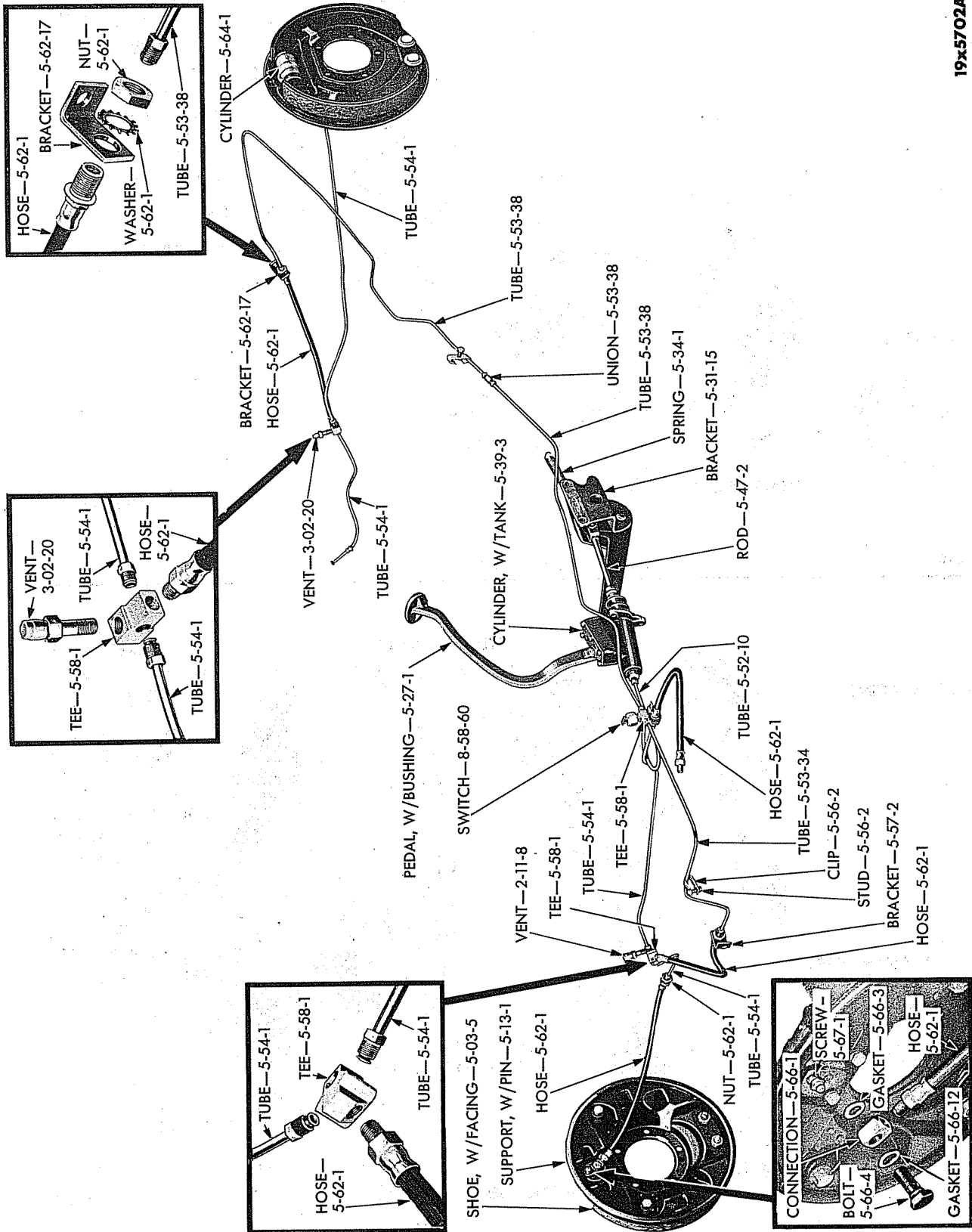


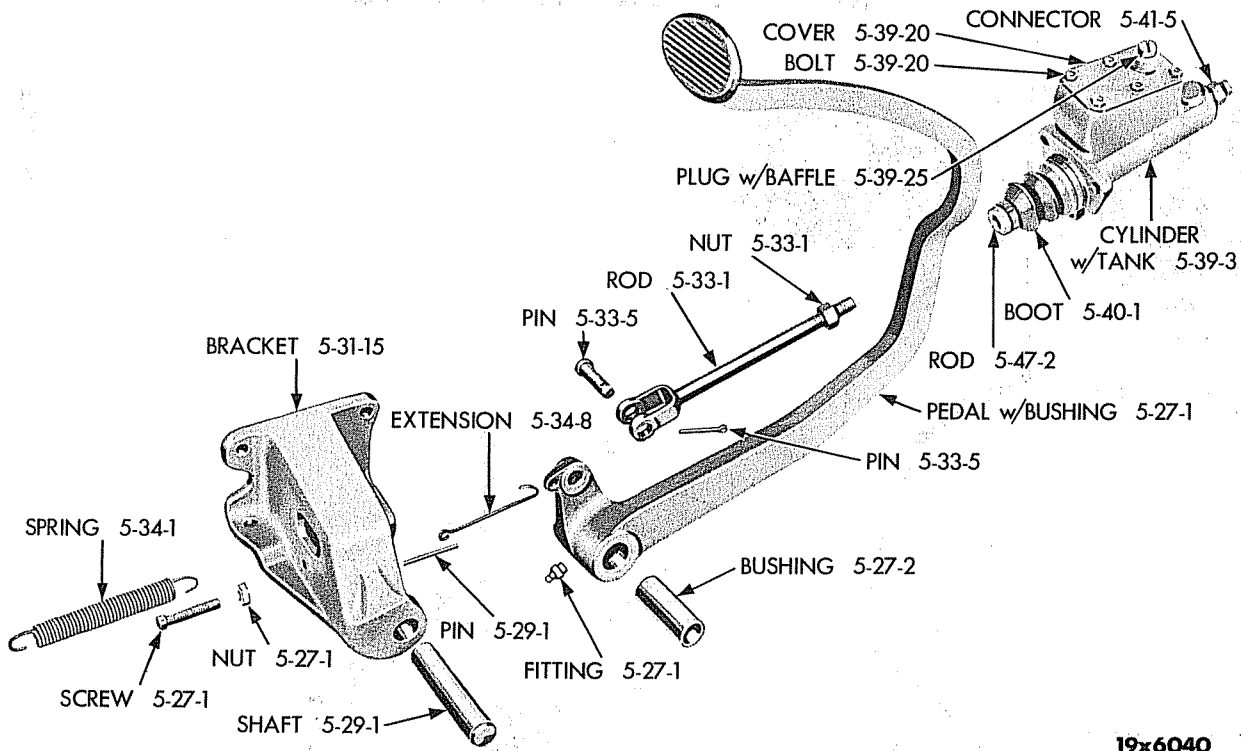
GROUP 5 - BRAKE - SERVICE

19x5702A



HYDRAULIC BRAKE SYSTEM

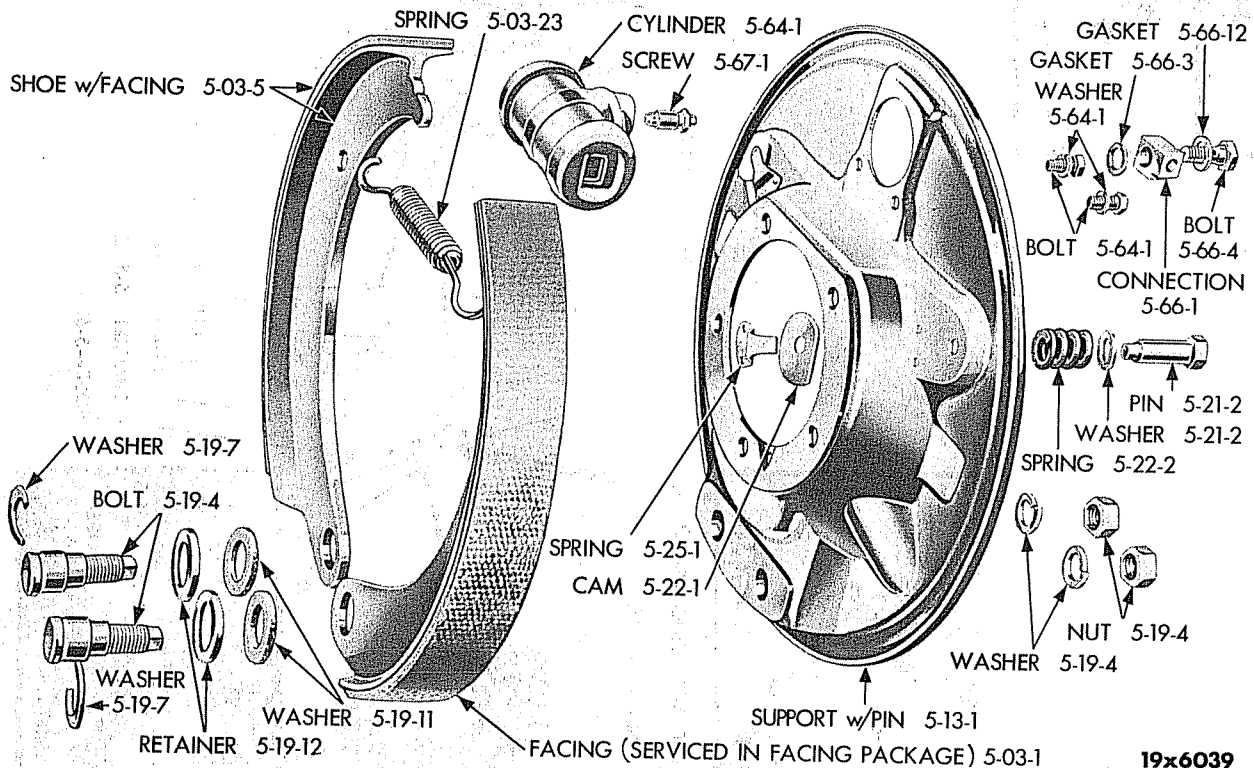
Plate 5-1



19x6040

Plate 5-2

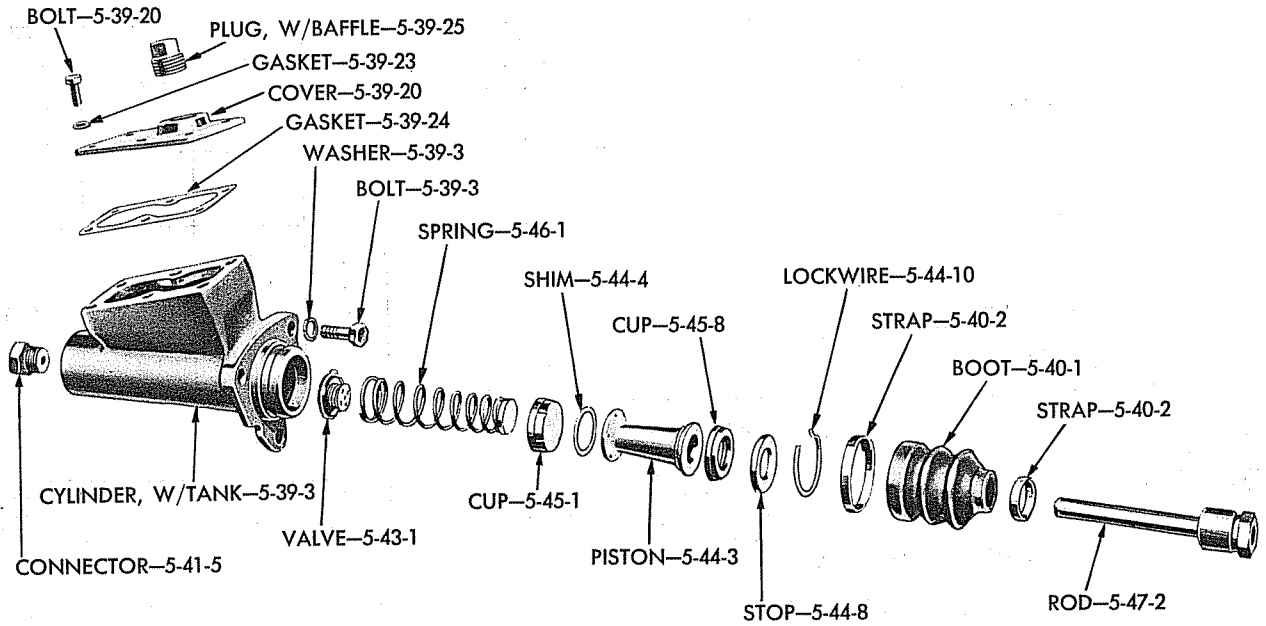
BRAKE PEDAL AND LINKAGE



19x6039

Plate 5-3

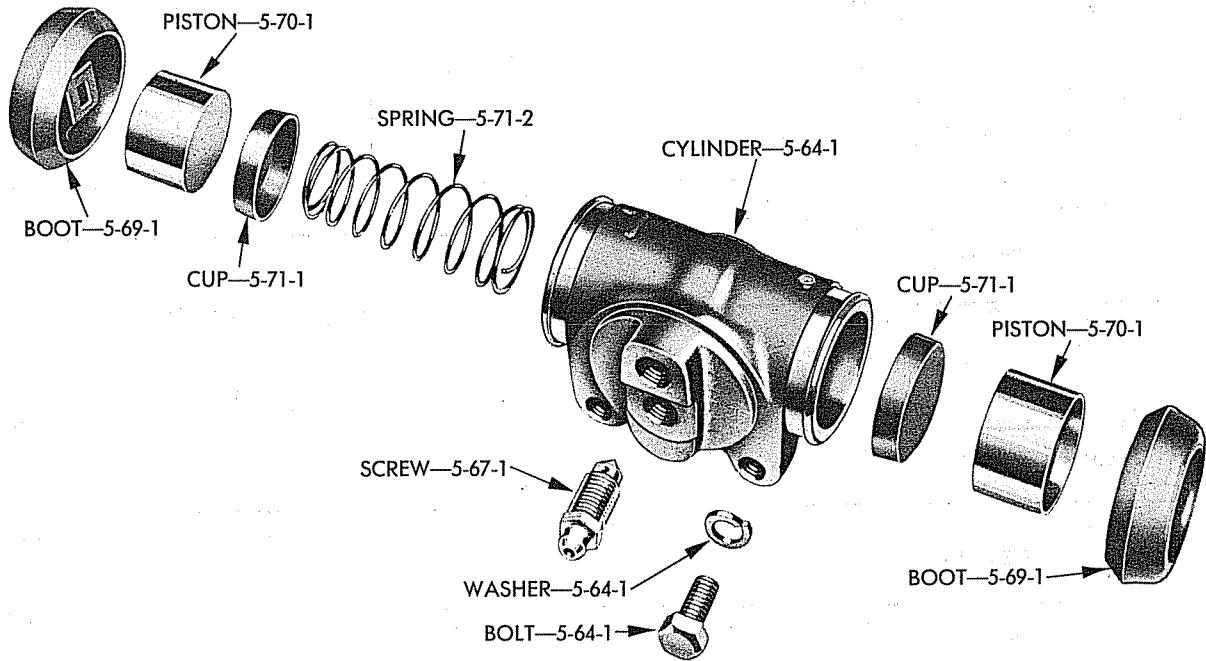
WHEEL BRAKE



19x6215

Plate 5-4

MASTER CYLINDER



19x6185

Plate 5-5

WHEEL CYLINDER

**POWER WAGON PARTS LIST**

**BRAKE - SERVICE**

CODE	PART NAME AND DESCRIPTION	B SERIES NO.	C SERIES NO.	MODEL CODES		PART NO.
				WDX	PW	
<b>5-01-0 HYDRAULIC BRAKE FLUID</b>						
5-01-2	FLUID (pint) . . . . .	-	-	★	★	1064 704
	(quart) . . . . .	-	-	★	★	1064 705
	(gallon) . . . . .	-	-	★	★	1064 706
	(5 gallon) . . . . .	-	-	★	★	1064 707
	(30 gallon) . . . . .	-	-	★	★	*1450 493
<b>5-03-0 BRAKE SHOE AND LINING</b>						
5-03-1	LINING PACKAGE (std.) . . . . .	-	-	2	2	E1321 191
	(.030" O/S) . . . . .	-	-	2	2	1321 192
5-03-5	SHOE, w/LINING (std.) . . . . .	-	-	8	8	*1270 798
	(.030" O/S) . . . . .	-	-	8	8	1270 799
5-03-6	SHOE, w/o Lining . . . . .	-	-	8	8	303 612
5-03-23	SPRING, Return . . . . .	-	-	4	4	303 615
<b>5-13-0 BRAKE SUPPORT AND ADJUSTING PIN</b>						
5-13-1	SUPPORT, w/PIN . . . . .	-	-	4	4	1188 757
	Rivet (rear support) . . . . .	-	-	10	10	104 131
<b>5-19-0 BRAKE SHOE ANCHOR BOLT</b>						
-19-4	BOLT . . . . .	-	-	8	8	537 899
	Nut . . . . .	-	-	8	8	121 358
	Washer, lock . . . . .	-	-	8	8	121 574
5-19-7	WASHER, "C" . . . . .	-	-	8	8	77 607
5-19-11	WASHER, Oil . . . . .	-	-	8	8	314 279
5-19-12	RETAINER, Oil Washer . . . . .	-	-	8	8	314 278
<b>5-21-0 BRAKE SHOE ADJUSTING PIN</b>						
5-21-2	PIN . . . . .	-	-	8	8	1092 517
	Washer, plain . . . . .	-	-	8	8	120 396
<b>5-22-0 BRAKE SHOE ADJUSTING CAM</b>						
5-22-1	CAM . . . . .	-	-	8	8	1262 832
5-22-2	SPRING . . . . .	-	-	8	8	1092 518
<b>5-25-0 BRAKE SHOE GUIDE SPRING</b>						
5-25-1	SPRING . . . . .	-	-	8	8	854 033
	Rivet . . . . .	-	-	16	16	104 068
<b>5-27-0 BRAKE PEDAL</b>						
5-27-1	PEDAL, w/BUSHING . . . . .	-	-	1	1	921 689
	Fitting, lubricant . . . . .	-	-	1	1	191 758
	Screw, 3/8"-16 x 1 3/4" . . . . .	-	-	1	1	134 582
	Nut . . . . .	-	-	1	1	120 377
5-27-2	BUSHING . . . . .	-	-	1	1	921 691
<b>5-28-0 BRAKE PEDAL PAD</b>						
5-28-1	PAD, Draft . . . . .	-	-	1	1	991 077
<b>5-29-0 BRAKE PEDAL SHAFT</b>						
5-29-1	SHAFT . . . . .	-	-	1	1	1190 402
	Pin, stght. . . . .	-	-	1	1	112 040

★ Indicates use as required

Prices and specifications subject to change without notice.

□ Indicates parts not listed in any previous parts books.

\* Indicates change or addition.

Series No. (1 indicates B-1 Series) (2 indicates B-2 Series) (3 indicates B-3 Series) (4 indicates B-4 Series)

Series No. (1 indicates C-1 Series) (3 indicates C-3 Series)

Where dash (-) is shown in Series Column Part is for All.

Printed in U.S.A.

CODE	PART NAME AND DESCRIPTION	B SERIES NO.	C SERIES NO.	MODEL CODES		PART NO.
				WDX	PW	
<b>5-31-0 BRAKE PEDAL BRACKET</b>						
5-31-15	BRACKET . . . . .	-	-	1	1	*1190 401
	Bolt, 3/8" - 24 x 1 1/4" . . . . .	-	-	3	3	* 181 639
	Bolt, 3/8" - 24 1 1/2" . . . . .	-	-	1	1	* 181 643
	Nut . . . . .	-	-	4	4	* 120 369
	Washer, lock . . . . .	-	-	4	4	* 120 382
<b>5-33-0 BRAKE PEDAL ROD</b>						
5-33-1	ROD, Pedal to Master Cylinder . . . . .	-	-	1	1	* 921 008
	Nut . . . . .	-	-	1	1	* 120 371
5-33-5	PIN, End . . . . .	-	-	1	1	* 657 929
	Pin, cotter . . . . .	-	-	1	1	* 108 630
<b>5-34-0 BRAKE PEDAL PULL-BACK SPRING</b>						
5-34-1	SPRING . . . . .	-	-	1	1	* 563 753
5-34-8	EXTENSION . . . . .	-	-	1	1	* 924 160
<b>5-36-0 BRAKE PEDAL PULL-BACK SPRING BRACKET</b>						
5-36-1	BRACKET . . . . .	-	-	1	1	* 921 838
	Bolt, 3/8" - 24 x 1" . . . . .	-	-	1	1	* 181 637
	Nut . . . . .	-	-	1	1	* 120 369
	Washer, lock . . . . .	-	-	1	1	* 120 382
<b>5-39-0 MASTER CYLINDER</b>						
5-39-1	CYLINDER PACKAGE . . . . .	-	-	1	1	* 939 796
	(w/o Piston) . . . . .	-	-	1	1	*1057 844
	(w/PISTON) . . . . .	-	-	1	1	* 920 817
5-39-3	CYLINDER, w/Supply TANK . . . . .	-	-	3	3	* 180 122
	Bolt, 3/8" - 16 x 1" . . . . .	-	-	3	3	* 138 489
	Washer, lock . . . . .	-	-	1	1	*1191 880
5-39-20	COVER . . . . .	-	-	6	6	* 180 016
	Bolt, 1/4" - 20 1/2" . . . . .	-	-	6	6	* 51 019
5-39-23	GASKET, Cover Screw . . . . .	-	-	1	1	* 622 865
5-39-24	GASKET, Cover . . . . .	-	-	1	1	* 620 342
5-39-25	PLUG, Cover w/BAFFLE . . . . .	-	-	1	1	
<b>5-40-0 MASTER CYLINDER BOOT</b>						
5-40-1	BOOT . . . . .	-	-	1	1	* 79 373
5-40-2	STRAP, Boot (large) . . . . .	-	-	1	1	* 79 361
	(small) . . . . .	-	-	1	1	* 79 363
<b>5-41-0 MASTER CYLINDER OUTLET CONNECTOR</b>						
5-41-5	CONNECTOR . . . . .	-	-	1	1	* 391 441
<b>5-43-0 MASTER CYLINDER VALVE</b>						
5-43-1	VALVE . . . . .	-	-	1	1	* 645 930
5-43-3	SPRING . . . . .	-	-	1	1	* 77 041
<b>5-44-0 MASTER CYLINDER PISTON</b>						
5-44-3	PISTON . . . . .	-	-	1	1	* 665 541
5-44-4	SHIM . . . . .	-	-	1	1	* 616 359
5-44-8	STOP . . . . .	-	-	1	1	* 79 364
5-44-10	LOCKWIRE . . . . .	-	-	1	1	* 79 376

★ Indicates use as required

□ Indicates parts not listed in any previous parts books.

Series No. (1 indicates B-1 Series) (2 indicates B-2 Series) (3 indicates B-3 Series) (4 indicates B-4 Series)

Part No. (1 indicates C-1 Series) (3 indicates C-3 Series)

Where dash (-) is shown in Series Column Part is for All.

Prices and specifications subject to change without notice.  
\* Indicates change or addition.

Printed in U.S.A.

April 30, 1956 Supersedes Jan. 30, 1953.

**POWER WAGON PARTS LIST**

**BRAKE-SERVICE**

CODE	PART NAME AND DESCRIPTION	B SERIES NO.	C SERIES NO.	MODEL CODES		PART NO.
				WDX	PW	
<b>5-45-0 MASTER CYLINDER PISTON CUP</b>						
5-45-1	CUP (solid center) . . . . .	-	-	1	1	* 77 043
5-45-8	CUP (open center) . . . . .	-	-	1	1	* 316 851
<b>5-46-0 MASTER CYLINDER PISTON RETURN SPRING</b>						
5-46-1	SPRING . . . . .	-	-	1	1	* 79 374
<b>5-47-0 MASTER CYLINDER PISTON PUSH ROD</b>						
5-47-2	ROD . . . . .	-	-	1	1	* 921 006
5-47-4	PIN, End . . . . .	-	-	1	1	* 657 929
	Pin, cotter . . . . .	-	-	1	1	* 119 209
<b>5-52-0 MASTER CYLINDER BRAKE TUBE</b>						
5-52-10	TUBE, Master Cylinder to Frame Tee . . . . .	-	-	1	1	* 861 823
	Nut . . . . .	-	-	2	2	* 137 398
	Master Cylinder to Booster Cylinder . . . . .	-	3	1	1	* 861 840
	Elbow . . . . .	-	3	1	1	* 137 422
	Nut . . . . .	-	3	2	2	* 137 398
5-52-11	PLUG, Master Cylinder to Frame Tee Tube w/Booster Brakes	-	3	1	1	E1393 573
<b>5-53-0 BRAKE FRAME TUBE</b>						
5-53-34	TUBE, Frame Tee to Front Hose Connection . . . . .	-	-	1	1	* 861 613
	Nut . . . . .	-	-	2	2	* 137 397
	TUBE, Frame Tee to Rear Hose Connection (front) . . . . .	-	-	1	1	* 861 619
	(rear) . . . . .	-	-	1	1	* 861 631
	Nut . . . . .	-	-	4	4	* 137 397
	Union . . . . .	-	-	1	1	* 137 413
<b>5-54-0 AXLE BRAKE TUBES</b>						
5-54-1	TUBE (right front) . . . . .	-	-	1	1	* 861 603
	(left front) . . . . .	-	-	1	1	* 861 613
	(right rear) . . . . .	-	-	1	1	* 861 608
	(left rear) . . . . .	-	-	1	1	* 861 620
	Nut . . . . .	-	-	8	8	* 137 397
<b>5-56-0 BRAKE TUBE CLIP</b>						
5-56-2	CLIP (front axle) . . . . .	-	-	2	2	* 925 081
	(rear axle) . . . . .	-	-	4	4	* 925 081
	Stud . . . . .	-	-	6	6	* 149 510
	Nut . . . . .	-	-	6	6	* 120 369
	Washer, lock . . . . .	-	-	6	6	* 120 382
<b>5-57-0 BRAKE TUBE BRACKET</b>						
5-57-2	BRACKET (on front axle housing) . . . . .	-	-	2	2	* 921 949
	Stud . . . . .	-	-	2	2	* 149 510
	Washer, lock . . . . .	-	-	2	2	* 120 382
	BRACKET (on engine front support) . . . . .	-	-	1	1	* 920 687
	Bolt, 3/8" - 24 x 1" . . . . .	-	-	1	1	* 181 637
	Nut . . . . .	-	-	1	1	* 120 369
	Washer, lock . . . . .	-	-	1	1	* 120 382
<b>5-58-0 BRAKE TUBE TEE</b>						
5-58-1	TEE, Frame Tube . . . . .	-	-	1	1	* 921 828
	Bolt, 5/16" - 24 x 1" . . . . .	-	-	1	1	* 181 608
	Nut . . . . .	-	-	1	1	* 120 368
	Washer, lock . . . . .	-	-	1	1	* 120 214

★ Indicates use as required

☐ Indicates parts not listed in any previous parts books.

Series No. (1 indicates B-1 Series) (2 indicates B-2 Series) (3 indicates B-3 Series) (4 indicates B-4 Series)  
 Series No. (1 indicates C-1 Series) (3 indicates C-3 Series)

Where dash (-) is shown in Series Column Part is for All.

Prices and specifications subject to change without notice.

\* Indicates change or addition.

CODE	PART NAME AND DESCRIPTION	B SERIES NO.	C SERIES NO.	MODEL CODES		PART NO.
				WDX	PW	
<b>5-58-0 BRAKE TUBE TEE - Cont'd</b>						
5-58-1	TEE, Front Axle Brake Tube . . . . .	-	-	1	1	* 926 201
	Rear Axle Brake Tube . . . . .	-	-	1	1	* 925 524
	Frame Brake Tube, Rear w/Booster Brake . . . . .		3		1	*1192 546
5-58-7	NUT, Front Axle Brake Tube Tee . . . . .	-	-	1	1	* 929 857
	Washer, lock . . . . .	-	-	1	1	* 120 383
<b>5-62-0 BRAKE FLEXIBLE HOSE</b>						
5-62-1	HOSE, Front Axle Brake Tube to Cylinder . . . . .	-	-	2	2	* 926 559
	Front Axle to Frame UP TO Ser. No. 83920901 . . . . .	1, 2	-	1	1	* 926 559
	AFTER Ser. No. 83920901 . . . . .	2, 3, 4	-	1	1	* 581 545
	Rear Axle Brake Tube . . . . .	-	-	1	1	* 599 879
	Nut . . . . .	-	-	4	4	* 145 013
	Washer, lock . . . . .	-	-	4	4	* 138 502
5-62-17	BRACKET, Rear Hose Union . . . . .	-	-	1	1	* 920 687
	Bolt, 3/8" - 24 x 1" . . . . .	-	-	1	1	* 181 637
	Nut . . . . .	-	-	1	1	* 120 369
	Washer, lock . . . . .	-	-	1	1	* 120 382
<b>5-63-0 WHEEL CYLINDER SERVICE PACKAGE</b>						
5-63-1	CYLINDER SERVICE PACKAGE . . . . .	-	-	4	4	*1311 039
<b>5-64-0 WHEEL CYLINDER</b>						
5-64-1	CYLINDER (front and rear, right) . . . . .	-	-	2	2	*1271 510
	(front and rear, left) . . . . .	-	-	2	2	*1271 511
	Bolt, 5/16" - 18 x 5/8" . . . . .	-	-	8	8	* 180 075
	Washer, lock . . . . .	-	-	8	8	* 120 214
5-64-4	PROTECTOR, Rear Wheel Cylinder . . . . .	-	-	2	2	* 584 620
	Bolt, 5/16" - 18 x 1 1/4" . . . . .	-	-	2	2	* 180 081
<b>5-66-0 WHEEL CYLINDER INLET CONNECTION</b>						
5-66-1	CONNECTION (front) . . . . .	-	-	2	2	* 924 644
	(rear) . . . . .	-	-	2	2	* 306 292
5-66-3	GASKET . . . . .	-	-	4	4	*1406 748
5-66-4	BOLT . . . . .	-	-	4	4	* 79 193
5-66-12	GASKET, Bolt . . . . .	-	-	4	4	* 857 309
<b>5-67-0 WHEEL CYLINDER BLEEDER SCREW</b>						
5-67-1	SCREW . . . . .	-	-	4	4	*1263 929
<b>5-69-0 WHEEL CYLINDER BOOT</b>						
5-69-1	BOOT . . . . .	-	-	8	8	*1263 652
<b>5-70-0 WHEEL CYLINDER PISTON</b>						
5-70-1	PISTON (front and rear wheel, front) . . . . .	-	-	4	4	*1271 412
	(front and rear wheel, rear) . . . . .	-	-	4	4	*1271 407
<b>5-71-0 WHEEL CYLINDER PISTON CUP</b>						
5-71-1	CUP (front and rear wheel, front) . . . . .	-	-	4	4	* 77 526
	(front and rear wheel, rear) . . . . .	-	-	4	4	* 77 838
5-71-2	SPRING . . . . .	-	-	4	4	* 634 634
<b>5-72-0 WHEEL CYLINDER PISTON CUP EXPANDER</b>						
5-72-1	EXPANDER (front and rear wheel, front) . . . . .	-	-	4	4	* 634 637
	(front and rear wheel, rear) . . . . .	-	-	4	4	* 634 638

★ Indicates use as required

☐ Indicates parts not listed in any previous parts books.

Series No. (1 indicates B-1 Series) (2 indicates B-2 Series) (3 indicates B-3 Series) (4 indicates B-4 Series)

Series No. (1 indicates C-1 Series) (3 indicates C-3 Series)

Where dash (-) is shown in Series Column Part is for All.

Prices and specifications subject to change without notice.

\* Indicates change or addition.

Printed in U.S.A.

**POWER WAGON PARTS LIST**

**BRAKE-SERVICE**

CODE	PART NAME AND DESCRIPTION	B SERIES NO.	C SERIES NO.	MODEL CODES		PART NO.
				WDX	PW	
<b>5-100-0 BOOSTER CYLINDER OVERHAUL KIT</b>						
5-100-1	OVERHAUL KIT . . . . .		3		1	E1316 230
	REPAIR KIT . . . . .		3		1	E1316 233
5-100-2	CYLINDER, Booster . . . . .		3		1	*1266 032
	Screw, 7/16"-20 x 1" . . . . .		3		3	* 181 666
	Washer, lock . . . . .		3		3	* 120 383
5-100-4	DIAPHRAGM, w/Pressure PLATE . . . . .		3		1	*1267 503
5-100-9	BODY, Vacuum Chamber (front half) . . . . .		3		1	*1267 500
5-100-10	BODY, Vacuum Chamber (rear half) . . . . .		3		1	*1267 501
	Plug, Pipe . . . . .		3		1	* 112 304
5-100-11	STRAP, Vacuum Chamber Body Clamp . . . . .		3		1	*1267 502
	Bolt, 1/4" - 28 x 2" . . . . .		3		1	* 422 422
	Nut . . . . .		3		1	* 120 367
5-100-12	BODY, Slave Cylinder . . . . .		3		1	*1267 506
	Screw, 3/8" - 16 x 1" . . . . .		3		5	* 180 122
	Washer, lock . . . . .		3		5	* 120 382
5-100-15	SPRING, Diaphragm Return . . . . .		3		1	*1267 505
5-100-16	WASHER, Diaphragm Return Spring . . . . .		3		1	*1191 146
5-100-17	GASKET, Vacuum Chamber Body to Slave Cylinder . . . . .		3		1	*1191 148
5-100-18	BUSHING, Piston Push Rod . . . . .		3		1	*1267 507
5-100-19	SEAL, Piston Push Rod (front) . . . . .		3		1	*1191 150
	(rear) . . . . .		3		1	*1191 151
5-100-20	ROD, Piston Push . . . . .		3		1	*1267 504
	Nut, lock . . . . .		3		1	* 126 022
5-100-30	COLLAR, Piston Push Rod . . . . .		3		1	*1267 560
5-100-31	SNAP RING, Piston Push Rod . . . . .		3		1	*1191 144
5-100-32	RETAINER, Piston Push Rod Rear Seal . . . . .		3		1	*1267 508
5-100-33	PISTON, Slave Cylinder . . . . .		3		1	*1267 509
5-100-43	CUP, Slave Cylinder Piston . . . . .		3		1	*1267 510
5-100-44	SPRING, Slave Cylinder Piston Return . . . . .		3		1	*1267 511
5-100-45	RETAINER, Slave Cylinder Piston Cup Return Spring . . . . .		3		1	*1267 512
5-100-52	PLUG, Slave Cylinder End . . . . .		3		1	*1267 513
5-100-53	WASHER, Slave Cylinder End Plug . . . . .		3		1	*1191 159
5-100-54	SCREW, Slave Cylinder Bleeder . . . . .		3		1	*1263 929
5-100-56	GASKET, Piston Push Rod Rear Seal Retainer . . . . .		3		1	*1191 153
5-100-76	SNAP RING, Slave Cylinder Piston . . . . .		3		1	*1260 904
5-100-84	VALVE, Slave Cylinder Piston Hydraulic . . . . .		3		1	*1260 906
5-100-85	SPRING, Slave Cylinder Piston Valve Return . . . . .		3		1	*1260 905
5-100-93	ADAPTER, Slave Cylinder Tube Fitting . . . . .		3		2	E1507 972
5-100-94	GASKET, Slave Cylinder Tube Fitting Adapter . . . . .		3		2	E1507 973
<b>5-101-0 BOOSTER BRAKE CYLINDER MOUNTING BRACKET</b>						
5-101-1	BRACKET, Mounting . . . . .		3		1	E1392 216
	Bolt, 3/8" - 24 x 1 1/4" . . . . .		3		3	* 181 639
	Nut . . . . .		3		3	* 120 369
	Washer, lock . . . . .		3		3	* 120 382
	Washer, plain . . . . .		3		3	* 120 394
<b>5-103-0 BOOSTER CYLINDER VACUUM VALVE BODY</b>						
5-103-3	BODY, Vacuum Valve . . . . .		3		1	*1191 161
	Bolt, 1/4" - 28 x 1 1/4" . . . . .		3		2	* 181 573
	Screw 1/4" - 20 x 5/8" . . . . .		3		4	* 180 018
	Nut . . . . .		3		2	* 120 367
	Washer, lock . . . . .		3		6	* 121 753
5-103-4	COVER, Vacuum Valve . . . . .		3		1	*1191 162
	Screw, 1/4" - 20 x 5/8" . . . . .		3		3	* 180 018
	Washer, lock . . . . .		3		3	* 121 753
5-103-7	GASKET, Vacuum Valve . . . . .		3		1	*1191 163
5-103-8	PLUNGER, Vacuum Valve, w/PISTON . . . . .		3		1	*1262 844

★ Indicates use as required

□ Indicates parts not listed in any previous parts books.

Series No. (1 indicates B-1 Series) (2 indicates B-2 Series) (3 indicates B-3 Series) (4 indicates B-4 Series)

Series No. (1 indicates C-1 Series) (3 indicates C-3 Series)

Where dash (-) is shown in Series Column Part is for All.

Prices and specifications subject to change without notice.

\* Indicates change or addition.

Printed in U.S.A.



CODE	PART NAME AND DESCRIPTION	B SERIES NO.	C SERIES NO.	MODEL CODES		PART NO.
				WDX	PW	
<b>5-103-0 BOOSTER CYLINDER VACUUM VALVE - Cont'd</b>						
5-103-9	SEAL, Vacuum Valve Plunger and Piston . . . . .		3		1	*1191 165
5-103-13	DIAPHRAGM, Vacuum Valve . . . . .		3		1	*1191 166
5-103-14	WASHER, Vacuum Valve Diaphragm (large) . . . . .		3		1	*1191 168
	(small) . . . . .		3		1	*1191 167
5-103-23	NUT, Vacuum Valve Diaphragm Washer . . . . .		3		1	*1191 169
5-103-24	DISC, Vacuum Valve . . . . .		3		1	*1191 171
5-103-27	SPRING, Vacuum Valve Disc . . . . .		3		1	*1191 172
5-103-28	SPRING, Vacuum Valve Diaphragm Return . . . . .		3		1	*1191 170
<b>5-105-0 BOOSTER BRAKE CHECK VALVE</b>						
5-105-1	VALVE, Check . . . . .		3		1	* 589 347
5-105-4	GASKET, Check Valve to Cylinder Tube . . . . .		3		2	*1193 156
<b>5-107-0 BOOSTER CYLINDER TO FRAME TEE TUBE</b>						
5-107-4	TUBE, Cylinder to Frame Tee . . . . .		3		1	* 861 820
	Connector . . . . .		3		1	* 137 406
	Nut . . . . .		3		2	* 137 398
5-107-10	TUBE, Vacuum Valve to Vacuum Chamber . . . . .		3		1	*1267 514
	Elbow . . . . .		3		2	* 137 425
5-107-17	TUBE, Check Valve to Cylinder (w/o rear tail shaft drive) . . . . .		3		1	E1392 200
	(w/rear tail shaft drive) . . . . .		3		1	E1506 606
	Connector . . . . .		3		1	* 143 426
	Elbow . . . . .		3		1	* 137 425
	Nut . . . . .		3		2	* 137 401
5-107-18	TUBE, Manifold to Booster Check Valve . . . . .		3		1	E1392 199
	Elbow (manifold end) . . . . .		3		1	* 188 947
	(check valve end) . . . . .		3		1	* 137 425
	Nut . . . . .		3		2	* 137 401
5-107-19	GASKET, Manifold to Check Valve Tube . . . . .		3		2	*1193 156
<b>5-111-0 BOOSTER TO BREATHER AIR CLEANER HOSE</b>						
5-111-6	HOSE, to Breather Air Cleaner (w/rear tail shaft drive) . . . . .		3		1	E1506 366
	(w/o rear tail shaft drive specify 14" of 1315 466 hose) . . . . .		3		1	-----
	Bushing, Hose Nipple Reducer . . . . .		3		1	* 120 322
<b>5-113-0 BOOSTER BREATHER AIR CLEANER</b>						
5-113-5	AIR CLEANER, Breather . . . . .		3		1	*1567 788
	Elbow, street . . . . .		3		1	* 120 145
	Nipple, pipe . . . . .		3		1	* 120 460
	Washer, plain . . . . .		3		1	* 446 248
5-113-7	NUT, Breather Air Cleaner Lock . . . . .		3		1	*1566 965
5-113-8	GASKET, Breather Air Cleaner . . . . .		3		1	*1392 964

NOTES

---



---



---



---



---



---



---



---

★ Indicates use as required Prices and specifications subject to change without notice.  
 E Indicates parts not listed in any previous parts books. \* Indicates change or addition.  
 Series No. (1 indicates B-1 Series) (2 indicates B-2 Series) (3 indicates B-3 Series) (4 indicates B-4 Series)  
 Series No. (1 indicates C-1 Series) (3 indicates C-3 Series)  
 Where dash (-) is shown in Series Column Part is for All. Page 5-9 Printed in U.S.A. April 30, 1956.

