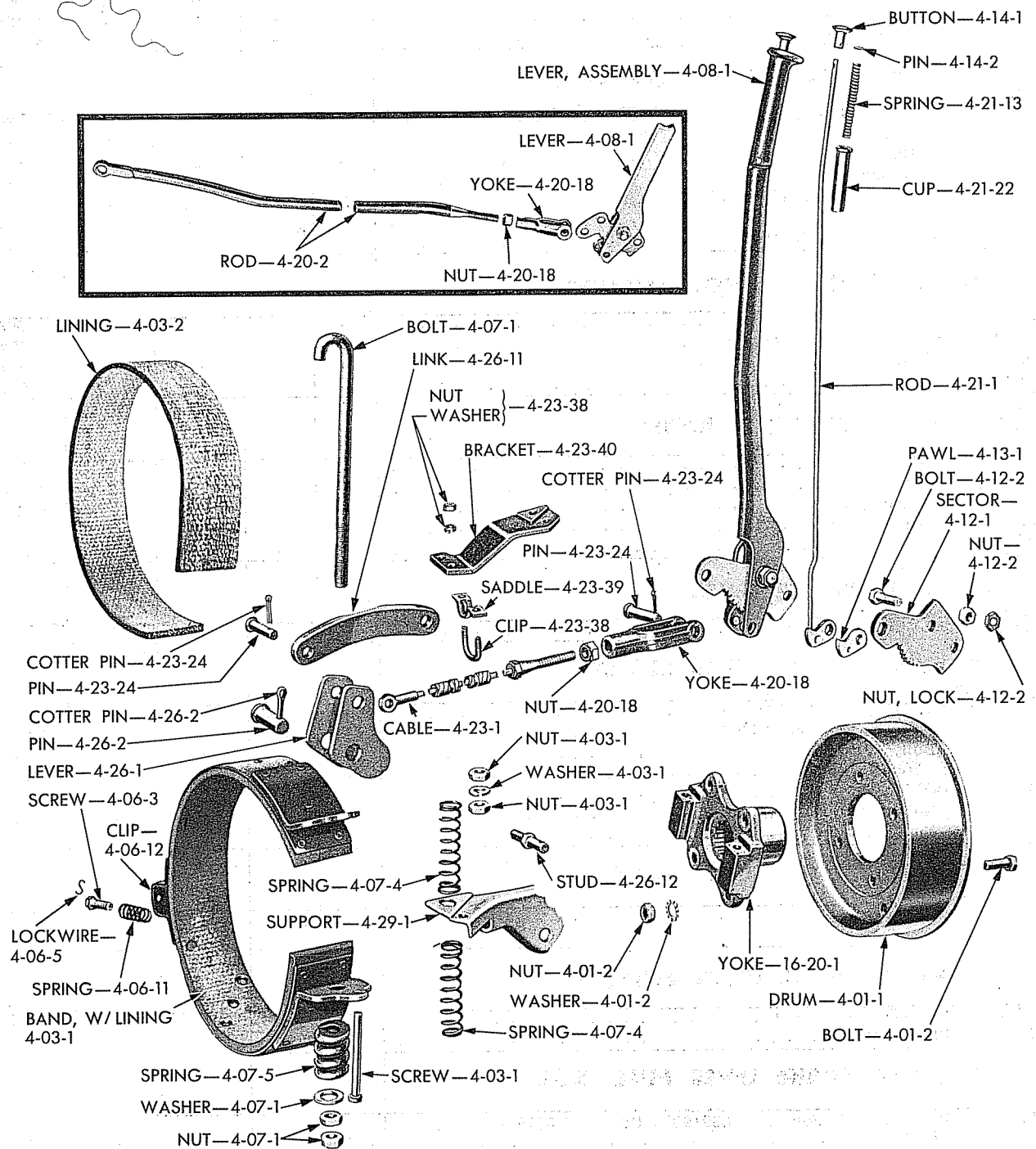


GROUP 4 - BRAKE-HAND



19x6182

POWER WAGON PARTS LIST

BRAKE - HAND

CODE	PART NAME AND DESCRIPTION	B SERIES NO.	C SERIES NO.	MODEL CODES		PART NO.
				WDX	PW	
4-01-0 HAND BRAKE DRUM						
4-01-1	DRUM	-	-	1	1	*1264 776
4-01-2	BOLT, Drum	-	-	4	4	* 590 140
	Nut	-	-	4	4	* 125 913
	Washer, lock	-	-	4	4	* 138 489
4-03-0 HAND BRAKE BAND OR SHOE						
4-03-1	BAND, w/LINING	-	-	1	1	* 586 888
	Screw or Bolt, 1/4"-20 x 2 1/2"	-	-	1	1	* 132 300
	Nut	-	-	2	2	* 120 375
	Washer, lock	-	-	1	1	* 120 380
4-03-2	LINING (specify 24" of 396 396 Lining)	★	★	★	★	----
	Rivet	-	-	18	18	* 104 168
4-03-7	RIVET, Band Bracket	-	-	12	12	* 921 546
4-06-0 HAND BRAKE SHOE ANCHOR						
4-06-3	SCREW, Clip	-	-	1	1	* 596 694
4-06-5	LOCKWIRE, Clip Screw	-	-	1	1	* 572 551
4-06-11	SPRING, Clip	-	-	1	1	* 517 384
4-06-12	CLIP	-	-	1	1	* 517 284
4-07-0 HAND BRAKE ADJUSTER						
4-07-1	BOLT	-	-	1	1	* 517 382
	Nut	-	-	2	2	* 271 501
	Washer, plain	-	-	1	1	* 120 395
4-07-4	SPRING, Bolt	-	-	2	2	* 566 729
4-07-5	SPRING, Operating	-	-	1	1	* 580 050
4-08-0 HAND BRAKE LEVER						
4-08-1	LEVER, Complete	-	-	1	1	* 921 856
4-12-0 HAND BRAKE LEVER SECTOR						
4-12-1	SECTOR, UP TO Ser. No. 83949001,	-	-	1	1	* 921 858
	AFTER Ser. No. 83949001,	-	3			E1391 400
	Bolt, 3/8"-16 x 2 1/2"	-	-	2	2	* 180 134
	Washer, lock	-	-	2	2	* 120 382
4-12-2	BOLT	-	-	1	1	* 913 829
	Nut	-	-	1	1	* 124 925
	Nut	-	-	1	1	* 107 823
4-13-0 HAND BRAKE LEVER PAWL						
4-13-1	PAWL	-	-	1	1	* 564 298
4-14-0 HAND BRAKE LEVER BUTTON						
4-14-1	BUTTON, Pawl Rod	-	-	1	1	* 536 802
4-14-2	PIN, Button	-	-	1	1	* 320 878
4-20-0 HAND BRAKE LEVER PULL ROD						
4-20-2	ROD (AFTER Ser. No. 83919836 Det. and 88766179 S.L. Built).	2, 3, 4	-	1	1	*1271 295
4-20-18	YOKE	-	-	1	1	* 580 734
	Nut	-	-	1	1	* 271 506

★ Indicates use as required

Prices and specifications subject to change without notice.

□ Indicates parts not listed in any previous parts books.

* Indicates change or addition.

Series No. (1 indicates B-1 Series) (2 indicates B-2 Series) (3 indicates B-3 Series) (4 indicates B-4 Series)

Series No. (1 indicates C-1 Series) (3 indicates C-3 Series)

Printed in U.S.A.

Where dash (-) is shown in Series Column Part is for All.

April 30, 1956 Supersedes Jan. 30, 1953.

CODE	PART NAME AND DESCRIPTION	B SERIES NO.	C SERIES NO.	MODEL CODES		PART NO.
				WDX	PW	
4-21-0 HAND BRAKE LEVER PAWL ROD						
4-21-1	ROD	-	-	1	1	* 579 693
4-21-13	SPRING, Rod	-	-	1	1	* 536 800
4-21-22	CUP, Rod Spring	-	-	1	1	* 536 801
4-23-0 HAND BRAKE CONTROL CABLE						
4-23-1	CABLE, w/YOKE (UP TO Ser. No. 83919836 Det. and 88766179 S.L. Built)	1,2	-	1	1	* 926 681
4-23-24	PIN, Clevis, Front	-	-	1	1	* 578 648
	Rear	-	-	1	1	* 556 906
	Pin, cotter	-	-	2	2	* 103 373
4-23-38	CLIP, to Frame (UP TO SER.NO. 83919836 Det. and 88766179 S.L. Built)	1,2	-	1	1	* 927 003
	Nut	1,2	-	4	4	* 120 368
	Washer, lock	1,2	-	4	4	* 120 214
4-23-39	SADDLE, to Frame Clip (UP TO Ser.No. 83919836 Det. and 88766179 S.L. Built)	1,2	-	1	1	*1088 189
4-23-40	BRACKET, Clip, Front (UP TO Ser. No. 83919836 Det. and 88766179 S.L. Built)	1,2	-	1	1	*1188 232
	Bolt, 1/4"-28 x 1"	1,2	-	1	1	* 181 568
	Bolt, 3/8"-24 x 1"	1,2	-	1	1	* 181 637
	Nut	1,2	-	1	1	* 120 367
	Nut	1,2	-	1	1	* 120 369
	Washer, lock	1,2	-	1	1	* 120 380
	Washer, lock	1,2	-	1	1	* 120 382
	Washer, plain	1,2	-	1	1	* 120 394
4-26-0 HAND BRAKE CAM LEVER						
4-26-1	LEVER	-	-	1	1	* 556 908
4-26-2	PIN, Clevis	-	-	1	1	* 657 929
	Pin, cotter	-	-	1	1	* 103 396
4-26-11	LINK, Spacer	-	-	1	1	* 921 861
4-26-12	STUD, Spacer Link	-	-	1	1	* 588 986
	Nut	-	-	1	1	* 120 369
	Pin, cotter	-	-	1	1	* 103 373
	Washer, lock	-	-	1	1	* 120 382
4-29-0 HAND BRAKE SUPPORT						
4-29-1	SUPPORT	-	-	1	1	* 927 388
	Stud	-	-	5	5	* 113 247
	Nut	-	-	5	5	* 120 369
	Washer, lock	-	-	5	5	* 120 382
4-29-2	GASKET, Support	-	-	1	1	* 927 393

NOTES

★ Indicates use as required

☐ Indicates parts not listed in any previous parts books.

Series No. (1 indicates B-1 Series) (2 indicates B-2 Series) (3 indicates B-3 Series) (4 indicates B-4 Series)

Series No. (1 indicates C-1 Series) (3 indicates C-3 Series)

Where dash (-) is shown in Series Column Part is for All.

Prices and specifications subject to change without notice.

* Indicates change or addition.

Printed in U.S.A.

