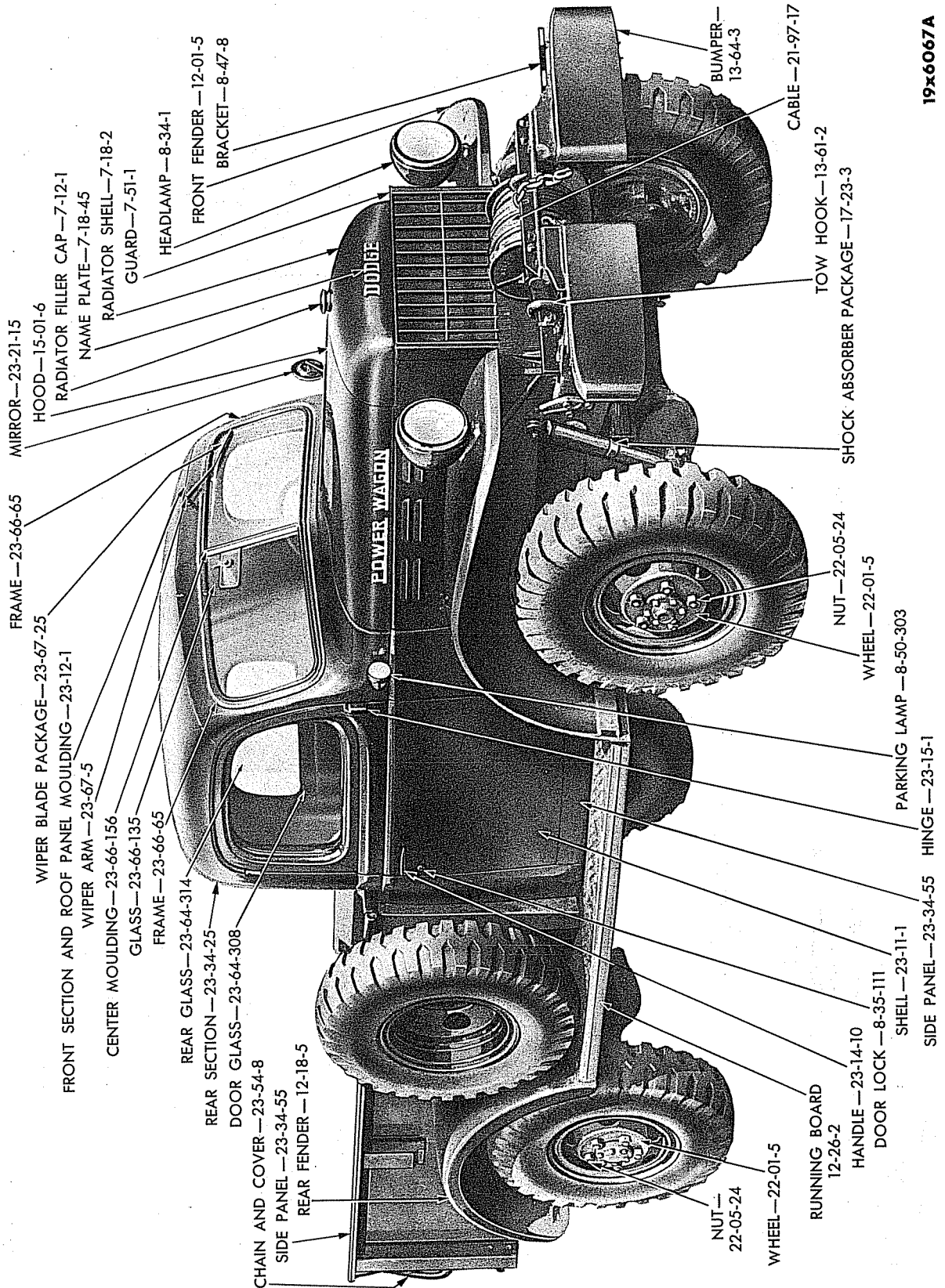


GROUP 23 - BODY



MIRROR—23-21-15
 HOOD—15-01-6
 RADIATOR FILLER CAP—7-12-1
 NAME PLATE—7-18-45
 RADIATOR SHELL—7-18-2
 GUARD—7-51-1
 HEADLAMP—8-34-1
 FRONT FENDER—12-01-5
 BRACKET—8-47-8
 FRAME—23-66-65
 WIPER BLADE PACKAGE—23-67-25
 FRONT SECTION AND ROOF PANEL MOLDING—23-12-1
 WIPER ARM—23-67-5
 CENTER MOLDING—23-66-156
 GLASS—23-66-135
 FRAME—23-66-65
 REAR GLASS—23-64-314
 REAR SECTION—23-34-25
 DOOR GLASS—23-64-308
 CHAIN AND COVER—23-54-8
 SIDE PANEL—23-34-55
 REAR FENDER—12-18-5

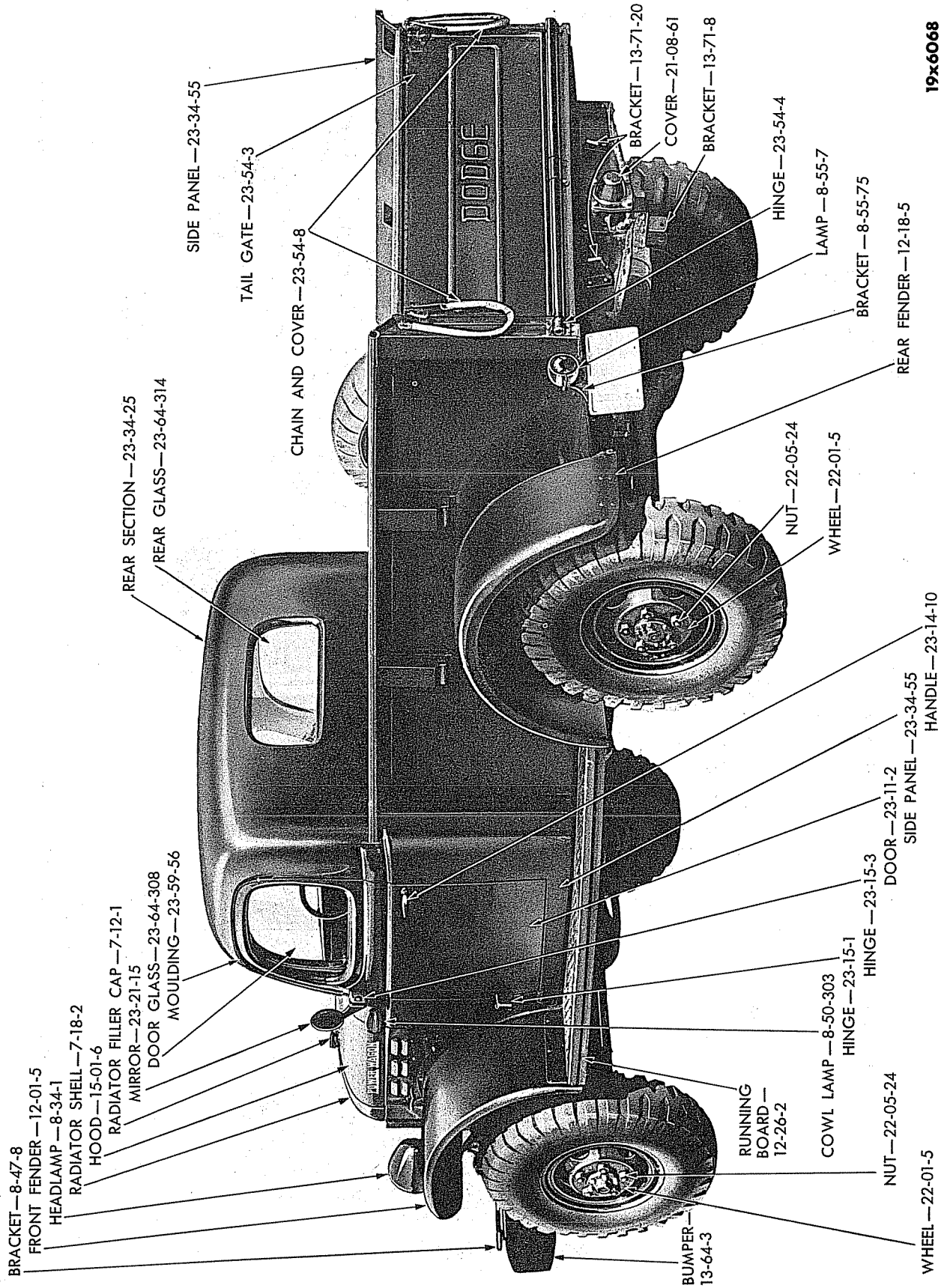
DODGE
 POWER WAGON
 BUMPER—13-64-3
 CABLE—21-97-17
 TOW HOOK—13-61-2
 SHOCK ABSORBER PACKAGE—17-23-3
 NUT—22-05-24
 WHEEL—22-01-5
 WHEEL—22-05-24
 PARKING LAMP—8-50-303
 SIDE PANEL—23-34-55
 HINGE—23-15-1
 RUNNING BOARD
 12-26-2
 HANDLE—23-14-10
 DOOR LOCK—8-35-111
 SHELL—23-11-1
 NUT—22-05-24
 WHEEL—22-01-5

19x6067A

FRONT EXTERIOR

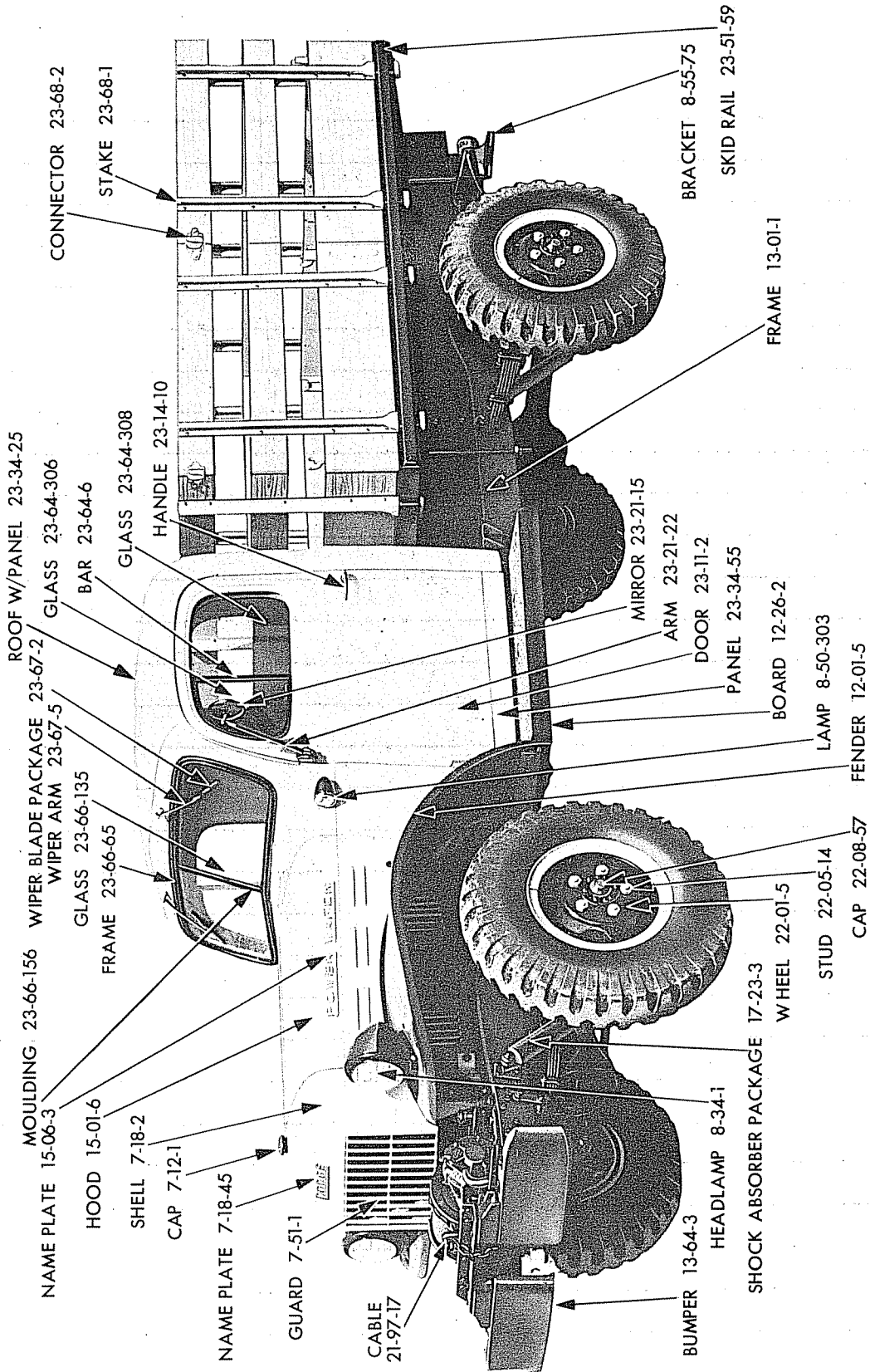
Plate 23-1

POWER WAGON PARTS LIST



REAR EXTERIOR

Plate 23-2



ROOF W/PANEL 23-34-25

MOULDING 23-66-156

WIPER BLADE PACKAGE 23-67-2

WIPER ARM 23-67-5

GLASS 23-66-135

FRAME 23-66-65

HOOD 15-01-6

SHELL 7-18-2

CAP 7-12-1

NAME PLATE 7-18-45

GUARD 7-51-1

CABLE 21-97-17

BUMPER 13-64-3

HEADLAMP 8-34-1

SHOCK ABSORBER PACKAGE 17-23-3

WHEEL 22-01-5

STUD 22-05-14

CAP 22-08-57

GLASS 23-64-306

BAR 23-64-6

GLASS 23-64-308

HANDLE 23-14-10

CONNECTOR 23-68-2

STAKE 23-68-1

MIRROR 23-21-15

ARM 23-21-22

DOOR 23-11-2

PANEL 23-34-55

BOARD 12-26-2

LAMP 8-50-303

FENDER 12-01-5

MIRROR 23-21-15

ARM 23-21-22

DOOR 23-11-2

PANEL 23-34-55

BOARD 12-26-2

LAMP 8-50-303

FENDER 12-01-5

BRACKET 8-55-75

SKID RAIL 23-51-59

FRAME 13-01-1

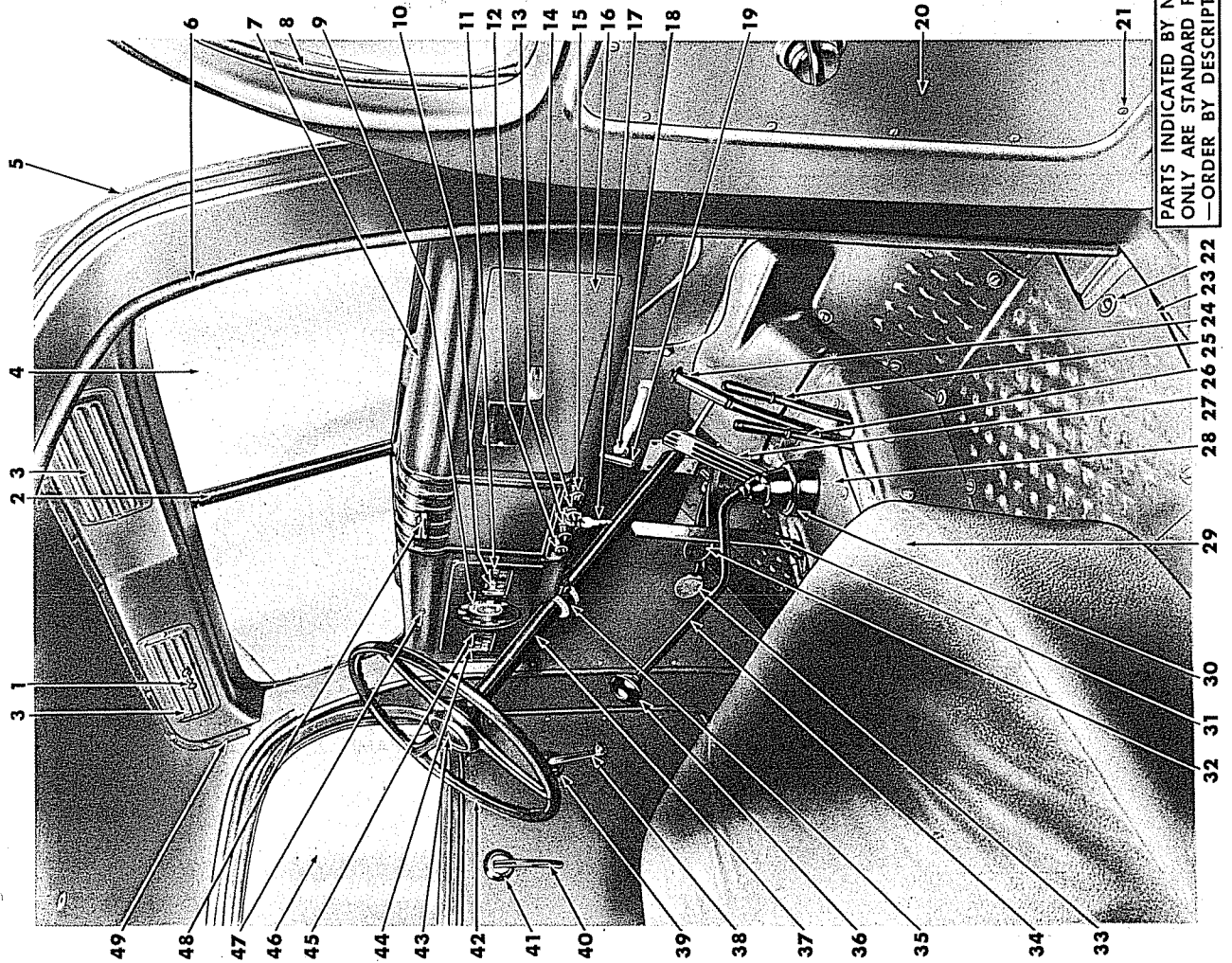
19x6999

STAKE AND PLATFORM

Plate 23-2A

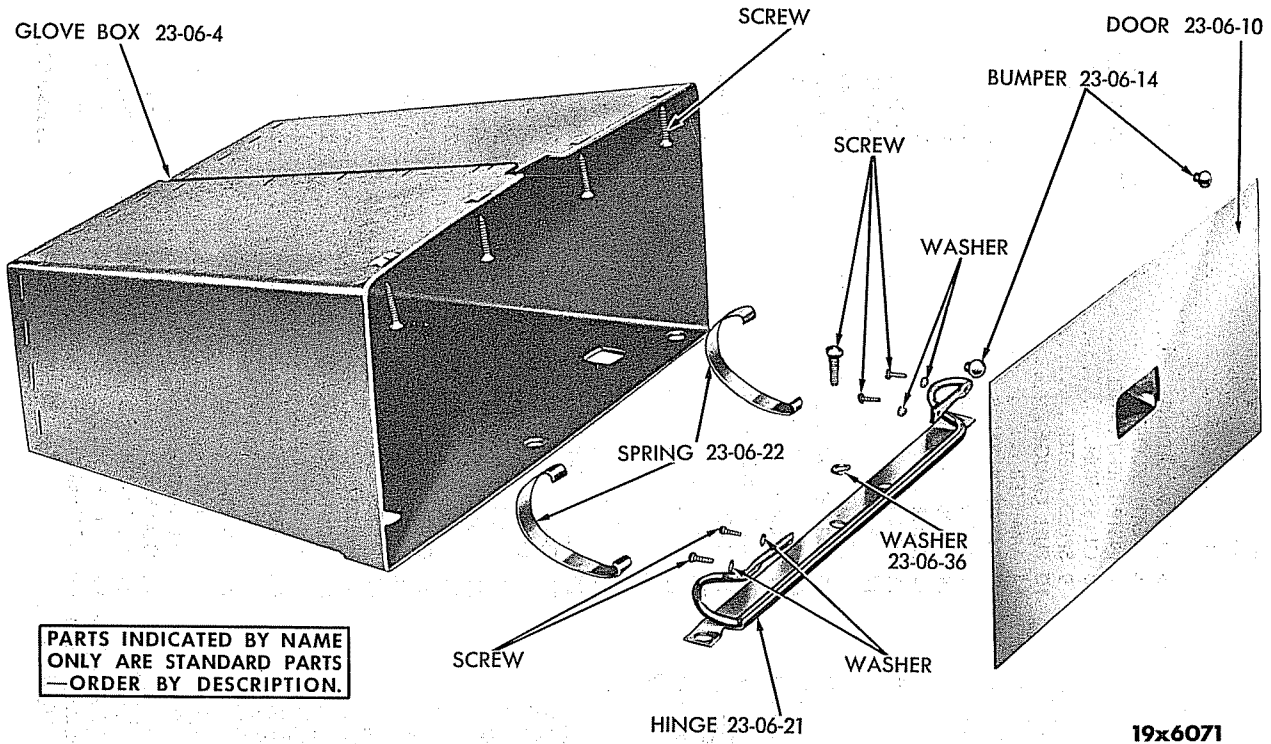
REF. NO.	NAME	PART TYPE CODE
1	KNOB	23-67-194
2	MOULDING	23-66-156
3	PLATE	23-34-361
4	GLASS	23-66-135
5	DRIP MOULDING	23-59-56
6	WEATHERCORD	23-113-3
7	INSTRUMENT PANEL	(NOT SERVICED)
8	GLASS RUN	23-42-16
9	SPEEDOMETER	8-37-372
10	FUEL GAUGE	8-37-275
11	AMMETER	8-37-1
12	CONTROL KNOB	8-53-296
13	KNOB AND WIRE	14-63-2
14	KNOB AND WIRE	14-24-2
15	KNOB	8-53-225
16	DOOR	23-06-10
17	KEY	8-35-121
18	PEDAL	8-52-457
19	RATCHET AND BRACE	23-61-73
20	TRIM PANEL	23-92-5
21	SCREW	
22	BOLT AND WASHER	
23	PLATE	23-04-3
24	LEVER	4-08-1
25	LEVER	21-101-1
26	LEVER	21-101-1
27	PEDAL	14-01-1
28	COVER	23-04-103
29	SEAT CUSHION	23-108-4
30	CAP	21-30-109
31	LEVER	21-08-7
32	PEDAL	5-27-1
33	CLUTCH PEDAL	6-38-2
34	LEVER	21-30-2
35	CLAMP	19-14-35
36	KNOB	21-30-6
37	JACKET	19-14-1
38	HANDLE	23-14-18
39	ESCUTCHEON	23-14-19
40	HANDLE	23-14-27
41	ESCUTCHEON	23-14-19
42	STEERING WHEEL	19-30-4
43	BUTTON	8-33-41
44	GAUGE	8-37-136
45	OIL GAUGE	8-37-316
46	GLASS	23-64-308
47	INDICATOR AND JEWEL	8-39-3
48	HANDLE	23-14-132
49	RETAINER	23-86-24

19x5673C



PARTS INDICATED BY NAME
 ONLY ARE STANDARD PARTS
 —ORDER BY DESCRIPTION.

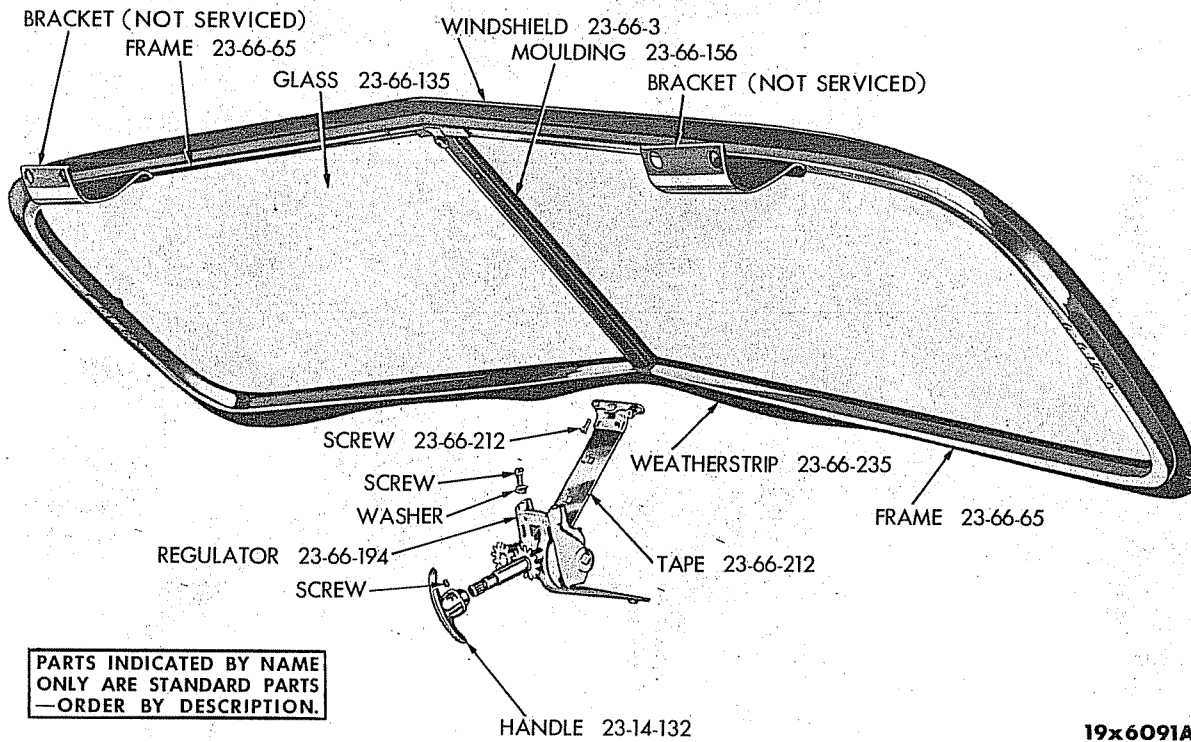
CAB (INTERIOR VIEW)



PARTS INDICATED BY NAME
ONLY ARE STANDARD PARTS
—ORDER BY DESCRIPTION.

Plate 23-4

GLOVE BOX



PARTS INDICATED BY NAME
ONLY ARE STANDARD PARTS
—ORDER BY DESCRIPTION.

Plate 23-5

WINDSHIELD AND REGULATOR

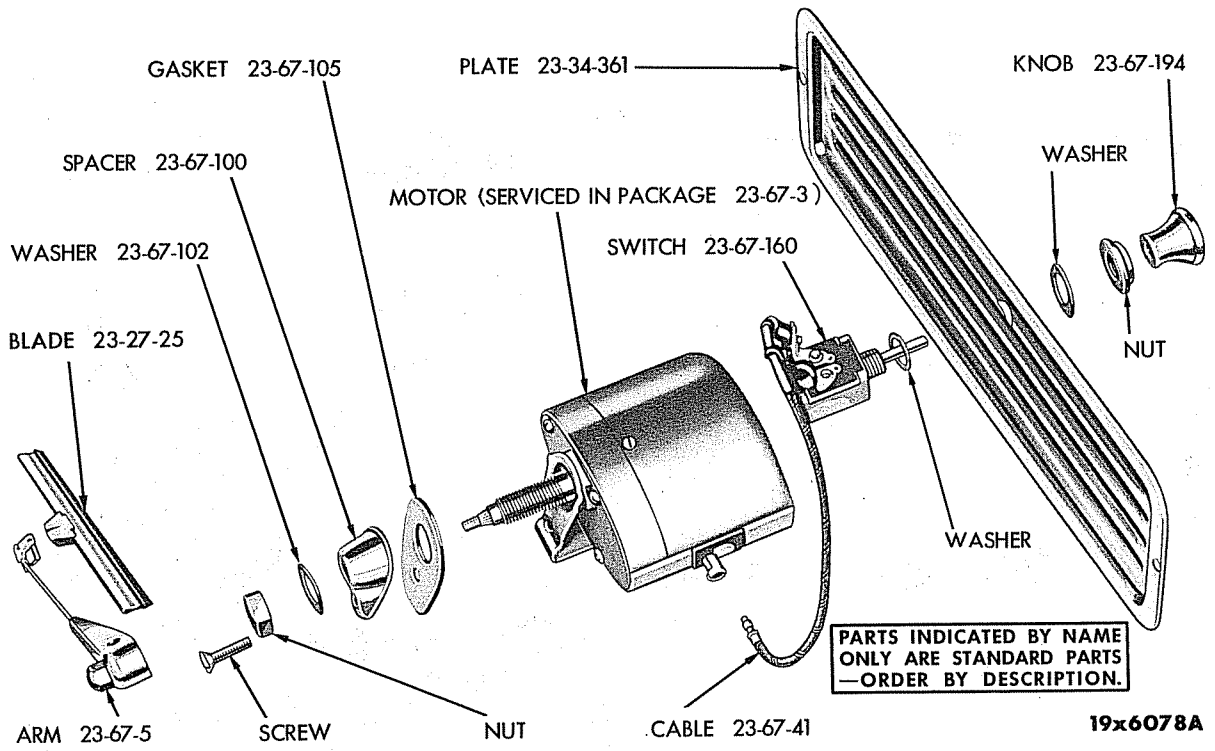


Plate 23-6

WINDSHIELD WIPER (ELECTRIC)

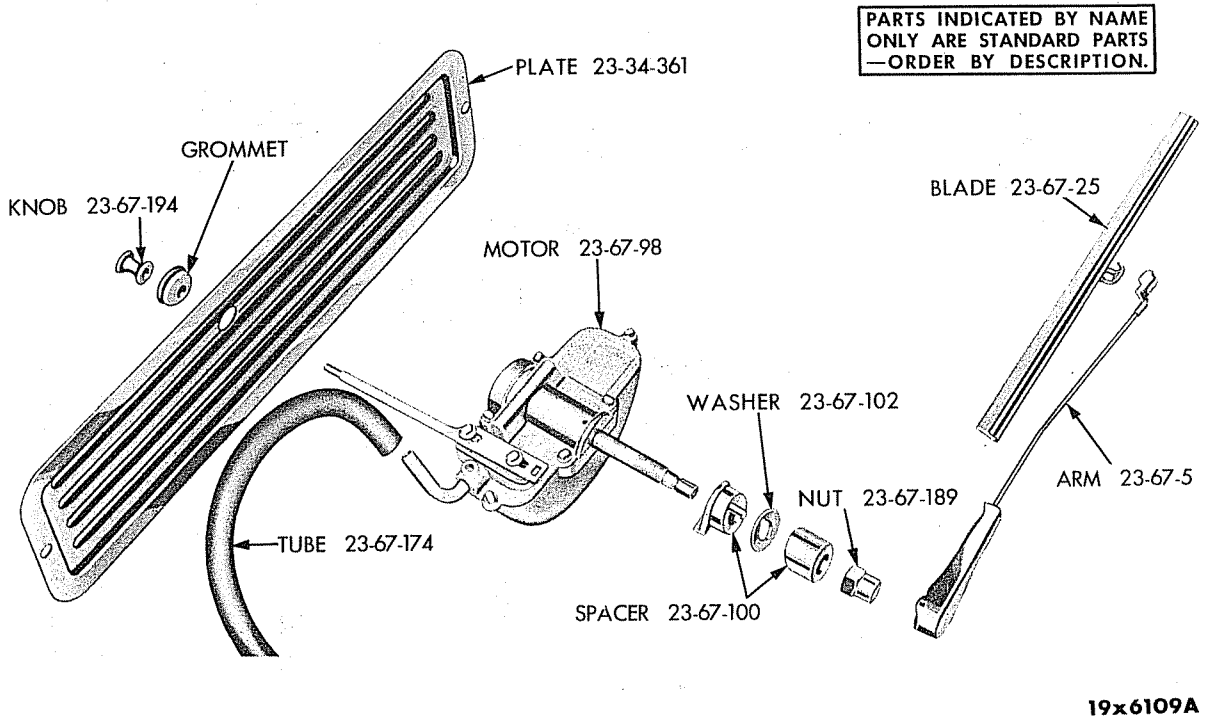
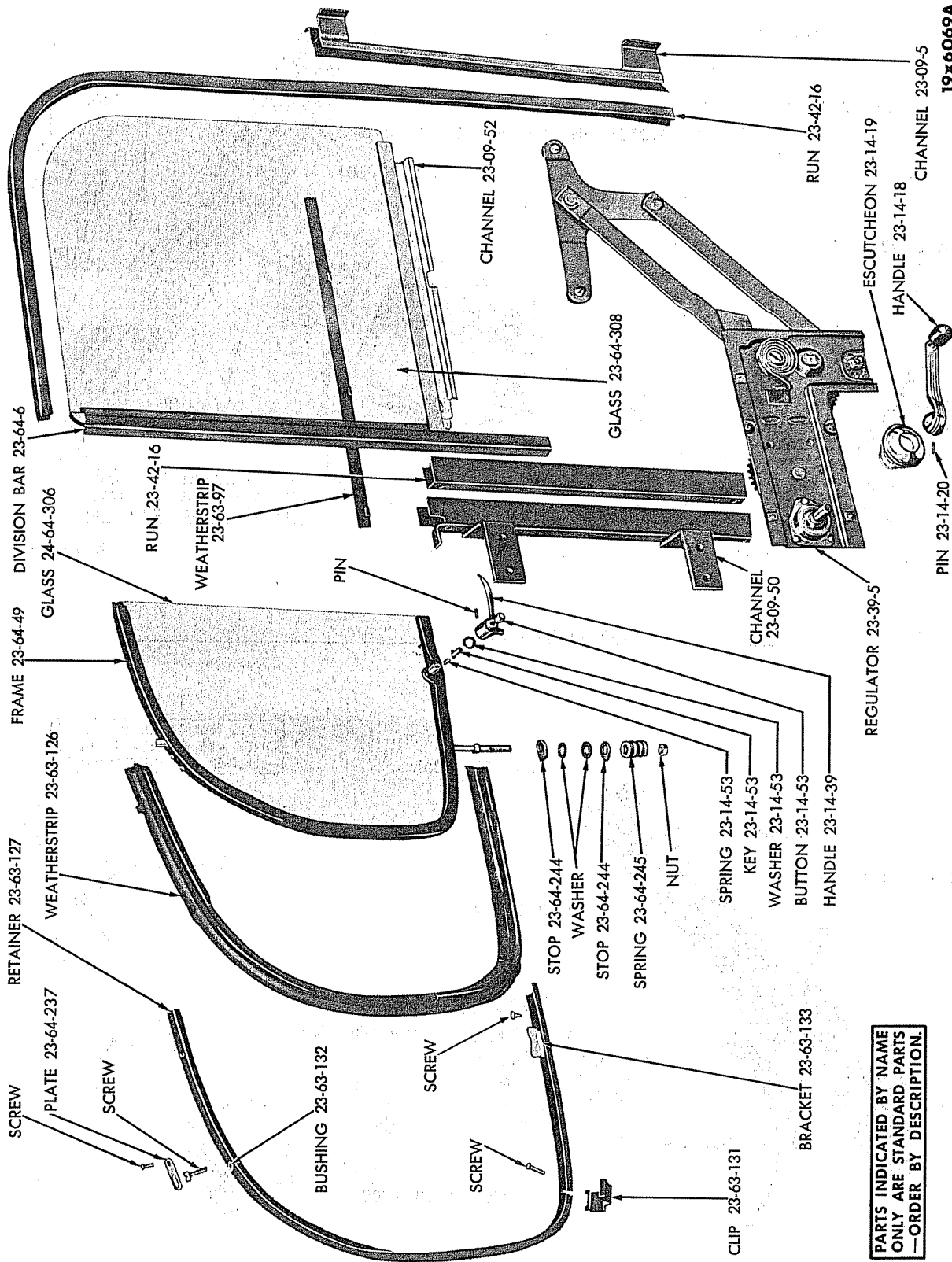


Plate 23-7

WINDSHIELD WIPER (VACUUM)



DOOR GLASS REGULATOR AND RUNS

Plate 23-8

PARTS INDICATED BY NAME
 ONLY ARE STANDARD PARTS
 —ORDER BY DESCRIPTION.

POWER WAGON PARTS LIST

BODY

CODE	PART NAME AND DESCRIPTION	SYMBOL LETTERS	B SERIES NO.	C SERIES NO.	MODEL CODES		PART NO.
					WDX	PW	
23-05-0 BODY HOLD-DOWN BOLT - Cont'd							
23-05-10	INSULATOR, Body to Frame (after serial No. 83919652 Det. Built and after 88766163 S. L. Built.)	F, W F, W	2 3, 4	-		2 2	*1277 997 *1277 997
23-05-11	WASHER, Body Insulator	F, W, C	2, 3, 4	-		★	*1239 880
23-05-12	SPACER, Body to Frame Insulator	F, W, C	-	-	★	★	*1199 331
23-05-14	BUSHING, Body to Frame Insulator (after serial No. 83919652 Det. Built and after 88766163 S. L. Built.) (after serial No. 83919652 Det. Built and after 88766163 S. L. Built.)	C C	- 2, 3, 4	-		1 1	*1278 000 *1277 998
23-05-16	SPRING (up to serial No. 83919652 Det. Built and up to 88766163 S. L. Built.)	C	1, 2			3 3	* 711 110
23-06-0 GLOVE BOX							
23-06-4	BOX, Glove	F, W, C	-	-		1 1	* 785 765 * 785 759
23-06-10	DOOR	F, W, C	-	-		1 1	* 729 152
23-06-14	BUMPER, Door	F, W, C	-	-		2 2	* 785 842
23-06-21	HINGE, Door	F, W, C	-	-		1 1	* 785 913
23-06-22	SPRING, Door	F, W, C	-	-		2 2	* 592 527
23-06-33	LOCK, Door (includes CYLINDER and KEY)	F, W, C	-	-		1 1	*1093 270
23-06-36	WASHER, Door Hinge to Spacer Screw Lock	F, W, C	-	-		3 3	
23-07-0 REINFORCEMENTS AND SUPPORTS							
23-07-317	SUPPORT, Dash Cowl Trim Panel	F, W, C	-	-		2 2	* 950 855
23-07-332	SUPPORT, Side Panel Rear, Right	E	3			1	*1199 400
	Left	E	3			1	*1199 401
	Flare Board, Right	E		-		1	*1398 211
	Flare Board, Left	E		-		1	*1398 212
23-07-342	WASHER, Side Panel Rear Support Screw Lock	E	3			12	*1093 885
23-07-359	REINFORCEMENT, Door Inside Panel Lower Hinge, Right	C	-	-		1 1	*1197 652
	Left	C	-	-		1 1	*1197 653
23-08-0 BUMPERS-DOVETAILS-STRIKERS							
23-08-12	PLATE, Side Front Door Header Rail Door Wedge	C	-	-		2 2	* 705 318
	BUMPER, Body Lock Pillar Front Door	C	-	-		4 4	* 399 526
	WEDGE, Front Door Half, Upper	C	-	-		2 2	* 989 513
	Lower	C	-	-		2 2	* 951 137
23-08-14	PLATE, Body Lock Pillar Door Bumper Screw Tapping	C	-	-		4 4	* 326 201
23-08-40	BUMPER, Door Inside Panel Glass	C	-	-		6 6	* 797 913
23-08-60	STRIKER, Body Lock Pillar Door Lock, Right	C	-	-		1 1	* 950 430
	Left	C	-	-		1 1	* 950 431
23-08-61	SCREW, Body Lock Pillar Door Lock Striker w/WASHER	C	-	-		4 4	* 950 435
23-08-69	COVER, Body Header Door Wedge, Right	C	-	-		1 1	* 797 080
	Left	C	-	-		1 1	* 797 081
23-08-70	SPACER, Door Wedge	C	-	-		★ ★	* 705 320
23-09-0 GLASS CHANNEL							
23-09-18	SCREW, Run Front Channel	C	-	-		8 8	*1197 799
23-09-50	CHANNEL, Door Glass Run Front, Right	C	-	-		1 1	* 785 894
	Left	C	-	-		1 1	* 785 895
	Right (for ventilator type windows)	C	-	-		1 1	* 909 263
	Left (for ventilator type windows)	C	-	-		1 1	* 909 264

SYMBOL LETTERS Indicate: F - Flat Face Cowl W - Windshield Cowl C - Cab E - Express

S & P Stake and Platform

★ Indicates use as required

Prices and specifications subject to change without notice.

□ Indicates parts not listed in any previous parts books.

* Indicates change or addition.

Series No. (1 indicates B-1 Series) (2 indicates B-2 Series) (3 indicates B-3 Series) (4 indicates B-4 Series)

Printed in U.S.A.

Series No. (1 indicates C-1 Series) (3 indicates C-3 Series)

Where dash (-) is shown in Series Column Part is for All.

April 30, 1956 Supersedes Jan. 30, 1953

CODE	PART NAME AND DESCRIPTION	SYMBOL LETTERS	B SERIES NO.	C SERIES NO.	MODEL CODES		PART NO.
					WDX	PW	
23-09-0 GLASS CHANNEL - Cont'd							
23-09-51	CHANNEL, Door Inside Panel Glass Run Rear, Right	C	-	-	-1	1	* 797 128
	Left	C	-	-	1	1	* 797 129
23-09-52	CHANNEL, Door Glass Lower, Right	C	-	-	1	1	*1096 338
	Left	C	-	-	1	1	*1096 339
	Right (for ventilator type window)	C	-	-	1	1	*1096 101
	Left (for ventilator type window)	C	-	-	1	1	*1096 102
23-10-0 DOOR CHECK ARM							
23-10-1	ARM	C	-	-	2	2	797 109
23-10-2	BRACKET, Hinge Support	C	-	-	4	4	785 981
23-10-5	RIVET, to Bracket	C	-	-	2	2	706 148
23-10-7	STOP, Body Hinge Pillar Bumper	C	-	-	2	2	785 987
23-11-0 DOORS							
23-11-1	SHELL, Right	C	-	-	1	1	1280 187
	Left	C	-	-	1	1	1280 188
23-11-2	DOOR, Complete, Right (w/o ventilator windows)	C	1,2	-	1	1	1096 761
	Right	C	3,4	-	-	1	1279 413
	Right (w/ventilator windows)	C	1,2	-	1	1	1096 771
	Right	C	3,4	-	-	1	1279 561
	Left (w/o ventilator windows)	C	1,2	-	1	1	1096 762
	Left	C	3,4	-	-	1	1279 414
	Left (w/ventilator windows)	C	1,2	-	1	1	1096 772
	Left	C	3,4	-	-	1	1279 562
23-12-0 FRONT SECTION							
23-12-1	COWL SECTION	F	3,4	-	-	-	1278 542
	COWL, Windshield	W,C	3,4	-	1	1	1278 859
		W,C	-	-	-	1	1278 549
23-14-0 DOOR REGULATOR HANDLES							
23-14-10	HANDLE, Door Outside	C	1,2	-	2	2	873 908
		C	3,4	-	-	2	1279 436
23-14-18	HANDLE, Window Regulator (nickel)	C	1,2	-	2	2	950 501
	(black)	C	1,2	-	2	2	* 981 608
	(chrome)	C	3,4	-	2	2	1278 535
23-14-19	ESCUTCHEON, Window Regulator Handle (nickel)	C	1,2	-	2	2	1277 049
	(chrome)	C	3	-	-	2	*1396 660
	(black)	C	4	-	-	2	1398 836
	Remote Control Handle (nickel)	C	1,2	-	2	2	1277 049
	(chrome)	C	3	-	-	2	*1396 660
	(black)	C	4	-	-	2	1398 836
23-14-20	PIN, Door Remote Control Handle (chrome)	C	-	-	2	2	724 797
	Window Regulator Handle (chrome)	C	-	-	2	2	724 797
23-14-27	HANDLE, Door Remote Control (black)	C	1,2	-	2	2	951 008
	(chrome)	C	1,2	-	2	2	950 502
		C	3,4	-	2	2	1278 534
23-14-39	HANDLE, Ventilator Wing Locking, Right	C	-	-	1	1	1096 117
	Left	C	-	-	1	1	1096 118
23-14-40	SHAFT, Door Ventilator Wing Handle, w/BRACKET	C	-	-	2	2	850 664
23-14-41	SHAFT, Door Ventilator Wing Handle	C	-	-	2	2	767 693
23-14-53	PACKAGE, Ventilator Wing Handle	C	-	-	2	2	1450 156
23-14-132	HANDLE, Windshield Regulator (chrome)	C	-	-	1	1	* 777 930

SYMBOL LETTERS Indicate: F - Flat Face Cowl W - Windshield Cowl C - Cab E - Express

S&P Stake and Platform

★ Indicates use as required Prices and specifications subject to change without notice.
 ☐ Indicates parts not listed in any previous parts books. * Indicates change or addition.
 Series No. (1 indicates B-1 Series) (2 indicates B-2 Series) (3 indicates B-3 Series) (4 indicates B-4 Series)
 Series No. (1 indicates C-1 Series) (3 indicates C-3 Series)
 Where dash (-) is shown in Series Column Part is for All. Printed in U.S.A.

April 30, 1956 Supersedes Jan. 30, 1953.

POWER WAGON PARTS LIST

BODY

CODE	PART NAME AND DESCRIPTION	SYMBOL LETTERS	B SERIES NO.	C SERIES NO.	MODEL CODES		PART NO.
					WDX	PW	
23-15-0 DOOR HINGES							
23-15-1	HINGE, Upper Right	W, C	-	-	1	1	* 785 742
	Left	W, C	-	-	1	1	* 785 743
23-15-3	HINGE, Lower Right	W, C	-	-	1	1	* 785 747
	Left	W, C	-	-	1	1	* 785 748
23-15-9	PIN, Rear View Mirror Hinge	W, C	-	-	1	1	* 950 428
	PIN, Hinge	W, C	-	-	3	3	* 708 167
23-15-10	SCREW, w/WASHER (to body)(5/16"-24 x 7/8")	W, C	-	-	16	16	*1244 818
23-17-0 LOCK CYLINDER REINFORCEMENT							
23-17-28	REINFORCEMENT, Door Outside Panel Lock Cylinder Retainer	C	-	-	1	1	* 950 508
23-18-0 DOOR LOCKS AND REMOTE CONTROLS							
23-18-3	LOCK and REMOTE CONTROL, Left	C	-	-	1	1	* 890 266
23-18-4	LOCK and LINK, Right	C	-	-	1	1	* 890 146
	Left	C	-	-	1	1	* 890 147
23-18-10	SPRING, Lock Handle Return	C	-	-	2	2	* 939 241
	Lock Bolt	C	-	-	2	2	* 939 242
23-18-13	REMOTE CONTROL, Right	C	-	-	1	1	* 890 267
	Left	C	-	-	1	1	* 890 268
23-20-0 FLOOR MATS							
23-20-8	MAT, Front Right	F, W, C	1, 2		1	1	*1095 997
	Left	F, W, C	1, 2		1	1	*1095 998
	(for power take-off)(after serial No. 83926253 Det. Built and after 88766990 S. L. Built.)	F, W, C	3, 4			1	*1280-379
	For Power Take-off C3PW UP TO Serial No. 83949001	C		3		1	*1280-379
	For Power Take-off C3PW AFTER Serial No. 83949001	C		3		1	B1669-116
23-20-10	WASHER, Plain (up to serial No. 83926253 Det. Built and up to 88766990 S. L. Built.)	F, W, C	-		2	2	*1197 791
23-21-0 REAR VIEW MIRROR							
23-21-8	MIRROR, Inside	C	-	-	1	1	* 586 915
23-21-15	MIRROR, Outside	W, C	-	-	★	★	*1279 813
23-21-22	ARM (short)	W, C	-	-	★	★	* 797 317
	(long)	W, C	-	-	★	★	*1095 078
23-21-34	PIN, Hinge	W, C	-	-	★	★	* 708 167
23-22-0 GARNISH MOULDING							
23-22-86	MOULDING, Rear Center Window Garnish	W, C	-	-	1	1	* 875 994
23-22-145	MOULDING, Windshield Garnish, Right	W, C	-	-	1	1	*1199 454
	Left	W, C	-	-	1	1	*1199 455
23-22-158	PLUG, Windshield Garnish Moulding	W, C	-	-	4	4	*1097 727
23-27-0 COWL OUTSIDE MOULDING							
23-27-44	MOULDING, to Roof Panel	C	-	-	1	1	* 785 709
23-30-0 CLINCH NUT							
23-30-1	NUT, Cab Belt Rail	F, W, C	-	-	4	4	* 327 072

SYMBOL LETTERS Indicate: F - Flat Face Cowl W - Windshield Cowl C - Cab E - Express

S & P Stake and Platform

★ Indicates use as required

Prices and specifications subject to change without notice.

□ Indicates parts not listed in any previous parts books.

* Indicates change or addition.

Series No. (1 indicates B-1 Series) (2 indicates B-2 Series) (3 indicates B-3 Series) (4 indicates B-4 Series)

Series No. (1 indicates C-1 Series) (3 indicates C-3 Series)

Printed in U.S.A.

Where dash (-) is shown in Series Column Part is for All.

CODE	PART NAME AND DESCRIPTION	SYMBOL LETTERS	B SERIES NO.	C SERIES NO.	MODEL CODES		PART NO.
					WDX	PW	
23-31-O PADS - LINERS - ANTI-SQUEAK							
23-31-9	INSULATION, Roof (fiber glass)	C	3, 4	-		1	1395 945
23-31-29	PAD, Front Floor Transmission Draft (up to serial No. 83926253 Det. Built and up to 88766990 S. L. Built)	W, C	1, 2, 3		1	1	930 860
23-31-30	WASHER, Front Floor Transmission Draft Pad Plain (up to serial No. 83926253 Det. Built and up to 88766990 S. L. Built)	F, W, C	1, 2, 3		2	2	1197 791
23-31-33	LINER, Dash, Complete	F, W, C	3, 4	-	1	1	*1278 970
23-31-36	FASTENER, Dash Liner	F, W, C	-	-	12	12	1199 166
		F, W, C				12	1199 768
23-31-53	PAD, Body to Frame	All	-	-	★	★	*1560 874
23-31-142	PAD, Accelerator Rod Draft (up to serial No. 83926253 Det. Built and up to 88766990 S. L. Built)	F, W, C	1, 2, 3		1	1	1095 999
23-31-143	WASHER, Accelerator Rod Draft Pad Plain (up to serial No. 83926253 Det. Built and up to 88766990 S. L. Built)	F, W, C	1, 2, 3		2	2	1197 791
23-32-O PLATES							
23-32-36	PLATE, Floor Board Fuel Gauge Inspection	-	-	-	1	1	991 135
23-34-O METAL PANELS							
23-34-12	PANEL, Front	E	-	-		1	*1398 055
23-34-25	SECTION, Rear	C	-	-	1	1	1095 370
23-34-55	PANEL, Cab Side, Right	C	-	-	1	1	991 136
	Left	C	-	-	1	1	991 137
		E	3, 4	-		1	*1398 175
		E	3, 4	-		1	*1398 176
23-34-56	WASHER, Side Panel to Front Panel Screw Lock	E	-	-	8	8	1093 270
23-34-57	ROD, Side Panel Tie	E	-	-	2	2	1097 422
23-34-73	WASHER, Panel to Floor Bolt Lock	E	-	-	★	★	*1561 065
	Side Panel Front Extension to Side Panel Screw Lock	E	-	-	4	4	*1561 065
	to floor Bolt Lock	E	-	-	4	4	*1561 065
23-34-112	BRACKET, Control Cables Dash	F, W, C	-	-	1	1	927 156
23-34-113	CLAMP, Control Cables Dash Bracket	F, W, C	-	-	1	1	927 157
23-34-114	SCREW, Control Cables Dash Bracket Mounting (1/4"-20 x 3/8")	F, W, C	-	-	2	2	929 054
23-34-116	COVER, Throttle Control Dash Panel Hole (up to approx. serial No. 83931248 except 83931138 thru 83931239 for low compression head engine Detroit Built and up to 88767201 S. L. Built except 88767209)	F, W, C	-	-	1	1	1095 928
23-34-361	PLATE, Windshield Header Panel Cover	W, C	-	-	2	2	785 911
23-34-364	U/NUT, Windshield Header Panel Cover Plate Screw	W, C	-	-		4	1093 206
23-39-O WINDOW REGULATOR							
23-39-5	REGULATOR, Right (up to serial No. 83901890 Det. Built and up to serial No. 88750226 L. A. Built) (use w/o ventilator windows)	C	1, 2		1	1	785 882
	(after serial No. 83901890 Det. Built and after serial No. 88750226 L. A. Built)	C	-	-	1	1	909 250
	Left (up to serial No. 83901890 Det. Built and up to serial No. 88750226 L. A. Built) (use w/o ventilator windows)	C	1, 2		1	1	785 883
	(after serial No. 83901890 Det. Built and after serial No. 88750226 L. A. Built)	-	-	-	1	1	909 251

SYMBOL LETTERS Indicate: F - Flat Face Cowl W - Windshield Cowl C - Cab E - Express

S & P Stake and Platform

★ Indicates use as required Prices and specifications subject to change without notice.
 □ Indicates parts not listed in any previous parts books. * Indicates change or addition.
 Series No. (1 indicates B-1 Series) (2 indicates B-2 Series) (3 indicates B-3 Series) (4 indicates B-4 Series)
 Series No. (1 indicates C-1 Series) (3 indicates C-3 Series) Printed in U.S.A.
 Where dash (-) is shown in Series Column Part is for All. Page 23-11 April 30, 1956 Supersedes June 15, 1954.

POWER WAGON PARTS LIST

BODY

CODE	PART NAME AND DESCRIPTION	SYMBOL LETTERS	B SERIES NO.	C SERIES NO.	MODEL CODES		PART NO.
					WDX	PW	
23-42-0 DOOR GLASS RUN							
23-42-16	RUN	C	-	-	2	2	785 880
	Front	C	-	-	2	2	966 487
	(use with ventilator type windows)	C	-	-	2	2	909 269
23-42-67	CLIP	C	-	-	8	8	*1561 798
23-46-0 FRONT SEAT BACK HINGE							
23-46-3	HINGE	C	-	-	2	2	785 823
23-46-6	PIN	C	-	-	2	2	733 856
23-51-0 SILLS AND RAILS							
23-51-59	RAIL, Side Skid Left	S&P	-	3	-	1	B1562 358
	Right	S&P	-	3	-	1	B1562 357
23-54-0 TAILGATE							
23-54-3	TAILGATE	E	-	-	1	1	1097 923
23-54-4	HINGE, Outer	E	1,2	-	1	1	1095 516
	Outer	E	3,4	-	1	1	1096 958
	Center	E	1,2,3	-	1	1	1093 085
	Center	E	4	-	1	1	1398 087
23-54-8	CHAIN, w/COVER (17 links) (tapered hook)	E	1,2	-	2	2	1095 522
	(14 links)	E	3,4	-	2	2	1279 731
23-54-10	BRACKET, Side Panel Flare Board Rear Support						
	Tailgate Chain, Left	E	-	-	-	1	1197 129
	Right	E	-	-	-	1	1197 128
23-54-12	SUPPORT, Hinge	E	-	-	-	1	785 465
23-54-113	SHIM, Outer Hinge	E	4	-	★	★	1398 086
23-59-0 DRIP MOULDING							
23-59-56	MOULDING, Roof Drip, Right	C	-	-	1	1	785 813
	Left	C	-	-	1	1	785 814
23-59-57	CLIP, Roof Side Drip Moulding	C	-	-	2	2	1199 682
23-61-0 COWL VENTILATOR							
23-61-29	LID	F,W,C	-	-	1	1	785 543
23-61-40	SCREW, Hinge to Deflector (No. 10-32 x 1/2")	F,W,C	-	-	2	2	1197 130
23-61-43	SCREW, Link Bracket to Deflector (No. 10-32 x 1/2")	F,W,C	-	-	2	2	*1197 130
23-61-65	HINGE	F,W,C	-	-	1	1	797 082
23-61-66	SCREW, Hinge to Hinge Bracket (1/4"-20 x 3/16")	F,W,C	-	-	2	2	718 757
23-61-68	WASHER, Hinge to Hinge Bracket Screw Lock	F,W,C	-	-	2	2	1093 270
23-61-73	RATCHET, w/BRACE	F,W,C	-	-	1	1	991 063
23-61-75	SPRING	F,W,C	-	-	2	2	747 290
23-61-110	WEATHERSTRIP	F,W,C	-	-	1	1	785 609
23-61-132	TUBE, Drain	F,W,C	-	-	1	1	785 785
23-63-0 WEATHERSTRIP							
23-63-33	WEATHERSTRIP, Door Lower	C	-	-	2	2	*1396 060
23-63-35	CLIP, Door Lower Weatherstrip or Weatherseal	C	-	-	20	20	844 753
23-63-97	WEATHERSTRIP, Door Glass Outside Panel,						
	Right (use w/o ventilator type window)	C	-	-	1	1	1096 167
	Right (use w/ventilator type window)	C	-	-	1	1	1096 095
	Left (use w/o ventilator type window)	C	-	-	1	1	1096 168
	Left (use w/ventilator type window)	C	-	-	1	1	1096 096

SYMBOL LETTERS Indicate: F - Flat Face W - Windshield Cowl C - Cab E - Express
S & P Stake and Platform

★ Indicates use as required Prices and specifications subject to change without notice.
 □ Indicates parts not listed in any previous parts books. * Indicates change or addition.
 Series No. (1 indicates B-1 Series) (2 indicates B-2 Series) (3 indicates B-3 Series) (4 indicates B-4 Series)
 Series No. (1 indicates C-1 Series) (3 indicates C-3 Series)
 Where dash (-) is shown in Series Column Part is for All. Printed in U.S.A.

April 30, 1956 Supersedes June 15, 1954.

CODE	PART NAME AND DESCRIPTION	SYMBOL LETTERS	B SERIES NO.	C SERIES NO.	MODEL CODES		PART NO.
					WDX	PW	
23-63-0 WEATHERSTRIP - Cont'd							
23-63-112	WEATHERSTRIP, Rear Belt Window Glass	C	-	-	1	1	785 390
23-63-126	WEATHERSTRIP, Ventilator Wing, Right	C	-	-	1	1	1096 352
	Left	C	-	-	1	1	1096 353
23-63-127	RETAINER, Ventilator Wing Weatherstrip, Right	C	-	-	1	1	1096 119
	Left	C	-	-	1	1	1096 120
23-63-130	WEATHERSTRIP, Ventilator Window Division Bar, Right	C	-	-	1	1	909 314
	Left	C	-	-	1	1	909 284
23-63-131	CLIP, Ventilator Wing Weatherstrip	C	-	-	1	1	1096 126
23-63-132	BUSHING, Ventilator Wing Weatherstrip Retainer Pivot Upper	C	-	-	2	2	950 498
23-63-133	BRACKET, Ventilator Wing Weatherstrip Retainer Striker	C	-	-		2	*1197 015

23-64-0 WINDOWS

Note 1: Place orders for door and window glass directly with Pittsburgh Plate Glass Co., Warehouse or Store, or W. P. Fuller and Company, Glass Warehouse or Stores. The above applies to glass only and not to assemblies which may include a frame, weatherstrip or any attaching part. Orders for this type of glass should be sent directly to the Parts Plant serving your area.

23-64-6	BAR, Ventilator Window Division, Right	C	-	-	1	1	*1399 018
	Left	C	-	-	1	1	*1399 019
23-64-13	SCREW, Door Glass Stop (1/4"-20 x 1/2").	C	-	-	2	2	785 940
23-64-18	WASHER, Door Glass Stop Screw Lock	C	-	-	2	2	1093 270
23-64-49	FRAME, Ventilator Wing Glass, Right	C	-	-	1	1	1096 113
	Left	C	-	-	1	1	1096 114
23-64-110	WASHER, Ventilator Wing Lower Pivot Thrust	C	-	-	2	2	1096 333
23-64-237	PLATE, Ventilator Wing Upper Pivot Screw Lock	C	-	-	2	2	950 499
23-64-240	PIVOT, Ventilator Wing Upper	C	-	-	2	2	950 496
23-64-241	PIVOT, Ventilator Wing Lower	C	-	-	2	2	909 296
23-64-244	STOP, Ventilator Wing Lower Pivot	C	-	-	2	2	1096 790
23-64-245	SPRING, Ventilator Wing Lower Pivot	C	-	-	2	2	849 765
23-64-306	GLASS, Ventilator Wing Standard See Note 1	C	-	-	2	2	* 909 289
	(heat absorbing) (see note 1)	C	4	-		2	*1398 370
23-64-308	GLASS, Door (heat absorbing) (see note 1)	C	4	-	2	2	1398 352
	Use w/o Ventilator Type Window See Note 1	C	-	-	2	2	* 785 761
	(use w/ventilator type window) (see note 1)	C	-	-	2	2	1096 100
	(use w/ventilator type window) (heat absorbing) (see note 1)	C	4	-	2	2	1398 363
23-64-314	GLASS, Cab Rear Window (heat absorbing)(see note 1) Standard See Note 1	C	4	-	1	1	*1398 376
		C	-	-	1	1	* 785 576

23-66-0 WINDSHIELD

Note 2: Place orders for windshield glass directly with Pittsburgh Plate Glass Co., Warehouse or Stores; or W. P. Fuller and Co., Glass Warehouse or Stores. The above applies to glass only and not to assemblies which may include a frame, weatherstrip or any attaching part. Orders for this type of glass should be sent directly to the Parts Plant serving your area.

23-66-3	WINDSHIELD (black)	C	-	-	1	1	* 797 137
	(Chrome)	C	-	-	1	1	* 592 778
23-66-29	BAR, Center	C	-	-	1	1	*1097 225
23-66-32	SCREW, Center Bar to Upper Frame No. 10-32 x 1/4"	C	-	-	1	1	* 844 530

SYMBOL LETTERS Indicate: F - Flat Face Cowl W - Windshield Cowl C - Cab E - Express

S & P Stake and Platform

★ Indicates use as required Prices and specifications subject to change without notice.
 □ Indicates parts not listed in any previous parts books. * Indicates change or addition.
 Series No. (1 indicates B-1 Series) (2 indicates B-2 Series) (3 indicates B-3 Series) (4 indicates B-4 Series)
 Series No. (1 indicates C-1 Series) (3 indicates C-3 Series)
 Where dash (-) is shown in Series Column Part is for All.

Printed in U.S.A.
 April 30, 1956 Supersedes June 15, 1954.

POWER WAGON PARTS LIST

BODY

CODE	PART NAME AND DESCRIPTION	SYMBOL LETTERS	B SERIES NO.	C SERIES NO.	MODEL CODES		PART NO.
					WDX	PW	
23-66-0 WINDSHIELD							
23-66-65	FRAME, Lower (black)	C	-	-	1	1	* 797 771
	Lower (chrome)	C	-	-	1	1	* 592 880
	Upper (black)	C	-	-	1	1	*1096 017
	Upper (chrome)	C	-	-	1	1	*1096 046
23-66-70	CLIP, Frame Joint (black)	C	-	-	2	2	* 592 882
	(chrome)	C	-	-	2	2	* 592 882
23-66-72	WASHER, Hinge Bracket to Hinge Screw Lock	C	-	-	4	4	*1093 270
23-66-85	SCREW, Frame Joint Tapping Plate (No. 10-32 x 1/4")	C	-	-	8	8	* 844 528
23-66-135	GLASS						
	(see note 2)	C	-	-	2	2	*1097 224
	(heat absorbing) (see note 2)	C	3, 4	-	2	2	*1280 350
23-66-140	HINGE, Header Panel (windshield half)	C	-	-	2	2	* 785 676
	(body half)	C	-	-	2	2	* 785 677
23-66-141	PIN, Header Panel Hinge	C	-	-	2	2	* 890 244
23-66-149	WASHER, Hinge to Bracket Screw Lock	C	-	-	4	4	*1093 270
23-66-156	MOULDING, Center Piece (black)	C	-	-	1	1	* 844 776
	Center Bar	C	-	-	1	1	*1097 227
23-66-163	RETAINER, Center Bar Moulding	C	-	-	1	1	*1097 229
23-66-194	REGULAR	C	-	-	1	1	* 797 133
23-66-212	TAPE, Regulator (complete)	C	-	-	1	1	* 844 645
23-66-215	PIN, Regulator Tape Frame Bracket Clip	C	-	-	1	1	* 495 374
	RIVET	C	-	-	1	1	* 797 933
23-66-235	WEATHERSTRIP	C	-	-	1	1	* 797 138
23-67-0 WINDSHIELD WIPER							

Note 3: Used up to serial No. 83908274 Det. Built, up to serial No. 88759606 L. A. Built and up to serial No. 88757779 S. L. Built.

Note 4: Used after serial No. 83908274 Det. Built, after serial No. 88759606 L. A. Built and after serial No. 88757779 S. L. Built.

23-67-3	WIPER PACKAGE (electric)	W, C	-	-	1	1	* 921 246
23-67-5	ARM PACKAGE (electric)	W, C	-	-	1	1	E1527 677
	ARM (vacuum) (see note 3)	W, C	1	-	2	2	* 837 974
	Right (see note 4)	W, C	-	-	-	1	*1261 432
	Left (see note 4)	W, C	-	-	-	1	*1261 433
23-67-6	NUT, Arm Mounting (see note 4)	W, C	-	-	-	2	* 628 665
23-67-25	BLADE PACKAGE (8 1/4")	W, C	-	-	1	1	E1527 667
	BLADE	W, C	-	-	-	1	*1272 369
23-67-41	CABLE, Switch (to wiper) (specify by the inch)	W, C	-	-	★	★	385 573
23-67-98	MOTOR, Left (vacuum) (see note 3)	W, C	1	-	1	1	787 915
	(see note 4)	W, C	-	-	-	1	1261 431
	Right (vacuum) (see note 3)	W, C	1	-	1	1	787 914
	(see note 4)	W, C	-	-	-	1	1261 430
23-67-100	SPACER, Inner (vacuum) (see note 3)	W, C	1	-	1	1	798 482
	Outer (vacuum) (see note 3)	W, C	1	-	1	1	798 483
	Mounting Nut (electric)	W, C	-	-	1	1	921 241
23-67-102	WASHER, Motor Mounting Nut (electric)	W, C	-	-	1	1	922 469
	Screw (electric)	W, C	-	-	1	1	922 468
23-67-105	GASKET, Motor Mounting Nut Spacer (electric)	W, C	-	-	1	1	921 242
23-67-160	SWITCH (electric)	W, C	-	-	1	1	583 127
23-67-173	TUBE (rubber) (specify by the inch) (81" required)	W, C	-	-	★	★	611 511
23-67-174	TUBE, Manifold (vacuum)	W, C	-	-	1	1	861 574
23-67-178	CLIP, Header Panel Wiper Tube (vacuum)	W, C	-	-	1	1	1302 783
23-67-179	Y-COUPLING (vacuum)	W, C	-	-	1	1	667 830
23-67-189	NUT, Mounting (see note 4)	W, C	-	-	2	2	378 540
23-67-194	KNOB, Control (chrome)(vacuum)	W, C	-	-	1	1	* 571 540
	Switch (electric)	W, C	-	-	1	1	589 853

SYMBOL LETTERS Indicate: F - Flat Face Cowl W - Windshield Cowl C - Cab E - Express

S & P Stake and Platform

★ Indicates use as required

☐ Indicates parts not listed in any previous parts books.

Series No. (1 indicates B-1 Series) (2 indicates B-2 Series) (3 indicates B-3 Series) (4 indicates B-4 Series)

Series No. (1 indicates C-1 Series) (3 indicates C-3 Series)

Where dash (-) is shown in Series Column Part is for All.

Prices and specifications subject to change without notice.
* Indicates change or addition.

Printed in U.S.A.

April 30, 1956 Supersedes Jan. 30, 1953.

CODE	PART NAME AND DESCRIPTION	SYMBOL LETTERS	B SERIES NO.	C SERIES NO.	MODEL CODES		PART NO.
					WDX	PW	
23-68-0 RACKS AND GATES							
23-68-1	STAKE, Left Rack Lock	S&P		3		1	*1097 188
	Front and Side Rack	S&P		3		11	*1097 176
	Side Rear Rack Front	S&P		3		2	*1097 179
	Side Gate Rack Rear	S&P		3		2	*1097 180
23-68-2	CONNECTOR, Stake Rack Right Front and Left Rear .	S&P		3		6	* 516 988
	Stake Rack Left Front and Right Rear .	S&P		3		6	* 516 989
23-68-10	POCKET, Floor Front and Rear Cross Sill Stake . . .	S&P		3		6	* 901 040
23-68-17	LATCH, Rear Left Rack Lock Stake	S&P		3		1	* 493 312
23-76-0 DOOR ARM REST							
23-76-3	REST, Arm	C	1,2		2	2	1290 756
		C	3			2	1279 595
		C	4	-		2	1397 519
	C-1-PW UP TO Serial No. 83939599	C		1		2	*1397 519
	C-1-PW AFTER Serial No. 83939599	C		1-3		2	*1399 062
23-76-15	SCREW, to Door (No. 14-10 x 2 1/4")	C	3,4	-	4	4	1280 131
23-76-16	NUT, to Door	C	1,2		4	4	1158 280
		C	3,4	-	4	4	1280 134
23-86-0 ROOF HEADLINING TRIM PANEL							
23-86-22	PANEL (use without dome lamp)	C	1,2		1	1	1095 334
		C	3			1	1197 813
		C	4	-		1	1398 456
	(use with dome lamp).	C	1,2		1	1	1095 338
		C	3			1	1197 817
		C	4	-		1	1398 460
23-86-23	WASHER, Screw Plain (chrome)	C	-	-	2	2	1197 561
	(nickel)	C	-	-	2	2	1276 675
23-86-24	RETAINER, Front	C	-	-	1	1	797 416
	Left	C	-	-	1	1	950 326
23-86-25	REINFORCEMENT (imitation leather) (54" wide)						
	(brown)	C	-		★	★	1197 880
23-90-0 BELT RAIL TRIM PANEL							
23-90-3	PANEL, Rear	C	-		1	1	*1398 454
	Rear	C	-			1	1399 243
23-90-12	FASTENER (maroon)	C	4			2	1397 967
	(gray)	C				2	1397 968
23-91-0 COWL TRIM PANEL							
23-91-6	PANEL	C	-	-	2	2	991 069
23-91-17	WASHER, Screw Lock	C	-	-	2	2	*1561 065
23-92-0 DOOR TRIM PANEL							
23-92-5	PANEL, Left (with arm rest)	C	3,4	-	1	1	1280 123
	(use w/o arm rest)	C	-	-	2	2	1095 377
23-93-0 HEADER TRIM PANEL							
23-93-6	RETAINER, Body Door, Left	C	-		1	1	950 326

SYMBOL LETTERS Indicate: F - Flat Face Cowl W - Windshield Cowl C - Cab E - Express

S & P Stake and Platform

★ Indicates use as required Prices and specifications subject to change without notice.
 ☐ Indicates parts not listed in any previous parts books. * Indicates change or addition.
 Series No. (1 indicates B-1 Series) (2 indicates B-2 Series) (3 indicates B-3 Series) (4 indicates B-4 Series)
 Series No. (1 indicates C-1 Series) (3 indicates C-3 Series)
 Where dash (-) is shown in Series Column Part is for All.

Printed in U.S.A.
 April 30, 1956 Supersedes June 15, 1954.

POWER WAGON PARTS LIST

BODY

CODE	PART NAME AND DESCRIPTION	SYMBOL LETTERS	B SERIES NO.	C SERIES NO.	MODEL CODES		PART NO.
					WDX	PW	
23-99-0 HINGE PILLAR TRIM							
23-99-5	PANEL, Body, Right	C	1,2,3		1	1	1197 803
		C	4			1	1398 446
	Left	C	1,2,3		1	1	1197 804
		C	4			1	1398 447
	Right	C		-		1	1399 235
	Left	C		-		1	1399 236
23-101-0 REAR QUARTER TRIM PANEL							
23-101-3	PANEL, Right	C	1,2,3		1	1	1197 807
		C	4			1	1398 450
	Left	C	1,2,3		1	1	1197 808
		C	4			1	1398 451
	Right	C		-		1	1399 239
	Left	C		-		1	1399 240
23-103-0 WINDSHIELD VISOR							
23-103-3	PANEL	C	1,2		2	2	1277 064
		C	3			2	1279 348
	(up to body No. 6094)	C	4			2	1397 943
	(after body No. 6094)	C		-		1	1560 149
23-103-7	CLIP, Corner (chrome pltd.)	C	1,2		2	2	480 215
	(copper pltd.)	C	3,4			2	1395 989
23-103-10	ARM, Right	C	1,2		1	1	1277 065
		C	3,4			1	*1279 149
	Right (after body No. 6094)	C		-		1	1560 102
	Left	C	1,2		1	1	1277 066
		C	3,4			1	*1279 150
	Left (after body No. 6094)	C		-		1	1560 103
23-103-16	BRACKET, Arm, Right	C	-		1	1	593 788
	Left	C	-		1	1	593 789
23-103-17	SPRING	C	1,2		2	2	466 410
23-103-18	WASHER	C	-		2	2	* 748 108
23-108-0 FRONT SEAT TRIM							
23-108-4	CUSHION, Seat (imitation leather)	C	1,2		1	1	1197 820
	(up to serial No. 83924700 Det. Built and up to 88766923 S. L. Built)	C	3			1	1278 914
	(after serial No. 83924700 Det. Built and after 88766923 S. L. Built)	C	3			1	1280 453
		C	4			1	1396 697
	(imitation leather) (air foam pads)	C	1,2		1	1	1197 824
		C	3			1	1278 947
		C	4			1	1397 053
	(with strata blue imitation leather) (air foam pads)	C	3,4			1	1396 168
	Gray	C		-		1	*1399 110
	Gray Air Foam Pads	C		3		1	E1399 130
23-108-5	COVER, Seat Cushion	C	1,2		1	1	1197 822
	(up to serial No. 83924700 Det. Built and up to 88766923 S. L. Built)	C	3			1	1278 919
	(after serial No. 83924700 Det. Built and after 88766923 S. L. Built)	C	3			1	1197 822
		C	4			1	1396 699
	(strata blue imitation leather)	C	3,4			1	1396 170
	Gray	C		-		1	*1399 112

SYMBOL LETTERS Indicate: F - Flat Face Cowl W - Windshield Cowl C - Cab E - Express

S & P Stake and Platform

★ Indicates use as required

□ Indicates parts not listed in any previous parts books.

Series No. (1 indicates B-1 Series) (2 indicates B-2 Series) (3 indicates B-3 Series) (4 indicates B-4 Series)

Series No. (1 indicates C-1 Series) (3 indicates C-3 Series)

Where dash (-) is shown in Series Column Part is for All.

Prices and specifications subject to change without notice.

* Indicates change or addition.

Printed in U.S.A.

April 30, 1956 Supersedes June 15, 1954.

CODE	PART NAME AND DESCRIPTION	SYMBOL LETTERS	B SERIES NO.	C SERIES NO.	MODEL CODES		PART NO.
					WDX	PW	
23-108-O FRONT SEAT TRIM - Cont'd							
23-108-12	CUSHION, Seat Back (imitation leather) (air foam)	C	1, 2		1	1	1197 823
	(up to serial No. 83924700 Det. Built and up to 88766923 S. L. Built)	C	3			1	1278 913
	(after serial No. 83924700 Det. Built and after 88766923 S. L. Built)	C	3			1	1197 819
		C	4			1	1396 696
	(strata blue imitation leather).	C	3, 4			1	1396 167
	Gray	C		-		1	*1399 109
23-108-16	COVER, Seat Back Cushion	C	1, 2		1	1	1197 821
	(up to serial No. 83924700 Det. Built and up to 88766923 S. L. Built)	C	3			1	1278 918
	(after serial No. 83924700 Det. Built and after 88766923 S. L. Built)	C	3			1	1197 821
		C	4			1	1396 698
	(strata blue imitation leather)	C	3, 4			1	1396 169
	Gray	C		-		1	*1399 111
23-113-O WEATHERCORD AND FILLERS							
23-113-3	WEATHERCORD, Door	C	-	-	2	2	902 818
23-113-12	FILLER, Door Glass Lower Channel (use with ventilator type window)	C	-	-	2	2	*1096 676
23-114-O TRIMMING MATERIAL							
23-114-15	LEATHER, Imitation (54" wide)	C	1, 2		*	*	1197 880
	(up to serial No. 83924700 Det. Built and up to 88766923 S. L. Built)	C	3			*	1278 841
	(after serial No. 83924700 Det. Built and after 88766923 S. L. Built)	C	3			*	1197 880
		C	4			*	1396 685
	Gray Imitation (54" wide)	C		-		*	*1399 098
23-115-O FASTENERS AND CLIPS							
23-115-6	FASTENER, Seat Cushion Pad Support (hog ring)	C	-	-	*	*	741 923
	Trim Panel	C	-	-	*	*	1197 667
	Rear Trim Panel	C	4			*	1397 967
	(gray)	C	-	-		*	1397 968
23-115-8	CLIP, Seat Cushion Cover	C	-	-	*	*	708 267
	Seat Back Cushion Cover	C	-	-	*	*	708 267

NOTES

SYMBOL LETTERS Indicate: F - Flat Face Cowl W - Windshield Cowl C - Cab E - Express

S & P Stake and Platform

★ Indicates use as required Prices and specifications subject to change without notice.
 ☐ Indicates parts not listed in any previous parts books. * Indicates change or addition.
 Series No. (1 indicates B-1 Series) (2 indicates B-2 Series) (3 indicates B-3 Series) (4 indicates B-4 Series)
 Series No. (1 indicates C-1 Series) (3 indicates C-3 Series)
 Where dash (-) is shown in Series Column Part is for All.

Printed in U.S.A.
 April 30, 1956 Supersedes June 15, 1954.

