

GROUP 22 - WHEELS

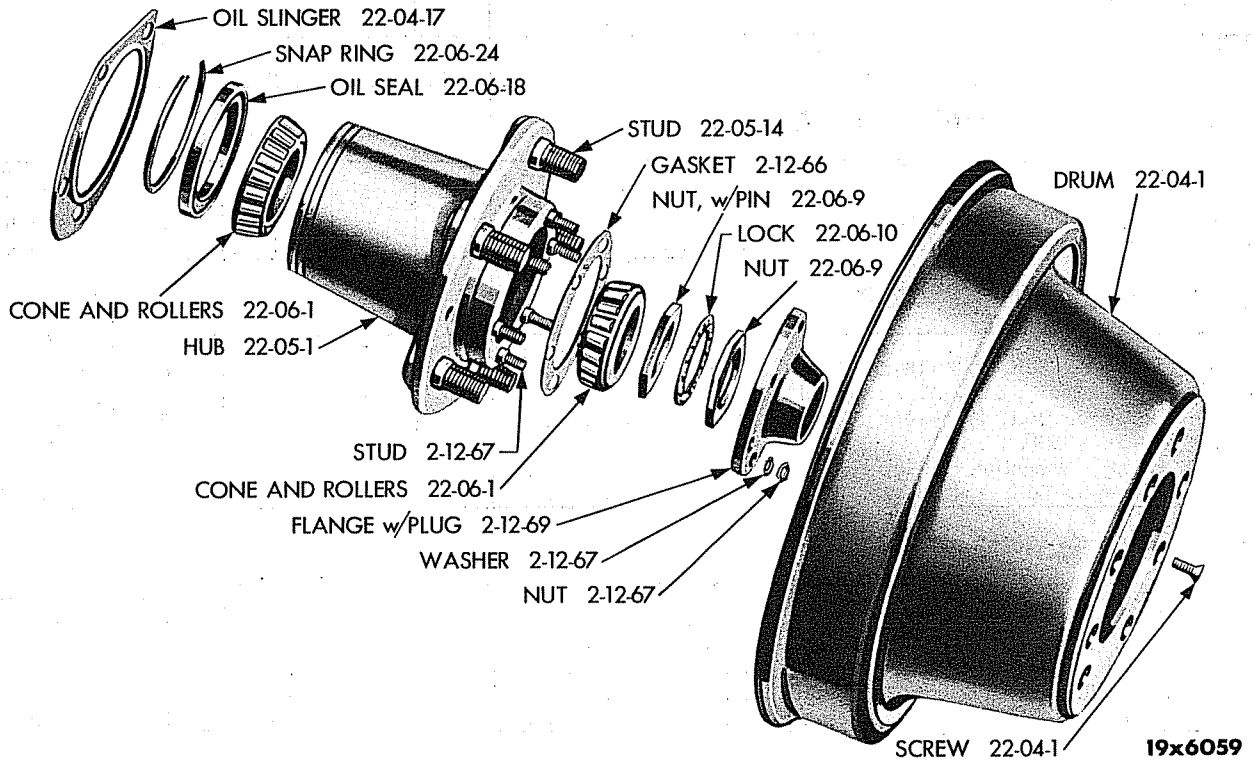


Plate 22-1

FRONT WHEEL

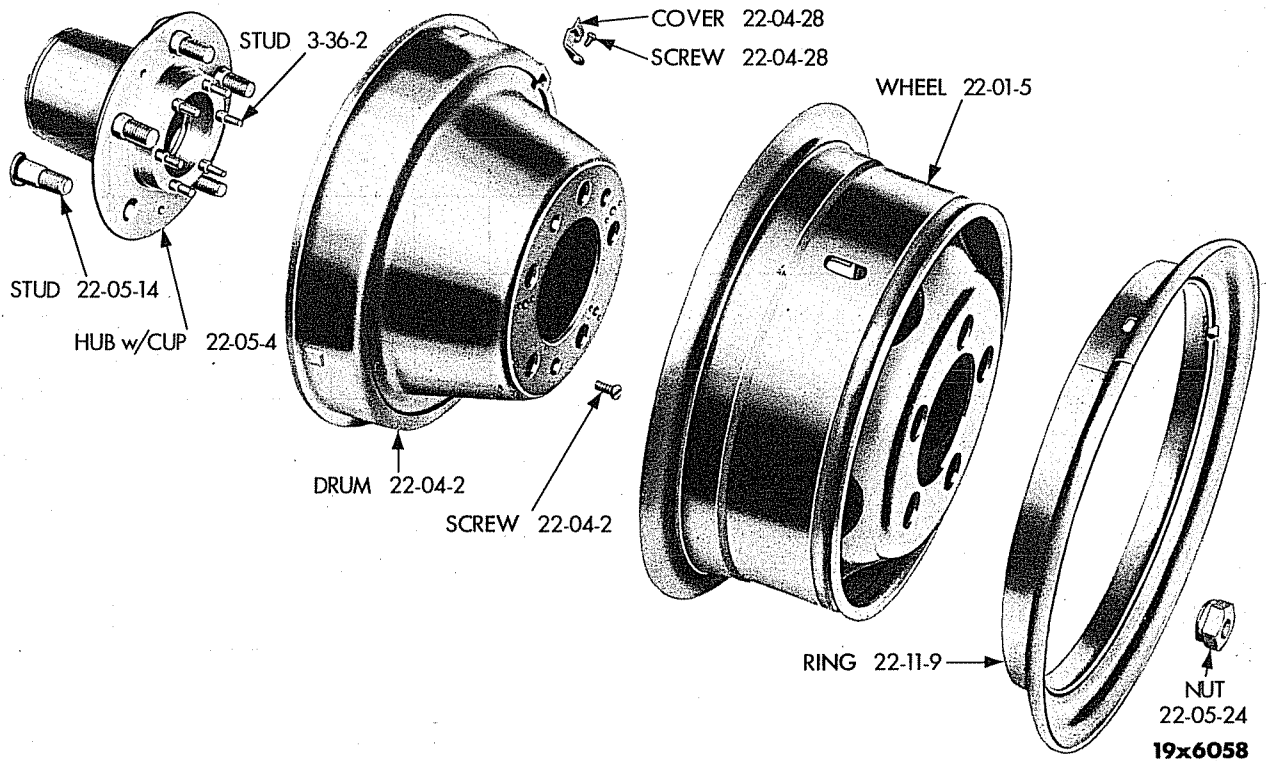


Plate 22-2

REAR WHEEL

**POWER WAGON PARTS LIST**

**WHEELS**

CODE	PART NAME AND DESCRIPTION	B SERIES NO.	C SERIES NO.	MODEL CODES		PART NO.
				WDX	PW	
<b>22-01-0 WHEELS</b>						
22-01-5	WHEEL (16 x 5.50) . . . . .	-	-	5	5	*1189 378
	(16 x 6.50) . . . . .	-	-	5	5	*1261 521
<b>22-03-0 HUB AND BRAKE DRUM</b>						
22-03-1	HUB, w/DRUM, Right Front . . . . .	-	-	1	1	* 924 614
	Left Front . . . . .	-	-	1	1	* 924 615
22-03-2	HUB, w/DRUM, Right Rear . . . . .	-	-	1	1	* 924 614
	Left Rear . . . . .	-	-	1	1	* 924 615
<b>22-04-0 WHEEL BRAKE DRUM</b>						
22-04-1	DRUM, Front . . . . .	-	-	2	2	* 924 400
	Screw or Bolt, 3/8"-16 x 1 1/4" . . . . .	-	-	6	6	* 133 906
22-04-2	DRUM, Rear . . . . .	-	-	2	2	* 924 400
	Screw or Bolt, 3/8"-16 x 1 1/4" . . . . .	-	-	6	6	* 133 906
22-04-17	OIL SLINGER . . . . .	-	-	4	4	* 924 600
22-04-28	COVER, Inspection Hole . . . . .	-	-	4	4	* 927 681
	Screw or Bolt, 1/4"-20 x 3/8" . . . . .	-	-	4	4	* 131 375
<b>22-05-0 WHEEL HUB</b>						
22-05-1	HUB, w/CUPS, Front . . . . .	-	-	2	2	* 923 781
22-05-4	HUB, w/CUPS, Rear . . . . .	-	-	2	2	* 923 781
22-05-14	STUD, Front and Rear, Right . . . . .	-	-	10	10	* 924 628
	Front and Rear, Left . . . . .	-	-	10	10	* 924 629
22-05-24	NUT, Stud, Front and Rear, Right . . . . .	-	-	10	10	* 585 192
	Front and Rear, Left . . . . .	-	-	10	10	* 585 193
<b>22-06-0 FRONT WHEEL BEARINGS</b>						
22-06-1	CONE and ROLLERS,					
	Inner . . . . .	-	-	2	2	* 927 017
	Outer . . . . .	-	-	2	2	* 927 018
22-06-2	CUP, Inner . . . . .	-	-	2	2	* 927 015
	Outer . . . . .	-	-	2	2	* 927 016
22-06-9	NUT, Adjusting,					
	Inner . . . . .	-	-	2	2	* 915 395
	Outer . . . . .	-	-	2	2	* 915 500
22-06-10	LOCK, Adjusting Nut . . . . .	-	-	2	2	* 915 397
22-06-18	OIL SEAL . . . . .	-	-	2	2	* 915 499
22-06-24	SNAP RING, Oil Seal . . . . .	-	-	2	2	* 915 498
<b>22-07-0 REAR WHEEL BEARINGS</b>						
22-07-1	CONE and ROLLERS,					
	Inner . . . . .	-	-	2	2	* 927 017
	Outer . . . . .	-	-	2	2	* 927 018
22-07-2	CUP, Inner . . . . .	-	-	2	2	* 927 015
	Outer . . . . .	-	-	2	2	* 927 016
22-07-6	NUT, Adjusting,					
	Inner . . . . .	-	-	2	2	* 915 395
	Outer . . . . .	-	-	2	2	* 915 398
22-07-8	LOCK, Adjusting Nut . . . . .	-	-	2	2	* 915 397
22-07-14	OIL SEAL, Inner . . . . .	-	-	2	2	* 915 499
	Outer . . . . .	-	-	2	2	* 915 496
22-07-27	SNAP RING, Oil Seal . . . . .	-	-	2	2	* 915 498
<b>22-11-0 WHEEL DISC RIM BASE SIDE RING</b>						
22-11-9	RING (16 x 5.50) . . . . .	-	-	5	5	* 580 723
	(16 x 6.50) . . . . .	-	-	5	5	*1189 383

★ Indicates use as required

☐ Indicates parts not listed in any previous parts books.

Series No. (1 indicates B-1 Series) (2 indicates B-2 Series) (3 indicates B-3 Series) (4 indicates B-4 Series)

Series No. (1 indicates C-1 Series) (3 indicates C-3 Series)

Where dash (-) is shown in Series Column Part is for All.

Prices and specifications subject to change without notice.

\* Indicates change or addition.

Printed in U.S.A.

April 30, 1956 Supersedes Jan. 30, 1953.

CODE	PART NAME AND DESCRIPTION	B	C	MODEL CODES		PART NO.
		SERIES NO.	SERIES NO.	WDX	PW	
<b>22-40-O SPARE TIRE CARRIER</b>						
22-40-5	BRACKET, Locking (Express only)	3,4	-	-	1	*1396 149
22-40-90	BRACKET, Support, w/STUD	-	-	1	1	*1189 192
	Bolt, 1/2" -20 x 1 1/2"	-	-	4	4	* 181 700
	Nut	-	-	4	4	* 120 371
	Washer, lock	-	-	4	4	* 120 384
22-40-205	BRACE	-	-	1	1	*1189 417
<b>22-48-O SPARE TIRE CARRIER LOCK</b>						
22-48-18	PLATE, CIPW UPTO 83939413	-	1	1	1	* 915 501
	CIPW AFTER 83939413		1,3		1	E1505 985
22-48-26	STUD, Plate to Support Bracket	1,2		1	1	* 915 123
	(up to serial No. 83927700 Det. and 88767011 Cal. Built)	3			1	* 915 123
	(after serial No. 83927700 Det. and 88767011 Cal. Built)	3			1	*1394 370
		4	1,3		1	*1394 370
22-48-28	NUT, Lock Plate to Support Bracket Stud	-	-	1	1	* 576 196
22-48-37	SUPPORT, Spare Wheel Locking Bracket, Front		3		1	E1560 982
	Rear		3		1	E1560 981

NOTES

---



---



---



---



---



---



---



---



---



---



---



---



---



---



---



---



---



---



---



---



---



---



---



---

★ Indicates use as required  
 □ Indicates parts not listed in any previous parts books.  
 Series No. (1 indicates B-1 Series) (2 indicates B-2 Series) (3 indicates B-3 Series) (4 indicates B-4 Series)  
 Series No. (1 indicates C-1 Series) (3 indicates C-3 Series)  
 Where dash (-) is shown in Series Column Part is for All.  
 Prices and specifications subject to change without notice.  
 \* Indicates change or addition.  
 Printed in U.S.A.  
 April 30, 1956 Supersedes Jan. 30, 1953.

