

GROUP 17 - SPRINGS

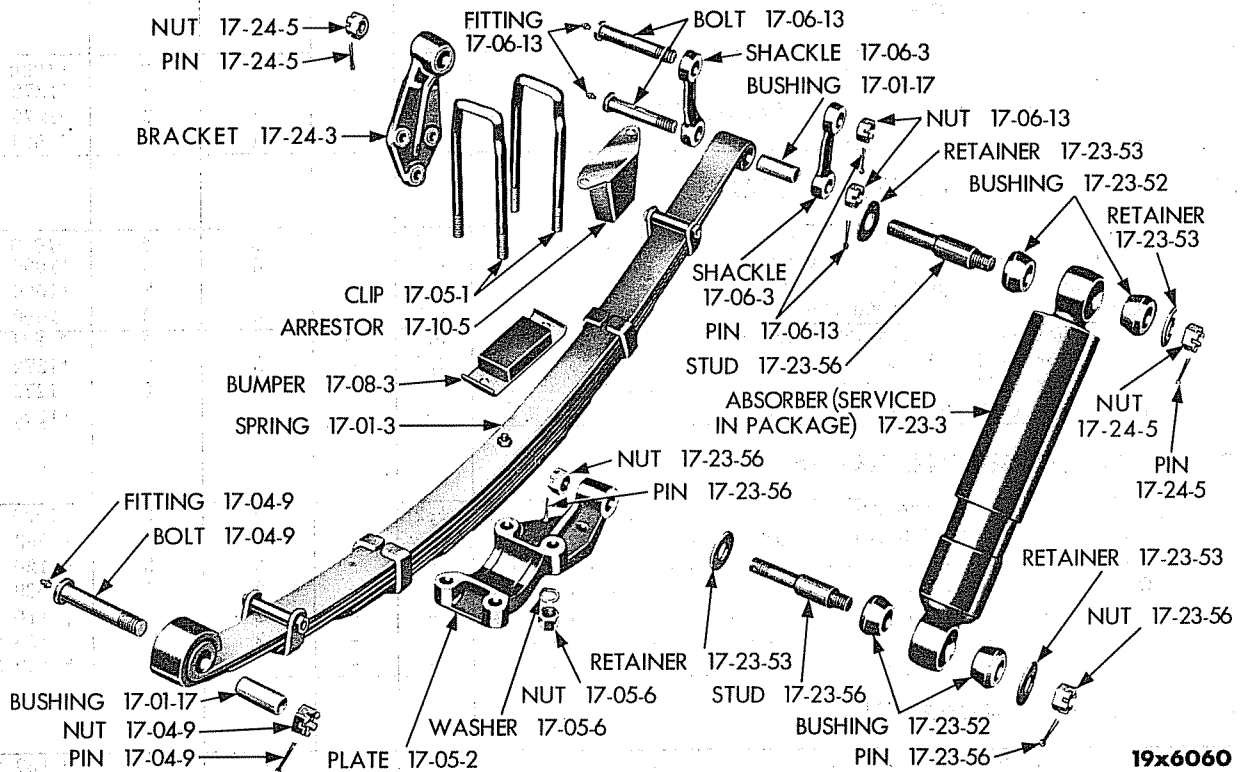


Plate 17-1

REAR SPRING

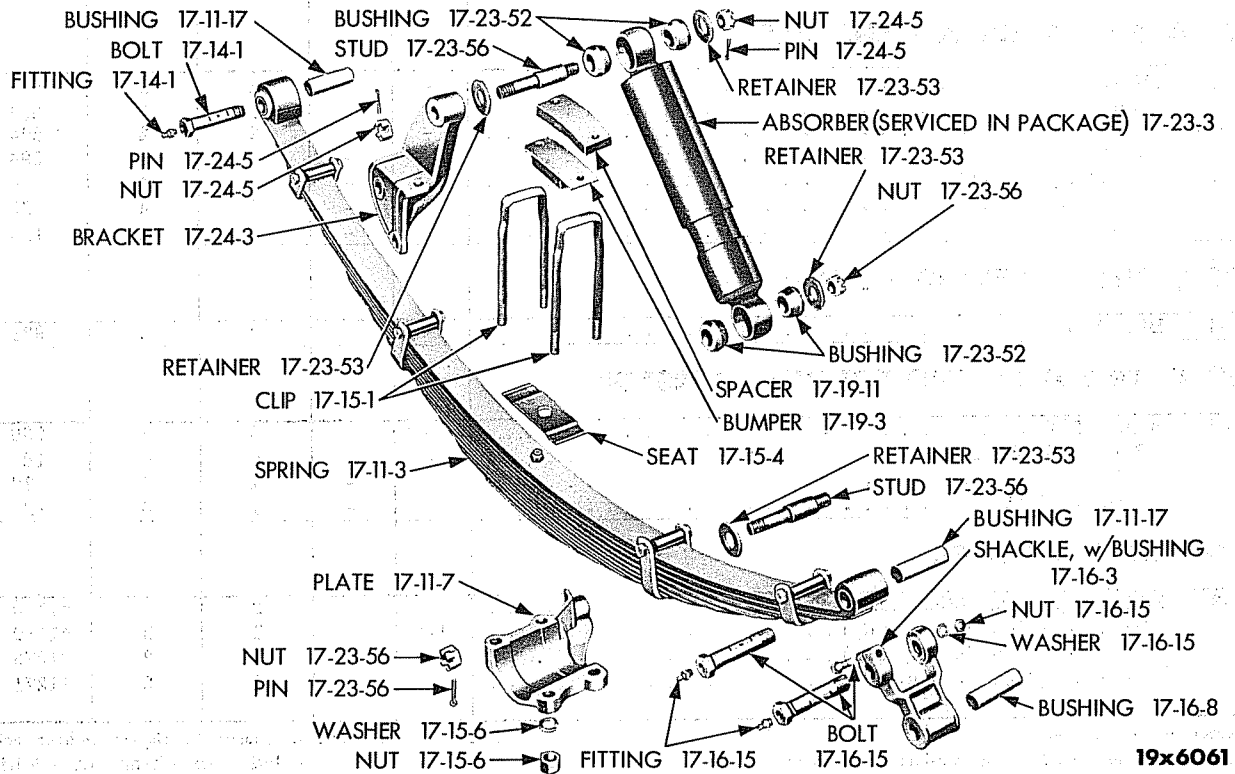


Plate 17-2

REAR SPRING

**POWER WAGON PARTS LIST**

SPRINGS

| CODE  | PART NAME AND DESCRIPTION                            | B<br>SERIES<br>NO. | C<br>SERIES<br>NO. | MODEL CODES |    | PART<br>NO. |
|---|--|--------------------|--------------------|-------------|----|-------------|
|   |  |                    |                    | WDX         | PW |             |
| <b>17-01-0 FRONT SPRINGS</b>                |  |                    |                    |             |    |             |
| 17-01-3                                     | SPRING (1110 lb. capacity) . . . . .                 | 1,2                | -                  | 2           | 2  | *1090 570   |
|   | (1150 lb. capacity) . . . . .                        | 3,4                | -                  |             | 2  | *1272 998   |
|   | (1600 lb. capacity) . . . . .                        | -                  | -                  | 2           | 2  | *1273 201   |
| 17-01-17                                    | BUSHING . . . . .                                    | -                  | -                  | 4           | 4  | * 564 263   |
| <b>17-02-0 FRONT MAIN SPRING LEAF</b>       |  |                    |                    |             |    |             |
| 17-02-5                                     | LEAF, Main. w/SPACER (for 1090 570 spring) . . . . . | 1,2                | -                  | 2           | 2  | *1090 573   |
|   | Auxiliary, No. 1 (for 1090 570 spring) . . . . .     | 1,2                | -                  | 2           | 2  | *1090 571   |
|   | Auxiliary, No. 2 (for 1090 570 spring) . . . . .     | 1,2                | -                  | 2           | 2  | *1090 572   |
|   | Auxiliary, No. 3 (for 1090 570 spring) . . . . .     | 1,2                | -                  | 2           | 2  | *1090 574   |
|   | No. 1 (for 1272 998 and 1273 201 springs) . . . . .  | 3,4                | -                  | 2           | 2  | * 921 187   |
|   | No. 2 (for 1272 998 and 1273 201 springs) . . . . .  | 3,4                | -                  | 2           | 2  | *1272 999   |
|   | No. 3 (for 1272 998 spring) . . . . .                | 3,4                | -                  | 2           | 2  | *1273 000   |
|   | No. 3 (for 1273 201 spring) . . . . .                | -                  | -                  | 2           | 2  | *1194 739   |
| <b>17-04-0 FRONT SPRING BOLTS</b>           |  |                    |                    |             |    |             |
| 17-04-1                                     | BOLT, Center (for 1090 570 spring) . . . . .         | 1,2                | -                  | 2           | 2  | *1090 844   |
|   | (for 1272 998 and 1273 201 springs) . . . . .        | -                  | -                  | 2           | 2  | * 593 805   |
|   | Nut . . . . .  | -                  | -                  | 2           | 2  | * 120 369   |
| 17-04-9                                     | BOLT, Rear . . . . .                                 | -                  | -                  | 2           | 2  | * 589 539   |
|   | Fitting, lubricant . . . . .                         | -                  | -                  | 2           | 2  | * 110 347   |
|   | Nut . . . . .  | -                  | -                  | 2           | 2  | * 125 267   |
|   | Pin, cotter . . . . .                                | -                  | -                  | 2           | 2  | * 119 209   |
| <b>17-05-0 FRONT SPRING CLIP</b>            |  |                    |                    |             |    |             |
| 17-05-1                                     | CLIP (8 3/4" lgh.) . . . . .                         | -                  | -                  | ★           | ★  | *1189 909   |
|   | (9 5/16" lgh.) . . . . .                             | -                  | -                  | ★           | ★  | * 599 110   |
|   | (9 11/16" lgh.) . . . . .                            | -                  | -                  | ★           | ★  | * 916 892   |
| 17-05-2                                     | PLATE, Left . . . . .                                | -                  | -                  | 1           | 1  | * 930 101   |
| 17-05-6                                     | NUT . . . . .  | -                  | -                  | 8           | 8  | * 55 481    |
|   | Washer, lock . . . . .                               | -                  | -                  | 8           | 8  | * 120 898   |
| <b>17-06-0 FRONT SPRING SHACKLE</b>         |  |                    |                    |             |    |             |
| 17-06-3                                     | SHACKLE, Inner . . . . .                             | -                  | -                  | 2           | 2  | * 594 261   |
|   | Outer . . . . .                                      | -                  | -                  | 2           | 2  | * 594 260   |
| 17-06-13                                    | BOLT, Upper . . . . .                                | -                  | -                  | 2           | 2  | * 594 262   |
|   | Lower . . . . .                                      | -                  | -                  | 2           | 2  | * 594 263   |
|   | Fitting, lubricant . . . . .                         | -                  | -                  | 4           | 4  | * 110 309   |
|   | Nut . . . . .  | -                  | -                  | 4           | 4  | * 125 267   |
|   | Pin, cotter . . . . .                                | -                  | -                  | 4           | 4  | * 119 209   |
| <b>17-08-0 FRONT SPRING BUMPER</b>          |  |                    |                    |             |    |             |
| 17-08-3                                     | BUMPER . . . . .                                     | -                  | -                  | 2           | 2  | * 921 394   |
| <b>17-10-0 FRONT SPRING TORQUE ARRESTOR</b> |  |                    |                    |             |    |             |
| 17-10-5                                     | ARRESTOR . . . . .                                   | -                  | -                  | 2           | 2  | * 930 090   |
|   | Bolt, 3/8"-24 x 1 1/4" . . . . .                     | -                  | -                  | 4           | 4  | * 181 639   |
|   | Nut . . . . .  | -                  | -                  | 4           | 4  | * 120 369   |
|   | Washer, lock . . . . .                               | -                  | -                  | 4           | 4  | * 120 382   |
| <b>17-11-0 REAR SPRINGS</b>                 |  |                    |                    |             |    |             |
| 17-11-3                                     | SPRING (11 leaf) (2500 lb. capacity) . . . . .       | -                  | -                  | 2           | 2  | *1189 875   |
|   | (14 leaf) (2500 lb. capacity) . . . . .              | 1-2                | -                  | 2           | 2  | *1189 425   |
|   | (12 leaf) (2500 lb. capacity) . . . . .              | 3,4                | -                  |             | 2  | *1273 003   |
|   | (14 leaf) (3000 lb. capacity) . . . . .              | -                  | -                  | 2           | 2  | *1271 367   |

★ Indicates use as required

☐ Indicates parts not listed in any previous parts books.

Series No. (1 indicates B-1 Series) (2 indicates B-2 Series) (3 indicates B-3 Series) (4 indicates B-4 Series)

Series No. (1 indicates C-1 Series) (3 indicates C-3 Series)

Where dash (-) is shown in Series Column Part is for All.

Prices and specifications subject to change without notice.

\* Indicates change or addition.

Printed in U.S.A.

April 30, 1956 Supersedes Jan. 30, 1953.

| CODE                                   | PART NAME AND DESCRIPTION                                     | B<br>SERIES<br>NO. | C<br>SERIES<br>NO. | MODEL CODES |    | PART<br>NO. |
|--|---|--------------------|--------------------|-------------|----|-------------|
|  |   |                    |                    | WDX         | PW |             |
| <b>17-11-0 REAR SPRINGS - Cont'd</b>   |   |                    |                    |             |    |             |
| 17-11-7                                | PLATE, Clip (w/o shock absorbers) . . . . .                   | -                  | -                  | 2           | 2  | * 915 729   |
|  | Right (w/shock absorbers) . . . . .                           | -                  | -                  | 1           | 1  | *1189 916   |
|  | Left (w/shock absorbers) . . . . .                            | -                  | -                  | 1           | 1  | * 930 081   |
| 17-11-17                               | BUSHING . . . . .   | -                  | -                  | 4           | 4  | * 576 042   |
| 17-11-26                               | ELBOW, Grease Fitting . . . . .                               | -                  | -                  | 2           | 2  | * 930 228   |
|  | Fitting, lubricant . . . . .                                  | 1,2                | -                  | 2           | 2  | * 191 758   |
|  | Fitting, lubricant . . . . .                                  | 3,4                | -                  | -           | 2  | * 145 435   |
| <b>17-12-0 REAR SPRING LEAF</b>        |   |                    |                    |             |    |             |
| 17-12-4                                | LEAF, Main Leaf Wrapper (for 1189 875 spring) . . . . .       | -                  | -                  | 2           | -  | *1090 838   |
|  | No. 1 (for 1189 425, 1271 367 and 1273 003 springs) . . . . . | -                  | -                  | 2           | 2  | *1189 426   |
|  | No. 2 (for 1189 425, 1271 367 and 1273 003 springs) . . . . . | -                  | -                  | 2           | 2  | *1189 427   |
|  | No. 3 (for 1189 875 spring) . . . . .                         | -                  | -                  | 2           | -  | *1189 960   |
|  | No. 3 (for 1189 425 spring) . . . . .                         | 1,2                | -                  | 2           | 2  | *1189 428   |
|  | No. 3 (for 1273 003 spring) . . . . .                         | 3,4                | -                  | -           | 2  | *1273 004   |
|  | No. 3 (for 1271 367 spring) . . . . .                         | -                  | -                  | 2           | 2  | *1271 368   |
|  | Auxillary, No. 2 (for 1189 875 spring) . . . . .              | -                  | -                  | 2           | -  | *1189 959   |
| <b>17-14-0 REAR SPRING CENTER BOLT</b> |   |                    |                    |             |    |             |
| 17-14-1                                | BOLT, Front . . . . .   | -                  | -                  | 2           | 2  | * 925 267   |
|  | Bolt, 3/8" -24 x 2 1/2" . . . . .                             | -                  | -                  | 2           | 2  | * 181 650   |
|  | Nut . . . . .   | -                  | -                  | 2           | 2  | * 120 369   |
|  | Washer, lock . . . . .  | -                  | -                  | 2           | 2  | * 120 382   |
| 17-14-10                               | BOLT, Center (for 1189 875 spring) . . . . .                  | -                  | -                  | 2           | -  | *1190 145   |
|  | (for 1189 425 and 1273 003 springs) . . . . .                 | -                  | -                  | 2           | 2  | * 593 805   |
|  | (for 1271 367 spring) . . . . .                               | -                  | -                  | 2           | 2  | * 593 806   |
|  | Nut . . . . .   | -                  | -                  | 2           | 2  | * 120 369   |
| <b>17-15-0 REAR SPRING CLIP</b>        |   |                    |                    |             |    |             |
| 17-15-1                                | CLIP (for 1189 875 and 1273 003 springs) . . . . .            | 3,4                | -                  | 4           | 4  | * 599 110   |
|  | (for 1189 425 spring) . . . . .                               | 1,2                | -                  | 4           | 4  | * 916 892   |
|  | (for 1271 367 spring) . . . . .                               | -                  | -                  | 4           | 4  | * 929 345   |
| 17-15-4                                | SEAT . . . . .  | -                  | -                  | 2           | 2  | *1090 587   |
| 17-15-6                                | NUT . . . . .   | -                  | -                  | 8           | 8  | * 55 481    |
|  | Washer, lock . . . . .  | -                  | -                  | 8           | 8  | * 120 898   |
| <b>17-16-0 REAR SPRING SHACKLE</b>     |   |                    |                    |             |    |             |
| 17-16-3                                | SHACKLE, w/BUSHING (for 1189 875 spring) . . . . .            | -                  | -                  | 2           | -  | * 925 265   |
|  | (for 1189 425, 1273 003 and 1271 367 springs) . . . . .       | -                  | -                  | 2           | 2  | * 921 033   |
| 17-16-8                                | BUSHING . . . . .   | -                  | -                  | 2           | 2  | * 576 030   |
| 17-16-15                               | BOLT . . . . .  | -                  | -                  | 4           | 4  | * 925 267   |
|  | Bolt, 3/8" -24 x 2 1/2" . . . . .                             | -                  | -                  | 4           | 4  | * 181 650   |
|  | Nut . . . . .   | -                  | -                  | 4           | 4  | * 120 369   |
|  | Washer, lock . . . . .  | -                  | -                  | 4           | 4  | * 120 382   |
|  | Fitting, lubricant . . . . .                                  | 1,2                | -                  | 4           | 4  | * 191 758   |
|  | Fitting, lubricant . . . . .                                  | 3,4                | -                  | -           | 4  | * 145 433   |
| <b>17-19-0 REAR SPRING BUMPER</b>      |   |                    |                    |             |    |             |
| 17-19-3                                | BUMPER . . . . .  | -                  | -                  | 2           | 2  | * 924 161   |
|  | Bolt, 3/8" -24 x 1 3/4" . . . . .                             | -                  | -                  | 4           | 4  | * 181 646   |
|  | Nut . . . . .   | -                  | -                  | 4           | 4  | * 120 369   |
|  | Washer, lock . . . . .  | -                  | -                  | 4           | 4  | * 120 382   |
| 17-19-11                               | SPACER . . . . .  | -                  | -                  | 2           | 2  | *1090 579   |

★ Indicates use as required

⊔ Indicates parts not listed in any previous parts books.

Series No. (1 indicates B-1 Series) (2 indicates B-2 Series) (3 indicates B-3 Series) (4 indicates B-4 Series)

Series No. (1 indicates C-1 Series) (3 indicates C-3 Series)

Where dash (-) is shown in Series Column Part is for All.

Prices and specifications subject to change without notice.

\* Indicates change or addition.

Printed in U.S.A.

April 30, 1956 Supersedes Jan. 30, 1953.

**POWER WAGON PARTS LIST**

SPRINGS

| CODE   | PART NAME AND DESCRIPTION  | B<br>SERIES<br>NO. | C<br>SERIES<br>NO. | MODEL CODES |    | PART<br>NO. |
|--|--|--------------------|--------------------|-------------|----|-------------|
|  |  |                    |                    | WDX         | PW |             |
| <b>17-23-0 SHOCK ABSORBERS</b>                           |  |                    |                    |             |    |             |
| 17-23-3  | ABSORBER and BUSHING PACKAGE, Shock, UP TO 83947425, Front . . . . . | -                  | -                  | 2           | 2  | *1321 288   |
|  | UP TO 83947425 Rear . . . . .  | -                  | -                  | 2           | 2  | *1325 974   |
|  | AFTER 83947425 Front . . . . .                                       |                    | 3                  |             | 2  | E1653 453   |
|  | AFTER 83947425 Rear . . . . .  |                    | 3                  |             | 2  | E1653 454   |
| 17-23-4  | FLUID (quart) . . . . .  | -                  | -                  | ★           | ★  | * 680 177   |
| 17-23-44   | SPACER, Rear Shock Absorber Frame Bracket w/1653 454 . . . . .       |                    | 3                  |             | 2  | * 581 519   |
|  | Rivet . . . . .  |                    | 3                  |             | 2  | * 104 085   |
| 17-23-52   | BUSHING, w/1321 288 - 1325 974 . . . . .                             | -                  | -                  | 16          | 16 | * 930 048   |
|  | BUSHING, w/1653 453 - 54 . . . . .                                   | -                  | 3                  |             | 8  | *1319 902   |
| 17-23-53   | RETAINER, Bushing w/1321 288 - 1325 974 . . . . .                    | -                  | -                  | 16          | 16 | * 930 050   |
|  | WASHER, w/1653 453 - 54 Inner . . . . .                              |                    | 3                  |             | 8  | *1319 555   |
|  | WASHER, w/1653 453 - 54 Outer . . . . .                              |                    | 3                  |             | 8  | *1319 554   |
| 17-23-56   | STUD, Anchor w/1321288 - 1325974 . . . . .                           | -                  | -                  | 4           | 4  | *1090 882   |
|  | Nut . . . . .  | -                  | -                  | 4           | 4  | * 128 180   |
|  | Pin, cotter . . . . .  | -                  | -                  | 4           | 4  | * 103 399   |
|  | STUD, Anchor w/1653 453 . . . . .                                    |                    | 3                  |             | 4  | *1272 724   |
|  | w/1653 454 . . . . .   |                    | 3                  |             | 2  | E1661 525   |
|  | Nut w/1653 453 . . . . .   |                    | 3                  |             | 4  | * 272 892   |
| <b>17-24-0 SHOCK ABSORBER TO FRAME BRACKET</b>           |  |                    |                    |             |    |             |
| 17-24-3  | BRACKET, Frame, Front w/1321 288 . . . . .                           | -                  | -                  | 2           | 2  | * 930 078   |
|  | Bolt, 5/8"-18 x 2" . . . . .   | -                  | -                  | 6           | 6  | * 271 748   |
|  | Washer, lock . . . . .   | -                  | -                  | 6           | 6  | * 121 574   |
|  | BRACKET, Frame, Right Front w/1653 453 . . . . .                     |                    | 3                  |             | 1  | E1661 510   |
|  | Left Front w/1653 453 . . . . .                                      |                    | 3                  |             | 1  | E1661 511   |
|  | Bolt . . . . .   |                    | 3                  |             | 4  | * 181 668   |
|  | Nut . . . . .  |                    | 3                  |             | 4  | * 271 506   |
|  | Washer, lock . . . . .   |                    | 3                  |             | 4  | * 120 383   |
|  | BRACKET, Frame, Right Rear w/1325 974 . . . . .                      | -                  | -                  | 1           | 1  | * 930 236   |
|  | Left Rear w/1325 974 . . . . .                                       | -                  | -                  | 1           | 1  | * 930 237   |
|  | Bolt, 1/2"-20 x 1 1/2" . . . . .                                     | -                  | -                  | 2           | 2  | * 181 700   |
|  | Nut . . . . .  | -                  | -                  | 2           | 2  | * 120 371   |
|  | Washer, lock . . . . .   | -                  | -                  | 2           | 2  | * 120 384   |
|  | Bolt . . . . .   | -                  | -                  | 4           | 4  | * 271 748   |
|  | BRACKET, Frame, Right Rear w/1653 454 . . . . .                      |                    | 3                  |             | 1  | E1661 518   |
|  | Left Rear w/1653 454 . . . . .                                       |                    | 3                  |             | 1  | E1661 519   |
|  | Bolt . . . . .   |                    | 3                  |             | 6  | * 181 637   |
|  | Nut . . . . .  |                    | 3                  |             | 6  | * 120 369   |
|  | Washer, lock . . . . .   |                    | 3                  |             | 6  | * 120 382   |
| 17-24-4  | NUT, Frame Bracket Bolt w/1321 288 - 1325 974 . . . . .              | -                  | -                  | 10          | 10 | *1090 636   |
| 17-24-10   | BRACKET, Axle, w/STUD, Right Rear . . . . .                          |                    | 3                  |             | 1  | E1661 526   |
|  | Left Rear . . . . .  |                    | 3                  |             | 1  | E1661 527   |
| 17-24-19   | REINFORCEMENT, Frame Bracket, Right Rear w/1325 974 . . . . .        | -                  | -                  | 1           | 1  | *1090 768   |
|  | Left Rear w/1325 974 . . . . .                                       | -                  | -                  | 1           | 1  | *1090 769   |
| <b>17-26-0 SHOCK ABSORBER COMPONENT PARTS</b>            |  |                    |                    |             |    |             |
| NOTE: FOR SHOCK ABSORBERS 1653453 Front and 1653454 Rear |  |                    |                    |             |    |             |
| 17-26-6  | TUBE, Cylinder Front . . . . .                                       |                    | 3                  |             | 2  | *1328 870   |
| 17-26-11   | PISTON . . . . .   |                    | 3                  |             | 4  | *1313 661   |
| 17-26-12   | NUT . . . . .  |                    | 3                  |             | 4  | *1314 336   |
| 17-26-14   | WASHER, Piston . . . . .   |                    | 3                  |             | 4  | * 689 787   |
| 17-26-15   | SPACER, Piston Washer . . . . .                                      |                    | 3                  |             | 4  | * 689 790   |
| 17-26-16   | VALVE, Piston Intake . . . . .                                       |                    | 3                  |             | 4  | * 689 785   |
| 17-26-18   | SPRING, Intake Valve Spider . . . . .                                |                    | 3                  |             | 4  | * 689 786   |
| 17-26-19   | GUIDE, Piston Rod . . . . .  |                    | 3                  |             | 4  | *1313 740   |
| 17-26-20   | SPRING, Piston Rod Guide Seal . . . . .                              |                    | 3                  |             | 4  | *1313 737   |
| 17-26-22   | NUT, Piston Rod Guide Retainer . . . . .                             |                    | 3                  |             | 4  | *1313 741   |
| 17-26-23   | GASKET, Piston Rod Guide Seal . . . . .                              |                    | 3                  |             | 4  | *1313 738   |

★ Indicates use as required

Prices and specifications subject to change without notice.

□ Indicates parts not listed in any previous parts books.

\* Indicates change or addition.

Series No. (1 indicates B-1 Series) (2 indicates B-2 Series) (3 indicates B-3 Series) (4 indicates B-4 Series)

Series No. (1 indicates C-1 Series) (3 indicates C-3 Series)

Printed in U.S.A.

Where dash (-) is shown in Series Column Part is for All.

April 30, 1956 Supersedes Jan. 30, 1953.

| CODE   | PART NAME AND DESCRIPTION                            | B<br>SERIES<br>NO. | C<br>SERIES<br>NO. | MODEL CODES |    | PART<br>NO. |
|--|--|--------------------|--------------------|-------------|----|-------------|
|  |  |                    |                    | WDX         | PW |             |
| <b>17-26-0 SHOCK ABSORBER COMPONENT PARTS - Cont'd</b> |  |                    |                    |             |    |             |
| 17-26-24   | RETAINER, Piston Rod Guide Seal . . . . .            |                    | 3                  |             | 4  | *1313 736   |
| 17-26-25   | SEAL, Piston Rod Guide . . . . .                     |                    | 3                  |             | 4  | *1313 739   |
| 17-26-28   | CAP, Piston Rod Guide Seal . . . . .                 |                    | 3                  |             | 4  | *1313 735   |
| 17-26-31   | SPRING, Piston Rebound Valve Front . . . . .         |                    | 3                  |             | 2  | * 852 120   |
|  | SPRING, Piston Rebound Valve Rear . . . . .          |                    | 3                  |             | 2  | * 677 860   |
| 17-26-32   | DISC, Piston Rebound Valve Spring, Front . . . . .   |                    | 3                  |             | 2  | *1266 439   |
|  | DISC, Piston Rebound Valve Spring, Rear . . . . .    |                    | 3                  |             | 2  | *1271 954   |
| 17-26-36   | SEAT, Piston Rebound Valve Spring . . . . .          |                    | 3                  |             | 4  | * 689 794   |
| 17-26-37   | PLATE, Piston Rebound Valve Back . . . . .           |                    | 3                  |             | 4  | * 689 793   |
| 17-26-38   | PLATE, Piston Rebound Valve Orifice, Front . . . . . |                    | 3                  |             | 2  | *1265 840   |
| 17-26-40   | BAFFLE, Reservoir . . . . .                          |                    | 3                  |             | 4  | *1314 331   |

**NOTES**

---

---

---

---

---

---

---

---

---

---

---

---

---

---

---

---

---

---

---

---

---

---

---

---

---

★ Indicates use as required

☐ Indicates parts not listed in any previous parts books.

Series No. (1 indicates B-1 Series) (2 indicates B-2 Series) (3 indicates B-3 Series) (4 indicates B-4 Series)

Series No. (1 indicates C-1 Series) (3 indicates C-3 Series)

Where dash (-) is shown in Series Column Part is for All.

Prices and specifications subject to change without notice.

\* Indicates change or addition.

Printed in U.S.A.  
April 30, 1956.

