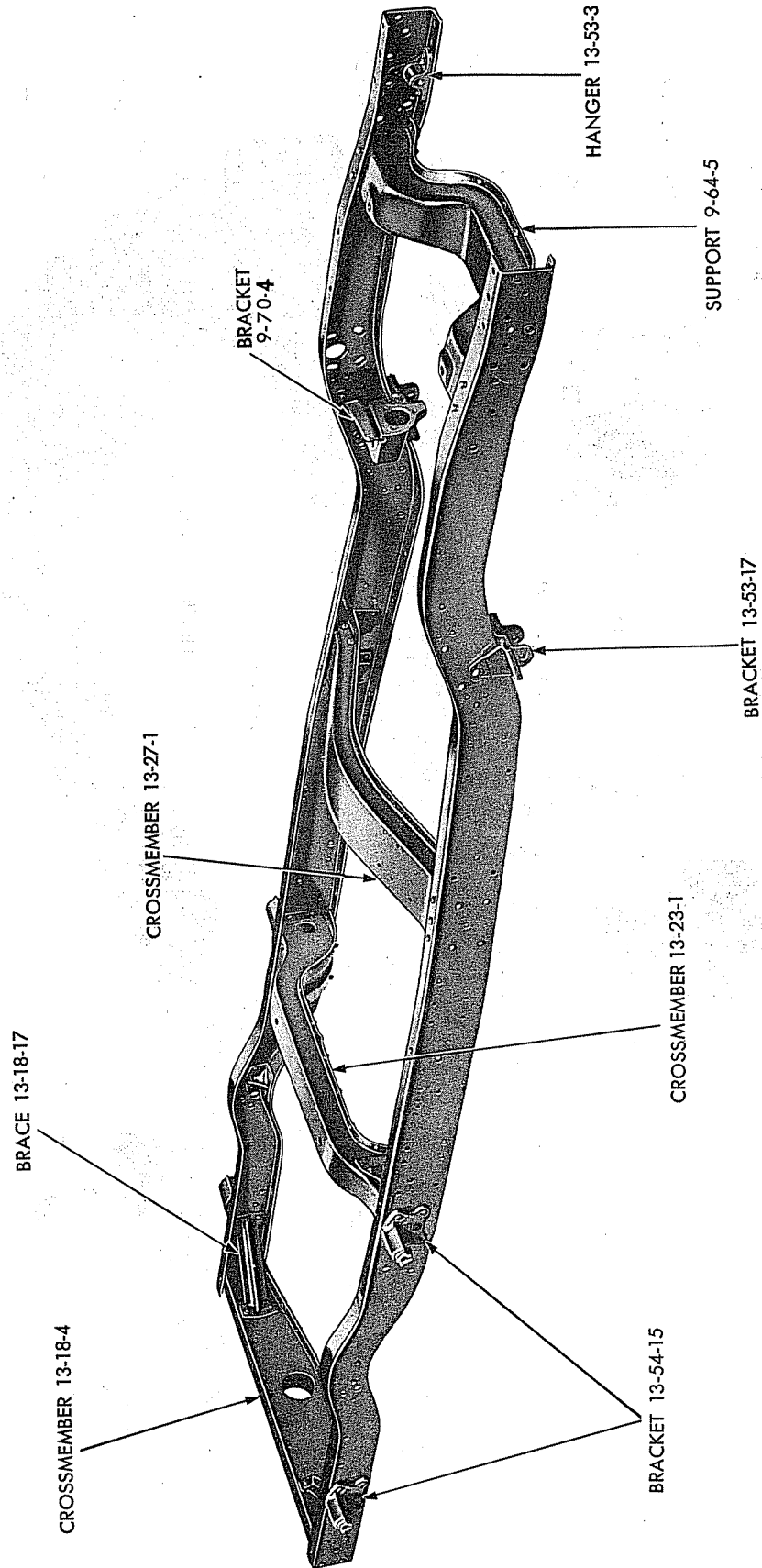


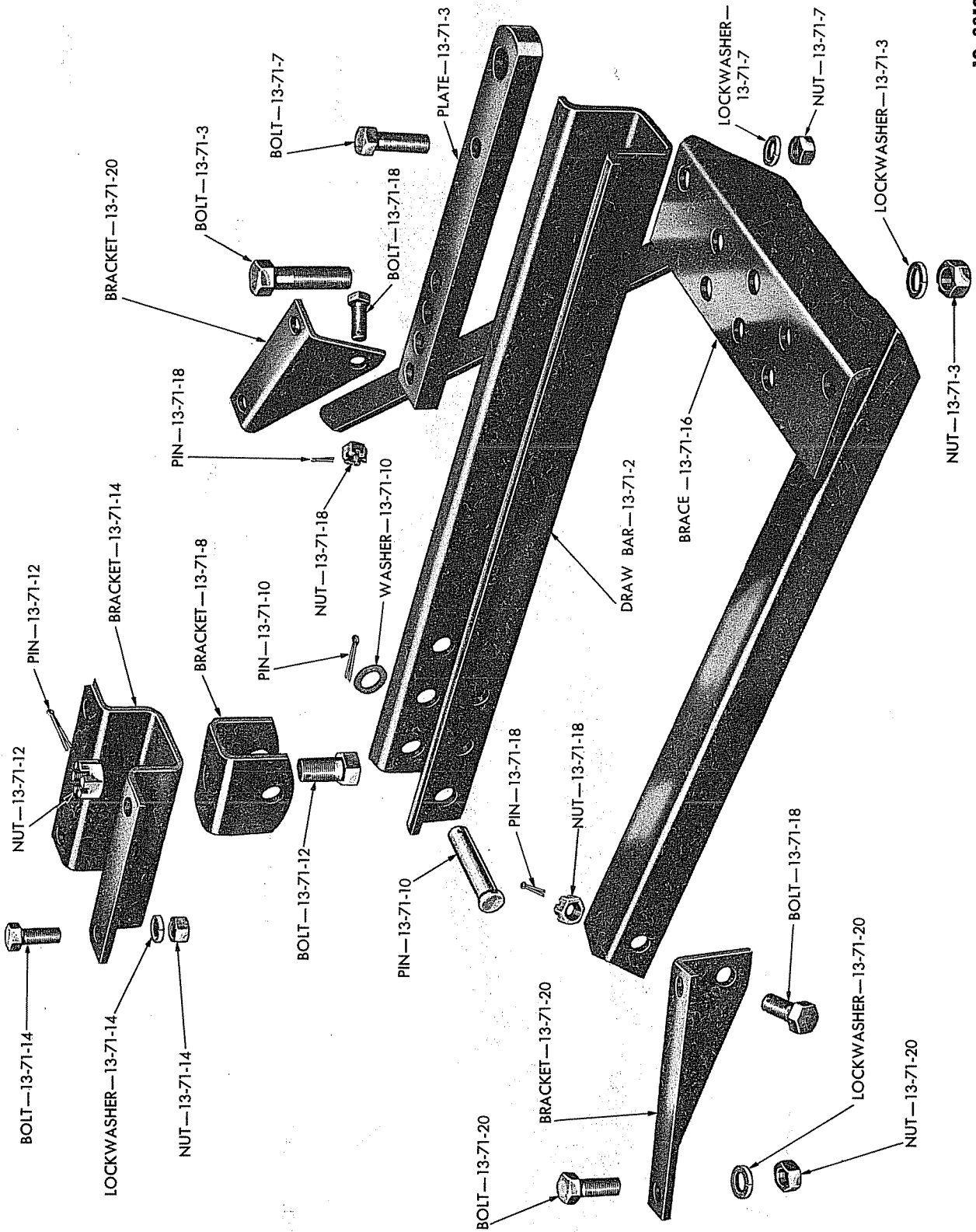
GROUP 13 - FRAME



19x6204

FRAME

Plate 13-1



19x3810 A

DRAW BAR

Plate 13-2

POWER WAGON PARTS LIST

FRAME

CODE	PART NAME AND DESCRIPTION	B SERIES NO.	C SERIES NO.	MODEL CODES		PART NO.
				WDX	PW	
13-01-0 FRAME ASSEMBLY						
13-01-1	FRAME	-	-	1	1	*1271 235
13-15-0 FUEL TANK SUPPORT CROSSMEMBER						
13-15-1	CROSSMEMBER	-	-	1	1	*1189 227
	Bolt, 3/8"-24 x 1"			4	4	* 181 637
	Nut			4	4	* 120 369
	Washer, lock			4	4	* 120 382
13-18-0 REAR CROSSMEMBER						
13-18-4	CROSSMEMBER, Rear	-	-	1	1	*1189 214
13-18-17	BRACE	-	-	2	2	*1189 215
13-32-0 FRAME CLINCH NUT						
13-32-1	NUT, Side Rail Weld	-	-	4	4	* 657 417
	NUT, Radiator Support Bracket Weld	-	-	2	2	* 657 417
	NUT, Battery Tray Support Weld	-	-	1	1	* 657 419
13-33-0 BATTERY SUPPORT						
13-33-61	TRAY, Battery (6 volt)	-	-	1	1	*1189 196
	(12 volt)	-	-	1	1	* 921 793
	Bolt, 3/8"-24 x 1"	-	-	1	1	* 181 637
	Bolt, 3/8"-24 x 1 1/4"	-	-	2	2	* 181 639
	Nut	-	-	3	3	* 120 369
	Washer, lock	-	-	3	3	* 120 382
13-33-64	TUBE, Drain	-	-	1	1	* 785 785
13-33-65	SUPPORT, Tray	-	-	1	1	* 921 401
	Bolt, 1/2"-20 x 1 1/4" (to crossmember)	-	-	1	1	* 181 698
	Washer, lock (to crossmember)	-	-	1	1	* 120 384
13-34-0 BATTERY HOLD-DOWN COVER						
13-34-3	COVER (6 volt)	-	-	1	1	*1450 495
	(12 volt)	-	-		1	*1506 448
13-34-6	BOLT	-	-	2	2	* 589 496
	Nut	-	-	2	2	* 120 377
	Washer, lock	-	-	2	2	* 120 382
13-39-0 FRAME BODY BRACKET						
13-39-1	BRACKET, Hold-Down	-	-	2	2	*1189 183
	Rivet	-	-	6	6	* 108 684
13-39-26	BRACKET, Cab Hold-Down, Front Right	-	-	1	1	*1270 930
	Left	-	-	1	1	*1270 931
	Cab Hold-Down, Rear Right	-	-	1	1	*1270 934
	Rear Left	-	-	1	1	*1270 935
	Bolt, 3/8"-24 x 1" (rear)	-	-	4	4	* 181 637
	Bolt, 3/8"-24 x 1 1/4" (front)	-	-	4	4	* 181 639
	Nut	-	-	8	8	* 120 369
	Washer, lock	-	-	8	8	* 120 382
	Rivet	-	-	16	16	* 108 684

★ Indicates use as required

☐ Indicates parts not listed in any previous parts books.

Series No. (1 indicates B-1 Series) (2 indicates B-2 Series) (3 indicates B-3 Series) (4 indicates B-4 Series)

Series No. (1 indicates C-1 Series) (3 indicates C-3 Series)

Where dash (-) is shown in Series Column Part is for All.

Prices and specifications subject to change without notice.

* Indicates change or addition.

Printed in U.S.A.

April 30, 1956 Supersedes Jan. 30, 1953.

POWER WAGON PARTS LIST

FRAME

CODE	PART NAME AND DESCRIPTION	B SERIES NO.	C SERIES NO.	MODEL CODES		PART NO.
				WDX	PW	
13-42-0 REAR EXTENSION						
13-42-5	EXTENSION, Side Rail, Right	-	-	1	1	*1189 302
	Left	-	-	1	1	*1189 303
	Bolt, 5/8"-18 x 1 1/2"	-	-	2	2	* 271 744
	Nut	-	-	2	2	* 121 358
	Washer, lock	-	-	2	2	* 121 574
	Bolt, 1/2"-20 x 1 1/4"	-	-	10	10	* 181 698
	Nut	-	-	10	10	* 120 371
	Washer, lock	-	-	10	10	* 120 384
13-46-0 TRANSFER CASE CROSSMEMBER GUSSETS						
13-46-18	GUSSET, Rear, Right	-	-	1	1	* 924 158
	Left	-	-	1	1	* 924 159
	Front, Right	-	-	1	1	* 924 156
	Left	-	-	1	1	* 924 157
13-48-0 RUNNING BOARD HANGER						
13-48-1	HANGER	-	-	6	6	921 845
	Bolt 3/8" - 24 x 1 1/4"	-	-	6	6	* 181 639
	Nut	-	-	6	6	120 369
	Washer, lock	-	-	6	6	178 551
	Bolt, 1/1"-20 x 1 1/4"	-	-	6	6	* 181 698
	Nut	-	-	6	6	120 371
	Washer, lock	-	-	6	6	178 591
13-53-0 FRAME FRONT SPRING HANGER						
13-53-3	HANGER, w/BUSHING, Front	-	-	2	2	921 420
13-53-5	BUSHING, Hanger	-	-	2	2	594 254
13-53-17	Rear, Right	-	-	1	1	930 170
	Left	-	-	1	1	930 171
13-54-0 FRAME REAR SPRING BRACKETS						
13-54-15	BRACKET, Front (3 31/32" wide)	-	-	2	-	1089 205
	Rear (3 13/16" wide)	-	-	2	-	921 032
		-	-		4	* 921 032
13-61-0 TOW HOOKS						
13-61-2	HOOK	-	-	2	2	1189 195
13-61-3	SCREW, Front to Frame Rear	-	-	2	2	660 378
	Nut	-	-	2	2	120 371
	Washer, lock	-	-	2	2	120 384
13-62-0 PINTLE HOOK						
13-62-2	HOOK (complete)	-	-	1	1	920 762
	(partial)	-	-	1	1	928 361
	Bolt, 5/8"-18 x 1 5/8"	-	-	4	4	* 271 745
	Washer, lock	-	-	4	4	121 574
13-62-4	PIN	-	-	1	1	929 843
13-62-6	LATCH	-	-	1	1	928 364
13-62-7	ROLLER, Latch	-	-	1	1	928 366
13-62-8	PIN, Latch Roller	-	-	1	1	928 367
13-62-9	SPRING, Latch	-	-	1	1	928 368
13-62-10	PIN, Latch	-	-	1	1	928 365
	Pin, cotter	-	-	1	1	137 254

★ Indicates use as required

☐ Indicates parts not listed in any previous parts books.

Series No. (1 indicates B-1 Series) (2 indicates B-2 Series) (3 indicates B-3 Series) (4 indicates B-4 Series)

Series No. (1 indicates C-1 Series) (3 indicates C-3 Series)

Where dash (-) is shown in Series Column Part is for All.

Prices and specifications subject to change without notice.

* Indicates change or addition.

Printed in U.S.A.

April 30, 1956 Supersedes June 15, 1954.

CODE	PART NAME AND DESCRIPTION	B SERIES NO.	C SERIES NO.	MODEL CODES		PART NO.
				WDX	PW	
13-64-O FRONT BUMPER						
13-64-3	BUMPER (w/o winch)	-	-	1	1	921 483
	Right (w/winch)	-	-	1	1	921 488
	Left (w/winch)	-	-	1	1	921 489
	Bolt, 1/1"-20 x 1 1/4"	-	-	8	8	* 181 698
	Nut	-	-	8	8	120 371
	Washer, lock	-	-	8	8	120 384
13-64-72	BRACKET, Support, Right	-	-	1	1	1090 168
	Left	-	-	1	1	1090 169
	Bolt, 1/2"-20 x 1 1/4"	-	-	8	8	* 181 698
	Nut	-	-	8	8	120 371
	Washer, lock	-	-	8	8	120 384
13-64-136	BRACKET, Reinforcement, Right (w/winch)	-	-	1	1	921 484
	Left (w/winch)	-	-	1	1	921 485
	Right (w/o winch)	-	-	1	1	E1660 360
	Left (w/o winch)	-	-	1	1	E1660 361
	Bolt, 1/2"-20 x 1 1/4"	-	-	8	8	* 181 698
	Nut	-	-	8	8	120 371
	Washer, lock	-	-	8	8	120 384
13-68-O FRONT BUMPER GUARDS						
13-68-32	GUARD, Headlamp	-	-	2	2	1276 558
	Screw, 3/8"-24 x 1"	-	-	4	4	* 181 637
	Nut	-	-	4	4	120 369
13-68-36	WASHER, Headlamp Guard to Radiator Guard Lock	-	-	4	4	1093 885
13-71-O DRAW BAR						
13-71-2	BAR	-	-	1	1	1194 913
13-71-3	PLATE, Hitch	-	-	1	1	1194 917
	Bolt, 5/8"-18 x 2 1/4"	-	-	1	1	* 271 749
	Nut	-	-	1	1	121 358
	Washer, lock	-	-	1	1	121 574
13-71-7	BOLT, Hitch Plate	-	-	1	1	660 378
	Nut	-	-	1	1	120 371
	Washer, lock	-	-	1	1	120 384
13-71-8	BRACKET, Support (up to serial No. 83929259)	1, 2, 3	-	1	1	1194 914
	(after serial No. 83929259)	3, 4	-	1	1	1392 997
13-71-10	PIN, to Support Bracket	-	-	1	1	1189 882
	Pin, cotter	-	-	1	1	119 209
	Washer, plain	-	-	1	1	131 016
13-71-12	BOLT, Support Bracket to Frame Bracket (up to serial No. 83929259 Det.)	1, 2, 3	-	1	1	1189 884
	Nut	-	-	1	1	128 180
	Pin, cotter	-	-	1	1	119 209
13-71-14	BRACKET, Support Frame (up to serial No. 83929259 Det.)	1, 2, 3	-	1	1	1194 915
	(after serial No. 83929259 Det.)	3, 4	-	1	1	1392 996
	Bolt, 1/2"-20 x 1 1/4"	-	-	4	4	181 698
	Nut	-	-	4	4	120 371
	Washer, lock	-	-	4	4	120 384
13-71-16	BRACE	-	-	1	1	1194 916
13-71-18	BOLT, Brace	-	-	2	2	1189 888
	Nut	-	-	2	2	125 250
	Pin, cotter	-	-	2	2	108 636
13-71-20	BRACKET, Brace Frame, Right	-	-	1	1	1194 918
	Left	-	-	1	1	1194 919
	Bolt, 1/2"-20 x 1 1/4"	-	-	4	4	* 181 698
	Nut	-	-	4	4	120 371
	Washer, lock	-	-	4	4	120 384

★ Indicates use as required

E Indicates parts not listed in any previous parts books.

Series No. (1 indicates B-1 Series) (2 indicates B-2 Series) (3 indicates B-3 Series) (4 indicates B-4 Series)

Series No. (1 indicates C-1 Series) (3 indicates C-3 Series)

Where dash (-) is shown in Series Column Part is for All.

Prices and specifications subject to change without notice.

* Indicates change or addition.

Printed in U.S.A.

April 30, 1956 Supersedes June 15, 1954.

