

GROUP 1 - ACCESSORIES

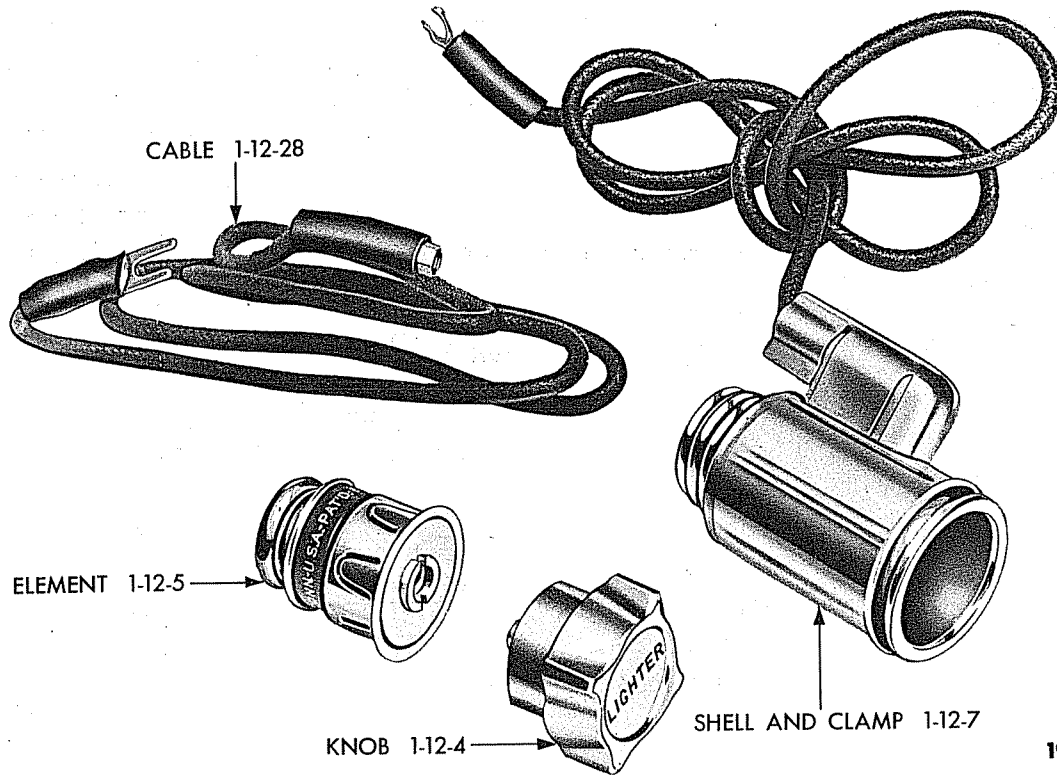


Plate 1-1

CIGAR LIGHTER PACKAGE (1-12-1)

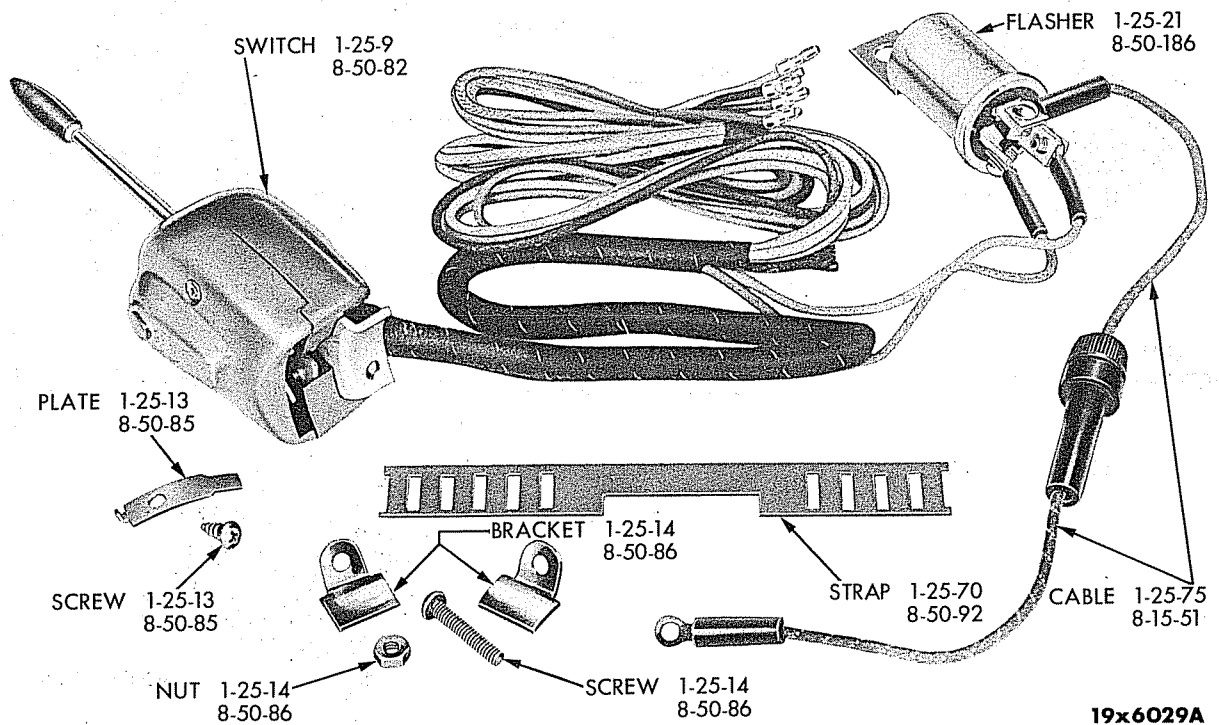


Plate 1-2

DIRECTIONAL SIGNAL SWITCH (SELF-CANCELLING TYPE)

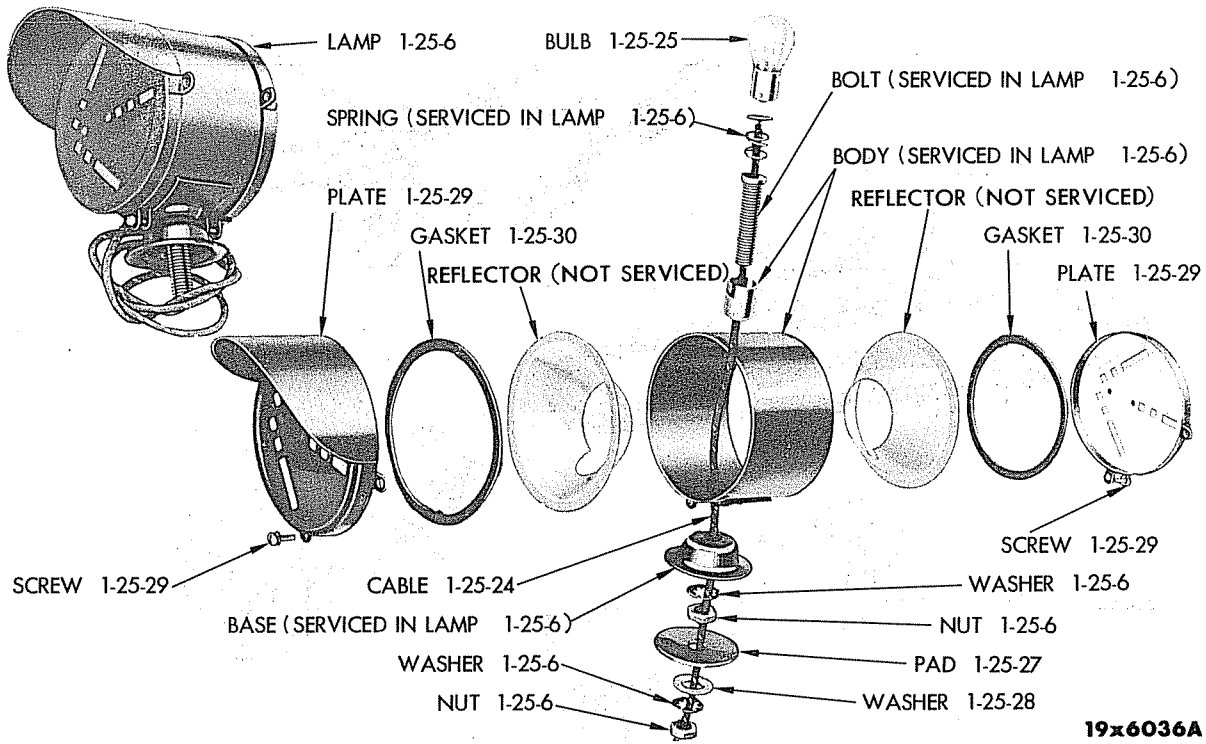


Plate 1-3

DIRECTIONAL SIGNAL LAMP PACKAGE (DOUBLE FACE) (1-25-1)

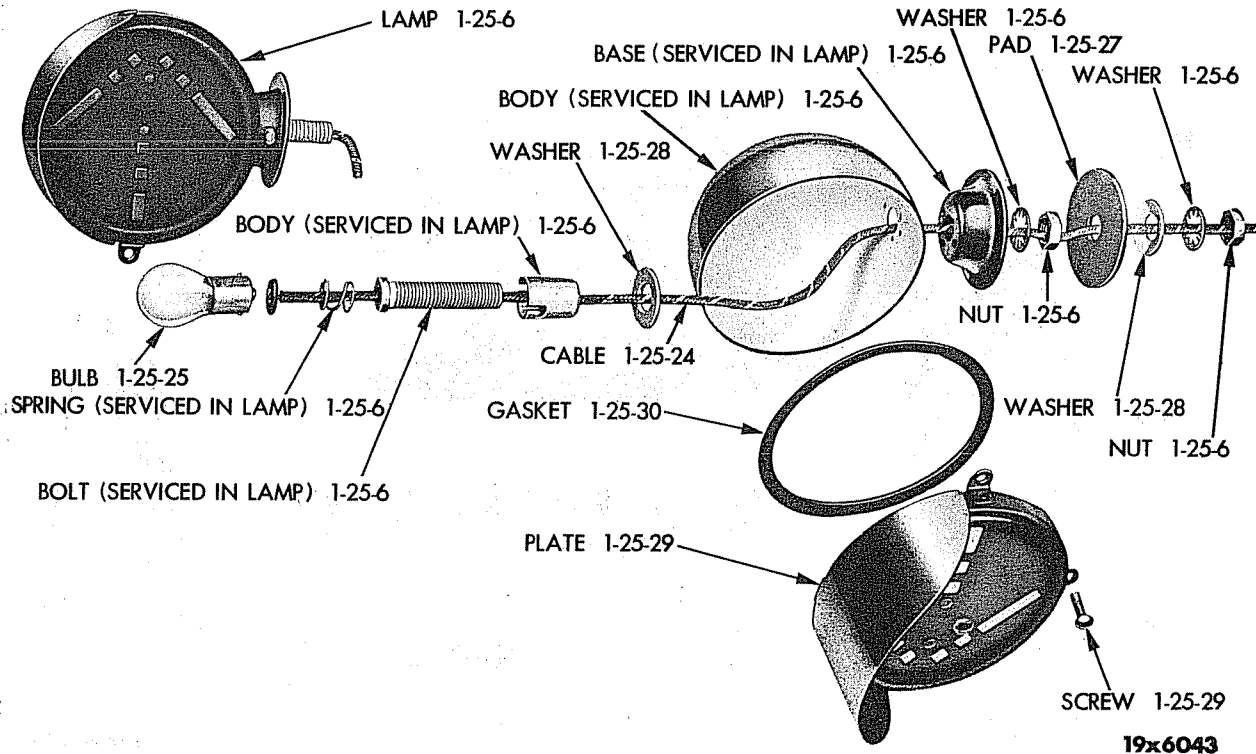


Plate 1-4

DIRECTIONAL SIGNAL LAMP PACKAGE (SINGLE-FACE) (1-25-1)

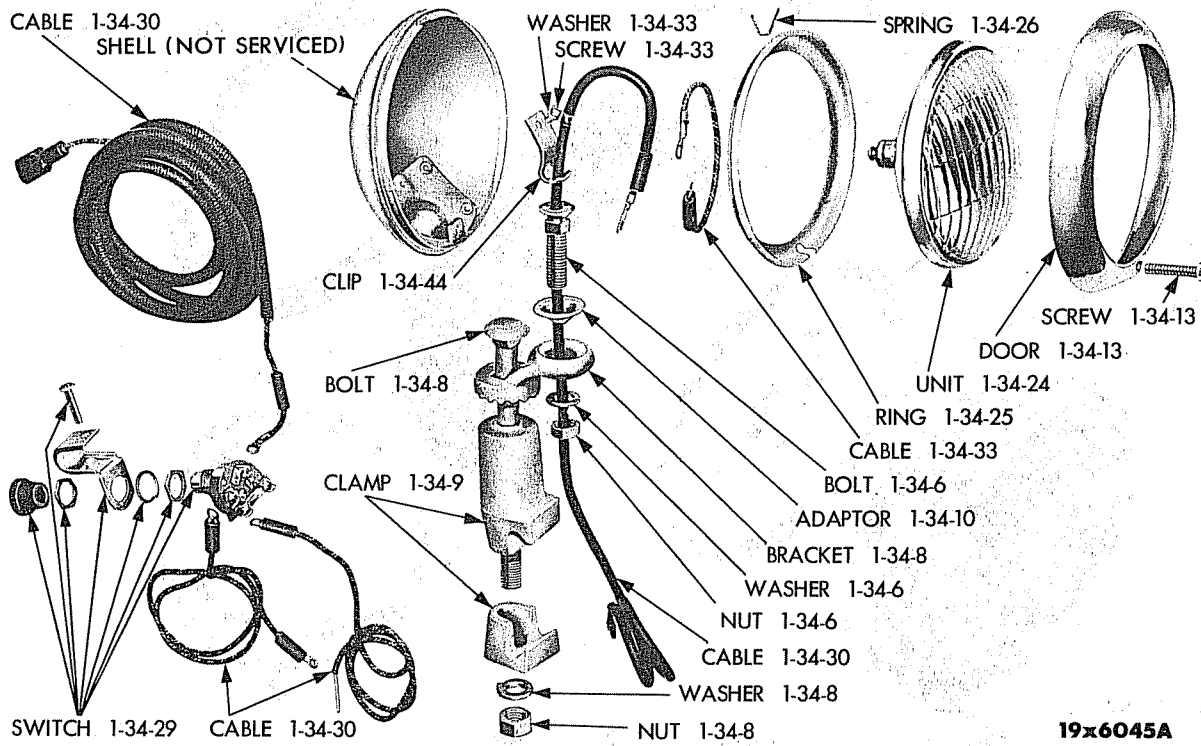


Plate 1-7

FOG LIGHT AND BRACKET

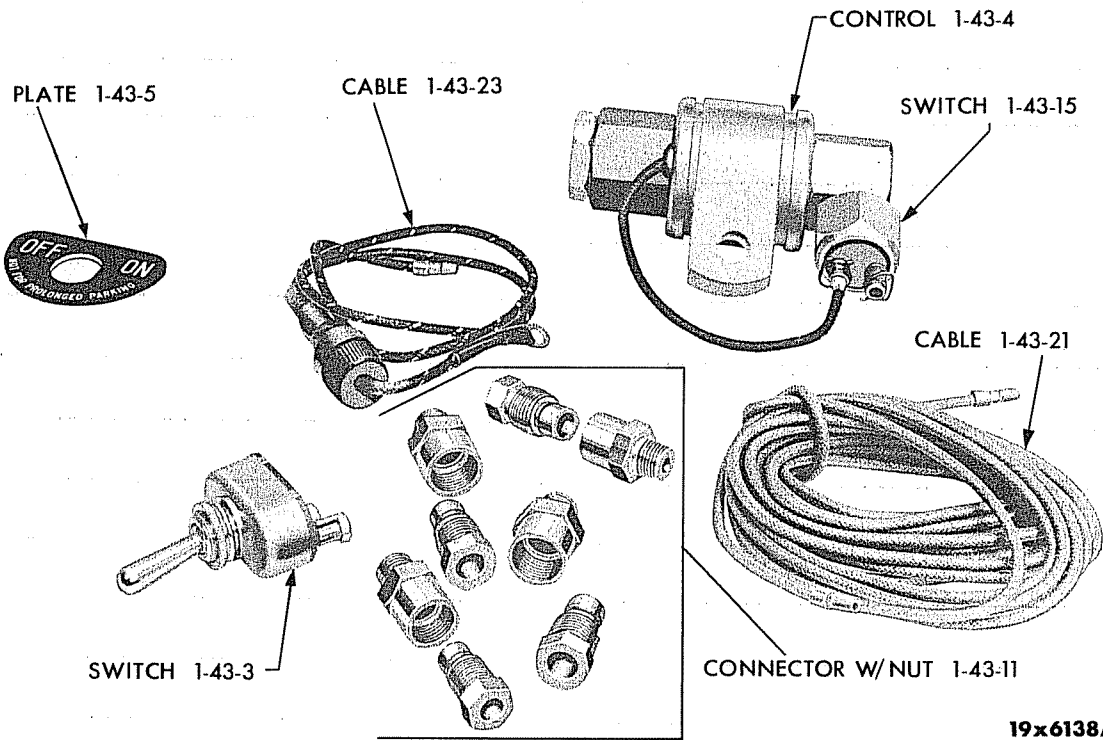
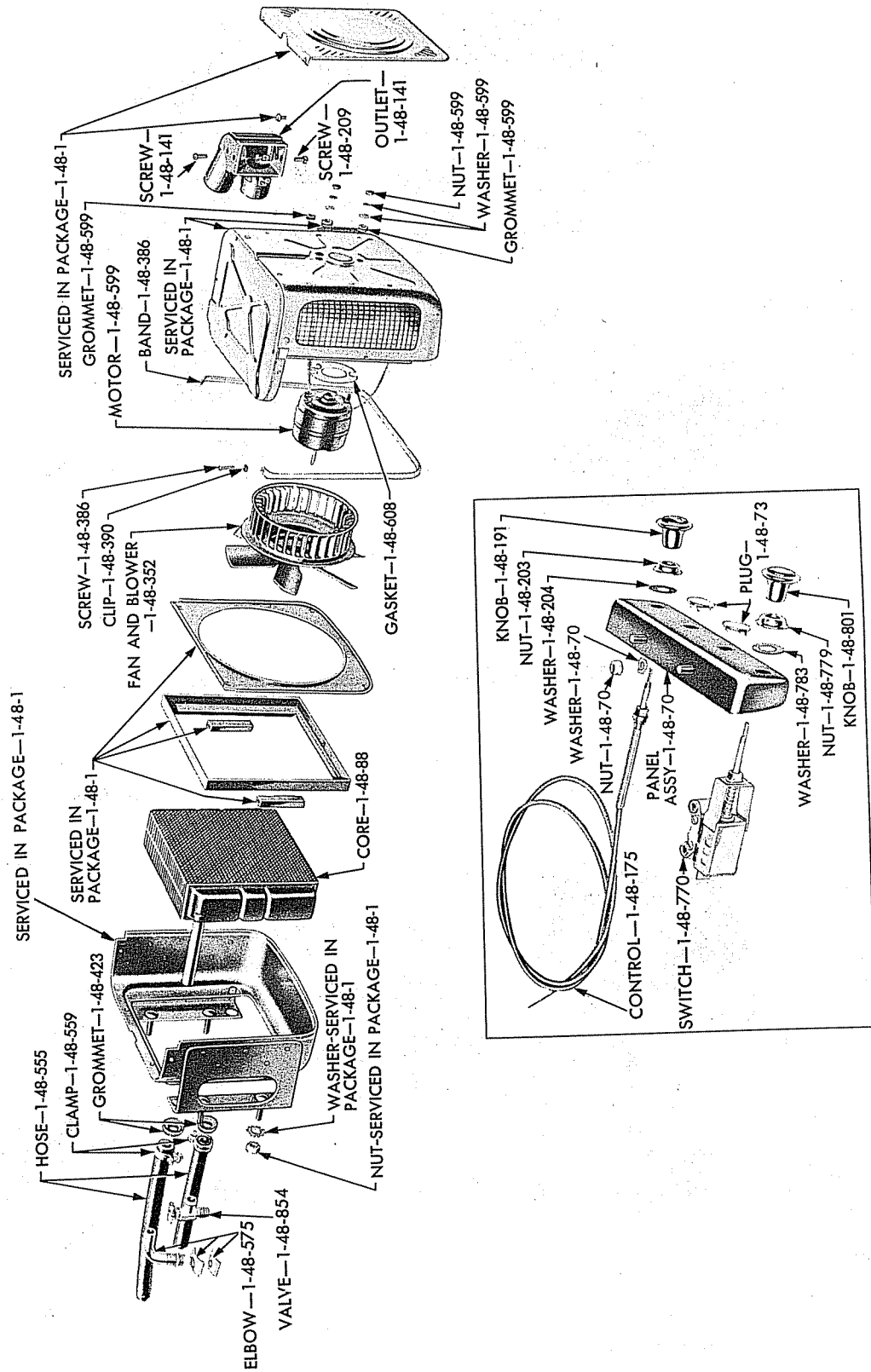


Plate 1-8

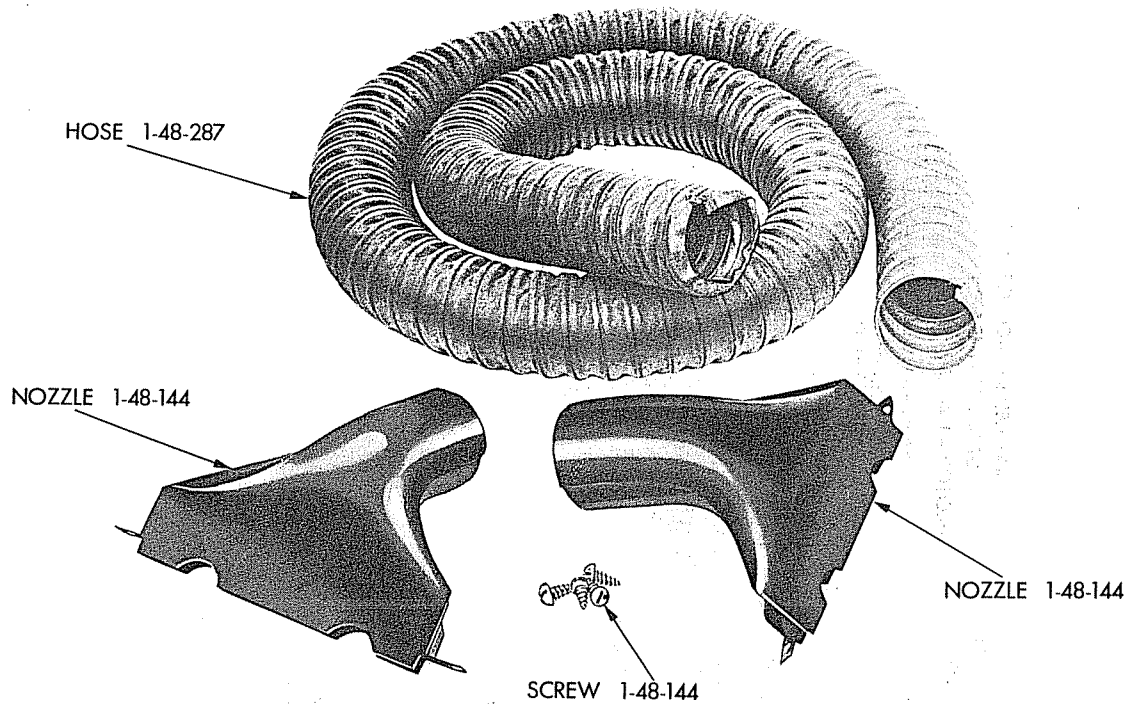
BRAKE HOLDER PACKAGE (1-43-1)



19x6137

HEATER (MODEL 62)

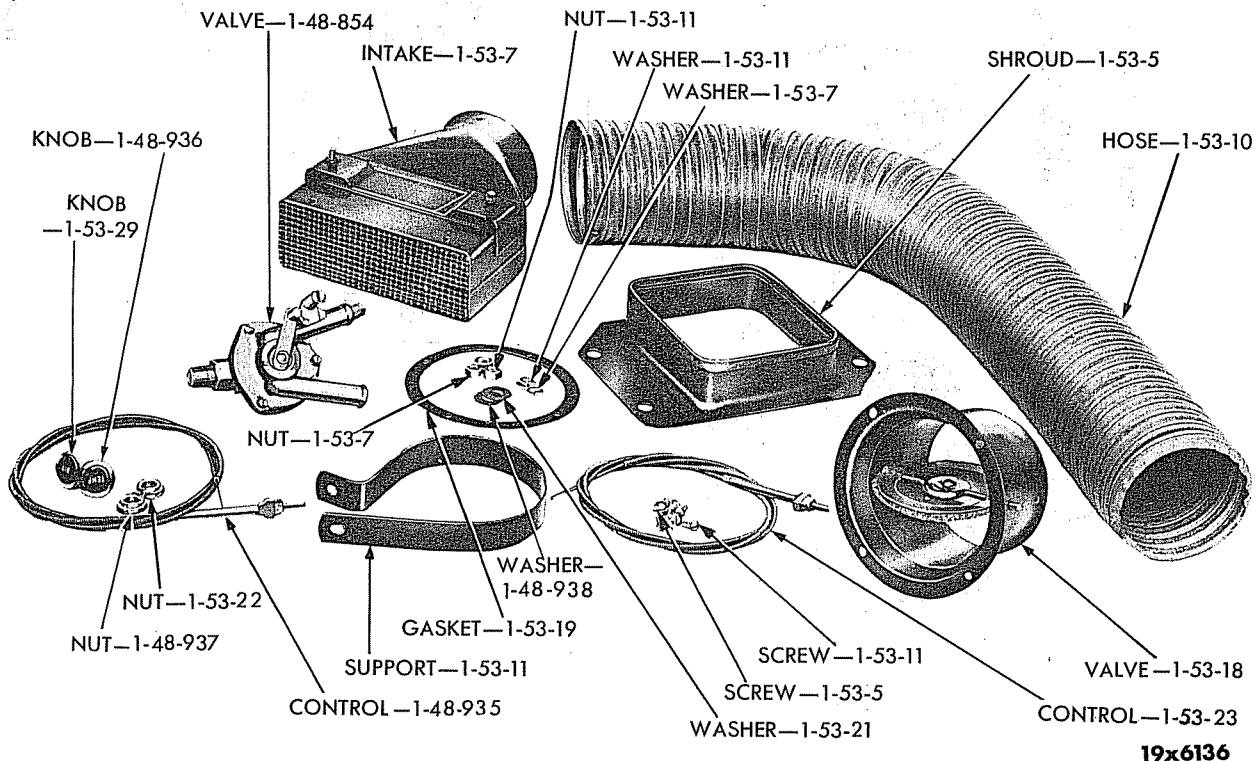
Plate 1-9



19x6146

Plate 1-10

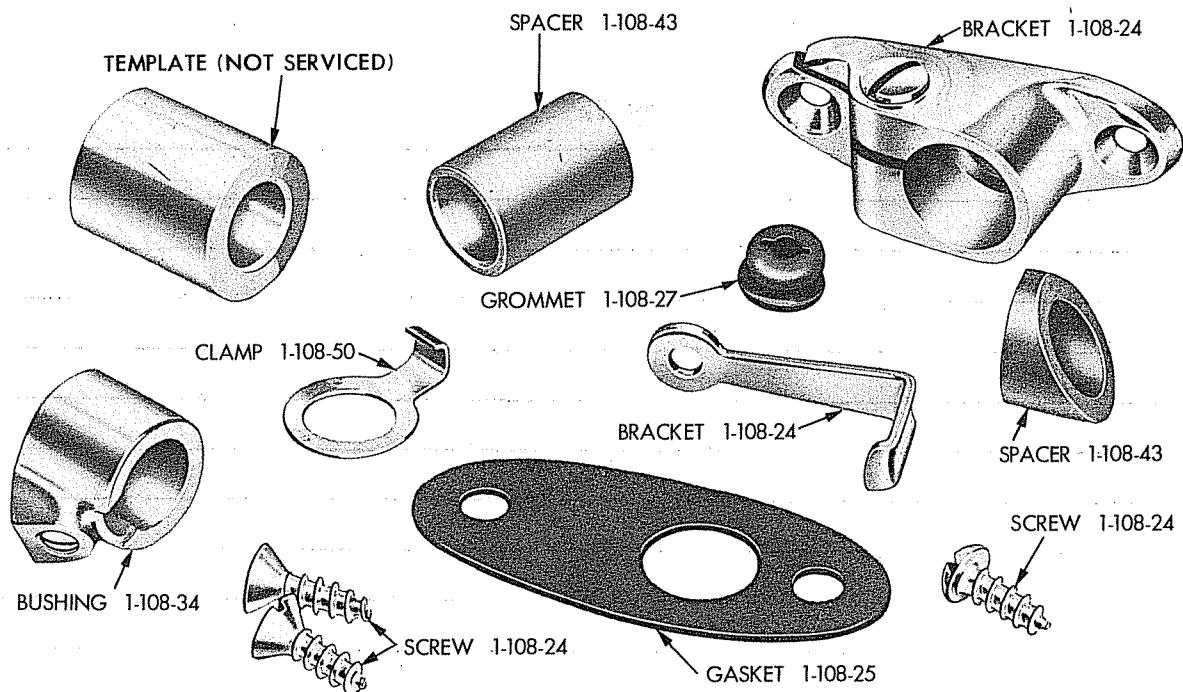
WINDSHIELD DEFROSTER PACKAGE (1-48-137)



19x6136

Plate 1-11 FRESH AIR INTAKE PACKAGE (FOR USE IN MODEL 61 AND 62 HEATER) (1-53-1)

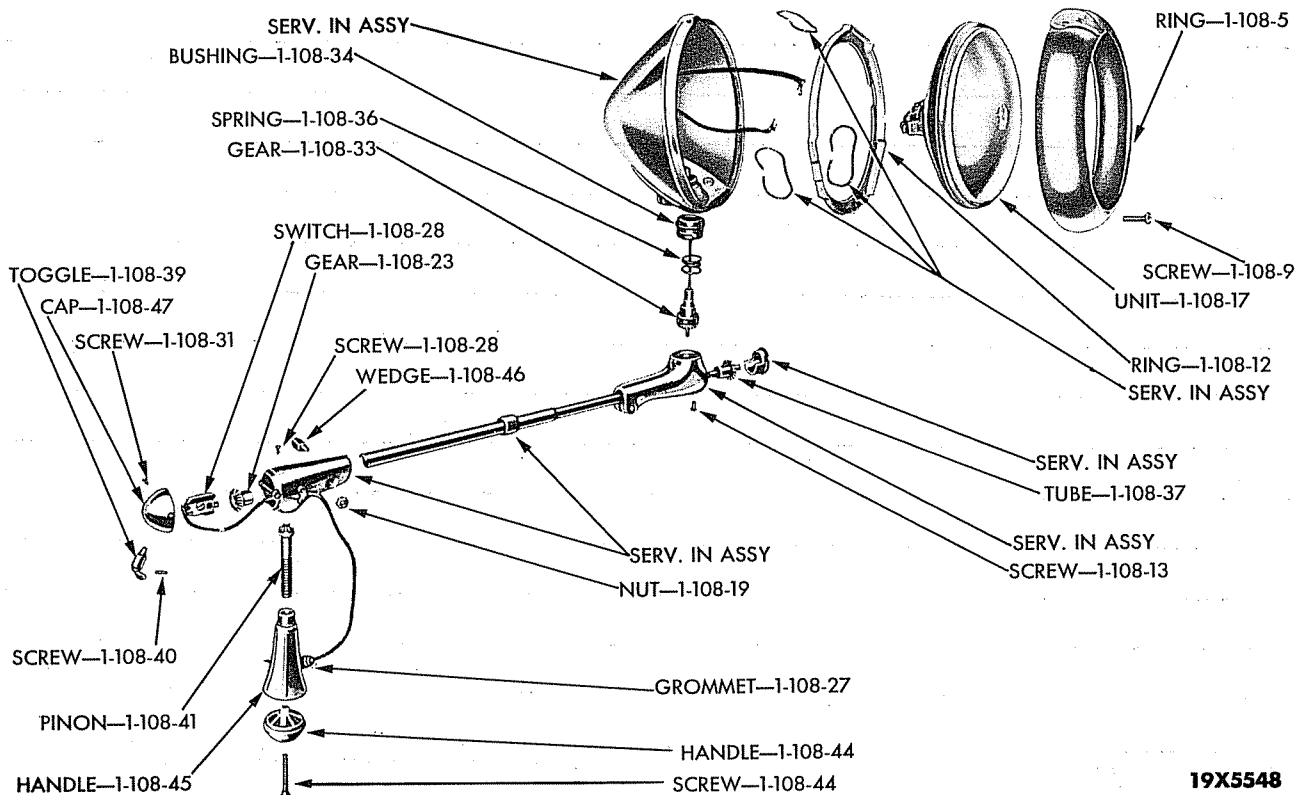
April 30, 1956 Supersedes Jan. 30, 1953.



19x6010A

Plate 1-12

SPOTLIGHT MOUNTING BRACKET PACKAGE (1-108-2)



19X5548

Plate 1-13

SPOTLIGHT

CODE	PART NAME AND DESCRIPTION	B SERIES NO.	C SERIES NO.	MODEL CODES		PART NO.
				WDX	PW	
1-12-0 CIGAR LIGHTER						
1-12-1	PACKAGE, w/Ash GUARD, 12 Volt	-	3		1	E1688 223
1-12-4	KNOB (ivory)	-	-	1	1	*1149 801
	(black)	-	-	1	1	*1272 393
	(chrome)	-	-	1	1	*1339 687
1-12-5	ELEMENT, Heat, 6 Volt	-	-	1	1	* 687 484
	ELEMENT, Heat, 12 Volt	-	3		1	E1688 326
1-12-7	SHELL, w/CLAMP (without light) 6 Volt	-	-	1	1	*1239 337
	(with light) 6 Volt	-	-	1	1	*1436 216
	SHELL, w/CLAMP, 12 Volt	-	3		1	E1688 222
1-12-23	CLAMP, Mounting	-	-	1	1	*1239 335
1-12-28	CABLE, Feed	-	-	1	1	*1310 762
1-12-33	CONNECTOR, Feed Cable	-	-	1	1	* 611 898
1-12-39	BEZEL	-	-	1	1	*1310 658
	ESCUTCHEON, 12 Volt	-	3		1	E1622 122
1-12-41	TERMINAL, Feed Cable	-	-	1	1	*1273 251
1-12-44	SOCKET, w/WIRE, 12 Volt	-	3		1	E1688 220
1-18-0 ASH RECEIVER						
1-18-2	RECEIVER, UP TO Ser. No. 83940652	-	1	1	1	* 951 770
1-18-3	HOUSING, UP TO Ser. No. 83940652	-	1	1	1	*1194 626
	AFTER Ser. No. 83940652	-	1-3		1	*1501 778
1-18-5	KNOB, UP TO Ser. No. 83940652	-	1	1	1	*1195 688
	AFTER Ser. No. 83940652	-	1-3		1	*1501 775
1-18-6	SPACER, UP TO Ser. No. 83940652	-	1	1	1	*1194 612
1-18-8	RETAINER, Housing AFTER Ser. No. 83940652	-	1-3		1	*1501 777
1-18-11	EXTINGUISHER, AFTER Ser. No. 83940652	-	1-3		1	*1501 776
1-25-0 DIRECTIONAL SIGNAL LAMP						
1-25-1	LAMP PACKAGE, Front, 6 Volt	-	-	1	1	*1508 792
	Rear, 6 Volt	-	-	1	1	*1508 793
	Double Face, 6 Volt	-	-	1	1	*1508 794
	Flush Mount, 6 Volt	-	-	1	1	*1508 795
	Front Red Lens, 12 Volt	-	3		2	E1569 211
	Rear Red Lens, 12 Volt	-	3		2	E1569 212
	Front Red Lens Dual, 12 Volt	-	3		1	E1569 761
	Rear Red Lens Dual, 12 Volt	-	3		1	E1569 762
	Front Amber Lens, 12 Volt	-	3		2	E1569 213
	Front Amber Lens Dual, 12 Volt	-	3		1	E1569 763
	Flush Mount Dual, 12 Volt	-	3		1	E1569 764
1-25-4	SWITCH AND WIRE PACKAGE, 6 Volt	-	-	1	1	*1508 789
	12 Volt	-	3		1	E1569 765
1-25-5	BRACKET, Package Lamp Mounting	-	-	1	1	*1508 790
1-25-6	LAMP (front) (single face) 6 Volt	-	-	2	2	*1503 339
	(double face) 6 Volt	-	-	2	2	E1569 168
	Nut	-	-	2	2	* 271 506
	Washer, lock	-	-	2	2	* 136 857
	LAMP (flush mounted) 6 Volt	-	-	2	2	*1272 378
	Screw, No. 8-32 x 1"	-	-	8	8	* 134 239
	Nut	-	-	8	8	* 120 622
	Washer, lock	-	-	8	8	* 121 841
1-25-9	SWITCH, Control (self-cancelling) 6 Volt	-	-	1	1	*1391 899
	12 Volt	-	3		1	E1662 095
1-25-13	PLATE, Turn Signal Lamp Switch Control (self-cancelling)	-	-	1	1	*1394 268
	Screw, No. 10-32 x 3/8"	-	-	1	1	* 132 900
1-25-14	BRACKET, Turn Signal Lamp Switch Mounting (self-cancelling)	-	-	1	1	*1394 267

★ Indicates use as required

⊠ Indicates parts not listed in any previous parts books.

Series No. (1 indicates B-1 Series) (2 indicates B-2 Series) (3 indicates B-3 Series) (4 indicates B-4 Series)

Series No. (1 indicates C-1 Series) (3 indicates C-3 Series)

Where dash (-) is shown in Series Column Part is for All.

Prices and specifications subject to change without notice.

* Indicates change or addition.

Printed in U.S.A.

POWER WAGON PARTS LIST

ACCESSORIES

CODE	PART NAME AND DESCRIPTION	B SERIES NO.	C SERIES NO.	MODEL CODES		PART NO.
				WDX	PW	
1-25-0 DIRECTIONAL SIGNAL LAMP - Cont'd						
1-25-21	FLASHER, Control Arm (manual) 6 Volt	-	-	1	1	*1264 063
	Lamp Switch (self-cancelling) 6 Volt	-	-	1	1	*1450 479
	Screw, No. 6-32 x 1/4" (manual)	-	-	1	1	* 132 688
	Screw or Bolt, 1/4"-20 x 3/8" (self-cancelling)	-	-	1	1	* 131 375
	Nut (self-cancelling)	-	-	1	1	* 120 375
	Washer, lock (manual)	-	-	1	1	* 138 473
	Washer, lock (self-cancelling)	-	-	1	1	* 120 380
	FLASHER, 12 Volt	-	3		1	E1496 095
1-25-24	WIRING, Control (specify 65" of 211 318 Cable, 2-665 151 Plug, 1-200 393 Terminal, 3-200 001 Terminal and 4-1264 933 Sleeve) (manual) 6 Volt	-	-	1	1	*---- ---
	CABLE, Lamp (specify 32" of 211 318 Cable, 1-665 151 Plug and 657 572 Contact) 6 Volt	-	-	2	2	*---- ---
1-25-25	BULB, Lamp, 6 Volt	-	-	2	2	* 142 308
	Control Arm (manual) 6 Volt	-	-	1	1	* 115 273
1-25-26	GASKET, Mounting (w/flush mounted lamp)	-	-	2	2	*1263 503
1-25-27	PAD, Mounting Base (w/single and double face lamps)	-	-	2	2	*1264 071
1-25-28	WASHER, Mounting Base (w/single and double face lamps)	-	-	2	2	*1264 072
1-25-29	PLATE, Face (right) (w/single and double face lamps)	-	-	1	1	*1264 074
	(left) (w/single and double face lamps)	-	-	1	1	*1264 075
	(right) (w/flush mounted lamp)	-	-	1	1	*1264 080
	(left) (w/flush mounted lamp)	-	-	1	1	*1264 081
	PLATE, Back (right) (w/double face lamp)	-	-	1	1	*1264 080
	(left) (w/double face lamp)	-	-	1	1	*1264 081
	Screw, No. 8-32 x 3/8"	-	-	4	4	* 121 832
1-25-30	GASKET, Face and Back Plate Mounting	-	-	★	★	*1264 078
1-25-32	HANDLE, Control (manual)	-	-	1	1	*1264 061
1-25-34	CLAMP, Control Arm Mounting (manual)	-	-	1	1	*1264 062
	Bolt or Screw, 1/4"-20 x 1 1/2"	-	-	2	2	* 133 056
1-25-35	CABLE, Indicator Light (specify 2 3/4" of 211 318 Cable, 1-200 393 Terminal, 1-1264 933 Sleeve, 1-856 612 Socket, 1-385 532 Spring, 1-657 583 Bushing and 1-657 572 Contact) (manual)	-	-	1	1	*---- ---
1-25-36	PLUG, Wiring	-	-	10	10	* 665 151
1-25-37	CONNECTOR, Wiring	-	-	4	4	* 611 898
	"Y"	-	-	2	2	* 689 867
1-25-38	BLOCK, Fuse (manual)	-	-	1	1	*1263 974
1-25-41	CONTACT, Cable (manual)	-	-	2	2	* 657 572
1-25-43	FUSE, Control Arm (manual)	-	-	1	1	* 147 684
	(self-cancelling)	-	-	1	1	* 147 685
1-25-45	INSULATOR, Lamp Socket	-	-	2	2	*1273 303
1-25-49	CLIP, Flasher Connector, 12 Volt	-	3		1	E1370 081
	Screw, No. 10-32 x 1/2"	-	3		1	* 132 908
	Nut	-	3		1	* 120 614
	Washer, lock	-	3		1	* 178 392
1-25-50	CONNECTOR, Flasher, 12 Volt	-	3		1	E1370 445
1-25-70	STRAP, Turn Signal Lamp Switch Mounting (self- cancelling)	-	-	1	1	*1394 266
	Screw, No. 10-32 x 1"	-	-	1	1	* 132 133
	Nut	-	-	1	1	* 120 614
1-25-75	CABLE, Turn Signal Lamp Switch Fuse Container (specify 12" of 211 318 Cable, 2-200 393 Terminal, 2-930 304 Sleeve, 1-1265 775 Spring, 1-1265 772 Body, 1-1265 773 Cap, 2 - 1265 774 Contact and 1-147 685 Fuse) (self- cancelling)	-	-	★	★	*---- ---

★ Indicates use as required

Prices and specifications subject to change without notice.

□ Indicates parts not listed in any previous parts books.

* Indicates change or addition.

Series No. (1 indicates B-1 Series) (2 indicates B-2 Series) (3 indicates B-3 Series) (4 indicates B-4 Series)

Series No. (1 indicates C-1 Series) (3 indicates C-3 Series)

Printed in U.S.A.

Where dash (-) is shown in Series Column Part is for All.

CODE	PART NAME AND DESCRIPTION	B	C	MODEL CODES		PART NO.
		SERIES NO.	SERIES NO.	WDX	PW	

1-34-0 FOG LIGHT

NOTE: Parts indicated by a single dagger (†) are for use with fog lights identified by the word "MOPAR" on the fog light shell.

Parts indicated by a double dagger (‡) are for use with fog lights identified by the word "MOPAR Unity - Model H-1" on the fog light shell.

1-34-1	LIGHT PACKAGE (less Brackets) single, 6 Volt	-	-	1	1	†* 986 331
	dual, 12 Volt	-	3		1	‡1568 382
	Bolt, 7/16" - 14 x 1"	-	1	2	2	†*1370 473
	Washer, lock	-	1	2	2	* 180 145
	LIGHT, Fog, 12 Volt	-	1	2	2	* 120 383
	Washer, lock	-	3		2	*1568 380
	Nut	-	3		2	* 131 100
1-34-8	ARM, Bracket	-	-	2	2	* 271 501
	Bolt, 7/16"-14 x 1 3/4"	-	-	2	2	‡*1440 379
	Washer, lock	-	-	2	2	‡* 180 151
1-34-11	WASHER, Mounting Cup	-	-	2	2	‡* 136 857
	Bracket Arm Cup	-	-	2	2	‡*1436 965
1-34-12	SPACER, Bracket Arm	-	-	2	2	‡*1440 380
1-34-13	DOOR	-	-	2	2	‡*1440 381
	DOOR	-	1	2	2	†* 986 323
	Screw, No. 8-32 x 1 1/2"	-	3		2	‡*1436 958
	Screw, No. 8-32 x 5/8"	-	-	2	2	*1641 512
1-34-14	NUT, Bracket Arm Mounting Bolt	-	-	2	2	†* 156 831
1-34-24	UNIT, Sealed Beam 6 Volt	-	-	2	2	‡* 147 762
	12 Volt	-	3		2	‡*1440 382
1-34-25	RING, Sealed Beam Unit Retaining	-	-	2	2	*1436 959
1-34-26	SPRING, Sealed Beam Unit Retaining	-	-	2	2	*1565 344
1-34-29	SWITCH, 6 Volt	-	-	6	6	†* 986 398
	12 Volt	-	-	6	6	*† 986 399
1-34-30	CABLE, Light Socket to Connector, 6 Volt	-	-	6	6	‡*1436 960
	Switch to Ammeter (specify 24" of 385 573 Cable, 2-200 393	-	-	1	1	* 688 080
	Terminal, 2-1264 933 Sleeve) 6 Volt	-	3		1	‡1661 758
	Switch to Connector (specify 88" of 385 573 Cable, 1-200 393	-	-	2	2	†* 986 324
	Terminal, 1-665 151 Plug and 1-1264 933 Sleeve) 6 Volt	-	-	★	★	†*-----
	Switch to Tail Light (specify 24" of 385 573 Cable, 1-200 393	-	-	★	★	†*-----
	Terminal and 1-1264 933 Sleeve) 6 Volt	-	-	★	★	†*-----
	Switch to "Y" Connector (specify 72" of 385 573 Cable)	-	-	★	★	†*-----
	6 Volt	-	-	★	★	†*-----
	Switch Feed and Tail Light (specify 15" of 385 573 Cable)	-	-	★	★	* 200 393
	6 Volt	-	-	★	★	* 200 394
	Terminal, 6 Volt	-	-	★	★	* 211 318
	Terminal, 6 Volt	-	-	★	★	†*1233 500
1-34-34	CABLE, Specify 110 inches, 12 Volt	-	3		★	‡*1310 472
	GROMMET, Bracket	-	-	★	★	* 106 653
	Spacer	-	-	★	★	‡*1235 595
1-34-35	FUSE, Switch, 6 Volt	-	-	1	1	* 689 867
1-34-37	GROMMET, Dash	-	-	1	1	*1264 933
1-34-38	CONNECTOR, "Y"	-	-	1	1	* 665 151
1-34-41	SLEEVE, Cable Terminal	-	-	1	1	
1-34-43	PLUG, Cable	-	-	★	★	
1-39-0 FUEL TANK LOCKING CAP KEY						
1-39-5	KEY (blank) (H Series)	-	-	★	★	‡ 910 999
	(blank) (U Series)	-	-	★	★	*1331 145

★ Indicates use as required

‡ Indicates parts not listed in any previous parts books.

Series No. (1 indicates B-1 Series) (2 indicates B-2 Series) (3 indicates B-3 Series) (4 indicates B-4 Series)

Series No. (1 indicates C-1 Series) (3 indicates C-3 Series)

Where dash (-) is shown in Series Column Part is for All.

Prices and specifications subject to change without notice.

* Indicates change or addition.

Printed in U.S.A.

POWER WAGON PARTS LIST

ACCESSORIES

CODE	PART NAME AND DESCRIPTION	B SERIES NO.	C SERIES NO.	MODEL CODES		PART NO.
				WDX	PW	
1-43-O BRAKE HOLDER						
1-43-1	HOLDER PACKAGE	-	-	1	1	*1266 969
1-43-3	SWITCH, Control	-	-	1	1	*1264 040
1-43-4	CONTROL	-	-	1	1	*1263 996
1-43-5	PLATE, Control Switch Name	-	-	1	1	*1264 041
1-43-11	CONNECTOR, Tube w/NUT (1/4")	-	-	2	2	E1326 171
	w/NUT (5/16")	-	-	2	2	E1326 172
1-43-13	FUSE, Switch (14 ampere)	-	-	1	1	* 147 685
1-43-15	SWITCH, Solenoid	-	-	1	1	*1450 341
1-43-17	STEM, Valve Seat	-	-	1	1	*1268 148
1-43-21	CABLE, Control Switch to Control Feed (specify 160" of 211 318 Cable and 2-665 151 Plug)	-	-	1	1	*---- ---
1-43-23	CABLE, Fuse Container (specify 24" of 211 318 Cable, 1-665 151 Plug, 1-200 393 Terminal and 1-264 933 Sleeve)	-	-	1	1	*---- ---
1-48-O HEATER						
1-48-1	HEATER PACKAGE Model 65, 6 Volt	-	-	1	1	*1500 436
	HEATER PACKAGE Model 75, 12 Volt	-	3		1	E1662 293
1-48-2	VALVE PACKAGE (for use with fresh air intake system)	-	-	1		*1326 186
1-48-70	PANEL, Control Mounting (Models 61 and 62)	-	-	1	1	*1195 713
	Nut	-	-	2	2	* 120 367
	Washer, lock	-	-	2	2	* 120 380
1-48-71	BRACKET, Control Panel Mounting (Models 61 and 62)	-	-	1	1	*1262 297
	Bolt or Screw, 1/4" - 28 x 3/4"	-	-	2	2	* 188 077
	Nut	-	-	2	2	* 120 367
	Washer, lock	-	-	2	2	* 120 380
1-48-73	PLUG, Control Mounting Panel (Models 61 and 62)	-	-	2	2	* 869 774
1-48-88	CORE, Model 61	-	-	1	1	*1261 463
	Models 62, 65 and 75	-	-	1	1	*1269 109
1-48-137	DEFROSTER PACKAGE, Windshield, Models 65 and 75	-	-	1	1	*1269 170
1-48-141	OUTLET, Windshield Defroster (Model 62)	-	-	1	1	*1268 172
	Model 61	-	-	1	1	*1195 701
	Model 65 and 75	-	-	1	1	*1500 978
	Screw, No. 6-18 x 1/2"	-	-	2	2	* 127 853
1-48-144	NOZZLE, Windshield Defroster except Model 65 and 75	-	-	2	2	*1195 717
	Model 65 and 75	-	-	2	2	* 683 299
	Screw, No. 10-16 x 3/8"	-	-	4	4	* 162 900
1-48-146	CLAMP, Windshield Defroster Nozzles Model 65 and 75	-	-	2	2	* 870 469
1-48-176	DEFROSTER CONTROL, Windshield Models 61, 62 and 65	-	-	1	1	*1527 685
1-48-186	STEM and WIRE, Windshield Defroster Model 61 and 62	-	-	1	1	*1264 984
1-48-191	KNOB, Windshield Defroster Control Models 61, 62 and 65	-	-	1	1	*1191 539
1-48-203	NUT, Windshield Defroster Control Mounting Models 61, 62 and 65	-	-	1	1	*1189 496
1-48-204	WASHER, Windshield Defroster Control Mounting Nut Models 61, 62 and 65)	-	-	1	1	*1194 598
1-48-287	HOSE, Windshield Defroster Model 61	-	-	1	1	*1195 722
	Models 62 and 65	-	-	1	1	*1269 270
	Model 75	-	3		1	*1268 201
	Model 75 Drivers Side	-	3		1	E1569 190
1-48-289	COLLAR, Hose Drivers Side	-	3		2	*1566 663
1-48-352	BLOWER, w/FAN (Models 61, 62, 65 and 75	-	-	1	1	*1237 198
1-48-390	CLIP, Decorative Band Models 61, 62 and 65	-	-	2	2	* 981 515
	Screw, No. 8-15 x 3/4"	-	-	2	2	* 125 592
1-48-423	GROMMET, Core Tube to Dash Models 61, 62 and 65	-	-	2	2	* 976 056
1-48-509	CABLE, Heater Switch specify 28" of 211 318 Cable, 1-200 393 Terminal, 1-665 151 Plug and 1-1264 933 Sleeve, 6 Volt.	-	-	1	1	*---- ---
	Heater Switch to Ignition Switch specify 28" of 385 573 Cable, 2-200 393 Terminal and 2-1264 933 Sleeve, 6 Volt	-	-	1	1	*---- ---
	CABLE, Heater Switch to Ignition Switch, 12 Volt	-	3		1	E1661 697
1-48-511	CONNECTOR, Switch Cable	-	-	★	★	* 611 898
1-48-512	SLEEVE, Switch Terminal	-	-	★	★	*1264 933
1-48-513	PLUG, Switch Cable	-	-	★	★	* 665 151

★ Indicates use as required

E Indicates parts not listed in any previous parts books.

Series No. (1 indicates B-1 Series) (2 indicates B-2 Series) (3 indicates B-3 Series) (4 indicates B-4 Series)

Series No. (1 indicates C-1 Series) (3 indicates C-3 Series)

Where dash (-) is shown in Series Column Part is for All.

Prices and specifications subject to change without notice.

* Indicates change or addition.

Printed in U.S.A.

CODE	PART NAME AND DESCRIPTION	B SERIES NO.	C SERIES NO.	MODEL CODES		PART NO.
				WDX	PW	
1-48-0 HEATER - Cont'd						
1-48-555	HOSE (specify by the foot)	-	-	★	★	*1315 466
1-48-559	CLAMP, Heater and Defroster Hose	-	-	★	★	* 870 469
1-48-575	ELBOW, Heater Hose, w/SADDLE	-	-	1	1	*1262 994
1-48-599	MOTOR Models 61, 62 and 65, 6 Volt	-	-	1	1	*1500 427
	MOTOR, Model 75, 12 Volt	-	3		2	*1643 132
	Grommet	-	-	2	2	* 117 957
	Nut	-	-	2	2	* 120 622
	Washer, lock	-	-	2	2	* 121 841
	Washer, plain	-	-	4	4	* 120 385
1-48-608	GASKET, Motor Mounting Models 61, 62, 65 and 75	-	-	2	2	* 981 514
1-48-615	BRUSH SET, Motor (use with motor identified with marking "Delco") Models 61 and 62	-	-	1	1	*1237 243
	(use with motors identified with marking other than "Delco") Models 61 and 62	-	-	1	1	* 953 197
	(use with motor identified with marking "General Industries") Models 65 and 75	-	-	1	1	*1297 877
	(use with motor identified with marking "A. G. Redmond") Model 65	-	-	1	1	*1297 879
1-48-618	HOLDER, Motor Brush (use with motor identified with marking "A. G. Redmond") Model 65	-	-	2	2	*1495 161
	(use with motor identified with marking "General Industries") Model 65 and 75	-	-	2	2	*1495 160
1-48-620	SPRING, Motor Brush (use with motor identified with marking "Delco") Models 61 and 62	-	-	2	2	*1237 244
	(use with motor identified with marking other than "Delco") Models 61 and 62	-	-	2	2	* 953 218
	(use with motor identified with marking "A. G. Redmond") Model 65	-	-	1	1	*1383 839
	(use with motor identified with marking "General Industries") Models 65 and 75	-	-	1	1	*1300 660
1-48-770	SWITCH Models 61, 62 and 65, 6 Volt	-	-	1	1	*1189 651
	SWITCH Model 75, 12 Volt	-	3		1	E1661 695
	Screw, No. 8-32 x 1/4"	-	-	2	2	* 122 159
1-48-775	WASHER, Switch Terminal Screw Lock Models 61, 62 and 65	-	-	2	2	* 300 934
1-48-779	NUT, Switch Mounting Models 61, 62 and 65	-	-	1	1	*1189 496
	NUT, Model 75	-	3		1	*1566 412
1-48-780	BRACKET, Switch Mounting Models 65 and 75	-	3		1	*1501 800
	Bolt, 1/4" x 20 x 1"	-	3		2	* 180 022
	Nut	-	3		2	* 120 375
	Washer, lock	-	3		2	* 120 380
1-48-783	WASHER, Switch Mounting Nut Models 61, 62 and 65	-	-	1	1	*1194 598
1-48-801	KNOB, Switch Models 61, 62 and 65	-	-	1	1	*1191 535
1-48-832	RESISTOR, Switch Models 61, 62 and 65, 6 Volt	-	-	2	2	* 860 185
	RESISTOR, Switch Model 75, 12 Volt	-	3		1	E1566 503
	Screw, No. 8-32 x 1/4"	-	-	4	4	* 122 159
1-48-854	VALVE, Water Shut-Off (for use without fresh air system)	-	-	1	1	* 670 647
1-48-936	KNOB, Temperature Control	-	-	1	1	*1195 675
1-48-937	NUT, Temperature Control Mounting Models 61 and 62	-	-	1	1	*1189 496
1-48-938	WASHER, Temperature Control Mounting Nut Models 61 and 62	-	-	1	1	*1244 796
1-48-941	TEMPERATURE CONTROL Models 61 and 62	-	-	1	1	*1527 685
1-48-948	GROMMET, Temperature Control Dash Models 61 and 62	-	-	1	1	* 988 059
1-48-958	CLIP, Temperature Control Mounting Model 62	-	-	1	1	* 684 158
1-76-0 REAR VIEW MIRROR						
1-76-6	ARM PACKAGE (13 3/16" closed, 20/16" extended) (Cabs only)	-	-	1	1	*1199 008
1-82-0 WINDSHIELD WASHER						
1-82-2	WASHER PACKAGE, Model 16	-	3		1	E1704 287
1-82-3	SOLVENT PACKAGE (6 ounce bottle)	-	-	★	★	*1237 316
1-82-4	JAR	-	-	1	1	*1241 058
1-82-7	NOZZLE PACKAGE	-	-	1	1	*1345 616
1-82-20	SPRING, Foot Control Pump Compression	-	-	1	1	*1241 066

★ Indicates use as required Prices and specifications subject to change without notice.
 E Indicates parts not listed in any previous parts books. * Indicates change or addition.
 Series No. (1 indicates B-1 Series) (2 indicates B-2 Series) (3 indicates B-3 Series) (4 indicates B-4 Series)
 Series No. (1 indicates C-1 Series) (3 indicates C-3 Series)
 Where dash (-) is shown in Series Column Part is for All. Printed in U.S.A.
 April 30, 1956 Supersedes Jan. 20 1953.

POWER WAGON PARTS LIST

ACCESSORIES

CODE	PART NAME AND DESCRIPTION	B SERIES NO.	C SERIES NO.	MODEL CODES		PART NO.
				WDX	PW	
1-82-0 WINDSHIELD WASHER - Cont'd						
1-82-21	BRACKET, Jar Mounting	-	-	1	1	*1241 059
	Screw, No. 10-16 x 1/2"	-	-	3	3	* 143 152
1-82-22	COVER, Jar	-	-	1	1	*1241 060
1-82-23	KNOB, Foot Control	-	-	1	1	*1241 063
1-82-24	NUT, Foot Control Pump Mounting	-	-	1	1	* 271 506
1-82-25	PUMP, Foot Control, All Models.	-	-	1	1	*1253 491
	Nut (spacer)	-	-	1	1	* 271 506
	Washer, plain	-	-	1	1	* 120 395
1-82-28	GROMMET, Nozzle Tube Hose	-	-	1	1	*1261 398
1-82-30	STRAINER	-	-	1	1	*1571 028
1-82-32	HOSE, Check Valve to Pump, All Models	-	-	1	1	*1253 485
1-82-33	HOSE, Check Valve to Jar	-	-	1	1	*1641 932
1-82-34	HOSE, Check Valve to Nozzle	-	-	1	1	*1253 487
1-82-38	VALVE, Check	-	-	1	1	*1527 690
1-108-0 SPOTLIGHT						
1-108-6	LENS (Models S-4 and S-5 without sealed beam unit)	-	-	1	1	*1188 407
1-108-9	SCREW, Ring (Models S-4 and S-5)	-	-	1	1	*1233 873
	Models S-6 and H-1	-	-	1	1	*1345 184
1-108-10	REFLECTOR (Models S-4 and S-5 without sealed beam unit)	-	-	1	1	*1188 971
1-108-11	NUT, Ring Screw (Models S-4 and S-5)	-	-	1	1	*1233 874
	Bulb Mounting Adapter (Model H-1)	-	-	1	1	*1345 182
1-108-13	SCREW, Head Cap Mounting (Models S-5, S-6 and H-1)	-	-	1	1	*1233 875
1-108-15	FUSE	-	-	1	1	* 147 684
	Cap	-	-	1	1	* 150 429
	Bushing	-	-	1	1	* 150 422
	Ferrule	-	-	1	1	* 150 423
	Spring	-	-	1	1	* 150 421
	Washer, fuse container	-	-	1	1	* 150 700
1-108-17	UNIT, Sealed Beam	-	-	-	-	-
	Models S-4, S-5 and S-6	-	-	1	1	*1253 121
	Model H-1	-	-	1	1	*1253 120
1-108-19	NUT, Handle Wedge	-	-	1	1	*1233 882
1-108-23	GEAR	-	-	1	1	*1233 881
1-108-24	BRACKET, Inside Mounting	-	-	1	1	*1261 399
	Outside Mounting, Right	-	-	1	1	*1266 544
	Left	-	-	1	1	*1261 059
	Screw, No. 10-12 x 5/8"	-	-	3	3	* 107 261
	Bolt, 1/4" - 20 x 1/2"	-	-	1	1	* 180 016
1-108-25	GASKET, Outside Mounting Bracket	-	-	1	1	*1261 058
1-108-26	SCREW, Outside Mounting Bracket Clamp	-	-	1	1	*1163 575
1-108-27	GROMMET, Cable	-	-	1	1	*1235 595
1-108-28	SWITCH	-	-	1	1	*1233 877
	Screw, No. 6-32 x 7/16"	-	-	1	1	* 134 167
1-108-29	SLEEVE, Cable Terminal	-	-	1	1	*1264 933
1-108-31	SCREW, Switch Cap Mounting	-	-	2	2	*1233 876
1-108-33	GEAR, Headpost	-	-	1	1	*1233 870
1-108-34	BUSHING, Headpost	-	-	1	1	*1233 871
1-108-36	SPRING, Headpost Gear	-	-	1	1	*1233 872
1-108-37	TUBE, Inside, w/GEAR (Models S-4 and S-5)	-	-	1	1	*1233 880
	Models S-6 and H-1	-	-	1	1	*1345 183
1-108-39	TOGGLE, Switch	-	-	1	1	*1233 878
1-108-40	SCREW, Switch Toggle	-	-	1	1	*1233 879
1-108-41	PINION, w/SHAFT	-	-	1	1	*1188 416
	Models S-6 and H-1	-	-	1	1	*1300 606
1-108-44	HANDLE, Lower	-	-	1	1	*1188 414
	Screw, No. 6-32 x 1 1/2"	-	-	1	1	* 107 083
1-108-45	HANDLE, Upper	-	-	1	1	*1188 413
1-108-46	WEDGE, Handle	-	-	1	1	*1188 412
1-108-47	CAP, Switch	-	-	1	1	*1188 411
1-108-48	CONNECTOR, Cable	-	-	1	1	* 611 898

★ Indicates use as required

☐ Indicates parts not listed in any previous parts books.

Series No. (1 indicates B-1 Series) (2 indicates B-2 Series) (3 indicates B-3 Series) (4 indicates B-4 Series)

Series No. (1 indicates C-1 Series) (3 indicates C-3 Series)

Where dash (-) is shown in Series Column Part is for All.

Prices and specifications subject to change without notice.

* Indicates change or addition.

Printed in U.S.A.