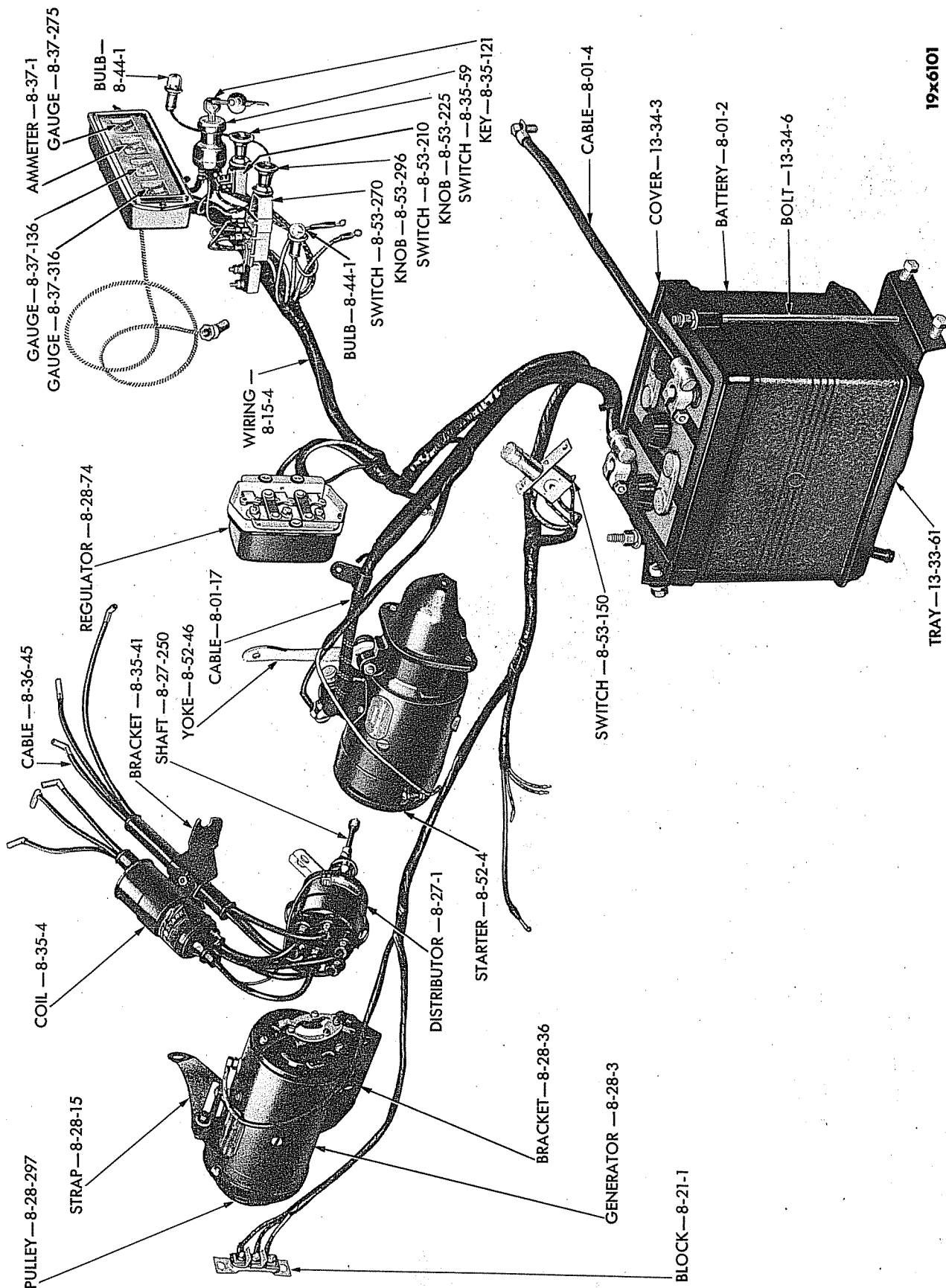


GROUP 8 - ELECTRICAL

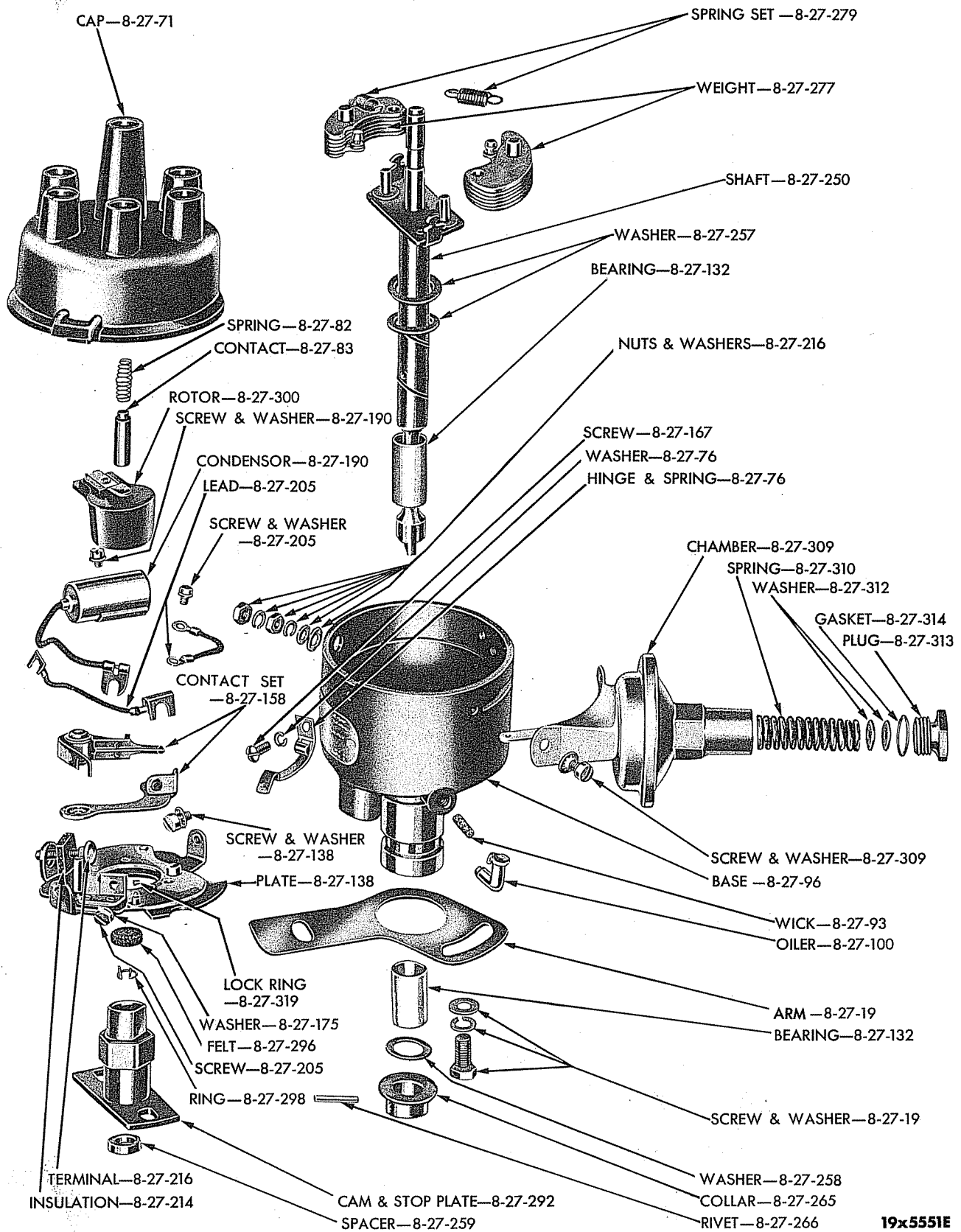


19x6101

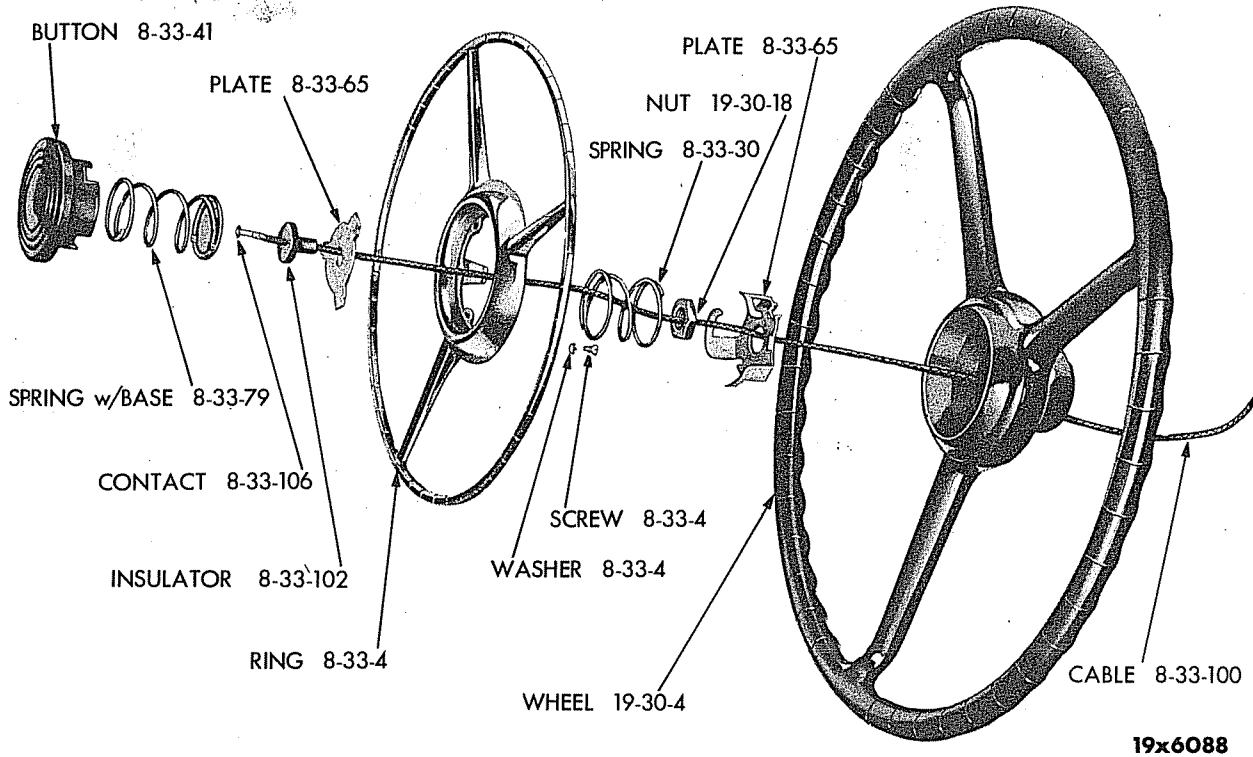
TRAY—13-33-61

ELECTRICAL SYSTEM

Plate 8-1



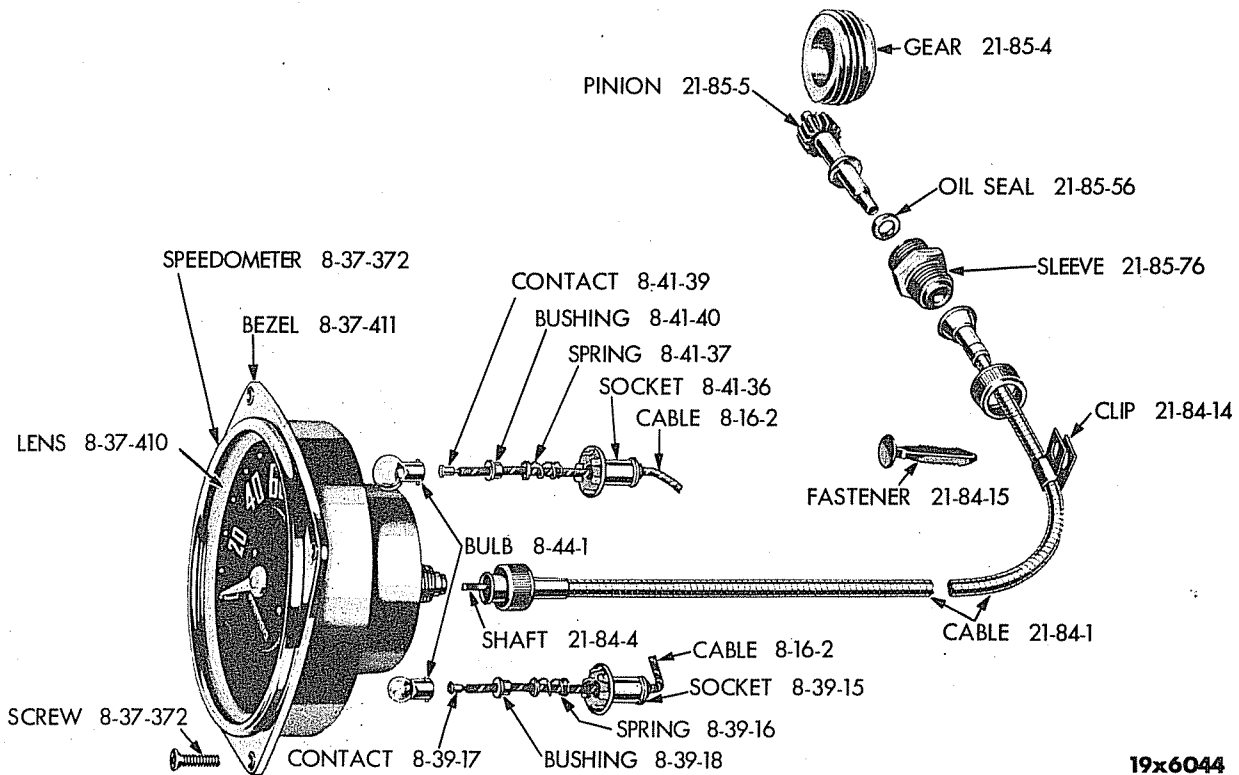
19x5551E



19x6088

Plate 8-4

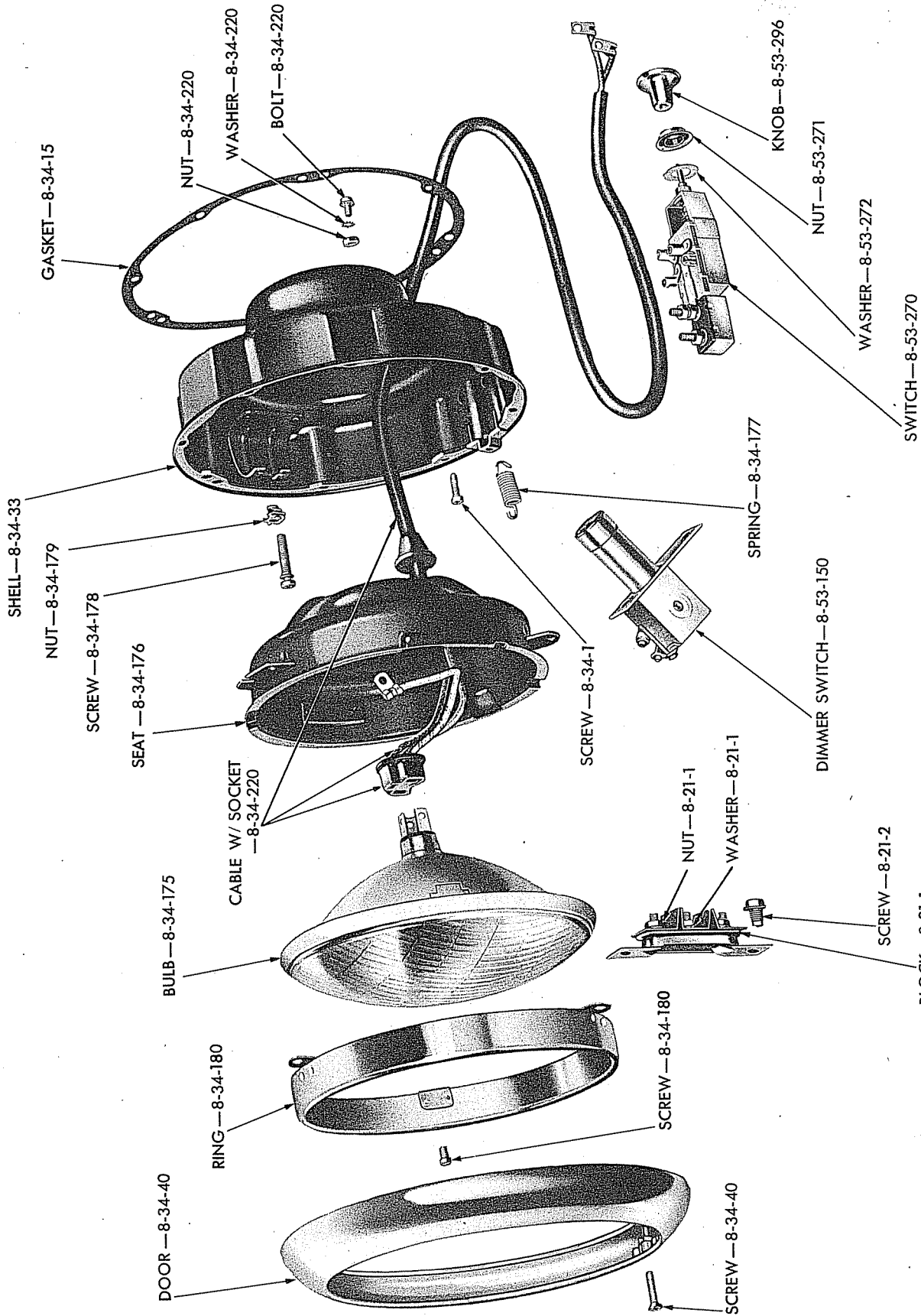
HORN CONTROL (EXPLODED VIEW)



19x6044

Plate 8-5

SPEEDOMETER AND CABLE (EXPLODED VIEW)



19x6143

HEADLAMP (EXPLODED VIEW)

Plate 8-6

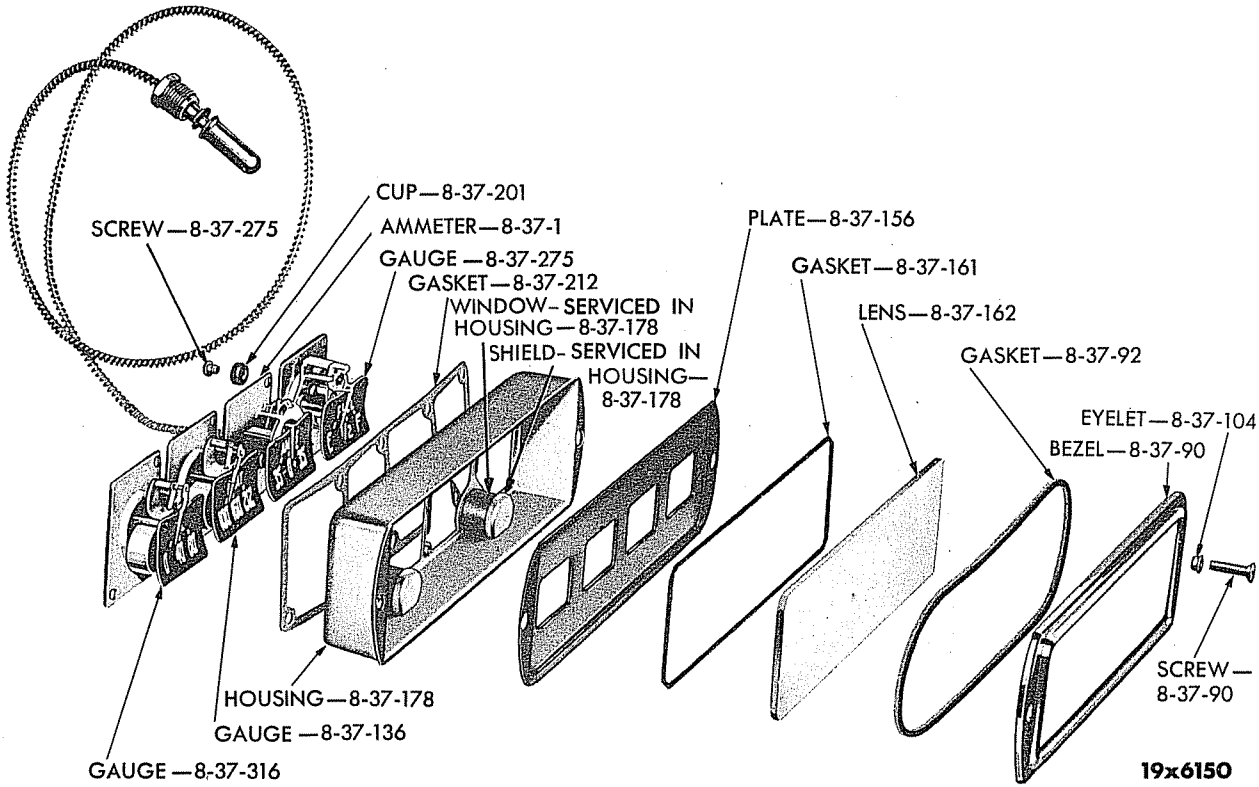


Plate 8-7

INSTRUMENT CLUSTER (B-1 and B-2) (EXPLODED VIEW)

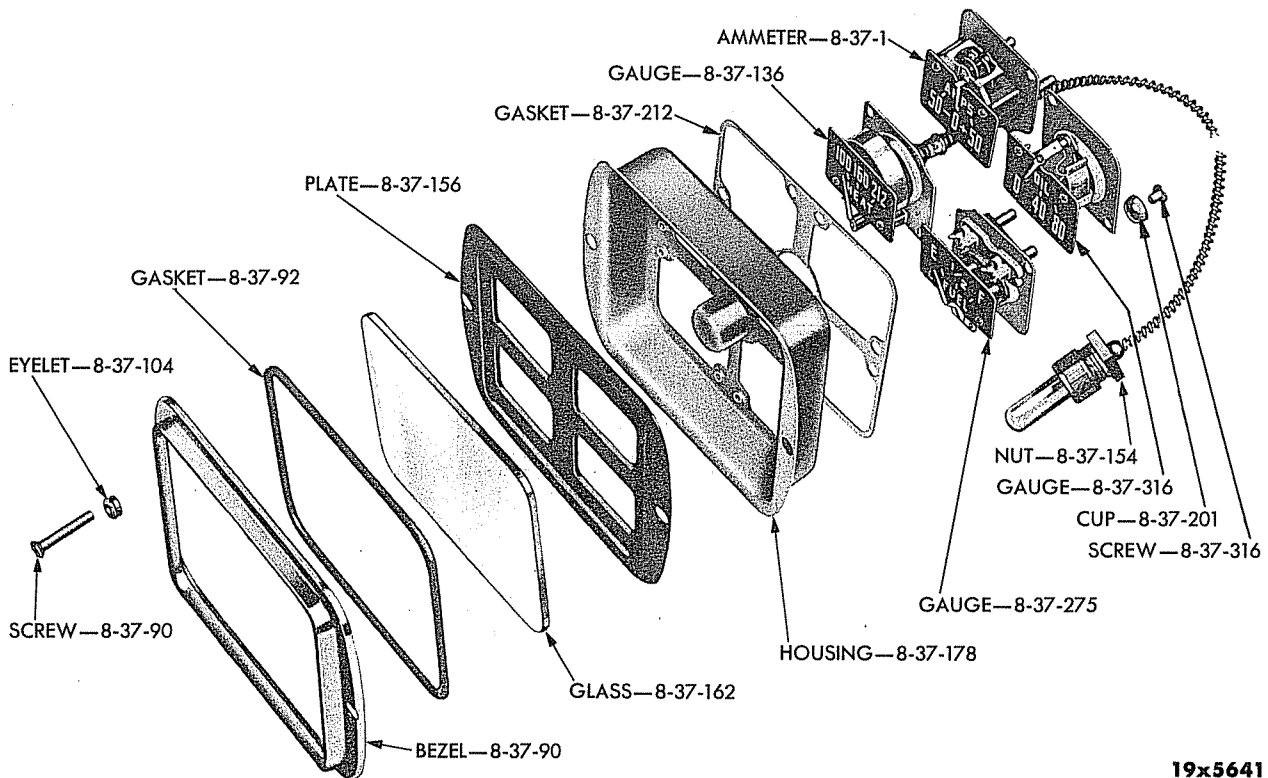
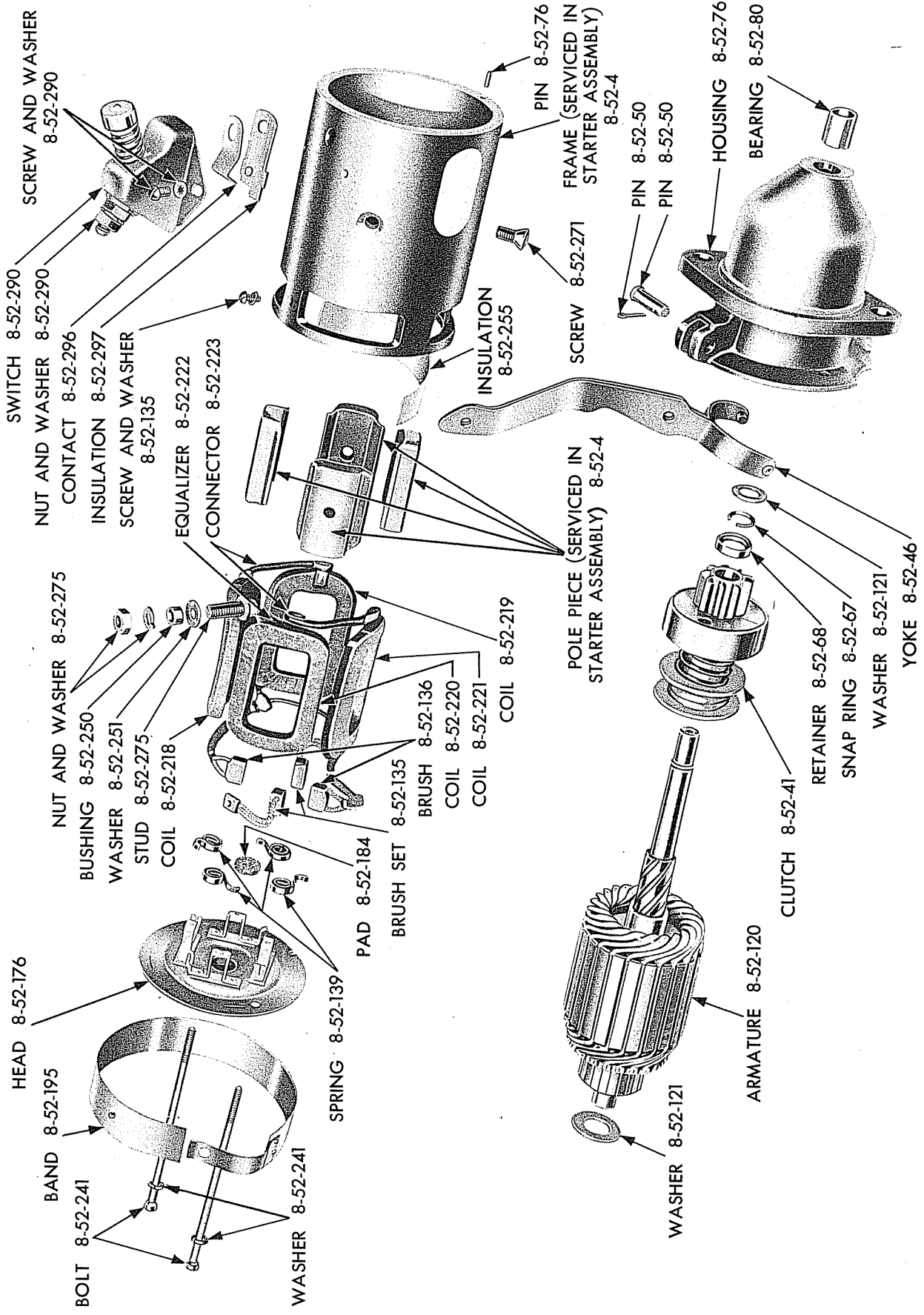


Plate 8-8

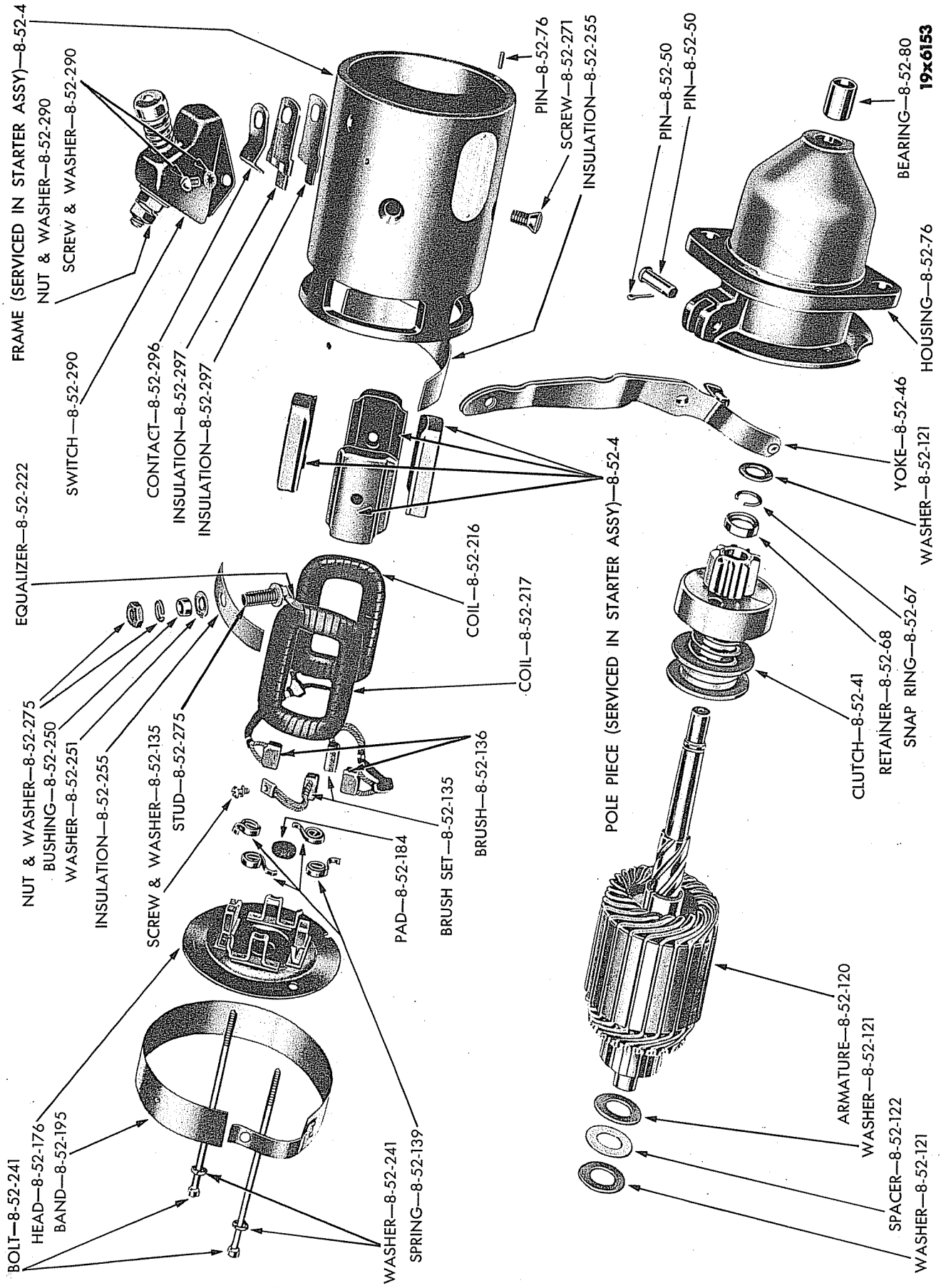
INSTRUMENT CLUSTER (B-3 and B-4) (EXPLODED VIEW)



19x6080

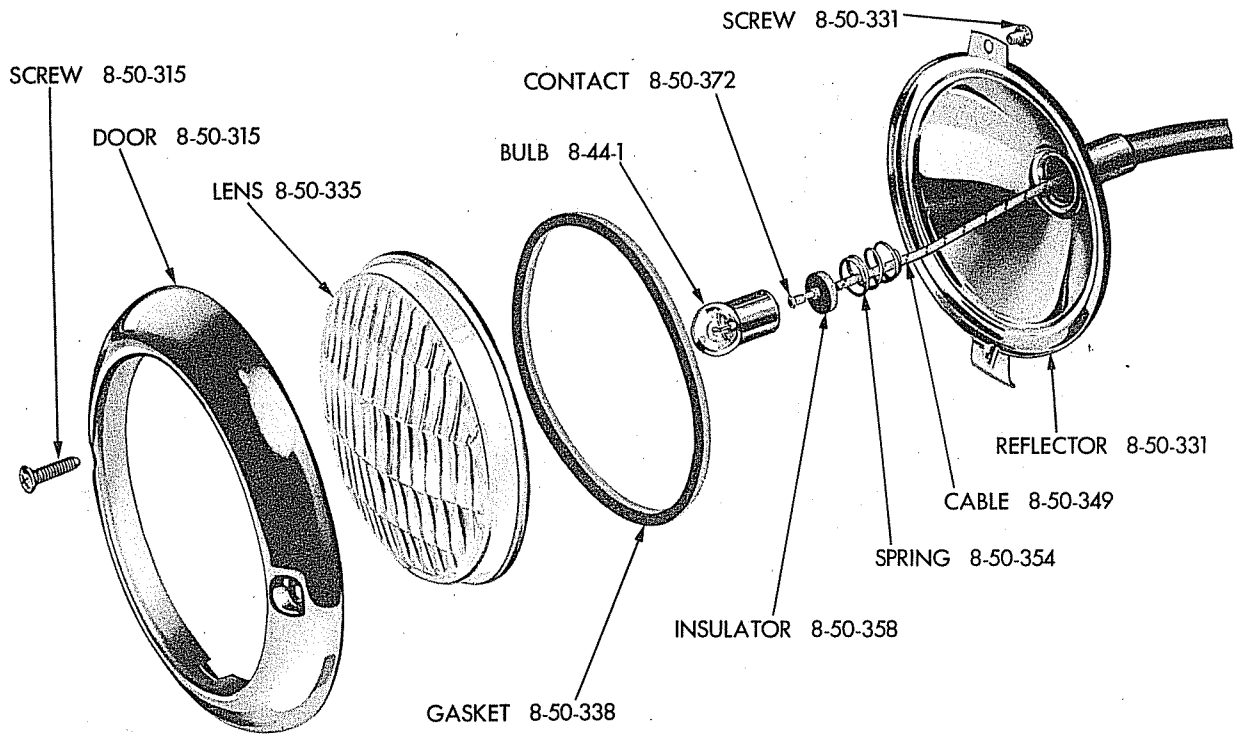
STARTER (1268 126) (EXPLODED VIEW)

Plate 8-9



STARTER (1268 125) (EXPLODED VIEW)

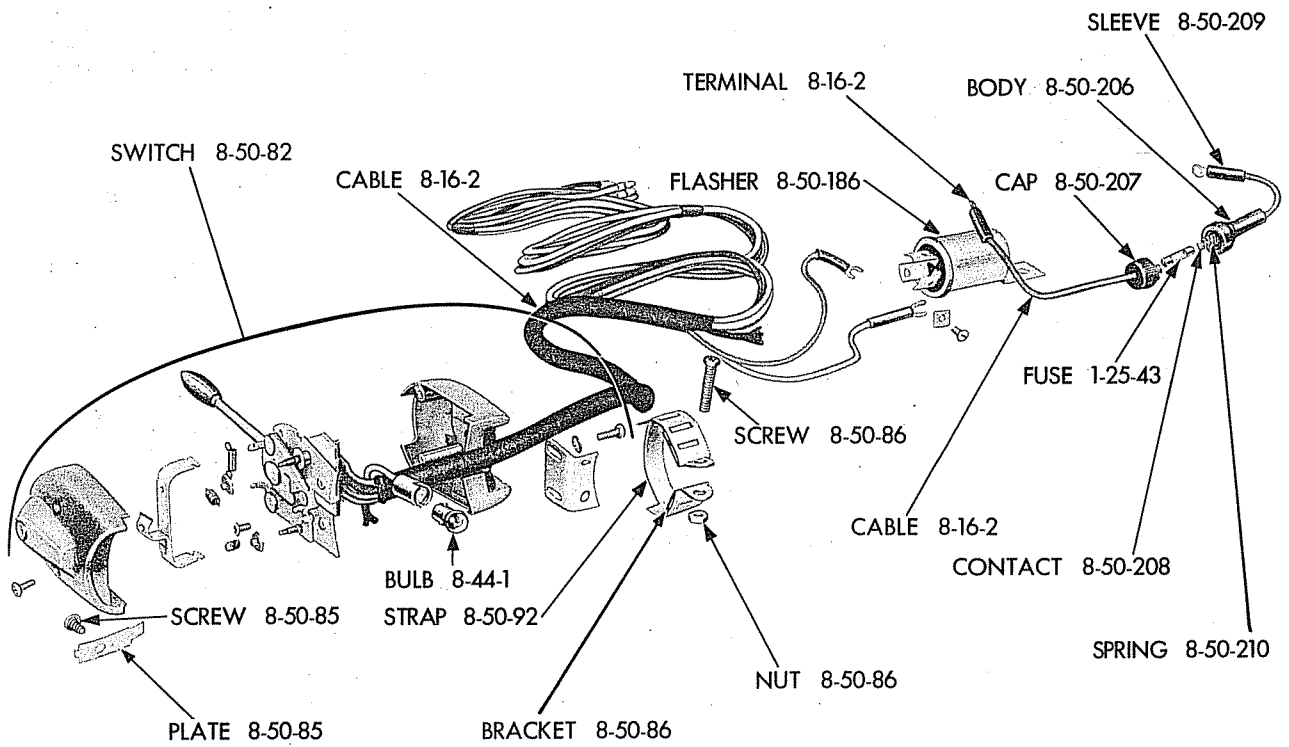
Plate 8-10



19x6082

Plate 8-11

PARKING LAMP (EXPLODED VIEW)



19x6002A

Plate 8-12

DIRECTIONAL SIGNAL LAMP SWITCH (SELF-CANCELLING TYPE) (EXPLODED VIEW)

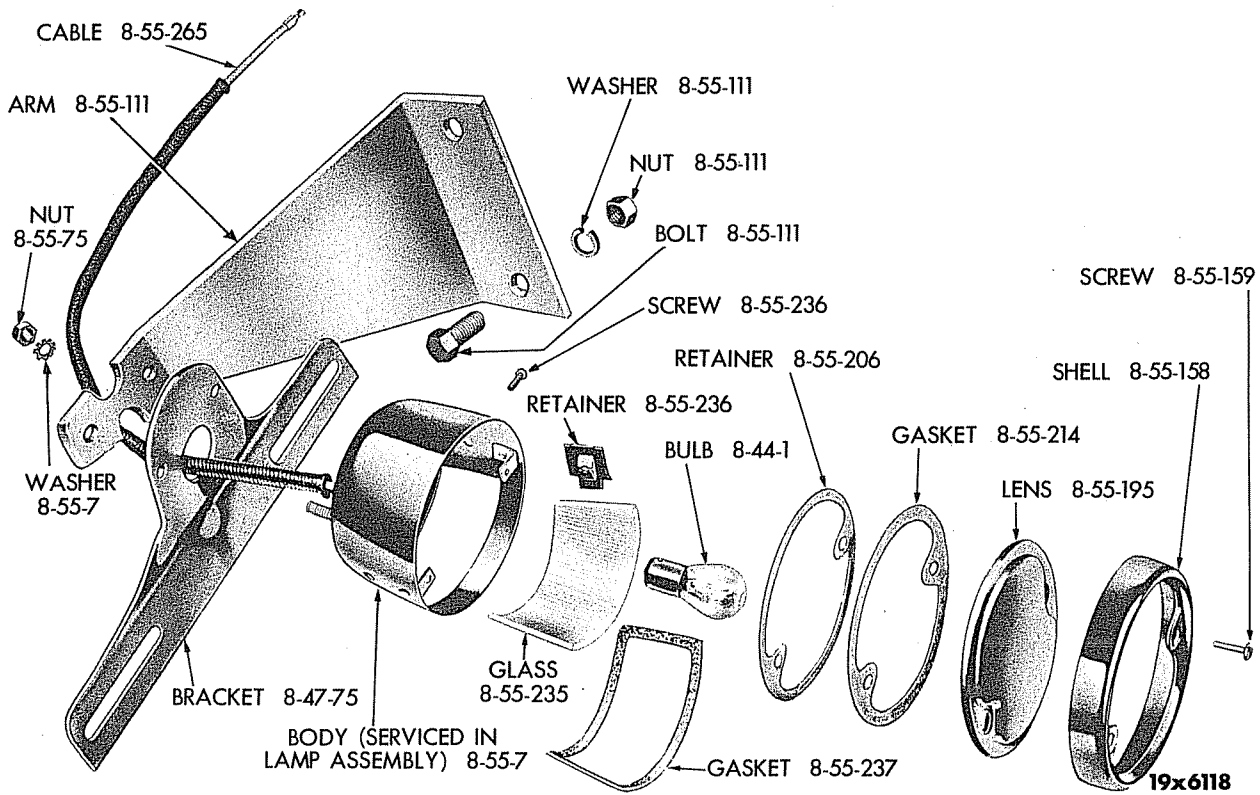


Plate 8-13

TAIL LAMP (EXCEPT PANEL JOBS) (EXPLODED VIEW)

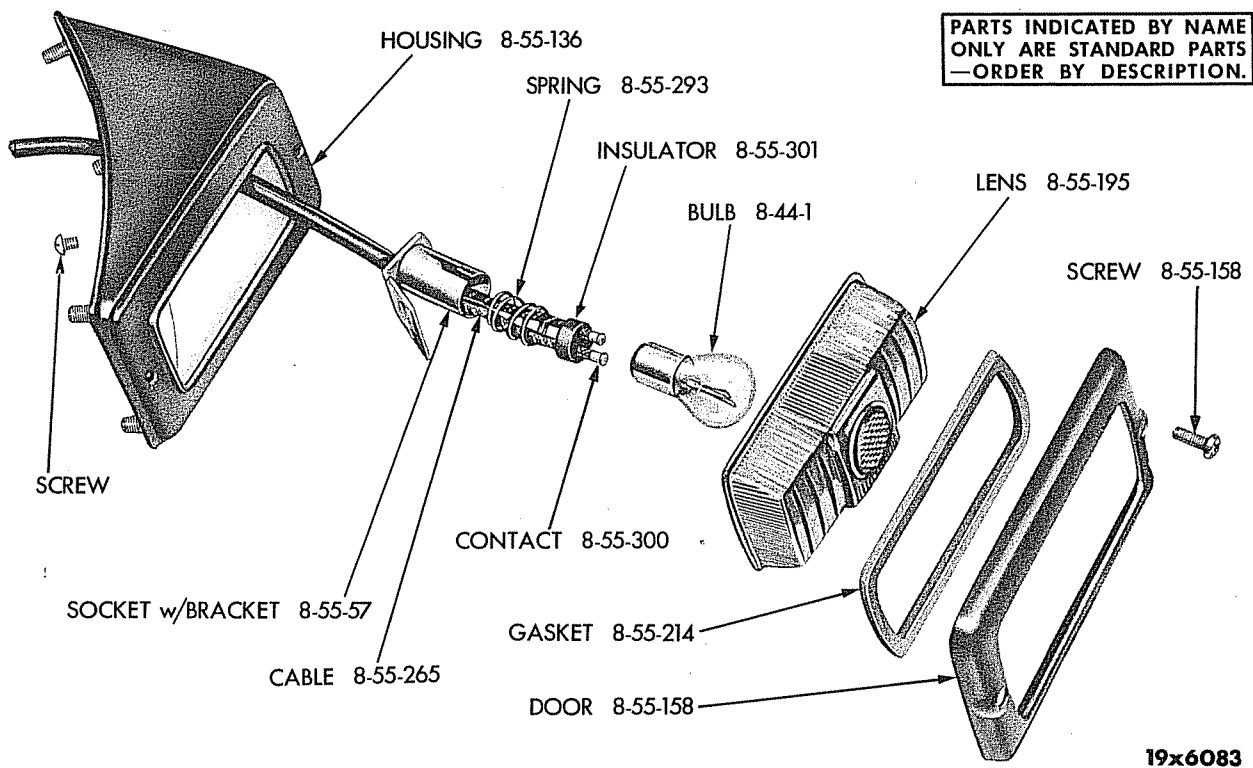
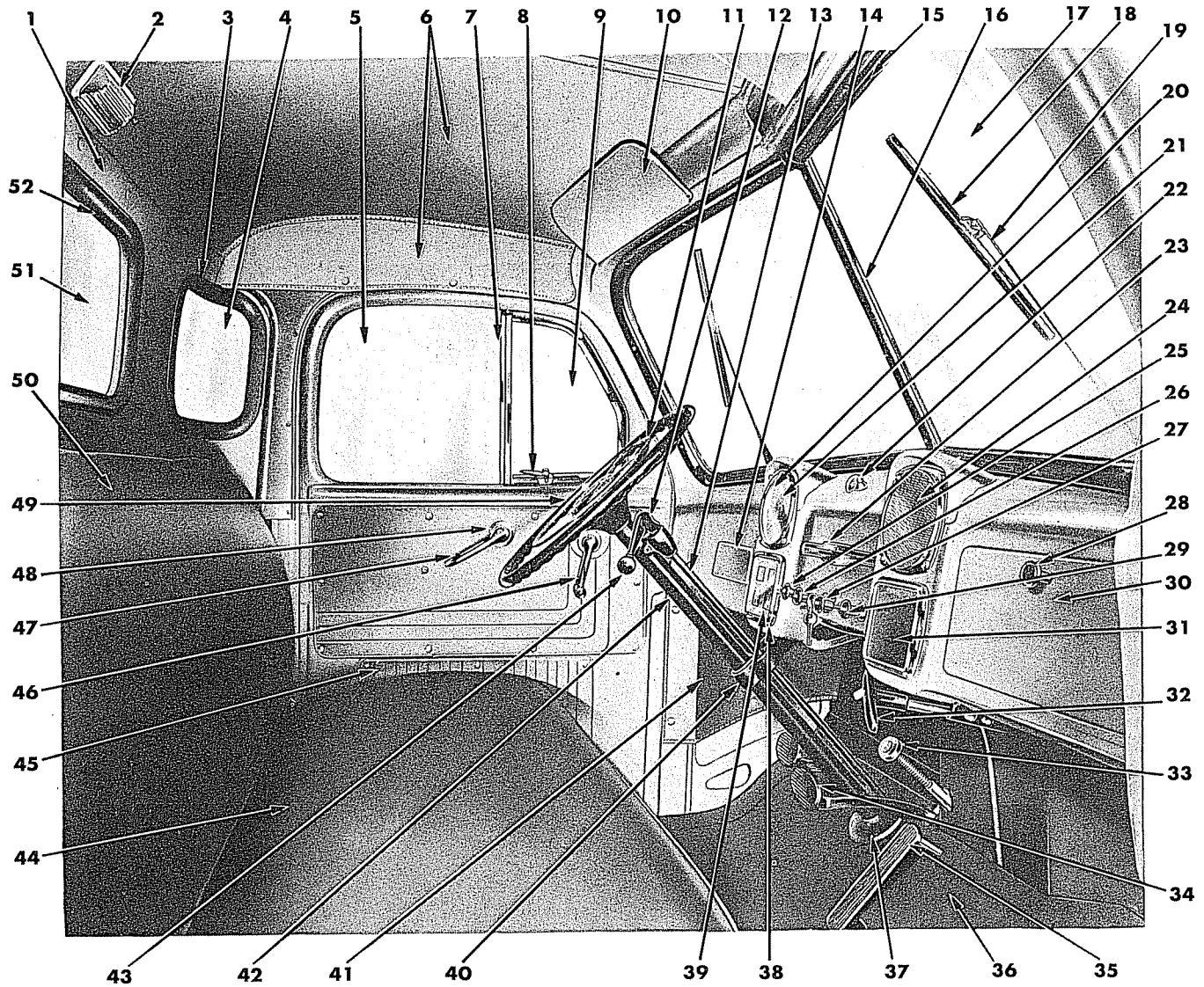


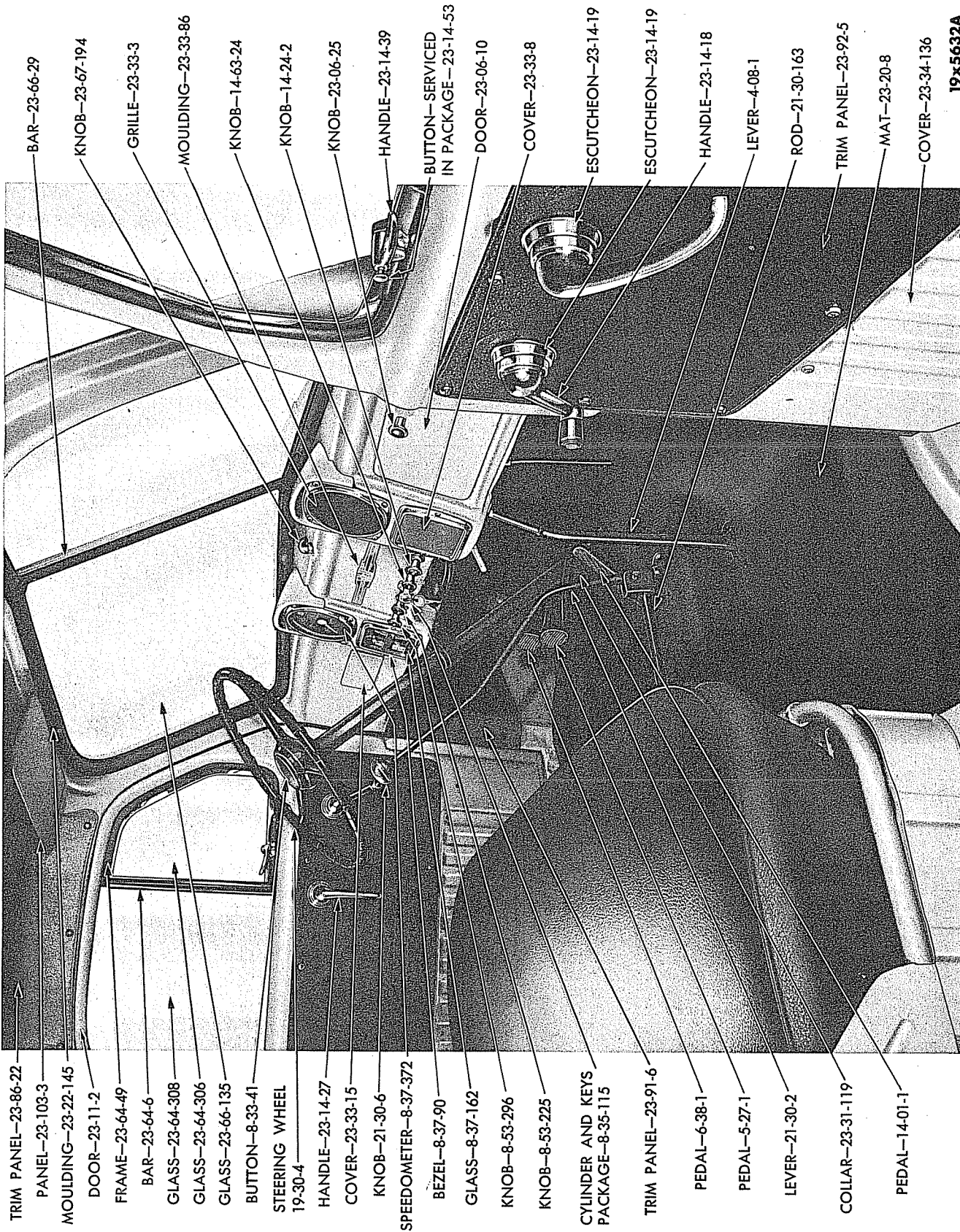
Plate 8-14

TAIL LAMP (PANEL) (EXPLODED VIEW)



REF. NO.	NAME	PART TYPE CODE	REF. NO.	NAME	PART TYPE CODE	REF. NO.	NAME	PART TYPE CODE
1	TRIM PANEL	23-89-10	19	ARM	23-67-5	37	COLLAR	23-31-119
2	BEZEL W/LENS	8-05-8	20	GLASS	8-37-410	38	BEZEL	8-37-90
3	WEATHERSTRIP	23-63-100	21	SPEEDOMETER	8-37-372	39	GLASS	8-37-162
4	GLASS	23-64-310	22	KNOB	23-67-194	40	BRACKET	19-31-1
5	GLASS	23-64-308	23	MOULDING	23-33-86	41	TRIM PANEL	23-91-6
6	TRIM PANEL	23-86-22	24	GRILLE	23-33-3	42	JACKET	19-14-1
7	BAR	23-64-6	25	KNOB	8-53-296	43	KNOB	21-30-6
8	HANDLE	23-14-39	26	KNOB	8-53-225	44	SEAT CUSHION	23-108-4
9	GLASS	23-64-306	27	KNOB	14-63-24	45	COVER	23-34-136
10	PANEL	23-103-3	28	KNOB	23-06-25	46	HANDLE	23-14-18
11	RING	8-33-4	29	KNOB	14-24-2	47	HANDLE	23-14-27
12	LEVER	21-30-2	30	DOOR	23-06-10	48	ESCUTCHEON	23-14-19
13	ROD	19-46-3	31	COVER	23-33-8	49	WHEEL	19-30-4
14	COVER	23-33-15	32	LEVER	4-08-1	50	SEAT BACK	23-108-12
15	MOULDING	23-22-145	33	PEDAL	8-52-457	51	GLASS	23-64-314
16	BAR	23-66-29	34	PEDAL	5-27-1	52	WEATHERSTRIP	23-63-112
17	GLASS	23-66-135	35	PEDAL	14-01-1			
18	BLADE PACKAGE	23-67-2	36	MAT	23-20-8			

19x5600A



DELUXE CAB (CAB-OVER-ENGINE) (B-3 and B-4) (INTERIOR VIEW)

Plate 8-16

CODE	PART NAME AND DESCRIPTION	SERIES NO.	MODEL CODES													PART NO.			
			B	C	D	F	G	H & HH	FM	GM	HM & HHM	J	JM	K	KM		R	T	V
BATTERY CABLES																			
8-01-3	COVER, Vent	2, 3, 4	-	-	-	-	-	-	-	1	1	-	1	-	1	-	-	-	1268 144
8-01-4	CABLE, Ground, w/TERMINALS																		
	(24" lgh.)	1, 2	1	1	1	1	1	1	-	-	-	1	-	1	-	1	1	1	687 782
	(24" lgh.)	3, 4	1	1	1	-	-	-	-	-	-	-	-	-	-	-	-	-	687 782
	w/TERMINAL (12" lgh.)	3, 4	-	-	-	1	1	1	-	-	-	1	-	1	-	1	1	1	687 779
	w/TERMINALS (30" lgh.)	-	-	-	-	-	-	-	1	1	1	-	1	-	1	-	-	-	687 783
8-01-7	CLIP, Cable	-	-	-	-	-	-	-	1	1	1	-	1	-	1	-	-	-	512 530
	Screw, 1/4"-20 x 3/8"	-	-	-	-	-	-	-	1	1	1	-	1	-	1	-	-	-	1163 808
		-	-	-	-	-	-	-	1	1	1	-	1	-	1	-	-	-	187 058
8-01-11	BOLT, Ground Terminal	-	1	1	1	1	1	1	1	1	1	1	1	1	1	1	1	1	663 219
8-01-12	NUT, Ground Terminal Bolt	-	1	1	1	1	1	1	1	1	1	1	1	1	1	1	1	1	663 220
8-01-15	WASHER, Ground Terminal Felt.	-	1	1	1	1	1	1	1	1	1	1	1	1	1	1	1	1	687 975
8-01-17	CABLE, Starter, w/TERMINALS																		
	(36" lgh.)	3, 4	1	1	1	-	-	-	-	-	-	-	-	-	-	-	-	-	1267 383
	(30" lgh.)	1, 2	1	1	1	-	-	-	-	-	-	-	-	-	-	-	-	-	687 767
	(30" lgh.)	-	-	-	-	1	1	1	-	-	-	1	-	1	-	1	1	1	687 767
	(60" lgh.)	-	-	-	-	-	-	-	1	1	1	-	1	-	1	-	-	-	687 772
	(32" lgh.)	-	-	-	-	-	-	-	-	-	-	-	-	-	-	-	-	1	1268 257
	Clip	-	1	1	1	1	1	1	-	-	-	1	-	1	-	1	1	1	140 574
	Screw or Bolt, 1/4"-20 x 1/2"	-	1	1	1	1	1	1	-	-	-	1	-	1	-	1	1	1	120 706
	Washer, lock	-	1	1	1	1	1	1	-	-	-	1	-	1	-	1	1	1	121 753
8-01-20	BOLT, Starter Terminal	-	1	1	1	1	1	1	1	1	1	1	1	1	1	1	1	1	663 219
8-01-21	NUT, Starter Terminal Bolt	-	1	1	1	1	1	1	1	1	1	1	1	1	1	1	1	1	663 220
DOMELAMP																			
8-05-6	BASE	-	1	1	1	1	1	1	1	1	1	1	1	1	1	1	1	1	1193 291
	Screw, No. 10-16 x 1/2"	-	2	2	2	2	2	2	2	2	2	2	2	2	2	2	2	2	143 152
8-05-8	BEZEL, w/LENS	-	1	1	1	1	1	1	1	1	1	1	1	1	1	1	1	1	1193 288
8-05-13	NUT, Switch Base Mounting	-	-	-	-	-	-	-	-	-	-	-	-	-	-	-	-	-	-
	Screw	-	1	1	1	1	1	1	1	1	1	1	1	1	1	1	1	1	1262 996
8-05-14	SWITCH, w/SOCKET	-	1	1	1	1	1	1	1	1	1	1	1	1	1	1	1	1	1193 292
DOMELAMP CABLE																			
8-06-2	CABLE, Feed (Panel) (specify 112" of 211 318 Cable, 1-200 393 Terminal, 1-870 821 Terminal, 2-1264 933 Sleeve)	-	★	-	-	-	-	-	-	-	-	-	-	-	-	-	-	-	-----
8-06-5	CABLE, Ground (specify 14" of 211 318 Cable, 1-200 001 Terminal, 1-200 393 Terminal and 2-1264 933 Sleeve)	-	★	★	★	★	★	★	★	★	★	★	★	★	★	★	★	★	-----
CHASSIS AND BODY WIRING																			
8-15-2	WIRING, Chassis (w/107" W.B.)	1	-	-	-	-	-	-	1	-	1	-	1	-	-	-	-	-	1260 811
	(w/130", 136", 154" and 172" W.B.)	1	-	-	-	-	-	-	-	-	-	-	-	-	1	1	1	-	1260 816
	(specify length required of 211 318 Cable No. 16, 1- 200 393 Terminal, 7-665 151 Terminal and 1-1264 933 Sleeve)	-	★	★	★	★	★	★	★	★	★	★	★	★	★	★	★	★	-----
8-15-4	WIRING, Body	1, 2	1	1	1	1	1	1	-	-	-	1	-	1	-	-	-	-	1268 274
	(except Flat Face Cowl)	3, 4	1	1	1	1	1	1	-	-	-	1	-	1	-	-	-	-	1274 080

★ Indicates use as required.

□ Indicates parts not listed in any previous parts books.

Series No. (1 indicates B-1 Series) (2 indicates B-2 Series) (3 indicates B-3 Series) (4 indicates B-4 Series)

Where no Series No. is shown part is for B-1, B-2, B-3 and B-4 Series.

Prices and specifications subject to change without notice.

Printed in U.S.A.

December 31, 1952

CODE	PART NAME AND DESCRIPTION	SERIES NO.	MODEL CODES													PART NO.			
			B	C	D	F	G	H & HH	FM	GM	HM & HHM	J	JM	K	KM		R	T	V
CHASSIS AND BODY WIRING - Cont'd																			
8-15-4	WIRING, Body (Flat Face Cowl) . . .	3,4	1	1	1	1	1	1	-	-	-	1	-	1	-	-	-	-	1268 274
		1	-	-	-	-	-	-	1	-	1	-	1	-	1	-	-	-	1260 830
		2	-	-	-	-	-	-	-	1	1	-	1	-	1	-	-	-	1269 141
		3,4	-	-	-	-	-	-	-	1	1	-	1	-	1	-	-	-	1274 103
		1	-	-	-	-	-	-	-	-	-	-	-	-	-	-	★	★	1260 826
		1	-	-	-	-	-	-	-	-	-	-	-	-	-	★	★	★	1266 533
		2	-	-	-	-	-	-	-	-	-	-	-	-	1	1	1	1	1269 142
		3,4	-	-	-	-	-	-	-	-	-	-	-	-	1	1	1	1	1274 101
	(w/1136 934, 1136 931 generators w/1336 934, 1136 931, 1262 334 and 1263 554 generators)	-	1	1	1	1	1	1	-	-	-	1	-	1	-	1	1	1	1263 498
	(Flat Face and Windshield Cowl).	3,4	1	1	1	1	1	1	-	-	-	1	-	1	-	1	1	1	1269 142
	(Flat Face Cowl).	4	-	-	-	-	-	-	-	-	1	-	-	1	-	-	-	-	1269 141
8-15-5	SLEEVE, Body Wiring (w/1263 498 and 1263 500 wiring)	-	1	1	1	1	1	1	1	1	1	1	1	1	1	1	1	1	1188 502
8-15-19	CONNECTOR (body wiring to horn ground cable).	-	1	1	1	1	1	1	1	1	1	1	1	1	1	1	1	1	611 898
8-15-29	WIRING, Dimmer Switch to Junction Block	3,4	1	1	1	1	1	1	-	-	-	1	-	1	-	1	1	1	1264 035
8-15-32	CLIP, Fuel Gauge Cable.	2,3,4	-	-	-	-	-	-	-	1	1	-	1	-	1	-	-	-	1268 231
	(frame)	-	★	★	★	★	★	★	★	★	★	★	★	★	★	★	★	★	1261 740
	(frame)	-	★	★	★	★	★	★	★	★	★	★	★	★	★	★	★	★	639 853
	(frame)	-	-	-	-	-	-	-	★	★	★	-	★	-	★	★	★	★	386 736
	Chassis Cable	-	-	-	-	-	-	-	-	-	-	-	-	-	-	-	-	-	-
	(frame)	-	★	★	★	★	★	★	★	★	★	★	★	★	★	★	★	★	51 421
	(frame)	-	★	★	★	★	★	★	★	★	★	★	★	★	★	★	★	★	1263 079
	(frame)	-	★	★	★	★	★	★	-	-	-	★	-	★	-	★	★	★	639 853
	(frame)	-	-	-	-	-	-	-	★	★	★	★	★	★	★	★	★	★	1302 783
	(dash)	-	★	★	★	★	★	★	★	★	★	★	★	★	★	★	★	★	1263 079
	(dash)	-	★	★	★	★	★	★	★	★	★	★	★	★	★	★	★	★	512 530
	(dash)	-	★	★	★	★	★	★	★	★	★	★	★	★	★	★	★	★	1302 783
	(dash)	-	★	★	★	★	★	★	-	-	-	★	-	★	-	★	★	★	1302 783
	(splash shield)	-	★	★	★	★	★	★	★	★	★	★	★	★	★	★	★	★	1263 079
	(splash shield)	-	★	★	★	★	★	★	-	-	-	★	-	★	-	★	★	★	51 421
	(splash shield)	-	-	-	-	-	-	-	★	★	★	-	★	-	★	-	-	-	1302 783
	(starter cable)	-	-	-	★	★	★	-	-	-	-	-	-	-	-	-	-	-	674 292
	(engine)	-	★	★	★	★	★	★	★	★	★	★	★	★	★	★	★	★	1302 783
	(engine)	-	★	★	★	★	★	★	★	★	★	★	★	★	★	★	★	★	1263 079
	Dome Lamp Cable (Panel)	-	★	-	-	-	-	-	-	-	-	-	-	-	-	-	-	-	1263 079
	Chassis Cable	-	-	-	-	-	-	-	-	-	-	-	-	-	-	-	-	-	-
	(headlamp)	-	★	★	★	★	★	★	★	★	★	★	★	★	★	★	★	★	1263 079
	(headlamp)	-	★	★	★	★	★	★	★	★	★	★	★	★	★	★	★	★	1302 783
	(headlamp)	-	★	★	★	★	★	★	★	★	★	★	★	★	★	★	★	★	512 530
	(vent brace)	-	★	★	★	★	★	★	★	★	★	★	★	★	★	★	★	★	1263 079

CHASSIS WIRING CABLE AND CONNECTIONS

NOTE: For a more practical and economical method of servicing car wirings, only the more complicated assemblies will be stocked for service. These will be found listed in their respective groups. On the more simple assemblies the required length and size of cable, terminals, etc., should be ordered.

8-16-2	CABLE (specify by the inch)																		
	(No. 10 cable, black braid)	-	★	★	★	★	★	★	★	★	★	★	★	★	★	★	★	★	665 140
	(specify by the inch) (No. 12 cable, red braid)	-	★	★	★	★	★	★	★	★	★	★	★	★	★	★	★	★	385 571
	(specify by the inch) (No. 14 cable, green braid)	-	★	★	★	★	★	★	★	★	★	★	★	★	★	★	★	★	385 573

CODE	PART NAME AND DESCRIPTION	SERIES NO.	MODEL CODES													PART NO.			
			B	C	D	F	G	H & HH	FM	GM	HM & HHM	J	JM	K	KM		R	T	V
CHASSIS WIRING CABLE AND CONNECTIONS - Cont'd																			
8-16-2	CABLE (specify by the inch) (No. 16 cable, blue braid)	-	*	*	*	*	*	*	*	*	*	*	*	*	*	*	*	*	211 318
	Horn (specify by the inch) (No. 16 cable)	-	*	*	*	*	*	*	*	*	*	*	*	*	*	*	*	*	868 127
	Terminal	-	*	*	*	*	*	*	*	*	*	*	*	*	*	*	*	*	200 394
		-	*	*	*	*	*	*	*	*	*	*	*	*	*	*	*	*	200 286
		-	*	*	*	*	*	*	*	*	*	*	*	*	*	*	*	*	200 393
		-	*	*	*	*	*	*	*	*	*	*	*	*	*	*	*	*	200 156
		-	*	*	*	*	*	*	*	*	*	*	*	*	*	*	*	*	200 019
		-	*	*	*	*	*	*	*	*	*	*	*	*	*	*	*	*	200 052
8-16-3	CABLE (100 ft. spool) (No. 10 cable, black braid)	-	*	*	*	*	*	*	*	*	*	*	*	*	*	*	*	*	830 814
	(100 ft. spool) (No. 12 cable, red braid)	-	*	*	*	*	*	*	*	*	*	*	*	*	*	*	*	*	830 813
	(100 ft. spool) (No. 14 cable, green braid)	-	*	*	*	*	*	*	*	*	*	*	*	*	*	*	*	*	830 812
	(100 ft. spool) (No. 16 cable, blue braid)	-	*	*	*	*	*	*	*	*	*	*	*	*	*	*	*	*	830 810
	Horn (100 ft. spool) (No. 16 cable)	-	*	*	*	*	*	*	*	*	*	*	*	*	*	*	*	*	1064 754
8-16-4	TERMINAL	-	*	*	*	*	*	*	*	*	*	*	*	*	*	*	*	*	870 821
		-	*	*	*	*	*	*	*	*	*	*	*	*	*	*	*	*	665 151
8-16-5	SLEEVE, Terminal (1" x .330)	-	*	*	*	*	*	*	*	*	*	*	*	*	*	*	*	*	1264 933
	(1" x .330)	-	*	*	*	*	*	*	*	*	*	*	*	*	*	*	*	*	930 304
		-	*	*	*	*	*	*	*	*	*	*	*	*	*	*	*	*	1188 502
		-	*	*	*	*	*	*	*	*	*	*	*	*	*	*	*	*	1264 933
8-16-8	CONNECTOR, Chassis Wiring to Body Wiring (triple)	-	*	*	*	*	*	*	*	*	*	*	*	*	*	*	*	*	657 560
	Wiring (single)	-	*	*	*	*	*	*	*	*	*	*	*	*	*	*	*	*	611 898
INSTRUMENT PANEL WIRING																			
8-19-26	CABLE, headlamp Switch to Dome Lamp (Panel only) (specify 104" of 211 318 Cable, 1-200 393 Terminal 1-870 821 Terminal, 2-1264 933 Sleeve)	-	*																-----
	Headlamp Switch to Dome Lamp Switch (Cabs) (specify 113" of 211 318 Cable, 1-870 821 Terminal, 1-200 393 Terminal, 2-1264 933 Sleeve)	-	*	*	*	*	*	*	*	*	*	*	*	*	*	*	*	*	-----
8-19-28	CABLE, Fuel Gauge to Fuel Gauge Switch (specify 8" of 211 318 Cable, 1-200 393 Terminal, 1-665 151 Terminal, 1-1264 933 Sleeve)	-				*	*	*	*	*	*	*	*	*	*	*	*	*	-----
	Fuel Gauge Extension (School Bus with 30 Gallon tank) (specify 70" of 211 318 Cable, 1-200 393 Terminal, 1-665 151 Terminal, 1-1264 933 Sleeve)	-				*	*	*				*		*		*			-----
	Ignition Switch to Fuel Gauge (specify 4" of 385 571 Cable, 2-200 393 Terminal, 2-1264 933 Sleeves)	-	*	*	*	*	*	*	*	*	*	*	*	*	*	*	*	*	-----

★ Indicates use as required.

☐ Indicates parts not listed in any previous parts books.

Series No. (1 indicates B-1 Series) (2 indicates B-2 Series) (3 indicates B-3 Series) (4 indicates B-4 Series)

Where no Series No. is shown part is for B-1, B-2, B-3 and B-4 Series.

Prices and specifications subject to change without notice.

CODE	PART NAME AND DESCRIPTION	SERIES NO.	MODEL CODES														PART NO.			
			B	C	D	F	G	H & HH	FM	GM	HM & HHM	J	JM	K	KM	R		T	V	Y
INSTRUMENT PANEL WIRING																				
8-19-28	CABLE, Fuel Gauge Switch to Fuel Gauge Tank Unit (right side) (specify 108" of 211 318 Cable, 1-200 393 Terminal, 1-665 151 Terminal, 1-1264 933 Sleeve) (w/dual tanks)	-	*	*	*	*	*	*	*	*	*	*	*	*	*	*	*	*	*	----
	Fuel Gauge Switch to Fuel Gauge Tank Unit Extension (left side) (specify .27" of 211 318 Cable, 1-200 393 Terminal, 1-1264 933 Sleeve) (w/dual tank)	-	-	-	*	*	*	*	*	*	*	*	*	*	*	*	*	*	*	----
8-19-68	WIRING, Generator Regulator to Ammeter	3,4	-	-	-	-	-	-	-	1	1	-	1	-	1	-	-	-	-	1274 104
HEADLAMP CABLE TERMINAL BLOCK																				
8-21-1	BLOCK	-	2	2	2	2	2	2	2	2	2	2	2	2	2	2	2	2	2	683 995
	Nut (terminal)	-	6	6	6	6	6	6	6	6	6	6	6	6	6	6	6	6	6	120 614
	Washer, lock	-	6	6	6	6	6	6	6	6	6	6	6	6	6	6	6	6	6	138 479
8-21-11	SCREW, Mounting	-	4	4	4	4	4	4	4	4	4	4	4	4	4	4	4	4	4	929 054
IGNITION DISTRIBUTOR																				
8-27-1	DISTRIBUTOR (B-2-B and B-2-C up to engine No. T172-60833)	1,2	1	1	-	-	-	-	-	-	-	-	-	-	-	-	-	-	-	1233 564
	(B-2-B and B-2-C from engine No. T172-60833 to T306-109480)	2,3	1	1	-	-	-	-	-	-	-	-	-	-	-	-	-	-	-	*1343 554
	(B-3-B and B-3-C after engine No. T306-109480)	3,4	1	1	-	-	-	-	-	-	-	-	-	-	-	-	-	-	-	E1479 589
	(1193 282 Distributor cancelled - service detail parts) (B-2-D up to engine No. T176-11629) (service 1274 106 Distributor)	1,2	-	-	1	-	-	-	-	-	-	-	-	-	-	-	-	-	-	-----
	(B-2-D after engine No. T176-11629)	2	-	-	1	-	-	-	-	-	-	-	-	-	-	-	-	-	-	1274 106
		3,4	-	-	1	-	-	-	-	-	-	-	-	-	-	-	-	-	-	1274 066
	(B-2-F and B-2-G up to engine No. T178-10042. B-2-H and B-2-HH up to engine No. T192-5681. B-2-GM up to engine No. T182-1259. B-2-HM and B-2-HHM up to engine No. T194-1195) (1193 317 Distributor cancelled-service detail parts) (service 1274 116 Distributor)	-	-	-	-	1	1	1	-	1	1	-	-	-	-	-	-	-	-	-----
	(B-2-F and B-2-G from engine No. T178-10042 to T178-15710. B-2-H and B-2-HH from engine No. T192-5681 to T192-8568. B-2-GM from engine No. T182-1259 to T182-1417. B-2-HM and B-2-HHM from engine No. T194-1195 to 1299) (1193 319 Distributor cancelled-service detail parts.) (service 1274 116 Distributor)	-	-	-	-	1	1	1	-	1	1	-	-	-	-	-	-	-	-	-----

*Indicates use as required.

ⓁIndicates parts not listed in any previous parts books.

Series No. (1 indicates B-1 Series) (2 indicates B-2 Series) (3 indicates B-3 Series) (4 indicates B-4 Series)

Where no Series No. is shown part is for B-1, B-2, B-3 and B-4 Series.

April 13, 1953 Supersedes Dec. 31, 1952.

Prices and specifications subject to change without notice.

Printed in U.S.A.

* Indicates change or addition.

CODE	PART NAME AND DESCRIPTION	SERIES NO.	MODEL CODES													PART NO.			
			B	C	D	F	G	H & HH	FM	GM	HM & HHM	J	JM	K	KM		R	T	V
IGNITION DISTRIBUTOR - Cont'd																			
8-27-1	DISTRIBUTOR (B-2-F and B-2-G after engine No. T178-15710. B-2-H and B-2-HH after engine No. T192-8568. B-2-GM after engine No. T182-1417. B-2-HM and B-2-HHM after engine No. T194-1299.)	2	-	-	-	1	1	1	-	1	1	-	-	-	-	-	-	-	1274 116
	(w/o tachometer) (1193 319 Distributor Assembly cancelled service detail parts) (B-2-J and B-2-K up to engine No. T180-9161. B-2-JM and B-2-KM up to engine No. T184-1878)	1,2	-	-	-	-	-	-	-	-	1	1	1	1	-	-	-	-	-----
	(w/o tachometer) (B-2-J and B-2-K after engine No. T180-9161. B-2-JM and B-2-KM after engine No. T184-1878)	1,2	-	-	-	-	-	-	-	-	1	1	1	1	-	-	-	-	1274 116
	(w/o tachometer)	3,4	-	-	-	1	1	1	-	1	1	1	1	1	-	-	-	-	1274 116
	(w/o tachometer)	1,2	-	-	-	-	-	-	-	-	1	1	1	1	-	-	-	-	1274 116
	(w/o tachometer)	3,4	-	-	-	1	1	1	-	1	1	1	1	1	-	-	-	-	1261 406
	(w/tachometer)	-	-	-	-	-	-	-	-	-	1	1	1	1	-	-	-	-	1265 811
	(w/o tachometer)	-	-	-	-	-	-	-	-	-	-	-	-	-	1	-	-	-	1266 945
	(w/tachometer)	-	-	-	-	-	-	-	-	-	-	-	-	-	-	1	1	1	1193 314
	(w/o tachometer)	-	-	-	-	-	-	-	-	-	-	-	-	-	-	1	1	1	1261 411
	(w/tachometer)	-	-	-	-	-	-	-	-	-	-	-	-	-	-	-	-	-	-
	Screw, No. 10-32 x 3/8" (terminal)	-	1	1	1	1	1	1	1	1	1	1	1	1	1	1	1	1	132 900
	(w/tachometer)	-	-	-	-	-	-	-	-	-	1	1	1	1	-	-	-	-	1261 406
	(w/o tachometer)	-	-	-	-	-	-	-	-	-	-	-	-	-	1	-	-	-	1265 811
	(w/tachometer)	-	-	-	-	-	-	-	-	-	-	-	-	-	1	-	-	-	1266 945
	(w/o tachometer)	-	-	-	-	-	-	-	-	-	-	-	-	-	-	1	1	1	1193 314
	(w/tachometer)	-	-	-	-	-	-	-	-	-	-	-	-	-	-	1	1	1	1261 411
	Screw, No. 10-32 x 3/8" (terminal)	-	1	1	1	1	1	1	1	1	1	1	1	1	1	1	1	1	132 900

Continued on Opposite Page - Read Across

CODE	DISTRIBUTORS	1233 564	1343 554	1193 282	1274 106	1193 317
------	--------------	----------	----------	----------	----------	----------

Note: All quantities are one (1) unless otherwise indicated in parenthesis.

IGNITION DISTRIBUTOR - Cont'd

8-27-4	RETAINER, Oil	41 928	----	41 928	----	41 928
8-27-19	ARM, Advance	866 069	866 069	866 069	866 069	866 069
	Bolt or Screw, 1/4"-20 x 1/2"	120 706	----	----	----	----
	Bolt or Screw, 1/4"-20 x 5/8"	----	120 854	120 854	120 854	120 854
	Washer, lock	174 916	131 098	131 098	131 098	131 098
	Washer, plain	----	120 392	120 392	120 392	120 392
8-27-33	POINTER, Advance Arm	866 449	----	866 449	866 449	866 449
8-27-71	CAP.	1235 421	1343 576	1235 421	1343 576	1235 421
8-27-75	PLUG, Vent Hole Rubber	----	----	----	----	----
8-27-78	BRACKET, Cap Spring	1267 369	----	----	----	----
	BRACKET, Cap Spring	1267 371	----	----	----	----
8-27-82	SPRING, Cap Contact Plunger	1308 183	1308 183	1308 183	1308 183	1308 183
8-27-83	PLUNGER, Cap Contact	1195 772	1195 772	1195 772	1195 772	1195 772
8-27-93	WICK, Base Felt	953 714	953 714	953 714	953 714	953 714
8-27-95	GASKET, Bracket to Base	1261 004	----	----	----	----
8-27-96	BASE	1261 007	1345 223	----	1274 091	----
8-27-100	OILER, Base	953 717	953 717	953 717	953 717	953 717
8-27-114	BEARING, Ball	----	----	----	----	----
8-27-126	SCREW, Drive Shaft Bushing Retainer Set	----	----	----	----	----
8-27-128	WASHER, Retainer Set Screw (9-06-27)	----	----	----	----	----
8-27-132	BEARING, Absorbent Bronze (2)	643 906	643 906	643 906	643 906	643 906
	BUSHING, Drive Shaft (2)	----	----	----	----	----
8-27-138	PLATE, Breaker	1261 009	1345 484	1195 775	1274 090	1195 775
	PLATE, Breaker, Assembly	1261 008	1343 578	1195 774	----	1195 774
	SUB-PLATE, Assembly	1253 292	----	----	----	----
8-27-151	BRACKET, Breaker Plate Mounting (2)	1345 583	----	----	----	----
8-27-152	CLAMP, Sub-Plate Bearing (2)	643 902	----	----	----	----
8-27-158	POINT SET, Breaker Contact	699 291	1343 581	592 477	1274 092	592 477
	Screw, No. 8-32 x 3/16"	131 949	----	131 949	131 949	131 949
	Washer, plain	131 015	----	131 015	131 015	131 015
8-27-161	CLIP, Contact Arm Spring	643 908	----	643 989	----	643 989
8-27-167	SCREW, Spring Clip	1089 084	1343 594	1089 084	----	1089 084
	Washer, plain	131 014	131 014	131 014	----	131 014
8-27-190	CONDENSER	1135 589	1343 580	1136 534	1274 086	1136 534
	Screw, No. 6-32 x 1/8"	131 870	131 870	131 870	131 870	131 870
	Washer, lock	131 044	----	131 044	131 044	131 044
8-27-194	WASHER, Condenser and Clamp Screw Lock (2) (8-27-230)	----	----	----	----	----
8-27-205	LEAD, Assembly	699 309	1343 582	----	----	----
	LEAD, Assembly	1261 010	1343 583	----	----	----
	Screw, No. 6-32 x 1/8" (3)	131 870	131 949	----	----	----
	Washer, lock (3)	131 044	121 841	----	----	----
8-27-211	TERMINAL, Lead (4)	1121 985	----	----	----	----
8-27-214	INSULATION, Terminal	----	----	----	1369 774	----
8-27-216	STUD, Terminal	----	1343 592	----	1274 093	----
	Nut	----	120 614	----	120 614	----
	Washer, lock	----	120 217	----	120 217	----
8-27-223	SPACER, Terminal	----	1274 089	----	1274 089	----

★Indicates use as required.

Prices and specifications subject to change without notice.

☐Indicates parts not listed in any previous parts books.

Series No. (1 indicates B-1 Series) (2 indicates B-2 Series) (3 indicates B-3 Series) (4 indicates B-4 Series)

Where no Series No. is shown part is for B-1, B-2, B-3 and B-4 Series.

Printed in U.S.A.

Continued from Preceding Page - Read Across

1271 146	1193 319	1274 066	1261 406	1274 116	1265 811	1266 945	1193 314	1261 411	CODE
-----	41 928	-----	41 928	-----	677 926	677 926	677 926	677 926	8-27-4
866 069	866 069	866 069	866 069	866 069	581 596	581 596	581 596	581 596	8-27-19
-----	-----	-----	-----	-----	-----	-----	-----	-----	-----
120 854	120 854	120 854	120 854	120 854	-----	-----	-----	-----	-----
131 098	131 098	131 098	131 098	131 098	-----	-----	-----	-----	-----
120 392	120 392	120 392	120 392	120 392	-----	-----	-----	-----	-----
-----	-----	-----	-----	-----	-----	-----	-----	-----	-----
866 449	866 449	866 449	312 303	866 449	581 598	581 598	581 598	581 598	8-27-33
1343 576	1235 421	1343 576	643 822	1343 576	1235 421	643 822	1235 421	643 822	8-27-71
-----	-----	-----	648 246	-----	-----	648 246	-----	648 246	8-27-75
-----	-----	-----	-----	-----	-----	-----	-----	-----	8-27-78
-----	-----	-----	-----	-----	-----	-----	-----	-----	-----
1308 183	1308 183	1308 183	1308 183	1308 183	1308 183	1308 183	1308 183	1308 183	8-27-82
1195 772	1195 772	1195 772	643 896	1195 772	1195 772	643 896	1195 772	643 896	8-27-83
953 714	953 714	958 177	953 714	958 177	953 714	953 714	953 714	953 714	8-27-93
-----	-----	-----	-----	-----	-----	-----	-----	-----	8-27-95
1274 091	-----	1390 531	1068 959	1390 531	1267 372	1266 943	1195 771	1266 943	8-27-96
-----	-----	-----	-----	-----	-----	-----	-----	-----	-----
953 717	953 717	953 717	953 717	953 717	925 453	925 453	925 453	925 453	8-27-100
-----	-----	-----	623 207	-----	-----	623 207	-----	623 207	8-27-114
-----	-----	-----	-----	-----	1142 718	1142 718	1142 718	1142 718	8-27-126
-----	-----	-----	-----	-----	43 851	43 851	43 851	43 851	8-27-128
-----	-----	-----	-----	-----	-----	-----	-----	-----	-----
643 906	643 906	643 906	643 906	643 906	643 906	643 906	643 906	643 906	8-27-132
-----	-----	-----	-----	-----	670 472	670 472	670 472	670 472	-----
1274 090	1195 775	1274 090	592 476	1274 090	1195 775	592 476	1195 775	592 476	8-27-138
-----	1195 774	-----	592 475	-----	1195 774	592 475	1195 774	592 475	-----
-----	-----	-----	-----	-----	-----	-----	-----	-----	-----
-----	-----	-----	-----	-----	-----	-----	-----	-----	8-27-151
-----	-----	-----	643 902	-----	-----	643 902	-----	643 902	8-27-152
1274 092	592 477	1274 092	592 477	1274 092	592 477	592 477	592 477	592 477	8-27-158
131 949	131 949	131 949	131 949	131 949	131 949	131 949	131 949	131 949	-----
131 015	131 015	131 015	131 015	131 015	131 015	131 015	131 015	131 015	-----
-----	643 989	-----	643 989	-----	643 989	643 989	643 989	643 989	8-27-161
-----	1089 084	-----	1089 084	-----	1089 084	1089 084	1089 084	1089 084	8-27-167
-----	131 014	-----	131 014	-----	131 014	131 014	131 014	131 014	-----
1274 086	1136 534	1274 086	674 960	1274 086	1136 534	674 960	1136 534	674 960	8-27-190
131 870	131 870	131 870	131 870	131 870	131 870	131 870	131 870	131 870	-----
131 044	131 044	131 044	131 044	131 044	131 044	131 044	131 044	131 044	-----
-----	-----	-----	-----	-----	-----	-----	-----	-----	-----
-----	-----	-----	-----	-----	1089 583	-----	-----	-----	8-27-194
-----	-----	-----	-----	-----	-----	-----	-----	-----	8-27-205
-----	-----	-----	-----	-----	-----	-----	-----	-----	-----
-----	-----	-----	-----	-----	-----	-----	-----	-----	-----
-----	-----	-----	-----	-----	-----	-----	-----	-----	8-27-211
1369 774	-----	1369 774	-----	1369 774	-----	-----	-----	-----	8-27-214
1274 093	-----	1274 093	-----	1274 093	-----	-----	-----	-----	8-27-216
120 614	-----	120 614	-----	120 614	-----	-----	-----	-----	-----
120 217	-----	120 217	-----	120 217	-----	-----	-----	-----	-----
1274 089	-----	1274 089	-----	1274 089	-----	-----	-----	-----	8-27-223

★ Indicates use as required.

Prices and specifications subject to change without notice.

☐ Indicates parts not listed in any previous parts books.

Series No. (1 indicates B-1 Series) (2 indicates B-2 Series) (3 indicates B-3 Series) (4 indicates B-4 Series)

Where no Series No. is shown part is for B-1, B-2, B-3 and B-4 Series.

Printed in U.S.A.

Continued on Opposite Page - Read Across

CODE	DISTRIBUTORS - Cont'd	1233 564	1343 554	1193 282	1274 106	1193 317
------	-----------------------	----------	----------	----------	----------	----------

Note: All quantities are one (1) unless otherwise indicated in parenthesis.

IGNITION DISTRIBUTOR - Cont'd

8-27-226	INSULATION, Terminal	----	1343 585	----	----	----
8-27-229	CLAMP, Terminal Screw	1092 826	1092 826	1092 826	----	1092 826
8-27-231	COVER, Terminal Slot	1244 738	----	1267 367	----	1267 367
8-27-232	BUSHING, Terminal Insulation	----	1343 591	----	1274 087	----
8-27-250	SHAFT, Drive	599 633	1343 589	599 633	1269 132	953 715
8-27-251	SHAFT, Drive Lower	----	----	----	----	----
	SHAFT, Drive Lower, Assembly (w/GEAR, COUPLING, RETAINER AND PIN)	----	----	----	----	----
8-27-257	WASHER, Shaft Upper Thrust	1195 769	1195 769	1195 769	1195 769	1195 769
	WASHER, Shaft Upper Thrust	1195 770	1195 770	1195 770	1195 770	1195 770
8-27-258	WASHER, Shaft Lower Thrust (8-27-257)	----	----	----	----	----
	WASHER, Shaft Lower Thrust	643 892	643 892	643 892	643 892	643 892
8-27-259	SPACER, Cam	859 903	859 903	859 903	859 903	859 903
8-27-265	COLLAR, Drive Shaft	643 903	643 903	643 903	643 903	643 903
8-27-266	RIVET, Drive Shaft Collar	636 899	636 899	636 899	636 899	636 899
8-27-277	WEIGHT, Governor (2)	643 917	643 917	643 917	643 917	643 917
8-27-279	SPRING SET, Governor Weight (consists of 2 Springs)	E1308 243	1308 182	852 026	852 026	959 310
8-27-292	CAM, w/Stop PLATE	959 316	1343 588	921 275	921 275	859 904
8-27-296	FELT, Cam Sleeve	643 899	643 899	643 899	643 899	643 899
8-27-298	SNAP RING, Cam Retaining	643 893	643 893	643 893	643 893	643 893
8-27-300	ROTOR	868 095	1343 587	868 095	1343 587	868 095
8-27-309	CHAMBER, Vacuum	1261 011	1343 590	----	----	----
	Screw, No. 10-32 x 3/8" (2)	132 900	132 096	----	----	----
8-27-310	SPRING, Vacuum Chamber	691 711	691 712	----	----	----
8-27-311	BRACKET, Vacuum Chamber	1261 005	----	----	----	----
	Screw, No. 10-32 x 3/8" (2)	132 105	----	----	----	----
	Washer, lock (2)	138 479	----	----	----	----
8-27-312	WASHER, Vacuum Chamber (.010" thk.) (★)	691 708	691 708	----	----	----
	WASHER, Vacuum Chamber (.032" thk.) (★)	691 709	691 709	----	----	----
	WASHER, Vacuum Chamber (.065" thk.) (★)	691 710	691 710	----	----	----
8-27-313	PLUG, Vacuum Chamber	691 706	691 706	----	----	----
8-27-314	GASKET, Vacuum Chamber Plug	691 707	691 707	----	----	----
8-27-315	GASKET, Vacuum Chamber to Bracket	1261 006	----	----	----	----
8-27-319	RING, Vacuum Chamber Lock	643 901	643 901	----	----	----
8-27-320	TUBE, Carburetor to Vacuum Control (5-53-52)	861 550	----	----	----	----
	TUBE, Governor to Vacuum Control (10-05-8)	861 549	861 549	----	----	----
	Nut (2)	137 396	137 396	----	----	----
	Connector (w/governor)	431 537	431 537	----	----	----
	Elbow (w/governor)	137 420	----	----	----	----
8-27-338	COUPLING, Drive Shaft	----	----	----	----	----
8-27-339	RIVET, Coupling (8-27-266)	----	----	----	----	----
8-27-350	COUPLING, Drive Shaft Lower	----	----	----	----	----
	Pin, stght.	----	----	----	----	----
8-27-353	GEAR, Drive Shaft (10-11-1)	----	----	----	----	----
	Pin, stght.	----	----	----	----	----

★Indicates use as required.

Prices and specifications subject to change without notice.

□Indicates parts not listed in any previous parts books.

Series No. (1 indicates B-1 Series) (2 indicates B-2 Series) (3 indicates B-3 Series) (4 indicates B-4 Series)

Where no Series No. is shown part is for B-1, B-2, B-3 and B-4 Series.

Printed in U.S.A.

Continued from Preceding Page - Read Across

1271 146	1193 319	1274 066	1261 406	1274 116	1265 811	1266 945	1193 314	1261 411	CODE
-----	-----	1274 088	-----	1274 088	-----	-----	-----	-----	8-27-226
-----	1092 826	-----	1092 826	-----	1092 826	1092 826	1092 826	1092 826	8-27-229
-----	1267 367	-----	648 030	-----	-----	648 030	-----	648 030	8-27-231
1274 087	-----	1274 087	-----	1274 087	-----	-----	-----	-----	8-27-232
1269 131	953 715	1390 532	1068 961	1390 532	677 156	1266 942	677 156	1266 942	8-27-250
-----	-----	-----	-----	-----	-----	-----	670 471	670 471	8-27-251
-----	-----	-----	-----	-----	1142 715	1142 715	1142 715	1142 715	-----
1195 769	1195 769	1195 769	-----	1195 769	1195 769	-----	1195 769	-----	8-27-257
1195 770	1195 770	1195 770	-----	1195 770	1195 770	-----	1195 770	-----	-----
-----	-----	-----	-----	-----	-----	675 975	675 975	675 975	8-27-258
643 892	643 892	643 892	643 892	643 892	643 892	643 892	-----	643 892	-----
859 903	859 903	859 903	859 903	859 903	859 903	859 903	859 903	859 903	8-27-259
643 903	643 903	643 903	643 903	643 903	643 903	-----	-----	-----	8-27-265
636 899	636 899	636 899	636 899	636 899	636 899	-----	-----	-----	8-27-266
643 917	643 917	1271 768	643 917	1271 768	643 917	643 917	643 917	643 917	8-27-277
1067 297	1067 297	1308 182	1067 297	1067 297	852 026	852 026	852 026	852 026	8-27-279
859 907	859 907	921 275	859 907	859 907	859 904	859 904	859 904	959 316	8-27-292
643 899	643 899	643 899	643 899	643 899	643 899	643 899	643 899	643 899	8-27-296
643 893	643 893	643 893	643 893	643 893	643 893	643 893	643 893	643 893	8-27-298
-----	868 095	1343 587	868 095	1343 587	868 095	868 095	868 095	868 095	8-27-300
-----	-----	-----	-----	-----	-----	-----	-----	-----	8-27-309
-----	-----	-----	-----	-----	-----	-----	-----	-----	8-27-310
-----	-----	-----	-----	-----	-----	-----	-----	-----	8-27-311
-----	-----	-----	-----	-----	-----	-----	-----	-----	8-27-312
-----	-----	-----	-----	-----	-----	-----	-----	-----	8-27-313
-----	-----	-----	-----	-----	-----	-----	-----	-----	8-27-314
-----	-----	-----	-----	-----	-----	-----	-----	-----	8-27-315
-----	-----	-----	-----	-----	-----	-----	-----	-----	8-27-319
-----	-----	-----	-----	-----	-----	-----	-----	-----	8-27-320
-----	-----	-----	-----	-----	677 152	677 152	677 152	677 152	8-27-338
-----	-----	-----	-----	-----	636 899	636 899	636 899	636 899	8-27-339
-----	-----	-----	-----	-----	670 473	670 473	670 473	670 473	8-27-350
-----	-----	-----	-----	-----	112 032	112 032	112 032	112 032	-----
-----	-----	-----	-----	-----	1111 713	1111 713	1111 713	1111 713	8-27-353
-----	-----	-----	-----	-----	112 032	112 032	112 032	112 032	-----

★ Indicates use as required.

Prices and specifications subject to change without notice.

☐ Indicates parts not listed in any previous parts books.

Series No. (1 indicates B-1-Series) (2 indicates B-2 Series) (3 indicates B-3 Series) (4 indicates B-4 Series)

Where no Series No. is shown part is for B-1, B-2, B-3 and B-4 Series.

CODE	PART NAME AND DESCRIPTION	SERIES NO.	MODEL CODES													PART NO.			
			B	C	D	F	G	H & HH	FM	GM	HM & HHM	J	JM	K	KM		R	T	V
GENERATOR ASSEMBLY																			
8-28-3	GENERATOR (6 volt, 35 amperes) (B-1-B and B-1-C up to engine No. T142-111858. B-1-D up to engine No. T146-36401)	1	1	1	1	-	-	-	-	-	-	-	-	-	-	-	-	-	853 770
	(6 volt, 45 amperes) (B-1-B and B-1-C after engine No. T142-111858. B-1-D after engine No. T146-36401)	1	1	1	1	-	-	-	-	-	-	-	-	-	-	-	-	-	1257 392
	(6 volt, 35 amperes)	1	-	-	-	1	1	1	1	1	1	1	1	1	1	-	-	-	853 770
	(6 volt, 35 amperes) (B-2-J and B-2-K up to engine No. T180-2696) (Domestic)	2	-	-	-	-	-	-	-	-	1	-	1	-	-	-	-	-	853 770
	(6 volt, 45 amperes) (B-2-J and B-2-K after engine No. T180-2696 (Domestic and all Export)	2	-	-	-	-	-	-	-	-	1	-	1	-	-	-	-	-	1257 392
	(6 volt, 45 amperes)	2,3,4	1	1	1	1	1	1	-	1	1	-	1	-	1	-	-	-	1257 392
	(6 volt, 35 amperes)	1	-	-	-	-	-	-	-	-	-	-	-	-	1	1	1	-	595 316
	(6 volt, 45 amperes)	2,3,4	-	-	-	-	-	-	-	-	-	-	-	-	1	1	1	1	1263 971
	(6 volt, 32 amperes)	1	1	1	1	1	1	1	1	1	1	1	1	1	-	-	-	-	1194 650
	(6 volt, 32 amperes) (for low speed cut-in) (B-2-B up to serial No. 82211958. B-2-C up to serial No. 83360668. B-2-D up to serial No. 81295423.)	2	1	1	1	-	-	-	-	-	-	-	-	-	-	-	-	-	1194 650
	(6 volt, 35 amperes) (for low speed cut-in) (B-2-B after serial No. 82211985. B-2-C after serial No. 83360668. B-2-D after serial No. 81295423.)	2	1	1	1	-	-	-	-	-	-	-	-	-	-	-	-	-	1264 054
	(6 volt, 32 amperes) (for low speed cut-in) (B-2-F up to serial No. 80390440. B-2-G up to serial No. 80079058. B-2-H and B-2-HH up to serial No. 82577956. B-2-GM up to serial No. 83701612. B-2-HM and B-2-HHM up to serial No. 81741575. B-2-J and B-2-K up to serial No. 82814641. B-2-JM and B-2-KM up to serial No. 82951243.)	2	-	-	-	1	1	1	-	1	1	1	1	1	1	-	-	-	1194 650
	(6 volt, 35 amperes) (for low speed cut-in) (B-2-F after serial No. 80390440. B-2-G after serial No. 80079058. B-2-H and B-2-MH after serial No. 82577956. B-2-GM after serial No. 83701612. B-2-HM and B-2-HHM after serial No. 81741575. B-2-JM and B-2-KM after serial No. 82814641. B-2-JM and B-2-KM after serial No. 82951243.)	2	-	-	-	1	1	1	-	1	1	1	1	1	1	-	-	-	1264 054

★Indicates use as required.

□Indicates parts not listed in any previous parts books.

Series No. (1 indicates B-1 Series) (2 indicates B-2 Series) (3 indicates B-3 Series) (4 indicates B-4 Series)

Where no Series No. is shown part is for B-1, B-2, B-3 and B-4 Series.

Prices and specifications subject to change without notice.

CODE	PART NAME AND DESCRIPTION	SERIES NO.	MODEL CODES																PART NO.
			B	C	D	F	G	H & HH	FM	GM	HM & HHM	J	JM	K	KM	R	T	V	
GENERATOR ASSEMBLY - Cont'd																			
8-28-3	GENERATOR																		
	(6 volt, 35 amperes) (for low speed cut-in)	3,4	1	1	1	1	1	1	-	1	1	1	1	1	1	-	-	-	-
	(6 volt, 50 amperes) (for normal cut-in)	-	1	1	1	1	1	1	1	1	1	1	1	1	1	-	-	-	-
	(6 volt, 50 amperes) (w/air compressor, for normal cut-in)	-	-	-	-	-	-	-	-	-	-	-	-	-	-	1	1	1	1
	(6 volt, 55 amperes) (for early cut-in)	-	1	1	1	1	1	1	1	1	1	1	1	1	1	-	-	-	-
	(6 volt, 45 amperes) (w/air compressor)	-	-	-	-	-	-	-	-	-	-	-	-	-	-	1	1	1	1
	(6 volt, 50 amperes) (for normal cut-in)	-	-	-	-	-	-	-	-	-	-	-	-	-	-	1	1	1	1
	(6 volt, 55 amperes) (w/air compressor, for early cut-in)	2,3,4	-	-	-	-	-	-	-	-	-	-	-	-	-	1	1	1	1
	(6 volt, 55 amperes) (for early cut-in)	-	-	-	-	-	-	-	-	-	-	-	-	-	-	1	1	1	1
	(6 volt, 40 amperes) (for low speed cut-in)	1	-	-	-	1	1	1	1	1	1	1	1	1	1	-	-	-	-
	(6 volt, 40 amperes) (high charging rate at low engine speed)	1	-	-	-	-	-	-	-	-	-	-	-	-	-	1	1	1	-
	Bolt, 5/16"-24 x 1 1/4" (mounting)	-	2	2	2	2	2	2	2	2	2	2	2	2	2	2	2	2	2
	Screw, No. 10-32 x 3/8" (ground)	-	1	1	1	1	1	1	1	1	1	1	1	1	1	1	1	1	1
	Nut	-	2	2	2	2	2	2	2	2	2	2	2	2	2	2	2	2	2
	Washer, lock	-	4	4	4	4	4	4	4	4	4	4	4	4	4	4	4	4	4
	Washer, lock	-	1	1	1	1	1	1	1	1	1	1	1	1	1	1	1	1	1
8-28-8	OILER (use with 583 178 generator) (screw-in sleeve)	1	-	-	-	-	-	-	-	-	-	-	-	-	-	2	2	2	-
8-28-15	STRAP, Adjusting (use with 1257 392 generator)	-	1	1	1	-	-	-	-	-	-	-	-	-	-	-	-	-	-
	(use with 853 770 generator)	-	1	1	1	1	1	1	1	1	1	1	1	1	1	-	-	-	-
	(use with 1194 650 generator)	-	1	1	1	1	1	1	1	1	1	1	1	1	1	-	-	-	-
	(use with 1136 934, 1264 054 and 1136 931 generators)	-	1	1	1	-	-	-	-	-	-	-	-	-	-	-	-	-	-
	(use with 1257 392 generator)	-	-	-	-	1	1	1	1	1	1	1	1	1	-	-	-	-	-
	(use with 958 183 generator)	-	-	-	-	1	1	1	1	1	1	1	1	1	-	-	-	-	-
	(use with 1136 931 and 1136 934 generators)	-	-	-	-	1	1	1	1	1	1	1	1	1	-	-	-	-	-
	(use with 1262 334 and 1263 971 generators)	-	-	-	-	-	-	-	-	-	-	-	-	-	-	1	1	1	1
	(use with 1136 931, 1136 934, 1263 554 and 1257 392 generators)	2,3,4	-	-	-	-	-	-	-	-	-	-	-	-	-	1	1	1	1
	(use with 595 316 generator)	-	-	-	-	-	-	-	-	-	-	-	-	-	-	1	1	1	-
	(use with 583 178 generator)	-	-	-	-	-	-	-	-	-	-	-	-	-	-	1	1	1	-
	(use with 853 770 generator)	-	-	-	-	-	-	-	-	-	-	-	-	-	-	1	1	1	-
	(use with 1263 554 generator) (w/o air compressor)	1	-	-	-	-	-	-	-	-	-	-	-	-	-	1	1	1	-
	(use with 1263 554 generator) (w/air compressor)	1	-	-	-	-	-	-	-	-	-	-	-	-	-	1	1	1	-
	Bolt, 5/16"-18 x 1"	-	1	1	1	1	1	1	1	1	1	1	1	1	1	1	1	1	1
	Bolt, 3/8"-16 x 1"	-	-	-	-	1	1	1	1	1	1	1	1	1	-	-	-	-	-
	Bolt, 1/2"-13 x 4" (w/595 316 generator)	-	-	-	-	-	-	-	-	-	-	-	-	-	-	1	1	1	-

★Indicates use as required.

Prices and specifications subject to change without notice.

☐Indicates parts not listed in any previous parts books.

Series No. (1 indicates B-1 Series) (2 indicates B-2 Series) (3 indicates B-3 Series) (4 indicates B-4 Series).

Where no Series No. is shown part is for B-1, B-2, B-3 and B-4 Series.

CODE	PART NAME AND DESCRIPTION	SERIES NO.	MODEL CODES													PART NO.			
			B	C	D	F	G	H & HH	FM	GM	HM & HHM	J	JM	K	KM		R	T	V
GENERATOR ASSEMBLY - Cont'd																			
8-28-15	STRAP, Adjusting																		
	Bolt, 1/2"-20 x 1 1/2"																		
	(w/583 178 generator)																		
	Nut																		
	Washer, lock		1	1	1	1	1	1	1	1	1	1	1	1	1	1	1	1	1
	Washer, lock					1		1	1		1	1	1	1					
	Washer, lock														1	1	1		
	Washer, plain																		
8-28-19	SCREW and WASHER, Strap		★	★	★	★	★	★	★	★	★	★	★	★	★	★	★	★	★
	Adjusting	3,4	1	1	1	1	1	1	1	1	1	1	1	1	1	1	1	1	1
8-28-20	WASHER, Adjusting Strap Screw																		
	Plain		1	1	1	1	1	1	1	1	1	1	1	1	1	1	1	1	1
8-28-31	BRACKET, Adjuster Strap																		
	(use with air compressor)														1	1	1	1	
	Bolt, 7/16"-20 x 1 3/4"														1	1	1	1	
	Nut														1	1	1	1	
	Washer, lock														1	1	1	1	
	Washer, plain														1	1	1	1	
8-28-36	BRACKET (use with 1257 392 and 853 770 generators)		1	1	1	1	1	1	1	1	1	1	1	1					
	(use with 1136 934, 958 183, 1194 650 and 1264 054 generator)		1	1	1	1	1	1	1	1	1	1	1	1					
	(use with 1136 931 generator)		1	1	1	1	1	1	1	1	1	1	1	1					
	(use with 595 316, 853 770, 1263 971 and 1257 392 generator)														1	1	1	1	
	(use with 1136 934 and 1262 334 generator)														1	1	1	1	
	(use with 1136 931 and 1263 554 generators)														1	1	1	1	
	(use with 583 178 generator)														1	1	1		
	Bolt, 7/16"-14 x 1"		2	2	2	2	2	2	2	2	2	2	2	2	2	2	2	2	2
	Washer, lock		2	2	2	2	2	2	2	2	2	2	2	2	2	2	2	2	2
8-28-74	REGULATOR																		
	(use with 1257 392 and 1263 971 generators)	1,2	1	1	1	1	1	1	1	1	1	1	1	1	1	1	1	1	1
	(use with 1257 392 and 1263 971 generators)	3,4	1	1	1	1	1	1	1	1	1	1	1	1	1	1	1	1	1
	(use with 853 770 and 595 316 generator)		1	1	1	1	1	1	1	1	1	1	1	1	1	1	1	1	1
	(use with 1136 931 and 1263 554 generator)		1	1	1	1	1	1	1	1	1	1	1	1	1	1	1	1	1
	(use with 1136 934 generator)		1	1	1	1	1	1	1	1	1	1	1	1	1	1	1	1	1
	(use with 1194 650 generator)		1	1	1	1	1	1	1	1	1	1	1	1					
	(use with 1264 054 generator)		1	1	1	1	1	1	1	1	1	1	1	1					
	(use with 958 183 generator)					1		1		1	1	1	1						
	(use with 583 178 generator)														1	1	1		
	(use with 1262 334 generator)														1	1	1	1	
	Screw, 1/4"-20 x 5/8" (mounting)		3	3	3	3	3	3	3	3	3	3	3	3	3	3	3	3	3
	screw, No. 10-32 x 3/8" (terminal)		3	3	3	3	3	3	3	3	3	3	3	3	3	3	3	3	3
	Screw, 5/16"-18 x 1 1/4 (mounting)														4	4	4		
	Nut														4	4	4		
	Washer, lock														4	4	4		
8-28-83	RESISTOR, Regulator (38 ohms)		1	1	1	1	1	1	1	1	1	1	1	1	1	1	1	1	1

★ Indicates use as required.

□ Indicates parts not listed in any previous parts books.

Series No. (1 indicates B-1 Series) (2 indicates B-2 Series) (3 indicates B-3 Series) (4 indicates B-4 Series)

Where no Series No. is shown part is for B-1, B-2, B-3 and B-4 Series.

December 31, 1952

Page 8-24

Prices and specifications subject to change without notice.

Printed in U.S.A.

CODE	PART NAME AND DESCRIPTION	SERIES NO.	MODEL CODES													PART NO.			
			B	C	D	F	G	H & HH	FM	GM	HM & HHM	J	JM	K	KM		R	T	V
GENERATOR ASSEMBLY - Cont'd																			
8-28-83	RESISTOR, Regulator (7 ohms)	-	1	1	1	1	1	1	1	1	1	1	1	1	1	1	1	1	685 817
8-28-88	CLAMP, Regulator Terminal Screw	-	3	3	3	3	3	3	3	3	3	3	3	3	3	3	3	3	1092 826
8-28-297	PULLEY (use with 853 770 generator)	-	1	1	1	-	-	-	-	-	-	-	-	-	-	-	-	-	678 495
	(use with 1257 392 generator) (40 amperes)	-	1	1	1	-	-	-	-	-	-	-	-	-	-	-	-	-	1297 974
	(use with 1257 392 generator) (45 amperes)	-	1	1	1	-	-	-	-	-	-	-	-	-	-	-	-	-	1345 973
	(use with 1264 054 generator)	-	1	1	1	-	-	-	-	-	-	-	-	-	-	-	-	-	1136 935
	(use with 1194 650 generator)	-	1	1	1	-	-	-	-	-	-	-	-	-	-	-	-	-	1194 651
	(use with 1136 934 generator)	-	1	1	1	-	-	-	-	-	-	-	-	-	-	-	-	-	1263 560
	(use with 1136 931 generator)	-	1	1	1	-	-	-	-	-	-	-	-	-	-	-	-	-	1320 116
	(use with 1257 392 generator)	-	-	-	-	1	1	1	1	1	1	1	1	1	-	-	-	-	1264 943
	(use with 1136 934, 1194 650, 1264 054 and 958 173 generator).	-	-	-	-	1	1	1	1	1	1	1	1	1	-	-	-	-	1194 599
	(use with 1136 931 generator)	-	-	-	-	1	1	1	1	1	1	1	1	1	-	-	-	-	1263 488
	(use with 853 770 generator)	-	-	-	-	1	1	1	1	1	1	1	1	1	-	-	-	-	585 854
	(use with 1263 971 generator)	-	-	-	-	-	-	-	-	-	-	-	-	-	1	1	1	1	1264 027
	(use with 1262 334 generator)	-	-	-	-	-	-	-	-	-	-	-	-	-	1	1	1	1	1262 993
	(use with 1263 554 generator)	-	-	-	-	-	-	-	-	-	-	-	-	-	1	1	1	1	1263 490
	(use with 1136 931 generator)	-	-	-	-	-	-	-	-	-	-	-	-	-	1	1	1	1	1264 952
	(use with 1257 392 generator)	-	-	-	-	-	-	-	-	-	-	-	-	-	1	1	1	1	1264 966
	(use with 1136 934 generator)	-	-	-	-	-	-	-	-	-	-	-	-	-	1	1	1	1	1264 986
	(use with 853 770 generator)	-	-	-	-	-	-	-	-	-	-	-	-	-	1	1	1	-	1189 652
	(use with 595 316 generator)	-	-	-	-	-	-	-	-	-	-	-	-	-	1	1	1	-	595 317
	(use with 583 178 generator, low engine speed)	-	-	-	-	-	-	-	-	-	-	-	-	-	1	1	1	-	584 166
	(use with 583 178 generator, high engine speed)	-	-	-	-	-	-	-	-	-	-	-	-	-	1	1	1	-	584 167
8-28-300	WASHER, Pulley Nut Lock	-	1	1	1	1	1	1	1	1	1	1	1	1	1	1	1	1	625 948

GENERATORS 1194 650 1257 392 853 770 1136 934 1136 931 1263 971

For details of generators 583 178, 958 183, 1264 054, 595 316, 1262 334 and 1263 554 see pages 8-27, 8-28, 8-29 and 8-30.

Note: All quantities are one (1) unless otherwise indicated in parenthesis.

GENERATOR COMPONENT PARTS

8-29-1	ARMATURE	860 922	1266 499	859 900	1253 360	1253 337	1266 526
	Key, Woodruff.	106 750	124 545	124 545	124 545	124 545	124 545
8-29-2	NUT, Armature Shaft	40 654	40 654	40 654	40 654	40 654	40 654
8-29-6	SNAP RING, Armature	----	648 392	648 392	648 392	----	----
8-29-12	SPACER, Armature Shaft	1089 573	----	----	----	1253 336	1253 336
8-29-17	BRUSH SET	677 175	1253 367	1253 367	1253 367	1253 341	1253 367
8-29-18	BRUSH (2)	----	----	----	----	1253 334	----
	Screw, No. 8-32 x 1/4" (2)	----	----	----	----	122 159	----
	Washer, lock (2)	----	----	----	----	120 217	----

★Indicates use as required.

☐Indicates parts not listed in any previous parts books.

Series No. (1 indicates B-1 Series) (2 indicates B-2 Series) (3 indicates B-3 Series) (4 indicates B-4 Series)

Where no Series No. is shown part is for B-1, B-2, B-3 and B-4 Series.

Prices and specifications subject to change without notice.

CODE	GENERATORS - Cont'd	1194 650	1257 392	853 770	1136 934	1136 931	1263 971
GENERATOR COMPONENT PARTS - Cont'd							
8-29-20	SPRING, Brush (2)	674 935	671 490	671 490	671 490	960 173	671 490
8-29-21	ARM, Brush (2)	674 936	673 014	673 014	673 014	674 936	673 014
8-29-100	HEAD, Commutator End, Assembly	1262 932	1384 081	----	1253 353	1339 617	1384 081
	HEAD, Commutator End, Partial, Assembly	----	1266 498	860 491	1253 358	----	1266 498
8-29-104	WICK, Commutator End Felt	----	1266 497	636 796	1253 357	----	1266 497
8-29-105	COVER, Commutator End Felt Washer	----	----	636 800	----	----	1266 521
8-29-106	WASHER, Commutator End Felt Retaining	674 928	----	674 928	----	----	----
8-29-111	COVER, Commutator End	674 932	1266 495	695 626	1253 356	----	1266 495
	Screw, No. 8-32 x 5/16" (3)	----	----	131 958	131 958	----	----
	Screw, No. 10-32 x 3/8" (3)	132 105	132 105	----	----	----	132 105
	Screw, No. 10-32 x 1" (3)	----	----	----	----	132 133	----
	Washer, lock (3)	----	----	121 841	121 841	----	----
	Washer, lock (3)	120 217	120 217	----	----	120 217	120 217
8-29-112	GASKET, Commutator End Cover	674 931	----	695 627	1253 355	960 170	----
8-29-113	BEARING, Commutator End	602 454	1253 359	636 804	1253 359	1202 829	1253 359
8-29-122	SCREW, Drive End Bearing Retainer (3)	1269 238	1269 238	1269 238	1269 238	1269 238	1269 238
	SCREW, Commutator End Bearing Retainer (★)	674 929	1269 238	----	----	674 929	----
	Washer, lock	131 098	----	----	----	131 098	----
	Washer, lock (drive end) (3)	120 217	120 217	120 217	120 217	120 217	120 217
8-29-127	WASHER, Commutator End Bearing Retainer	674 927	----	----	----	674 927	----
8-29-146	HEAD, Drive End, Assembly	594 372	1266 500	860 492	1253 361	1253 338	1266 519
8-29-147	HEAD, Drive End	594 373	1266 501	----	1253 361	1253 339	1266 525
	Oiler	113 702	113 702	113 702	113 702	113 702	113 702
8-29-150	WASHER, Drive End Felt (2)	674 939	636 815	636 815	636 815	659 504	1266 520
	WASHER, Commutator End Felt	674 930	----	----	----	----	----
8-29-151	RETAINER, Drive End Felt Washer	----	636 810	636 810	636 810	1253 340	----
	RETAINER, Drive End Felt Washer Outer	674 942	1253 365	----	1253 365	----	----
	RETAINER, Drive End Felt Washer Inner	674 941	1253 363	----	1253 363	----	----
8-29-154	BEARING, Drive End Ball	602 454	602 454	602 454	602 454	965 325	965 325
8-29-155	RETAINER, Drive End Bearing	648 395	1253 364	636 813	1253 364	655 999	1266 524
8-29-157	GASKET, Drive End Bearing Retainer	----	1253 362	----	1253 362	----	----
8-29-165	BAND, Cover	674 944	1266 502	673 031	674 944	1136 568	1266 502
	Screw, No. 10-32 x 1 1/2"	132 930	132 930	132 930	132 930	132 930	132 930
	Nut	120 614	120 614	120 614	120 614	120 614	120 614
8-29-172	COIL, Field, Assembly	860 919	----	858 269	----	----	----
8-29-173	COIL, Field, Right	1189 547	1266 493	858 271	1253 352	1253 331	1266 493
8-29-174	COIL, Field, Left	916 592	1266 527	858 270	1253 351	1253 329	1266 527
8-29-186	INSULATION, Field Connection	1069 981	----	----	1069 981	----	----
8-29-189	LEAD, Field Coil	1262 931	1253 350	1262 931	1253 350	1253 330	1253 350

★ Indicates use as required.

Prices and specifications subject to change without notice.

☐ Indicates parts not listed in any previous parts books.

Series No. (1 indicates B-1 Series) (2 indicates B-2 Series) (3 indicates B-3 Series) (4 indicates B-4 Series)

Where no Series No. is shown part is for B-1, B-2, B-3 and B-4 Series.

Printed in U.S.A.

CODE	GENERATORS - Cont'd	1194 650	1257 392	853 770	1136 934	1136 931	1263 971
GENERATOR COMPONENT PARTS - Cont'd							
8-29-190	TERMINAL, Lead	1383 661	1383 661	1383 661	1383 661	----	1383 661
8-29-208	BOLT, Thru (2)	1253 343	673 009	671 487	1253 343	1253 327	673 009
	Washer, lock (2)	120 214	131 098	131 098	120 214	120 382	131 098
8-29-306	SCREW, Pole Shoe (2).	674 919	859 901	859 901	674 919	674 919	859 901
8-29-312	STUD, Armature Terminal	----	1253 349	859 897	1253 349	----	1253 349
	Nut (2)	120 367	120 367	120 367	120 367	120 367	120 367
	Washer, lock (2).	120 380	120 380	120 380	120 380	120 380	120 380
	Washer, plain	120 387	120 387	120 387	120 387	120 387	120 387
8-29-313	STUD, Field Terminal.	953 732	1253 348	677 153	1253 348	953 732	1253 348
	Nut (2)	120 614	120 614	120 614	120 614	120 614	120 614
	Washer, lock (2)	120 217	120 217	120 217	120 217	120 217	120 217
	Washer, plain.	120 391	120 391	120 391	120 391	120 391	120 391
8-29-314	NUT, Armature Terminal (2) (8-32-8)	43 761	43 761	43 761	43 761	43 761	43 761
8-29-319	WASHER, Field Terminal.	----	1253 345	----	1253 345	----	1253 345
8-29-320	INSULATION, Armature Terminal Inner	688 015	----	----	----	----	----
	INSULATION, Field Terminal Inner .	688 016	----	----	----	----	----
	INSULATION, Terminal Stud Inner .	----	----	859 899	----	1253 332	----
8-29-323	BUSHING, Terminal Stud Insulating (2)	----	1253 346	----	1253 346	----	1253 346
	BUSHING, Armature Terminal Insulating	683 358	----	683 358	----	----	----
8-29-325	BUSHING, Field Terminal Insulating	683 357	----	683 357	----	----	----
8-29-327	WASHER, Armature Terminal Insulating	671 477	1138 481	671 477	1138 481	671 477	1138 481
	WASHER, Field Terminal Insulating	671 481	1253 344	671 481	1253 344	671 481	1253 344
GENERATORS		583 178	958 183	595 316	1262 334	1263 554	1264 054

For details of generators 1194 650,
1257 392, 853 770, 1136 934,
1136 931 and 1263 971 see pages
8-25, 8-26, 8-27.

Note: All quantities are one (1)
unless otherwise indicated in
parenthesis.

GENERATOR COMPONENT PARTS

8-29-1	ARMATURE	924 110	953 222	596 888	1268 226	1253 337	1268 129
	Key, Woodruff	106 750	106 750	124 545	124 545	124 545	106 750
	Key, Woodruff	103 906	----	----	----	----	----
8-29-2	NUT, Armature	40 654	40 654	40 654	40 654	40 654	40 654
8-29-6	SNAP RING, Armature	916 580	----	----	----	----	648 392
8-29-12	SPACER, Armature Shaft (2)	599 164	1089 573	----	1271 164	1253 336	----
8-29-17	BRUSH SET	962 642	677 175	1253 367	1253 367	1253 341	1253 367

★Indicates use as required.

☐Indicates parts not listed in any previous parts books.

Series No. (1 indicates B-1 Series) (2 indicates B-2 Series) (3 indicates B-3 Series) (4 indicates B-4 Series)

Where no Series No. is shown part is for B-1, B-2, B-3 and B-4 Series.

Prices and specifications subject to change without notice.

CODE	GENERATORS - Cont'd	583 178	958 183	595 316	1262 334	1263 554	1264 054
GENERATOR COMPONENT PARTS - Cont'd							
8-29-18	BRUSH (2)	----	----	----	----	1253 334	----
	Screw, No. 8-32 x 1/4" (2)	----	122 159	122 159	122 159	122 159	122 159
	Washer, lock (2)	----	121 841	138 530	120 217	120 217	121 841
8-29-20	SPRING, Brush (★)	----	674 935	671 490	671 490	960 173	671 490
8-29-21	ARM, Brush (★)	924 108	674 936	673 014	673 014	674 936	673 014
8-29-42	HOLDER, Brush (4)	924 105	----	----	----	----	----
8-29-44	SCREW, Brush Holder Plate (2)	599 160	----	----	----	----	----
8-29-83	STUD, Brush Holder (4)	599 173	----	----	----	----	----
8-29-100	PLATE, Commutator End, Assembly	1262 924	1262 932	----	1253 353	----	1253 353
	HEAD, Commutator End, Partial, Assembly	----	----	860 491	1253 358	1339 617	1253 358
8-29-101	WASHER, Commutator End	599 187	----	----	----	----	----
8-29-102	WASHER, Commutator End Spring	599 161	----	----	----	----	----
8-29-104	WICK, Commutator End Felt	----	----	636 796	1253 357	----	1253 357
8-29-105	COVER, Commutator End Felt Wick	----	----	636 800	----	----	----
8-29-106	GUARD, Commutator End Oil	----	674 928	695 928	----	----	----
8-29-111	COVER, Commutator End Cap	----	674 932	695 626	1253 356	----	1253 356
	Screw, No. 10-32 x 3/8" (★)	----	132 105	----	----	----	----
	Screw, No. 8-32 x 5/16" (★)	----	----	131 958	131 958	----	131 958
	Screw, No. 10-32 x 1" (★)	----	----	----	----	132 133	----
	Washer, lock (★)	----	120 217	138 530	121 841	120 217	121 841
8-29-112	GASKET, Commutator End Cap Cover	924 102	674 931	695 627	1253 355	960 170	1253 355
8-29-113	BEARING, Commutator End Ball	599 210	602 454	636 804	1253 359	1202 829	1253 359
8-29-122	SCREW, Commutator End Bearing Retainer	674 929	674 929	----	----	674 929	----
	SCREW, Drive End Bearing Retainer	----	----	----	1269 238	1269 238	----
	Washer, lock	----	----	----	----	120 217	----
	Washer, lock	----	131 098	----	----	131 098	----
8-29-127	WASHER, Commutator End Bearing Retaining	916 571	674 927	----	----	674 927	----
8-29-146	HEAD, Drive End, Assembly	916 583	594 372	595 425	1269 227	1253 338	1253 361
8-29-147	HEAD, Drive End	----	594 373	----	1269 228	1253 339	----
	Oiler	113 702	113 702	113 702	113 702	113 702	----
8-29-148	GASKET, Drive End	599 165	----	----	----	----	----
8-29-150	WASHER, Drive End Bearing Felt (★) (8-29-101)	599 171	----	659 504	1266 520	659 504	636 815
	WASHER, Drive End Bearing Felt (inner)	----	674 939	----	----	----	----
	WASHER, Drive End Bearing Felt (outer)	----	674 943	----	----	----	----
	WASHER, Commutator End Felt	599 162	674 930	----	----	960 171	----
8-29-151	RETAINER, Commutator End Felt Washer	599 163	----	----	----	----	----
	RETAINER, Drive End Felt Washer	599 170	----	659 502	----	1253 340	636 810
	RETAINER, Drive End Felt Washer Outer (8-29-110)	----	674 942	----	1266 521	----	1253 365

★Indicates use as required.

Prices and specifications subject to change without notice.

☐Indicates parts not listed in any previous parts books.

Series No. (1 indicates B-1 Series) (2 indicates B-2 Series) (3 indicates B-3 Series) (4 indicates B-4 Series)

Where no Series No. is shown part is for B-1, B-2, B-3 and B-4 Series.

Printed in U.S.A.

CODE	GENERATORS - Cont'd	583 178	958 183	595 316	1262 334	1263 554	1264 054
GENERATOR COMPONENT PARTS - Cont'd							
8-29-151	RETAINER, Drive End Felt Washer Inner (8-29-110)	----	674 941	----	1266 523	659 502	1253 363
8-29-154	BEARING, Drive End Ball	620 525	602 454	965 325	620 528	965 325	602 454
8-29-155	RETAINER, Drive End Bearing (★)	599 169	648 395	655 999	1266 524	655 999	1253 364
	RETAINER, Drive End Bearing, Assembly	599 186	----	----	----	----	----
8-29-157	GASKET, Drive End Bearing Retainer	----	----	----	1266 522	----	1253 362
8-29-160	FAN, Ventilating	916 582	----	----	----	----	----
8-29-165	BAND, Head	916 585	674 944	673 031	674 944	1136 568	674 944
	Screw, No. 10-32 x 1 1/2"	132 930	132 930	132 930	132 930	132 930	132 930
	Nut	120 614	120 614	120 614	120 614	120 614	120 614
8-29-172	COIL, Field, Complete, Assembly	----	860 919	858 269	----	----	----
8-29-173	COIL, Field, Right	----	1189 547	858 271	1253 352	1253 331	1253 352
	COIL, Field, Upper Right	924 090	----	----	----	----	----
	COIL, Field, Lower Right	924 092	----	----	----	----	----
8-29-174	COIL, Field, Left	----	916 592	858 270	1253 351	1253 329	1253 351
	COIL, Field, Upper Left	924 091	----	----	----	----	----
	COIL, Field, Lower Left	924 093	----	----	----	----	----
8-29-186	INSULATION, Field Connection	599 156	1069 981	----	----	960 160	----
8-29-189	LEAD, Coil	916 562	1262 931	1262 931	1253 350	1253 330	1253 350
8-29-190	TERMINAL, Field Coil	960 545	----	1383 661	1383 661	----	1383 661
8-29-196	TERMINAL, Field Coil Ground	599 154	----	----	----	----	----
8-29-208	BOLT, Thru (2)	----	916 586	671 487	1253 343	1253 327	1253 343
	Washer, lock (2)	----	120 214	120 380	120 214	120 382	120 214
8-29-305	POLE PIECE	599 175	----	----	----	----	----
8-29-306	SCREW, Pole Piece (★)	599 158	674 919	859 901	674 919	674 919	674 919
8-29-312	STUD, Armature Terminal	599 152	----	859 897	1253 349	----	1253 349
	Nut (2)	----	----	----	120 367	120 367	120 367
	Washer, lock (2)	----	120 380	120 380	120 380	120 380	120 380
	Washer, plain (2)	----	120 392	120 392	120 387	120 387	120 387
8-29-313	STUD, Field Terminal	599 151	953 732	677 153	1253 348	953 732	1253 348
	Nut (2)	----	120 614	120 614	120 614	120 614	120 614
	Washer, lock (2)	----	120 217	120 217	120 217	120 217	120 217
	Washer, plain (2)	----	120 391	120 391	120 391	120 391	----
8-29-314	NUT, Armature Terminal (8-32-8) (2)	----	43 761	43 761	43 761	43 761	----
8-29-316	INSULATION, Armature Terminal Post	599 172	----	671 477	----	----	----
8-29-319	WASHER, Field Terminal	----	----	----	1253 345	----	1253 345
8-29-320	INSULATION, Armature Terminal Post Inner	599 155	688 016	----	----	----	----
	INSULATION, Field Terminal Stud	----	688 015	859 899	----	----	----
8-29-323	BUSHING, Armature Terminal Insulating	599 177	683 358	683 358	1253 346	960 162	1253 346

★Indicates use as required.

□Indicates parts not listed in any previous parts books.

Series No. (1 indicates B-1 Series) (2 indicates B-2 Series) (3 indicates B-3 Series) (4 indicates B-4 Series)

Where no Series No. is shown part is for B-1, B-2, B-3 and B-4 Series.

Prices and specifications subject to change without notice.

CODE	GENERATORS - Cont'd	583 178	958 183	595 316	1262 334	1263 554	1264 054
GENERATOR COMPONENT PARTS - Cont'd							
8-29-325	BUSHING, Field Terminal Insulating	599 176	683 357	683 357	----	960 161	----
8-29-327	WASHER, Armature Terminal Post Insulating, Outer	599 189	916 587	----	1138 481	671 477	1138 481
	WASHER, Field Terminal Post Insulating, Outer	599 148	671 481	671 481	1253 344	671 481	1253 344

CODE	PART NAME AND DESCRIPTION	SERIES NO.	MODEL CODES																PART NO.
			B	C	D	F	G	H & HH	FM	GM	HM & HHM	J	JM	K	KM	R	T	V	
GROMMETS																			
8-30-5	GROMMET, Oil Gauge Tube	-	1	1	1	1	1	1	1	1	1	1	1	1	1	1	1	1	988 059
	Chassis Cable	-	1	1	1	1	1	1	1	1	1	1	1	1	1	1	1	1	1260 717
	Ignition Cable Support Bracket	-	-	-	-	-	-	-	-	-	-	-	-	-	-	1	1	1	117 974
8-30-53	GROMMET, Tail Lamp Cable (Panel)	-	2	-	-	-	-	-	-	-	-	-	-	-	-	-	-	-	1345 663
	Tail Lamp (Panel and Express)	-	1	1	-	-	-	-	-	-	-	-	-	-	-	-	-	-	120 879
HORN ASSEMBLY																			
8-32-2	HORN (single) (6 volt) (vibrator type) (high note)	-	1	1	1	1	1	1	-	-	-	1	-	1	-	1	1	1	1089 619
	(6 volt) (dual) (vibrator type) (low note)	-	1	1	1	1	1	1	-	-	-	1	-	1	-	1	1	1	866 103
	(6 volt) (dual) (vibrator type) (high note)	-	1	1	1	1	1	1	-	-	-	1	-	1	-	1	1	1	866 104
	(12 volt) (dual) (vibrator type) (low note)	-	1	1	1	1	1	1	-	-	-	1	-	1	-	1	1	1	866 105
	(12 volt) (dual) (vibrator type) (low note)	-	1	1	1	1	1	1	-	-	-	1	-	1	-	1	1	1	866 106
	(air note) (low note) (6 volt) (dual) (rt.)	-	1	1	1	1	1	1	-	-	-	1	-	1	-	1	1	1	1241 032
	(air note) (high note) (6 volt) (dual) (lt.)	-	1	1	1	1	1	1	-	-	-	1	-	1	-	1	1	1	1241 033
	(single) (6 volt) (high note) (with dual horn) (6 volt)	-	-	-	-	-	-	-	1	1	1	-	1	-	1	-	-	-	1089 621
	Bolt, 1/4" -28 x 1"	-	★	★	★	★	★	★	★	★	★	★	★	★	★	★	★	★	1188 465
	Screw, No. 8-32 x 3/8" (terminal)	-	2	2	2	2	2	2	-	-	-	2	-	2	-	2	2	2	123 461
	Nut (terminal)	-	★	★	★	★	★	★	★	★	★	★	★	★	★	★	★	★	121 832
	Nut	-	2	2	2	2	2	2	2	2	2	2	2	2	2	2	2	2	120 614
	Washer, lock	-	2	2	2	2	2	2	2	2	2	2	2	2	2	2	2	2	120 367
	Washer, lock (terminal)	-	★	★	★	★	★	★	★	★	★	★	★	★	★	★	★	★	120 380
8-32-3	PLATE, Mounting, w/Tapping	-	★	★	★	★	★	★	★	★	★	★	★	★	★	★	★	★	852 007
8-32-4	LAMINATION, Mounting	-	★	★	★	★	★	★	★	★	★	★	★	★	★	★	★	★	688 007
	Nut	-	★	★	★	★	★	★	★	★	★	★	★	★	★	★	★	★	120 367
	Washer, lock	-	★	★	★	★	★	★	★	★	★	★	★	★	★	★	★	★	120 380
8-32-15	BRACKET, Mounting (single horn)	-	1	1	1	1	1	1	1	1	1	1	1	1	1	1	1	1	1260 750
	(dual horns)	2, 3, 4	1	1	1	1	1	1	1	1	1	1	1	1	1	1	1	1	1195 739
	(dual horns) (long projector, dash mounting)	3, 4	2	2	2	2	2	2	2	2	2	2	2	2	2	2	2	2	1268 154
	Bolt, 1/4"-28 x 1"	-	4	4	4	4	4	4	4	4	4	4	4	4	4	4	4	4	1267 379
	Nut	-	4	4	4	4	4	4	4	4	4	4	4	4	4	4	4	4	123 461
	Washer, lock	-	4	4	4	4	4	4	4	4	4	4	4	4	4	4	4	4	120 375
8-32-22	SPACER, Bracket Lamination	-	★	★	★	★	★	★	★	★	★	★	★	★	★	★	★	★	1089 626
8-32-23	PLATE, Mounting Lamination	-	★	★	★	★	★	★	★	★	★	★	★	★	★	★	★	★	683 365
	Bolt or Screw, 1/4"-28 x 1"	-	2	2	2	2	2	2	2	2	2	2	2	2	2	2	2	2	123 461

★ Indicates use as required.

Prices and specifications subject to change without notice.

□ Indicates parts not listed in any previous parts books.

Series No. (1 indicates B-1 Series) (2 indicates B-2 Series) (3 indicates B-3 Series) (4 indicates B-4 Series)

Where no Series No. is shown part is for B-1, B-2, B-3 and B-4 Series.

Printed in U.S.A.

CODE	PART NAME AND DESCRIPTION	SERIES NO.	MODEL CODES																PART NO.		
			B	C	D	F	G	H & HH	FM	GM	HM & HHM	J	JM	K	KM	R	T	V		Y	
HORN ASSEMBLY - Cont'd																					
8-32-26	EXTENSION, Mounting Bracket (dual horn)	-	-	-	-	-	-	-	-	-	-	-	-	-	-	-	-	-	-	-	1089 644
	Bolt, 7/16"-14 x 1"	-	-	-	-	-	-	-	-	-	-	-	-	-	-	-	-	-	-	-	122 253
	Nut	-	-	-	-	-	-	-	-	-	-	-	-	-	-	-	-	-	-	-	124 573
8-32-29	SUPPORT, Mounting Bracket	3,4	1	1	1	1	1	1	1	1	1	1	1	1	1	1	1	1	1	1	1272 312
8-32-59	SCREW, Back and Bracket (use with single horn)	-	2	2	2	2	2	2	2	2	2	2	2	2	2	2	2	2	2	2	643 835
	BOLT, Back Mounting (use with single horn)	-	4	4	4	4	4	4	4	4	4	4	4	4	4	4	4	4	4	4	1120 551
	Nut	-	4	4	4	4	4	4	4	4	4	4	4	4	4	4	4	4	4	4	121 743
	Nut	-	2	2	2	2	2	2	2	2	2	2	2	2	2	2	2	2	2	2	120 367
	Washer, lock	-	4	4	4	4	4	4	4	4	4	4	4	4	4	4	4	4	4	4	121 744
	Washer, lock	-	2	2	2	2	2	2	2	2	2	2	2	2	2	2	2	2	2	2	131 098
8-32-61	SCREW, Adjusting (single horn)	-	1	1	1	1	1	1	1	1	1	1	1	1	1	1	1	1	1	1	643 970
8-32-101	STUD, Terminal (single horn)	-	2	2	2	2	2	2	2	2	2	2	2	2	2	2	2	2	2	2	643 969
	Washer, plain	-	2	2	2	2	2	2	2	2	2	2	2	2	2	2	2	2	2	2	120 385
8-32-104	NUT, Adjusting Screw Lock (single horn)	-	1	1	1	1	1	1	1	1	1	1	1	1	1	1	1	1	1	1	643 961
8-32-165	BUSHING, Terminal Stud Insulation (single horn)	-	2	2	2	2	2	2	2	2	2	2	2	2	2	2	2	2	2	2	643 958
8-32-182	DIAPHRAGM	-	1	1	1	1	1	1	1	1	1	1	1	1	1	1	1	1	1	1	643 956
	Screw, No. 10-32 x 9/16" adjusting	-	1	1	1	1	1	1	1	1	1	1	1	1	1	1	1	1	1	1	140 885
	Nut	-	1	1	1	1	1	1	1	1	1	1	1	1	1	1	1	1	1	1	120 614
8-32-183	GASKET, Diaphragm	-	1	1	1	1	1	1	1	1	1	1	1	1	1	1	1	1	1	1	863 141
8-32-213	PROJECTOR	-	1	1	1	1	1	1	-	-	-	1	-	1	-	1	1	1	1	1	643 953
HORN CONTROL																					
8-33-4	RING, Blowing	3,4	1	1	1	1	1	1	-	1	1	1	1	1	1	-	-	-	-	-	1272 411
	Screw, No. 6-32 x 1/2"	-	3	3	3	3	3	3	-	3	3	3	3	3	3	-	-	-	-	-	133 432
8-33-30	SPRING, Button Retaining Plate	1,2	1	1	1	-	-	-	-	-	-	-	-	-	-	-	-	-	-	-	657 954
	(with blowing ring)	1,2	1	1	1	1	1	1	-	1	1	1	1	1	1	-	-	-	-	-	657 954
8-33-41	BUTTON	3,4	1	1	1	1	1	1	1	1	1	1	1	1	1	-	-	-	-	-	1390 694
	(with blowing ring)	3,4	1	1	1	1	1	1	1	1	1	1	1	1	1	-	-	-	-	-	1272 412
		-	-	-	-	1	1	1	1	1	1	1	1	1	1	1	1	1	1	1	590 213
8-33-65	PLATE, Button Retainer (upper)	-	1	1	1	1	1	1	1	1	1	1	1	1	1	1	1	1	1	1	669 811
	(lower)	-	1	1	1	-	-	-	-	-	-	-	-	-	-	-	-	-	-	-	657 953
	(lower) (B-1-R standard for 229" W.B., B-1-R heavy duty for all except 229" W.B., B-2-R and B-3-R same as B-1-R)	-	-	-	-	1	1	1	1	1	1	1	1	1	1	-	-	-	-	-	1260 913
8-33-67	LOCKWIRE, Button Retainer Plate	-	1	1	1	1	1	1	1	1	1	1	1	1	1	1	1	1	1	1	657 955
8-33-79	SPRING, Button, w/BASE (use with blowing ring)	-	1	1	1	1	1	1	1	1	1	1	1	1	1	-	-	-	-	-	1390 747
		-	1	1	1	1	1	1	1	1	1	1	1	1	1	1	1	1	1	1	681 402
8-33-100	CABLE, Button	-	1	1	1	1	1	1	1	1	1	1	1	1	1	1	1	1	1	1	1260 827
8-33-102	INSULATOR, Button Cable	-	1	1	1	1	1	1	1	1	1	1	1	1	1	1	1	1	1	1	657 484
8-33-106	CONTACT, Cable	-	1	1	1	1	1	1	1	1	1	1	1	1	1	1	1	1	1	1	611 897
8-33-114	CABLE, Horn to Relay (specify 16" of 385 571 Cable, 2-200 393 Terminal, 1-200 052 Terminal, 2-1264 933 sleeve and 1-930 304, sleeve)	-	★	★	★	★	★	★	★	★	★	★	★	★	★	★	★	★	★	★	----
8-33-132	TERMINAL, Cable	-	1	1	1	1	1	1	1	1	1	1	1	1	1	1	1	1	1	1	665 151
8-33-164	RELAY (dual horns)	-	1	1	1	1	1	1	1	1	1	1	1	1	1	1	1	1	1	1	1113 099
	Nut (cable ground)	-	2	2	2	2	2	2	2	2	2	2	2	2	2	2	2	2	2	2	120 367

★ Indicates use as required.

Prices and specifications subject to change without notice.

⊠ Indicates parts not listed in any previous parts books.

Series No. (1 indicates B-1 Series) (2 indicates B-2 Series) (3 indicates B-3 Series) (4 indicates B-4 Series)

Where no Series No. is shown part is for B-1, B-2, B-3 and B-4 Series.

Printed in U.S.A.

CODE	PART NAME AND DESCRIPTION	SERIES NO.	MODEL CODES														PART NO.		
			B	C	D	F	G	H & HH	FM	GM	HM & HHM	J	JM	K	KM	R		T	V
HORN CONTROL - Cont'd																			
	Screw, No. 8-32 x 1/4" (terminal)	-	3	3	3	3	3	3	3	3	3	3	3	3	3	3	3	3	122 159
	Washer, lock (ground)	-	2	2	2	2	2	2	2	2	2	2	2	2	2	2	2	2	121 753
8-33-165	SCREW, Relay Mounting	-	2	2	2	2	2	2	2	2	2	2	2	2	2	2	2	2	929 054
8-33-185	WASHER, Relay Terminal Screw Lock	-	3	3	3	3	3	3	3	3	3	3	3	3	3	3	3	3	300 934
HEADLAMP ASSEMBLY																			
8-34-1	HEADLAMP (bullseye lens) (Domestic and right way shift-Export)	-	2	2	2	2	2	2	2	2	2	2	2	2	2	2	2	2	1302 433
	(left-way shift-Export)	-	2	2	2	2	2	2	2	2	2	2	2	2	2	2	2	2	1273 252
8-34-15	GASKET, Mounting	-	2	2	2	2	2	2	2	2	2	2	2	2	2	2	2	2	1310 488
8-34-33	SHELL	-	2	2	2	2	2	2	2	2	2	2	2	2	2	2	2	2	1154 200
8-34-40	DOOR	-	2	2	2	2	2	2	2	2	2	2	2	2	2	2	2	2	1239 411
	Screw, No. 8-32 x 3/4"	-	2	2	2	2	2	2	2	2	2	2	2	2	2	2	2	2	186 575
8-34-105	CLIP, Door Mounting	-	2	2	2	2	2	2	2	2	2	2	2	2	2	2	2	2	E1310 234
8-34-175	UNIT, Sealed Beam (bullseye lens) (Domestic and Right way shift - Export)	-	2	2	2	2	2	2	2	2	2	2	2	2	2	2	2	2	1297 667
	(left way shift - Export)	-	2	2	2	2	2	2	2	2	2	2	2	2	2	2	2	2	1302 599
8-34-176	SEAT, Bulb Mounting	-	2	2	2	2	2	2	2	2	2	2	2	2	2	2	2	2	946 940
8-34-177	SPRING, Bulb Mounting Seat	-	4	4	4	4	4	4	4	4	4	4	4	4	4	4	4	4	854 798
8-34-178	SCREW, Bulb Mounting Seat Adjusting	-	4	4	4	4	4	4	4	4	4	4	4	4	4	4	4	4	865 336
8-34-179	NUT, Bulb Mounting Seat Adjusting Screw	-	4	4	4	4	4	4	4	4	4	4	4	4	4	4	4	4	865 760
8-34-180	RING, Bulb Retaining	-	2	2	2	2	2	2	2	2	2	2	2	2	2	2	2	2	946 942
	Screw, No. 8-32 x 5/16"	-	6	6	6	6	6	6	6	6	6	6	6	6	6	6	6	6	224 549
8-34-220	WIRING, Headlamp and Parking Lamp (specify 45" of 211 318 Cable, 44" of 385 573 Cable, 42" of 385 571 Cable, 6-200 156 Terminal)	-	★	★	★	★	★	★	★	★	★	★	★	★	★	★	★	★	----
	CABLE, w/SOCKET	-	2	2	2	2	2	2	2	2	2	2	2	2	2	2	2	2	1340 257
	Screw, No. 10-32 x 3/8" (ground)	-	2	2	2	2	2	2	2	2	2	2	2	2	2	2	2	2	132 900
	Nut	-	2	2	2	2	2	2	2	2	2	2	2	2	2	2	2	2	120 614
	Washer, lock	-	2	2	2	2	2	2	2	2	2	2	2	2	2	2	2	2	138 479
8-34-238	SOCKET, Bulb	-	2	2	2	2	2	2	2	2	2	2	2	2	2	2	2	2	853 781
IGNITION COIL AND SWITCH																			
8-35-4	COIL	-	1	1	1	1	1	1	1	1	1	1	1	1	1	1	1	1	1300 667
	Nut (terminal)	-	2	2	2	2	2	2	2	2	2	2	2	2	2	2	2	2	120 614
	Nut (mounting)	-	2	2	2	2	2	2	2	2	2	2	2	2	2	2	2	2	120 367
	Washer, lock	-	2	2	2	2	2	2	2	2	2	2	2	2	2	2	2	2	138 479
	Washer, lock	-	2	2	2	2	2	2	2	2	2	2	2	2	2	2	2	2	121 753
8-35-41	TUBE, Cables, w/Coil BRACKET	-	1	1	1	-	-	-	-	-	-	-	-	-	-	-	-	-	1188 452
	BRACKET, Coil Mounting	-	-	-	-	1	1	1	1	1	1	1	1	-	-	-	-	-	1092 857
	Stud	-	2	2	2	2	2	2	2	2	2	2	2	-	-	-	-	-	1125 890
	Stud	-	2	2	2	2	2	2	2	2	2	2	2	-	-	-	-	-	103 173
	Nut	-	2	2	2	2	2	2	2	2	2	2	2	2	2	2	2	2	103 171
	Washer, lock	-	2	2	2	2	2	2	2	2	2	2	2	-	-	-	-	-	120 368
	Washer, lock	-	2	2	2	2	2	2	2	2	2	2	2	-	-	-	-	-	138 485
	Washer, lock	-	-	-	-	-	-	-	-	-	-	-	-	2	2	2	2	2	120 214
8-35-59	SWITCH, Instrument Lock, w/HOUSING	-	1	1	1	1	1	1	1	1	1	1	1	1	1	1	1	1	1193 348

★ Indicates use as required.

☐ Indicates parts not listed in any previous parts books.

Series No. (1 indicates B-1 Series) (2 indicates B-2 Series) (3 indicates B-3 Series) (4 indicates B-4 Series)

Where no Series No. is shown part is for B-1, B-2, B-3 and B-4 Series.

December 31, 1952

Prices and specifications subject to change without notice.

Printed in U.S.A.

CODE	PART NAME AND DESCRIPTION	SERIES NO.	MODEL CODES																PART NO.	
			B	C	D	F	G	H & HH	FM	GM	HM & HHM	J	JM	K	KM	R	T	V		Y
IGNITION COIL AND SWITCH - Cont'd																				
	Nut (terminal)	-	3	3	3	3	3	3	3	3	3	3	3	3	3	3	3	3	3	3
	Washer, lock.	-	3	3	3	3	3	3	3	3	3	3	3	3	3	3	3	3	3	3
8-35-61	NUT, Switch Mounting (aluminum).	-	1	1	1	1	1	1	1	1	1	1	1	1	1	1	1	1	1	
8-35-111	CYLINDER and KEY PACKAGE, Front Door and Ignition Lock (HY Series) (except Panel)	-	1	1	1	1	1	1	1	1	1	1	1	1	1	1	1	1	1	
	Front and Rear Door and Ignition Lock (HY Series) (Panel)	-	1	-	-	-	-	-	-	-	-	-	-	-	-	-	-	-	-	
8-35-115	CYLINDER and KEY PACKAGE Ignition Lock	-	1	1	1	1	1	1	1	1	1	1	1	1	1	1	1	1	1	
8-35-121	KEY, Ignition Lock and Front Door (HK or HY Series)	-	*	*	*	*	*	*	*	*	*	*	*	*	*	*	*	*	*	
8-35-122	KEY, Ignition lock and Front Door (HK or HY Series) (blank)	-	*	*	*	*	*	*	*	*	*	*	*	*	*	*	*	*	*	
IGNITION WIRING AND SPARK PLUGS																				
8-36-1	CABLE SET	-	1	1	1	1	1	1	1	1	1	1	1	1	1	1	1	1	1	
8-36-2	WEATHER PROOFING PACKAGE, Evr-Dry	-	1	1	1	1	1	1	1	1	1	1	1	1	1	1	1	1	1	
8-36-4	BRACKET, Cable	-	-	-	-	-	-	-	-	-	-	-	-	-	1	1	1	1	1	
	Stud	-	-	-	-	-	-	-	-	-	-	-	-	-	2	2	2	2	2	
	Nut	-	-	-	-	-	-	-	-	-	-	-	-	-	2	2	2	2	2	
	Washer, lock	-	-	-	-	-	-	-	-	-	-	-	-	-	2	2	2	2	2	
8-36-11	BRACKET, Cable Support	-	-	-	-	-	-	-	-	-	-	-	-	-	2	2	2	2	2	
8-36-19	COVER PACKAGE, Spark Plug	-	1	1	1	1	1	1	1	1	1	1	1	1	1	1	1	1	1	
8-36-27	CABLE, Coil Primary (specify 10" of 211 318 Cable, 1-200393 Terminal, 1-200156 Terminal and 1264 933 Sleeve)	-	*	*	*	*	*	*	*	*	*	*	*	*	*	*	*	*	*	
8-36-45	CABLE, Ignition (specify length of 1109 243 Cable as shown below, also specify 6-676872 Terminal, 6-1122042 Terminal and 6-150834 Nipple)	-	*	*	*	*	*	*	*	*	*	*	*	*	*	*	*	*	*	
	No. 1. Spark Plug Cable 24" lgh.	-	-	-	-	-	-	-	-	-	-	-	-	-	-	-	-	-	-	
	No. 2 - 21" lgh.	-	-	-	-	-	-	-	-	-	-	-	-	-	-	-	-	-	-	
	No. 3 - 17" lgh.	-	-	-	-	-	-	-	-	-	-	-	-	-	-	-	-	-	-	
	No. 4 - 18" lgh.	-	-	-	-	-	-	-	-	-	-	-	-	-	-	-	-	-	-	
	No. 5 - 22" lgh.	-	-	-	-	-	-	-	-	-	-	-	-	-	-	-	-	-	-	
	No. 6 - 23" lgh.	-	-	-	-	-	-	-	-	-	-	-	-	-	-	-	-	-	-	
	CABLE, Coil Secondary (specify 9" of 1109 243 Cable, 2-676872 Terminal, and 2-150834 Nipple)	-	*	*	*	*	*	*	*	*	*	*	*	*	*	*	*	*	*	
8-36-46	CABLE, Coil and Spark Plug (100 ft. roll)	-	*	*	*	*	*	*	*	*	*	*	*	*	*	*	*	*	*	
8-36-47	SLEEVE, Coil Secondary Cable	2,3,4	1	1	1	1	1	1	1	1	1	1	1	1	1	1	1	1	1	
8-36-48	WASHER, Coil Secondary Cable	2,3,4	1	1	1	1	1	1	1	1	1	1	1	1	1	1	1	1	1	
8-36-55	TERMINAL, Spark Plug and Secondary Cable (distributor end)	-	*	*	*	*	*	*	*	*	*	*	*	*	*	*	*	*	*	
8-36-114	SPARK PLUG and GASKET PACKAGE (AR-8A)	-	6	6	6	-	-	-	-	-	-	-	-	-	-	-	-	-	-	
	(AR-5)	-	-	-	-	6	6	6	6	6	6	6	6	6	6	6	6	6	6	
8-36-115	GASKET, Spark Plug	-	6	6	6	6	6	6	6	6	6	6	6	6	6	6	6	6	6	
8-36-117	COVER, Spark Plug (for cover package see Part Type Code 8-36-19)	1	6	6	6	6	6	6	6	-	6	6	6	6	6	6	6	6	6	
8-36-119	BASE, Spark Plug Cover Mounting	-	6	6	6	6	6	6	6	6	6	6	6	6	6	6	6	6	6	

★ Indicates use as required.

Prices and specifications subject to change without notice.

☐ Indicates parts not listed in any previous parts books.

Series No. (1 indicates B-1 Series) (2 indicates B-2 Series) (3 indicates B-3 Series) (4 indicates B-4 Series)

Where no Series No. is shown part is for B-1, B-2, B-3 and B-4 Series.

CODE	PART NAME AND DESCRIPTION	SERIES NO.	MODEL CODES													PART NO.
			B	C	D	F	G	H & HH	FM	GM	HM & HHM	J	JM	K	KM	

INSTRUMENT PANEL INSTRUMENTS

Note: Parts indicated by single dagger (†) are used UP TO the following serial numbers.
 Note: Parts indicated by double dagger (‡) are used AFTER the following serial numbers.

	Detroit Built		San Leandro Built
	Mile	Kilometer	
B-2-B	82182144	82181607	85303961
B-2-C	83351578	-----	85507119
B-2-D	81288061	81289197	86009051
B-2-F	80386625	80385493	86513198
B-2-G	80073631	80072872	86600184
B-2-H, B-2-HH	82571683	82570653	85602115
B-2-GM	83701391	83701274	9267525
B-2-HM, B-2-HHM	8741286	8741209	88501012
B-2-J, B-2-K	82808262	82806964	88600114
B-2-JM, B-2-KM	82950811	82950614	88680022
B-2-R	81859320	81859095	-----
B-2-T, B-2-V	81793922	81793723	-----
B-2-Y	8301691	8301642	-----

8-37-1	AMMETER	1,2	1	1	1	1	1	1	1	1	1	1	1	1	1	1	1	1	1	1	1263	499
	(Flat Face Cowl)	3,4	1	1	1	1	1	1	1	1	1	1	1	1	1	1	1	1	1	1	1272	351
	(except Flat Face Cowl)	3,4	1	1	1	1	1	1	1	1	1	1	1	1	1	1	1	1	1	1	1271	229
	Nut	-	2	2	2	2	2	2	2	2	2	2	2	2	2	2	2	2	2	2	120	614
	Washer, lock	-	2	2	2	2	2	2	2	2	2	2	2	2	2	2	2	2	2	2	138	479
8-37-90	BEZEL, Instruments	1,2	1	1	1	1	1	1	1	1	1	1	1	1	1	1	1	1	1	1	1195	748
	(Flat Face Cowl)	3,4	1	1	1	1	1	1	1	1	1	1	1	1	1	1	1	1	1	1	1195	748
	(except Flat Face Cowl)	3,4	1	1	1	1	1	1	-	1	1	1	1	1	1	1	1	1	1	1	1272	326
8-37-92	GASKET, Instrument Bezel	1,2	1	1	1	1	1	1	1	1	1	1	1	1	1	1	1	1	1	1	1195	749
	(Flat Face Cowl)	3,4	1	1	1	1	1	1	-	1	1	1	1	1	1	1	1	1	1	1	1195	749
	(except Flat Face Cowl)	3,4	1	1	1	1	1	1	-	1	1	1	1	1	1	1	1	1	1	1	1272	327
8-37-104	EYELET, Instruments Mounting	-	2	2	2	2	2	2	2	2	2	2	2	2	2	2	2	2	2	2	1262	313
8-37-127	GAUGE, Vacuum Brake	-	-	-	-	1	1	1	1	1	1	1	1	1	1	1	1	1	1	1	1191	584
	Screw, No. 6-32 x 1/4"	-	-	-	-	2	2	2	2	2	2	2	2	2	2	2	2	2	2	2	169	448
8-37-128	CABLE, Vacuum Brake, w/SOCKET (specify 19" of 211 318 Cable, 1-200393 Terminal, 1-1264933 Sleeve, 1- 682198 Socket, 1-385532 Spring, 1-657583 Bushing and 1-657572 Contact)	-	-	-	-	*	*	*	*	*	*	*	*	*	*	*	*	*	*	*	----	----
8-37-129	HOOD, Vacuum and Air Pressure Gauge Light	-	-	-	-	*	*	*	*	*	*	*	*	*	*	*	*	*	*	*	588	460
8-37-130	BRACKET, Air Pressure Gauge Light Mounting	2,3,4	-	-	-	-	-	-	-	-	-	-	-	-	-	-	1	1	1	1	1270	514
8-37-136	GAUGE, Temperature (Fahrenheit)	1,2	1	1	1	1	1	1	-	-	-	1	-	1	-	1	1	1	1	1	1195	741
	(Centigrade)	1,2	1	1	1	1	1	1	-	-	-	1	-	1	-	1	1	1	1	1	1195	743
	(Fahrenheit)	1,2	-	-	-	-	-	-	1	1	1	-	1	-	1	-	-	-	-	-	1195	742
	(Centigrade)	1,2	-	-	-	-	-	-	1	1	1	-	1	-	1	-	-	-	-	-	1195	744
	(Fahrenheit) (Flat Face Cowl)	3,4	1	1	1	1	1	1	-	1	1	1	1	1	1	1	1	1	1	1	1272	348
	(Fahrenheit) (except Flat Face Cowl)	3,4	1	1	1	1	1	1	-	-	-	1	-	1	-	1	1	1	1	1	1271	230
	(Centigrade) (Flat Face Cowl)	3,4	1	1	1	1	1	1	-	1	1	1	1	1	1	1	1	1	1	1	1272	350
	(Centigrade) (except Flat Face Cowl)	3,4	1	1	1	1	1	1	-	-	-	1	-	1	-	1	1	1	1	1	1272	356

★Indicates use as required. Prices and specifications subject to change without notice.
 □Indicates parts not listed in any previous parts books.
 Series No. (1 indicates B-1 Series) (2 indicates B-2 Series) (3 indicates B-3 Series) (4 indicates B-4 Series)
 Where no Series No. is shown part is for B-1, B-2, B-3 and B-4 Series.
 December 31, 1952 Page 8-34 Printed in U.S.A.

CODE	PART NAME AND DESCRIPTION	SERIES NO.	MODEL CODES													PART NO.			
			B	C	D	F	G	H & HH	FM	GM	HM & HHM	J	JM	K	KM		R	T	V
INSTRUMENT PANEL																			
INSTRUMENTS - Cont'd																			
8-37-136	Nut	-	-	-	-	-	-	-	-	-	-	2	-	2	-	2	2	2	120 375
	GAUGE, Temperature(Fahrenheit)																		
	(except Flat Face Cowl)	3	-	-	-	-	-	-	-	1	1	-	1	-	1	-	-	-	*1272 355
	(Centigrade) (except Flat Face Cowl)	3,4	-	-	-	-	-	-	-	1	1	-	1	1	-	-	-	-	1272 357
	(Fahrenheit) (except Flat Face Cowl)	4	1	1	1	1	1	1	1	-	-	1	-	1	-	1	1	1	1502 675
	(Fahrenheit) (except Flat Face Cowl)	4	-	-	-	-	-	-	-	1	-	1	-	1	-	-	-	-	1502 676
	(Fahrenheit) (Flat Face Cowl)	4	1	1	1	1	1	1	1	-	-	1	-	1	-	1	1	1	1502 681
	(Fahrenheit) (Flat Face Cowl)	4	-	-	-	-	-	-	-	1	-	1	-	1	-	-	-	-	1502 682
8-37-149	CLIP, Temperature Gauge Tube	-	-	-	-	-	-	-	-	1	1	1	-	1	-	1	-	-	684 158
	Bolt, 3/8" -24 x 1/2"	-	-	-	-	-	-	-	-	1	1	1	-	1	-	1	-	-	927 805
	Washer, lock	-	-	-	-	-	-	-	-	1	1	1	-	1	-	1	-	-	123 382
	Washer, plain	-	-	-	-	-	-	-	-	1	1	1	-	1	-	1	-	-	138 489
8-37-154	NUT, Temperature Gauge Gland	-	1	1	1	1	1	1	1	1	1	1	1	1	1	1	1	1	120 394
8-37-156	PLATE, Instrument Dial	1,2	1	1	1	1	1	1	1	1	1	1	1	1	1	1	1	1	50 291
	(Flat Face Cowl)	3,4	1	1	1	1	1	1	1	-	1	1	1	1	1	1	1	1	1195 752
	(except Flat Face Cowl)	3,4	1	1	1	1	1	1	1	-	1	1	1	1	1	1	1	1	1272 373
8-37-161	GASKET, Instrument Dial Plate	1,2	1	1	1	1	1	1	1	1	1	1	1	1	1	1	1	1	1272 329
	(Flat Face Cowl)	3,4	1	1	1	1	1	1	1	-	1	1	1	1	1	1	1	1	1195 751
8-37-162	GLASS, Instrument Dial	1,2	1	1	1	1	1	1	1	1	1	1	1	1	1	1	1	1	1195 751
	(Flat Face Cowl)	3,4	1	1	1	1	1	1	1	-	1	1	1	1	1	1	1	1	1195 750
	(except Flat Face Cowl)	3,4	1	1	1	1	1	1	1	-	1	1	1	1	1	1	1	1	1272 328
8-37-178	HOUSING, Instruments, w/Light WINDOW and SHIELD	1,2	1	1	1	1	1	1	1	1	1	1	1	1	1	1	1	1	1262 336
	(Flat Face Cowl)	3,4	1	1	1	1	1	1	1	-	1	1	1	1	1	1	1	1	1262 336
	HOUSING, Instruments (except Flat Face Cowl)	3,4	1	1	1	1	1	1	1	-	1	1	1	1	1	1	1	1	1390 545
8-37-201	CUP, Instruments to Housing Mounting Screw Insulation	-	★	★	★	★	★	★	★	★	★	★	★	★	★	★	★	★	939 548
8-37-212	GASKET, Instruments Mounting	1,2	★	★	★	★	★	★	★	★	★	★	★	★	★	★	★	★	1262 312
	(Flat Face Cowl)	3,4	1	1	1	1	1	1	1	-	1	1	1	1	1	1	1	1	1262 312
	(except Flat Face Cowl)	3,4	1	1	1	1	1	1	1	-	1	1	1	1	1	1	1	1	1272 331
8-37-275	GAUGE, Fuel	1,2	1	1	1	1	1	1	1	1	1	1	1	1	1	1	1	1	1195 745
	(Flat Face Cowl)	3,4	1	1	1	1	1	1	1	-	1	1	1	1	1	1	1	1	1272 353
	(except Flat Face Cowl)	3,4	1	1	1	1	1	1	1	-	1	1	1	1	1	1	1	1	1271 228
	Nut	-	3	3	3	3	3	3	3	3	3	3	3	3	3	3	3	3	120 614
	Washer, lock	-	3	3	3	3	3	3	3	3	3	3	3	3	3	3	3	3	138 479
8-37-316	GAUGE, Oil	1,2	1	1	1	1	1	1	1	1	1	1	1	1	1	1	1	1	1195 746
	(Flat Face Cowl)	3,4	1	1	1	1	1	1	1	1	1	1	1	1	1	1	1	1	1272 352
	(except Flat Face Cowl)	3,4	1	1	1	1	1	1	1	1	1	1	1	1	1	1	1	1	1271 231
8-37-372	SPEEDOMETER (mile)	1	1	1	1	1	1	1	1	1	1	1	1	1	1	1	1	1	1194 576
	(mile)	2	1	1	1	1	1	1	1	1	1	1	1	1	1	1	1	1	1194 576
	(mile)	2	1	1	1	1	1	1	1	-	1	1	1	1	1	1	1	1	1271 150
	(mile)	3,4	1	1	1	1	1	1	1	-	1	1	1	1	1	1	1	1	1271 232
	(kilometer)	1	1	1	1	1	1	1	1	-	1	1	1	1	1	1	1	1	1195 709
	(kilometer)	2	1	1	1	1	1	1	1	-	1	1	1	1	1	1	1	1	1195 709
	(kilometer)	2	1	1	1	1	1	1	1	-	1	1	1	1	1	1	1	1	1271 151
	(kilometer)	3,4	1	1	1	1	1	1	1	-	1	1	1	1	1	1	1	1	1272 319
	Screw, No. 10-16 x 1/2"	-	4	4	4	4	4	4	4	4	4	4	4	4	4	4	4	4	163 217
8-37-384	EYELET, Speedometer Mounting Screw	-	4	4	4	4	4	4	4	4	4	4	4	4	4	4	4	4	1263 532
8-37-388	GASKET, Speedometer Bezel	-	1	1	1	1	1	1	1	1	1	1	1	1	1	1	1	1	1262 973
8-37-399	DIAL, Speedometer (mile)	3,4	1	1	1	1	1	1	1	1	1	1	1	1	1	1	1	1	1272 337
	(kilometer)	3,4	1	1	1	1	1	1	1	1	1	1	1	1	1	1	1	1	1272 338
8-37-410	GLASS, Speedometer Dial	-	1	1	1	1	1	1	1	1	1	1	1	1	1	1	1	1	1262 972
8-37-412	GASKET, Speedometer Dial Glass Mounting	-	1	1	1	1	1	1	1	1	1	1	1	1	1	1	1	1	1262 971

★ Indicates use as required.

Prices and specifications subject to change without notice.

⊠ Indicates parts not listed in any previous parts books.

Series No. (1 indicates B-1 Series) (2 indicates B-2 Series) (3 indicates B-3 Series) (4 indicates B-4 Series)

Where no Series No. is shown part is for B-1, B-2, B-3 and B-4 Series.

* Indicates change or addition.

CODE	PART NAME AND DESCRIPTION	SERIES NO.	MODEL CODES													PART NO.				
			B	C	D	F	G	H & HH	FM	GM	HM & HHM	J	JM	K	KM		R	T	V	Y
INSTRUMENT PANEL																				
INSTRUMENTS - Cont'd																				
8-37-504	TACHOMETER	-	-	-	-	-	-	-	-	-	-	1	-	1	-	1	1	1	1	1263 495
8-37-505	BRACKET, Tachometer Mounting	-	-	-	-	-	-	-	-	-	-	1	-	1	-	1	1	1	1	1265 754
	Bolt, 1/4"-20 x 1 1/2"	-	-	-	-	-	-	-	-	-	-	2	-	2	-	2	2	2	2	121 926
	Washer, lock	-	-	-	-	-	-	-	-	-	-	2	-	2	-	2	2	2	2	120 380
8-37-506	CLAMP, Tachometer Mounting Bracket	-	-	-	-	-	-	-	-	-	1	-	1	-	1	1	1	1	1	1265 768
8-37-507	SPACER, Tachometer Mounting Bracket	-	-	-	-	-	-	-	-	-	1	-	1	-	1	1	1	1	1	1265 769
8-37-508	CABLE, Tachometer, w/SOCKET (specify 25" of 211 318 Cable, 1-200 393 Terminal, 1-1264 933 Sleeve, 1-682 198 Socket, 1-385 532 Spring, 1-657 572 Contact and 1-657 583 Bushing)	-	-	-	-	-	-	-	-	-	-	1	-	1	-	1	1	1	1	1265 769
8-37-517	SHAFT, Tachometer Cable Drive	-	-	-	-	-	-	-	-	-	-	★	-	★	-	★	★	★	★	----
8-37-520	HOUSING, Tachometer Drive Shaft	-	-	-	-	-	-	-	-	-	-	1	-	1	-	1	1	1	1	976 023
8-37-524	GEAR, Tachometer Drive (in distributor)	-	-	-	-	-	-	-	-	-	-	1	-	1	-	1	1	1	1	661 646
8-37-526	GEAR, Follower (in distributor)	-	-	-	-	-	-	-	-	-	-	1	-	1	-	1	1	1	1	661 647
HEADLAMP BEAM INDICATOR																				
8-39-15	SOCKET	-	1	1	1	1	1	1	1	1	1	1	1	1	1	1	1	1	1	682 198
8-39-16	SPRING, Socket	-	1	1	1	1	1	1	1	1	1	1	1	1	1	1	1	1	1	385 532
8-39-17	CONTACT, Socket Cable	-	1	1	1	1	1	1	1	1	1	1	1	1	1	1	1	1	1	657 572
8-39-18	BUSHING, Socket Cable	-	1	1	1	1	1	1	1	1	1	1	1	1	1	1	1	1	1	657 583
INSTRUMENT LAMP																				
8-41-36	SOCKET	-	★	★	★	★	★	★	★	★	★	★	★	★	★	★	★	★	★	682 198
8-41-37	SPRING	-	★	★	★	★	★	★	★	★	★	★	★	★	★	★	★	★	★	385 532
8-41-39	CONTACT, Socket Cable	-	★	★	★	★	★	★	★	★	★	★	★	★	★	★	★	★	★	657 572
8-41-40	BUSHING, Socket Cable	-	★	★	★	★	★	★	★	★	★	★	★	★	★	★	★	★	★	657 583
LAMP BULBS																				
8-44-1	BULB, Headlamp Beam Indicator	-	1	1	1	1	1	1	1	1	1	1	1	1	1	1	1	1	1	115 273
	Parking Lamp	-	2	2	2	2	2	2	2	2	2	2	2	2	2	2	2	2	2	142 303
	Instrument Panel Lamp	-	2	2	2	2	2	2	2	2	2	2	2	2	2	2	2	2	2	125 588
	Speedometer Light	-	1	1	1	1	1	1	1	1	1	1	1	1	1	1	1	1	1	125 588
	Dome Lamp	-	1	1	1	1	1	1	1	1	1	1	1	1	1	1	1	1	1	142 304
	Tail Lamp	-	★	★	★	★	★	★	★	★	★	★	★	★	★	★	★	★	★	142 449
	Vacuum Brake Gauge Light	-	1	1	1	1	1	1	1	1	1	1	1	1	1	1	1	1	1	115 273
	Tachometer Light	-	-	-	-	-	-	-	-	-	-	1	-	1	-	1	1	1	1	115 273
	Licence Lamp	3, 4	1	-	-	-	-	-	-	-	-	-	-	-	-	-	-	-	-	142 303
	Directional Signal (signal) Lamp	-	1	1	1	1	1	1	1	1	1	1	1	1	1	1	1	1	1	115 273
	Lamp	-	★	★	★	★	★	★	★	★	★	★	★	★	★	★	★	★	★	142 308
LICENSE MOUNTING BRACKET																				
8-47-8	BRACKET, Front	-	1	1	1	1	1	1	1	1	1	1	1	1	1	1	1	1	1	1196 996
	Bolt, 1/4"-28 x 1"	-	2	2	2	2	2	2	2	2	2	2	2	2	2	2	2	2	2	123 461
	Nut	-	2	2	2	2	2	2	2	2	2	2	2	2	2	2	2	2	2	120 367
	Washer, lock	-	2	2	2	2	2	2	2	2	2	2	2	2	2	2	2	2	2	120 380
	Rivet	-	2	2	2	2	2	2	2	2	2	2	2	2	2	2	2	2	2	104 085
8-47-75	BRACKET, Tail Lamp License Plate (license plate holder)	-	1	1	1	1	1	1	1	1	1	1	1	1	1	1	1	1	1	1267 834
	Bolt or Screw, 5/8" -18 x 1 1/2"	-	2	2	2	2	2	2	2	2	2	2	2	2	2	2	2	2	2	123 954
	Washer, lock	-	2	2	2	2	2	2	2	2	2	2	2	2	2	2	2	2	2	121 574

★ Indicates use as required.

⊠ Indicates parts not listed in any previous parts books.

Series No. (1 indicates B-1 Series) (2 indicates B-2 Series) (3 indicates B-3 Series) (4 indicates B-4 Series)

Where no Series No. is shown part is for B-1, B-2, B-3 and B-4 Series.

April 13, 1953 Supersedes Dec. 31, 1952.

Prices and specifications subject to change without notice.

CODE	PART NAME AND DESCRIPTION	SERIES NO.	MODEL CODES																PART NO.
			B	C	D	F	G	H & HH	FM	GM	HM & HHM	J	JM	K	KM	R	T	V	
MARKER AND CLEARANCE LAMPS																			
8-48-25	LAMP, Marker (red lens) (cluster of three lamps)	-	1	1	1	1	1	1	1	1	1	1	1	1	1	1	1	1	1272 307
	(amber lens) (cluster of three lamps)	-	1	1	1	1	1	1	1	1	1	1	1	1	1	1	1	1	1268 164
	Screw, No. 10-32 x 3/8"	-	4	4	4	4	4	4	4	4	4	4	4	4	4	4	4	4	132 900
	Nut	-	4	4	4	4	4	4	4	4	4	4	4	4	4	4	4	4	120 614
	Washer, lock	-	4	4	4	4	4	4	4	4	4	4	4	4	4	4	4	4	120 217
8-48-34	TERMINAL, Marker Lamp Wiring	-	1	1	1	1	1	1	1	1	1	1	1	1	1	1	1	1	665 151
8-48-35	"Y" CONNECTOR, Marker Lamp Wiring	-	1	1	1	1	1	1	1	1	1	1	1	1	1	1	1	1	689 867
DIRECTIONAL SIGNAL AND PARKING LAMPS																			
8-50-55	LAMP, Directional Signal (double face) (right)	-	1	1	1	1	1	1	1	1	1	1	1	1	1	1	1	1	1264 068
	(double face) (left)	-	1	1	1	1	1	1	1	1	1	1	1	1	1	1	1	1	1264 069
	(single face) (right)	-	1	1	1	1	1	1	1	1	1	1	1	1	1	1	1	1	1264 076
	(single face) (left)	-	1	1	1	1	1	1	1	1	1	1	1	1	1	1	1	1	1264 077
	(flush mounted) (right)	-	1	1	1	1	1	1	1	1	1	1	1	1	1	1	1	1	1272 378
	(flush mounted) (left)	-	1	1	1	1	1	1	1	1	1	1	1	1	1	1	1	1	1264 059
	Screw, No. 8-32 x 1" (flush mounted)	-	8	8	8	8	8	8	8	8	8	8	8	8	8	8	8	8	134 239
	Nut	-	8	8	8	8	8	8	8	8	8	8	8	8	8	8	8	8	120 622
	Washer, lock	-	8	8	8	8	8	8	8	8	8	8	8	8	8	8	8	8	121 841
	Nut (except flush mounted) . .	-	2	2	2	2	2	2	2	2	2	2	2	2	2	2	2	2	120 370
	Washer, lock (except flush mounted)	-	2	2	2	2	2	2	2	2	2	2	2	2	2	2	2	2	136 857
8-50-59	WASHER, Directional Signal Lamp Mounting Base (except flush mounted)	-	2	2	2	2	2	2	2	2	2	2	2	2	2	2	2	2	1264 072
8-50-61	PAD, Directional Signal Lamp Mounting Base (except flush mounted)	-	2	2	2	2	2	2	2	2	2	2	2	2	2	2	2	2	1264 071
	GASKET, Directional Signal Lamp Mounting (flush mounted) . .	-	2	2	2	2	2	2	2	2	2	2	2	2	2	2	2	2	1263 503
8-50-63	BRACKET, Directional Signal Mounting (Express)	-	2	2	2	-	-	-	-	-	-	-	-	-	-	-	-	-	1272 391
8-50-67	REFLECTOR, Directional Signal Lamp	-	★	★	★	★	★	★	★	★	★	★	★	★	★	★	★	★	1264 070
8-50-68	PLATE, Directional Signal Lamp Face (right)	-	1	1	1	1	1	1	1	1	1	1	1	1	1	1	1	1	1264 074
	(left)	-	1	1	1	1	1	1	1	1	1	1	1	1	1	1	1	1	1264 075
	(right) (double face)	-	1	1	1	1	1	1	1	1	1	1	1	1	1	1	1	1	1264 080
	(left) (double face)	-	1	1	1	1	1	1	1	1	1	1	1	1	1	1	1	1	1264 081
	Screw, No. 8-32 x 3/8"	-	4	4	4	4	4	4	4	4	4	4	4	4	4	4	4	4	121 832
8-50-69	GASKET, Directional Signal Lamp Face or Back Plate Mounting . .	-	★	★	★	★	★	★	★	★	★	★	★	★	★	★	★	★	1264 078
8-50-74	HANDLE, Directional Signal Lamp Control	-	1	1	1	1	1	1	1	1	1	1	1	1	1	1	1	1	1264 061
8-50-75	ARM, Directional Signal Lamp Control	-	1	1	1	1	1	1	1	1	1	1	1	1	1	1	1	1	1264 065
8-50-77	CLAMP, Directional Signal Lamp Control Arm Mounting	-	1	1	1	1	1	1	1	1	1	1	1	1	1	1	1	1	1264 062
	Screw or Bolt, 11/4"-20 x 1 1/2" .	-	2	2	2	2	2	2	2	2	2	2	2	2	2	2	2	2	133 056
8-50-82	SWITCH, Directional Signal Lamp Control (manual)	-	1	1	1	1	1	1	1	1	1	1	1	1	1	1	1	1	1263 973
	Turn Signal Lamp (self-cancelling)	3, 4	1	1	1	1	1	1	1	1	1	1	1	1	1	1	1	1	E1391 899

★ Indicates use as required.

☐ Indicates parts not listed in any previous parts books.

Series No. (1 indicates B-1 Series) (2 indicates B-2 Series) (3 indicates B-3 Series) (4 indicates B-4 Series)

Where no Series No. is shown part is for B-1, B-2, B-3 and B-4 Series.

Prices and specifications subject to change without notice.

CODE	PART NAME AND DESCRIPTION	SERIES NO.	MODEL CODES																PART NO.
			B	C	D	F	G	H & HH	FM	GM	HM & HHM	J	JM	K	KM	R	T	V	
DIRECTIONAL SIGNAL AND PARKING LAMPS - Cont'd																			
8-50-142	CABLE, Directional Signal Lamp (specify 32" of 211 318 Cable, 1-665151 Terminal, 1-645411 Ferrule and Wagner Assembly).	-	2	2	2	2	2	2	2	2	2	2	2	2	2	2	2	2	---
8-50-149	TERMINAL, Directional Signal Lamp Wiring.	-	10	10	10	10	10	10	10	10	10	10	10	10	10	10	10	10	665 151
8-50-151	CONNECTOR, Directional Signal Lamp Wiring.	-	4	4	4	4	4	4	4	4	4	4	4	4	4	4	4	4	611 898
		-	2	2	2	2	2	2	2	2	2	2	2	2	2	2	2	2	689 867
8-50-155	CABLE, Directional Signal Lamp Indicator Light (specify 2 3/4" of 211 318 Cable, 1-200393 Terminal, 1-1264933 Sleeve, 1-856612 Socket, 1-385532 Spring, 1-657583 Bushing and 1-657572 Contact).	-	1	1	1	1	1	1	1	1	1	1	1	1	1	1	1	1	---
8-50-186	FLASHER, Directional Signal Lamp Control Arm (manual).	-	1	1	1	1	1	1	1	1	1	1	1	1	1	1	1	1	1264 063
	Switch Flasher (self-cancelling).	-	1	1	1	1	1	1	1	1	1	1	1	1	1	1	1	1	1257 223
	Screw, No. 6-32 x 11/4".	-	1	1	1	1	1	1	1	1	1	1	1	1	1	1	1	1	132 688
	Washer, lock.	-	1	1	1	1	1	1	1	1	1	1	1	1	1	1	1	1	138 473
8-50-195	WIRING, Directional Signal Lamp Control (specify 65" of 211 318 Cable, 2-665151 Terminal, 1-200393 Terminal, 3-200001 Terminal and 4-1264933 Sleeve).	-	1	1	1	1	1	1	1	1	1	1	1	1	1	1	1	1	---
8-50-202	BLOCK, Directional Signal Lamp Fuse.	-	1	1	1	1	1	1	1	1	1	1	1	1	1	1	1	1	1263 974
8-50-303	LAMP, Parking.	1,2	2	2	2	2	2	2	2	2	2	2	2	2	2	2	2	2	1193 332
	Screw, No. 7-16 x 1/2".	-	6	6	6	6	6	6	6	6	6	6	6	6	6	6	6	6	111 663
8-50-308	GASKET, Parking Lamp Mounting.	1,2	2	2	2	2	2	2	2	2	2	2	2	2	2	2	2	2	1193 361
8-50-315	DOOR, Parking Lamp Door.	1,2	2	2	2	2	2	2	2	2	2	2	2	2	2	2	2	2	1193 329
		3	2	2	2	2	2	2	-	2	2	2	2	2	2	2	2	2	1272 364
		4	2	2	2	2	2	2	-	2	2	2	2	2	2	2	2	2	1501 009
8-50-331	REFLECTOR, Parking Lamp.	3,4	2	2	2	2	2	2	2	2	2	2	2	2	2	2	2	2	1272 361
	Screw or Bolt, 3/8"-16 x 1 1/2".	-	2	2	2	2	2	2	2	2	2	2	2	2	2	2	2	2	120 918
	Washer, lock.	-	2	2	2	2	2	2	2	2	2	2	2	2	2	2	2	2	121 841
8-50-335	LENS, Parking Lamp.	1,2	2	2	2	2	2	2	2	2	2	2	2	2	2	2	2	2	1193 328
		-	2	2	2	2	2	2	-	2	2	2	2	2	2	2	2	2	1272 363
8-50-338	GASKET, Parking Lamp Lens.	1,2	2	2	2	2	2	2	2	2	2	2	2	2	2	2	2	2	1193 330
		3,4	2	2	2	2	2	2	2	2	2	2	2	2	2	2	2	2	1272 362
8-50-349	CABLE, Parking Lamp (specify 24" of 211318 Cable, 1-916055 Contact, 1-1189551 Insulator, 1-1264933 Sleeve and 1-200393 Terminal).	1,2	*	*	*	*	*	*	*	*	*	*	*	*	*	*	*	*	---
8-50-354	SPRING, Parking Lamp Cable.	3,4	2	2	2	2	2	2	-	2	2	2	2	2	2	2	2	2	44 758
8-50-355	INSULATOR, Parking Lamp Cable Contact.	1,2	2	2	2	2	2	2	2	2	2	2	2	2	2	2	2	2	1189 551
8-50-358	INSULATOR, Parking Lamp Cable.	3,4	2	2	2	2	2	2	-	2	2	2	2	2	2	2	2	2	684 775
8-50-372	CONTACT, Parking Lamp Cable.	1,2	2	2	2	2	2	2	2	2	2	2	2	2	2	2	2	2	916 055
		3,4	2	2	2	2	2	2	-	2	2	2	2	2	2	2	2	2	657 572
REFLECTOR																			
8-51-1	REFLECTOR (red lens).	-	*	*	*	*	*	*	*	*	*	*	*	*	*	*	*	*	922 461
	(amber lens).	-	*	*	*	*	*	*	*	*	*	*	*	*	*	*	*	*	922 462
8-51-2	SCREW (attaching).	-	4	4	4	4	4	4	4	4	4	4	4	4	4	4	4	4	929 054

★ Indicates use as required.

⊠ Indicates parts not listed in any previous parts books.

Series No. (1 indicates B-1 Series) (2 indicates B-2 Series) (3 indicates B-3 Series) (4 indicates B-4 Series)

Where no Series No. is shown part is for B-1, B-2, B-3 and B-4 Series.

December 31, 1952

Prices and specifications subject to change without notice.

Printed in U.S.A.

CODE	PART NAME AND DESCRIPTION	SERIES NO.	MODEL CODES													PART NO.			
			B	C	D	F	G	H & HH	FM	GM	HM & HHM	J	JM	K	KM		R	T	V
STARTING MOTOR																			
8-52-4	STARTER (B-1-B and B-1-C up to engine No. T142-77330) (1194565 Starter cancelled-service detail parts)	1	1	1	-	-	-	-	-	-	-	-	-	-	-	-	-	-	-
	(B-1-B and B-1-C after engine No. T142-77330) (1261484 Starter cancelled-service detail parts)	1	1	1	-	-	-	-	-	-	-	-	-	-	-	-	-	-	-
	(B-1-D up to engine No. T146-30492. B-1-F and B-1-H up to engine No. T148-60955. B-1-FM and B-1-HM up to engine No. T152-3154.) (1194567 Starter cancelled-service detail parts) .	1	-	-	1	1	-	1	1	-	1	-	-	-	-	-	-	-	-
	(B-1-D after engine No. T146-30492. B-1-F and B-1-H after engine No. T148-60955. B-1-FM and B-1-HM after engine No. T152-3154) (1261484 Starter cancelled-service detail parts) .	1	-	-	1	1	-	1	1	-	1	-	-	-	-	-	-	-	-
	(B-2-B and B-2-C up to engine No. T172-70744. B-2-D up to engine No. T176-11679. B-2-F and B-2-G up to engine No. T178-15671. B-2-H and B-2-HH up to engine No. T192-8526. B-2-GM up to engine No. T182-1422. B-2-HM and B-2-HHM up to engine No. T194-1302) (1261484 Starter cancelled-service detail parts) .	2 2, 3, 4	1 1	1 1	1 1	1 1	1 1	1 1	-	1 1	1 1	-	-	-	-	-	-	-	-
	(B-1-J and B-1-K up to engine No. T150-25716. B-1-JM and B-1-KM up to engine No. T154-2877) (1194568 Starter cancelled-service detail parts) .	1	-	-	-	-	-	-	-	-	1	1	1	1	-	-	-	-	-
	B-1-J and B-1-K after engine No. T150-25716. B-1-JM and B-1-KM after engine No. T154-2877.) (1261485 Starter cancelled-service detail parts) .	1	-	-	-	-	-	-	-	-	1	1	1	1	-	-	-	-	-
	(B-2-J and B-2-K up to engine No. T180-9583. B-2-JM and B-2-KM up to engine No. T184-1880)(1261485 Starter cancelled-service detail parts) .	2 2, 3, 4	-	-	-	-	-	-	-	-	1 1	1 1	1 1	1 1	-	-	-	-	-

★Indicates use as required.

Prices and specifications subject to change without notice.

☐Indicates parts not listed in any previous parts books.

Series No. (1 indicates B-1 Series) (2 indicates B-2 Series) (3 indicates B-3 Series) (4 indicates B-4 Series)

Where no Series No. is shown part is for B-1, B-2, B-3 and B-4 Series.

CODE	PART NAME AND DESCRIPTION	SERIES NO.	MODEL CODES													PART NO.				
			B	C	D	F	G	H & HH	FM	GM	HM & HHM	J	JM	K	KM		R	T	V	Y
STARTING MOTOR - Cont'd																				
8-52-4	STARTER (B-1-R up to engine No. T156-3511. B-1-T and B-1-V up to engine No. T158-3983) (1195685 Starter cancelled-service detail parts)	1	-	-	-	-	-	-	-	-	-	-	-	-	-	1	1	1	-	-----
		1	-	-	-	-	-	-	-	-	-	-	-	-	-	1	1	1	-	1268 128
	(B-2-R up to engine No. T186-2653. B-2-T and B-2-V up to engine No. T188-2128. B-2-Y up to engine No. T190-1275)	2	-	-	-	-	-	-	-	-	-	-	-	-	-	1	1	1	1	1268 128
	(B-2-R after engine No. T186-2653. B-2-T and B-2-V after engine No. T188-2128. B-2-Y after engine No. T190-1275)	2, 3, 4	-	-	-	-	-	-	-	-	-	-	-	-	-	1	1	1	1	1268 128

Continued on Opposite Page - Read Across

CODE	STARTER.	1194 565	1261 484	1268 125
------	------------------	----------	----------	----------

Note: All quantities are one (1) unless otherwise indicated in parenthesis.

STARTING MOTOR - Cont'd

8-52-41	CLUTCH		871 754	1300 522	1343 708
8-52-46	YOKE		1261 012	1265 709	1390 062
8-52-47	SPRING, Yoke		1112 379	1300 509	-----
8-52-48	RETAINER, Spring		652 124	1300 508	-----
8-52-50	PIN or BOLT, Yoke		652 149	866 767	1343 710
	Nut		-----	120 377	-----
	Washer, lock		120 382	120 482	-----
	Pin, cotter		-----	-----	103 373
8-52-51	NUT, Yoke Pivot Screw		51 104	-----	-----
8-52-67	SNAP RING, Clutch		-----	-----	1343 707
8-52-68	RETAINER, Clutch		-----	-----	1343 706
8-52-76	HOUSING, Pinion		1194 570	1265 710	1390 063
	Pin, stght.		-----	112 006	112 006
8-52-80	BEARING, Housing		636 845	636 845	636 845
8-52-120	ARMATURE		687 379	1300 505	1343 705
8-52-121	WASHER, Drive End Thrust.		641 444	641 444	641 444
	WASHER, Commutator End Armature Thrust (★) (1/32 thk.)		641 446	641 446	641 446
	WASHER, Commutator End Armature Thrust (★)		641 445	641 445	641 445
	WASHER, Commutator End Armature Thrust.		672 641	-----	1369 645
8-52-122	SPACER, Armature Shaft (drive end)		636 842	-----	1369 644
8-52-135	BRUSH SET		-----	1138 529	1345 005
	Screw, No. 10-32 x 3/8"		-----	132 900	132 900
	Washer, lock		-----	120 217	120 217

★Indicates use as required.

Prices and specifications subject to change without notice.

☐Indicates parts not listed in any previous parts books.

Series No. (1 indicates B-1 Series) (2 indicates B-2 Series) (3 indicates B-3 Series) (4 indicates B-4 Series)

Where no Series No. is shown part is for B-1, B-2, B-3 and B-4 Series.

Printed in U.S.A.

Continued from preceding Page - Read Across

1194 567	1261 485	1268 126	1194 568	1261 487	1195 685	1268 128	CODE
871 754	1300 522	1343 708	871 754	1300 522	871 754	1300 522	8-52-41
1195 776	1265 709	1390 062	1195 776	1265 714	1261 013	1390 065	8-52-46
1112 379	1300 509	----	1112 379	1300 509	1112 379	----	8-52-47
652 124	1300 508	----	652 124	1300 508	652 124	----	8-52-48
652 149	866 767	1343 710	652 149	866 767	652 149	1343 710	8-52-50
----	120 377	120 377	120 377	120 377	----	----	
120 382	120 382	----	120 382	120 382	120 382	----	
----	----	103 373	----	----	----	103 373	
51 104	----	----	----	----	51 104	----	8-52-51
----	----	1343 707	----	----	----	1343 707	8-52-67
----	----	1343 706	----	----	----	1343 706	8-52-68
919 950	1265 713	1390 064	1112 382	1265 713	1112 382	1390 064	8-52-76
----	112 006	112 006	----	112 006	112 006	112 006	
636 845	636 845	636 845	636 845	636 845	636 845	636 845	8-52-80
641 443	1300 505	1343 705	641 443	1300 505	641 443	1343 705	8-52-120
641 444	641 444	641 444	641 444	641 444	641 444	641 444	8-52-121
641 446	641 446	641 446	641 446	641 446	641 446	641 446	
641 445	641 445	641 445	641 445	641 445	641 445	641 445	
672 641	----	1369 645	672 641	----	672 641	1369 645	
636 842	----	1369 644	636 842	----	636 842	1369 644	8-52-122
----	1138 529	1345 005	----	----	1138 529	1345 005	8-52-135
----	132 900	132 900	----	----	132 900	132 900	
----	120 217	120 217	----	----	120 217	120 217	

★ Indicates use as required.

Prices and specifications subject to change without notice.

☐ Indicates parts not listed in any previous parts books.

Series No. (1 indicates B-1 Series) (2 indicates B-2 Series) (3 indicates B-3 Series) (4 indicates B-4 Series)

Where no Series No. is shown part is for B-1, B-2, B-3 and B-4 Series.

Continued on Opposite Page - Read Across

CODE	STARTER	1194 565	1261 484	1268 125
<p>Note: All quantities are one (1) unless otherwise indicated in parenthesis.</p> <p>STARTING MOTOR - Cont'd</p>				
8-52-136	BRUSH (insulated) (2)	687 374	----	687 374
	BRUSH (grounded) (2)	687 378	----	----
8-52-139	SPRING, Brush (4)	636 841	636 841	636 841
8-52-150	HOLDER, Brush (2)	689 919	----	----
	Rivet (4)	118 514	----	----
8-52-176	HEAD, Commutator End	1123 018	1265 032	1138 525
8-52-184	PAD, Commutator End Felt	636 840	636 840	636 840
8-52-195	BAND, Cover	687 381	641 457	1345 000
	Screw, No. 10-32 x 1 1/2"	----	132 930	----
	Nut	----	120 614	----
8-52-216	COIL, Field, Right	----	1265 708	1390 060
8-52-217	COIL, Field, Left	----	1265 707	1390 059
8-52-218	COIL, Field Upper Right	687 376	----	----
8-52-219	COIL, Field Lower Right	927 967	----	----
8-52-220	COIL, Field Upper Left	687 372	----	----
8-52-221	COIL, Field Lower Left	927 968	----	----
8-52-222	EQUALIZER, Field Coil (★)	927 908	1265 033	1138 519
8-52-223	CONNECTOR, Field Coil (2)	687 369	----	----
8-52-241	BOLT, Thru (2)	641 454	1300 503	1300 503
	Washer, lock (2)	131 098	131 098	131 098
8-52-250	BUSHING, Terminal Stud Insulating	636 825	636 825	636 825
8-52-251	WASHER, Terminal Stud Insulating	636 816	636 816	1390 057
8-52-255	INSULATION, Field Connection	853 747	636 818	636 818
8-52-271	SCREW, Pole Shoe (4)	687 370	859 901	859 901
8-52-275	STUD, Field Terminal	687 371	636 822	636 822
	Nut	120 377	120 377	120 377
	Washer, lock	----	----	120 382
8-52-287	PACKAGE, Switch Insulation and Contact	----	----	----
8-52-290	SWITCH	641 462	641 462	1390 061
	Screw, No. 10-32 x 3/8" (2) (mounting)	132 900	132 900	132 900
	Nut (terminal)	120 377	120 377	120 377
	Washer, lock (mounting) (2)	138 479	138 479	138 479
	Washer, lock (terminal)	120 382	120 382	120 382
8-52-296	CONTACT, Switch	691 720	643 838	643 838
8-52-297	BLOCK, Switch Insulating	687 365	636 828	636 828
	INSULATION, Switch Contact	1136 566	----	1136 566

★Indicates use as required. Prices and specifications subject to change without notice.
 □Indicates parts not listed in any previous parts books.
 Series No. (1 indicates B-1 Series) (2 indicates B-2 Series) (3 indicates B-3 Series) (4 indicates B-4 Series)
 Where no Series No. is shown part is for B-1, B-2, B-3 and B-4 Series.
 December 31, 1952 Page 8-42 Printed in U.S.A.

Continued from Preceding Page - Read Across

1194 567	1261 485	1268 126	1194 568	1261 487	1195 685	1268 128	CODE
636 838	----	687 374	636 838	636 838	----	687 374	8-52-136
636 820	----	----	636 820	636 820	----	----	
636 841	636 841	636 841	636 841	636 841	636 841	636 841	8-52-139
----	----	----	----	----	----	----	
----	----	----	----	----	----	----	
1123 011	1300 516	1300 516	636 839	1300 516	636 839	1300 516	8-52-176
636 840	636 840	636 840	636 840	636 840	636 840	636 840	8-52-184
641 457	641 457	1345 000	641 457	641 457	641 457	1345 000	8-52-195
132 930	132 930	----	132 930	132 930	132 930	----	
120 614	120 614	----	120 614	120 614	120 614	----	
930 277	----	----	----	----	----	----	8-52-216
643 827	----	----	----	----	----	----	8-52-217
----	1265 712	1265 712	636 835	1265 712	636 835	1265 712	8-52-218
----	643 830	643 830	643 830	643 830	643 830	643 830	8-52-219
----	636 833	636 833	636 833	636 833	636 833	636 833	8-52-220
----	643 831	643 831	643 831	643 831	643 831	643 831	8-52-221
655 714	652 099	652 099	652 099	652 099	652 099	652 099	8-52-222
----	683 363	683 363	683 363	683 363	683 363	683 363	8-52-223
641 454	1300 503	1300 503	641 454	1300 503	641 454	1300 503	8-52-241
131 098	131 098	131 098	131 098	131 098	131 098	131 098	
636 825	636 825	636 825	636 825	636 825	636 825	636 825	8-52-250
636 816	636 816	1390 057	636 816	636 816	636 816	1390 057	8-52-251
636 818	636 819	1315 965	636 818	636 819	636 819	1315 965	8-52-255
859 901	859 901	859 901	859 901	859 901	859 901	859 901	8-52-271
636 822	643 829	643 829	643 829	643 829	643 829	643 829	8-52-275
120 377	120 377	120 377	120 377	120 377	120 377	120 377	
----	----	120 382	----	----	----	120 382	
----	----	----	----	----	----	1501 797	8-52-287
641 462	641 462	1390 061	641 462	641 462	641 462	1390 061	8-52-290
132 900	132 900	132 900	132 900	132 900	132 900	132 900	
120 377	120 377	120 377	120 377	120 377	120 377	120 377	
138 479	138 479	138 479	138 479	138 479	138 479	138 479	
120 382	120 382	120 382	120 382	120 382	120 382	120 382	
643 838	643 838	643 838	643 838	643 838	643 838	643 838	8-52-296
636 828	636 828	636 828	636 828	636 828	636 828	636 828	8-52-297
----	----	1136 566	1136 566	1136 566	1136 566	1136 566	

★ Indicates use as required.

Prices and specifications subject to change without notice.

☐ Indicates parts not listed in any previous parts books.

Series No. (1 indicates B-1 Series) (2 indicates B-2 Series) (3 indicates B-3 Series) (4 indicates B-4 Series)

Where no Series No. is shown part is for B-1, B-2, B-3 and B-4 Series.

CODE	PART NAME AND DESCRIPTION	SERIES NO.	MODEL CODES																PART NO.	
			B	C	D	F	G	H & HH	FM	GM	HM & HHM	J	JM	K	KM	R	T	V		Y
STARTING MOTOR - Cont'd																				
8-52-457	PEDAL	1	1	1	1	1	1	1	1	1	1	1	1	1	1	1	1	1	1	1189 914
		2, 3, 4	1	1	1	1	1	1	1	1	1	1	1	1	1	1	1	1	1	1265 130
	Bolt, 1/4"-28 x 1".	1	3	3	3	3	3	3	3	3	3	3	3	3	3	3	3	3	3	1196 605
	Nut	1	3	3	3	3	3	3	3	3	3	3	3	3	3	3	3	3	3	123 461
	Washer, lock	1	3	3	3	3	3	3	3	3	3	3	3	3	3	3	3	3	3	120 367
	Washer, plain	1	3	3	3	3	3	3	3	3	3	3	3	3	3	3	3	3	3	120 380
8-52-459	NUT, Pedal Bracket Screw ("J" type)	-	3	3	3	3	3	3	3	3	3	3	3	3	3	3	3	3	3	120 392
8-52-481	BRACKET, Pedal Plunger Lever	-	-	-	-	-	-	1	1	1	-	1	-	1	-	-	-	-	-	1097 391
8-52-493	BUTTON, Pedal	-	1	1	1	1	1	1	1	1	1	1	1	1	1	1	1	1	1	597 253
8-52-500	LEVER, Pedal Plunger	-	-	-	-	-	-	1	1	1	-	1	-	1	-	-	-	-	-	699 482
	Pin, Clevis	-	-	-	-	-	-	1	1	1	-	1	-	1	-	-	-	-	-	1196 608
	Pin, cotter	-	-	-	-	-	-	1	1	1	-	1	-	1	-	-	-	-	-	138 084
8-52-501	LINK, Pedal Plunger Lever	-	-	-	-	-	-	1	1	1	-	1	-	1	-	-	-	-	-	103 373
	Pin, cotter	-	-	-	-	-	-	1	1	1	-	1	-	1	-	-	-	-	-	1196 609
8-52-502	PIN, Pedal Plunger Lever Link Clevis	-	-	-	-	-	-	1	1	1	-	1	-	1	-	-	-	-	-	103 373
		-	-	-	-	-	-	1	1	1	-	1	-	1	-	-	-	-	-	303 365
SWITCHES																				
8-53-150	SWITCH, Dimmer	-	1	1	1	1	1	1	1	1	1	1	1	1	1	1	1	1	1	1253 003
	Screw or Bolt, 1/2"-20 x 5/8".	-	2	2	2	2	2	2	2	2	2	2	2	2	2	2	2	2	2	120 583
	Washer, lock	-	2	2	2	2	2	2	2	2	2	2	2	2	2	2	2	2	2	121 753
8-53-175	BRACKET, Dimmer Switch (on dash) (B-1-B up to serial No. 82086215 except 82084657 thru 82084722, 82084926 thru 82084931, 82085401 thru 82085478, 82086001 thru 82086150, B-1-C up to serial No. 83322304, B-1-D up to serial No. 81265710 except 82264660 thru 81264683 and 81264757, 81265512 thru 81265571, B-1-F and B-1-H up to serial No. 80348277 except 80347301 thru 80347460, 80347462 thru 80347501, 80347550 thru 80347649, B-1-J up to serial No. 82552855 except 82552302 and 82552427 thru 82552446, 82552556 thru 82552559, B-1-FM and B-1-HM up to serial No. 83509357, B-1-JM up to serial No. 8739151, B-1-R up to serial No. 81856754, B-1-T and B-1-V up to serial No. 81790872.)	1	1	1	1	1	1	1	1	1	1	1	1	1	1	1	1	1	1	1197 664
	Bolt, 1/4"-28 x 1".	-	3	3	3	3	3	3	3	3	3	3	3	3	3	3	3	3	3	123 461
	Nut	-	3	3	3	3	3	3	3	3	3	3	3	3	3	3	3	3	3	120 367
	Washer, lock	-	3	3	3	3	3	3	3	3	3	3	3	3	3	3	3	3	3	121 753
8-53-199	SWITCH, Fuel Gauge Double Throw (use with dual tanks)	-	-	-	1	1	1	1	1	1	1	1	1	1	1	1	1	1	1	923 363
8-53-210	SWITCH, Instrument Panel Lamp (B-2-Y up to serial No. 8301519)	2	1	1	1	1	1	1	1	1	1	1	1	1	1	1	1	1	1	*1188 451
	(B-2-Y after serial No. 8301519)	2, 3, 4	-	-	-	-	-	-	-	-	-	-	-	-	-	-	-	-	-	*1188 451
	Screw, No. 8-32 x 1/4".	-	2	2	2	2	2	2	2	2	2	2	2	2	2	2	2	2	2	122 159
	Washer, lock	-	2	2	2	2	2	2	2	2	2	2	2	2	2	2	2	2	2	138 530

★ Indicates use as required. Prices and specifications subject to change without notice.
 ☐ Indicates parts not listed in any previous parts books.
 Series No. (1 indicates B-1 Series) (2 indicates B-2 Series) (3 indicates B-3 Series) (4 indicates B-4 Series)
 Where no Series No. is shown part is for B-1, B-2, B-3 and B-4 Series.
 May 1, 1953 Supersedes Dec. 31, 1952. Page 8-44 * Indicates change or addition. Printed in U.S.A.

CODE	PART NAME AND DESCRIPTION	SERIES NO.	MODEL CODES																PART NO.
			B	C	D	F	G	H & HH	FM	GM	HM & HHM	J	JM	K	KM	R	T	V	
SWITCHES - Cont'd																			
8-53-211	NUT, Instrument Panel Lamp Switch Mounting	-	1	1	1	1	1	1	1	1	1	1	1	1	1	1	1	1	1189 496
8-53-213	WASHER, Instrument Panel Lamp Switch Mounting Nut	-	1	1	1	1	1	1	1	1	1	1	1	1	1	1	1	1	1194 598
8-53-215	RESISTOR, Instrument Panel Lamp Switch (use with 1271203 switch)	2, 3, 4	-	-	-	-	-	-	-	-	-	-	-	-	-	-	-	-	1271 205
8-53-225	KNOB, Instrument Panel Lamp Switch Control	-	1	1	1	1	1	1	1	1	1	1	1	1	1	1	1	1	1191 536
8-53-270	SWITCH, Headlamp.	-	1	1	1	1	1	1	1	1	1	1	1	1	1	1	1	1	1260 727
	Nut	-	2	2	2	2	2	2	2	2	2	2	2	2	2	2	2	2	120 614
	Washer, lock	-	2	2	2	2	2	2	2	2	2	2	2	2	2	2	2	2	138 479
8-53-271	NUT, Headlamp Switch Mounting	-	1	1	1	1	1	1	1	1	1	1	1	1	1	1	1	1	1189 496
8-53-272	WASHER, Headlamp Switch Mounting Nut	-	1	1	1	1	1	1	1	1	1	1	1	1	1	1	1	1	1194 598
8-53-281	BREAKER, Headlamp Switch Circuit.	-	1	1	1	1	1	1	1	1	1	1	1	1	1	1	1	1	1239 431
8-53-296	KNOB, Headlamp Switch Control	-	1	1	1	1	1	1	1	1	1	1	1	1	1	1	1	1	1191 532
TAIL LAMP																			
8-55-7	LAMP, Tail	1, 2	1	1	1	1	1	1	1	1	1	1	1	1	1	1	1	1	1195 670
	(except Panel)	3, 4	1	1	1	1	1	1	-	1	1	1	1	1	1	1	1	1	1195 670
	(dual installation)	1, 2	1	1	1	1	1	1	1	1	1	1	1	1	1	1	1	1	1262 302
	(dual installation) (except Panel)	3, 4	1	1	1	1	1	1	-	1	1	1	1	1	1	1	1	1	1262 302
	Nut	3, 4	*	-	-	-	-	-	-	-	-	-	-	-	-	-	-	-	120 367
	Nut	3, 4	2	2	2	2	2	2	2	2	2	2	2	2	2	2	2	2	120 375
	Washer, lock	3, 4	*	-	-	-	-	-	-	-	-	-	-	-	-	-	-	-	174 916
	Washer, lock	-	2	2	2	2	2	2	2	2	2	2	2	2	2	2	2	2	121 753
8-55-8	GASKET, Mounting (Panel)	3, 4	*	-	-	-	-	-	-	-	-	-	-	-	-	-	-	-	1271 221
8-55-57	SOCKET, w/BRACKET (Panel)	3, 4	*	-	-	-	-	-	-	-	-	-	-	-	-	-	-	-	1154 380
8-55-75	BRACKET, Mounting (Panel)	1, 2	1	-	-	-	-	-	-	-	-	-	-	-	-	-	-	-	1194 552
	(Express) (left)	-	1	1	1	-	-	-	-	-	-	-	-	-	-	-	-	-	1194 605
	(Express) (right)	-	1	1	1	-	-	-	-	-	-	-	-	-	-	-	-	-	1194 604
	Screw or Bolt, 1/4"-20 x 5/8"	-	2	-	-	-	-	-	-	-	-	-	-	-	-	-	-	-	132 259
	Bolt, 5/16"-18 x 5/8"	-	2	2	2	-	-	-	-	-	-	-	-	-	-	-	-	-	120 228
	Nut	-	2	-	-	-	-	-	-	-	-	-	-	-	-	-	-	-	120 375
	Washer, lock	-	2	-	-	-	-	-	-	-	-	-	-	-	-	-	-	-	120 380
8-55-76	PAD, Tail Lamp Mounting Bracket (Panel)	1, 2	1	-	-	-	-	-	-	-	-	-	-	-	-	-	-	-	1242 974
8-55-88	BOLT, Bracket Mounting (Express)	-	2	2	2	-	-	-	-	-	-	-	-	-	-	-	-	-	617 049
8-55-111	ARM, Tail Lamp and License Bracket (except Panel and Express)	-	2	2	2	2	2	2	2	2	2	2	2	2	2	2	2	2	1271 214
	Bolt, 1/2"-20 x 1 1/4"	-	2	2	2	2	2	2	2	2	2	2	2	2	2	2	2	2	120 424
	Nut	-	2	2	2	2	2	2	2	2	2	2	2	2	2	2	2	2	120 371
	Washer, lock	-	2	2	2	2	2	2	2	2	2	2	2	2	2	2	2	2	120 384
8-55-136	HOUSING, Tail Lamp (Panel)	3, 4	2	-	-	-	-	-	-	-	-	-	-	-	-	-	-	-	1271 219
8-55-158	DOOR (Panel)	3, 4	*	-	-	-	-	-	-	-	-	-	-	-	-	-	-	-	1271 220
	SHELL, Door (Panel)	1, 2	1	-	-	-	-	-	-	-	-	-	-	-	-	-	-	-	628 949
	(except Panel)	-	1	1	1	1	1	1	1	1	1	1	1	1	1	1	1	1	628 949
	Screw, No. 10-32 x 1/2"	3, 4	*	-	-	-	-	-	-	-	-	-	-	-	-	-	-	-	155 194
8-55-159	SCREW, Door Mounting (Panel)	1, 2	2	-	-	-	-	-	-	-	-	-	-	-	-	-	-	-	378 987
	(except Panel)	-	2	2	2	2	2	2	2	2	2	2	2	2	2	2	2	2	378 987
8-55-195	LENS (Panel) (plain)	1, 2	*	-	-	-	-	-	-	-	-	-	-	-	-	-	-	-	1195 677
	w/Reflector BUTTON (Panel)	3, 4	*	-	-	-	-	-	-	-	-	-	-	-	-	-	-	-	1300 685
	(except Panel) (plain)	-	*	*	*	*	*	*	*	*	*	*	*	*	*	*	*	*	1195 677

★Indicates use as required.

Prices and specifications subject to change without notice.

□Indicates parts not listed in any previous parts books.

Series No. (1 indicates B-1 Series) (2 indicates B-2 Series) (3 indicates B-3 Series) (4 indicates B-4 Series)

Where no Series No. is shown part is for B-1, B-2, B-3 and B-4 Series.

CODE	PART NAME AND DESCRIPTION	SERIES NO.	MODEL CODES													PART NO.			
			B	C	D	F	G	H & HH	FM	GM	HM & HHM	J	JM	K	KM		R	T	V
TAIL LAMP - Cont'd																			
8-55-206	RETAINER, Lens	1,2	1	1	1	1	1	1	1	1	1	1	1	1	1	1	1	1	300 134
	(except Panel)	3,4	1	1	1	1	1	1	-	1	1	1	1	1	1	1	1	1	300 134
	Screw, No. 6-32 x 7/16"	-	2	2	2	2	2	2	2	2	2	2	2	2	2	2	2	2	133 225
8-55-214	GASKET, Lens (Panel)	1,2	1	-	-	-	-	-	-	-	-	-	-	-	-	-	-	-	300 133
	(Panel)	3,4	★	-	-	-	-	-	-	-	-	-	-	-	-	-	-	-	1271 222
	(except Panel)	-	1	1	1	1	1	1	1	1	1	1	1	1	1	1	1	1	300 133
8-55-220	BUTTON, Reflector, w/RETAINER (Panel)	3,4	★	-	-	-	-	-	-	-	-	-	-	-	-	-	-	-	1244 981
8-55-225	GASKET, Reflector (Panel)	3,4	★	-	-	-	-	-	-	-	-	-	-	-	-	-	-	-	1244 982
8-55-235	LENS, License	1,2	1	1	1	1	1	1	1	1	1	1	1	1	1	1	1	1	300 137
	(except Panel)	3,4	1	1	1	1	1	1	1	1	1	1	1	1	1	1	1	1	300 137
8-55-236	RETAINER, License Lens	1,2	2	2	2	2	2	2	2	2	2	2	2	2	2	2	2	2	300 139
	(except Panel)	3,4	2	2	2	2	2	2	2	2	2	2	2	2	2	2	2	2	300 139
	Screw, No. 6-32 x 7/16"	-	-	-	-	-	-	-	-	-	-	-	-	-	-	-	-	-	133 225
8-55-237	GASKET, License Lens	1,2	1	1	1	1	1	1	1	1	1	1	1	1	1	1	1	1	300 138
	(except Panel)	3,4	1	1	1	1	1	1	-	1	1	1	1	1	1	1	1	1	300 138
8-55-265	CABLE (specify 20" of 211 318 Cable, 1-665151 Terminal, 1-916055 Contact)	1,2	★	★	★	★	★	★	★	★	★	★	★	★	★	★	★	★	----
	(specify 20" of 211 318 Cable, 1-665151 Terminal, 1-916055 Contact) (except Panel)	3,4	★	★	★	★	★	★	★	★	★	★	★	★	★	★	★	★	----
8-55-273	CONNECTOR, Extension Cable "Y"	-	1	1	1	1	1	1	1	1	1	1	1	1	1	1	1	1	689 867
8-55-293	SPRING, Socket (Panel)	3,4	★	-	-	-	-	-	-	-	-	-	-	-	-	-	-	-	44 758
8-55-294	CLIP, Cable	3,4	★	-	-	-	-	-	-	-	-	-	-	-	-	-	-	-	639 853
8-55-300	CONTACT, Cable (Panel)	1,2	1	-	-	-	-	-	-	-	-	-	-	-	-	-	-	-	916 055
	(Panel)	3,4	★	-	-	-	-	-	-	-	-	-	-	-	-	-	-	-	657 572
	(except Panel)	-	1	1	1	1	1	1	1	1	1	1	1	1	1	1	1	1	916 055
8-55-301	INSULATOR, Socket (Panel)	3,4	★	-	-	-	-	-	-	-	-	-	-	-	-	-	-	-	858 245
	Cable Contact	1,2	1	1	1	1	1	1	1	1	1	1	1	1	1	1	1	1	1189 541
	(except Panel)	3,4	1	1	1	1	1	1	-	1	1	1	1	1	1	1	1	1	1189 541
LICENSE LAMP																			
8-57-18	BRACKET, Mounting (Panel)	3,4	1	-	-	-	-	-	-	-	-	-	-	-	-	-	-	-	1271 163
	Screw, No. 10-32 x 1/2"	-	2	-	-	-	-	-	-	-	-	-	-	-	-	-	-	-	155 194
	Washer, lock	-	2	-	-	-	-	-	-	-	-	-	-	-	-	-	-	-	120 217
8-57-30	HOUSING, w/SOCKET (Panel)	3,4	1	-	-	-	-	-	-	-	-	-	-	-	-	-	-	-	1271 158
8-57-55	LENS (Panel)	3,4	1	-	-	-	-	-	-	-	-	-	-	-	-	-	-	-	1271 162
8-57-56	GASKET, Lens (Panel)	3,4	1	-	-	-	-	-	-	-	-	-	-	-	-	-	-	-	1271 161
8-57-89	SPRING, Cable (Panel)	3,4	2	-	-	-	-	-	-	-	-	-	-	-	-	-	-	-	44 758
8-57-90	INSULATOR, Cable (Panel)	3,4	1	-	-	-	-	-	-	-	-	-	-	-	-	-	-	-	684 775
8-57-109	CONTACT, Cable (Panel)	3,4	1	-	-	-	-	-	-	-	-	-	-	-	-	-	-	-	657 572
STOP LAMP OR SIGNAL SWITCH																			
8-58-60	SWITCH	-	1	1	1	1	1	1	1	1	1	1	1	1	1	1	1	1	862 556
	Bolt, 1/4" -28 x 1 1/4"	-	-	-	-	-	-	-	-	-	-	-	-	-	2	2	2	2	123 737
	Nut	-	-	-	-	-	-	-	-	-	-	-	-	-	2	2	2	2	120 367
	Washer, lock	-	-	-	-	-	-	-	-	-	-	-	-	-	2	2	2	2	120 380
8-58-63	CLIP, Terminal	-	★	★	★	★	★	★	★	★	★	★	★	★	★	★	★	★	677 113
8-58-94	WIRING, Stop Lamp Switch Extension (for Air Brake) (specify 136" of 211 318 Cable, 2-665151 Terminal, 2-200393 Terminal, 2-1264933 Sleeve)	-	-	-	-	-	-	-	-	-	-	-	-	-	★	★	★	★	----

★ Indicates use as required.

Prices and specifications subject to change without notice.

☐ Indicates parts not listed in any previous parts books.

Series No. (1 indicates B-1 Series) (2 indicates B-2 Series) (3 indicates B-3 Series) (4 indicates B-4 Series)

Where no Series No. is shown part is for B-1, B-2, B-3 and B-4 Series.

Printed in U.S.A.