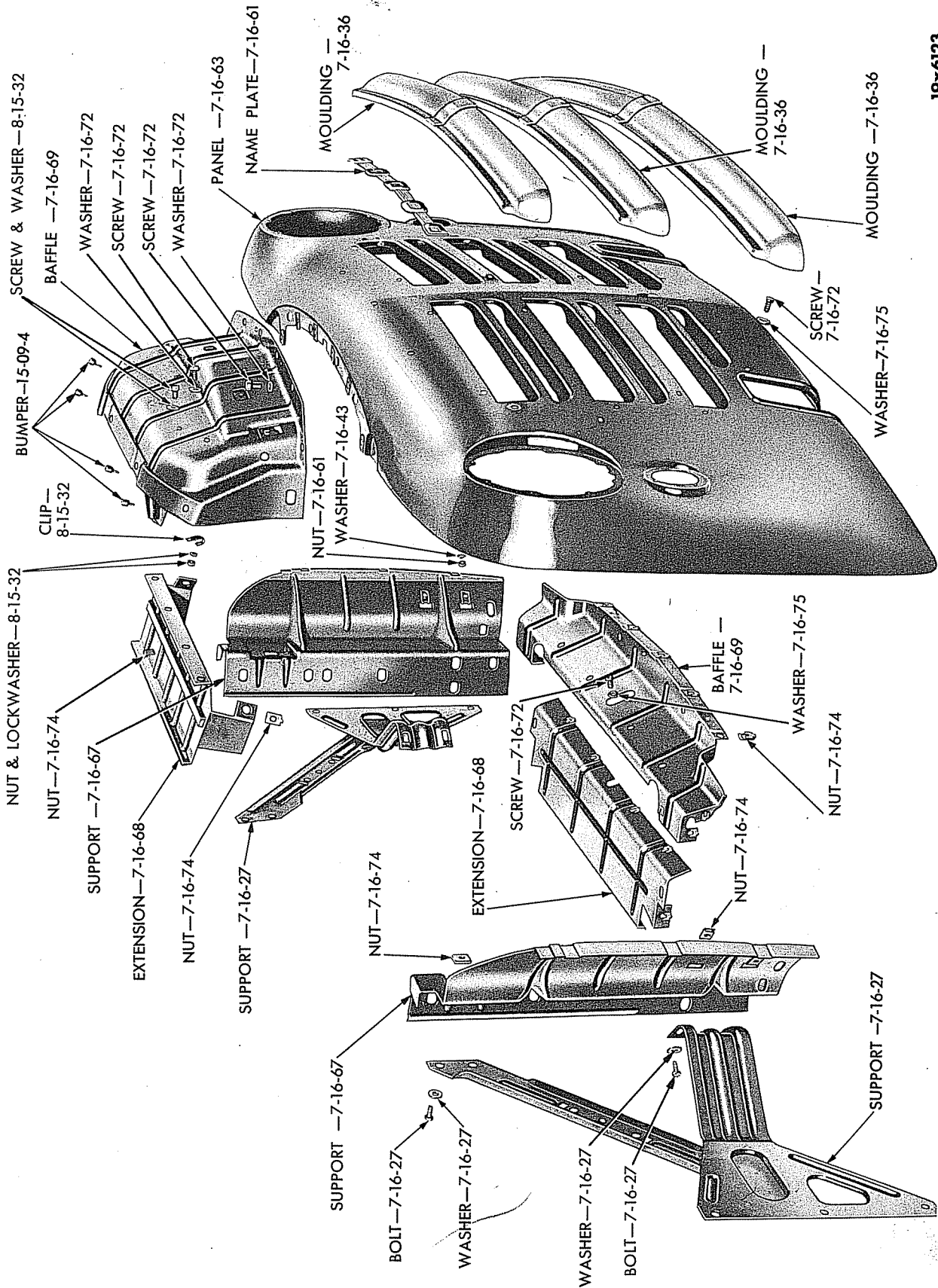


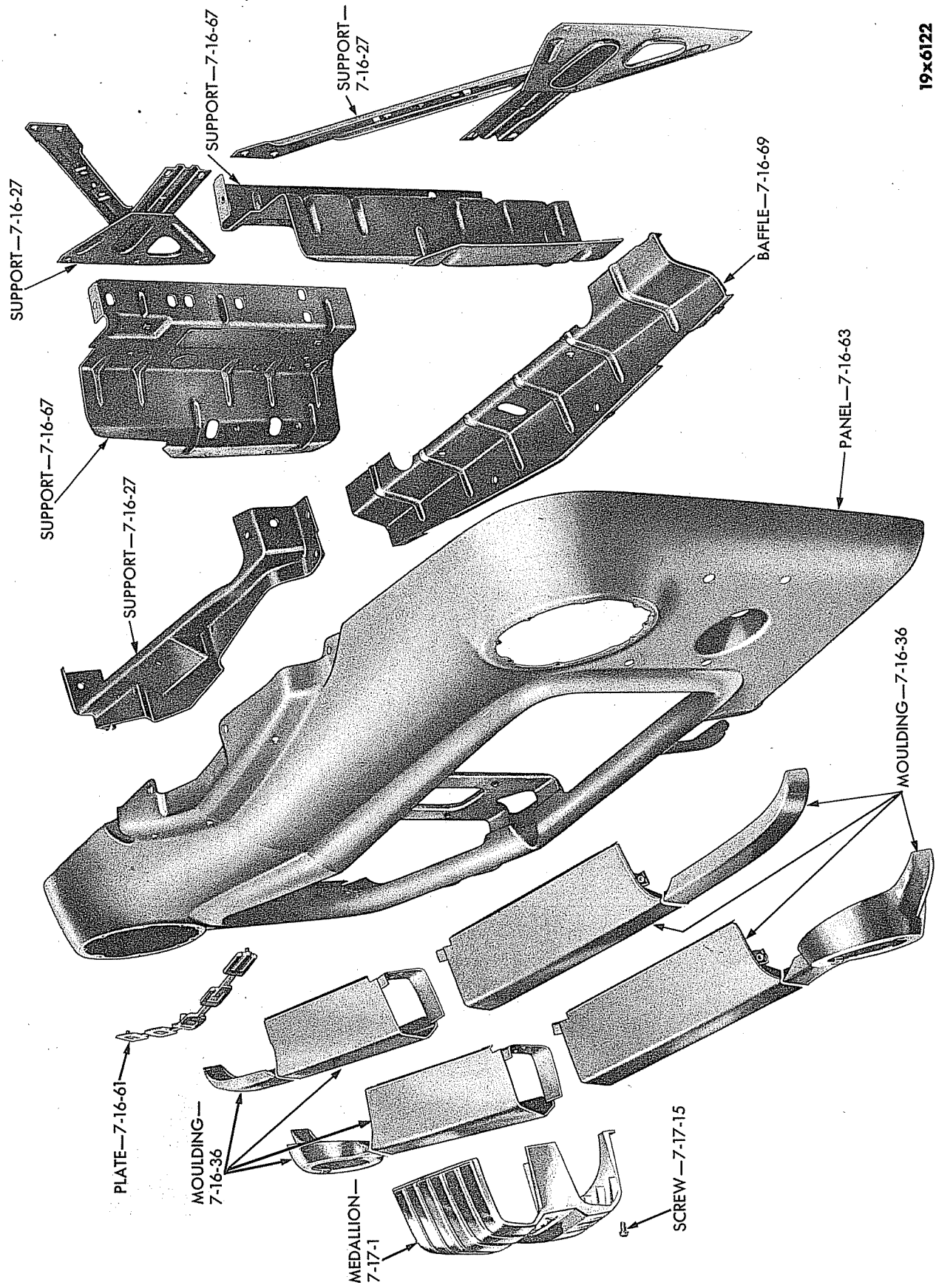
GROUP 7 - COOLING



19x6123

RADIATOR GRILLE (B-1 and B-2 SERIES) (EXPLODED VIEW)

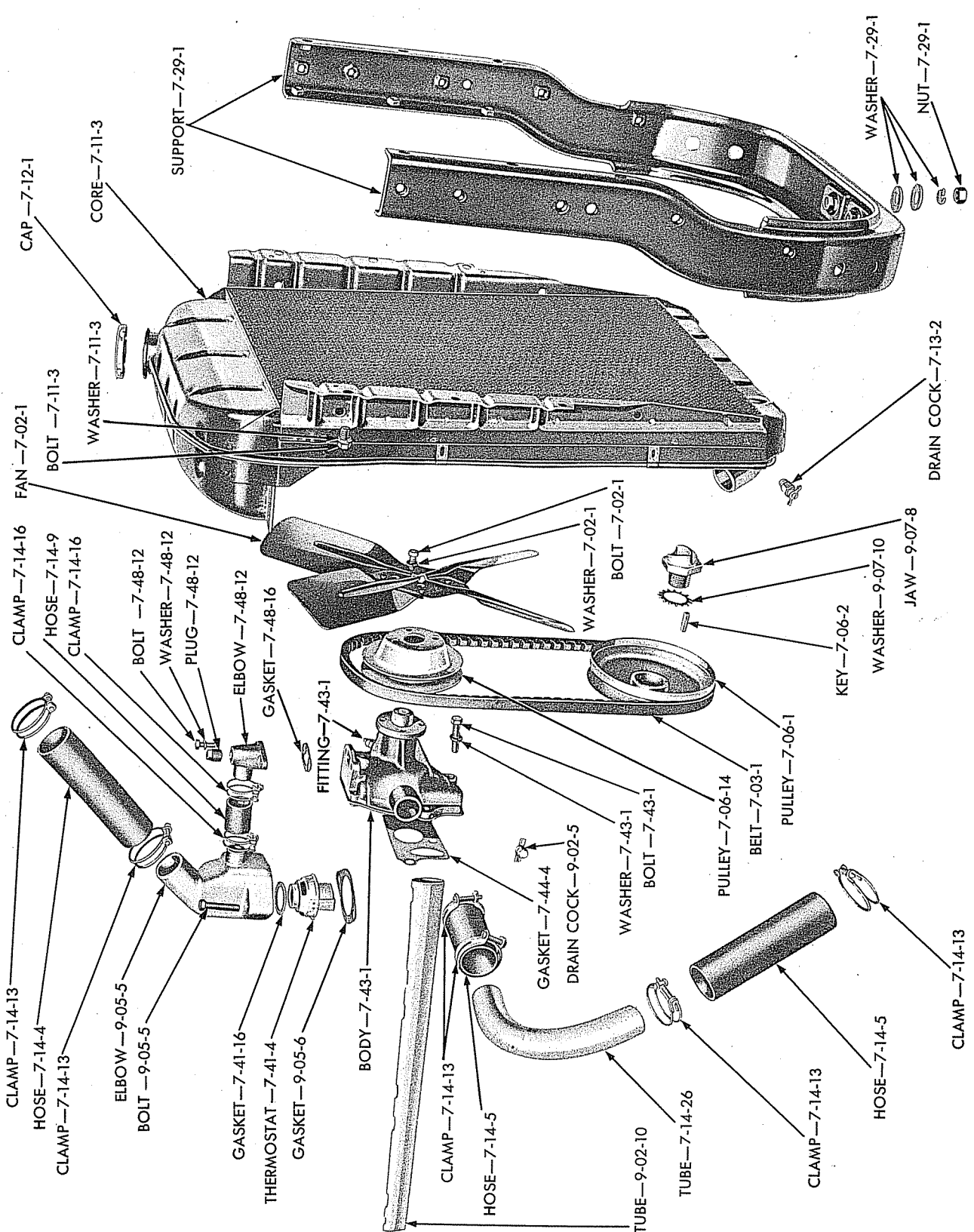
Plate 7-1



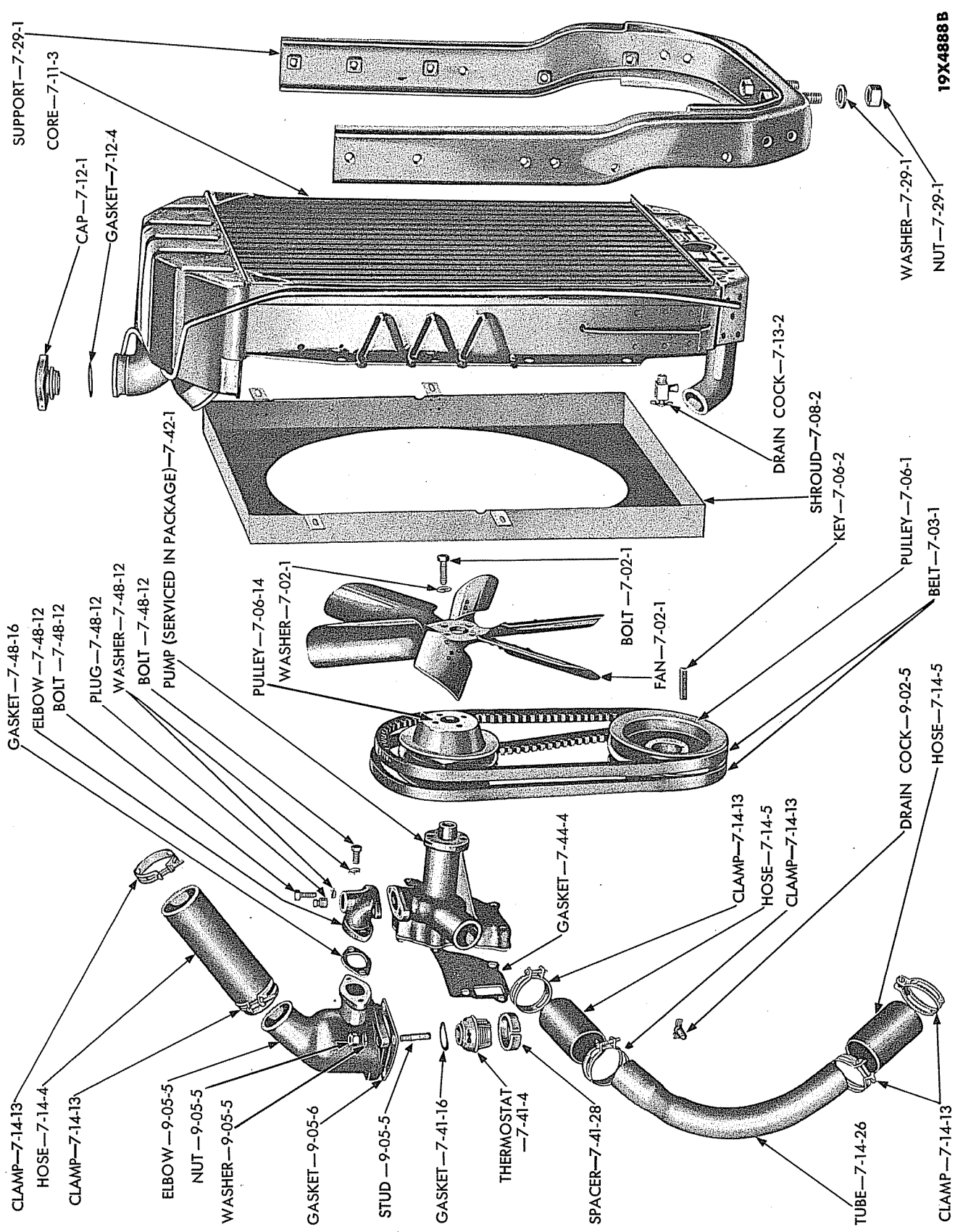
19x6122

RADIATOR GRILLE (B-3 and B-4 SERIES) (EXPLODED VIEW)

Plate 7-2



COOLING SYSTEM (F THRU KM) (EXPLODED VIEW)



COOLING SYSTEM (R, T, V AND Y MODELS) (EXPLODED VIEW)

Plate 7-4

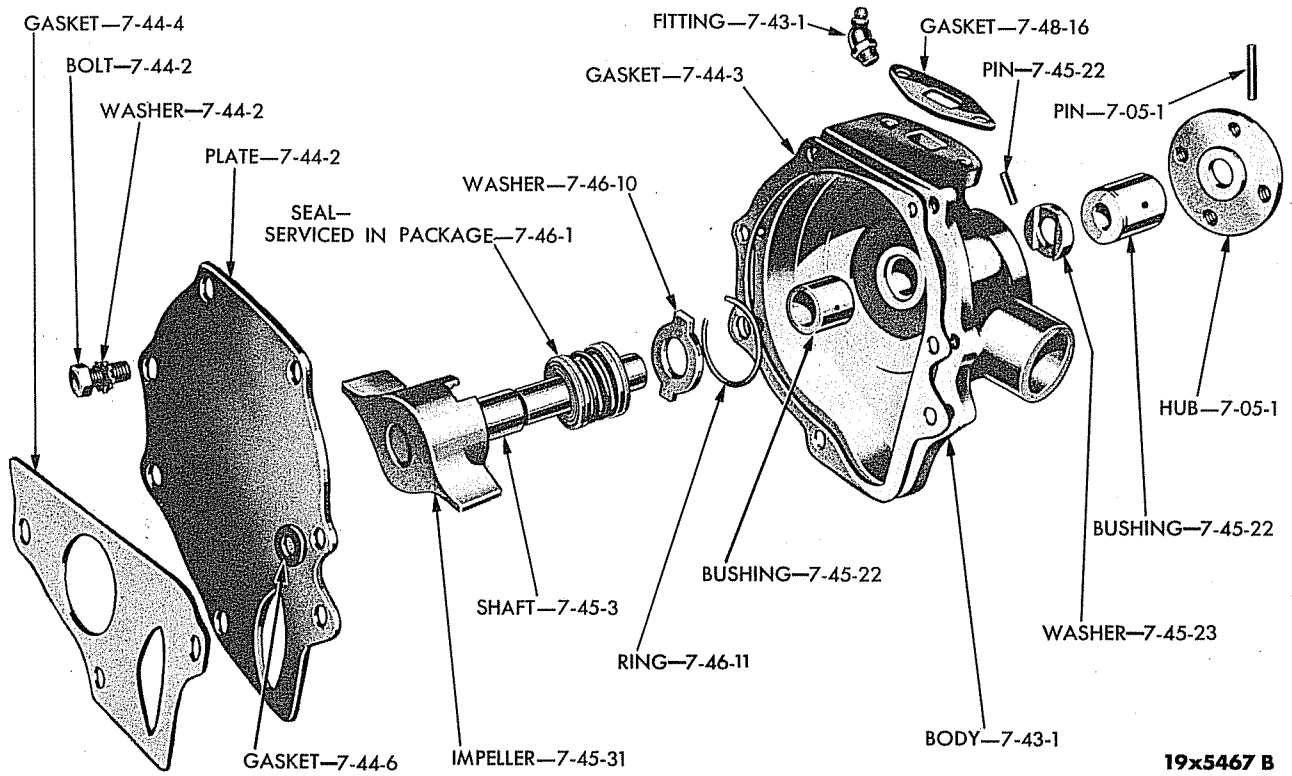


Plate 7-5 WATER PUMP (B-1 and B-2 SERIES) (1/2, 3/4 and 1 TON) (EXPLODED VIEW)

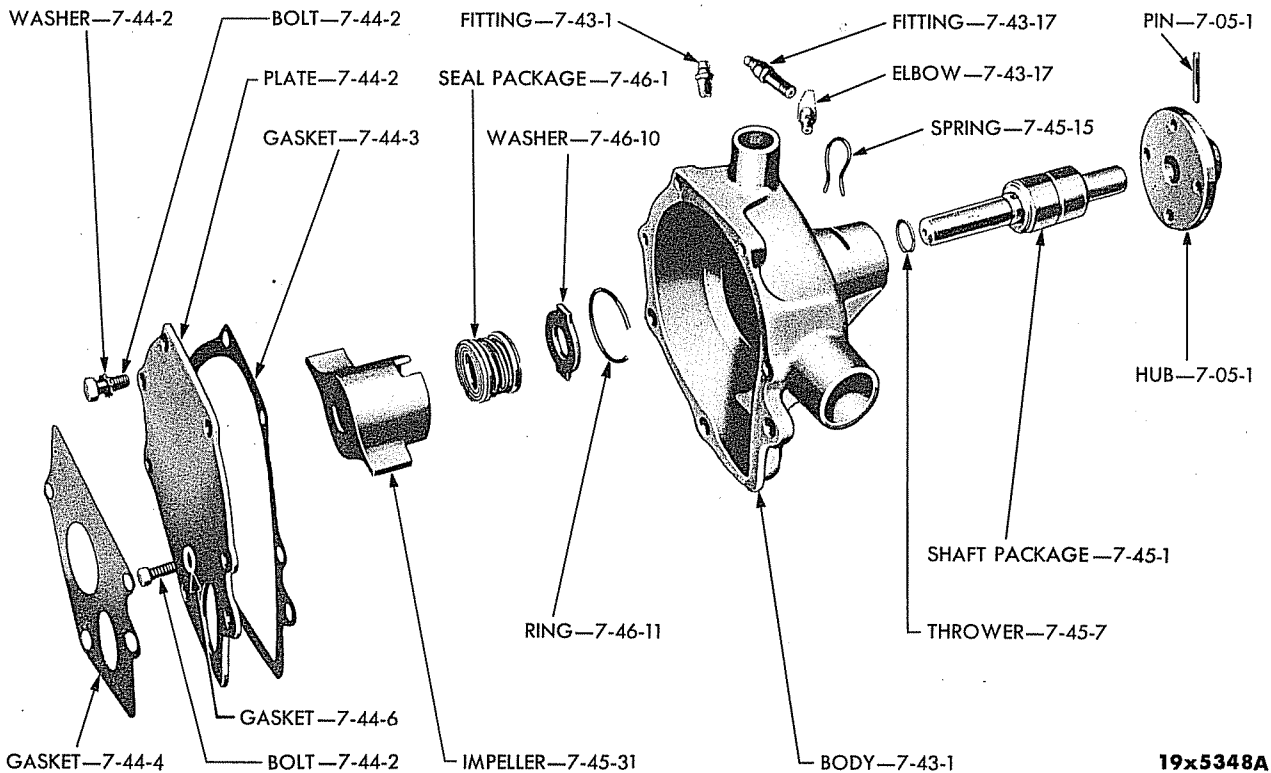


Plate 7-6 WATER PUMP (F thru KM) (EXPLODED VIEW)

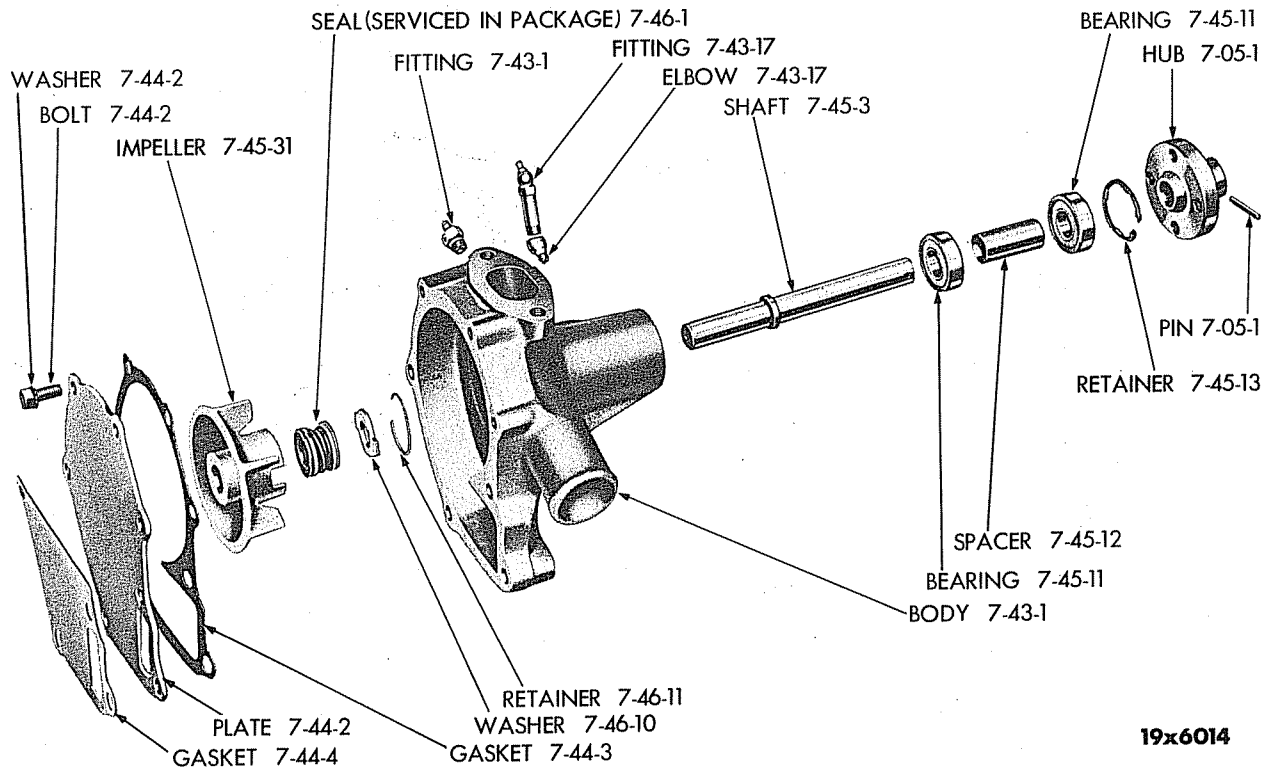


Plate 7-7

WATER PUMP (R, T, V AND Y MODELS) (EXPLODED VIEW)

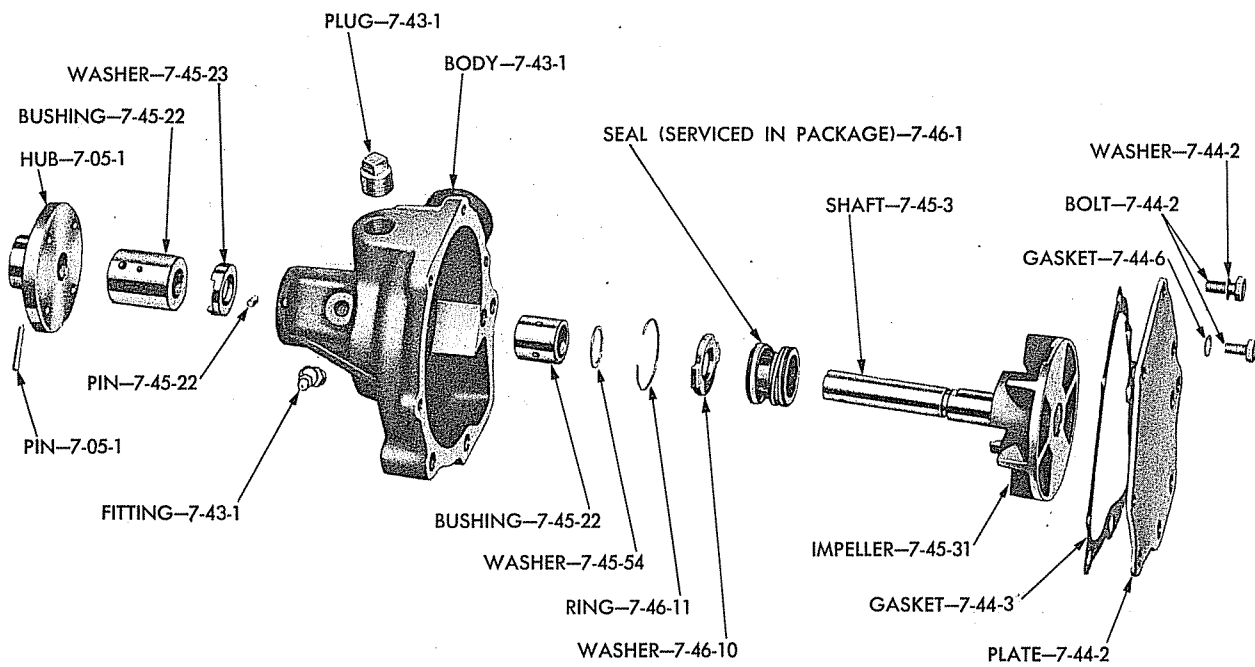


Plate 7-8

WATER PUMP (B-3 and B-4 SERIES) (1/2, 3/4 and 1 TON) (EXPLODED VIEW)

CODE	PART NAME AND DESCRIPTION	SERIES NO.	MODEL CODES													PART NO.			
			B	C	D	F	G	H & HH	FM	GM	HM & HHM	J	JM	K	KM		R	T	V
FAN																			
7-02-1	FAN	1, 2	1	1	-	-	-	-	-	-	-	-	-	-	-	-	-	-	606 133
		3, 4	-	-	1	-	-	-	-	-	-	-	-	-	-	-	-	-	E1405 845
	Bolt, 5/16"-18 x 5/8"	1, 2	4	4	-	-	-	-	-	-	-	-	-	-	-	-	-	-	606 133
	Bolt, 5/16"-18 x 7/8"	1, 2	-	-	4	-	-	-	-	-	-	-	-	-	-	-	-	-	120 228
	Bolt, 5/16"-18 x 3/4"	3, 4	4	4	4	-	-	-	-	-	-	-	-	-	-	-	-	-	120 229
	Washer, lock	-	4	4	4	-	-	-	-	-	-	-	-	-	-	-	-	-	122 007
	FAN	1, 2	-	-	-	1	1	1	1	1	1	1	1	1	-	-	-	-	120 214
	(Domestic)	3, 4	-	-	-	1	1	1	-	1	1	-	-	-	-	-	-	-	920 113
	(Export)	3, 4	-	-	-	1	1	1	-	1	1	-	-	-	-	-	-	-	E1405 845
	(Domestic)	3	-	-	-	-	-	-	-	-	1	1	1	1	-	-	-	-	920 113
	(Export)	3	-	-	-	-	-	-	-	-	1	1	1	1	-	-	-	-	E1405 845
	(Domestic)	4	-	-	-	-	-	-	-	-	1	1	1	1	-	-	-	-	920 113
	(Export)	4	-	-	-	-	-	-	-	-	1	1	1	1	-	-	-	-	E1390 776
	Bolt, 5/16"-18 x 5/8"	1, 2	-	-	-	4	4	4	4	4	4	4	4	4	-	-	-	-	E1391 024
	Bolt, 5/16"-18 x 1 1/4"	3, 4	-	-	-	4	4	-	-	4	-	-	-	-	-	-	-	-	120 228
	Bolt, 5/16"-18 x 5/8"	3	-	-	-	-	-	4	-	4	4	4	4	4	-	-	-	-	122 052
	Bolt, 5/16"-18 x 1"	4	-	-	-	-	-	4	-	4	4	4	4	4	-	-	-	-	120 228
	Washer, lock	-	-	-	-	4	4	4	4	4	4	4	4	4	-	-	-	-	122 017
	FAN	1	-	-	-	-	-	-	-	-	-	-	-	-	1	-	-	-	120 214
	(Domestic) (std. 3" radiator core)	2, 3, 4	-	-	-	-	-	-	-	-	-	-	-	-	1	-	-	-	920 113
	(Domestic) (heavy duty 4" radiator core)	3, 4	-	-	-	-	-	-	-	-	-	-	-	-	1	-	-	-	1091 120
	(Export)	2, 3, 4	-	-	-	-	-	-	-	-	-	-	-	-	1	-	-	-	1091 120
		-	-	-	-	-	-	-	-	-	-	-	-	-	-	1	1	-	1091 120
		-	-	-	-	-	-	-	-	-	-	-	-	-	-	-	-	1	1266 889
	Bolt, 5/16"-24 x 1 1/4"	1, 2	-	-	-	-	-	-	-	-	-	-	-	-	4	4	4	-	123 774
	Bolt, 5/16"-24 x 1 1/2"	3, 4	-	-	-	-	-	-	-	-	-	-	-	-	4	4	4	-	123 785
	Bolt, 5/16"-24 x 2"	-	-	-	-	-	-	-	-	-	-	-	-	-	-	-	-	4	121 783
	Washer, lock	-	-	-	-	-	-	-	-	-	-	-	-	-	4	4	4	4	120 214
7-02-16	SPACER	3, 4	-	-	1	1	-	-	1	-	-	-	-	-	-	-	-	-	E1330 593
	(Export)	3	-	-	-	-	1	-	-	1	1	1	1	1	-	-	-	-	920 544
	(Domestic)	4	-	-	-	-	2	-	-	2	-	2	-	-	-	-	-	-	920 544
		4	-	-	-	-	-	-	-	2	-	2	-	2	-	-	-	-	920 544
		1	-	-	-	-	-	-	-	-	-	-	-	-	1	-	-	-	920 544
	(Domestic)	2	-	-	-	-	-	-	-	-	-	-	-	-	1	-	-	-	920 544
		3, 4	-	-	-	-	-	-	-	-	-	-	-	-	★	★	★	-	920 544
		-	-	-	-	-	-	-	-	-	-	-	-	-	-	-	-	1	1266 890
FAN AND GENERATOR BELT																			
7-03-1	BELT	1, 2	1	1	1	-	-	-	-	-	-	-	-	-	-	-	-	-	1191 449
		3, 4	1	1	1	-	-	-	-	-	-	-	-	-	-	-	-	-	1324 963
	(use with std. generator w/o air compressor)	1	-	-	-	1	1	1	1	1	1	1	1	1	-	-	-	-	1263 790
	(use with low speed cut-in generator w/o air compressor) (B-1-R up to serial No. 81856394; B-1-T and B-1-V up to serial No. 81790319)	1	-	-	-	-	-	-	-	-	-	-	-	-	2	2	2	-	1116 207
	(use with low speed cut-in generator w/o air compressor) (B-1-R after serial No. 81856394; B-1-T and B-1-V after serial No. 81790319)	1	-	-	-	-	-	-	-	-	-	-	-	-	2	2	2	-	1190 577
	(use w/o air compressor)	2, 3, 4	-	-	-	-	-	-	-	-	-	-	-	-	2	2	2	2	1263 873
	(use w/air compressor)	-	-	-	-	-	-	-	-	-	-	-	-	-	1	1	1	1	1116 207

★ Indicates use as required.

Prices and specifications subject to change without notice.

☐ Indicates parts not listed in any previous parts books.

Series No. (1 indicates B-1 Series) (2 indicates B-2 Series) (3 indicates B-3 Series) (4 indicates B-4 Series)

Where no Series No. is shown part is for B-1, B-2, B-3 and B-4 Series.

CODE	PART NAME AND DESCRIPTION	SERIES NO.	MODEL CODES													PART NO.			
			B	C	D	F	G	H & HH	FM	GM	HM & HHM	J	JM	K	KM		R	T	V
FAN PULLEY HUB																			
7-05-1	HUB	-	1	1	1	-	-	-	-	-	-	-	-	-	-	-	-	-	633 733
		-	-	-	-	1	1	1	1	1	1	1	1	1	1	1	1	1	1121 706
		-	-	-	-	-	-	-	-	-	-	-	-	-	-	-	-	-	863 200
	Pin, stght.	-	1	1	1	1	1	1	1	1	1	1	1	1	1	1	1	1	136 301
FAN PULLEY																			
7-06-1	PULLEY, Drive (lower)	1,2	1	1	1	-	-	-	-	-	-	-	-	-	-	-	-	-	633 735
	Drive (lower) (up to engine No. T306 - 126 311)	3,4	1	1	-	-	-	-	-	-	-	-	-	-	-	-	-	-	*1319 422
	(lower) (after engine No. T306 - 126 311)	3,4	1	1	-	-	-	-	-	-	-	-	-	-	-	-	-	-	E1402 970
		3,4	-	-	1	-	-	-	-	-	-	-	-	-	-	-	-	-	*1319 422
		-	-	-	-	1	1	1	1	1	-	-	-	-	-	-	-	-	954 116
		1,2,3	-	-	-	-	-	-	-	-	1	1	1	1	-	-	-	-	954 116
		4	-	-	-	-	-	-	-	-	1	1	1	1	-	-	-	-	1402 105
	(use w/o vibration damper)	-	-	-	-	-	-	-	-	-	-	-	-	-	1	1	1	-	670 368
	(use w/vibration damper)	-	-	-	-	-	-	-	-	-	-	-	-	-	1	1	1	-	1138 067
		-	-	-	-	-	-	-	-	-	-	-	-	-	-	-	-	1	1138 067
7-06-2	KEY, Drive Pulley	-	1	1	1	1	1	1	1	1	1	1	1	1	1	1	1	1	52 570
7-06-14	PULLEY, Driven (upper)	1,2	1	1	1	-	-	-	-	-	-	-	-	-	-	-	-	-	641 700
		3,4	1	1	1	-	-	-	-	-	-	-	-	-	-	-	-	-	1324 962
		-	-	-	-	1	1	-	1	1	-	-	-	-	-	-	-	-	670 500
		1,2	-	-	-	-	-	-	-	-	1	1	1	1	-	-	-	-	670 500
		3	-	-	-	-	-	-	-	-	1	-	-	-	-	-	-	-	954 047
		4	-	-	-	-	-	-	-	-	1	-	-	-	-	-	-	-	670 500
		3,4	-	-	-	-	-	-	-	-	1	1	1	1	-	-	-	-	954 047
		-	-	-	-	-	-	-	-	-	-	-	-	-	1	1	1	1	676 541
FAN SHROUD																			
7-08-2	SHROUD (Domestic)	3	-	-	-	-	-	1	-	-	1	1	1	1	1	-	-	-	1272 732
	(Export)	3	-	-	-	-	-	1	-	-	1	1	1	1	1	-	-	-	1272 774
	(Domestic)	4	-	-	-	-	-	1	-	-	1	1	1	1	1	-	-	-	1391 027
	(Export)	4	-	-	-	1	1	1	-	-	1	1	1	1	1	-	-	-	1391 028
		-	-	-	-	-	-	-	-	-	-	-	-	-	1	1	1	-	1195 942
		3,4	-	-	-	-	-	-	-	-	-	-	-	-	-	-	-	1	1273 032
RADIATOR CORE																			
7-11-3	CORE (also specify 1 of 795 519 Cap)	1,2	1	-	-	-	-	-	-	-	-	-	-	-	-	-	-	-	1272 945
		3,4	1	1	-	-	-	-	-	-	-	-	-	-	-	-	-	-	1272 945
	(also specify 1 of 795 519 Cap)	1,2	-	1	1	-	-	-	-	-	-	-	-	-	-	-	-	-	*1272 947
		3,4	-	-	1	-	-	-	-	-	-	-	-	-	-	-	-	-	1272 947
		1,2	-	-	-	1	1	1	1	1	-	-	-	-	-	-	-	-	1195 183
		3	-	-	-	1	1	1	-	1	1	-	-	-	-	-	-	-	1272 802
		4	-	-	-	1	1	1	-	1	-	-	-	-	-	-	-	-	1393 353
		1,2	-	-	-	-	-	-	-	-	1	1	1	1	-	-	-	-	1195 185
		3,4	-	-	-	-	-	-	-	-	1	1	1	1	-	-	-	-	1272 803
	(3" wide)	-	-	-	-	-	-	-	-	-	-	-	-	-	1	-	-	-	1272 901
	(4" wide)	-	-	-	-	-	-	-	-	-	-	-	-	-	1	-	-	-	1272 902
	(also specify 1 of 1346 849 Cap)	1,2	-	-	-	-	-	-	-	-	-	-	-	-	-	1	1	-	1272 902
		3,4	-	-	-	-	-	-	-	-	-	-	-	-	-	1	1	-	1272 902
		2	-	-	-	-	-	-	-	-	-	-	-	-	-	-	-	1	1266 927
		3	-	-	-	-	-	-	-	-	-	-	-	-	-	-	-	1	1272 917
		4	-	-	-	-	-	-	-	-	-	-	-	-	-	-	-	1	1502 850
	Bolt, 3/8"-24 x 3/4"	-	6	6	6	-	-	-	-	-	-	-	-	-	-	-	-	-	123 520

★Indicates use as required.

⊠Indicates parts not listed in any previous parts books.

Series No. (1 indicates B-1 Series) (2 indicates B-2 Series) (3 indicates B-3 Series) (4 indicates B-4 Series)

Where no Series No. is shown part is for B-1, B-2, B-3 and B-4 Series.

April 6, 1953 Supersedes Dec. 31, 1952.

Prices and specifications subject to change without notice.

Printed in U.S.A.

* Indicates change or addition.

CODE	PART NAME AND DESCRIPTION	SERIES NO.	MODEL CODES													PART NO.				
			B	C	D	F	G	H & HH	FM	GM	HM & HHM	J	JM	K	KM		R	T	V	Y
RADIATOR CORE - Cont'd																				
	Bolt, 3/8"-24 x 3/4"	1,2	-	-	-	6	6	6	6	6	6	6	6	6	6	-	-	-	-	123 520
	Bolt, 3/8"-24 x 1"	3,4	-	-	-	6	6	6	-	6	6	6	6	6	6	-	-	-	-	120 647
	Bolt, 3/8"-24 x 1"	-	-	-	-	-	-	-	-	-	-	-	-	-	-	6	6	6	6	120 647
	Washer, lock	-	6	6	6	6	6	6	6	6	6	6	6	6	6	6	6	6	6	120 382
	Washer, plain	-	6	6	6	6	6	6	6	6	6	6	6	6	6	6	6	6	6	120 394
RADIATOR FILLER CAP																				
7-12-1	CAP	1,2	1	1	1	1	1	1	1	1	1	1	1	1	1	-	-	-	-	776 379
		3,4	1	1	1	1	1	1	-	1	1	1	1	1	1	-	-	-	-	795 519
		1	-	-	-	-	-	-	-	-	-	-	-	-	-	1	1	1	-	923 190
	(B-2-R up to serial No. 81859408 Det. Built; B-2-T and B-2-V up to serial No. 81793961 Det. Built; B-2-Y up to serial No. 8301713 Det. Built)	2	-	-	-	-	-	-	-	-	-	-	-	-	-	1	1	1	1	923 190
	(B-2-R after serial No. 81859408 Det. and all Cal. Built; B-2-T and B-2-V after serial No. 81793961 Det. and all Cal. Built; B-2-Y after serial No. 8301713 Det. and all Cal. Built)	2	-	-	-	-	-	-	-	-	-	-	-	-	-	1	1	1	1	1271 353
		3,4	-	-	-	-	-	-	-	-	-	-	-	-	-	1	1	1	1	1346 849
7-12-4	GASKET	1,2	-	-	-	-	-	-	-	-	-	-	-	-	-	1	1	1	1	920 746
RADIATOR DRAIN COCK																				
7-13-2	DRAIN COCK (B-3-B up to serial No. 82285790 Det. and 85317351 S.L., B-3-C up to serial No. 83381790 Det. and 85513072 S.L., B-3-D up to serial No. 81457620 Det. and 86011595 S.L., B-3-F up to serial No. 80403108 Det. and 86514773 S.L., B-3-G up to serial No. 80096651 Det. and 86601709 S.L., B-3-H up to serial No. 82605172 Det. and 85603458 S.L., B-3-GM up to serial No. 83702291 Det. and 85801118 S.L., B-3-HM up to serial No. 8742866 Det. and 88501234 S.L.; B-3-J and B-3-K up to serial No. 82834529 Det. and 88601498 S.L., B-3-JM and B-3-KM up to serial No. 82952656 Det. and 88680226 S.L.)	1,2,3	1	1	1	1	1	1	-	1	1	1	1	1	1	-	-	-	-	1193 567
	(B-3-R up to serial No. 81862082; B-3-T and B-3-V up to serial No. 81797313; B-3-Y up to serial No. 8303539)	1,2,3	-	-	-	-	-	-	-	-	-	-	-	-	-	1	1	1	1	907 782

★ Indicates use as required.

Prices and specifications subject to change without notice.

☐ Indicates parts not listed in any previous parts books.

Series No. (1 indicates B-1 Series) (2 indicates B-2 Series) (3 indicates B-3 Series) (4 indicates B-4 Series)

Where no Series No. is shown part is for B-1, B-2, B-3 and B-4 Series.

* Indicates change or addition.

CODE	PART NAME AND DESCRIPTION	SERIES NO.	MODEL CODES													PART NO.				
			B	C	D	F	G	H & HH	FM	GM	HM & HHM	J	JM	K	KM		R	T	V	Y
RADIATOR DRAIN COCK - Cont'd																				
7-13-2	DRAIN COCK (B-3-B after serial No. 82285790 Det. and 85317351 S.L., B-3-C after serial No. 83381790 Det. and 85513072 S.L., B-3-D after serial No. 81457620 Det. and 86011595 S.L., B-3-F after serial No. 80403108 Det. and 86514773 S.L., B-3-G after serial No. 80096651 Det. and 86601709 S.L., B-3-H after serial No. 82605172 Det. and 85603458 S.L., B-3-GM after serial No. 83702291 Det. and 85801118 S.L., B-3-HM after serial No. 8742866 Det. and 88501234 S.L., B-3-J and B-3-K after serial No. 82834529 Det. and 88601498 S.L., B-3-JM and B-3-KM after serial No. 82952656 Det. and 88680226 S.L., B-3-R after serial No. 81862082; B-3-T and B-3-Y after serial No. 81797313; B-3-Y after serial No. 8303539)	1, 2, 3 4	1 1	1 1	1 1	1 1	1 1	1 1	- -	1 -	1 1	1 1	1 1	1 1	1 1	1 1	1 1	1 1	1 1	863 015 863 015
RADIATOR TUBE AND HOSES																				
7-14-1	HOSE (1" I.D., 3 ft. lgh.) (1 1/2" I.D., 3 ft. lgh.) (1 3/4" I.D., 3 ft. lgh.) (2 1/8" I.D., 3 ft. lgh.)	- - - -	★ ★ ★ -	★ ★ ★ -	★ ★ ★ -	- ★ ★ -	- ★ ★ -	- ★ ★ -	- ★ ★ -	- ★ ★ -	- ★ ★ -	- ★ ★ -	- ★ ★ -	- ★ ★ -	- ★ ★ -	- ★ ★ -	- ★ ★ -	- ★ ★ -	- ★ ★ -	734 748 734 737 734 749 734 738
7-14-4	HOSE, Inlet (specify 7 1/4" of 734 749 Hose). (specify 7 1/4" of 734 749 Hose) (up to engine No. T172-100902). (after engine No. T172-100902). (specify 7 1/4" of 734 749 Hose). (specify 7 1/4" of 734 749 Hose). (specify 8 3/4" of 734 738 Hose).	1 2 2 3, 4 1, 2 -	1 1 1 1 -	1 1 1 1 -	- - - - -	- - - - -	- - - - -	- - - - -	- - - - -	- - - - -	- - - - -	- - - - -	- - - - -	- - - - -	- - - - -	- - - - -	- - - - -	- - - - -	- - - - -	----- ----- 1272 173 1272 173 ----- ----- -----
7-14-5	HOSE, Outlet (upper) (specify 3 3/4" of 734 737 Hose) (upper) (specify 3 1/4" of 734 737 Hose) (lower) (specify 6 3/4" of 734 737 Hose) (upper and lower) (specify 3 3/4" of 734 749 Hose)	- - - -	1 - 1 -	1 - 1 -	- - 1 -	- - 1 -	- - 1 -	- - 1 -	- - 1 -	- - 1 -	- - 1 -	- - 1 -	- - 1 -	- - 1 -	- - 1 -	- - 1 -	- - 1 -	- - 1 -	- - 1 -	----- ----- ----- ----- -----

★ Indicates use as required.

⊠ Indicates parts not listed in any previous parts books.

Series No. (1 indicates B-1 Series) (2 indicates B-2 Series) (3 indicates B-3 Series) (4 indicates B-4 Series)

Where no Series No. is shown part is for B-1, B-2, B-3 and B-4 Series.

December 31, 1952

Prices and specifications subject to change without notice.

CODE	PART NAME AND DESCRIPTION	SERIES NO.	MODEL CODES													PART NO.			
			B	C	D	F	G	H & HH	FM	GM	HM & HHM	J	JM	K	KM		R	T	V
RADIATOR TUBE AND HOSES - Cont'd																			
7-14-9	HOSE, Water Pump By-Pass (specify 1 5/8" of 734 748 Hose). (specify 1 5/8" of 734 748 Hose) (up to engine No. T172-100902). (specify 1 5/8" of 734 748 Hose).	1	1	1	-	-	-	-	-	-	-	-	-	-	-	-	-	-	----
		2	1	1	-	-	-	-	-	-	-	-	-	-	-	-	-	-	----
		1, 2	-	-	1	-	-	-	-	-	-	-	-	-	-	-	-	-	----
7-14-13	CLAMP, Inlet Hose	-	2	2	2	2	2	2	2	2	2	2	2	2	2	2	2	2	870 469
	Outlet Hose	-	4	4	4	4	4	4	4	4	4	4	4	4	4	4	4	4	105 479
	Outlet Hose	-	-	-	-	-	-	-	-	-	-	-	-	-	4	4	4	4	870 469
7-14-16	CLAMP, Water Pump By-Pass Hose	-	2	2	2	2	2	2	2	2	2	2	2	2	-	-	-	-	870 469
7-14-26	TUBE, Outlet	-	1	1	1	-	-	-	-	-	-	-	-	-	-	-	-	-	854 420
		-	-	-	1	1	1	1	1	1	1	1	1	1	-	-	-	-	579 127
		-	-	-	-	-	-	-	-	-	-	-	-	-	1	1	1	1	1117 082

RADIATOR SHELL LACING

7-15-1	LACING (specify by the foot) . . .	-	★	★	★	★	★	★	★	★	★	★	★	★	★	★	★	★	★	747 877
--------	------------------------------------	---	---	---	---	---	---	---	---	---	---	---	---	---	---	---	---	---	---	---------

RADIATOR GRILLE

Note: Parts indicated by a single dagger (†) were used with the bolt and speed nut method of attaching baffles to extensions.

Parts indicated by a double dagger (‡) were used with the spotweld method of attaching baffles to extensions.

7-16-27	SUPPORT, Panel (upper)	3, 4	1	1	1	-	-	-	-	-	-	-	-	-	-	-	-	-	-	1280 021
	(upper)	3, 4	-	-	-	1	1	1	-	1	1	1	1	1	1	1	1	1	-	1280 022
	(upper)	3, 4	-	-	-	-	-	-	-	-	-	-	-	-	-	-	-	-	1	1280 023
	(lower right)	1, 2	1	1	1	1	1	1	1	1	1	1	1	1	1	1	1	1	-	1097 742
	(lower right)	2	-	-	-	-	-	-	-	-	-	-	-	-	-	-	7	-	1	1276 173
	(lower right) (B-3-B up to serial No. 82280162 Det. and 85318512 S. L. Built; B-3-C up to serial No. 83379620 Det. and 85513506 S. L. Built; B-3-D up to serial No. 8145810 Det. and 86011718 S. L. Built; B-3-F up to serial No. 80402490 Det. and 86514826 S. L. Built; B-3-G up to serial No. 80095495 Det. and 86601774 S. L. Built; B-3-H and HH up to serial No. 82603016 Det. and 85603559 S. L. Built; B-3-HM and HHM up to serial No. 8742784 Det. and 88501238 S. L. Built; B-3-J and B-3-K up to serial No. 82832882 Det. and 88601541 S. L. Built; B-3-JM and B-3-KM up to serial No. 82952570 Det. and 88680229 S. L. Built; B-3-R up to serial No. 81862164; B-3-T and B-3-V up to serial No. 81797444)	3	1	1	1	1	1	1	-	-	1	1	1	1	1	1	1	1	-	*1280 017

★ Indicates use as required.

Prices and specifications subject to change without notice.

☐ Indicates parts not listed in any previous parts books.

Series No. (1 indicates B-1 Series) (2 indicates B-2 Series) (3 indicates B-3 Series) (4 indicates B-4 Series)

Where no Series No. is shown part is for B-1, B-2, B-3 and B-4 Series.

* Indicates change or addition.

CODE	PART NAME AND DESCRIPTION	SERIES NO.	MODEL CODES													PART NO.				
			B	C	D	F	G	H & HH	FM	GM	HM & HHM	J	JM	K	KM		R	T	V	Y
RADIATOR GRILLE - Cont'd																				
7-16-27	SUPPORT, Panel (lower right) (B-3-B after serial No. 82280162 Det. and 85318512 S. L. Built; B-3-C after serial No. 83379620 Det. and 85513506 S. L. Built; B-3-D after serial No. 81454810 Det. and 86011718 S. L. Built; B-3-F after serial No. 80402490 Det. and 86514826 S. L. Built; B-3-G after serial No. 80095495 Det. and 86601774 S. L. Built; B-3-H and HH after serial No. 82603016 Det. and 85603559 S. L. Built; B-3-HM and HHM after serial No. 8742784 Det. and 88501238 S. L. Built; B-3-J and B-3-K after serial No. 82832882 Det. and 88601541 S. L. Built; B-3-JM and B-3-KM after serial No. 82952570 Det. and 88680229 S. L. Built; B-3-R after serial No. 81862164; B-3-T and B-3-V after serial No. 81797444)	3	1	1	1	1	1	1	-	-	1	1	1	1	1	1	1	1	-	*1397 588
	(lower right)	3	-	-	-	-	-	-	1	-	-	-	-	-	-	-	-	-	1280 017	
	(lower right) (up to serial No. 8303625)	3	-	-	-	-	-	-	-	-	-	-	-	-	-	-	-	1	1280 019	
	(lower right) (after serial No. 8303625)	3	-	-	-	-	-	-	-	-	-	-	-	-	-	-	-	1	1397 595	
	(lower right)	4	1	1	1	1	1	1	-	1	1	1	1	1	1	1	1	-	1397 588	
	(lower right)	4	-	-	-	-	-	-	-	-	-	-	-	-	-	-	-	1	1397 595	
	(lower left)	1,2	1	1	1	1	1	1	1	1	1	1	1	1	1	1	1	-	1097 743	
	(lower left)	2	-	-	-	-	-	-	-	-	-	-	-	-	-	-	-	1	1276 174	
	(lower left) (B-3-B up to serial No. 82280162 Det. and 85318512 S. L. Built; B-3-C up to serial No. 83379620 Det. and 85513506 S. L. Built; B-3-D up to serial No. 81454810 Det. and 86011718 S. L. Built; B-3-F up to serial No. 80402490 Det. and 86514826 S. L. Built; B-3-G up to serial No. 80095495 Det. and 86601774 S. L. Built; B-3-H and HH up to serial No. 82603016 Det. and 85603559 S. L. Built; B-3-HM and HHM up to serial No. 8742784 Det. and 88501238 S. L. Built; B-3-J and B-3-K up to serial No. 82832882 Det. and 88601541 S. L. Built; B-3-JM and B-3-KM up to serial No. 82952570 Det. and 88680229 S. L. Built; B-3-R up to serial No. 81862164; B-3-T and B-3-V up to serial No. 81797444)	3	1	1	1	1	1	1	-	-	1	1	1	1	1	1	1	1	-	*1280 018

★Indicates use as required.

Prices and specifications subject to change without notice.

□Indicates parts not listed in any previous parts books.

Series No. (1 indicates B-1 Series) (2 indicates B-2 Series) (3 indicates B-3 Series) (4 indicates B-4 Series)

Where no Series No. is shown part is for B-1, B-2, B-3 and B-4 Series.

April 6, 1953 Supersedes Dec. 31, 1952.

Printed in U.S.A.

* Indicates change or addition.

CODE	PART NAME AND DESCRIPTION	SERIES NO.	MODEL CODES														PART NO.			
			B	C	D	F	G	H & HH	FM	GM	HM & HHM	J	JM	K	KM	R		T	V	Y
RADIATOR GRILLE - Cont'd																				
7-16-27	SUPPORT, Panel (lower left) (B-3-B after serial No. 82280162 Det. and 85318512 S. L. Built; B-3-C after serial No. 83379620 Det. and 85513506 S. L. Built; B-3-D after serial No. 81454810 Det. and 86011718 S. L. Built; B-3-F after serial No. 80402490 Det. and 86514826 S. L. Built; B-3-G after serial No. 80095495 Det. and 86601774 S. L. Built; B-3-H and HH after serial No. 82603016 Det. and 85603559 S. L. Built; B-3-HM and HHM after serial No. 8742784 Det. and 88501238 S. L. Built; B-3-J and B-3-K after serial No. 82832882 Det. and 88601541 S. L. Built; B-3-JM and B-3-KM after serial No. 82952570 Det. and 88680229 S. L. Built; B-3-R after serial No. 81862164; B-3-T and B-3-V after serial No. 81797444).	3	1	1	1	1	1	1	-	-	1	1	1	1	1	1	1	1	-	*1397 589 1280 018
	(lower left)	3	-	-	-	-	-	-	-	1	-	-	-	-	-	-	-	-	-	
	(lower left) (up to serial No. 8303625).	3	-	-	-	-	-	-	-	-	-	-	-	-	-	-	-	-	1	1280 020
	(lower left) (after serial No. 8303625)	3	-	-	-	-	-	-	-	-	-	-	-	-	-	-	-	-	1	1397 589
	(lower left)	4	1	1	1	1	1	1	1	-	-	1	1	1	1	1	1	1	1	1397 589
	Bolt, 5/16"-24 x 3/4"	1,2	8	8	8	8	8	8	8	8	8	8	8	8	8	8	8	8	8	120 741
	Nut	1,2	8	8	8	8	8	8	8	8	8	8	8	8	8	8	8	8	8	120 368
	Washer, plain	1,2	8	8	8	8	8	8	8	8	8	8	8	8	8	8	8	8	8	120 387
7-16-28	SCREW, Side Support to Core Support, w/WASHER	3,4	8	8	8	8	8	8	-	8	8	8	8	8	8	8	8	8	-	1093 753
	Lower Support to Side Support . .	3,4	8	8	8	8	8	8	-	8	8	8	8	8	8	8	8	8	4	1279 646
	Upper Support to Core Support, w/WASHER	3,4	2	2	2	2	2	2	-	2	2	2	2	2	2	2	2	2	-	1093 753
7-16-36	MOULDING (upper)	1,2	1	1	1	1	1	1	-	-	-	1	-	1	-	1	1	1	1	1197 047
	(upper)	1,2	-	-	-	-	-	-	1	1	1	-	1	-	1	-	-	-	-	1197 451
	(upper intermediate) (prime) . . .	1,2	1	1	1	1	1	1	1	1	1	1	1	1	1	1	1	1	1	1097 248
	(upper intermediate) (stainless) . .	1,2	1	1	1	1	1	1	1	1	1	1	1	1	1	1	1	1	1	1197 046
	(lower) (prime)	1,2	1	1	1	1	1	1	1	1	1	1	1	1	1	1	1	1	1	1097 247
	(lower) (stainless)	1,2	1	1	1	1	1	1	1	1	1	1	1	1	1	1	1	1	1	1197 045
	(lower intermediate) (prime)	1,2	1	1	1	1	1	1	1	1	1	1	1	1	1	1	1	1	1	1097 242
	(lower intermediate) (stainless) . .	1,2	1	1	1	1	1	1	1	1	1	1	1	1	1	1	1	1	1	1197 149
	Bolt, 5/16"-24 x 3/4"	2	-	-	-	-	-	-	4	4	4	-	4	-	4	-	-	-	-	120 741
	Nut	2	-	-	-	-	-	-	4	4	4	-	4	-	4	-	-	-	-	120 368
	Washer, plain	2	-	-	-	-	-	-	4	4	4	-	4	-	4	-	-	-	-	120 387
	Nut	-	16	16	16	16	16	16	12	12	12	16	12	16	12	16	16	16	16	121 743
	MOULDING (center right) (prime)	3,4	2	2	2	2	2	2	-	2	2	2	2	2	2	2	2	2	2	1396 218
	(center right) (stainless)	3,4	2	2	2	2	2	2	-	2	2	2	2	2	2	2	2	2	2	1396 246
	(center left) (prime)	3,4	2	2	2	2	2	2	-	2	2	2	2	2	2	2	2	2	2	1396 219
	(center left) (stainless)	3,4	2	2	2	2	2	2	-	2	2	2	2	2	2	2	2	2	2	1396 247
	(upper, outer right) (prime)	3,4	1	1	1	1	1	1	-	1	1	1	1	1	1	1	1	1	1	1396 230
	(upper, outer right) (stainless) . .	3,4	1	1	1	1	1	1	-	1	1	1	1	1	1	1	1	1	1	1396 250
	(upper, outer left) (prime)	3,4	1	1	1	1	1	1	-	1	1	1	1	1	1	1	1	1	1	1396 231
	(upper, outer left) (stainless) . . .	3,4	1	1	1	1	1	1	-	1	1	1	1	1	1	1	1	1	1	1396 251

★ Indicates use as required.

□ Indicates parts not listed in any previous parts books.

Series No. (1 indicates B-1 Series) (2 indicates B-2 Series) (3 indicates B-3 Series) (4 indicates B-4 Series)

Where no Series No. is shown part is for B-1, B-2, B-3 and B-4 Series.

* Indicates change or addition.

Prices and specifications subject to change without notice.

CODE	PART NAME AND DESCRIPTION	SERIES NO.	MODEL CODES													PART NO.			
			B	C	D	F	G	H & HH	FM	GM	HM & HHM	J	JM	K	KM		R	T	V
RADIATOR GRILLE - Cont'd																			
7-16-36	MOULDING (lower, outer right)																		
	(prime)	3,4	1	1	1	1	1	1	-	1	1	1	1	1	1	1	1	1	1
	(lower, outer right) (stainless)	3,4	1	1	1	1	1	1	-	1	1	1	1	1	1	1	1	1	1
	(lower, outer left) (prime)	3,4	1	1	1	1	1	1	-	1	1	1	1	1	1	1	1	1	1
	(lower, outer left) (stainless)	3,4	1	1	1	1	1	1	-	1	1	1	1	1	1	1	1	1	1
7-16-38	NUT, Lower Moulding	3	4	4	4	4	4	4	-	4	4	4	4	4	4	4	4	4	4
7-16-41	SCREW, Upper Moulding	1,2	2	2	2	2	2	2	-	2	2	2	2	2	2	2	2	2	2
	Upper Moulding	1	-	-	-	-	-	-	4	4	4	-	4	-	4	-	-	-	-
	SCREW, Moulding	3,4	16	16	16	16	16	16	-	16	16	16	16	16	16	16	16	16	16
	Washer, plain	-	-	-	-	-	-	-	4	4	4	-	4	-	4	-	-	-	-
7-16-42	NUT, Upper Moulding Screw	1,2	2	2	2	2	2	2	-	2	2	2	2	2	2	2	2	2	2
		1	-	-	-	-	-	-	4	4	4	-	4	-	4	-	-	-	-
7-16-43	WASHER, Moulding Lock	1,2	16	16	16	16	16	16	12	12	12	16	12	16	12	16	16	16	16
	Upper Moulding Screw Lock	1,2	-	-	-	-	-	-	4	4	4	-	4	-	4	-	-	-	-
	Name Plate Lock	-	3	3	3	3	3	3	3	3	3	3	3	3	3	3	3	3	3
7-16-61	PLATE, Name	1,2	1	1	1	1	1	1	1	1	1	1	1	1	1	1	1	1	1
		3	1	1	1	1	1	1	-	-	-	1	-	1	-	1	1	1	1
		4	1	1	1	1	1	1	-	-	-	1	-	1	-	1	1	1	1
	Nut	-	3	3	3	3	3	3	3	3	3	3	3	3	3	3	3	3	3
7-16-63	PANEL, Grille	1,2	1	1	1	1	1	1	1	1	1	1	1	1	1	1	1	1	-
		2	-	-	-	-	-	-	-	-	-	-	-	-	-	-	-	-	1
		3	1	1	1	1	1	1	-	1	1	1	1	1	1	1	1	1	1
		4	1	1	1	1	1	1	-	1	1	1	1	1	1	1	1	1	1
	Bolt, 5/16"-24 x 3/4"	2	12	12	12	12	12	12	12	12	12	12	12	12	12	12	12	12	10
	Nut	2	12	12	12	12	12	12	12	12	12	12	12	12	12	12	12	12	10
	Washer, plain	2	12	12	12	12	12	12	12	12	12	12	12	12	12	12	12	12	10
7-16-67	SUPPORT, Side (right)	1,2	1	1	1	1	1	1	1	1	1	1	1	1	1	1	1	1	-
	(right)	2	-	-	-	-	-	-	-	-	-	-	-	-	-	-	-	-	1
	(right)	3,4	1	1	1	1	1	1	-	1	-	1	-	1	-	1	1	1	-
	(right) (B-3-HM up to serial No. 8742784 Det. and 88501238 S.L. Built; B-3-JM and B-3-KM up to serial No. 82952570 Det. and 88680229 S.L. Built)	3	-	-	-	-	-	-	-	1	-	1	-	1	-	-	-	-	1279 913
	(right) (B-3-HM after serial No. 8742784 Det. and 88501238 S.L. Built; B-3-JM and B-3-KM after serial No. 82952570 Det. Built and 88680229 S.L. Built)	3	-	-	-	-	-	-	-	1	-	1	-	1	-	-	-	-	1279 913
	(right)	4	-	-	-	-	-	-	-	1	-	1	-	1	-	-	-	-	1397 599
	(right)	3,4	-	-	-	-	-	-	-	1	-	1	-	1	-	-	-	-	1397 599
	(left)	1,2	1	1	1	1	1	1	-	-	-	1	-	1	-	1	1	1	1279 915
	(left)	1,2	-	-	-	-	-	-	1	1	1	-	1	-	1	-	-	-	1276 492
	(left)	2	-	-	-	-	-	-	-	-	-	-	-	-	-	-	-	-	1197 457
	(left)	3,4	1	1	1	1	1	1	-	-	-	1	-	1	-	1	1	1	1276 140
	(left)	3,4	-	-	-	-	-	-	-	1	1	-	1	-	1	-	-	-	1279 914
	(left)	3,4	-	-	-	-	-	-	-	1	1	-	1	-	1	-	-	-	1279 917
	Bolt, 3/8"-24 x 1"	1,2	8	8	8	8	8	8	7	7	7	8	7	8	7	8	8	8	8
7-16-68	EXTENSION, Lower Baffle	3	1	1	1	-	-	-	-	-	-	-	-	-	-	-	-	-	1279 832
	Upper Baffle (see note)	1	-	-	-	1	-	1	1	-	1	1	1	1	1	-	-	-	†1097 569
	Lower Baffle (see note)	1	-	-	-	1	-	1	1	-	1	1	1	1	1	-	-	-	†1097 550
7-16-69	BAFFLE (upper) (see note)	1	1	1	1	1	-	1	-	-	1	-	1	-	1	-	-	-	†1197 110
	(lower) (see note)	1	1	1	1	1	-	1	-	-	1	-	1	-	1	-	-	-	†1097 546
	w/EXTENSION (upper) (see note)	1	1	1	1	-	-	-	-	-	-	-	-	-	-	-	-	-	†1275 157
	w/EXTENSION (upper) (see note)	1	1	1	1	-	1	-	-	-	1	-	1	-	1	-	-	-	†1275 159
	w/EXTENSION (lower) (see note)	1	1	1	1	1	-	1	-	-	1	-	1	-	1	-	-	-	†1275 145

1563989

1279 883
1398 604

*Indicates use as required.

†Indicates parts not listed in any previous parts books.

Series No. (1 indicates B-1 Series) (2 indicates B-2 Series) (3 indicates B-3 Series) (4 indicates B-4 Series)

Where no Series No. is shown part is for B-1, B-2, B-3 and B-4 Series.

April 6, 1953 Supersedes Dec. 31, 1952.

Prices and specifications subject to change without notice.

Printed in U.S.A.

* Indicates change or addition.

CODE	PART NAME AND DESCRIPTION	SERIES NO.	MODEL CODES																PART NO.	
			B	C	D	F	G	H&HH	FM	GM	HM & HMM	J	JM	K	KM	R	T	V		Y
RADIATOR GRILLE - Cont'd																				
7-16-69	BAFFLE, w/EXTENSION (upper) (see note)	1	-	-	-	-	-	-	-	1	-	1	-	1	-	1	-	-	-	†1275 161
	w/EXTENSION (lower) (see note)	1	-	-	-	-	-	-	-	1	-	1	-	1	-	1	-	-	-	†1275 147
	w/EXTENSION (upper)	2	1	1	1	-	-	-	-	-	-	-	-	-	-	-	-	-	-	1275 157
	w/EXTENSION (upper)	2	-	-	-	1	1	1	-	-	-	1	-	1	-	-	-	-	-	1275 159
	w/EXTENSION (lower)	2	1	1	1	1	1	1	-	-	-	1	-	1	-	-	-	-	-	1275 145
	w/EXTENSION (upper)	2	-	-	-	-	-	-	-	1	1	-	1	-	1	-	-	-	-	1275 161
	w/EXTENSION (lower)	2	-	-	-	-	-	-	-	1	1	-	1	-	1	-	-	-	-	1275 147
	(upper)	1,2	-	-	-	-	-	-	-	-	-	-	-	-	-	1	1	1	-	1197 110
	(lower)	1,2	-	-	-	-	-	-	-	-	-	-	-	-	-	1	1	1	-	1097 546
	(upper)	2	-	-	-	-	-	-	-	-	-	-	-	-	-	-	-	-	-	1276 185
	(lower)	2	-	-	-	-	-	-	-	-	-	-	-	-	-	-	-	-	-	1276 166
	(lower)	3,4	1	1	1	1	1	1	-	1	1	1	1	1	1	1	1	1	-	1280 027
	(lower)	3,4	-	-	-	-	-	-	-	-	-	-	-	-	-	-	-	-	-	1280 026
	Bolt, 5/16"-24 x 3/4"	1,2	4	4	4	4	4	4	4	4	4	4	4	4	4	4	4	4	-	120 741
	Bolt, 5/16"-24 x 1"	2	-	-	-	-	-	-	-	-	-	-	-	-	-	-	-	-	-	121 661
	Nut	1,2	4	4	4	4	4	4	4	4	4	4	4	4	4	4	4	4	4	120 368
	Washer, plain	1,2	4	4	4	4	4	4	4	4	4	4	4	4	4	4	4	4	4	120 387
7-16-72	SCREW, Lower Baffle Extension to Baffle (see note)	1	6	6	6	4	-	4	4	-	4	4	4	4	4	-	-	-	-	†1096 643
	Lower Baffle Extension to Baffle	3,4	2	2	2	-	-	-	-	-	-	-	-	-	-	-	-	-	-	1279 646
	Lower Baffle to Side Support	1,2	4	4	4	4	4	4	4	4	4	4	4	4	4	4	4	4	4	1096 643
	Lower Baffle to Side Support	3,4	2	2	2	2	2	2	-	2	2	2	2	2	2	2	2	2	2	1279 646
	Panel to Lower Baffle	1	5	5	5	5	-	5	5	-	5	5	5	5	5	5	5	5	-	1096 643
	Panel to Lower Baffle	2	3	3	3	3	3	3	-	3	3	3	3	3	3	3	3	3	3	1096 643
	Panel to Lower Baffle	3,4	4	4	4	4	4	4	-	4	4	4	4	4	4	4	4	4	4	1279 646
	Panel to Upper Baffle	1	6	6	6	6	-	6	6	-	6	6	6	6	6	6	6	6	-	1096 643
	Panel to Side Support	1	6	6	6	6	-	6	6	-	6	6	6	6	6	6	6	6	-	1096 643
	Panel to Side Support	3,4	4	4	4	4	4	4	-	4	4	4	4	4	4	4	4	4	4	1279 646
	Upper Baffle Extension to Baffle (see note)	1	6	6	6	6	-	6	6	-	6	6	6	6	6	-	-	-	-	†1096 643
	Panel to Upper Support	3,4	4	4	4	4	4	4	-	4	4	4	4	4	4	4	4	4	2	1279 646
	Panel to Tie Bar Support	3,4	-	-	-	-	-	-	-	-	-	-	-	-	-	-	-	-	2	1279 646
	Side Support Rear Extension to Side Support	3,4	-	-	-	-	-	-	-	-	-	-	-	-	-	-	-	-	8	1279 646
	Side Support Rear Extension to Core Support, w/WASHER	3,4	-	-	-	-	-	-	-	-	-	-	-	-	-	-	-	-	8	1093 753
7-16-74	NUT, Lower Baffle Extension to Baffle Screw (see note)	1	6	6	6	4	-	4	4	-	4	4	4	4	4	-	-	-	-	†1096 644
	Grille Panel to Lower Baffle Screw	1,2	★	★	★	★	★	★	★	★	★	★	★	★	★	★	★	★	★	1096 644
	Lower Baffle to Side Support Screw	1,2	4	4	4	4	4	4	4	4	4	4	4	4	4	4	4	4	4	1096 644
	Grille Panel to Upper Baffle Screw	1	6	6	6	6	-	6	6	-	6	6	6	6	6	6	6	6	-	1096 644
	Upper Baffle Extension to Baffle Screw (see note)	1	6	6	6	6	-	6	6	-	6	6	6	6	6	-	-	-	-	†1096 644
	Grille Panel to Lower Baffle Screw	3,4	4	4	4	4	4	4	-	4	4	4	4	4	4	4	4	4	4	1277 359
7-16-75	WASHER, Side Support to Core Support Screw Lock	1,2	8	8	8	8	8	8	7	7	7	8	7	8	7	8	8	8	8	1093 885
	Grille Panel to Side Support Screw Lock	1	8	8	8	8	-	8	8	-	8	8	8	8	8	-	-	-	-	1097 771
	Grille Panel to Side Support Screw Lock	2	6	6	6	6	6	6	6	6	6	6	6	6	6	6	6	6	6	1097 771
	Grille Panel Lower Support to Side Support Screw Lock	1	8	8	8	8	-	8	8	-	8	8	8	8	8	-	-	-	-	1097 771
	Grille Panel to Upper Baffle Screw Lock	1	6	6	6	6	-	6	6	-	6	6	6	6	6	6	6	6	-	1097 771

★ Indicates use as required.

□ Indicates parts not listed in any previous parts books.

Series No. (1 indicates B-1 Series) (2 indicates B-2 Series) (3 indicates B-3 Series) (4 indicates B-4 Series)

Where no Series No. is shown part is for B-1, B-2, B-3 and B-4 Series.

* Indicates change or addition.

Prices and specifications subject to change without notice.

CODE	PART NAME AND DESCRIPTION	SERIES NO.	MODEL CODES														PART NO.			
			B	C	D	F	G	H & HH	FM	GM	HM & HHM	J	JM	K	KM	R		T	V	Y
RADIATOR GRILLE - Cont'd																				
7-16-75	WASHER, Grille Panel Lower Baffle to Side Support Screw Lock	1	4	4	4	4	-	4	4	-	4	4	4	4	4	4	4	4	-	1097 771
	Grille Panel Lower Baffle to Side Support Screw Lock	2	-	-	-	-	-	-	-	-	-	-	-	-	-	-	-	-	4	1097 771
	Grille Panel Lower Support to Side Support Screw Lock	2	-	-	-	-	-	-	-	-	-	-	-	-	-	-	-	-	8	1097 771
	Side Support to Core Support Side Support to Core Support Screw Lock Screw Lock	2	-	-	-	-	-	-	-	-	-	-	-	-	-	-	-	-	8	1093 885
	Grille Panel to Upper Baffle Screw Lock	2	-	-	-	-	-	-	-	-	-	-	-	-	-	-	-	-	4	1097 771
7-16-76	WASHER, Upper Baffle to Core Support Screw Lock	1,2	2	2	2	2	2	2	1	1	1	2	1	2	1	2	2	2	4	1093 885
7-16-77	NUT, Side Support Weld	-	★	★	★	★	★	★	★	★	★	★	★	★	★	★	★	★	★	657 413
	Grille Panel to Side Support Screw	1	6	6	6	6	-	6	6	-	6	6	6	6	6	6	6	6	-	1197 429
7-16-83	BAR, Side Support Tie	3,4	-	-	-	-	-	-	-	-	-	-	-	-	-	-	-	-	1	1280 016
7-16-84	COVER, Side Support Heater Intake Hole	3,4	-	-	-	-	-	-	-	-	-	-	-	-	-	-	-	-	1	1279 824
	Screw, No. 10-16 x 1/2"	-	-	-	-	-	-	-	-	-	-	-	-	-	-	-	-	-	2	445 599
RADIATOR MEDALLION																				
7-17-1	MEDALLION	3	1	1	1	1	1	1	-	1	1	1	1	1	1	1	1	1	1	Ⓜ1395 979
		4	1	1	1	1	1	1	-	1	1	1	1	1	1	1	1	1	1	Ⓜ1398 254
7-17-11	NUT, Medallion Screw	3,4	3	3	3	3	3	3	-	3	3	3	3	3	3	3	3	3	3	1277 359
7-17-15	SCREW, Medallion	3,4	3	3	3	3	3	3	-	3	3	3	3	3	3	3	3	3	3	1279 490
RADIATOR SUPPORT																				
7-29-1	SUPPORT	-	1	1	1	-	-	-	-	-	-	-	-	-	-	-	-	-	-	1272 175
		-	-	-	-	1	1	1	1	1	1	1	1	1	1	1	1	1	-	1272 183
		2	-	-	-	-	-	-	-	-	-	-	-	-	-	-	-	-	1	1266 905
		3,4	-	-	-	-	-	-	-	-	-	-	-	-	-	-	-	-	1	1273 009
	Nut	-	2	2	2	-	-	-	-	-	-	-	-	-	-	-	-	-	-	120 371
	Washer, lock	-	2	2	2	-	-	-	-	-	-	-	-	-	-	-	-	-	-	120 384
	Washer	-	2	2	2	-	-	-	-	-	-	-	-	-	-	-	-	-	-	120 390
	Nut	-	-	-	-	2	2	2	2	2	2	2	2	2	2	2	2	2	2	121 358
	Washer, lock	-	-	-	-	2	2	2	2	2	2	2	2	2	2	2	2	2	2	121 574
	Washer, plain	-	-	-	-	2	2	2	2	2	2	2	2	2	2	2	2	2	2	131 016
	Nut	-	18	18	18	18	18	18	18	18	18	18	18	18	18	18	18	18	12	120 369
7-29-10	WASHER, Brace Grommet	-	-	-	-	-	-	-	4	4	4	-	4	-	4	-	-	-	-	633 111
7-29-15	BRACE (right)	-	-	-	-	-	-	-	1	1	1	-	1	-	1	-	-	-	-	1260 698
	(left)	-	-	-	-	-	-	-	1	1	1	-	1	-	1	-	-	-	-	1260 699
	Bolt, 5/16"-24 x 1 1/4" (to support)	-	-	-	-	-	-	-	2	2	2	-	2	-	2	-	-	-	-	123 774
	Nut	-	-	-	-	-	-	-	2	2	2	-	2	-	2	-	-	-	-	120 368
	Washer, lock	-	-	-	-	-	-	-	2	2	2	-	2	-	2	-	-	-	-	120 214
	Bolt, 1/8"-24 x 1 1/4" (to frame)	-	-	-	-	-	-	-	2	2	2	-	2	-	2	-	-	-	-	121 615
	Nut	-	-	-	-	-	-	-	2	2	2	-	2	-	2	-	-	-	-	120 369
	Washer, lock	-	-	-	-	-	-	-	2	2	2	-	2	-	2	-	-	-	-	120 382
	Washer, plain	-	-	-	-	-	-	-	2	2	2	-	2	-	2	-	-	-	-	120 394
7-29-16	GROMMET, Brace	-	-	-	-	-	-	-	2	2	2	-	2	-	2	-	-	-	-	596 695
7-29-62	BRACKET, Frame	-	1	1	-	-	-	-	-	-	-	-	-	-	-	-	-	-	-	590 375
		1,2	-	-	1	-	-	-	-	-	-	-	-	-	-	-	-	-	-	919 997
		3,4	-	-	1	-	-	-	-	-	-	-	-	-	-	-	-	-	-	590 375
		-	-	-	-	1	1	1	1	1	1	1	1	1	1	1	1	1	1	1194 492

★ Indicates use as required.

Prices and specifications subject to change without notice.

Ⓜ Indicates parts not listed in any previous parts books.

Series No. (1 indicates B-1 Series) (2 indicates B-2 Series) (3 indicates B-3 Series) (4 indicates B-4 Series)

Where no Series No. is shown part is for B-1, B-2, B-3 and B-4 Series.

Printed in U.S.A.

CODE	PART NAME AND DESCRIPTION	SERIES NO.	MODEL CODES													PART NO.			
			B	C	D	F	G	H & HH	FM	GM	HM & HHM	J	JM	K	KM		R	T	V
RADIATOR TIE ROD																			
7-37-2	ROD	1,2	2	2	2	2	2	2	-	-	-	2	-	2	-	-	-	-	-
	(up to serial No. 8301563)	1,2	-	-	-	-	-	-	-	-	-	-	-	-	-	2	2	2	-
	(right) (after serial No. 8301563)	2	-	-	-	-	-	-	-	-	-	-	-	-	-	-	-	-	2
	(left) (after serial No. 8301563)	2	-	-	-	-	-	-	-	-	-	-	-	-	-	-	-	-	1
	Bolt, 3/8"-24 x 1"	2	2	2	2	2	2	2	-	-	-	2	-	2	-	-	-	-	1
	Nut	-	2	2	2	2	2	2	-	-	-	2	-	2	-	-	-	-	-
	Washer, lock	-	2	2	2	2	2	2	-	-	-	2	-	2	-	-	-	-	-
	Nut	-	4	4	4	4	4	4	-	-	-	4	-	4	-	4	4	4	4
7-37-7	BRACKET (on dash)	1,2	2	2	2	2	2	2	-	-	-	2	-	2	-	2	2	2	2
	Rivet	-	4	4	4	4	4	4	-	-	-	4	-	4	-	4	4	4	4
7-37-13	WASHER, Dash Bracket Rivet Plain	1,2	4	4	4	4	4	4	-	-	-	4	-	4	-	4	4	4	4
THERMOSTAT																			
7-41-4	THERMOSTAT (165°)	1	1	1	-	-	-	-	-	-	-	-	-	-	-	-	-	-	-
	(180°)	1	1	1	-	-	-	-	-	-	-	-	-	-	-	-	-	-	-
	(165°) (up to engine No. T172-100902)	2	1	1	-	-	-	-	-	-	-	-	-	-	-	-	-	-	-
	(180°) (up to engine No. T172-100902)	2	1	1	-	-	-	-	-	-	-	-	-	-	-	-	-	-	-
	(165°) (after engine No. T172-100902)	2	1	1	-	-	-	-	-	-	-	-	-	-	-	-	-	-	-
	(180°) (after engine No. T172-100902)	2	1	1	-	-	-	-	-	-	-	-	-	-	-	-	-	-	-
	(165°)	3,4	1	1	1	-	-	-	-	-	-	-	-	-	-	-	-	-	-
	(180°)	3,4	1	1	1	-	-	-	-	-	-	-	-	-	-	-	-	-	-
	(165°)	1,2	-	-	1	-	-	-	-	-	-	-	-	-	-	-	-	-	-
	(180°)	1,2	-	-	1	-	-	-	-	-	-	-	-	-	-	-	-	-	-
	(165°)	-	-	-	1	1	1	1	1	1	1	1	1	1	1	1	1	1	1
	(180°)	-	-	-	1	1	1	1	1	1	1	1	1	1	1	1	1	1	1
7-41-16	GASKET	1	1	1	-	-	-	-	-	-	-	-	-	-	-	-	-	-	-
	(up to engine No. T172-100902)	2	1	1	-	-	-	-	-	-	-	-	-	-	-	-	-	-	-
		1,2	-	-	1	-	-	-	-	-	-	-	-	-	-	-	-	-	-
		-	-	-	1	1	1	1	1	1	1	1	1	1	1	1	1	1	1
7-41-28	SPACER	-	-	-	-	-	-	-	-	-	-	-	-	-	1	1	1	1	1
WATER PUMP																			
7-42-1	PUMP PACKAGE	1	1	1	-	-	-	-	-	-	-	-	-	-	-	-	-	-	-
	(up to engine No. T172-100902)	2	1	1	-	-	-	-	-	-	-	-	-	-	-	-	-	-	-
	(after engine No. T172-100902)	2	1	1	-	-	-	-	-	-	-	-	-	-	-	-	-	-	-
		3,4	1	1	1	-	-	-	-	-	-	-	-	-	-	-	-	-	-
		1,2	-	-	1	-	-	-	-	-	-	-	-	-	-	-	-	-	-
		-	-	-	1	1	1	1	1	1	1	1	1	1	1	1	1	1	1
7-42-4	PUMP REPAIR KIT	1	1	1	-	-	-	-	-	-	-	-	-	-	-	1	1	1	1
	(up to engine No. T172-100902)	2	1	1	-	-	-	-	-	-	-	-	-	-	-	-	-	-	-
	(after engine No. T172-100902)	2	1	1	-	-	-	-	-	-	-	-	-	-	-	-	-	-	-
		3,4	1	1	1	-	-	-	-	-	-	-	-	-	-	-	-	-	-
		1,2	-	-	1	-	-	-	-	-	-	-	-	-	-	-	-	-	-
		-	-	-	1	1	1	1	1	1	1	1	1	1	1	1	1	1	1
		-	-	-	1	1	1	1	1	1	1	1	1	1	1	1	1	1	1

★ Indicates use as required. Prices and specifications subject to change without notice.
 □ Indicates parts not listed in any previous parts books.
 Series No. (1 indicates B-1 Series) (2 indicates B-2 Series) (3 indicates B-3 Series) (4 indicates B-4 Series)
 Where no Series No. is shown part is for B-1, B-2, B-3 and B-4 Series.
 * Indicates change or addition. Page 7-17 Printed in U.S.A. April 6, 1953 Supersedes Dec. 31, 1952.

CODE	PART NAME AND DESCRIPTION	SERIES NO.	MODEL CODES													PART NO.			
			B	C	D	F	G	H&HH	FM	GM	HM & HHM	J	JM	K	KM		R	T	V
WATER PUMP SHAFT AND IMPELLER - Cont'd																			
7-45-31	IMPELLER	1	1	1	-	-	-	-	-	-	-	-	-	-	-	-	-	-	600 805
	(up to engine No. T172-100902)	2	1	1	-	-	-	-	-	-	-	-	-	-	-	-	-	-	600 805
	(after engine No. T172-100902)	2	1	1	-	-	-	-	-	-	-	-	-	-	-	-	-	-	1326 233
		3,4	1	1	1	-	-	-	-	-	-	-	-	-	-	-	-	-	1326 233
		1,2	-	-	1	-	-	-	-	-	-	-	-	-	-	-	-	-	600 805
		-	-	-	-	1	1	1	1	1	1	1	1	1	1	1	1	1	1116 658
	Pin	1,2	1	1	1	-	-	-	-	-	-	-	-	-	1	1	1	1	1120 813
	Pin	3,4	1	1	1	-	-	-	-	-	-	-	-	-	-	-	-	-	112 019
7-45-54	WASHER, Grease Retainer	-	1	1	1	-	-	-	-	-	-	-	-	-	-	-	-	-	1123 841
WATER PUMP SEAL																			
7-46-1	SEAL PACKAGE	-	1	1	1	1	1	1	1	1	1	1	1	1	1	1	1	1	1243 631
7-46-10	WASHER, Retainer	-	1	1	1	-	-	-	-	-	-	-	-	-	-	-	-	-	600 810
		-	-	-	1	1	1	1	1	1	1	1	1	1	1	1	1	1	867 409
7-46-11	RING, Retainer Washer Lock	-	1	1	1	1	1	1	1	1	1	1	1	1	1	1	1	1	600 811
7-46-13	SPRING, Impeller Thrust.	1	1	1	1	-	-	-	-	-	-	-	-	-	-	-	-	-	695 315
WATER PUMP BY-PASS ELBOW																			
7-48-12	ELBOW.	1	1	1	-	-	-	-	-	-	-	-	-	-	-	-	-	-	1139 089
	(up to engine No. T172-100902).	2	1	1	-	-	-	-	-	-	-	-	-	-	-	-	-	-	1139 089
		1,2	-	-	1	-	-	-	-	-	-	-	-	-	-	-	-	-	1139 088
		-	-	-	1	1	1	1	1	1	1	1	1	1	1	1	1	1	918 494
	Bolt, 5/16"-18 x 3/4"	-	2	2	2	-	-	-	-	-	-	-	-	-	1	1	1	1	1122 831
	Washer, lock	-	2	2	2	-	-	-	-	-	-	-	-	-	-	-	-	-	122 007
	Bolt, 3/8"-16 x 1 1/4"	-	-	-	-	-	-	-	-	-	-	-	-	-	4	4	4	4	120 214
	Washer, lock	-	-	-	-	-	-	-	-	-	-	-	-	-	4	4	4	4	122 145
	Plug	-	1	1	1	-	-	-	-	-	-	-	-	-	-	-	-	-	120 382
7-48-16	GASKET	1	1	1	-	-	-	-	-	-	-	-	-	-	-	-	-	-	103 867
	(up to engine No. T172-100902)	2	1	1	-	-	-	-	-	-	-	-	-	-	-	-	-	-	622 772
		1,2	-	-	1	-	-	-	-	-	-	-	-	-	-	-	-	-	622 772
		-	-	-	-	-	-	-	-	-	-	-	-	-	2	2	2	2	1122 832
7-48-56	ELBOW, Adapter	-	1	1	1	-	-	-	-	-	-	-	-	-	-	-	-	-	1400 727
7-48-57	SCREW, Adapter Elbow.	-	1	1	1	-	-	-	-	-	-	-	-	-	-	-	-	-	1400 728
RADIATOR GUARD BRACE																			
7-51-2	BRACE	1,2	2	2	2	2	2	2	-	-	-	2	-	2	-	2	2	2	1262 870
	Bolt, 1/2"-20 x 1 1/4"	-	2	2	2	2	2	2	-	-	-	2	-	2	-	2	2	2	120 424

NOTES

★ Indicates use as required. Prices and specifications subject to change without notice.
 □ Indicates parts not listed in any previous parts books.
 Series No. (1 indicates B-1 Series) (2 indicates B-2 Series) (3 indicates B-3 Series) (4 indicates B-4 Series)
 Where no Series No. is shown part is for B-1, B-2, B-3 and B-4 Series.
 * Indicates change or addition.

