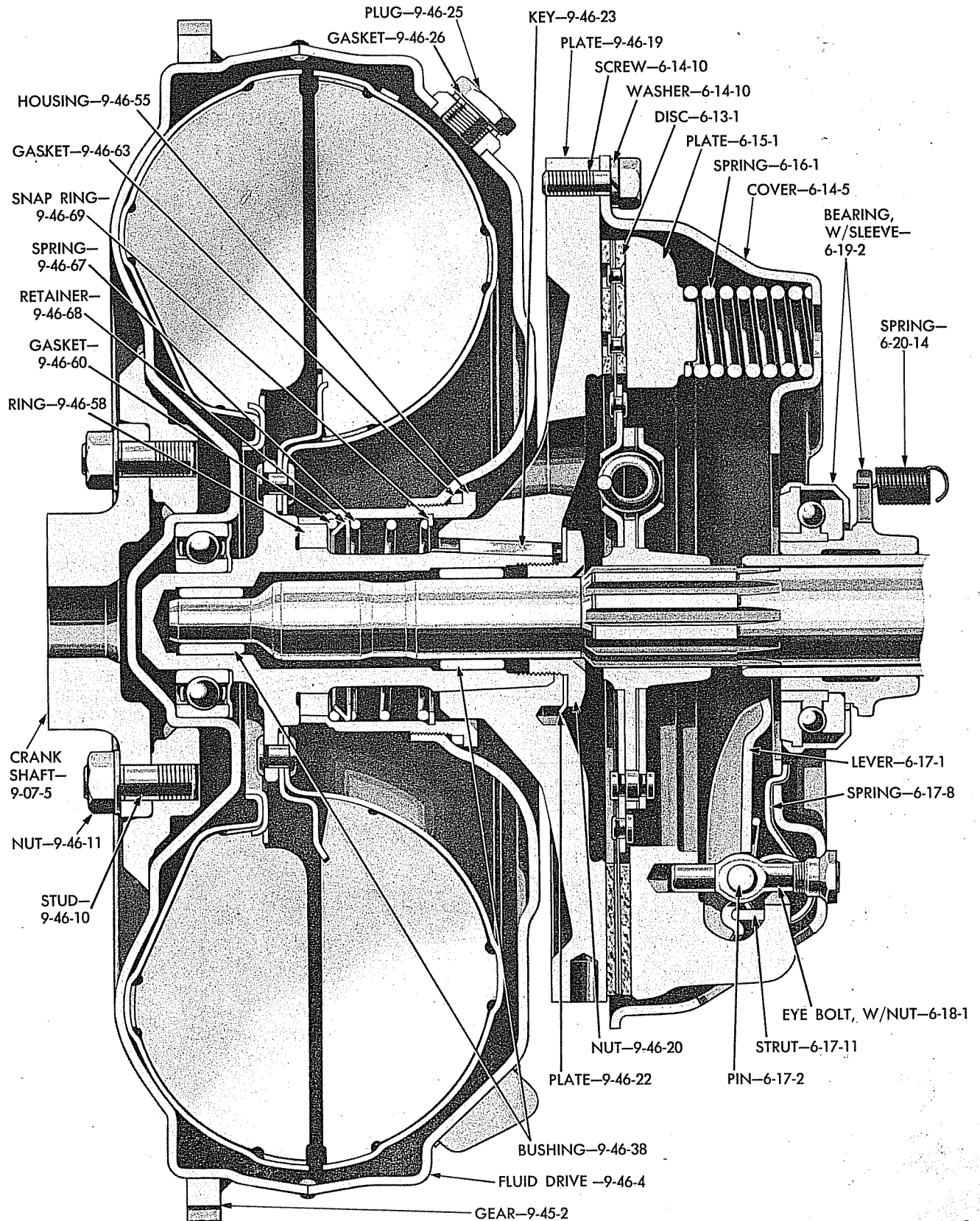


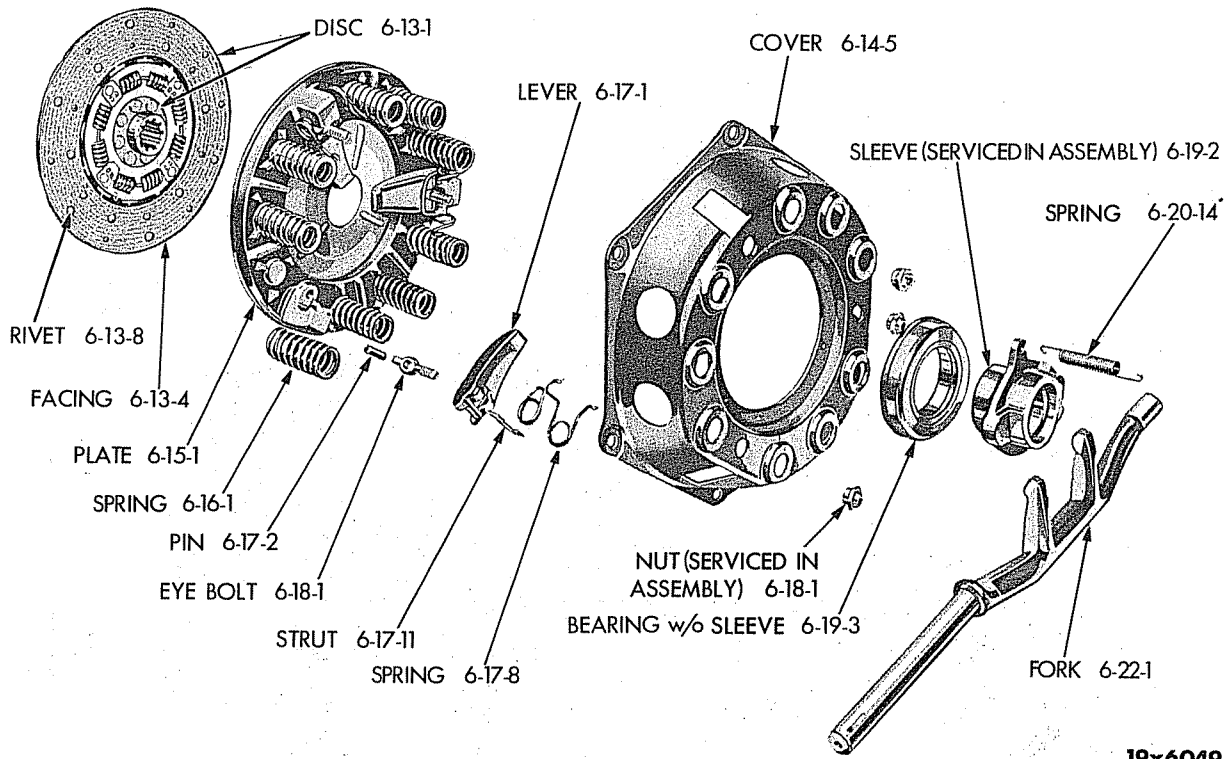
# GROUP 6 - CLUTCH



19x5333 A

Plate 6-1

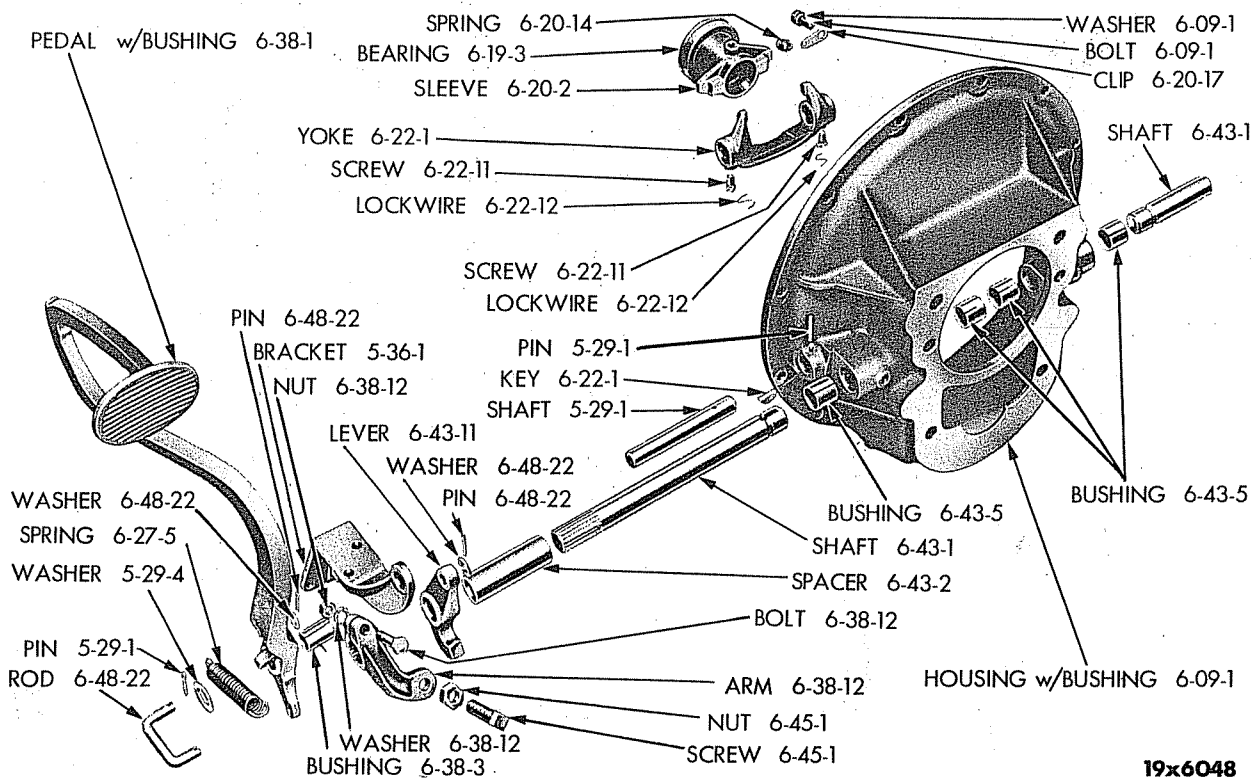
CLUTCH AND FLUID DRIVE (SECTIONAL VIEW)



19x6049

Plate 6-2

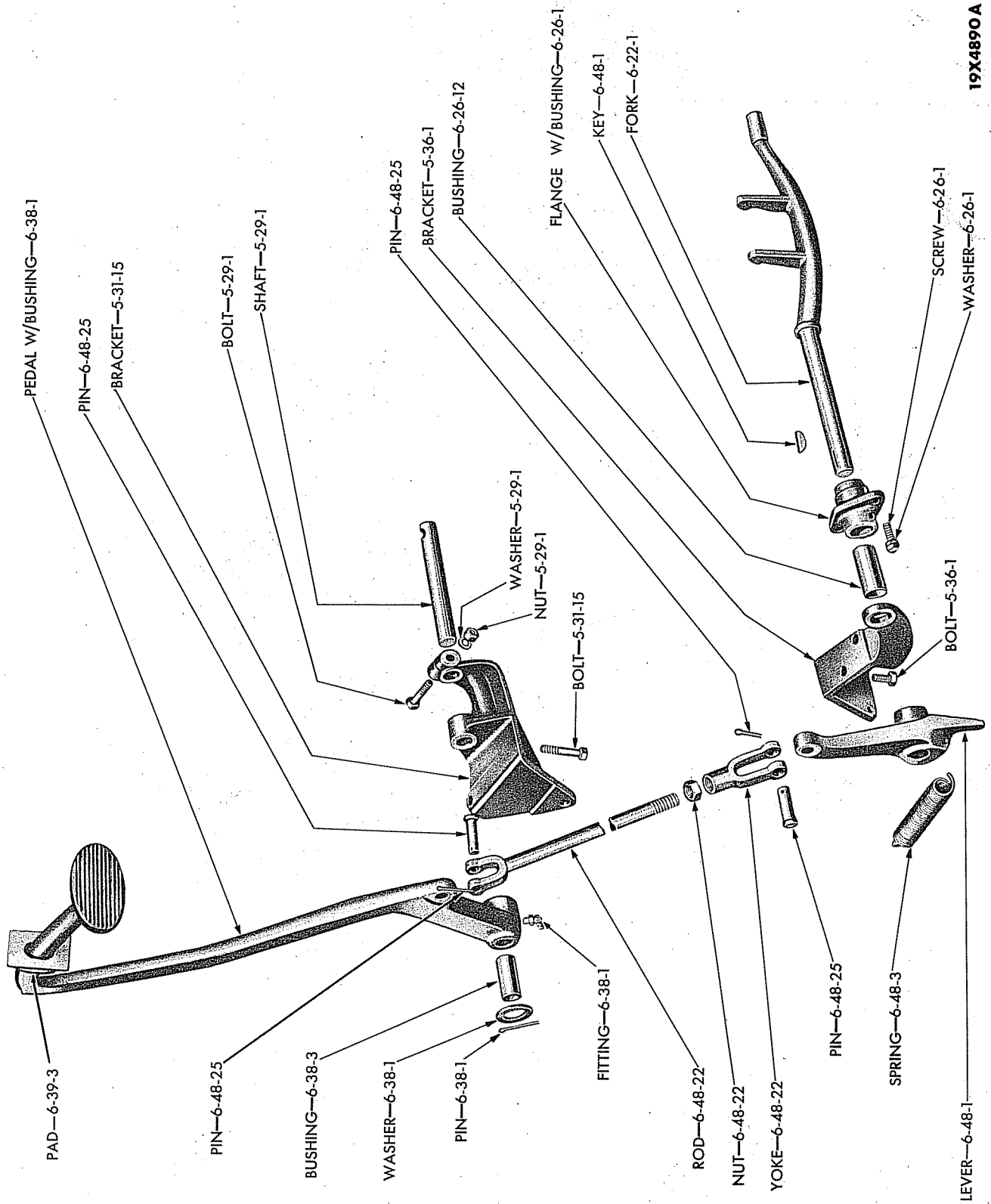
CLUTCH (EXPLODED VIEW)



19x6048

Plate 6-3

CLUTCH PEDAL AND LINKAGE (4 TON) (EXPLODED VIEW)



19X4890 A

CLUTCH PEDAL AND LINKAGE (CAB-OVER-ENGINE) (EXPLODED VIEW)

Plate 6-4



CODE	PART NAME AND DESCRIPTION	SERIES NO.	MODEL CODES														PART NO.		
			B	C	D	F	G	H & HH	FM	GM	HM & HHM	J	JM	K	KM	R		T	V
CLUTCH HOUSING																			
6-09-1	HOUSING, w/BUSHING (w/3 Speed Trans.) (w/o Fluid Drive)	-	1	1	1	-	-	-	-	-	-	-	-	-	-	-	-	-	1064 766
	(w/4 Speed Trans.) (w/o Fluid Drive)	-	1	1	1	-	-	-	-	-	-	-	-	-	-	-	-	-	922 012
	(w/Fluid Drive)	-	1	1	1	-	-	-	-	-	-	-	-	-	-	-	-	-	1270 976
	(w/TRUCK-O-MATIC Trans.)	4	1	1	-	-	-	-	-	-	-	-	-	-	-	-	-	-	1390 251
		-	-	-	1	1	1	1	1	1	-	-	-	-	-	-	-	-	1064 767
		1	-	-	-	-	-	-	-	-	1	1	1	1	-	-	-	-	1064 765
		2,3	-	-	-	-	-	-	-	-	1	-	1	-	-	-	-	-	1064 767
	(use with trans. with one power take-off opening)	4	-	-	-	-	-	-	-	-	1	-	1	1	-	-	-	-	1064 767
	(use with trans. with two power take-off openings)	4	-	-	-	-	-	-	-	-	1	-	1	1	-	-	-	-	1501 886
		2,3,4	-	-	-	-	-	-	-	-	-	1	-	-	-	-	-	-	1064 767
		-	-	-	-	-	-	-	-	-	-	-	-	-	1	-	-	-	1190 452
		2	-	-	-	-	-	-	-	-	-	-	-	-	-	1	1	-	1192 626
	(up to serial No. 8302858)	3	-	-	-	-	-	-	-	-	-	-	-	-	-	-	-	1	1269 791
	(after serial No. 8302858)	3	-	-	-	-	-	-	-	-	-	-	-	-	-	-	-	1	1269 791
		4	-	-	-	-	-	-	-	-	-	-	-	-	-	-	-	1	1274 938
	Bolt, 3/8"-16 x 1 1/4" (to block)	-	2	2	2	2	2	2	2	2	2	2	2	2	2	2	2	12	122 145
	Bolt, 3/8"-16 x 1 1/2" (to block)	-	2	2	2	2	2	2	2	2	2	2	2	2	2	2	2	-	120 918
	Washer, lock	-	4	4	4	4	4	4	4	4	4	4	4	4	4	4	4	12	120 382
	Bolt, 7/16"-14 x 1 3/8" (to block)	-	2	2	-	2	2	2	2	2	2	2	2	2	2	-	-	-	122 273
	Bolt, 7/16"-14 x 1 1/4" (to block)	-	-	-	2	-	-	-	-	-	-	-	-	-	-	-	-	-	122 267
	Bolt, 7/16"-14 x 1 3/8" (to trans. case)	-	4	4	4	-	-	-	-	-	-	-	-	-	-	-	-	-	122 273
	Washer, lock	-	6	6	6	2	2	2	2	2	2	2	2	2	2	-	-	-	120 383
	Bolt, 9/16"-12 x 1 3/4" (to trans. case)	-	-	-	-	4	4	4	4	4	4	4	4	4	4	-	-	-	120 896
	Washer, lock	-	-	-	-	4	4	4	4	4	4	4	4	4	4	-	-	-	120 898
	Bolt, 1/2"-13 x 1 1/2"	-	-	-	-	-	-	-	-	-	-	-	-	-	9	9	9	-	122 433
	Washer, lock	-	-	-	-	-	-	-	-	-	-	-	-	-	9	9	9	-	120 384
	Stud	-	-	-	-	-	-	-	-	-	-	-	-	-	4	4	4	-	112 576
	Nut	-	-	-	-	-	-	-	-	-	-	-	-	-	4	4	4	-	190 514
6-09-6	STUD, Housing to Transmission Case (upper)	-	-	-	-	-	-	-	-	-	-	-	-	-	-	-	-	4	1269 794
	(lower)	-	-	-	-	-	-	-	-	-	-	-	-	-	-	-	-	2	1269 795
	Nut	-	-	-	-	-	-	-	-	-	-	-	-	-	-	-	-	6	124 634
	Washer, lock	-	-	-	-	-	-	-	-	-	-	-	-	-	-	-	-	6	120 898
6-09-10	PLUG, Hole (w/o Fluid Drive)	-	1	1	1	1	1	1	1	1	1	1	1	1	1	1	1	-	660 324
	(w/Fluid Drive)	1	1	1	1	-	-	-	-	-	-	-	-	-	-	-	-	-	868 748
	(w/Fluid Drive) (B-2-B up to serial No. 82182144 Det. and 85303963 Cal. Built; B-2-C up to serial No. 83351578 Det. and 85507134 Cal. Built; B-2-D up to serial No. 81288061 Det. and 86009072 Cal. Built)	2	1	1	1	-	-	-	-	-	-	-	-	-	-	-	-	-	868 748
	(w/Fluid Drive) (B-2-B after serial No. 82182144 Det. and 85303963 Cal. Built; B-2-C after serial No. 83351578 Det. and 85507134 Cal. Built; B-2-D after serial No. 81288061 Det. and 86009072 Cal. Built)	2	1	1	1	-	-	-	-	-	-	-	-	-	-	-	-	-	1322 327

★Indicates use as required.

□Indicates parts not listed in any previous parts books.

Series No. (1 indicates B-1 Series) (2 indicates B-2 Series) (3 indicates B-3 Series) (4 indicates B-4 Series)

Where no Series No. is shown part is for B-1, B-2, B-3 and B-4 Series.

Prices and specifications subject to change without notice.

CODE	PART NAME AND DESCRIPTION	SERIES NO.	MODEL CODES														PART NO.		
			B	C	D	F	G	H & HH	FM	GM	HM & HHM	J	JM	K	KM	R		T	V
CLUTCH HOUSING - Cont'd																			
6-09-10	PLUG, Hole																		1322 327
	(w/Fluid Drive)	3,4	1	1	1	-	-	-	-	-	-	-	-	-	-	-	-	-	1322 327
	(w/TRUCK-O-MATIC Trans.)	4	1	1	-	-	-	-	-	-	-	-	-	-	-	-	-	-	
CLUTCH HOUSING PAN OR COVER																			
6-10-2	PAN (w/o Fluid Drive)	-	1	1	1	-	-	-	-	-	-	-	-	-	-	-	-	-	1266 640
		-	-	-	-	1	1	1	1	1	1	1	1	1	1	1	1	1	1266 640
	Bolt, 5/16"-18 x 5/8"	-	6	6	6	6	6	6	6	6	6	6	6	6	6	6	6	6	580 126
	Washer, lock	-	6	6	6	6	6	6	6	6	6	6	6	6	6	6	6	6	120 228
	PAN (w/Fluid Drive)	1,2	1	1	1	-	-	-	-	-	-	-	-	-	-	-	-	-	120 214
	(w/Fluid Drive) (w/3 Speed Trans.) (B-3-B and B-3-C up to Engine No. T306-54186; B-3-D up to engine No. T310-14426).	3	1	1	1	-	-	-	-	-	-	-	-	-	-	-	-	-	1267 610
	(w/Fluid Drive) (w/3 Speed Trans.) (B-3-B and B-3-C after engine No. T306-54186; B-3-D after engine No. T310-14426).	3	1	1	1	-	-	-	-	-	-	-	-	-	-	-	-	-	1267 610
	(w/Fluid Drive) (w/4 Speed Spur Gear Type Trans.) (up to engine No. T310-14453)	3	-	-	1	-	-	-	-	-	-	-	-	-	-	-	-	-	1267 610
	(w/Fluid Drive) (w/4 Speed Spur Gear Type Trans.) (after engine No. T310-14453)	3	-	-	1	-	-	-	-	-	-	-	-	-	-	-	-	-	1267 610
	(w/Fluid Drive) (w/4 Speed Helical Gear Type Trans.)	3,4	1	1	1	-	-	-	-	-	-	-	-	-	-	-	-	-	1267 610
	(w/TRUCK-O-MATIC Trans.)	4	1	1	-	-	-	-	-	-	-	-	-	-	-	-	-	-	1267 610
	COVER	-	-	-	-	-	-	-	-	-	-	-	-	-	-	-	-	-	1267 610
	Bolt, 5/16"-18 x 3/4"	-	8	8	8	-	-	-	-	-	-	-	-	-	-	-	-	-	1267 610
	Washer, lock	-	8	8	8	-	-	-	-	-	-	-	-	-	-	-	-	-	1267 610
	Washer, lock	-	-	-	-	-	-	-	-	-	-	-	-	-	-	-	-	-	1267 610
	Bolt, 1/4"-20 x 1/2"	-	-	-	-	-	-	-	-	-	-	-	-	-	-	-	-	2	1267 610
	Washer, lock	-	-	-	-	-	-	-	-	-	-	-	-	-	-	-	-	2	1267 610
6-10-9	PLATE, Dust Seal	-	-	-	-	-	-	-	-	-	-	-	-	-	-	1	1	1	1092 552
	Bolt, 5/16"-18 x 3/4"	-	-	-	-	-	-	-	-	-	-	-	-	-	-	2	2	2	122 007
	Washer, lock	-	-	-	-	-	-	-	-	-	-	-	-	-	-	2	2	2	120 214
6-10-10	SEAL, Dust	-	1	1	1	1	1	1	1	1	1	1	1	1	1	-	-	-	600 817
	(upper)	-	1	1	1	1	1	1	1	1	1	1	1	1	1	-	-	-	600 817
	(lower) (w/o Fluid Drive)	-	1	1	1	1	1	1	1	1	1	1	1	1	1	-	-	-	561 082
	(lower) (w/Fluid Drive)	3,4	1	1	-	-	-	-	-	-	-	-	-	-	-	-	-	-	1274 842
	(lower) (w/TRUCK-O-MATIC Trans.)	4	1	1	-	-	-	-	-	-	-	-	-	-	-	-	-	-	1274 842
	(lower) (w/Fluid Drive) (after engine No. T310-15023)	3	-	-	1	-	-	-	-	-	-	-	-	-	-	-	-	-	1274 842
	(lower) (w/Fluid Drive)	4	-	-	1	-	-	-	-	-	-	-	-	-	-	-	-	-	1274 842
	Rivet	-	10	10	10	10	10	10	10	10	10	10	10	10	10	4	4	4	1092 551
6-10-15	SEAL, Dust, w/PLATE	-	1	1	1	1	1	1	1	1	1	1	1	1	1	-	-	-	136 612
	(w/o Fluid Drive)	-	1	1	1	1	1	1	1	1	1	1	1	1	1	-	-	-	561 083
	(w/Fluid Drive)	1,2	1	1	1	-	-	-	-	-	-	-	-	-	-	-	-	-	1262 600
	(w/Fluid Drive)	3,4	1	1	-	-	-	-	-	-	-	-	-	-	-	-	-	-	1274 840
	(w/TRUCK-O-MATIC Trans.)	4	1	1	-	-	-	-	-	-	-	-	-	-	-	-	-	-	1274 840
	(w/Fluid Drive) (up to engine No. T310-15023)	3	-	-	1	-	-	-	-	-	-	-	-	-	-	-	-	-	1262 600

\*Indicates use as required.

Prices and specifications subject to change without notice.

□ Indicates parts not listed in any previous parts books.

Series No. (1 indicates B-1 Series) (2 indicates B-2 Series) (3 indicates B-3 Series) (4 indicates B-4 Series)

Where no Series No. is shown part is for B-1, B-2, B-3 and B-4 Series.

December 31, 1952

CODE	PART NAME AND DESCRIPTION	SERIES NO.	MODEL CODES														PART NO.			
			B	C	D	F	G	H & HH	FM	GM	HM & HHM	J	JM	K	KM	R		T	V	Y
CLUTCH HOUSING PAN OR COVER - Cont'd																				
6-10-15	SEAL, Dust, w/PLATE (w/Fluid Drive) (after engine No. T310-15023) . . . . .	3	-	-	1	-	-	-	-	-	-	-	-	-	-	-	-	-	-	1274 840
	(w/Fluid Drive) . . . . .	4	-	-	1	-	-	-	-	-	-	-	-	-	-	-	-	-	-	1274 840
	Bolt, 5/16"-18 x 5/8" . . . . .	-	2	2	2	2	2	2	2	2	2	2	2	2	2	2	2	2	2	120 228
	Washer, lock . . . . .	-	2	2	2	2	2	2	2	2	2	2	2	2	2	2	2	2	2	120 214
	Bolt, 3/8"-16 x 5/8" . . . . .	-	2	2	2	2	2	2	2	2	2	2	2	2	2	2	2	2	2	122 104
	Washer, lock . . . . .	-	2	2	2	2	2	2	2	2	2	2	2	2	2	2	2	2	2	120 382
6-10-18	SCREW, Dust Seal Plate (small) (w/Fluid Drive) . . . . .	-	2	2	2	-	-	-	-	-	-	-	-	-	-	-	-	-	-	44 650
	Washer, lock . . . . .	-	2	2	2	-	-	-	-	-	-	-	-	-	-	-	-	-	-	121 753
CLUTCH HOUSING VENT SCREEN																				
6-11-2	SCREEN (w/Fluid Drive) . . . . .	-	★	★	★	-	-	-	-	-	-	-	-	-	-	-	-	-	-	698 606
	(w/TRUCK-O-MATIC Trans.) . . . . .	4	3	3	-	-	-	-	-	-	-	-	-	-	-	-	-	-	-	698 606
6-11-6	PIN, Drive (w/Fluid Drive) . . . . .	-	★	★	★	-	-	-	-	-	-	-	-	-	-	-	-	-	-	697 574
	(w/TRUCK-O-MATIC Trans.) . . . . .	4	6	6	-	-	-	-	-	-	-	-	-	-	-	-	-	-	-	697 574
CLUTCH DISC																				
6-13-1	DISC (10" clutch) . . . . .	1	1	1	-	-	-	-	-	-	-	-	-	-	-	-	-	-	-	917 166
	(10" clutch) (w/o Fluid Drive) . . . . .	2,3,4	1	1	-	-	-	-	-	-	-	-	-	-	-	-	-	-	-	1265 948
	(10" clutch) (w/o Fluid Drive) . . . . .	-	-	-	1	-	-	-	-	-	-	-	-	-	-	-	-	-	-	1268 715
	(10" clutch) (w/Fluid Drive) (w/3 Speed Trans.) . . . . .	2,3,4	1	1	1	-	-	-	-	-	-	-	-	-	-	-	-	-	-	697 449
	(10" clutch) (w/Fluid Drive) (w/4 Speed Trans.) . . . . .	2	1	1	1	-	-	-	-	-	-	-	-	-	-	-	-	-	-	1194 269
	(w/TRUCK-O-MATIC Trans.) . . . . .	4	1	1	-	-	-	-	-	-	-	-	-	-	-	-	-	-	-	697 449
	(11" clutch) . . . . .	-	1	1	1	-	-	-	-	-	-	-	-	-	-	-	-	-	-	1266 031
	(10" clutch) . . . . .	1	-	-	1	-	-	1	-	-	-	-	-	-	-	-	-	-	-	1268 716
	(10" clutch) . . . . .	2,3,4	-	-	1	1	-	-	1	-	-	-	-	-	-	-	-	-	-	1265 958
	(11" clutch) . . . . .	-	-	-	1	1	-	1	1	-	-	-	-	-	-	-	-	-	-	1266 026
	(11" clutch) . . . . .	-	-	-	-	-	1	-	-	1	1	1	1	1	-	-	-	-	-	1266 026
	(up to engine No. T190-1216) . . . . .	2	-	-	-	-	-	-	-	-	-	-	-	-	-	-	1	1	-	1195 300
	(after engine No. T190-1216) . . . . .	2	-	-	-	-	-	-	-	-	-	-	-	-	-	-	-	-	1	1195 301
	(up to engine No. T190-1216) . . . . .	3,4	-	-	-	-	-	-	-	-	-	-	-	-	-	-	-	-	1	1271 362
6-13-4	FACING (10" clutch) . . . . .	-	2	2	2	-	-	-	-	-	-	-	-	-	-	-	-	-	-	684 364
	(11" clutch) . . . . .	1	2	2	2	-	-	-	-	-	-	-	-	-	-	-	-	-	-	684 389
	(11" clutch) . . . . .	2,3,4	2	2	2	-	-	-	-	-	-	-	-	-	-	-	-	-	-	1311 949
	(10" clutch) . . . . .	1	-	-	2	-	-	2	-	-	-	-	-	-	-	-	-	-	-	920 064
	(front) (10" clutch) . . . . .	2,3,4	-	-	1	1	-	-	1	-	-	-	-	-	-	-	-	-	-	1265 959
	(rear) (10" clutch) . . . . .	2,3,4	-	-	1	1	-	-	1	-	-	-	-	-	-	-	-	-	-	684 364
	(11" clutch) . . . . .	1	-	-	2	-	-	2	-	-	-	-	-	-	-	-	-	-	-	623 886
	(11" clutch) . . . . .	2,3,4	-	-	2	2	-	2	-	-	-	-	-	-	-	-	-	-	-	1266 028
	(up to engine No. T190-1216) . . . . .	1	-	-	-	-	2	-	2	2	2	2	2	2	-	-	-	-	-	623 886
	(after engine No. T190-1216) . . . . .	2,3,4	-	-	-	-	2	-	2	2	2	2	2	2	-	-	-	-	-	1266 028
	(up to engine No. T190-1216) . . . . .	-	-	-	-	-	-	-	-	-	-	-	-	-	2	2	-	-	-	1190 438
	(after engine No. T190-1216) . . . . .	2	-	-	-	-	-	-	-	-	-	-	-	-	-	-	2	2	-	925 887
	(up to engine No. T190-1216) . . . . .	2	-	-	-	-	-	-	-	-	-	-	-	-	-	-	-	-	2	925 887
	(after engine No. T190-1216) . . . . .	3,4	-	-	-	-	-	-	-	-	-	-	-	-	-	-	-	-	2	1271 363
6-13-8	RIVET, Facing (10" clutch) . . . . .	-	36	36	36	36	36	-	36	36	-	-	-	-	-	-	-	-	-	660 146
	(11" clutch) . . . . .	-	40	40	40	40	40	-	40	40	-	-	-	-	-	-	-	-	-	660 146
	(11" clutch) . . . . .	-	-	-	-	-	40	-	-	40	40	40	40	40	-	-	-	-	-	660 146
	(11" clutch) . . . . .	-	-	-	-	-	-	-	-	-	-	-	-	-	36	36	36	36	-	76 390

★ Indicates use as required.

☐ Indicates parts not listed in any previous parts books.

Series No. (1 indicates B-1 Series) (2 indicates B-2 Series) (3 indicates B-3 Series) (4 indicates B-4 Series)

Where no Series No. is shown part is for B-1, B-2, B-3 and B-4 Series.

Prices and specifications subject to change without notice.

CODE	PART NAME AND DESCRIPTION	SERIES NO.	MODEL CODES																PART NO.
			B	C	D	F	G	H & HH	FM	GM	HM & HHM	J	JM	K	KM	R	T	V	
<b>CLUTCH COVER AND PRESSURE PLATE ASSEMBLY</b>																			
6-14-1	COVER, w/Pressure PLATE																		
	(10" clutch) . . . . .	1	1	1	1	-	-	-	-	-	-	-	-	-	-	-	-	-	-
	(10" clutch) (w/o Fluid Drive) . . . . .	2, 3, 4	1	1	1	-	-	-	-	-	-	-	-	-	-	-	-	-	-
	(10" clutch) (w/Fluid Drive) . . . . .	2, 3, 4	1	1	1	-	-	-	-	-	-	-	-	-	-	-	-	-	-
	(11" clutch) . . . . .	-	1	1	1	-	-	-	-	-	-	-	-	-	-	-	-	-	-
	(w/TRUCK-O-MATIC Trans.) . . . . .	4	1	1	-	-	-	-	-	-	-	-	-	-	-	-	-	-	-
	(10" clutch) . . . . .	1	-	-	1	-	-	1	-	-	-	-	-	-	-	-	-	-	-
	(10" clutch) . . . . .	2, 3, 4	-	-	-	1	1	-	-	1	-	-	-	-	-	-	-	-	-
	(11" clutch) . . . . .	-	-	-	-	1	1	-	1	1	-	-	-	-	-	-	-	-	-
		-	-	-	-	-	-	1	-	-	1	1	1	1	-	-	-	-	-
		-	-	-	-	-	-	-	-	-	-	-	-	-	1	-	-	-	-
		-	-	-	-	-	-	-	-	-	-	-	-	-	-	1	1	1	-
		-	-	-	-	-	-	-	-	-	-	-	-	-	-	-	-	-	1265 902
6-14-5	COVER																		
	(10" clutch) . . . . .	-	1	1	1	1	1	-	1	1	-	-	-	-	-	-	-	-	-
	(w/TRUCK-O-MATIC Trans.) . . . . .	4	1	1	-	-	-	-	-	-	-	-	-	-	-	-	-	-	-
	(11" clutch) . . . . .	1	1	1	1	1	-	-	1	-	-	-	-	-	-	-	-	-	-
	(11" clutch) . . . . .	2, 3, 4	1	1	1	1	1	-	-	1	-	-	-	-	-	-	-	-	-
		1	-	-	-	-	-	1	-	-	1	1	1	1	1	-	-	-	-
		2, 3, 4	-	-	-	-	-	1	-	-	1	1	1	1	-	-	-	-	-
6-14-10	SCREW, Cover to Flywheel																		
	(10" clutch) (w/o Fluid Drive) . . . . .	-	6	6	6	6	6	-	6	6	-	-	-	-	-	-	-	-	-
	(10" clutch) (w/Fluid Drive) . . . . .	-	6	6	6	-	-	-	-	-	-	-	-	-	-	-	-	-	-
	(w/TRUCK-O-MATIC Trans.) . . . . .	4	6	6	-	-	-	-	-	-	-	-	-	-	-	-	-	-	-
	(11" clutch) . . . . .	-	8	8	8	8	8	-	8	8	-	-	-	-	-	-	-	-	-
		-	-	-	-	-	-	8	-	-	8	8	8	8	-	-	-	-	-
		-	-	-	-	-	-	-	-	-	8	8	8	8	8	8	8	8	-
		-	-	-	-	-	-	-	-	-	-	-	-	-	-	-	-	-	314 926
		-	-	-	-	-	-	-	-	-	-	-	-	-	-	-	-	-	1119 890
		-	-	-	-	-	-	-	-	-	-	-	-	-	-	-	-	-	1119 890
		-	-	-	-	-	-	-	-	-	-	-	-	-	-	-	-	-	314 926
		-	-	-	-	-	-	-	-	-	-	-	-	-	-	-	-	-	314 926
		-	-	-	-	-	-	-	-	-	-	-	-	-	-	-	-	-	925 897
	Washer, lock. . . . .	-	★	★	★	★	★	8	★	★	8	8	8	8	8	8	8	8	8
6-14-12	COVER, w/Driving STRAP																		
		-	-	-	-	-	-	-	-	-	-	-	-	-	-	1	-	-	-
		-	-	-	-	-	-	-	-	-	-	-	-	-	-	1	1	1	1
6-14-13	SCREW, Driving Strap																		
		-	-	-	-	-	-	-	-	-	-	-	-	-	4	4	4	4	4
6-14-14	RIVET, Driving Strap																		
		-	-	-	-	-	-	-	-	-	-	-	-	-	4	4	4	4	4
6-14-15	STRAP, Driving																		
		-	-	-	-	-	-	-	-	-	-	-	-	-	8	8	8	8	8
6-14-16	LOCK, Driving Strap Screw																		
		-	-	-	-	-	-	-	-	-	-	-	-	-	4	4	4	4	4
<b>CLUTCH PRESSURE PLATE</b>																			
6-15-1	PLATE																		
	(10" clutch) . . . . .	1	1	1	1	1	-	-	1	-	-	-	-	-	-	-	-	-	-
	(10" clutch) . . . . .	2, 3, 4	1	1	1	1	1	-	-	1	-	-	-	-	-	-	-	-	-
	(11" clutch) . . . . .	1	1	1	1	1	-	-	1	-	-	-	-	-	-	-	-	-	-
	(11" clutch) . . . . .	2, 3, 4	1	1	1	1	1	-	-	1	-	-	-	-	-	-	-	-	-
		1	-	-	-	-	-	1	-	-	1	1	1	1	1	-	-	-	-
		2, 3, 4	-	-	-	-	-	1	-	-	1	1	1	1	1	-	-	-	-
		-	-	-	-	-	-	-	-	-	-	-	-	-	-	1	-	-	-
		-	-	-	-	-	-	-	-	-	-	-	-	-	-	1	1	1	-
		-	-	-	-	-	-	-	-	-	-	-	-	-	-	-	-	-	684 363
		-	-	-	-	-	-	-	-	-	-	-	-	-	-	-	-	-	1142 472
		-	-	-	-	-	-	-	-	-	-	-	-	-	-	-	-	-	1142 473
		-	-	-	-	-	-	-	-	-	-	-	-	-	-	-	-	-	1266 025
		-	-	-	-	-	-	-	-	-	-	-	-	-	-	-	-	-	1142 473
		-	-	-	-	-	-	-	-	-	-	-	-	-	-	-	-	-	1266 025
		-	-	-	-	-	-	-	-	-	-	-	-	-	-	1	-	-	-
		-	-	-	-	-	-	-	-	-	-	-	-	-	-	-	1	1	1
		-	-	-	-	-	-	-	-	-	-	-	-	-	-	-	-	-	925 889
<b>CLUTCH PRESSURE SPRING</b>																			
6-16-1	SPRING																		
	(10" clutch) . . . . .	1	9	9	9	-	-	-	-	-	-	-	-	-	-	-	-	-	-
	(11" clutch) . . . . .	1	12	12	12	-	-	-	-	-	-	-	-	-	-	-	-	-	-
	(10" clutch) (w/o Fluid Drive) . . . . .	2, 3, 4	9	9	9	-	-	-	-	-	-	-	-	-	-	-	-	-	-
	(10" clutch) (w/Fluid Drive) . . . . .	2, 3, 4	9	9	9	-	-	-	-	-	-	-	-	-	-	-	-	-	-
	(11" clutch) . . . . .	2, 3, 4	8	8	8	-	-	-	-	-	-	-	-	-	-	-	-	-	-
	(w/TRUCK-O-MATIC Trans.) . . . . .	4	9	9	-	-	-	-	-	-	-	-	-	-	-	-	-	-	-
	(10" clutch) . . . . .	1	-	-	-	9	-	-	9	-	-	-	-	-	-	-	-	-	-
	(10" clutch) . . . . .	2, 3, 4	-	-	-	9	9	-	-	9	-	-	-	-	-	-	-	-	-
	(11" clutch) . . . . .	1	-	-	-	12	-	-	12	-	-	-	-	-	-	-	-	-	-
		-	-	-	-	-	-	-	-	-	-	-	-	-	-	-	-	-	-

★Indicates use as required.

Prices and specifications subject to change without notice.

☐Indicates parts not listed in any previous parts books.

Series No. (1 indicates B-1 Series) (2 indicates B-2 Series) (3 indicates B-3 Series) (4 indicates B-4 Series)

Where no Series No. is shown part is for B-1, B-2, B-3 and B-4 Series.

Printed in U.S.A.



CODE	PART NAME AND DESCRIPTION	SERIES NO.	MODEL CODES													PART NO.			
			B	C	D	F	G	H & HH	FM	GM	HM & HHM	J	JM	K	KM		R	T	V
CLUTCH PRESSURE SPRING - Cont'd																			
6-16-1	SPRING (11" clutch)	2, 3, 4	-	-	-	8	8	-	-	8	-	-	-	-	-	-	-	-	393 613
		1	-	-	-	-	-	-	12	-	12	12	12	-	-	-	-	-	634 753
		2, 3, 4	-	-	-	-	8	-	-	8	8	8	8	8	-	-	-	-	393 613
			-	-	-	-	-	-	-	-	-	-	-	-	8	16	16	-	634 753
		1, 2	-	-	-	-	-	-	-	-	-	-	-	-	8	-	-	-	637 347
		3, 4	-	-	-	-	-	-	-	-	-	-	-	-	8	-	-	-	670 103
			-	-	-	-	-	-	-	-	-	-	-	-	-	-	16	-	670 103
CLUTCH RELEASE LEVER																			
6-17-1	LEVER (10" clutch)	-	3	3	3	3	3	-	3	3	-	-	-	-	-	-	-	-	683 963
	(11" clutch)	-	4	4	4	4	4	-	4	4	-	-	-	-	-	-	-	-	683 963
		-	-	-	-	-	-	-	-	-	4	4	4	4	4	-	-	-	683 963
		-	-	-	-	-	-	-	-	-	-	-	-	-	4	4	4	4	1271 905
6-17-2	PIN, Clevis (10" clutch)	-	3	3	3	3	3	-	3	3	-	-	-	-	-	-	-	-	619 463
	(11" clutch)	-	4	4	4	4	4	-	4	4	-	-	-	-	-	-	-	-	619 463
		-	-	-	-	-	-	-	-	-	4	4	4	4	4	4	4	4	619 463
6-17-8	SPRING (10" clutch)	-	3	3	3	3	3	-	3	3	-	-	-	-	-	-	-	-	622 915
	(11" clutch)	-	4	4	4	4	4	-	4	4	-	-	-	-	-	-	-	-	316 767
		-	-	-	-	-	-	-	-	-	4	4	4	4	4	4	4	4	316 767
6-17-11	STRUT (10" clutch)	-	3	3	3	3	3	-	3	3	-	-	-	-	-	-	-	-	619 466
	(11" clutch)	-	4	4	4	4	4	-	4	4	-	-	-	-	-	-	-	-	619 466
		-	-	-	-	-	-	-	-	-	4	4	4	4	4	4	4	4	619 466
CLUTCH PRESSURE PLATE EYE BOLT AND NUT																			
6-18-1	EYE BOLT, w/NUT (10" clutch)	-	3	3	3	3	3	-	3	3	-	-	-	-	-	-	-	-	1088 101
	(11" clutch)	-	4	4	4	4	4	-	4	4	-	-	-	-	-	-	-	-	623 764
		-	-	-	-	-	-	-	-	-	4	4	4	4	4	4	4	4	623 764
		-	-	-	-	-	-	-	-	-	-	-	-	-	4	4	4	4	1088 101
CLUTCH RELEASE BEARING																			
6-19-2	BEARING, w/SLEEVE (w/o TRUCK-O-MATIC Trans)	-	1	1	-	-	-	-	-	-	-	-	-	-	-	-	-	-	581 498
	(w/TRUCK-O-MATIC Trans)	4	1	1	-	-	-	-	-	-	-	-	-	-	-	-	-	-	EH501 242
		-	-	-	1	1	1	1	1	1	1	1	1	1	-	-	-	-	581 498
		-	-	-	-	-	-	-	-	-	-	-	-	-	1	1	1	-	1190 448
6-19-3	BEARING, w/o Sleeve	-	1	1	1	1	1	1	1	1	1	1	1	1	-	-	-	1	581 499
		-	-	-	-	-	-	-	-	-	-	-	-	-	1	1	1	-	583 830
CLUTCH RELEASE BEARING SLEEVE																			
6-20-2	SLEEVE	-	-	-	-	-	-	-	-	-	-	-	-	-	-	-	-	1	1269 803
6-20-14	SPRING, Bearing Pull-Back	-	1	1	1	1	1	1	1	1	1	1	1	1	1	1	1	-	573 318
		-	-	-	-	-	-	-	-	-	-	-	-	-	-	-	-	1	1269 804
6-20-16	SCREW, Bearing Pull-Back Spring	-	1	1	1	1	1	1	1	1	1	1	1	1	1	1	1	-	1261 327
6-20-17	CLIP, Bearing Pull-Back Spring	-	-	-	-	-	-	-	-	-	-	-	-	-	-	-	-	1	1190 450
		-	-	-	-	-	-	-	-	-	-	-	-	-	-	-	-	1	1269 805
	Screw or Bolt, 1/4"-20 x 1/2"	-	-	-	-	-	-	-	-	-	-	-	-	-	1	1	1	-	120 628
	Washer, lock	-	-	-	-	-	-	-	-	-	-	-	-	-	1	1	1	-	121 753
CLUTCH RELEASE FORK OR YOKE																			
6-22-1	FORK	-	1	1	1	1	1	1	1	1	1	1	1	1	-	-	-	-	1272 226
		-	-	-	-	-	-	-	-	-	-	-	-	-	1	1	1	-	1190 489
	YOKE	-	-	-	-	-	-	-	-	-	-	-	-	-	-	-	-	1	1269 800
	Key, Woodruff	-	-	-	-	-	-	-	-	-	-	-	-	-	-	-	-	1	120 502

★ Indicates use as required.

☐ Indicates parts not listed in any previous parts books.

Series No. (1 indicates B-1 Series) (2 indicates B-2 Series) (3 indicates B-3 Series) (4 indicates B-4 Series)

Where no Series No. is shown part is for B-1, B-2, B-3 and B-4 Series.

Prices and specifications subject to change without notice.

CODE	PART NAME AND DESCRIPTION	SERIES NO.	MODEL CODES													PART NO.			
			B	C	D	F	G	H & HH	FM	GM	HM & HHM	J	JM	K	KM		R	T	V
CLUTCH RELEASE FORK OR YOKE - Cont'd																			
6-22-2	BUSHING . . . . .	-	1	1	1	1	1	1	1	1	1	1	1	1	1	1	1	-	50 519
6-22-11	SCREW, Yoke . . . . .	-	-	-	-	-	-	-	-	-	-	-	-	-	-	-	-	2	1269 801
6-22-12	LOCKWIRE, Yoke Screw . . . . .	-	-	-	-	-	-	-	-	-	-	-	-	-	-	-	-	2	572 551
6-22-30	BRACE (w/TRUCK-O-MATIC Trans) . . . . .	4	1	1	-	-	-	-	-	-	-	-	-	-	-	-	-	-	E1500 320
CLUTCH RELEASE FORK FLANGE																			
6-26-1	FLANGE, w/BUSHING . . . . .	-	1	1	1	1	1	1	1	1	1	1	1	1	1	1	1	-	1273 663
	Screw or Bolt, 5/16"-18 x 7/8"	-	2	2	2	2	2	2	2	2	2	2	2	2	2	2	2	-	120 229
	Washer, lock . . . . .	-	2	2	2	2	2	2	2	2	2	2	2	2	2	2	2	-	120 214
6-26-12	BUSHING . . . . .	-	1	1	1	1	1	1	1	1	1	1	1	1	1	1	1	-	580 902
6-26-14	FELT . . . . .	-	1	1	1	1	1	1	1	1	1	1	1	1	1	1	1	-	306 769
CLUTCH RELEASE FORK LEVER																			
6-27-2	LEVER (w/Fluid Drive) . . . . .	-	1	1	1	-	-	-	-	-	-	-	-	-	-	-	-	-	1267 542
	(w/TRUCK-O-MATIC Trans) . . . . .	4	1	1	-	-	-	-	-	-	-	-	-	-	-	-	-	-	1267 542
	Bolt, 3/8"-24 x 2" . . . . .	-	1	1	1	-	-	-	-	-	-	-	-	-	-	-	-	-	120 678
	Nut . . . . .	-	1	1	1	-	-	-	-	-	-	-	-	-	-	-	-	-	120 369
	Washer, lock . . . . .	-	1	1	1	-	-	-	-	-	-	-	-	-	-	-	-	-	120 382
	Key, Woodruff . . . . .	-	1	1	1	-	-	-	-	-	-	-	-	-	-	-	-	-	103 907
6-27-5	SPRING, Pedal Pull-Back . . . . .	-	1	1	1	1	1	1	-	-	1	-	1	-	1	1	1	1	563 753
6-27-6	BRACKET, Pedal Pull-Back	-	1	1	1	-	-	-	-	-	-	-	-	-	-	-	-	-	-
	Spring . . . . .	-	1	1	-	-	-	-	-	-	-	-	-	-	-	-	-	-	561 351
	Bolt, 3/8"-16 x 3/4" . . . . .	-	2	2	2	2	2	2	-	-	2	-	2	-	-	-	-	-	122 119
	Washer, lock . . . . .	-	2	2	2	2	2	2	-	-	2	-	2	-	-	-	-	-	120 382
6-27-12	SPACER (w/Fluid Drive) . . . . .	-	1	1	1	-	-	-	-	-	-	-	-	-	-	-	-	-	1190 179
	(w/TRUCK-O-MATIC Trans) . . . . .	4	1	1	-	-	-	-	-	-	-	-	-	-	-	-	-	-	1190 179
CLUTCH PEDAL																			
6-38-1	PEDAL . . . . .	1	1	1	1	-	-	-	-	-	-	-	-	-	-	-	-	-	1262 605
	(w/o Fluid Drive) . . . . .	2	1	1	1	-	-	-	-	-	-	-	-	-	-	-	-	-	1264 691
	(w/o Fluid Drive) . . . . .	3,4	1	1	1	-	-	-	-	-	-	-	-	-	-	-	-	-	1272 871
	(w/Fluid Drive) . . . . .	2	1	1	1	-	-	-	-	-	-	-	-	-	-	-	-	-	1267 551
	(w/Fluid Drive) . . . . .	3,4	1	1	1	-	-	-	-	-	-	-	-	-	-	-	-	-	1273 739
	(w/TRUCK-O-MATIC Trans) . . . . .	4	1	1	-	-	-	-	-	-	-	-	-	-	-	-	-	-	1273 739
		-	-	-	1	1	1	-	-	1	-	1	-	1	1	1	-	-	1262 605
		-	-	-	-	-	-	-	1	1	1	-	1	-	1	-	-	-	595 747
		2	-	-	-	-	-	-	-	-	-	-	-	-	-	-	-	1	1267 265
	(up to serial No. 8302858) . . . . .	3	-	-	-	-	-	-	-	-	-	-	-	-	-	-	-	1	1267 265
	(after serial No. 8302858) . . . . .	3	-	-	-	-	-	-	-	-	-	-	-	-	-	-	-	1	1274 936
		4	-	-	-	-	-	-	-	-	-	-	-	-	-	-	-	1	1274 936
	Fitting, lubricant . . . . .	-	1	1	1	-	-	-	-	-	-	-	-	-	-	-	-	-	145 433
	Fitting, lubricant . . . . .	-	-	-	-	-	-	-	1	1	1	-	1	-	1	-	-	-	145 436
	Pin, cotter . . . . .	-	-	-	-	-	-	-	1	1	1	-	1	-	1	-	-	-	119 209
	Washer, plain . . . . .	-	-	-	-	-	-	-	1	1	1	-	1	-	1	-	-	-	131 017
6-38-3	BUSHING (w/Fluid Drive) . . . . .	-	1	1	1	-	-	-	-	-	-	-	-	-	-	-	-	-	385 386
	(w/TRUCK-O-MATIC Trans) . . . . .	4	1	1	-	-	-	-	-	-	-	-	-	-	-	-	-	-	385 386
		-	-	-	-	-	-	-	1	1	1	-	1	-	1	-	-	-	580 902
		2	-	-	-	-	-	-	-	-	-	-	-	-	-	-	-	1	560 517
	(up to serial No. 8302858) . . . . .	3	-	-	-	-	-	-	-	-	-	-	-	-	-	-	-	1	560 517
	(after serial No. 8302858) . . . . .	3	-	-	-	-	-	-	-	-	-	-	-	-	-	-	-	1	385 386
		4	-	-	-	-	-	-	-	-	-	-	-	-	-	-	-	1	385 386
6-38-12	ARM, Adjusting . . . . .	-	-	-	-	-	-	-	-	-	-	-	-	-	-	-	-	1	1269 807
	Bolt, 3/8"-24 x 1 3/4" . . . . .	-	-	-	-	-	-	-	-	-	-	-	-	-	-	-	-	1	120 668
	Nut . . . . .	-	-	-	-	-	-	-	-	-	-	-	-	-	-	-	-	1	120 369
	Washer, lock . . . . .	-	-	-	-	-	-	-	-	-	-	-	-	-	-	-	-	1	120 382

★Indicates use as required.

Prices and specifications subject to change without notice.

ⓁIndicates parts not listed in any previous parts books.

Series No. (1 indicates B-1 Series) (2 indicates B-2 Series) (3 indicates B-3 Series) (4 indicates B-4 Series)

Where no Series No. is shown part is for B-1, B-2, B-3 and B-4 Series.

CODE	PART NAME AND DESCRIPTION	SERIES NO.	MODEL CODES														PART NO.		
			B	C	D	F	G	H & HH	FM	GM	HM & HHM	J	JM	K	KM	R		T	V
<b>CLUTCH PEDAL PAD</b>																			
6-39-2	PAD, Pedal (rubber) . . . . .	1	1	1	1	1	1	1	1	1	1	1	1	1	1	1	1	1	1272 605
6-39-3	PAD, Draft . . . . .	1	1	1	1	1	1	1	1	1	1	1	1	1	1	1	1	1	1319 926
<b>CLUTCH PEDAL SHAFT OR RELEASE SHAFT</b>																			
6-43-1	SHAFT (right) . . . . .	-	-	-	-	-	-	-	-	-	-	-	-	-	-	-	-	1	1269 798
	(left) . . . . .	-	-	-	-	-	-	-	-	-	-	-	-	-	-	-	-	1	1269 799
6-43-2	SPACER, Lever . . . . .	-	-	-	-	-	-	-	-	-	-	-	-	-	-	-	-	1	1267 269
6-43-5	BUSHING . . . . .	-	-	-	-	-	-	-	-	-	-	-	-	-	-	-	-	4	1269 793
6-43-11	LEVER . . . . .	-	-	-	-	-	-	-	-	-	-	-	-	-	-	-	-	1	1267 268
<b>CLUTCH PEDAL ADJUSTING COLLAR OR SCREW</b>																			
6-45-1	SCREW . . . . .	-	-	-	-	-	-	-	-	-	-	-	-	-	-	-	-	1	1269 808
	Nut . . . . .	-	-	-	-	-	-	-	-	-	-	-	-	-	-	-	-	1	120 378
6-45-3	COLLAR (w/o Fluid Drive) . . . . .	-	1	1	1	1	1	1	-	-	-	1	-	1	-	1	1	1	33 106
	Screw or Bolt, 3/8"-16 x 1 1/2" (clamp) . . . . .	-	1	1	1	1	1	1	-	-	-	1	-	1	-	1	1	1	120 918
	Washer, lock . . . . .	-	1	1	1	1	1	1	-	-	-	1	-	1	-	1	1	1	120 382
	Screw, 3/8"-16 x 1 1/2" (set) . . . . .	-	2	2	2	2	2	2	-	-	-	2	-	2	-	2	2	2	102 898
	Nut . . . . .	-	2	2	2	2	2	2	-	-	-	2	-	2	-	2	2	2	120 377
	Key, Woodruff . . . . .	-	1	1	1	1	1	1	-	-	-	1	-	1	-	1	1	1	103 907
<b>CLUTCH OPERATING LEVER</b>																			
6-48-1	LEVER . . . . .	-	-	-	-	-	-	-	1	1	1	-	1	-	1	-	-	-	1195 590
	Bolt or Screw, 3/8"-16 x 1 1/2" . . . . .	-	-	-	-	-	-	-	1	1	1	-	1	-	1	-	-	-	120 918
	Washer, lock . . . . .	-	-	-	-	-	-	-	1	1	1	-	1	-	1	-	-	-	120 382
	Key, Woodruff . . . . .	-	-	-	-	-	-	-	1	1	1	-	1	-	1	-	-	-	103 907
6-48-3	SPRING, Return . . . . .	-	-	-	-	-	-	-	1	1	1	-	1	-	1	-	-	-	563 753
6-48-22	ROD . . . . .	-	-	-	-	-	-	-	1	1	1	-	1	-	1	-	-	-	1195 593
	Lever to Pedal . . . . .	-	-	-	-	-	-	-	-	-	-	-	-	-	-	-	-	1	1267 270
	Yoke . . . . .	-	-	-	-	-	-	-	1	1	1	-	1	-	1	-	-	-	104 039
	Nut . . . . .	-	-	-	-	-	-	-	1	1	1	-	1	-	1	-	-	-	120 371
	Pin, cotter . . . . .	-	-	-	-	-	-	-	-	-	-	-	-	-	-	-	-	2	103 373
	Washer, plain . . . . .	-	-	-	-	-	-	-	-	-	-	-	-	-	-	-	-	1	120 394
6-48-25	PIN, Adjustable End Yoke Clevis . . . . .	-	-	-	-	-	-	-	2	2	2	-	2	-	2	-	-	-	657 929
	Pin, cotter . . . . .	-	-	-	-	-	-	-	2	2	2	-	2	-	2	-	-	-	119 209
<b>CLUTCH OPERATING ROD</b>																			
6-50-1	ROD (w/Fluid Drive) . . . . .	-	1	1	1	-	-	-	-	-	-	-	-	-	-	-	-	-	1267 539
	(w/TRUCK-O-MATIC Trans.) . . . . .	4	1	1	-	-	-	-	-	-	-	-	-	-	-	-	-	-	1267 539
	Pin, clevis . . . . .	-	2	2	2	-	-	-	-	-	-	-	-	-	-	-	-	-	138 084
	Pin, cotter . . . . .	-	2	2	2	-	-	-	-	-	-	-	-	-	-	-	-	-	103 373
	Yoke . . . . .	-	1	1	1	-	-	-	-	-	-	-	-	-	-	-	-	-	116 536
	Nut . . . . .	-	1	1	1	-	-	-	-	-	-	-	-	-	-	-	-	-	124 925

NOTES

★Indicates use as required.

Prices and specifications subject to change without notice.

☐Indicates parts not listed in any previous parts books.

Series No. (1 indicates B-1 Series) (2 indicates B-2 Series) (3 indicates B-3 Series) (4 indicates B-4 Series)

Where no Series No. is shown part is for B-1, B-2, B-3 and B-4 Series.

