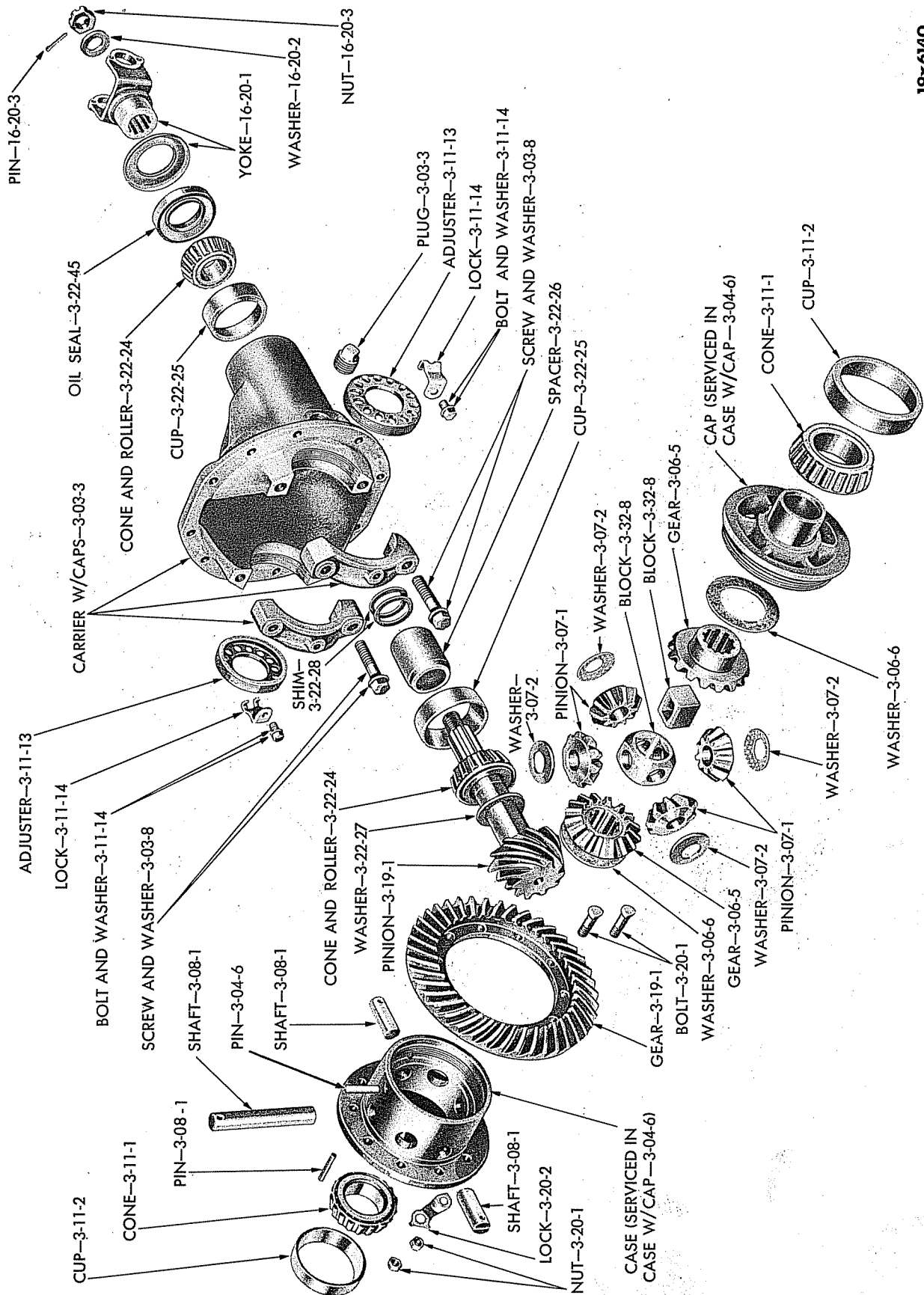


GROUP 3 - AXLE - REAR

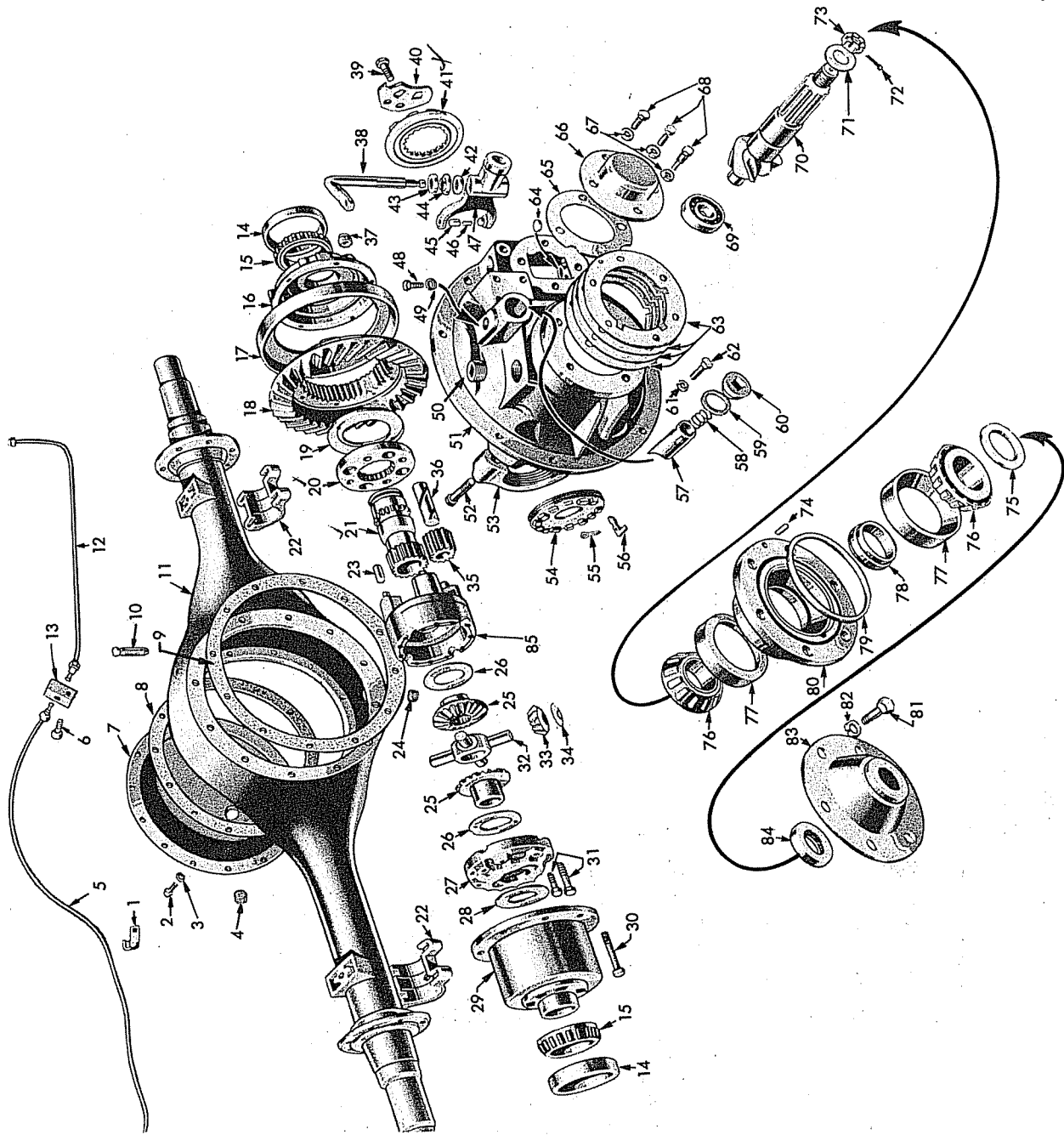
19x6140



REAR AXLE DIFFERENTIAL (HYPOID) (1/2 AND 3/4 TON) (EXPLODED VIEW)

Plate 3-1

19-4075



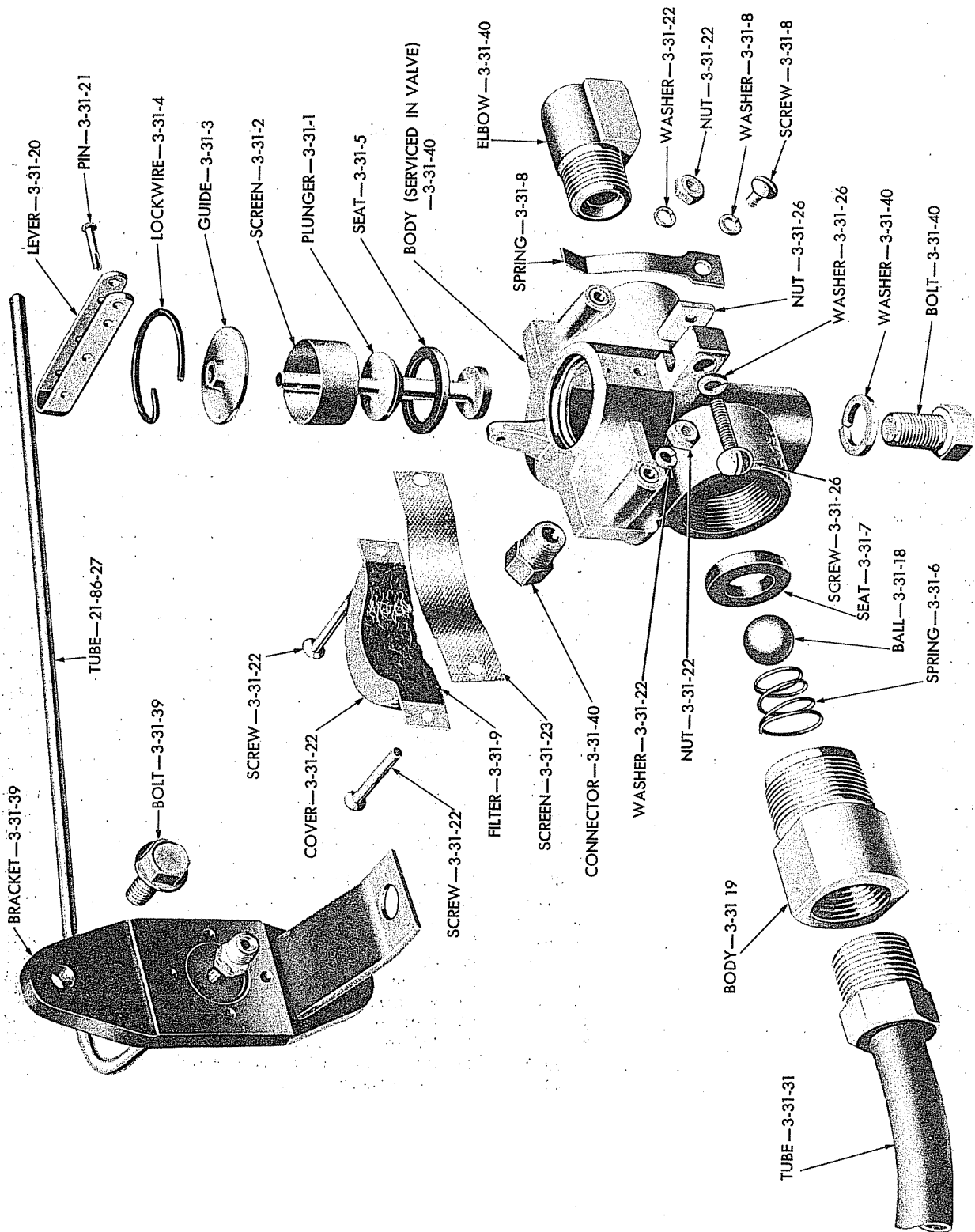
REAR AXLE (2 SPEED) (EXCEPT R, T, V AND Y) (EXPLODED VIEW)

Plate 3-2

Plate 3-2

REAR AXLE (2 SPEED) (EXCEPT R, T, V AND Y) (EXPLODED VIEW)

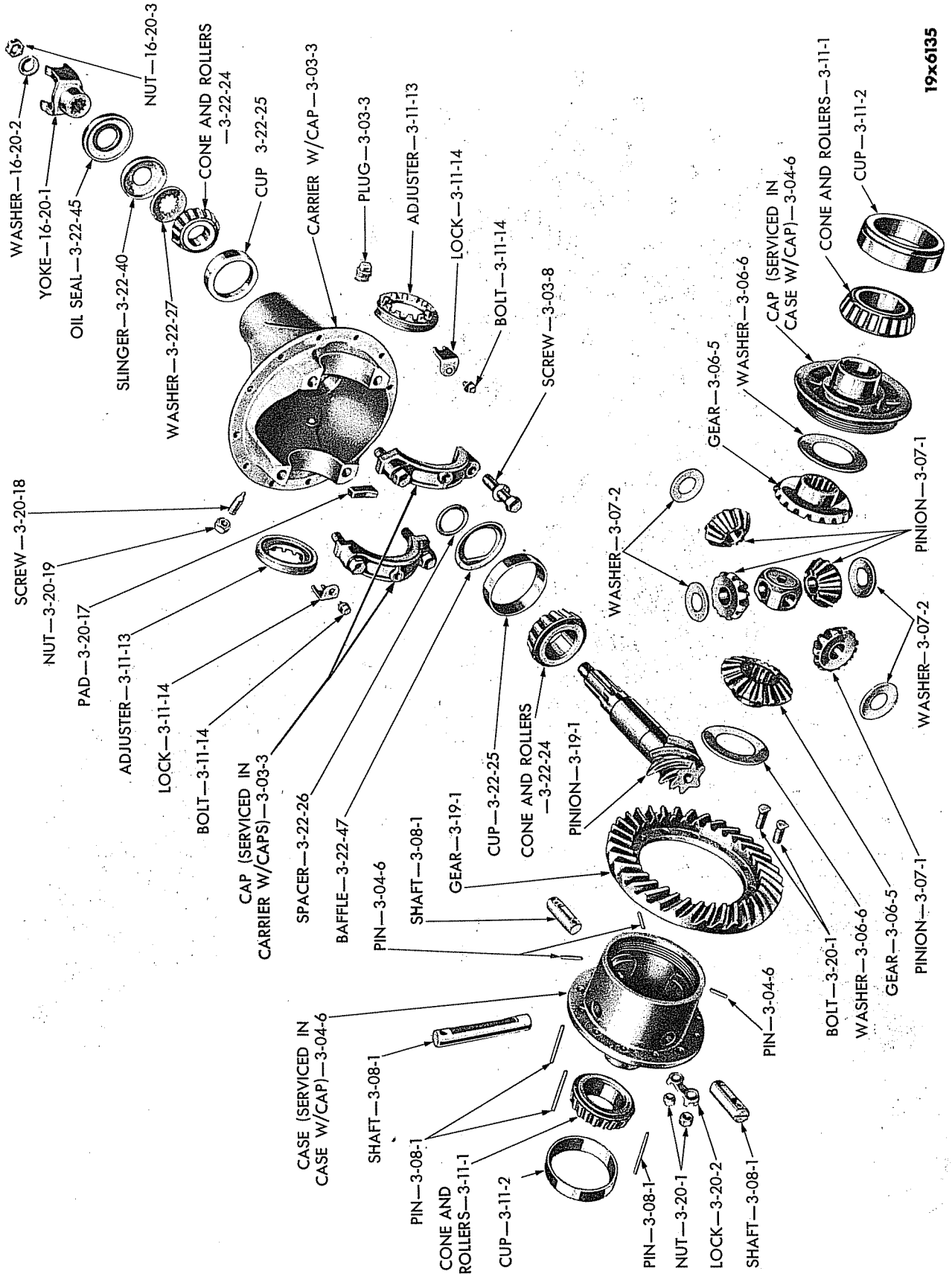
Ref. No.	Name	Part Type Code	Ref. No.	Name	Part Type Code
1	Clip	5-56-2	44	Retainer	3-49-7
2	Bolt	3-02-3	45	Roller	3-51-3
3	Washer	3-02-3	46	Pin	3-51-4
4	Plug	3-02-3	47	Fork	3-51-2
5	Tube	5-54-1	48	Screw	3-03-54
6	Screw	5-58-3	49	Washer	3-03-54
7	Cover	3-02-3	50	Plug	3-03-3
8	Gasket	3-02-6	51	Carrier, w/Caps	3-03-3
9	Gasket	3-03-25	52	Screw	3-03-8
10	Nipple, Vent	3-02-20	53	Cap (serviced in Carrier, w/Caps)	3-03-3
11	Housing	3-02-1	54	Adjuster	3-11-13
12	Tube	5-54-1	55	Pin	3-11-14
13	Tee	5-58-1	56	Lock	3-11-14
14	Cup	3-11-2	57	Distributor	3-03-49
15	Cone and Rollers	3-11-1	58	Spring	3-03-53
16	Case	3-05-1	59	Gasket	3-03-52
17	Drum	3-03-50	60	Plug	3-03-51
18	Gear	3-19-1	61	Washer	3-03-26
19	Washer	3-48-16	62	Screw	3-03-26
20	Plate	3-48-14	63	Shim	3-23-5
21	Gear	3-50-1	64	Plug	3-49-2
22	Plate	17-11-7	65	Gasket	3-51-20
23	Dowel	3-48-15	66	Cover	3-51-19
24	Plug	3-02-1	67	Washer	3-51-22
25	Gear	3-06-5	68	Screw	3-51-22
26	Washer	3-06-6	69	Bearing	3-22-7
27	Cap (serviced in Differential, w/o Gears)	3-04-6	70	Pinion	3-19-1
28	Washer	3-05-3	71	Washer	16-20-2
29	Case	3-05-1	72	Pin	16-20-3
30	Bolt	3-05-4	73	Nut	16-20-3
31	Screw	3-04-10	74	Pin	3-23-1
32	Spider	3-10-1	75	Washer	3-22-27
33	Pinion	3-07-1	76	Cone and Rollers	3-22-24
34	Washer	3-07-2	77	Cup	3-22-25
35	Pinion	3-30-1	78	Spacer	3-22-26
36	Pin	3-30-2	79	Oil Seal	3-23-14
37	Nut	3-05-5	80	Cage, w/Cup	3-23-1
38	Shaft	3-49-2	81	Screw	3-23-15
39	Screw	3-11-17	82	Washer	3-23-15
40	Lock	3-11-14	83	Retainer	3-22-79
41	Adjuster	3-11-13	84	Oil Seal	3-22-45
42	Washer	3-49-6	85	Case (serviced in Differential w/o Gears)	3-04-6
43	Seal	3-49-8			



19x4107B

REAR AXLE VACUUM CONTROL VALVE (2 SPEED AXLE) (EXPLODED VIEW)

Plate 3-3

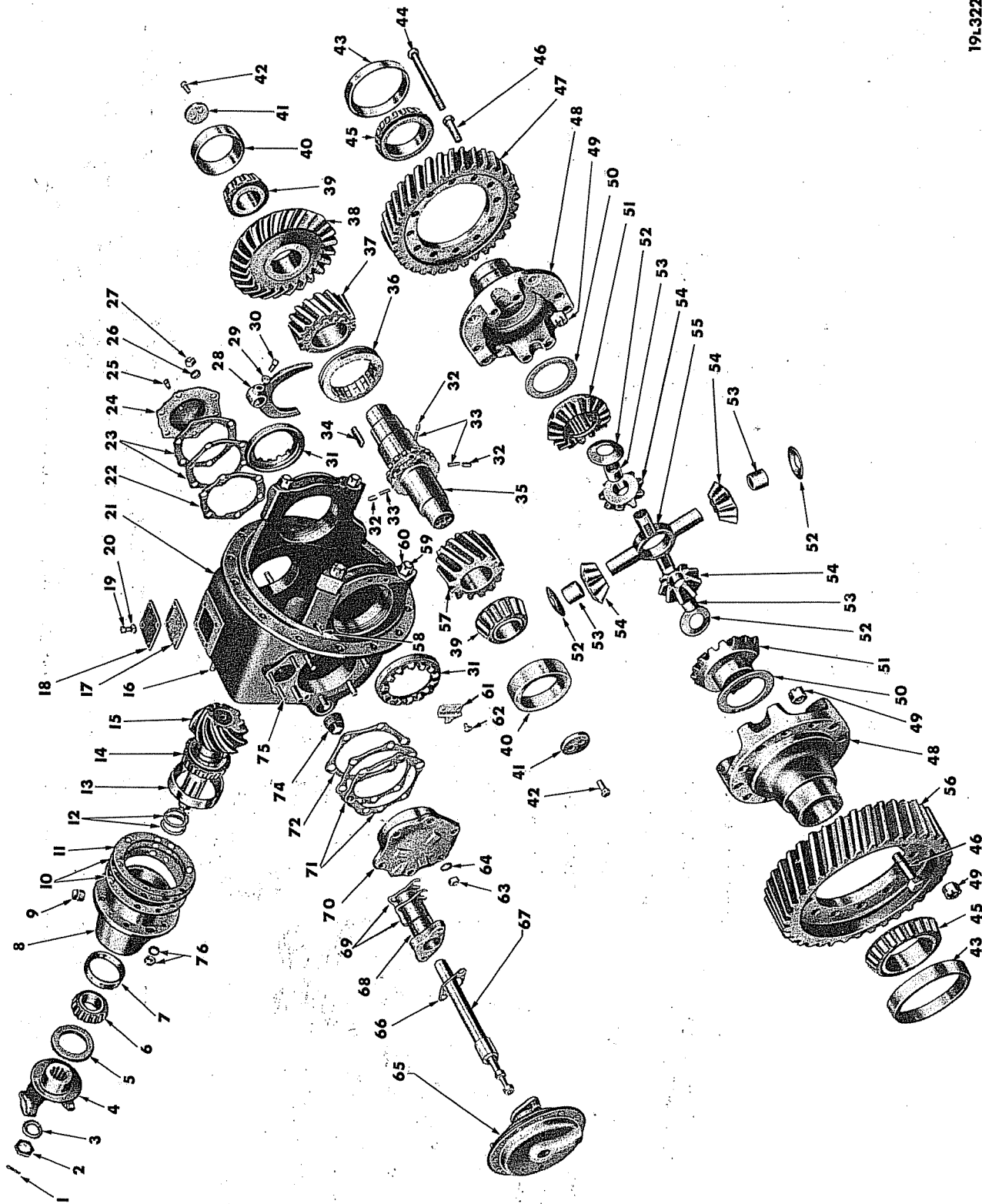


19x6135

REAR AXLE DIFFERENTIAL (HYPOID) (1 TON) (EXPLODED VIEW)

Plate 3-4

19L3228C



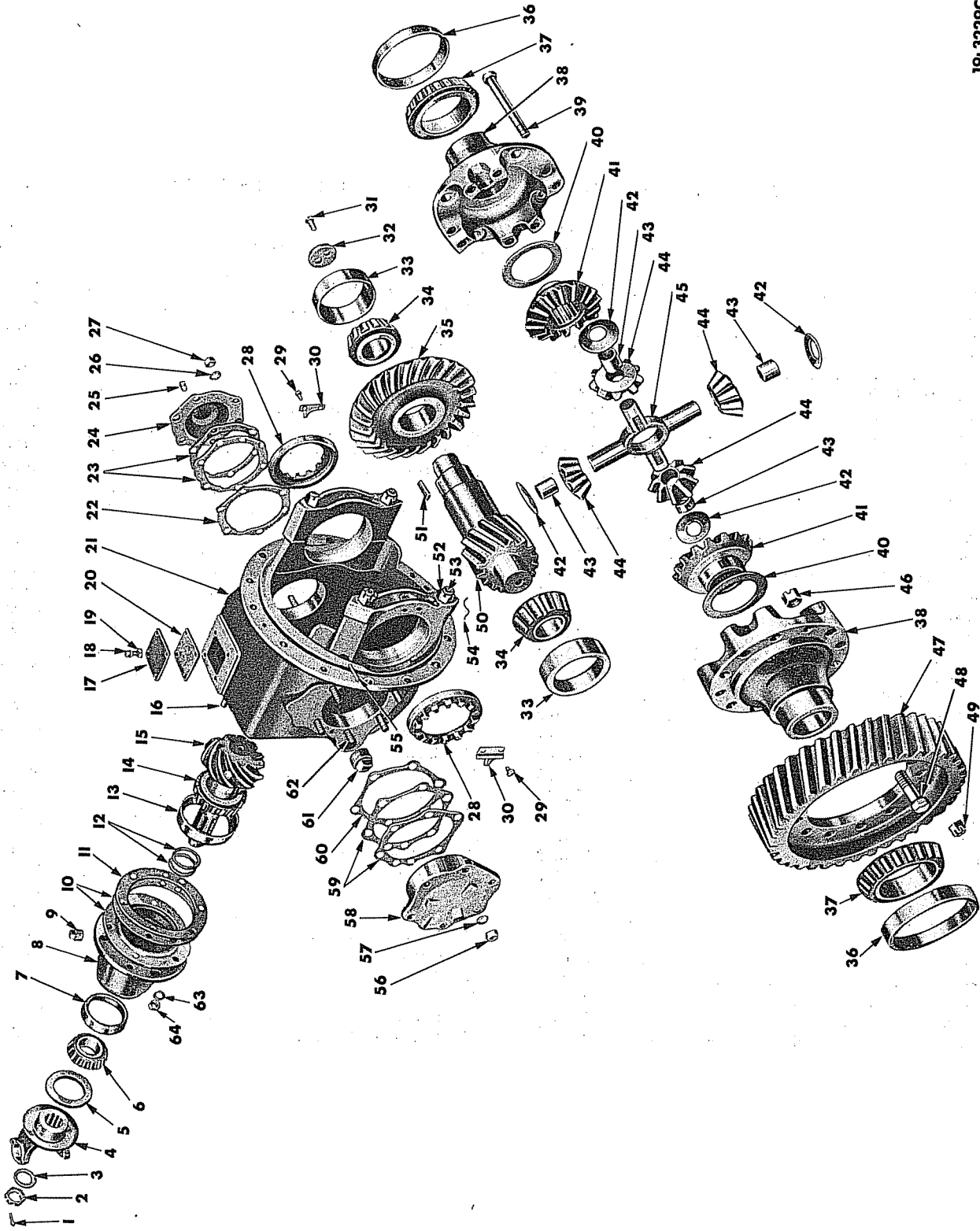
REAR AXLE DIFFERENTIAL (2 SPEED) (3 TON) (EXPLODED VIEW)

Plate 3-5

Plate 3-5

REAR AXLE DIFFERENTIAL (2 SPEED) (3 TON) (EXPLODED VIEW)

Ref. No.	Name	Part Type Code	Ref. No.	Name	Part Type Code
1	Pin	16-20-3	39	Cone and Roller	3-13-2
2	Nut	16-20-3	40	Cup	3-13-1
3	Washer	16-20-2	41	Washer	3-13-6
4	Yoke	16-20-1	42	Screw	3-13-11
5	Oil Seal	3-22-45	43	Cup	3-11-2
6	Cone and Roller	3-22-24	44	Bolt	3-20-1
7	Cup	3-22-25	45	Cone and Roller	3-11-1
8	Carrier, w/Cup	3-19-7	46	Bolt	3-20-1
9	Plug	3-19-7	47	Gear	3-19-17
10	Shim	3-19-8	48	Case	3-04-6
11	Gasket	3-19-9	49	Nut	3-20-1
12	Spacer	3-22-26	50	Washer	3-06-6
13	Cup	3-22-25	51	Gear	3-06-5
14	Cone and Roller	3-22-24	52	Washer	3-07-2
15	Pinion (Serviced in Pinion and Gear Set)	3-19-1	53	Bushing	3-07-3
16	Stud	3-23-15	54	Pinion, w/Bushing	3-07-1
17	Gasket	3-03-11	55	Spider	3-10-1
18	Cover	3-03-10	56	Gear	3-19-16
19	Bolt	3-03-10	57	Pinion	3-12-2
20	Washer	3-03-10	58	Pin	3-03-8
21	Carrier, w/Caps	3-03-3	59	Stud	3-03-8
22	Gasket	3-13-9	60	Nut	3-03-8
23	Shim	3-13-7	61	Lock	3-11-14
24	Retainer	3-13-8	62	Screw	3-11-17
25	Breather	3-02-20	63	Nut	3-14-7
26	Washer	3-13-13	64	Washer	3-14-7
27	Nut	3-13-13	65	Diaphragm Assembly	3-31-15
28	Fork	3-46-1	66	Gasket	3-31-32
29	Nut	3-46-2	67	Rod Assembly	3-31-64
30	Screw	3-46-2	68	Sleeve	3-31-33
31	Nut	3-11-14	69	Shim	3-31-38
32	Plunger	3-08-8	70	Cage, w/Cup	3-14-1
33	Spring	3-08-9	71	Shim	3-14-2
34	Key	3-15-7	72	Gasket	3-14-3
35	Shaft	3-08-4	73	Stud	3-14-7
36	Collar	3-08-7	74	Plug	3-03-3
37	Pinion	3-12-3	75	Stud	3-31-34
38	Gear (Serviced in Pinion and Gear Set)	3-19-1	76	Nut and Washer	3-23-15



19-3229C

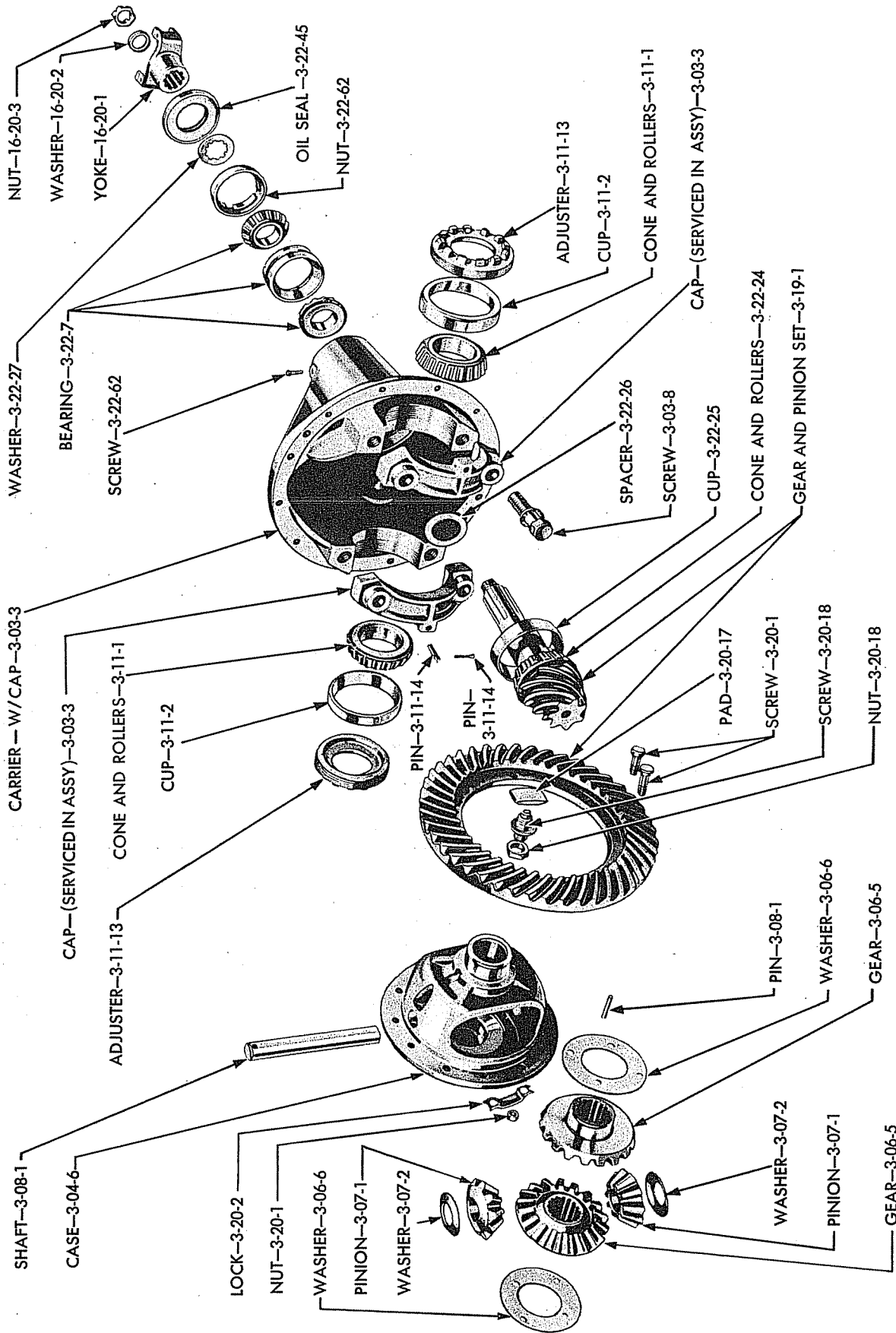
REAR AXLE DIFFERENTIAL (DOUBLE REDUCTION) (3 TON) (EXPLODED VIEW)

Plate 3-6

Plate 3-6

REAR AXLE DIFFERENTIAL (DOUBLE REDUCTION) (3 TON) (EXPLODED VIEW)

Ref. No.	Name	Part Type Code	Ref. No.	Name	Part Type Code
1	Pin	16-20-3	33	Cup	3-13-1
2	Nut	16-20-3	34	Cone and Rollers	3-13-2
3	Washer	16-20-2	35	Gear (Serviced in Gear and Pinion Set)	3-19-1
4	Yoke	16-20-1	36	Cup	3-11-2
5	Oil Seal	3-22-45	37	Cone and Rollers	3-11-1
6	Cone and Rollers	3-22-24	38	Case	3-04-6
7	Cup	3-22-25	39	Bolt	3-20-1
8	Carrier, w/Cup	3-19-7	40	Washer	3-06-6
9	Plug	3-19-7	41	Gear	3-06-5
10	Shim	3-19-8	42	Washer	3-07-2
11	Gasket	3-19-9	43	Bushing	3-07-3
12	Spacer	3-22-26	44	Pinion, w/Bushing	3-07-1
13	Cup	3-22-25	45	Spider	3-10-1
14	Cone and Rollers	3-22-24	46	Nut	3-20-1
15	Pinion (Serviced in Gear and Pinion Set)	3-19-1	47	Gear	3-19-18
16	Stud	3-23-15	48	Bolt	3-20-1
17	Cover	3-03-10	49	Nut	3-20-1
18	Bolt	3-03-10	50	Pinion	3-12-1
19	Washer	3-03-10	51	Key	3-15-7
20	Gasket	3-03-11	52	Nut	3-03-8
21	Carrier, w/Caps	3-03-3	53	Stud	3-03-8
22	Gasket	3-13-9	54	Lockwire	3-03-38
23	Shim	3-13-7	55	Pin	3-03-8
24	Retainer	3-13-8	56	Nut	3-14-7
25	Breather	3-02-20	57	Washer	3-14-7
26	Washer	3-13-13	58	Cage, w/Cup	3-14-1
27	Nut	3-13-13	59	Shim	3-14-2
28	Nut	3-11-13	60	Gasket	3-14-3
29	Screw	3-11-17	61	Plug	3-03-3
30	Lock	3-11-14	62	Stud	3-14-7
31	Screw	3-13-11	63	Washer	3-23-15
32	Washer	3-13-6	64	Nut	3-23-15



19x6141

REAR AXLE DIFFERENTIAL (HYPOID) (J AND JM) (EXPLODED VIEW)

Plate 3-7

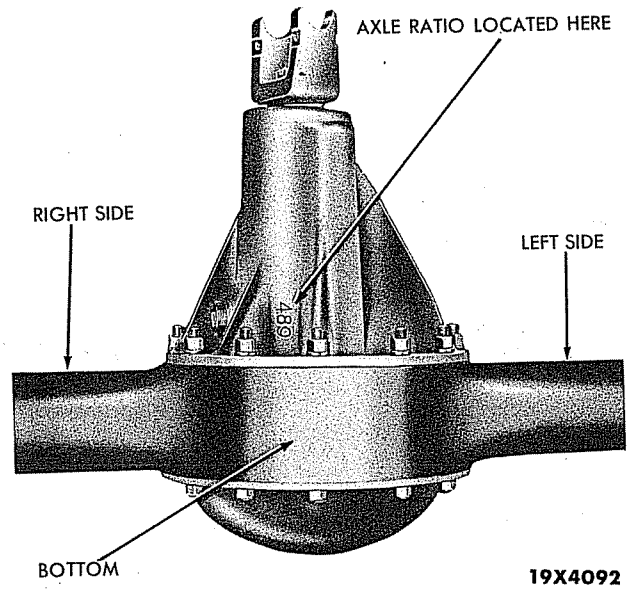
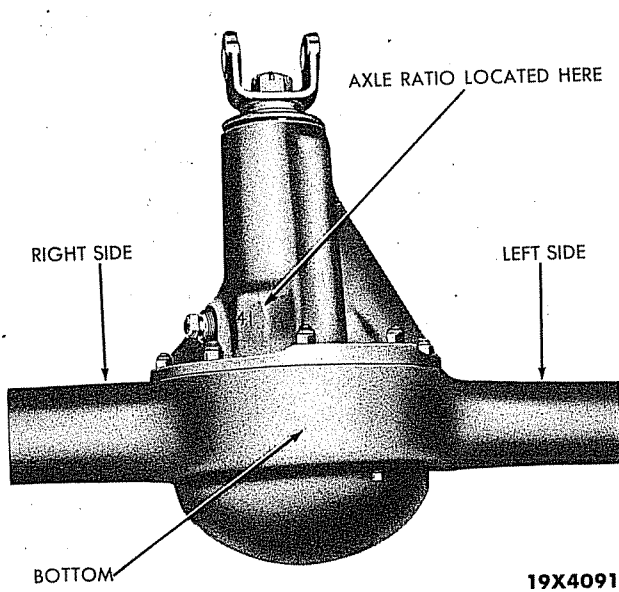


Plate 3-8 REAR AXLE IDENTIFICATION

Plate 3-10 REAR AXLE IDENTIFICATION

MODEL: B, C: TYPE: Hypoid
 GEAR RATIOS AVAILABLE: 3.73, 4.1, 4.3, 4.78
 GEAR RATIO LOCATION: Right side of differential carrier (opposite drivers side) below filler plug as shown above.
 REMARKS: Housing cover is welded on, unremovable type. Filler plug located on right side of carrier. Drain plug located at bottom of axle housing.

MODEL: D. TYPE: Hypoid.
 GEAR RATIOS AVAILABLE: 3.91, 4.3, 4.89
 GEAR RATIO LOCATION: Right side of differential carrier (opposite drivers side) below filler plug as shown above.
 REMARKS: Housing cover is bolt on, removable type. Filler plug located on right side of carrier. Drain plug (or bolt) located at bottom of axle housing cover.

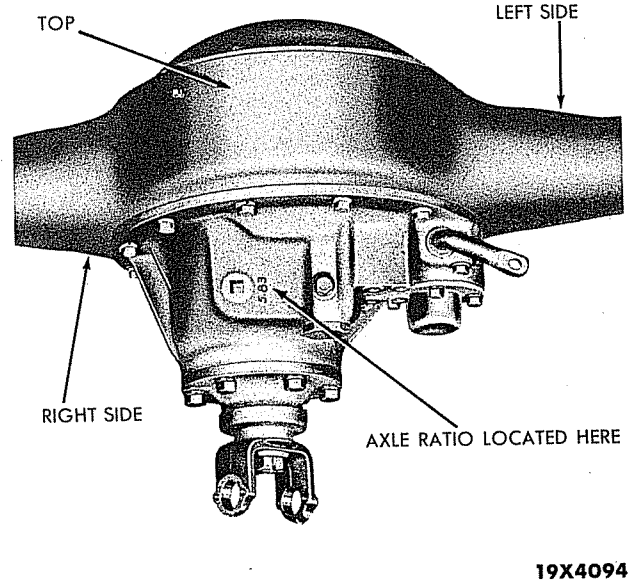
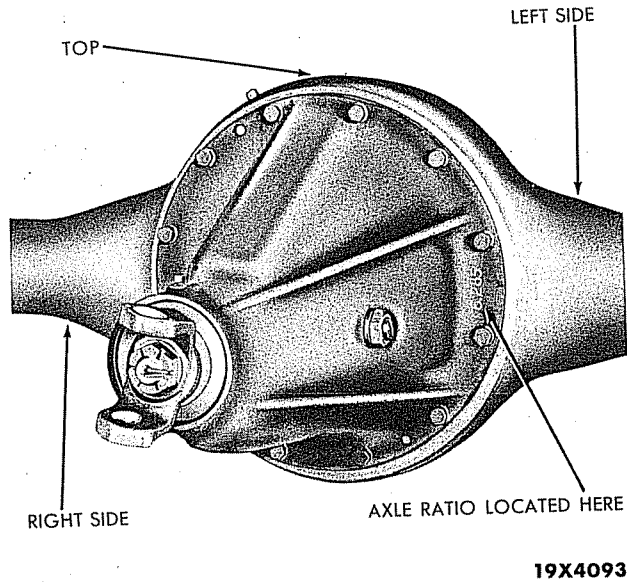
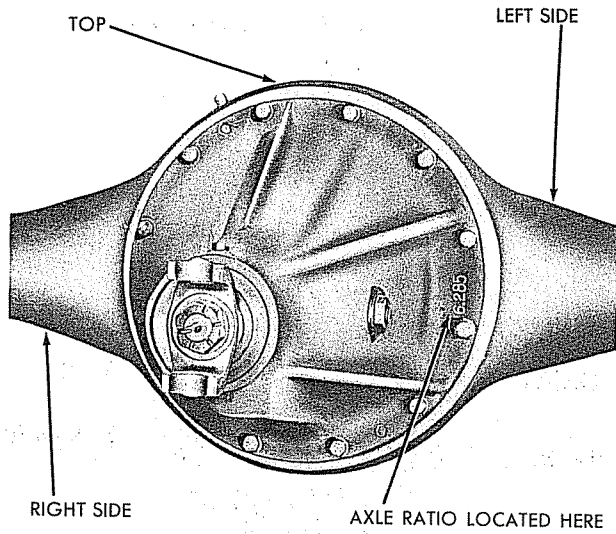


Plate 3-9 REAR AXLE IDENTIFICATION

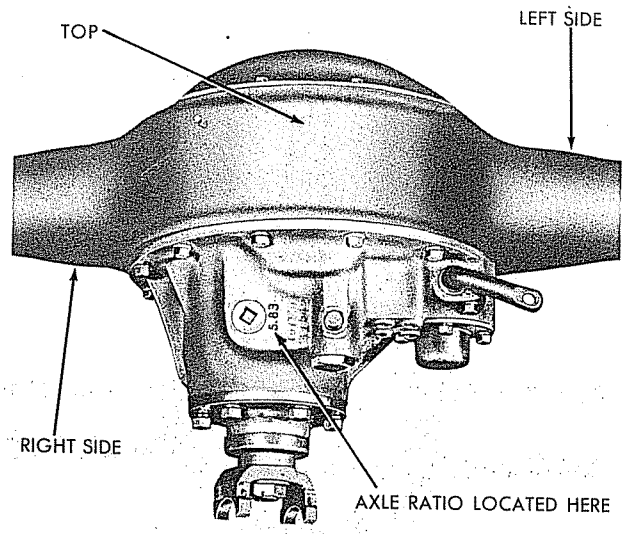
Plate 3-11 REAR AXLE IDENTIFICATION

MODEL: F, G, H, HH, FM, GM, HM, HHM.
 TYPE: Hypoid. GEAR RATIOS AVAILABLE: 5.625, 6.285, 6.833. GEAR RATIO LOCATION: Left side of differential carrier (drivers side) between center attaching bolts as shown above. REMARKS: Housing cover is bolt on, removable type. Filler plug located at center of axle housing cover. Drain bolts are the bottom housing cover bolts.

MODEL: FA, GA, HA, HHA, FMA, GMA, HMA, HHMA.
 TYPE: 1350 series 2 Speed. GEAR RATIOS AVAILABLE: 5.83 - 8.11, 5.14 - 7.15, 6.33 - 8.81. GEAR RATIO LOCATION: Top of differential carrier, on left (drivers) side of peep hole plug as shown above. REMARKS: Housing cover is bolt on, removable type. Filler plug located at lower right side of axle housing cover. Drain bolts are the bottom housing cover bolts.



19X4095



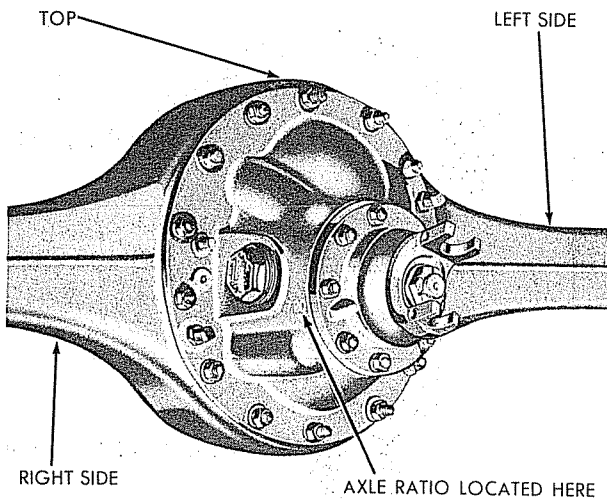
19X4096

Plate 3-12 REAR AXLE IDENTIFICATION

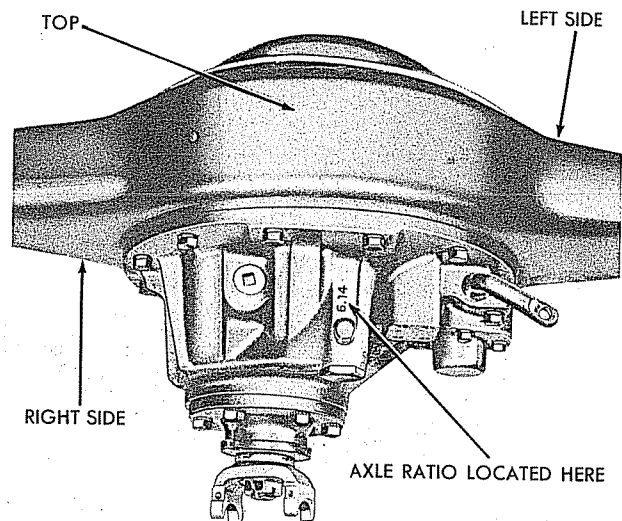
MODEL: J, JM. TYPE: Hypoid
 GEAR RATIOS AVAILABLE: 5.11, 6.285, 7.166.
 GEAR RATIO LOCATION: Left side of differential carrier (drivers side) between center attaching bolts as shown above. REMARKS: Housing cover is bolt on, removable type. Filler plug located at center of axle housing cover. Drain bolts are the bottom housing cover bolts.

Plate 3-14 REAR AXLE IDENTIFICATION

MODEL: JA, JMA. TYPE: 1350 series 2 Speed.
 GEAR RATIOS AVAILABLE: 5.83 - 8.11, 5.14 - 7.15, 6.33 - 8.81. GEAR RATIO LOCATION: Top of carrier, on left side (drivers side) of peep hole plug as shown above. REMARKS: Housing cover is bolt on, removable type. Filler plug located at lower right side of axle housing cover. Drain bolts are the bottom housing cover bolts.



19X5503



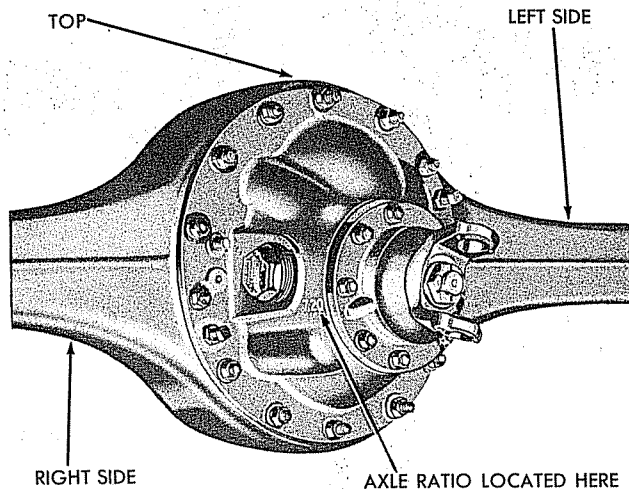
19X4097

Plate 3-13 REAR AXLE IDENTIFICATION

MODEL: K-KM. TYPE: Hypoid. GEAR RATIOS AVAILABLE: 6.80, 7.20. GEAR RATIO LOCATION: Right side of differential carrier (opposite drivers side) in front and below oil filler plug as shown above. REMARKS: Housing cover is welded on, unremovable type. Filler plug located at right center side of differential carrier. Drain plug located at center bottom or under part of axle housing.

Plate 3-15 REAR AXLE IDENTIFICATION

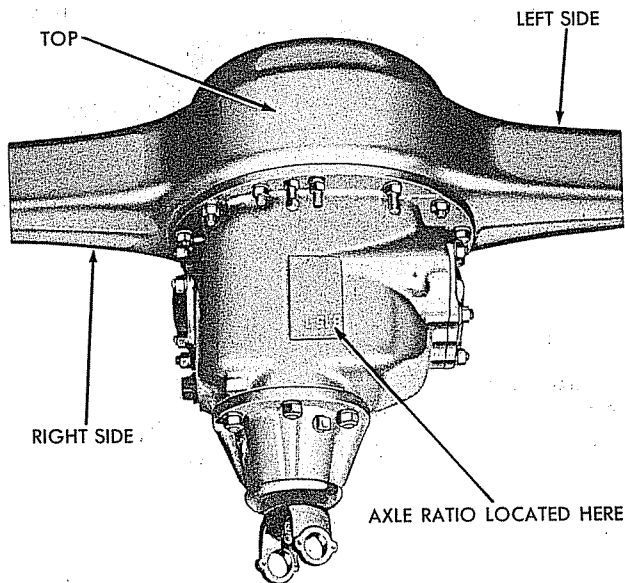
MODEL: KA, KMA. TYPE: 16500 series 2 Speed.
 GEAR RATIOS AVAILABLE 6.143 - 8.545, 6.50 - 9.04.
 GEAR RATIO LOCATION: Top of carrier and rear of oil slinger retaining screw as shown above. REMARKS: Housing cover is bolt on, removable type. Filler plug located at lower right side of axle housing cover. Drain plug located at center bottom or under part of axle housing.



19X4104

Plate 3-16 REAR AXLE IDENTIFICATION

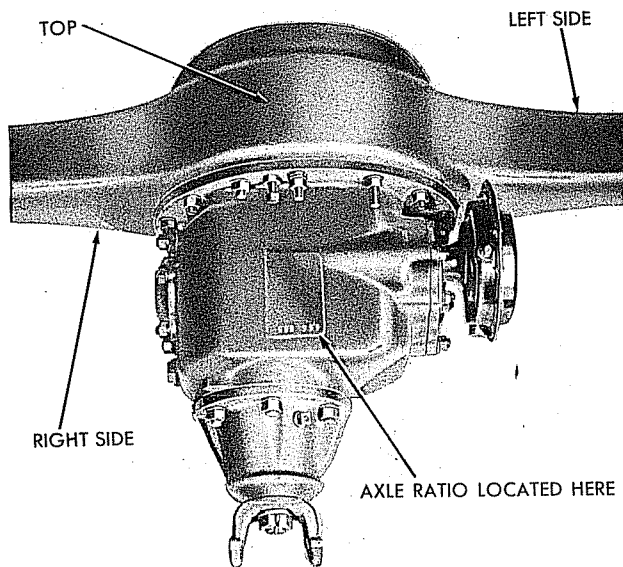
MODEL: R. TYPE: Hypoid, H-100
 GEAR RATIOS AVAILABLE: 6.80, 7.20. GEAR RATIO LOCATION: Right side of differential carrier (opposite drivers side) in front and below oil filler plug as shown above. REMARKS: Housing cover is welded on, unremovable type. Filler plug located at right center side of differential carrier. Drain plug located at center bottom or under part of axle housing.



19X4099

Plate 3-18 REAR AXLE IDENTIFICATION

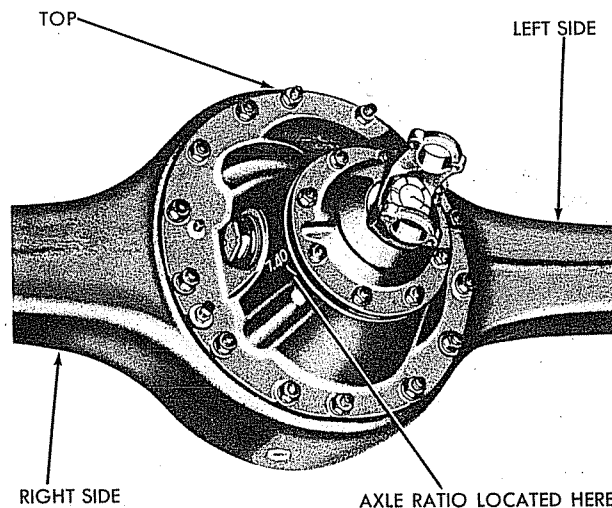
MODEL: R. TYPE: Double Reduction, H-200.
 GEAR RATIOS AVAILABLE: 8.15. GEAR RATIO LOCATION: Top of differential carrier on flat spot as shown above. REMARKS: Housing cover is welded on, unremovable type. Differential filler plug located at right side of differential carrier in front of bearing cage or cover. Pinion bearing oil plug located at top of pinion carrier. Drain plug located at center bottom or under part of axle housing.



19X4100

Plate 3-17 REAR AXLE IDENTIFICATION

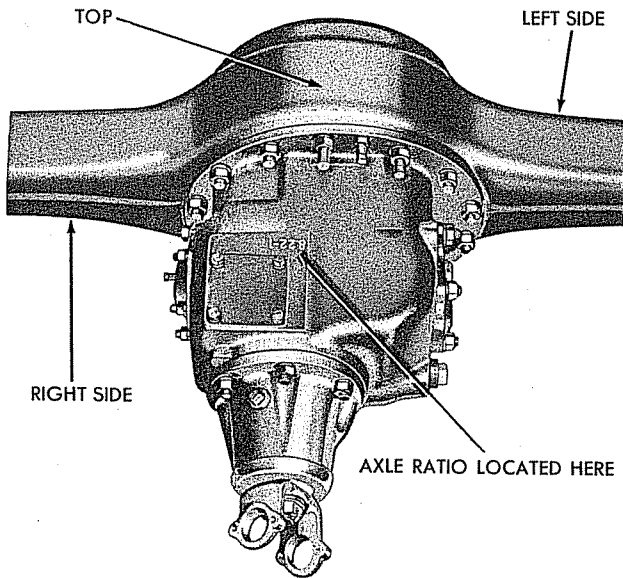
MODEL: RA. TYPE: 2 Speed, H-300.
 GEAR RATIOS AVAILABLE: 6.67 - 8.86, 6.13 - 8.15. GEAR RATIO LOCATION: Top of differential carrier on flat spot as shown above. REMARKS: Housing cover is welded on, unremovable type. Differential filler plug located at right side of differential carrier in front of bearing cap or cover. Pinion bearing oil plug located at top of pinion carrier. Drain plug located at center bottom or under part of axle housing.



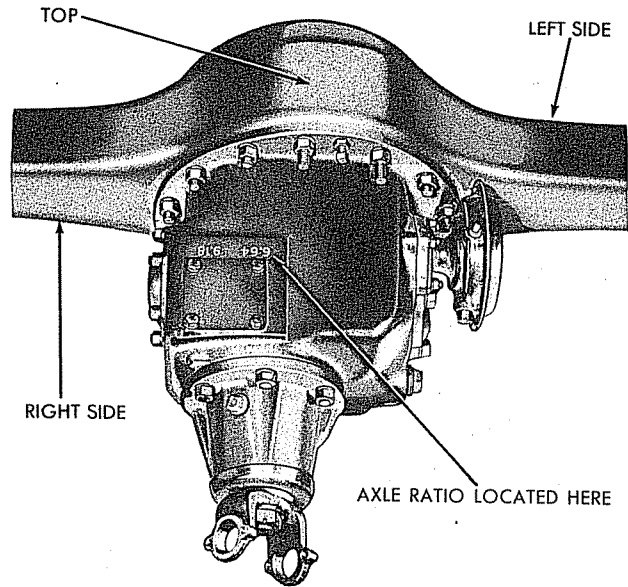
19X4101

Plate 3-19 REAR AXLE IDENTIFICATION

MODEL: R, T. TYPE: Hypoid, H-120, L-100.
 GEAR RATIOS AVAILABLE: 6.83, 7.20, 7.40. GEAR RATIO LOCATION: Right side (opposite drivers side) of differential carrier in front and below oil filler plug as above. REMARKS: Housing cover is welded on, unremovable type. Filler plug located at right center side of differential carrier. Drain plug located at center bottom or under part of axle housing.



19X4102



19X4103

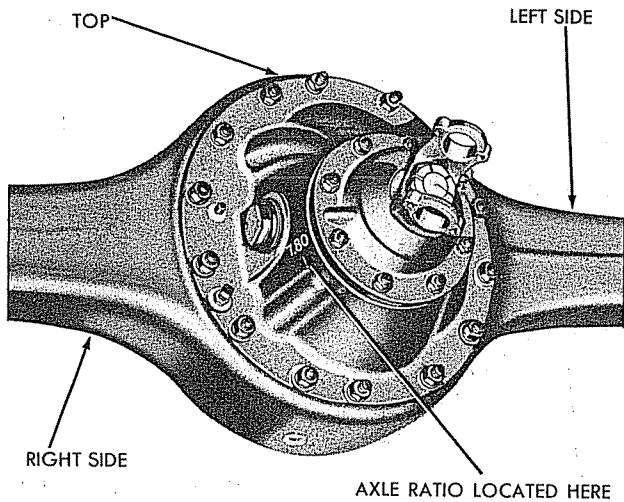
Plate 3-20 REAR AXLE IDENTIFICATION

MODEL: T. TYPE: Double Reduction.
 GEAR RATIOS AVAILABLE: 8.22. GEAR RATIO LOCATION: Top of differential carrier on machined surface at left rear corner of inspection hole cover as shown above.

REMARKS: Housing cover is welded on, unremovable type. Differential filler plug located at left side of differential carrier in front of bearing retainer or cover. Pinion bearing oil plug located at top of pinion carrier.

Plate 3-22 REAR AXLE IDENTIFICATION

MODEL: RA, TA. TYPE: 2 Speed, H-320, L-300.
 GEAR RATIOS AVAILABLE: 6.64 - 9.18, 6.32 - 8.22, 6.36 - 8.28. GEAR RATIO LOCATION: Top of differential carrier on machined surface rear of inspection hole cover as shown above. REMARKS: Housing cover is welded on, unremovable type. Differential filler plug located at left side of differential carrier in front of bearing retainer or cover. Pinion bearing oil plug located at top of pinion carrier. Drain plug located at center bottom or under part of axle housing.

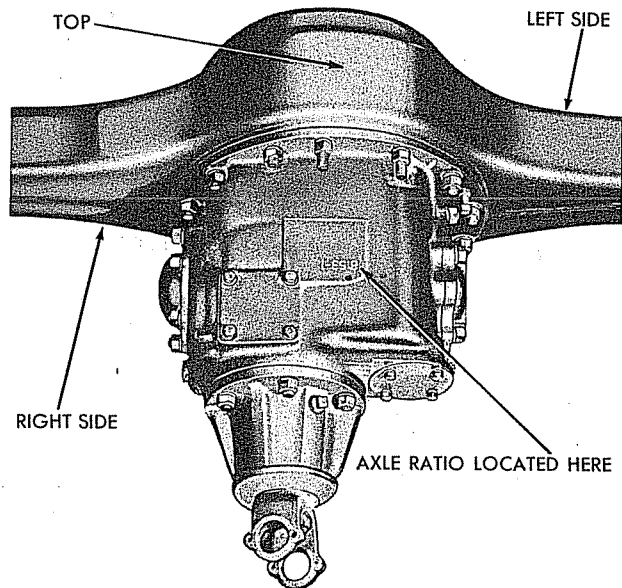


19X4098

Plate 3-21 REAR AXLE IDENTIFICATION

MODEL: V, Y. TYPE: Hypoid, Q-100, R-100.
 GEAR RATIOS AVAILABLE: Q-100 Axle - 6.83, 7.80, R-100 Axle - 7.40. GEAR RATIO LOCATION: Right side (opposite drivers side) of differential carrier in front and below oil filler plug as shown above.

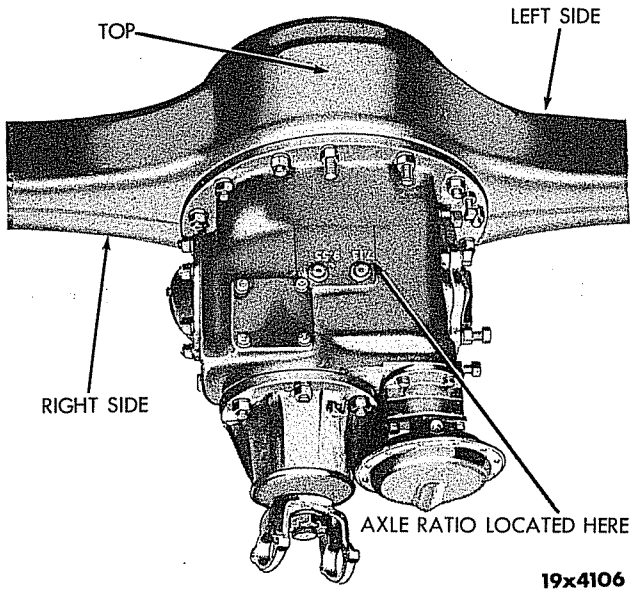
REMARKS: Housing cover is welded on, unremovable type. Filler plug located at right center side of differential carrier. Drain plug located at center bottom or under part of housing.



19X4105

Plate 3-23 REAR AXLE IDENTIFICATION

MODEL: V, Y. TYPE: Double Reduction, Q-200, R-200. GEAR RATIOS AVAILABLE: Q-200 - 8.38, 8.53, R-200 - 9.23. GEAR RATIO LOCATION: Top and rear of the inspection hole cover on machined flat surface, left and right as shown above. REMARKS: Housing cover is welded on, unremovable type. Differential filler plug located at right side of differential carrier in front of bearing cage or cover. Pinion bearing oil plug located at top of pinion carrier. Drain plug located at center bottom or under part of axle housing.



19x4106

Plate 3-24 REAR AXLE IDENTIFICATION

MODEL: VA, YA. TYPE: 2 Speed, Q-300, R-300.
 GEAR RATIOS AVAILABLE: Q-300 - 6.42 - 8.38, 6.53 - 8.53, 7.12 - 9.55, R-300 - 6.41 - 8.38, 7.27 - 9.49.
 GEAR RATIO LOCATION: Top of differential carrier on machined flat surface, left and rear of the inspection hole as shown above. REMARKS: Housing cover is welded on, unremovable type. Differential filler plug located at the right side of differential carrier in front of bearing cage or cover. Pinion bearing oil plug located at top of pinion carrier. Drain plug located at center bottom or under part of axle housing.

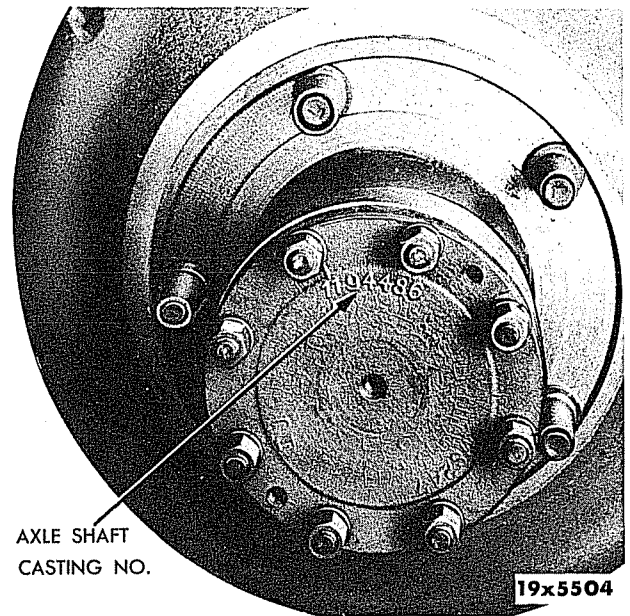


Plate 3-26 REAR AXLE SHAFT CASTING NUMBER IDENTIFICATION

<u>SERIES AXLE</u>	<u>CASTING NUMBER</u>
Standard 1350 2-Speed	1194 483
Heavy 1350 2-Speed	1194 486

Axle Shaft Casting Number Location:
 Forged on outer face of axle shaft flange as shown.

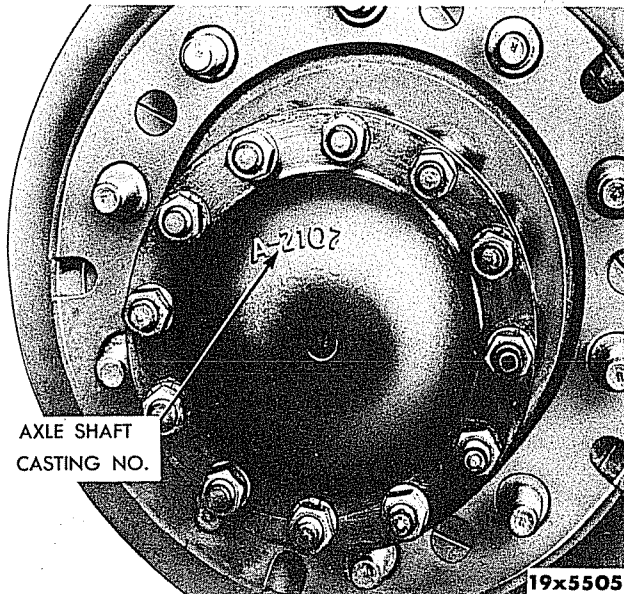


Plate 3-25 REAR AXLE SHAFT CASTING NUMBER IDENTIFICATION

<u>SERIES AXLE</u>	<u>CASTING NUMBER</u>
H-100 and H-300	A-2107
H-120 and H-320	D-2500

Axle Shaft Casting Number Location: Forged on outer circumference of axle shaft flange dome as shown.

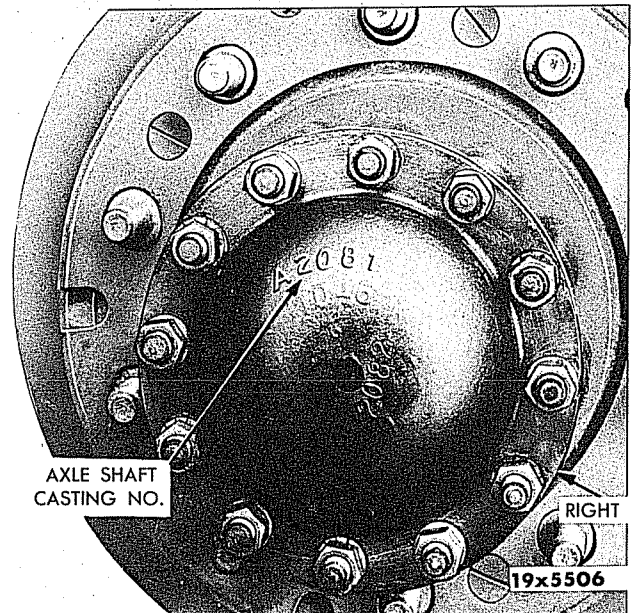


Plate 3-27 REAR AXLE SHAFT CASTING NUMBER IDENTIFICATION

<u>SERIES AXLE</u>	<u>CASTING NUMBER</u>
Q-100, Q-200 and Q-300	A-2081
R-100, R-200 and R-300	Y-2053

Axle Shaft Casting Number Location: Outer circumference of axle shaft flange dome (as shown above).

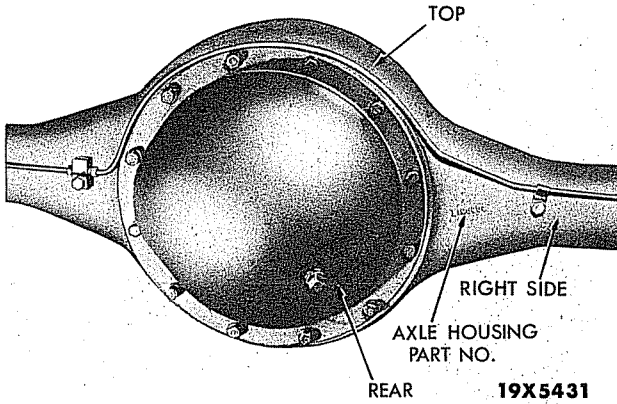


Plate 3-28

REAR AXLE HOUSING NUMBER IDENTIFICATION

<u>SERIES AXLE</u>	<u>HOUSING NUMBER</u>
Standard 1350 2-Speed	1267 055
Heavy 1350 2-Speed	1196 404

Axle Housing Number Location:

Stamped on outer rear right face of rear axle housing as shown.

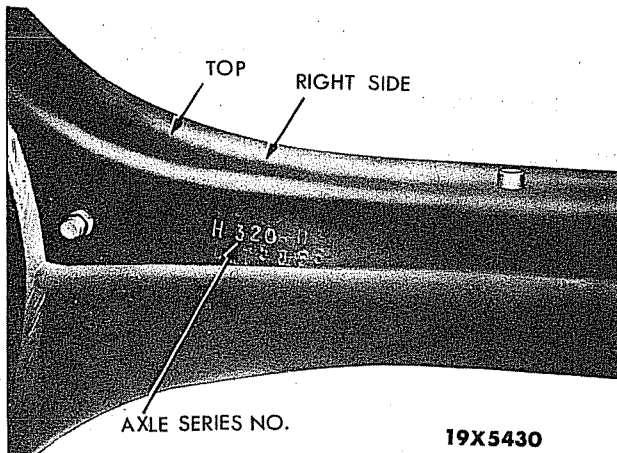


Plate 3-29

REAR AXLE SERIES NUMBER IDENTIFICATION

<u>SERIES NUMBER (STANDARD)</u>	<u>SERIES NUMBER (HEAVY)</u>	<u>TYPE</u>
H-100	H-120	Hypoid
H-300	H-320	2-Speed

Series Number Location:

There are three rows of letters and numbers stamped on the right rear face of the rear axle housing. The first letter and three numbers in the middle row represents the axle series number as shown.

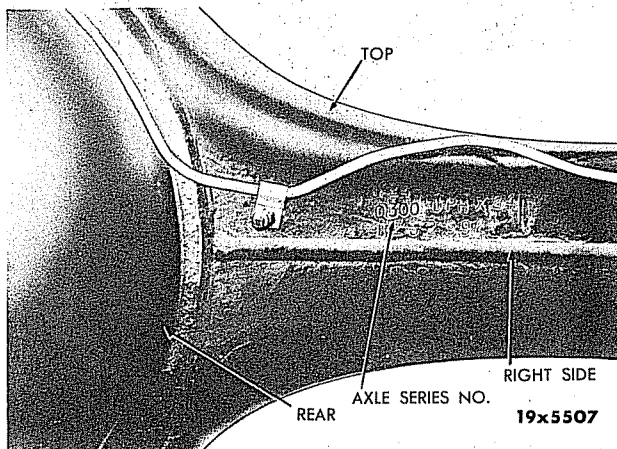


Plate 3-30

REAR AXLE SERIES NUMBER IDENTIFICATION

<u>SERIES NUMBER (STANDARD 18000 LB.)</u>	<u>SERIES NUMBER (HEAVY 23000 LB.)</u>	<u>TYPE</u>
Q-100	R-100	Hypoid
Q-200	R-200	Double Reduction
Q-300	R-300	2-Speed

Series Number Location:

There are three rows of letters and numbers stamped on the right rear face of the rear axle housing. The first letter and three numbers in the middle row represent the axle series number (as shown above).

NOTE 1: B-2-FA, B-2-GA, B-2-GMA, B-2-R, B-3-R, B-2-RA, B-3-RA, B-2-Y, B-3-Y, B-4-Y, B-2-YA, B-3-YA and B-4-YA trucks are equipped with optional rear axles. To specify parts (which are affected by the rear axle) for these models, the Axle Series must be determined. Listed are the above models with the optional rear axles; also descriptions and pictures for identifying the specific Axle Series for the model in question.

B-2-FA, B-2-GA and B-2-GMA Trucks have optional 1350 series 2 Speed Axles.

1. The Standard (1-1/2 ton) 1350 series 2 Speed Axles.
2. The heavy (2 ton) 1350 series 2 Speed Axles.

The axle type can be determined as follows:

A - By the axle shaft casting number which is forged on the outside of the axle shaft flange (location shown in reference picture).

The standard 1350 series 2 Speed Axle shaft has the number 1194483 forged on the flange.

The heavy 1350 series 2 Speed Axle shaft has the number 1194486 forged on the flange.

B - By the axle housing number stamped on outer rear right face of rear axle housing (location shown in reference picture).

The standard 1350 series 2 Speed Axle housing will have the number 1267055 stamped on housing.

The heavy 1350 series 2 Speed Axle will have the number 1196404 stamped on housing.

B-2-R, B-3-R, B-2-RA, B-3-RA Trucks are equipped with two groups of rear axles.

- 1 - The standard H-100 and H-300 group, containing either a Hypoid H-100 series or 2 Speed H-300 series drive unit.
- 2 - The heavy H-120 and H-320 group, containing either a Hypoid H-120 series or a 2 Speed H-300 series drive unit.

The axle series can be determined as follows:

A - By axle ratio (location shown in reference pictures). (The following series axles come only in the following ratio:

Series Axle	Ratio	Series Axle	Ratio
H-100	6.80 to 1	H-120 (B-2-R)	7.40 to 1
H-300	6.1-8.1 to 1	H-120 (B-3-R)	7.20 to 1
		H-320	6.6-9.1 to 1

B - By the axle shaft casting number which is forged on the outside of the axle shaft flange (location shown in reference picture) the standard H-100 and H-300 series axle shafts have the number A-2107 forged on the flange.

The heavy H-120 and H-320 series axle shafts have the number D-2500 forged on the flange.

C - By the axle series number stamped on right rear face of axle housing (location and numbers shown on reference picture).

B-2-T, B-3-T, B-2-TA, B-3-TA, B-2-V, B-3-V, B-2-VA and B-3-VA Trucks are not equipped with optional rear axle groups. Each model has only one group of rear axle units.

The B-2-T and B-2-TA Trucks are equipped with a 16,000 lb. L series Group consisting of either a Hypoid L-100 series, a Double Reduction L-200 series or a 2 Speed L-300 series drive unit.

The B-2-V and B-2-VA Trucks are equipped with a 18,000 lb. Q series Group consisting of either a Hypoid Q-100 series, a Double Reduction Q-200 series or a 2 Speed Q-300 series drive unit.

Due to the foregoing facts, axle descriptions for these models are not necessary.

B-2-Y, B-3-Y, B-4-Y, B-2-YA, B-3-YA and B-4-YA Trucks are equipped with two groups or rear axles.

- 1 - The standard (18,000 lb. Q series) groups containing either a Hypoid Q-100 series, a Double Reduction Q-200 series or a 2 Speed Q-300 series drive unit.
- 2 - The heavy (23,000 lb. R series) group containing either a Hypoid R-100 series, a Double Reduction R-200 series or a 2 Speed R-300 series drive unit.

The Axle Series can be determined as follows:

A - By axle ratio (location shown in reference pictures). The following series axles come only in the following ratios:

Series Axles	Ratio	Series Axle	Ratio
Q-100	6.83 to 1	R-100	7.40 to 1
Q-200 (B-2-Y)	8.53 to 1	R-200	9.23 to 1
Q-200 (B-3-Y)	8.38 to 1	R-300	6.4-8.3 to 1 or
Q-200 (B-4-Y)	8.38 to 1		7.2-9.4 to 1
Q-300 (B-2-Y)	6.53-8.53 to 1		
Q-300 (B-3-Y)	6.42-8.38 to 1		
Q-300 (B-4-Y)	6.42-8.38 to 1		

B - By axle shaft casting number which is forged on the outside of the axle shaft flange (location shown in reference pictures).

Q-100, Q-200 and Q-300 series axle shafts have the number A-2081 forged on the flange.

R-100, R-200 and R-300 series axle shafts have the number Y-2053 forged on the flange.

C - By the axle series number stamped on right rear face of axle housing (location and number shown on reference picture).

NOTE 2: UP TO TYPE. This diaphragm and related parts has a plain outer shell with no hole in the center of the shell for a plug that is used for replacement purposes on the after type diaphragm.

NOTE 3: AFTER TYPE. This diaphragm and related parts has a hole in the center of the outer shell with a plug that is used for replacement purposes.

CODE	PART NAME AND DESCRIPTION	SERIES NO.	MODEL CODES														PART NO.		
			B	C	D	F	G	H & HH	FM	GM	HM & HHM	J	JM	K	KM	R		T	V
REAR AXLE HOUSING																			
3-02-1	HOUSING (B-1-B up to Serial No. 82068925; B-1-C up to Serial No. 83318900)	1	1	1	-	-	-	-	-	-	-	-	-	-	-	-	-	-	1194 955
	Plug (drain).	1	1	1	-	-	-	-	-	-	-	-	-	-	-	-	-	-	143 932
	HOUSING (B-1-B after Serial No. 82068925; B-1-C after Serial No. 83318900)	1	1	1	-	-	-	-	-	-	-	-	-	-	-	-	-	-	1264 765
	Plug (drain).	2,3,4	1	1	-	-	-	-	-	-	-	-	-	-	-	-	-	-	1264 765
	HOUSING	-	1	1	-	-	-	-	-	-	-	-	-	-	-	-	-	-	112 304
	Bolt, 3/8"-16 x 5/8" (drain plug)	-	-	-	1	-	-	-	-	-	-	-	-	-	-	-	-	-	1194 063
	HOUSING (Hypoid Axle)	-	-	-	1	1	-	-	-	-	-	-	-	-	-	-	-	-	122 104
	(Hypoid Axle)	-	-	-	-	1	-	1	-	1	1	1	-	-	-	-	-	-	1194 470
	(1350 Series 2 Speed Axle)	1	-	-	1	1	1	1	1	1	1	1	-	-	-	-	-	-	1194 485
	(Standard 2 Speed Axle) (see note 1)	2	-	-	1	1	-	-	1	-	-	-	-	-	-	-	-	-	1196 404
	(Heavy 2 Speed Axle) (see note 1)	2	-	-	1	1	1	-	1	1	1	1	-	-	-	-	-	-	1267 055
	(2 Speed Axle)	3,4	-	-	1	1	-	-	1	-	-	-	-	-	-	-	-	-	1196 404
	(2 Speed Axle)	3,4	-	-	-	1	-	-	1	1	1	-	-	-	-	-	-	-	1196 203
	Plug (drain).	-	-	-	-	-	-	-	-	-	-	1	1	-	-	-	-	-	1196 203
	HOUSING (Hypoid Axle)	2,3,4	-	-	-	-	-	-	-	-	-	1	1	-	-	-	-	-	103 875
	(Hydraulic Brakes)	1	-	-	-	-	-	-	-	-	-	-	-	1	-	-	-	-	1269 415
	(Hydraulic Brakes) (H 100 and H 300 Series Axle) (see note 1)	2,3,4	-	-	-	-	-	-	-	-	-	-	-	-	1	-	-	-	1263 050
	(Hydraulic Brakes) (H 120 and H 320 Series Axle) (see note 1)	2,3,4	-	-	-	-	-	-	-	-	-	-	-	-	1	-	-	-	1265 601
	(Air Brakes)	1	-	-	-	-	-	-	-	-	-	-	-	1	-	-	-	-	1263 051
	(Air Brakes) (H 100 and H 300 Series Axle) (see note 1)	2,3,4	-	-	-	-	-	-	-	-	-	-	-	-	1	-	-	-	1263 051
	(Air Brakes) (H 120 and H 320 Series Axle) (see note 1)	2,3,4	-	-	-	-	-	-	-	-	-	-	-	-	1	-	-	-	1266 472
	(Hydraulic Brakes)	1	-	-	-	-	-	-	-	-	-	-	-	-	1	-	-	-	1263 054
	(Hydraulic Brakes)	2,3,4	-	-	-	-	-	-	-	-	-	-	-	-	-	1	-	-	1266 804
	(Air Brakes)	1	-	-	-	-	-	-	-	-	-	-	-	-	1	-	-	-	1263 055
	(Air Brakes)	2,3,4	-	-	-	-	-	-	-	-	-	-	-	-	1	-	-	-	1266 808
	(Hydraulic Brakes)	-	-	-	-	-	-	-	-	-	-	-	-	-	-	1	1	-	1263 056
	(Air Brakes)	1	-	-	-	-	-	-	-	-	-	-	-	-	-	1	-	-	1263 057
	(Air Brakes) (B-2-V up to Serial No. 81794324; B-2-Y up to Serial No. 8301865) (Q Series Axles) (see note 1)	2	-	-	-	-	-	-	-	-	-	-	-	-	-	-	1	1	1263 057
	(Air Brakes) (B-2-V after Serial No. 81794324; B-2-Y after Serial No. 8301865) (Q Series Axles) (see note 1)	2	-	-	-	-	-	-	-	-	-	-	-	-	-	-	1	1	1272 466
	(Air Brakes) (Q Series Axle) (see note 1)	3,4	-	-	-	-	-	-	-	-	-	-	-	-	-	-	1	1	1272 466
	(Air Brakes) (R Series Axle) (see note 1)	2,3,4	-	-	-	-	-	-	-	-	-	-	-	-	-	-	-	1	1263 057

★Indicates use as required.

Prices and specifications subject to change without notice.

☐Indicates parts not listed in any previous parts books.

Series No. (1 indicates B-1 Series) (2 indicates B-2 Series) (3 indicates B-3 Series) (4 indicates B-4 Series)

Where no Series No. is shown part is for B-1, B-2, B-3 and B-4 Series.

CODE	PART NAME AND DESCRIPTION	SERIES NO.	MODEL CODES													PART NO.			
			B	C	D	F	G	H & HH	FM	GM	HM & HHM	J	JM	K	KM		R	T	V
REAR AXLE HOUSING - Cont'd																			
3-02-3	COVER	-	-	-	1	-	-	-	-	-	-	-	-	-	-	-	-	-	1188 261
	(Hypoid Axle)	-	-	-	1	1	1	1	1	1	1	1	1	-	-	-	-	-	1089 489
	(2 Speed Axle)	-	-	-	1	1	1	1	1	1	1	1	1	-	-	-	-	-	592 792
	(2 Speed Axle)	-	-	-	-	-	-	-	-	-	-	-	1	1	-	-	-	-	922 222
	Bolt, 7/16"-14 x 1"	-	-	-	12	12	12	12	12	12	12	12	12	-	-	-	-	-	122 253
	Bolt, 7/16"-14 x 3/4"	-	-	-	-	-	-	-	-	-	-	-	-	12	12	-	-	-	122 239
	Washer, lock	-	-	-	12	12	12	12	12	12	12	12	12	-	-	-	-	-	120 383
	Plug	-	-	-	1	1	1	1	1	1	1	1	1	1	1	-	-	-	103 875
3-02-6	GASKET, Cover	-	-	1	-	-	-	-	-	-	-	-	-	-	-	-	-	-	1188 262
	(Hypoid Axle)	-	-	-	1	1	1	1	1	1	1	1	1	-	-	-	-	-	563 617
	(2 Speed Axle)	-	-	-	1	1	1	1	1	1	1	1	1	-	-	-	-	-	579 033
	(2 Speed Axle)	-	-	-	-	-	-	-	-	-	-	-	1	1	-	-	-	-	921 598
3-02-7	STUD, Cover	-	-	12	-	-	-	-	-	-	-	-	-	-	-	-	-	-	1188 263
	Nut	-	-	12	-	-	-	-	-	-	-	-	-	-	-	-	-	-	120 370
	Washer, lock	-	-	12	-	-	-	-	-	-	-	-	-	-	-	-	-	-	120 383
3-02-13	PLUG, Drain (Hypoid Axle)	2	-	-	-	-	-	-	-	-	-	-	1	1	-	-	-	-	1191 694
3-02-14	GASKET, Drain Plug	-	-	1	-	-	-	-	-	-	-	-	-	-	1	1	1	1	1191 694
	(Hypoid Axle)	-	-	-	-	-	-	-	-	-	-	-	1	1	-	-	-	-	116 246
		-	-	-	-	-	-	-	-	-	-	-	-	-	1	1	1	1	56 155
3-02-20	VENT SCREW	-	1	1	-	-	-	-	-	-	-	-	-	-	-	-	-	-	925 525
	VENT (Hypoid Axle)	-	-	-	1	1	1	1	1	1	1	1	1	-	-	-	-	-	915 564
	VENT NIPPLE (2 Speed Axle)	-	-	-	1	1	1	1	1	1	1	1	1	-	-	-	-	-	697 322
	BREATHER (Hypoid)	-	-	-	-	-	-	-	-	-	-	-	1	1	-	-	-	-	1267 562
	VENT (2 Speed Axle)	-	-	-	-	-	-	-	-	-	-	-	1	1	-	-	-	-	915 564
	BREATHER (one piece type)	-	-	-	-	-	-	-	-	-	-	-	-	1	1	1	1	1	1267 562
3-02-22	CAP, Breather (attached w/cotter pin)	-	-	-	-	-	-	-	-	-	-	-	-	-	1	1	1	1	572 141
	Pin, cotter	-	-	-	-	-	-	-	-	-	-	-	-	-	1	1	1	1	119 209
3-02-23	SPRING, Breather Cap (w/572 141 Cap)	-	-	-	-	-	-	-	-	-	-	-	-	-	1	1	1	1	572 142
DIFFERENTIAL AND CARRIER																			
3-03-1	DIFFERENTIAL, w/CARRIER	-	1	1	-	-	-	-	-	-	-	-	-	-	-	-	-	-	1193 374
	(3.73 to 1 ratio)	-	1	1	-	-	-	-	-	-	-	-	-	-	-	-	-	-	1193 379
	(4.1 to 1 ratio)	1,2,3	1	1	-	-	-	-	-	-	-	-	-	-	-	-	-	-	*1193 379
	(4.1 to 1 ratio) (B-4-B up to serial No. 82305547 also used on 82306035 thru 82306158 Det. and 85323097 S. L. Built; B-4-C up to serial No. 83388224 Det. and 85515400 S. L. Built)	4	1	1	-	-	-	-	-	-	-	-	-	-	-	-	-	-	*1193 379
	(4.1 to 1 ratio) (B-4-B after serial No. 82305547 except not used on 82306035 thru 82306158 Det. and 85323097 S. L. Built; B-4-C after serial No. 83388224 Det. and 85515400 S. L. Built)	4	1	1	-	-	-	-	-	-	-	-	-	-	-	-	-	-	1193 889
	(4.78 to 1 ratio)	1,2,3	1	1	-	-	-	-	-	-	-	-	-	-	-	-	-	-	*1195 388
	(4.78 to 1 ratio) (B-4-B up to serial No. 82297866 Det. and 85322292 S. L. Built; B-4-C up to serial No. 83384709 Det. and 85515298 S. L. Built)	4	1	1	-	-	-	-	-	-	-	-	-	-	-	-	-	-	*1195 388
	(4.78 to 1 ratio) (B-4-B after serial No. 82297866 Det. and 85322292 S. L. Built; B-4-C after serial No. 83384709 Det. and 85515298 S. L. Built)	4	1	1	-	-	-	-	-	-	-	-	-	-	-	-	-	-	1195 387

★ Indicates use as required.

Prices and specifications subject to change without notice.

☐ Indicates parts not listed in any previous parts books.

Series No. (1 indicates B-1 Series) (2 indicates B-2 Series) (3 indicates B-3 Series) (4 indicates B-4 Series)

Where no Series No. is shown part is for B-1, B-2, B-3 and B-4 Series.

* Indicates change or addition.

CODE	PART NAME AND DESCRIPTION	SERIES NO.	MODEL CODES														PART NO.			
			B	C	D	F	G	H & HH	FM	GM	HM & HHM	J	JM	K	KM	R		T	V	Y
DIFFERENTIAL AND CARRIER - Cont'd																				
3-03-1	DIFFERENTIAL, w/CARRIER																			
	(4.3 to 1 ratio)	-	1	1	-	-	-	-	-	-	-	-	-	-	-	-	-	-	-	1193 389
	(3.91 to 1 ratio)	-	-	1	-	-	-	-	-	-	-	-	-	-	-	-	-	-	-	1195 575
	(4.3 to 1 ratio)	1,2,3	-	-	1	-	-	-	-	-	-	-	-	-	-	-	-	-	-	1195 577
	(4.1 to 1 ratio)	4	-	-	1	-	-	-	-	-	-	-	-	-	-	-	-	-	-	1500 554
	(4.89 to 1 ratio)	-	-	1	-	-	-	-	-	-	-	-	-	-	-	-	-	-	-	1195 579
	(5.625 to 1 ratio)	1	-	-	1	-	1	1	1	1	-	-	-	-	-	-	-	-	-	1092 958
	(5.625 to 1 ratio)	2,3,4	-	-	-	1	1	1	1	1	-	-	-	-	-	-	-	-	-	1266 235
	(6.285 to 1 ratio)	-	-	-	1	1	1	1	1	1	-	-	-	-	-	-	-	-	-	1266 245
	(6.833 to 1 ratio)	-	-	-	1	1	1	1	1	1	-	-	-	-	-	-	-	-	-	1266 260
	(5.111 to 1 ratio)	-	-	-	-	-	-	-	-	-	1	1	-	-	-	-	-	-	-	1089 497
	(6.285 to 1 ratio)	-	-	-	-	-	-	-	-	-	1	1	-	-	-	-	-	-	-	1266 345
	(7.166 to 1 ratio)	-	-	-	-	-	-	-	-	-	1	1	-	-	-	-	-	-	-	1266 358
	(2 Speed Axle, 5.14-7.15 to 1 ratio)	1	-	-	1	1	1	1	1	1	1	1	-	-	-	-	-	-	-	1188 128
	(2 Speed Axle, 5.83-8.11 to 1 ratio)	1,2	-	-	1	1	1	1	1	1	1	1	-	-	-	-	-	-	-	1188 129
	(2 Speed Axle 5.83-8.11 to 1 ratio) (B-3-F up to serial No. 80397502 Det. and 86514615 S. L. Built; B-3-G up to serial No. 80087268 Det. and 86601508 S. L. Built; B-3-H and B-3-HH up to serial No. 82590220 Det. and 85603212 S. L. Built; B-3-GM up to serial No. 83702111 Det. and 85801103 S.L. Built; B-3-HM and B-3-HHM up to serial No. 8742408 Det. and 85501205 S. L. Built; B-3-J up to serial No. 82824667 Det. and 88601371 S. L. Built; B-3-JM up to serial No. 82952290 Det. and 88680211 S. L. Built)	3	-	-	1	1	1	-	1	1	1	1	-	-	-	-	-	-	-	1188 129
	(2 Speed Axle 5.83-8.11 to 1 ratio) (B-3-F after serial No. 80397502 Det. and 86514615 S. L. Built; B-3-G after serial No. 80087268 Det. and 86601508 S. L. Built; B-3-H and B-3-HH after serial No. 82590220 Det. and 85603212 S. L. Built; B-3-GM after serial No. 83702111 Det. and 85801103 S. L. Built; B-3-HM and B-3-HHM after serial No. 8742408 Det. and 85501205 S. L. Built; B-3-J after serial No. 82824667 Det. and 88601371 S. L. Built; B-3-JM after serial No. 82952290 Det. and 88680211 S. L. Built.)	3	-	-	1	1	1	-	1	1	1	-	1	-	-	-	-	-	-	Ⓜ1390 423
	(2 Speed Axle 5.83-8.11 to 1 ratio)	4	-	-	1	1	1	-	1	1	1	1	-	-	-	-	-	-	-	Ⓜ1390 423
	(2 Speed Axle 6.33-8.81 to 1 ratio)	-	-	-	1	1	1	-	1	1	1	1	-	-	-	-	-	-	-	Ⓜ1390 422
	(2 Speed Axle, 6.33-8.81 to 1 ratio)	4	-	-	1	1	1	-	1	1	1	1	-	-	-	-	-	-	-	Ⓜ1390 422

★ Indicates use as required.

Prices and specifications subject to change without notice.

Ⓜ Indicates parts not listed in any previous parts books.

Series No. (1 indicates B-1 Series) (2 indicates B-2 Series) (3 indicates B-3 Series) (4 indicates B-4 Series)

Where no Series No. is shown part is for B-1, B-2, B-3 and B-4 Series.

Printed in U.S.A.

CODE	PART NAME AND DESCRIPTION	SERIES NO.	MODEL CODES													PART NO.				
			B	C	D	F	G	H & HH	FM	GM	HM & HHM	J	JM	K	KM		R	T	V	Y
DIFFERENTIAL AND CARRIER - Cont'd																				
3-03-1	DIFFERENTIAL, w/CARRIER ratio)	-	-	-	-	-	-	-	-	-	-	-	-	1	1	-	-	-	-	1264 225
	(2 Speed Axle, 6.50-9.04 to 1 ratio)	2,3,4	-	-	-	-	-	-	-	-	-	-	-	1	1	-	-	-	-	1262 100
	(6.80 to 1 ratio)	-	-	-	-	-	-	-	-	-	-	-	-	1	1	-	-	-	-	1191 703
	(7.20 to 1 ratio)	-	-	-	-	-	-	-	-	-	-	-	-	1	1	-	-	-	-	1191 709
	(6.80 to 1 ratio)	1	-	-	-	-	-	-	-	-	-	-	-	-	-	1	-	-	-	1191 703
	(7.20 to 1 ratio)	1	-	-	-	-	-	-	-	-	-	-	-	-	-	1	-	-	-	1191 709
	(6.80 to 1 ratio) (H-100 Series Axle) (see note 1)	2,3,4	-	-	-	-	-	-	-	-	-	-	-	-	-	1	-	-	-	1191 703
	(Double Reduction Axle, 8.15 to 1 ratio)	1	-	-	-	-	-	-	-	-	-	-	-	-	-	1	-	-	-	1263 937
	(2 Speed Axle, 6.1-8.1 to 1 ratio) (see note 3)	1	-	-	-	-	-	-	-	-	-	-	-	-	-	1	-	-	-	1263 931
	(2 Speed Axle, 6.6-8.8 to 1 ratio) (see note 2)	1	-	-	-	-	-	-	-	-	-	-	-	-	-	1	-	-	-	1195 377
	(2 Speed Axle, 6.6-8.8 to 1 ratio) (see note 3)	1	-	-	-	-	-	-	-	-	-	-	-	-	-	1	-	-	-	1263 933
	(2 Speed Axle, 6.1-8.1 to 1 ratio) (H-300 Series Axle) (see note 1)	2,3,4	-	-	-	-	-	-	-	-	-	-	-	-	-	1	-	-	-	1263 931
	(2 Speed Axle, 6.64-9.18 to 1 ratio) (H-320 Series Axle) (see note 1)	2,3,4	-	-	-	-	-	-	-	-	-	-	-	-	-	1	-	-	-	1265 254
	(7.40 to 1 ratio) (H-120 and L-100 Series Axle) (see note 1)	2	-	-	-	-	-	-	-	-	-	-	-	-	-	1	1	-	-	1192 086
	(7.20 to 1 ratio) (H-120 and L-100 Series Axle) (see note 1)	2,3,4	-	-	-	-	-	-	-	-	-	-	-	-	-	1	1	-	-	1192 086
	(6.83 to 1 ratio)	-	-	-	-	-	-	-	-	-	-	-	-	-	-	-	1	-	-	1192 085
	(7.40 to 1 ratio)	1	-	-	-	-	-	-	-	-	-	-	-	-	-	-	1	-	-	1192 086
	(Double Reduction Axle, 8.28 to 1 ratio)	-	-	-	-	-	-	-	-	-	-	-	-	-	-	-	1	-	-	1190 777
	(2 Speed Axle, 6.32-8.22 to 1 ratio) (see note 3)	1	-	-	-	-	-	-	-	-	-	-	-	-	-	-	1	-	-	1263 937
	(2 Speed Axle, 6.64-9.18 to 1 ratio) (see note 2)	1	-	-	-	-	-	-	-	-	-	-	-	-	-	-	1	-	-	1196 552
	(2 Speed Axle, 6.64-9.18 to 1 ratio) (see note 3)	1	-	-	-	-	-	-	-	-	-	-	-	-	-	-	1	-	-	1263 939
	(2 Speed Axle, 6.3-8.2 to 1 ratio)	2,3,4	-	-	-	-	-	-	-	-	-	-	-	-	-	-	1	-	-	1263 937
	(2 Speed Axle, 6.64-9.18 to 1 ratio)	2,3,4	-	-	-	-	-	-	-	-	-	-	-	-	-	-	1	-	-	1263 939
	(6.83 to 1 ratio)	1	-	-	-	-	-	-	-	-	-	-	-	-	-	-	-	1	-	1192 401
	(7.80 to 1 ratio)	-	-	-	-	-	-	-	-	-	-	-	-	-	-	-	-	1	-	1192 478
	Double Reduction Axle, 8.53 to 1 ratio)	1	-	-	-	-	-	-	-	-	-	-	-	-	-	-	-	1	-	1192 722
	(2 Speed Axle, 6.42-8.38 to 1 ratio) (see note 2)	1	-	-	-	-	-	-	-	-	-	-	-	-	-	-	-	1	-	1192 840
	(2 Speed Axle, 6.53-8.53 to 1 ratio) (see note 3)	1	-	-	-	-	-	-	-	-	-	-	-	-	-	-	-	1	-	1263 941
	(2 Speed Axle, 7.12-9.55 to 1 ratio) (see note 3)	1	-	-	-	-	-	-	-	-	-	-	-	-	-	-	-	1	-	1263 943
	(6.83 to 1 ratio) (Q-100 Series Axle) (see note 1)	2,3,4	-	-	-	-	-	-	-	-	-	-	-	-	-	-	-	1	-	1192 401
	(Double Reduction Axle, 8.53 to 1 ratio) (Q-200 Series Axle) (see note 1)	2	-	-	-	-	-	-	-	-	-	-	-	-	-	-	-	1	1	1192 722
	(Double Reduction Axle, 8.38 to 1 ratio) (Q-200 Series Axle) (see note 1)	2,3,4	-	-	-	-	-	-	-	-	-	-	-	-	-	-	-	1	1	1192 722

★Indicates use as required.

Prices and specifications subject to change without notice.

□Indicates parts not listed in any previous parts books.

Series No. (1 indicates B-1 Series) (2 indicates B-2 Series) (3 indicates B-3 Series) (4 indicates B-4 Series)

Where no Series No. is shown part is for B-1, B-2, B-3 and B-4 Series.

* Indicates change or addition.

CODE	PART NAME AND DESCRIPTION	SERIES NO.	MODEL CODES													PART NO.				
			B	C	D	F	G	H & HH	FM	GM	HM & HHM	J	JM	K	KM		R	T	V	Y
DIFFERENTIAL AND CARRIER - Cont'd																				
3-03-1	DIFFERENTIAL, w/CARRIER (2 Speed Axle, 7.12-9.55 to 1 ratio)	2,3,4	-	-	-	-	-	-	-	-	-	-	-	-	-	-	-	1	-	1263 943
	(2 Speed Axle, 6.53-8.53 to 1 ratio) (Q-300 Series Axle) (see note 1).	2	-	-	-	-	-	-	-	-	-	-	-	-	-	-	-	1	1	1263 941
	(2 Speed Axle, 6.4-8.3 to 1 ratio) (Q-300 Series Axle) (see note 1).	2,3,4	-	-	-	-	-	-	-	-	-	-	-	-	-	-	-	1	1	1263 941
	(7.40 to 1 ratio) (R-100 Series Axle) (see note 1)	2,3,4	-	-	-	-	-	-	-	-	-	-	-	-	-	-	-	-	1	1267 744
	(Double Reduction Axle, 9.23 to 1 Ratio) (R-200 Series Axle) (see note 1).	2,3,4	-	-	-	-	-	-	-	-	-	-	-	-	-	-	-	-	1	1268 044
	(2 Speed Axle, 7.27-9.49 to 1 ratio) (R-300 Series Axle) (see note 1).	2	-	-	-	-	-	-	-	-	-	-	-	-	-	-	-	-	1	1268 062
	(2 Speed Axle, 7.27-9.49 to 1 ratio) (R-300 Series Axle) (see note 1) (up to serial No. 8303253 and also used on 8303293 and 8303321)	3	-	-	-	-	-	-	-	-	-	-	-	-	-	-	-	-	1	1268 062
	(2 Speed Axle, 7.27-9.49 to 1 ratio) (R-300 Series Axle) (see note 1) (after serial No. 8303253 except not used on 8303293 and 8303321)	3	-	-	-	-	-	-	-	-	-	-	-	-	-	-	-	-	1	E1393 103
	(2 Speed Axle, 7.27-9.49 to 1 ratio) (R-300 Series Axle) (see note 1).	4	-	-	-	-	-	-	-	-	-	-	-	-	-	-	-	-	1	E1393 103
	(2 Speed Axle, 6.4-8.3 to 1 ratio) (Q-300 Series Axle) (see note 1).	2	-	-	-	-	-	-	-	-	-	-	-	-	-	-	-	-	1	1268 061
	(2 Speed Axle, 6.4-8.3 to 1 ratio) (Q-300 Series Axle) (see note 1) (up to serial No. 8303253 and also used on 8303293 and 8303321).	3	-	-	-	-	-	-	-	-	-	-	-	-	-	-	-	-	1	1268 061
	(2 Speed Axle, 6.4-8.3 to 1 ratio) (Q-300 Series Axle) (see note 1) (after serial No. 8303253 except not used on 8303293 and 8303321).	3	-	-	-	-	-	-	-	-	-	-	-	-	-	-	-	-	1	E1393 105
	(2 Speed Axles, 6.4-8.3 to 1 ratio) (Q-300 Series Axle) (see note 1)	4	-	-	-	-	-	-	-	-	-	-	-	-	-	-	-	-	1	E1393 105
3-03-3	CARRIER, w/CAPS	1,2 3,4	1	1	-	-	-	-	-	-	-	-	-	-	-	-	-	-	-	1141 543
	(Hypoid Axle).	-	-	-	1	-	-	-	-	-	-	-	-	-	-	-	-	-	-	1092 136
	(2 Speed Axle).	-	-	-	1	1	1	1	1	1	1	1	1	1	1	1	1	1	1	594 685
	(2 Speed Axle).	-	-	-	1	1	1	1	1	1	1	1	1	1	1	1	1	1	1	597 262
	(Hypoid Axle).	-	-	-	-	-	-	-	-	-	-	-	1	1	-	-	-	-	-	922 638
	(Hypoid Axle).	2,3,4	-	-	-	-	-	-	-	-	-	1	1	-	-	-	-	-	-	1089 492
	(Hypoid Axle).	1	-	-	-	-	-	-	-	-	-	-	-	1	1	-	-	-	-	1191 729
	(Hypoid Axle) (H-100 Series Axle) (see note 1)	2,3,4	-	-	-	-	-	-	-	-	-	-	-	-	1	-	-	-	-	1191 729
	(Hypoid Axle) (H-120 and L-100 Series Axle) (see note 1)	2,3,4	-	-	-	-	-	-	-	-	-	-	-	-	1	1	-	-	-	1191 953
	(Double Reduction Axle).	1	-	-	-	-	-	-	-	-	-	-	-	-	1	-	-	-	-	1192 099
	(2 Speed Axle).	1	-	-	-	-	-	-	-	-	-	-	-	-	1	-	-	-	-	1190 690

★Indicates use as required.

Prices and specifications subject to change without notice.

⊠Indicates parts not listed in any previous parts books.

Series No. (1 indicates B-1 Series) (2 indicates B-2 Series) (3 indicates B-3 Series) (4 indicates B-4 Series)

Where no Series No. is shown part is for B-1, B-2, B-3 and B-4 Series.

April 6, 1953 Supersedes Dec. 31, 1952.

Printed in U.S.A.

* Indicates change or addition.

CODE	PART NAME AND DESCRIPTION	SERIES NO.	MODEL CODES													PART NO.				
			B	C	D	F	G	H & HH	FM	GM	HM & HHM	J	JM	K	KM		R	T	V	Y
DIFFERENTIAL AND CARRIER - Cont'd																				
3-03-3	CARRIER, w/CAPS (2 Speed Axle) (H-300 Series Axle) (see note 1)	2, 3, 4	-	-	-	-	-	-	-	-	-	-	-	-	-	1	-	-	-	*1190 690
	(2 Speed Axle) (H-320 and L-300 Series Axle) (see note 1)	2, 3, 4	-	-	-	-	-	-	-	-	-	-	-	-	-	1	1	-	-	1192 299
	(Hypoid Axle)	-	-	-	-	-	-	-	-	-	-	-	-	-	-	-	1	-	-	1191 953
	(Double Reduction Axle)	-	-	-	-	-	-	-	-	-	-	-	-	-	-	-	1	-	-	1192 202
	(2 Speed Axle)	1	-	-	-	-	-	-	-	-	-	-	-	-	-	-	1	-	-	1192 299
	(Hypoid Axle)	1	-	-	-	-	-	-	-	-	-	-	-	-	-	-	-	1	-	1192 406
	(Hypoid Axle) (Q-100 Series Axle) (see note 1)	2, 3, 4	-	-	-	-	-	-	-	-	-	-	-	-	-	-	-	1	1	1192 406
	(Double Reduction Axle)	1	-	-	-	-	-	-	-	-	-	-	-	-	-	-	-	1	-	1192 725
	(Double Reduction Axle) (Q-200 Series Axle) (see note 1)	2, 3, 4	-	-	-	-	-	-	-	-	-	-	-	-	-	-	-	1	1	1192 725
	(2 Speed Axle)	1	-	-	-	-	-	-	-	-	-	-	-	-	-	-	-	1	-	1192 843
	(2 Speed Axle) (Q-300 Series Axle) (see note 1)	2, 3, 4	-	-	-	-	-	-	-	-	-	-	-	-	-	-	-	1	1	1192 843
	(Hypoid Axle) (R-100 Series Axle) (see note 1)	2, 3, 4	-	-	-	-	-	-	-	-	-	-	-	-	-	-	-	-	1	1267 735
	(Double Reduction Axle) (R-200 Series Axle) (see note 1)	2, 3, 4	-	-	-	-	-	-	-	-	-	-	-	-	-	-	-	-	1	1268 046
	(2 Speed Axle) (R-300 Series Axle) (see note 1)	2, 3, 4	-	-	-	-	-	-	-	-	-	-	-	-	-	-	-	-	1	1268 563
	Plug (filler)	-	1	1	-	-	-	-	-	-	-	-	-	-	-	-	-	-	-	103 869
	Plug	-	-	-	1	-	-	-	-	-	-	-	-	-	-	-	-	-	-	103 875
	Plug (2 Speed Axle)	-	-	-	-	1	1	1	1	1	1	1	1	1	1	-	-	-	-	103 876
	Plug (Double Reduction and 2 Speed Axles) (all except R-200 and R-300 Series Axles)	-	-	-	-	-	-	-	-	-	-	-	-	-	-	1	1	1	1	106 642
	Plug (Double Reduction and 2 Speed Axles, Models R-200 and R-300)	2, 3, 4	-	-	-	-	-	-	-	-	-	-	-	-	-	-	-	-	1	113 181
3-03-8	SCREW, Bearing Cap	-	4	4	-	-	-	-	-	-	-	-	-	-	-	-	-	-	-	314 948
	(Hypoid Axle)	-	-	-	4	-	-	-	-	-	-	-	-	-	-	-	-	-	-	124 265
	(Hypoid Axle)	-	-	-	-	4	4	4	4	4	4	4	4	4	4	4	4	4	4	587 528
	Washer, lock	-	4	4	-	-	-	-	-	-	-	-	-	-	-	-	-	-	-	588 945
	Washer, lock	-	-	-	4	-	-	-	-	-	-	-	-	-	-	-	-	-	-	118 975
	Washer, lock	-	-	-	-	4	4	4	4	4	4	4	4	4	4	4	4	4	4	138 557
	Washer, lock	-	-	-	-	-	-	-	-	-	-	-	-	-	-	4	4	-	-	138 561
	Washer, lock	-	-	-	-	-	-	-	-	-	-	-	-	-	-	-	-	-	-	138 566
	SCREW, Bearing Cap (2 Speed Axle)	-	-	-	4	4	4	4	4	4	4	4	4	4	4	4	4	4	4	579 119
	(2 Speed Axle)	-	-	-	-	-	-	-	-	-	-	-	-	-	4	4	-	-	-	921 582
	SCREW, Carrier Cap	2, 3, 4	-	-	-	-	-	-	-	-	-	-	-	-	★	★	-	-	-	1273 912
	(H-100 and H-300 Series Axles) (see note 1)	2, 3, 4	-	-	-	-	-	-	-	-	-	-	-	-	-	-	★	-	-	1273 912
	(H-120, H-320, L-100, L-200, L-300, Series Axles) (see note 1)	2, 3, 4	-	-	-	-	-	-	-	-	-	-	-	-	-	-	★	★	-	1273 913
	(Q-100, Q-200 and Q-300, series Axle) (see note 1)	2, 3, 4	-	-	-	-	-	-	-	-	-	-	-	-	-	-	-	★	★	1273 914
	(R-200 and R-300 Series Axles) (see note 1)	2, 3, 4	-	-	-	-	-	-	-	-	-	-	-	-	-	-	-	-	★	1273 914
	STUD, Carrier Cap (Hypoid Axle)	2	-	-	-	-	-	-	-	-	-	-	-	-	★	★	-	-	-	1191 733
	(Hypoid Axle)	1	-	-	-	-	-	-	-	-	-	-	-	-	-	-	4	-	-	1191 733
	(H-100 and H-300 Series Axle) (see note 1)	2	-	-	-	-	-	-	-	-	-	-	-	-	-	-	-	★	-	1191 733
	Nut	-	-	-	-	-	-	-	-	-	-	-	-	-	★	★	★	-	-	125 267
	(Hypoid and 2 Speed Axles)	1	-	-	-	-	-	-	-	-	-	-	-	-	-	-	1	-	-	1191 956
	(Hypoid and 2 Speed Axles) (H-120, H-320, L-100 and L-300 Series Axles) (see note 1)	2	-	-	-	-	-	-	-	-	-	-	-	-	-	-	★	★	-	1191 956

★Indicates use as required.

□Indicates parts not listed in any previous parts books.

Series No. (1 indicates B-1 Series) (2 indicates B-2 Series) (3 indicates B-3 Series) (4 indicates B-4 Series)

Where no Series No. is shown part is for B-1, B-2, B-3 and B-4 Series.

* Indicates change or addition.

Prices and specifications subject to change without notice.

Printed in U.S.A.

May 1, 1953 Supersedes April 6, 1953.

CODE	PART NAME AND DESCRIPTION	SERIES NO.	MODEL CODES													PART NO.					
			B	C	D	F	G	H & HH	FM	GM	HM & HHM	J	JM	K	KM		R	T	V	Y	
DIFFERENTIAL AND CARRIER - Cont'd																					
3-03-8	STUD, Carrier Cap	1	-	-	-	-	-	-	-	-	-	-	-	-	-	-	-	4	-	1192-411	
	(Double Reduction Axle)	1,2	-	-	-	-	-	-	-	-	-	-	-	-	-	-	-	★	-	*1192 195	
	Nut		-	-	-	-	-	-	-	-	-	-	-	-	-	-	-	★	★	* 119 257	
	(Q-100, Q-200 and Q-300 Series Axles) (see note 1)	2	-	-	-	-	-	-	-	-	-	-	-	-	-	-	-	-	4	4	1192 411
	(Double Reduction and 2 Speed Axles) (R-200 and R-300 Series Axles) (see note 1)	2	-	-	-	-	-	-	-	-	-	-	-	-	-	-	-	-	-	4	1192 411
	(Hypoid Axle) (R-100 Series Axle) (see note 1)	2, 3, 4	-	-	-	-	-	-	-	-	-	-	-	-	-	-	-	-	-	4	1267 737
3-03-9	PLUG, Inspection (Hypoid Axle) . .	-	-	-	-	-	-	-	-	-	-	-	-	1	1	1	1	1	1	1	1191 738
3-03-10	COVER, Inspection Hole (Double Reduction and 2 Speed Axles) . .	1	-	-	-	-	-	-	-	-	-	-	-	-	-	-	-	1	1	-	1192 198
	(Double Reduction and 2 Speed Axles) (all except H-300 Series Axle) (see note 1)	2, 3, 4	-	-	-	-	-	-	-	-	-	-	-	-	-	1	1	1	1	1	1192 198
	Bolt, 3/8"-16 x 1"	-	-	-	-	-	-	-	-	-	-	-	-	-	-	4	4	4	4	4	120 233
	Washer, lock	-	-	-	-	-	-	-	-	-	-	-	-	-	-	4	4	4	4	4	120 382
3-03-11	GASKET, Inspection Hole Cover (Double Reduction and 2 Speed Axles)	1	-	-	-	-	-	-	-	-	-	-	-	-	-	-	-	1	1	-	1192 199
	(Double Reduction and 2 Speed Axles) (all except H-300 Series Axle) (see note 1)	2, 3, 4	-	-	-	-	-	-	-	-	-	-	-	-	1	1	1	1	1	1	1192 199
3-03-25	GASKET, Carrier	-	1	1	-	-	-	-	-	-	-	-	-	-	-	-	-	-	-	-	1318 011
	(Hypoid Axle)	-	-	-	1	1	1	1	1	1	1	1	1	-	-	-	-	-	-	-	929 877
	(2 Speed Axle)	-	-	-	1	1	1	1	1	1	1	1	-	-	-	-	-	-	-	-	1089 494
	(Hypoid Axle)	2	-	-	-	-	-	-	-	-	-	-	1	1	-	-	-	-	-	-	596 814
	(2 Speed Axle)	1	-	-	-	-	-	-	-	-	-	-	1	1	-	-	-	-	-	-	921 599
	(H-100 and H-300 Series Axles) (see note 1)	2, 3, 4	-	-	-	-	-	-	-	-	-	-	-	-	1	-	-	-	-	-	1191 731
	(H-120, H-320, L-100, L-200 and L-300 Series Axles) (see note 1)	2, 3, 4	-	-	-	-	-	-	-	-	-	-	-	-	1	-	-	-	-	-	1191 731
		1	-	-	-	-	-	-	-	-	-	-	-	-	1	1	-	-	-	-	1191 958
		-	-	-	-	-	-	-	-	-	-	-	-	-	-	-	-	1	1	-	1191 958
		-	-	-	-	-	-	-	-	-	-	-	-	-	-	-	-	-	1	1	1192 575
3-03-26	BOLT, Carrier (Short)	1	7	7	-	-	-	-	-	-	-	-	-	-	-	-	-	-	-	-	1135 197
	(Long)	1	4	4	-	-	-	-	-	-	-	-	-	-	-	-	-	-	-	-	1135 196
	(Short) (Hypoid Axle)	2, 3, 4	11	11	-	-	-	-	-	-	-	-	-	-	-	-	-	-	-	-	1135 197
	(Short) (Hypoid Axle)	1,2	-	-	-	8	8	8	8	8	8	8	-	-	-	-	-	-	-	-	122 279
	(Long) (Hypoid Axle)	3,4	-	-	-	8	8	8	-	8	8	8	-	-	-	-	-	-	-	-	122 267
	(Short) (Hypoid Axle)	-	-	-	-	4	4	4	4	4	4	4	-	-	-	-	-	-	-	-	122 293
	(Short) (2 Speed Axle)	1,2	-	-	-	10	10	10	10	10	10	10	-	-	-	-	-	-	-	-	579 335
	(Long) (2 Speed Axle)	3,4	-	-	-	10	10	10	-	10	10	10	-	-	-	-	-	-	-	-	122 267
	(Short) (2 Speed Axle)	-	-	-	-	2	2	2	2	2	2	2	-	-	-	-	-	-	-	-	596 815
	Nut	-	-	-	-	-	-	-	-	-	-	-	10	10	-	-	-	-	-	-	1188 379
	Washer, lock	-	11	11	-	-	-	-	-	-	-	-	-	-	-	-	-	-	-	-	189 381
	Washer, lock	-	-	-	-	12	12	12	12	12	12	12	-	-	-	-	-	-	-	-	120 383
	SCREW, Carrier Puller	-	-	-	-	-	-	-	-	-	-	-	12	12	-	-	-	-	-	-	120 384
	Nut	-	-	-	-	-	-	-	-	-	-	-	2	2	2	2	2	2	2	2	140 982
		-	-	-	-	-	-	-	-	-	-	-	2	2	2	2	2	2	2	2	120 378

★ Indicates use as required.

Prices and specifications subject to change without notice.

☐ Indicates parts not listed in any previous parts books.

Series No. (1 indicates B-1 Series) (2 indicates B-2 Series) (3 indicates B-3 Series) (4 indicates B-4 Series)

Where no Series No. is shown part is for B-1, B-2, B-3 and B-4 Series.

Printed in U.S.A.

May 1, 1953 Supersedes April 6, 1953.

* Indicates change or addition.

CODE	PART NAME AND DESCRIPTION	SERIES NO.	MODEL CODES													PART NO.				
			B	C	D	F	G	H & HH	FM	GM	HM & HHM	J	JM	K	KM		R	T	V	Y
DIFFERENTIAL AND CARRIER - Cont'd																				
3-03-26	STUD, Carrier	-	-	-	12	-	-	-	-	-	-	-	-	-	-	-	-	-	929 855	
	(Long) (Hypoid Axle)	2, 3, 4	-	-	-	-	-	-	-	-	-	-	-	4	4	-	-	-	1193 256	
	(Short) (Hypoid Axle)	2, 3, 4	-	-	-	-	-	-	-	-	-	-	-	10	10	-	-	-	1191 734	
	(Long)	1	-	-	-	-	-	-	-	-	-	-	-	-	-	4	-	-	1193 256	
	(Short)	1	-	-	-	-	-	-	-	-	-	-	-	-	-	10	-	-	1191 734	
	(Long) (H-100 and H-300 Series Axles) (see note 1)	2, 3, 4	-	-	-	-	-	-	-	-	-	-	-	-	-	4	-	-	1193 256	
	(Short) (H-100 and H-300 Series Axles) (see note 1)	-	-	-	-	-	-	-	-	-	-	-	-	-	-	10	-	-	1191 734	
	Nut	-	-	-	-	-	-	-	-	-	-	-	-	14	14	14	-	-	120 371	
	Washer, lock	-	-	-	-	-	-	-	-	-	-	-	-	14	14	14	-	-	120 384	
	(Long)	1	-	-	-	-	-	-	-	-	-	-	-	-	-	-	4	4	1193 255	
	(Short)	1	-	-	-	-	-	-	-	-	-	-	-	-	-	10	10	-	1191 959	
	(Long) (all except H-100 and H-300 Series Axles) (see note 1)	2, 3, 4	-	-	-	-	-	-	-	-	-	-	-	-	-	4	4	4	1193 255	
	(Short) (all except H-100 and H-300 Series Axles) (see note 1)	2, 3, 4	-	-	-	-	-	-	-	-	-	-	-	-	-	10	10	10	1191 959	
	Nut	-	-	-	-	-	-	-	-	-	-	-	-	-	-	14	14	14	121 358	
	Washer, lock	-	-	-	-	-	-	-	-	-	-	-	-	-	-	14	14	14	121 574	
3-03-28	DOWEL, Carrier (Hypoid Axle) (Double Reduction and 2 Speed Axles)	1	-	-	-	2	2	2	2	2	2	2	2	-	-	-	-	-	563 656	
	(2 Speed Axle) (H-300 Series Axle) (see note 1)	2, 3, 4	-	-	-	-	-	-	-	-	-	-	-	-	-	4	-	-	1192 897	
3-03-29	COVER, Carrier (Double Reduction Axle)	-	-	-	-	-	-	-	-	-	-	-	-	-	-	-	-	1	1	1192 788
	Bolt, 3/8-16 x 1"	-	-	-	-	-	-	-	-	-	-	-	-	-	-	-	-	4	4	120 233
	Washer, lock	-	-	-	-	-	-	-	-	-	-	-	-	-	-	-	-	4	4	120 382
3-03-30	GASKET, Carrier Cover (Double Reduction Axle)	-	-	-	-	-	-	-	-	-	-	-	-	-	-	-	-	1	1	1192 789
3-03-31	NUT, Carrier Stud	-	-	12	-	-	-	-	-	-	-	-	-	-	-	-	-	-	-	929 857
	Washer, lock	-	-	12	-	-	-	-	-	-	-	-	-	-	-	-	-	-	-	120 383
3-03-38	LOCKWIRE, Carrier Cap Screw or Stud Nut	-	-	-	-	-	-	-	-	-	-	-	-	-	-	2	2	-	-	581 776
	(Hypoid Axle)	1	-	-	-	-	-	-	-	-	-	-	-	2	2	-	-	2	-	581 776
	(Double Reduction and 2 Speed Axle)	1	-	-	-	-	-	-	-	-	-	-	-	-	-	-	-	2	-	1090 679
	(Hypoid Axle) (Q-100 Series Axle) (see note 1)	2, 3, 4	-	-	-	-	-	-	-	-	-	-	-	-	-	-	-	2	2	581 776
	(Double Reduction and 2 Speed Axle) (see note 1)	2, 3, 4	-	-	-	-	-	-	-	-	-	-	-	-	-	-	-	2	2	1090 679
	(Hypoid Axle) (R-100 Series Axle) (see note 1)	2, 3, 4	-	-	-	-	-	-	-	-	-	-	-	-	-	-	-	-	2	1267 952
	(Double Reduction Axle) (R-200 Series Axle) (see note 1)	2, 3, 4	-	-	-	-	-	-	-	-	-	-	-	-	-	-	-	-	2	1090 679
	(2 Speed Axle) (R-300 Series Axle) (see note 1)	2, 3, 4	-	-	-	-	-	-	-	-	-	-	-	-	-	-	-	2	-	586 050
3-03-41	WASHER, Carrier	-	11	11	-	-	-	-	-	-	-	-	-	-	-	-	-	-	-	1116 246
3-03-43	WASHER, Carrier Cap Stud Nut (2 Speed Axle)	1	-	-	-	-	-	-	-	-	-	-	-	-	-	4	-	-	-	1191 736
	(2 Speed Axle) (H-300 Series Axle) (see note 1)	2	-	-	-	-	-	-	-	-	-	-	-	-	-	4	-	-	-	1191 736

★ Indicates use as required.

□ Indicates parts not listed in any previous parts books.

Series No. (1 indicates B-1 Series) (2 indicates B-2 Series) (3 indicates B-3 Series) (4 indicates B-4 Series)

Where no Series No. is shown part is for B-1, B-2, B-3 and B-4 Series.

* Indicates change or addition.

Prices and specifications subject to change without notice.

CODE	PART NAME AND DESCRIPTION	SERIES NO.	MODEL CODES														PART NO.		
			B	C	D	F	G	H & HH	FM	GM	HM & HHM	J	JM	K	KM	R		T	V
DIFFERENTIAL AND CARRIER - Cont'd																			
3-03-49	DISTRIBUTOR, Oil (2 Speed Axle)	-	-	-	-	1	1	1	1	1	1	1	-	-	-	-	-	-	1273 784
	(2 Speed Axle)	1,2	-	-	-	-	-	-	-	-	-	-	1	1	-	-	-	-	586 324
	(2 Speed Axle)	3,4	-	-	-	-	-	-	-	-	-	-	1	1	-	-	-	-	1273 785
3-03-50	DRUM, Oil Collector (2 Speed Axle)	-	-	-	-	1	1	1	1	1	1	1	-	-	-	-	-	-	585 710
	(2 Speed Axle)	-	-	-	-	-	-	-	-	-	-	-	1	1	-	-	-	-	1193 474
3-03-51	PLUG, Oil Distributor (2 Speed Axle) (1 3/8" x 12") . .	-	-	-	-	1	1	1	1	1	1	1	1	1	-	-	-	-	585 727
	(2 Speed Axle) (1" x 11 1/2") . .	-	-	-	-	1	1	1	1	1	1	1	1	1	-	-	-	-	103 876
3-03-52	GASKET, Oil Distributor (2 Speed Axle)	-	-	-	-	1	1	1	1	1	1	1	1	1	-	-	-	-	585 726
3-03-53	SPRING, Oil Distributor (2 Speed Axle)	-	-	-	-	1	1	1	1	1	1	1	1	1	-	-	-	-	585 725
3-03-54	SCREW, Oil Distributor Retainer (2 Speed Axle)	-	-	-	-	1	1	1	1	1	1	1	1	1	-	-	-	-	585 724
	Washer, lock	-	-	-	-	1	1	1	1	1	1	1	1	1	-	-	-	-	120 383
DIFFERENTIAL CASE																			
3-04-6	CASE (W/CAPS) (3.73 to 1 ratio) .	-	1	1	-	-	-	-	-	-	-	-	-	-	-	-	-	-	1092 042
	(w/CAPS) (4.3 to 1 ratio) . . .	-	1	1	-	-	-	-	-	-	-	-	-	-	-	-	-	-	*1092 041
	(w/CAPS) (4.1 to 1 and 4.78 to 1 ratio)	1,2,3	1	1	-	-	-	-	-	-	-	-	-	-	-	-	-	-	*1092 041
	(w/CAPS) (4.1 to 1 ratio) (B-4-B up to serial No. 82305547 also used on 82306035 thru 82306158 Det. and 85323097 S. L. Built; B-4-C up to serial No. 83388224 Det. and 85515400 S. L. Built)	4	1	1	-	-	-	-	-	-	-	-	-	-	-	-	-	-	*1092 041
	(4.1 to 1 ratio) (B-4-B after serial No. 82305547 except not used on 82306035 thru 82306158 Det. and 85323097 S. L. Built; B-4-C after serial No. 83388224 Det. and 85515400 S. L. Built) . .	4	1	1	-	-	-	-	-	-	-	-	-	-	-	-	-	-	E1327 882
	(w/CAPS) (4.78 to 1 ratio) (B-4-B up to serial No. 82297866 Det. and 85322292 S. L. Built; B-4-C up to serial No. 83384709 Det. and 85515298 S. L. Built) . . .	4	1	1	-	-	-	-	-	-	-	-	-	-	-	-	-	-	*1092 041
	(4.78 to 1 ratio) (B-4-B after serial No. 82297866 Det. and 85322292 S. L. Built; B-4-C after serial No. 83384709 Det. and 85515298 S. L. Built)	4	1	1	-	-	-	-	-	-	-	-	-	-	-	-	-	-	E1327 882
	(W/CAPS) (3.91 to 1 and 4.1 to 1 ratio)	-	-	-	1	-	-	-	-	-	-	-	-	-	-	-	-	-	1092 112
	(W/CAPS) (all except 3.91 to 1 and 4.1 to 1 ratio) . . .	-	-	-	1	-	-	-	-	-	-	-	-	-	-	-	-	-	927 836
	Pin, stght.	-	3	3	3	-	-	-	-	-	-	-	-	-	-	-	-	-	142 520
	(Hypoid Axle) (also specify 1266 216 Shaft and 141 270 Pin)	1	-	-	-	1	-	1	-	1	-	-	-	-	-	-	-	-	1266 215

★ Indicates use as required.

E Indicates parts not listed in any previous parts books.

Series No. (1 indicates B-1 Series) (2 indicates B-2 Series) (3 indicates B-3 Series) (4 indicates B-4 Series)

Where no Series No. is shown part is for B-1, B-2, B-3 and B-4 Series.

April 6, 1953 Supersedes Dec. 31, 1952.

Prices and specifications subject to change without notice.

Printed in U.S.A.

* Indicates change or addition.

CODE	PART NAME AND DESCRIPTION	SERIES NO.	MODEL CODES													PART NO.				
			B	C	D	F	G	H & HH	FM	GM	HM & HHM	J	JM	K	KM		R	T	V	Y
DIFFERENTIAL CASE - Cont'd																				
3-04-6	CASE																			
	(Hypoid Axle)	2, 3, 4	-	-	-	1	1	1	-	1	1	-	-	-	-	-	-	-	-	1266 215
	(Hypoid Axle) (also specify 1266 219 Shaft and 141 270 Pin)	1	-	-	-	-	-	-	-	-	-	1	1	-	-	-	-	-	-	1266 218
	(Hypoid Axle)	2, 3, 4	-	-	-	-	-	-	-	-	-	1	1	-	-	-	-	-	-	1266 218
	(W/Bearing CONE) (Hypoid Axle)	2, 3, 4	-	-	-	-	-	-	-	-	-	-	-	1	1	-	-	-	-	1191 702
	(W/Bearing CONE) (Hypoid Axle)	1	-	-	-	-	-	-	-	-	-	-	-	-	-	1	-	-	-	1191 702
	(W/Bearing CONE) (Hypoid Axle) (H-100 Series Axle) (see note 2)	2, 3, 4	-	-	-	-	-	-	-	-	-	-	-	-	-	1	-	-	-	1191 702
	(Double Reduction and 2 Speed Axles)	1	-	-	-	-	-	-	-	-	-	-	-	-	-	1	-	-	-	1192 101
	(2 Speed Axle) (H-300 Series Axle) (see note 1)	2, 3, 4	-	-	-	-	-	-	-	-	-	-	-	-	-	1	-	-	-	1192 101
	(W/Bearing CONE) (Hypoid Axle) (H-120 and L-100 Series Axles) (see note 1).	2, 3, 4	-	-	-	-	-	-	-	-	-	-	-	-	-	1	1	-	-	1191 960
	(W/Bearing CONE) (Hypoid Axle)	1	-	-	-	-	-	-	-	-	-	-	-	-	-	-	1	-	-	1191 960
	(Double Reduction and 2 Speed Axles)	1	-	-	-	-	-	-	-	-	-	-	-	-	-	-	1	-	-	1192 196
	(Double Reduction and 2 Speed Axles) (H-320, L-200 and L-300 Series Axles) (see note 1)	2, 3, 4	-	-	-	-	-	-	-	-	-	-	-	-	-	1	1	-	-	1192 196
	(W/Bearing CONE) (Hypoid Axle)	1	-	-	-	-	-	-	-	-	-	-	-	-	-	-	-	1	-	1192 408
	(Double Reduction and 2 Speed Axles)	1	-	-	-	-	-	-	-	-	-	-	-	-	-	-	-	1	-	1192 728
	(W/Bearing CONE) (Hypoid Axle) (Q-100 Series Axle) (see note 1)	2, 3, 4	-	-	-	-	-	-	-	-	-	-	-	-	-	-	-	1	1	1192 408
	(Double Reduction and 2 Speed Axles) (Q-200 and Q-300 Series Axles) (see note 1)	2, 3, 4	-	-	-	-	-	-	-	-	-	-	-	-	-	-	-	1	1	1192 728
	(Hypoid Axle) (R-100 Series Axle) (see note 1)	2, 3, 4	-	-	-	-	-	-	-	-	-	-	-	-	-	-	-	-	1	1268 443
	(Double Reduction Axle) (R-200 Series Axle) (see note 1)	-	-	-	-	-	-	-	-	-	-	-	-	-	-	-	-	-	1	1268 050
	(2 Speed Axle) (R-300 Series Axle) (see note 1)	2, 3, 4	-	-	-	-	-	-	-	-	-	-	-	-	-	-	-	-	1	1268 566
	DIFFERENTIAL (w/o Gears)																			
	(2 Speed Axle)	-	-	-	-	1	1	1	1	1	1	1	1	-	-	-	-	-	-	597 127
	(w/o Gears) (2 Speed Axle)	-	-	-	-	-	-	-	-	-	-	-	-	1	1	-	-	-	-	1193 494
	(W/O Gears) (2 Speed Axle)	-	-	-	-	-	-	-	-	-	-	-	-	1	1	-	-	-	-	1193 494

★ Indicates use as required.

Prices and specifications subject to change without notice.

☐ Indicates parts not listed in any previous parts books.

Series No. (1 indicates B-1 Series) (2 indicates B-2 Series) (3 indicates B-3 Series) (4 indicates B-4 Series)

Where no Series No. is shown part is for B-1, B-2, B-3 and B-4 Series.

* Indicates change or addition.

CODE	PART NAME AND DESCRIPTION	SERIES NO.	MODEL CODES													PART NO.			
			B	C	D	F	G	H & HH	FM	GM	HM & HHM	J	JM	K	KM		R	T	V
DIFFERENTIAL CASE - Cont'd																			
3-04-10	BOLT (long) (Hypoid Axle)	2, 3, 4	-	-	-	-	-	-	-	-	-	-	-	8	8	-	-	-	1267 771
	(short) (Hypoid Axle)	2, 3, 4	-	-	-	-	-	-	-	-	-	-	-	4	4	-	-	-	1191 724
	(long) (Hypoid Axle)	1	-	-	-	-	-	-	-	-	-	-	-	-	-	4	-	-	1191 725
	(short) (Hypoid Axle)	1	-	-	-	-	-	-	-	-	-	-	-	-	-	4	-	-	1191 724
	(long) (Hypoid Axle) (H-100 Series Axle) (see note 1)	2, 3, 4	-	-	-	-	-	-	-	-	-	-	-	-	-	8	-	-	1267 771
	(short) (Hypoid Axle) (H-100 Series Axle) (see note 1)	2, 3, 4	-	-	-	-	-	-	-	-	-	-	-	-	-	4	-	-	1191 724
	(long) (Hypoid Axle)	1	-	-	-	-	-	-	-	-	-	-	-	-	-	-	8	-	1191 964
	(short) (Hypoid Axle)	1	-	-	-	-	-	-	-	-	-	-	-	-	-	-	4	4	1191 963
	(long) (Hypoid Axle) (H-120 and L-100 Series Axles) (see note 1)	2, 3, 4	-	-	-	-	-	-	-	-	-	-	-	-	8	8	-	-	1191 964
	(short) (Hypoid Axle) (H-120, L-100 and Q-100 Series Axles) (see note 1)	2, 3, 4	-	-	-	-	-	-	-	-	-	-	-	-	-	4	4	4	1191 963
	(long) (Hypoid Axle)	1	-	-	-	-	-	-	-	-	-	-	-	-	-	-	8	-	1192 414
	(long) (Hypoid Axle) (Q-100 Series Axle) (see note 1)	2, 3, 4	-	-	-	-	-	-	-	-	-	-	-	-	-	-	8	8	1192 414
	Nut	-	-	-	-	-	-	-	-	-	-	-	12	12	12	12	12	12	125 250
	(long) (Hypoid Axle) (R-100 Series Axle) (see note 1)	-	-	-	-	-	-	-	-	-	-	-	-	-	-	-	-	8	1267 710
	(short) (Hypoid Axle) (R-100 Series Axle) (see note 1)	-	-	-	-	-	-	-	-	-	-	-	-	-	-	-	-	4	1267 709
	Nut	-	-	-	-	-	-	-	-	-	-	-	-	-	-	-	-	12	125 267
	SCREW (long) (2 Speed Axle)	-	-	-	8	8	8	8	8	8	8	8	-	-	-	-	-	-	597 119
	(short) (2 Speed Axle)	-	-	-	4	4	4	4	4	4	4	4	4	4	-	-	-	-	597 118
	(long) (2 Speed Axle)	-	-	-	-	-	-	-	-	-	-	-	8	8	-	-	-	-	921 586
3-04-11	LOCKWIRE, Bolt Nut (Hypoid Axle)	2, 3, 4	-	-	-	-	-	-	-	-	-	-	4	4	4	-	-	-	1264 666
	(Hypoid Axle)	-	-	-	-	-	-	-	-	-	-	-	-	-	-	4	4	4	581 776
3-04-23	CAP (use with 1327 882 differential case)	4	6	6	-	-	-	-	-	-	-	-	-	-	-	-	-	-	1327 883
	Screw or Bolt, 3/8"-16 x 1"	4	6	6	-	-	-	-	-	-	-	-	-	-	-	-	-	-	* 120 233
3-04-26	WASHER, Cap Screw (use with 1327 882 differential case)	4	6	6	-	-	-	-	-	-	-	-	-	-	-	-	-	-	* 668 555
DIFFERENTIAL GEAR SUPPORT																			
3-05-1	CASE, Left (2 Speed Axle)	-	-	-	1	1	1	1	1	1	1	1	-	-	-	-	-	-	585 603
	Right (2 Speed Axle)	-	-	-	1	1	1	1	1	1	1	1	-	-	-	-	-	-	597 106
	Left (2 Speed Axle)	-	-	-	-	-	-	-	-	-	-	-	1	1	-	-	-	-	1193 473
	Right (2 Speed Axle)	-	-	-	-	-	-	-	-	-	-	-	1	1	-	-	-	-	1193 472
3-05-3	WASHER, Thrust Right (2 Speed Axle)	-	-	-	1	1	1	1	1	1	1	1	-	-	-	-	-	-	578 988
	(2 Speed Axle)	-	-	-	-	-	-	-	-	-	-	-	1	1	-	-	-	-	922 613
3-05-4	BOLT (2 Speed Axle)	-	-	-	6	6	6	6	6	6	6	6	-	-	-	-	-	-	578 995
	(2 Speed Axle)	-	-	-	-	-	-	-	-	-	-	-	8	8	-	-	-	-	921 585
3-05-5	NUT, Bolt (2 Speed Axle)	-	-	-	6	6	6	6	6	6	6	6	-	-	-	-	-	-	579 337
	(2 Speed Axle)	-	-	-	-	-	-	-	-	-	-	-	8	8	-	-	-	-	921 583

★ Indicates use as required. Prices and specifications subject to change without notice.
 □ Indicates parts not listed in any previous parts books.
 Series No. (1 indicates B-1 Series) (2 indicates B-2 Series) (3 indicates B-3 Series) (4 indicates B-4 Series)
 Where no Series No. is shown part is for B-1, B-2, B-3 and B-4 Series.
 * Indicates change or addition. Page 3-27 April 6, 1953 Supersedes Dec. 31, 1952. Printed in U.S.A.

CODE	PART NAME AND DESCRIPTION	SERIES NO.	MODEL CODES														PART NO.			
			B	C	D	F	G	H & HH	FM	GM	HM & HHM	J	JM	K	KM	R		T	V	Y
DIFFERENTIAL GEAR SUPPORT - Cont'd																				
3-05-6	LOCKWIRE, Bolt Nut (2 Speed axle)	-	-	-	-	1	1	1	1	1	1	1	1	1	1	-	-	-	-	586 073
DIFFERENTIAL SIDE GEAR																				
3-06-5	GEAR (16 T.) (4.1 to 1 ratio-B-1-B up to serial No. 82089950, B-1-C up to serial No. 83323320; 4.78 to 1 Ratio B-1-B up to serial No. 82088178, B-1-C up to serial No. 83322860)	1	2	2	-	-	-	-	-	-	-	-	-	-	-	-	-	-	-	867 853
	(16 T.) (4.3 to 1 ratio all; 4.1 to 1 ratio B-1-B after serial No. 82089950, B-1-C after serial No. 83323320; 4.78 to 1 ratio B-1-B after serial No. 82088178, B-1-C after serial No. 83322860)	1	2	2	-	-	-	-	-	-	-	-	-	-	-	-	-	-	-	1137 209
	(16 T.)	2,3	2	2	-	-	-	-	-	-	-	-	-	-	-	-	-	-	-	*1137 209
	(16 T.) (use with 1092 041 differential case)	4	2	2	-	-	-	-	-	-	-	-	-	-	-	-	-	-	-	*1137 209
	(16 T.) (use with 1327 882 differential case)	4	2	2	-	-	-	-	-	-	-	-	-	-	-	-	-	-	-	1137 209
	(18 T.)	-	-	2	-	-	-	-	-	-	-	-	-	-	-	-	-	-	-	1392 339
	(16 T.) (Hypoid Axle)	-	-	-	2	2	2	2	2	2	-	-	-	-	-	-	-	-	-	1092 939
	Right (2 Speed Axle) (22 T.)	-	-	-	1	1	1	1	1	1	1	1	-	-	-	-	-	-	-	925 826
	Left (2 Speed Axle) (22 T.)	-	-	-	1	1	1	1	1	1	1	1	-	-	-	-	-	-	-	925 827
	(Hypoid Axle) (18 T.)	-	-	-	-	-	-	-	-	-	2	2	-	-	-	-	-	-	-	588 946
	Right (2 Speed Axle) (to replace gear that has number 25965 on end face of hub)	1	-	-	-	-	-	-	-	-	-	-	1	1	-	-	-	-	-	1089 986
	Left (2 Speed Axle) (to replace gear that has number 25964 on end face of hub)	1	-	-	-	-	-	-	-	-	-	-	1	1	-	-	-	-	-	1089 987
	Right (2 Speed Axle) (20 T.) (to replace gear that has number 31944 on end face of hub)	1	-	-	-	-	-	-	-	-	-	-	1	1	-	-	-	-	-	1264 230
	Left (2 Speed Axle) (20 T.) (to replace gear that has number 31943 on end face of hub)	1	-	-	-	-	-	-	-	-	-	-	1	1	-	-	-	-	-	1264 231
	Right (2 Speed Axle) (20 T.)	2,3,4	-	-	-	-	-	-	-	-	-	-	1	1	-	-	-	-	-	1264 230
	Left (2 Speed Axle) (20 T.)	2,3,4	-	-	-	-	-	-	-	-	-	-	1	1	-	-	-	-	-	1264 231
	(Hypoid Axle) (16 T.)	2,3,4	-	-	-	-	-	-	-	-	-	-	2	2	-	-	-	-	-	1191 715
	(H-100 and H-300 Series Axles) (see note 1) (16 T.)	2,3,4	-	-	-	-	-	-	-	-	-	-	-	-	-	2	-	-	-	1191 715
	(16 T.)	1	-	-	-	-	-	-	-	-	-	-	-	-	-	2	-	-	-	1191 715
	(H-120, H-320, L-100, L-200 and L-300 Series Axles) (see note 1) (16 T.)	2,3,4	-	-	-	-	-	-	-	-	-	-	-	-	-	2	2	-	-	1191 969
	(16 T.)	1	-	-	-	-	-	-	-	-	-	-	-	-	-	-	2	-	-	1191 969
	(16 T.)	1	-	-	-	-	-	-	-	-	-	-	-	-	-	-	-	2	-	1192 419
	(Q-100, Q-200 and Q-300 Series Axles) (see note 1) (16 T.)	2,3,4	-	-	-	-	-	-	-	-	-	-	-	-	-	-	-	2	2	1192 419
	(R-100, R-200 and R-300 Series Axles) (see note 1) (16 T.)	2,3,4	-	-	-	-	-	-	-	-	-	-	-	-	-	-	-	-	2	1267 703
3-06-6	WASHER, Thrust	-	2	2	-	-	-	-	-	-	-	-	-	-	-	-	-	-	-	632 587
	(Hypoid Axle)	-	-	2	-	-	-	-	-	-	-	-	-	-	-	-	-	-	-	922 422
	(2 Speed Axle)	-	-	-	2	2	2	2	2	2	2	2	-	-	-	-	-	-	-	1092 011
	(Hypoid Axle)	-	-	-	-	-	-	-	-	-	2	2	-	-	-	-	-	-	-	597 114
	(Hypoid Axle)	-	-	-	-	-	-	-	-	-	2	2	-	-	-	-	-	-	-	563 558

★Indicates use as required.

Prices and specifications subject to change without notice.

ⓔIndicates parts not listed in any previous parts books.

Series No. (1 indicates B-1 Series) (2 indicates B-2 Series) (3 indicates B-3 Series) (4 indicates B-4 Series)

Where no Series No. is shown part is for B-1, B-2, B-3 and B-4 Series.

Printed in U.S.A.

April 6, 1953 Supersedes Dec. 31, 1952.

Page 3-28

* Indicates change or addition.

CODE	PART NAME AND DESCRIPTION	SERIES NO.	MODEL CODES													PART NO.			
			B	C	D	F	G	H & HH	FM	GM	HM & HHM	J	JM	K	KM		R	T	V
DIFFERENTIAL SIDE GEAR - Cont'd																			
3-06-6	WASHER, Thrust (Hypoid Axle)	2, 3, 4	-	-	-	-	-	-	-	-	-	-	-	2	2	-	-	-	1191 716
	(2 Speed Axle)	1	-	-	-	-	-	-	-	-	-	-	-	2	2	-	-	-	922 613
	(H-100 and H-300 Series Axles) (see note 1)	2, 3, 4	-	-	-	-	-	-	-	-	-	-	-	-	-	2	-	-	1191 716
	(H-120, H-320, L-100, L-200 and L-300 Series Axles) (see note 1)	2, 3, 4	-	-	-	-	-	-	-	-	-	-	-	-	-	2	2	-	1191 970
		1	-	-	-	-	-	-	-	-	-	-	-	-	-	-	2	-	1191 970
		1	-	-	-	-	-	-	-	-	-	-	-	-	-	-	2	-	1192 420
	(Q-100, Q-200 and Q-300 Series Axles) (see note 1)	2, 3, 4	-	-	-	-	-	-	-	-	-	-	-	-	-	-	2	2	1192 420
	(R-100, R-200 and R-300 Series Axles) (see note 1)	-	-	-	-	-	-	-	-	-	-	-	-	-	-	-	-	2	1267 698
DIFFERENTIAL PINION																			
3-07-1	PINION (4.1 to 1 ratio - B-1-B up to serial No. 82089950, B-1-C up to serial No. 83323320; 4.78 to 1 ratio - B-1-B up to serial No. 82088178, B-1-C up to serial No. 83322860) (10 T.)	1	4	4	-	-	-	-	-	-	-	-	-	-	-	-	-	-	867 854
	(4.3 to 1 ratio all; 4.1 to 1 ratio - B-1-B after serial No. 82089950, B-1-C after serial No. 83323320; 4.78 to 1 ratio - B-1-B after serial No. 82088178, B-1-C after serial No. 83322860) (10 T.)	1	4	4	-	-	-	-	-	-	-	-	-	-	-	-	-	-	1137 208
	(10 T.)	2, 3	4	4	-	-	-	-	-	-	-	-	-	-	-	-	-	-	*1137 208
	(10 T.) (use with 1092 041 differential case)	4	4	4	-	-	-	-	-	-	-	-	-	-	-	-	-	-	*1137 208
	(11 T.) (use with 1327 882 differential case)	4	4	4	-	-	-	-	-	-	-	-	-	-	-	-	-	-	E1326 219
	(11 T.)	-	-	4	-	-	-	-	-	-	-	-	-	-	-	-	-	-	1392 340
	(Hypoid Axle) (10 T.)	-	-	-	2	2	2	2	2	2	-	-	-	-	-	-	-	-	1092 007
	(2 Speed Axle) (12 T.)	-	-	-	4	4	4	4	4	4	4	4	-	-	-	-	-	-	925 825
	(Hypoid Axle) (10 T.)	-	-	-	-	-	-	-	-	-	2	2	-	-	-	-	-	-	588 947
	(w/BUSHING) (Hypoid Axle) (9 T.)	2, 3, 4	-	-	-	-	-	-	-	-	-	-	4	4	-	-	-	-	1191 717
	(2 Speed Axle) (11 T.) (to replace pinion that has number 25963 on outer face of pinion) .	1	-	-	-	-	-	-	-	-	-	-	4	4	-	-	-	-	1089 988
	(2 Speed Axle) (11 T.) (to replace pinion that has number 31942 on outer face of pinion) .	-	-	-	-	-	-	-	-	-	-	-	4	4	-	-	-	-	1264 229
	(w/BUSHING) (9 T.)	1	-	-	-	-	-	-	-	-	-	-	-	4	-	-	-	-	1191 717
	(w/BUSHING) (9 T.) (H-100 and H-300 Series Axles) (see note 1)	2, 3, 4	-	-	-	-	-	-	-	-	-	-	-	-	4	-	-	-	1191 717
	(w/BUSHING) (9 T.) (H-120, H-320, L-100, L-200 and L-300 Series Axles) (see note 1)	2, 3, 4	-	-	-	-	-	-	-	-	-	-	-	-	4	4	-	-	1191 965

* Indicates use as required.

Prices and specifications subject to change without notice.

E Indicates parts not listed in any previous parts books.

Series No. (1 indicates B-1 Series) (2 indicates B-2 Series) (3 indicates B-3 Series) (4 indicates B-4 Series)

Where no Series No. is shown part is for B-1, B-2, B-3 and B-4 Series.

* Indicates change or addition.

CODE	PART NAME AND DESCRIPTION	SERIES NO.	MODEL CODES													PART NO.			
			B	C	D	F	G	H & HH	FM	GM	HM & HHM	J	JM	K	KM		R	T	V
DIFFERENTIAL PINION - Cont'd																			
3-07-1	PINION																		
	(w/BUSHING) (9 T.)	1	-	-	-	-	-	-	-	-	-	-	-	-	-	-	4	-	-
	(w/BUSHING) (9 T.)	1	-	-	-	-	-	-	-	-	-	-	-	-	-	-	-	4	-
	(w/BUSHING) (9 T.) (Q-100, Q-200 and Q-300 Series Axles) (see note 1)	2, 3, 4	-	-	-	-	-	-	-	-	-	-	-	-	-	-	-	4	4
	(w/BUSHING) (9 T.) (R-100, R-200 and R-300 Series Axles) (see note 1).	-	-	-	-	-	-	-	-	-	-	-	-	-	-	-	-	-	4
3-07-2	WASHER, Thrust		4	4	-	-	-	-	-	-	-	-	-	-	-	-	-	-	-
	(Hypoid Axle)	-	-	-	4	-	-	-	-	-	-	-	-	-	-	-	-	-	-
	(2 Speed Axle)	-	-	-	2	2	2	2	2	2	2	-	-	-	-	-	-	-	-
	(Hypoid Axle)	-	-	-	4	4	4	4	4	4	4	2	2	-	-	-	-	-	-
	(Hypoid Axle)	2, 3, 4	-	-	-	-	-	-	-	-	-	-	-	4	4	-	-	-	-
	(2 Speed Axle)	-	-	-	-	-	-	-	-	-	-	-	-	4	4	-	-	-	-
	(H-100 and H-300 Series Axles) (see note 1)	1	-	-	-	-	-	-	-	-	-	-	-	-	4	-	-	-	-
	(H-120, H-320, L-100, L-200 and L-300 Series Axles) (see note 1)	2, 3, 4	-	-	-	-	-	-	-	-	-	-	-	-	4	-	-	-	-
	(Q-100, Q-200 and Q-300 Series Axles) (see note 1)	2, 3, 4	-	-	-	-	-	-	-	-	-	-	-	-	4	4	-	-	-
	(R-100, R-200 and R-300 Series Axles) (see note 1)	1	-	-	-	-	-	-	-	-	-	-	-	-	-	4	-	-	-
3-07-3	BUSHING, Pinion																		
	(Hypoid Axle)	2	-	-	-	-	-	-	-	-	-	-	-	4	4	-	-	-	-
	(H-100 and H-300 Series Axles) (see note 1).	1	-	-	-	-	-	-	-	-	-	-	-	-	4	-	-	-	-
	(H-120, H-320, L-100, L-200 and L-300 Series Axles) (see note 1)	2, 3, 4	-	-	-	-	-	-	-	-	-	-	-	-	4	-	-	-	-
	(Q-100, Q-200 and Q-300 Series Axles) (see note 1)	2, 3, 4	-	-	-	-	-	-	-	-	-	-	-	-	4	4	-	-	-
	(R-100, R-200 and R-300 Series Axles) (see note 1)	1	-	-	-	-	-	-	-	-	-	-	-	-	-	4	-	-	-
	(Q-100, Q-200 and Q-300 Series Axles) (see note 1)	2, 3, 4	-	-	-	-	-	-	-	-	-	-	-	-	-	-	4	4	-
	(R-100, R-200 and R-300 Series Axles) (see note 1)	2, 3, 4	-	-	-	-	-	-	-	-	-	-	-	-	-	-	-	4	-
DIFFERENTIAL PINION SHAFT																			
3-08-1	SHAFT (long)		1	1	-	-	-	-	-	-	-	-	-	-	-	-	-	-	-
	(short)	-	2	2	-	-	-	-	-	-	-	-	-	-	-	-	-	-	-
	(long)	-	-	-	1	-	-	-	-	-	-	-	-	-	-	-	-	-	-
	(short)	-	-	-	2	-	-	-	-	-	-	-	-	-	-	-	-	-	-
	(Hypoid Axle) (use with 5/16" lock pin)	1	-	-	-	1	-	1	1	-	1	-	-	-	-	-	-	-	-
	(Hypoid Axle) (use with 7/16" lock pin)	-	-	-	-	1	1	1	-	1	1	-	-	-	-	-	-	-	-
	(Hypoid Axle) (use with 5/16" lock pin)	1	-	-	-	-	-	-	-	-	1	1	-	-	-	-	-	-	-
	(Hypoid Axle) (use with 7/16" lock pin)	-	-	-	-	-	-	-	-	-	1	1	-	-	-	-	-	-	-
	Pin, dowel (1/4" x 1 7/8")	-	3	3	-	-	-	-	-	-	-	-	-	-	-	-	-	-	* 141 208
	(1/4" x 2 1/4")	4	3	3	-	-	-	-	-	-	-	-	-	-	-	-	-	-	* 141 210

★ Indicates use as required.

Prices and specifications subject to change without notice.

⊠ Indicates parts not listed in any previous parts books.

Series No. (1 indicates B-1 Series) (2 indicates B-2 Series) (3 indicates B-3 Series) (4 indicates B-4 Series)

Where no Series No. is shown part is for B-1, B-2, B-3 and B-4 Series.

CODE	PART NAME AND DESCRIPTION	SERIES NO.	MODEL CODES													PART NO.			
			B	C	D	F	G	H & HH	FM	GM	HM & HHM	J	JM	K	KM		R	T	V
DIFFERENTIAL PINION SHAFT - Cont'd																			
3-08-1	SHAFT	-																	
	Pin, dowel	-			3														
	Pin, dowel (5/16 O.D.)	1				1		1	1		1	1	1						
	Pin, dowel (7/16" O.D.)	-				1	1	1	1	1	1	1	1						
3-08-4	SHAFT, Spiral Pinion	-																	
	(2 Speed Axle)	1													1				
	(2 Speed Axle) (H-300 Series Axle) (see note 1)	2, 3, 4													1				
	(2 Speed Axle) (H-320 and L-300 Series Axles) (see note 1)	2, 3, 4													1	1			
	(2 Speed Axle)	1														1			
3-08-4	SHAFT, Spiral Pinion	-																	
	(2 Speed Axle)	1															1		
	(2 Speed Axle) (Q-300 Series Axle) (see note 1)	2, 3, 4															1	1	
	(2 Speed Axle) (R-300 Series Axle) (see note 1)	2, 3, 4																1	
3-08-7	COLLAR, Spiral Pinion Shaft	-																	
	(2 Speed Axle)	1													1				
	(2 Speed Axle) (H-300 Series Axle) (see note 1)	2, 3, 4													1				
	(2 Speed Axle) (H-320 and L-300 Series Axle) (see note 1)	2, 3, 4													1	1			
	(2 Speed Axle)	1														1			
	(2 Speed Axle)	1															1		
	(2 Speed Axle) (Q-300 Series Axle) (see note 1)	2, 3, 4															1	1	
	(2 Speed Axle) (R-300 Series Axle) (see note 1)	-																1	
3-08-8	PLUNGER, Spiral Pinion Shaft	-																	
	Collar Lock (2 Speed Axle)	-													3	3	3	3	
3-08-9	SPRING, Spiral Pinion Shaft	-																	
	Collar Lock Plunger (2 Speed Axle)	-													3	3	3	3	
DIFFERENTIAL SPIDER																			
3-10-1	SPIDER (2 Speed Axle)	-				1	1	1	1	1	1	1	1						
	(2 Speed Axle)	-												1	1				
	(Hypoid Axle)	2, 3, 4												1	1				
	(H-100 and H-300 Series Axle) (see note 1)	2, 3, 4													1				
	(H-120, H-320, L-100, L-200 and L-300 Series Axles) (see note 1)	2, 3, 4													1	1			
	(Q-100, Q-200 and Q-300 Series Axles) (see note 1)	2, 3, 4															1	1	
	(R-100, R-200 and R-300 Series Axles) (see note 1)	-																1	

★ Indicates use as required.

□ Indicates parts not listed in any previous parts books.

Series No. (1 indicates B-1 Series) (2 indicates B-2 Series) (3 indicates B-3 Series) (4 indicates B-4 Series)

Where no Series No. is shown part is for B-1, B-2, B-3 and B-4 Series.

* Indicates change or addition.

Prices and specifications subject to change without notice.

CODE	PART NAME AND DESCRIPTION	SERIES NO.	MODEL CODES													PART NO.				
			B	C	D	F	G	H & HH	FM	GM	HM & HHM	J	JM	K	KM		R	T	V	Y
DIFFERENTIAL BEARING																				
3-11-1	CONE and ROLLERS	-	2	2	-	-	-	-	-	-	-	-	-	-	-	-	-	-	-	698 404
	(Hypoid Axle)	-	-	2	-	-	-	-	-	-	-	-	-	-	-	-	-	-	-	855 101
	(right) (2 Speed Axle)	-	-	-	2	2	2	2	2	2	2	2	2	-	-	-	-	-	-	587 530
	(left) (2 Speed Axle)	-	-	-	1	1	1	1	1	1	1	1	1	-	-	-	-	-	-	1264 090
	(Hypoid Axle)	-	-	-	1	1	1	1	1	1	1	1	1	-	-	-	-	-	-	1264 091
	(Hypoid Axle)	-	-	-	-	-	-	-	-	-	2	2	-	-	-	-	-	-	-	563 567
	(Hypoid Axle)	2, 3, 4	-	-	-	-	-	-	-	-	-	-	2	2	-	-	-	-	-	571 823
	(right) (2 Speed Axle)	-	-	-	-	-	-	-	-	-	-	-	1	1	-	-	-	-	-	1264 084
	(left) (2 Speed Axle)	-	-	-	-	-	-	-	-	-	-	-	1	1	-	-	-	-	-	1264 085
	(left) (2 Speed Axle)	1	-	-	-	-	-	-	-	-	-	-	-	-	2	-	-	-	-	571 823
	(H-100 and H-300 Series Axles) (see note 1)	2, 3, 4	-	-	-	-	-	-	-	-	-	-	-	-	2	-	-	-	-	571 823
	(H-120, H-320, L-100, L-200 and L-300 Series Axles) (see note 1)	2, 3, 4	-	-	-	-	-	-	-	-	-	-	-	-	2	2	-	-	-	1191 987
		1	-	-	-	-	-	-	-	-	-	-	-	-	-	-	2	-	-	1191 987
		1	-	-	-	-	-	-	-	-	-	-	-	-	-	-	2	-	-	1192 424
	(Q-100, Q-200 and Q-300 Series Axles) (see note 1)	2, 3, 4	-	-	-	-	-	-	-	-	-	-	-	-	-	-	2	2	-	1192 424
	(Hypoid Axle) (R-100 Series Axle) (see note 1)	-	-	-	-	-	-	-	-	-	-	-	-	-	-	-	-	-	2	1267 697
	(Double Reduction and 2 Speed Axle) (R-200 and R-300 Series Axles) (see note 1)	-	-	-	-	-	-	-	-	-	-	-	-	-	-	-	-	-	2	1192 424
3-11-2	CUP	-	2	2	-	-	-	-	-	-	-	-	-	-	-	-	-	-	-	698 403
	(Hypoid Axle)	-	-	2	-	-	-	-	-	-	-	-	-	-	-	-	-	-	-	691 241
	(right) (2 Speed Axle)	-	-	-	2	2	2	2	2	2	2	2	2	-	-	-	-	-	-	587 531
	(left) (2 Speed Axle)	-	-	-	1	1	1	1	1	1	1	1	1	-	-	-	-	-	-	1264 092
	(Hypoid Axle)	-	-	-	1	1	1	1	1	1	1	1	1	-	-	-	-	-	-	1264 086
	(right) (2 Speed Axle)	-	-	-	-	-	-	-	-	-	2	2	-	-	-	-	-	-	-	563 568
	(left) (2 Speed Axle)	-	-	-	-	-	-	-	-	-	-	-	1	1	-	-	-	-	-	1264 086
	(Hypoid Axle)	2, 3, 4	-	-	-	-	-	-	-	-	-	-	1	1	-	-	-	-	-	1264 088
	(Hypoid Axle)	1	-	-	-	-	-	-	-	-	-	-	2	2	-	-	-	-	-	598 576
	(H-100 and H-300 Series Axles) (see note 1)	2, 3, 4	-	-	-	-	-	-	-	-	-	-	-	-	2	-	-	-	-	598 576
	(H-120, H-320, L-100, L-200 and L-300 Series Axles) (see note 1)	2, 3, 4	-	-	-	-	-	-	-	-	-	-	-	-	2	2	-	-	-	1264 086
		1	-	-	-	-	-	-	-	-	-	-	-	-	-	-	2	-	-	1264 086
		1	-	-	-	-	-	-	-	-	-	-	-	-	-	-	2	-	-	1192 423
	(Q-100, Q-200 and Q-300 Series Axles) (see note 1)	2, 3, 4	-	-	-	-	-	-	-	-	-	-	-	-	-	-	2	2	-	1192 423
	(Hypoid Axle) (R-100 Series Axle) (see note 1)	-	-	-	-	-	-	-	-	-	-	-	-	-	-	-	-	-	2	1267 696
	(Double Reduction and 2 Speed Axles) (R-200 and R-300 Series Axles) (see note 1)	-	-	-	-	-	-	-	-	-	-	-	-	-	-	-	-	-	2	1192 423
3-11-13	ADJUSTER	-	2	2	-	-	-	-	-	-	-	-	-	-	-	-	-	-	-	601 864
	(Hypoid Axle)	-	-	2	-	-	-	-	-	-	-	-	-	-	-	-	-	-	-	856 852
	(right) (2 Speed Axle)	-	-	-	2	2	2	2	2	2	2	2	2	-	-	-	-	-	-	595 987
	(left) (2 Speed Axle)	-	-	-	1	1	1	1	1	1	1	1	1	-	-	-	-	-	-	579 002
	(Hypoid Axle)	-	-	-	1	1	1	1	1	1	1	1	1	-	-	-	-	-	-	597 139
	(right) (2 Speed Axle)	-	-	-	-	-	-	-	-	-	2	2	-	-	-	-	-	-	-	563 628
	(left) (2 Speed Axle)	-	-	-	-	-	-	-	-	-	-	-	1	1	-	-	-	-	-	921 573
	NUT, Adjusting (Hypoid Axle)	1	-	-	-	-	-	-	-	-	-	-	2	2	-	-	-	-	-	1191 726
		-	-	-	-	-	-	-	-	-	-	-	-	-	2	-	-	-	-	1191 726

★Indicates use as required.

□Indicates parts not listed in any previous parts books.

Series No. (1 indicates B-1 Series) (2 indicates B-2 Series) (3 indicates B-3 Series) (4 indicates B-4 Series)

Where no Series No. is shown part is for B-1, B-2, B-3 and B-4 Series.

April 6, 1953 Supersedes Dec. 31, 1952.

Prices and specifications subject to change without notice.

Printed in U.S.A.

* Indicates change or addition.

CODE	PART NAME AND DESCRIPTION	SERIES NO.	MODEL CODES													PART NO.				
			B	C	D	F	G	H & HH	FM	GM	HM & HHM	J	JM	K	KM		R	T	V	Y
DIFFERENTIAL BEARING - Cont'd																				
3-11-13	ADJUSTER (H-100 and H-300 Series Axles) (see note 1)	2, 3, 4	-	-	-	-	-	-	-	-	-	-	-	-	-	2	-	-	-	1191 726
	(H-120, H-320, L-100, L-200 and L-300 Series Axles) (see note 1)	2, 3, 4	-	-	-	-	-	-	-	-	-	-	-	-	-	2	2	-	-	1191 973
		1	-	-	-	-	-	-	-	-	-	-	-	-	-	-	2	-	-	1191 973
		1	-	-	-	-	-	-	-	-	-	-	-	-	-	-	-	2	-	1192 730
	(Q-100, Q-200 and Q-300 Series Axles) (see note 1)	2, 3, 4	-	-	-	-	-	-	-	-	-	-	-	-	-	-	-	2	2	1192 730
	(Hypoid Axle) (R-100 Series Axle) (see note 1)	-	-	-	-	-	-	-	-	-	-	-	-	-	-	-	-	-	2	1267 704
	(Double Reduction and 2 Speed Axles) (see note 1)	-	-	-	-	-	-	-	-	-	-	-	-	-	-	-	-	-	2	1192 730

NOTES

★ Indicates use as required. Prices and specifications subject to change without notice.
 ☐ Indicates parts not listed in any previous parts books.
 Series No. (1 indicates B-1 Series) (2 indicates B-2 Series) (3 indicates B-3 Series) (4 indicates B-4 Series)
 Where no Series No. is shown part is for B-1, B-2, B-3 and B-4 Series.
 * Indicates change or addition. Printed in U.S.A.
Page 3-32A April 6, 1953 Supersedes Dec. 31, 1952.

CODE	PART NAME AND DESCRIPTION	SERIES NO.	MODEL CODES													PART NO.			
			B	C	D	F	G	H & HH	FM	GM	HM & HHM	J	JM	K	KM		R	T	V
DIFFERENTIAL BEARING - Cont'd																			
3-11-14	LOCK, Adjuster	-	2	2	-	-	-	-	-	-	-	-	-	-	-	-	-	-	308 247
	(right) (2 Speed Axle)	-	-	2	-	-	-	-	-	-	-	-	-	-	-	-	-	-	856 226
	(left) (2 Speed Axle)	-	-	-	1	1	1	1	1	1	1	1	-	-	-	-	-	-	579 004
	(right) (2 Speed Axle)	-	-	-	1	1	1	1	1	1	1	1	-	-	-	-	-	-	579 003
	(left) (2 Speed Axle)	-	-	-	-	-	-	-	-	-	-	-	1	1	-	-	-	-	586 095
	Nut (Hypoid Axle)	2, 3, 4	-	-	-	-	-	-	-	-	-	-	2	2	-	-	-	-	922 243
	Bolt, 5/16" -18 x 5/8"	-	2	2	2	-	-	-	-	-	-	-	-	-	2	2	2	2	1191 727
	Washer, lock	-	2	2	2	-	-	-	-	-	-	-	-	-	-	-	-	-	120 228
	Pin, cotter	-	-	-	1	1	1	1	1	1	1	1	1	1	-	-	-	-	137 254
	PIN, Adjuster Lock (Hypoid Axle).	-	-	-	2	2	2	2	2	2	2	2	-	-	-	-	-	-	587 533
	Pin, cotter	-	-	-	2	2	2	2	2	2	2	-	-	-	-	-	-	-	103 390
3-11-16	LOCKWIRE, Adjuster Lock Screw																		
	(left) (2 Speed Axle)	-	-	-	1	1	1	1	1	1	1	-	-	-	-	-	-	-	586 050
	(left) (2 Speed Axle)	-	-	-	-	-	-	-	-	-	-	1	1	-	-	-	-	-	579 059
	Adjusting Nut Lock Screw																		
	(Hypoid Axle)	2, 3, 4	-	-	-	-	-	-	-	-	-	2	2	-	-	-	-	-	586 050
3-11-17	SCREW, Adjuster Lock																		
	(left) (2 Speed Axle)	-	-	-	2	2	2	2	2	2	2	2	2	2	-	-	-	-	579 039
	Adjusting Nut Lock (Hypoid Axle)	2, 3, 4	-	-	-	-	-	-	-	-	-	4	4	-	-	-	-	-	922 616
		-	-	-	-	-	-	-	-	-	-	-	-	2	2	2	2	-	922 616
DIFFERENTIAL SPIRAL PINION																			
3-12-1	PINION																		
	(Double Reduction Axle) (12T) . .	1	-	-	-	-	-	-	-	-	-	-	-	-	1	-	-	-	1192 124
	(Double Reduction Axle) (13T.) . .	-	-	-	-	-	-	-	-	-	-	-	-	-	-	1	-	-	1192 225
	(Double Reduction Axle) (14T.) . .	1	-	-	-	-	-	-	-	-	-	-	-	-	-	-	1	-	1192 734
	(Double Reduction Axle) (Q-200																		
	Series Axle) (see note 1) (14T.)	2, 3, 4	-	-	-	-	-	-	-	-	-	-	-	-	-	-	1	1	1192 734
	(Double Reduction Axle) (R-200																		
	Series Axle) (see note 1) (13T.)	2, 3, 4	-	-	-	-	-	-	-	-	-	-	-	-	-	-	-	1	1268 055
3-12-2	PINION, Low Speed (2 Speed Axle)																		
	(12 and 15T.)	1	-	-	-	-	-	-	-	-	-	-	-	1	-	-	-	-	1190 701
	(2 Speed Axle) (H-300 Series																		
	Axle) (see note 1) (12 and 15T.) .	2, 3, 4	-	-	-	-	-	-	-	-	-	-	-	1	-	-	-	-	1190 701
	(2 Speed Axle) (H-320 and L-300																		
	Series Axles) (see note 1)																		
	(13 and 16T.)	2, 3, 4	-	-	-	-	-	-	-	-	-	-	-	1	1	-	-	-	1192 304
	(2 Speed Axle) (13 and 16T.) . . .	1	-	-	-	-	-	-	-	-	-	-	-	-	1	-	-	-	1192 304
	(2 Speed Axle) (14 and 18T.) . . .	1	-	-	-	-	-	-	-	-	-	-	-	-	-	1	-	-	1192 849
	(2 Speed Axle) (Q-300 Series Axle)																		
	(see note 1) (14 and 18T.)	2, 3, 4	-	-	-	-	-	-	-	-	-	-	-	-	-	1	1	-	1192 849
	(2 Speed Axle) (R-300 Series Axle)																		
	(see note 1) (14 and 18T.)	-	-	-	-	-	-	-	-	-	-	-	-	-	-	-	-	1	1268 577
3-12-3	PINION, High Speed																		
	(2 Speed Axle) (15 and 15T.) . . .	1	-	-	-	-	-	-	-	-	-	-	-	1	-	-	-	-	1190 702
	(2 Speed Axle) (H-300 Series Axle)																		
	(see note 1) (15 and 15T.)	2, 3, 4	-	-	-	-	-	-	-	-	-	-	-	1	-	-	-	-	1190 702
	(6.64-9.18 to 1 ratio)																		
	(2 Speed Axle) (H-320 and L-300																		
	Series Axles) (see note 1)																		
	(16 and 16 T.)	2, 3, 4	-	-	-	-	-	-	-	-	-	-	-	1	1	-	-	-	1265 197
	(6.32-8.22 to 1 ratio) (2 Speed																		
	Axle) (16 and 16T.)	-	-	-	-	-	-	-	-	-	-	-	-	-	1	-	-	-	1192 303
	(6.64-9.18 to 1 ratio) (2 Speed																		
	Axle)	1	-	-	-	-	-	-	-	-	-	-	-	-	1	-	-	-	1265 197

★Indicates use as required.

Prices and specifications subject to change without notice.

☐Indicates parts not listed in any previous parts books.

Series No. (1 indicates B-1 Series) (2 indicates B-2 Series) (3 indicates B-3 Series) (4 indicates B-4 Series)

Where no Series No. is shown part is for B-1, B-2, B-3 and B-4 Series.

CODE	PART NAME AND DESCRIPTION	SERIES NO.	MODEL CODES													PART NO.			
			B	C	D	F	G	H & HH	FM	GM	HM & HHM	J	JM	K	KM		R	T	V
DIFFERENTIAL SPIRAL PINION - Cont'd																			
3-12-3	PINION, High Speed (7.12-9.55 to 1 ratio) (2 Speed Axle) (17 and 18T.)	-	-	-	-	-	-	-	-	-	-	-	-	-	-	-	1	-	1265 198
	(6.53-8.53 to 1 ratio) (2 Speed Axle)	1	-	-	-	-	-	-	-	-	-	-	-	-	-	-	1	-	1192 848
	(6.53-8.53 to 1 ratio and 6.4-8.3 to 1 ratio) (2 Speed Axle) (Q-300 Series Axle) (see note 1) (17 and 18T.)	2,3,4	-	-	-	-	-	-	-	-	-	-	-	-	-	-	1	1	1192 848
	(2 Speed Axle) (R-300 Series Axle) (see note 1) (17 and 18T.)	-	-	-	-	-	-	-	-	-	-	-	-	-	-	-	-	1	1268 576
DIFFERENTIAL SPIRAL PINION OR SHAFT BEARING																			
3-13-1	CUP (Double Reduction and 2 Speed Axles)	-	-	-	-	-	-	-	-	-	-	-	-	-	2	2	-	-	1192 127
	(Double Reduction and 2 Speed Axles)	1	-	-	-	-	-	-	-	-	-	-	-	-	-	-	2	-	1192 736
	(Double Reduction and 2 Speed Axles) (Q-200 and Q-300 Series Axles) (see note 1)	2,3,4	-	-	-	-	-	-	-	-	-	-	-	-	-	-	2	2	1192 736
	(Double Reduction and 2 Speed Axle) (R-200 and R-300 Series Axles) (see note 1)	-	-	-	-	-	-	-	-	-	-	-	-	-	-	-	-	2	1268 058
3-13-2	CONE and ROLLERS (right) (Double Reduction and 2 Speed Axles)	1	-	-	-	-	-	-	-	-	-	-	-	-	1	-	-	-	1192 129
	(left) (Double Reduction and 2 Speed Axles)	1	-	-	-	-	-	-	-	-	-	-	-	-	1	-	-	-	1192 126
	(right) (2 Speed Axle) (H-300 Series Axle) (see note 1)	2,3,4	-	-	-	-	-	-	-	-	-	-	-	-	1	-	-	-	1192 129
	(left) (2 Speed Axle) (H-300 Series Axle) (see note 1)	2,3,4	-	-	-	-	-	-	-	-	-	-	-	-	1	-	-	-	1192 126
	(Double Reduction and 2 Speed Axles) (H-320, L-200 and L-300 Series Axles) (see note 1)	2,3,4	-	-	-	-	-	-	-	-	-	-	-	-	2	2	-	-	1192 129
	(Double Reduction and 2 Speed Axles) (Q-200 and Q-300 Series Axles) (see note 1)	-	-	-	-	-	-	-	-	-	-	-	-	-	-	-	2	2	1192 735
	(Double Reduction and 2 Speed Axles)	1	-	-	-	-	-	-	-	-	-	-	-	-	-	-	2	-	1192 735
	(Double Reduction and 2 Speed Axles) (R-200 and R-300 Series Axles) (see note 1)	-	-	-	-	-	-	-	-	-	-	-	-	-	-	-	-	2	1268 057
3-13-6	WASHER (Double Reduction and 2 Speed Axles)	-	-	-	-	-	-	-	-	-	-	-	-	-	2	2	-	-	566 587
	(Double Reduction and 2 Speed Axles)	-	-	-	-	-	-	-	-	-	-	-	-	-	-	-	2	2	1192 738
3-13-7	SHIM, Retainer (.003) (Double Reduction and 2 Speed Axles)	1	-	-	-	-	-	-	-	-	-	-	-	-	★	-	-	-	1192 133
	(.005) (Double Reduction and 2 Speed Axles)	1	-	-	-	-	-	-	-	-	-	-	-	-	★	-	-	-	1192 134
	(.030) (Double Reduction and 2 Speed Axles)	1	-	-	-	-	-	-	-	-	-	-	-	-	★	-	-	-	1192 135
	(.003) (2 Speed Axle) (H-300 Series Axle) (see note 1)	2,3,4	-	-	-	-	-	-	-	-	-	-	-	-	★	-	-	-	1192 133

★ Indicates use as required.

Prices and specifications subject to change without notice.

☐ Indicates parts not listed in any previous parts books.

Series No. (1 indicates B-1 Series) (2 indicates B-2 Series) (3 indicates B-3 Series) (4 indicates B-4 Series)

Where no Series No. is shown part is for B-1, B-2, B-3 and B-4 Series.

Printed in U.S.A.

CODE	PART NAME AND DESCRIPTION	SERIES NO.	MODEL CODES													PART NO.			
			B	C	D	F	G	H & HH	FM	GM	HM & HHM	J	JM	K	KM		R	T	V
DIFFERENTIAL SPIRAL PINION OR SHAFT BEARING - Cont'd																			
3-13-7	SHIM, Retainer																		
	(.005) (2 Speed Axle) (H-300 Series Axle) (see note 1)	2,3,4	-	-	-	-	-	-	-	-	-	-	-	-	-	-	-	-	1192 134
	(.030) (2 Speed Axle) (H-300 Series Axle) (see note 1)	2,3,4	-	-	-	-	-	-	-	-	-	-	-	-	-	-	-	-	1192 135
	(.003) (Double Reduction and 2 Speed Axles) (H-320, L-200 and L-300 Series Axles) (see note 1)	2,3,4	-	-	-	-	-	-	-	-	-	-	-	-	*	*	-	-	1192 215
	(.005) (Double Reduction and 2 Speed Axles) (H-320, L-200 and L-300 Series Axles) (see note 1)	2,3,4	-	-	-	-	-	-	-	-	-	-	-	-	*	*	-	-	1192 216
	(.030) (Double Reduction and 2 Speed Axles) (H-320, L-200 and L-300 Series Axles) (see note 1)	2,3,4	-	-	-	-	-	-	-	-	-	-	-	-	*	*	-	-	1192 217
	(.003) (Double Reduction and 2 Speed Axles)	1	-	-	-	-	-	-	-	-	-	-	-	-	-	*	-	-	1192 215
	(.005) (Double Reduction and 2 Speed Axles)	1	-	-	-	-	-	-	-	-	-	-	-	-	-	*	-	-	1192 216
	(.030) (Double Reduction and 2 Speed Axles)	1	-	-	-	-	-	-	-	-	-	-	-	-	-	*	-	-	1192 217
	(.003) (Double Reduction and 2 Speed Axles)	1	-	-	-	-	-	-	-	-	-	-	-	-	-	-	*	-	1192 750
	(.005) (Double Reduction and 2 Speed Axles)	1	-	-	-	-	-	-	-	-	-	-	-	-	-	-	*	-	1192 751
	(.030) (Double Reduction and 2 Speed Axles)	1	-	-	-	-	-	-	-	-	-	-	-	-	-	-	*	-	1192 752
	(.003) (Double Reduction and 2 Speed Axles) (Q-200 and Q-300 Series Axles) (see note 1)	2,3,4	-	-	-	-	-	-	-	-	-	-	-	-	-	-	*	*	1192 750
	(.005) (Double Reduction and 2 Speed Axles) (Q-200 and Q-300 Series Axles) (see note 1)	2,3,4	-	-	-	-	-	-	-	-	-	-	-	-	-	-	*	*	1192 751
	(.030) (Double Reduction and 2 Speed Axles) (Q-200 and Q-300 Series Axles) (see note 1)	2,3,4	-	-	-	-	-	-	-	-	-	-	-	-	-	-	*	*	1192 752
3-13-8	RETAINER																		
	(Double Reduction and 2 Speed Axles)	1	-	-	-	-	-	-	-	-	-	-	-	-	-	1	-	-	1192 132
	(Double Reduction and 2 Speed Axles)	1	-	-	-	-	-	-	-	-	-	-	-	-	-	-	1	-	1192 213
	Bolt, 1/2" -13 x 1 1/4" (for trucks using studs see Part Type Code 3-13-13)	1	-	-	-	-	-	-	-	-	-	-	-	-	-	6	6	-	120 426
	(w/BAFFLE) (2 Speed Axle) (H-300 Series Axle) (see note 1)	2,3,4	-	-	-	-	-	-	-	-	-	-	-	-	-	1	-	-	1263 862
	(Double Reduction and 2 Speed Axles) (H-320, L-200 and L-300 Series Axles) (see note 1)	2,3,4	-	-	-	-	-	-	-	-	-	-	-	-	-	1	1	-	1192 213
	(Double Reduction and 2 Speed Axles)	1	-	-	-	-	-	-	-	-	-	-	-	-	-	-	-	1	1192 747
	Bolt, 9/16" -12 x 1 3/4" (for trucks using studs see Part Type Code 3-13-13)	1	-	-	-	-	-	-	-	-	-	-	-	-	-	-	6	-	120 896

★ Indicates use as required.

⊠ Indicates parts not listed in any previous parts books.

Series No. (1 indicates B-1 Series) (2 indicates B-2 Series) (3 indicates B-3 Series) (4 indicates B-4 Series)

Where no Series No. is shown part is for B-1, B-2, B-3 and B-4 Series.

Prices and specifications subject to change without notice.

CODE	PART NAME AND DESCRIPTION	SERIES NO.	MODEL CODES													PART NO.			
			B	C	D	F	G	H & HH	FM	GM	HM & HHM	J	JM	K	KM		R	T	V
DIFFERENTIAL SPIRAL PINION OR SHAFT BEARING - Cont'd																			
3-13-8	RETAINER (Double Reduction and 2 Speed Axles) (Q-200 and Q-300 Series Axles) (see note 1)	2, 3, 4	-	-	-	-	-	-	-	-	-	-	-	-	-	-	1	1	1192 747
3-13-9	GASKET, Retainer (Double Reduction and 2 Speed Axles)	1	-	-	-	-	-	-	-	-	-	-	-	-	1	-	-	-	1192 136
	(Double Reduction and 2 Speed Axles)	1	-	-	-	-	-	-	-	-	-	-	-	-	-	1	-	-	1192 214
	(Double Reduction and 2 Speed Axles)	1	-	-	-	-	-	-	-	-	-	-	-	-	-	-	1	-	1192 749
3-13-11	SCREW, Washer (Double Reduction and 2 Speed Axles)	-	-	-	-	-	-	-	-	-	-	-	-	-	4	4	-	-	1192 131
	(Double Reduction and 2 Speed Axles)	-	-	-	-	-	-	-	-	-	-	-	-	-	-	-	4	4	1192 739
3-13-13	SCREW, Retainer (2 Speed Axle) (H-300 Series Axle) (see note 1)	2, 3, 4	-	-	-	-	-	-	-	-	-	-	-	-	6	-	-	-	1268 706
	(Double Reduction and 2 Speed Axles) (H-320, L-200 and L-300 Series Axles) (see note 1)	2, 3, 4	-	-	-	-	-	-	-	-	-	-	-	-	6	6	-	-	1264 686
	Washer, lock	2, 3, 4	-	-	-	-	-	-	-	-	-	-	-	-	6	6	-	-	120 384
	(Double Reduction and 2 Speed Axles) (Q-200 and Q-300 Series Axles) (see note 1)	2, 3, 4	-	-	-	-	-	-	-	-	-	-	-	-	-	-	6	6	1264 704
	Washer, lock	-	-	-	-	-	-	-	-	-	-	-	-	-	-	-	6	6	120 898
	STUD, Retainer (Double Reduction and 2 Speed Axles) (for trucks using bolts see Part Type Code 3-13-8)	1	-	-	-	-	-	-	-	-	-	-	-	-	6	6	-	-	1090 731
	Nut	1	-	-	-	-	-	-	-	-	-	-	-	-	6	6	-	-	120 371
	Washer, lock	1	-	-	-	-	-	-	-	-	-	-	-	-	6	6	-	-	120 384
	(Double Reduction and 2 Speed Axles)	1	-	-	-	-	-	-	-	-	-	-	-	-	-	-	6	-	1192 748
	Nut	1	-	-	-	-	-	-	-	-	-	-	-	-	-	-	6	-	124 634
	Washer, lock	1	-	-	-	-	-	-	-	-	-	-	-	-	-	-	6	-	120 898
3-13-14	LOCKWIRE, Washer Screw (Double Reduction and 2 Speed Axles)	-	-	-	-	-	-	-	-	-	-	-	-	-	2	2	2	2	586 050
DIFFERENTIAL SPIRAL PINION OR SHAFT BEARING CAGE																			
3-14-1	CAGE (w/CUPS) (Double Reduction and 2 Speed Axles)	1	-	-	-	-	-	-	-	-	-	-	-	-	1	-	-	-	1192 123
	Bolt, 1/2" -13 x 1 1/2" (for trucks using studs see Part Type Code 3-14-7)	1	-	-	-	-	-	-	-	-	-	-	-	-	6	-	-	-	122 433
	(w/CUPS) (2 Speed Axle) (H-300 Series Axle) (see note 1)	2, 3, 4	-	-	-	-	-	-	-	-	-	-	-	-	1	-	-	-	1192 123
	(w/CUPS) (Double Reduction and 2 Speed Axles)	1	-	-	-	-	-	-	-	-	-	-	-	-	-	-	1	-	1192 206
	Bolt, 9/16" -12 x 1 1/2" (for trucks using studs see Part Type Code 3-14-7)	1	-	-	-	-	-	-	-	-	-	-	-	-	-	-	6	-	122 577

★ Indicates use as required.
 □ Indicates parts not listed in any previous parts books.
 Series No. (1 indicates B-1 Series) (2 indicates B-2 Series) (3 indicates B-3 Series) (4 indicates B-4 Series)
 Where no Series No. is shown part is for B-1, B-2, B-3 and B-4 Series.
 December 31, 1952

Prices and specifications subject to change without notice.
 Printed in U.S.A.

CODE	PART NAME AND DESCRIPTION	SERIES NO.	MODEL CODES													PART NO.				
			B	C	D	F	G	H & HH	FM	GM	HM & HHM	J	JM	K	KM		R	T	V	Y
DIFFERENTIAL SPIRAL PINION OR SHAFT BEARING CAGE - Cont'd																				
3-14-1	CAGE (w/CUPS) (Double Reduction and 2 Speed Axles) (H-320, L-200 and L-300 Series Axles) (see note 1)	2, 3, 4	-	-	-	-	-	-	-	-	-	-	-	-	-	1	1	-	-	1192 206
	(w/CUPS) (Double Reduction and 2 Speed Axles)	1	-	-	-	-	-	-	-	-	-	-	-	-	-	-	-	1	-	1192 740
	Bolt, 9/16" -12 x 2" (for trucks using studs use Part Type Code 3-14-7)	1	-	-	-	-	-	-	-	-	-	-	-	-	-	-	-	6	-	122 604
	(w/CUPS) (Double Reduction and 2 Speed Axles) (Q-200 and Q-300 Series Axles) (see note 1)	2, 3, 4	-	-	-	-	-	-	-	-	-	-	-	-	-	-	-	1	1	1192 740
	(right) (Double Reduction and 2 Speed Axles) (R-200 and R-300 Series Axles) (see note 1)	-	-	-	-	-	-	-	-	-	-	-	-	-	-	-	-	-	1	1268 065
	(left) (Double Reduction and 2 Speed Axles) (R-200 and R-300 Series Axles) (see note 1)	-	-	-	-	-	-	-	-	-	-	-	-	-	-	-	-	-	1	1268 059
3-14-2	SHIM (.003) (Double Reduction and 2 Speed Axles)	1	-	-	-	-	-	-	-	-	-	-	-	-	-	-	-	★	-	1192 138
	(.005) (Double Reduction and 2 Speed Axles)	1	-	-	-	-	-	-	-	-	-	-	-	-	-	-	-	★	-	1192 139
	(.030) (Double Reduction and 2 Speed Axles)	1	-	-	-	-	-	-	-	-	-	-	-	-	-	-	-	★	-	1192 141
	(.003) (2 Speed Axle) (H-300 Series Axle) (see note 1)	2, 3, 4	-	-	-	-	-	-	-	-	-	-	-	-	-	-	-	★	-	1192 138
	(.005) (2 Speed Axle) (H-300 Series Axle) (see note 1)	2, 3, 4	-	-	-	-	-	-	-	-	-	-	-	-	-	-	-	★	-	1192 139
	(.030) (2 Speed Axle) (H-300 Series Axle) (see note 1)	2, 3, 4	-	-	-	-	-	-	-	-	-	-	-	-	-	-	-	★	-	1192 141
	(.003) (Double Reduction and 2 Speed Axles) (H-320, L-200 and L-300 Series Axles) (see note 1)	2, 3, 4	-	-	-	-	-	-	-	-	-	-	-	-	-	-	-	★	★	1192 210
	(.005) (Double Reduction and 2 Speed Axles) (H-320, L-200 and L-300 Series Axles) (see note 1)	2, 3, 4	-	-	-	-	-	-	-	-	-	-	-	-	-	-	-	★	★	1192 211
	(.030) (Double Reduction and 2 Speed Axles) (H-320, L-200 and L-300 Series Axles) (see note 1)	2, 3, 4	-	-	-	-	-	-	-	-	-	-	-	-	-	-	-	★	★	1192 212
	(.003) (Double Reduction and 2 Speed Axles)	1	-	-	-	-	-	-	-	-	-	-	-	-	-	-	-	★	-	1192 210
	(.005) (Double Reduction and 2 Speed Axles)	1	-	-	-	-	-	-	-	-	-	-	-	-	-	-	-	★	-	1192 211
	(.030) (Double Reduction and 2 Speed Axles)	1	-	-	-	-	-	-	-	-	-	-	-	-	-	-	-	★	-	1192 212
	(.003) (Double Reduction and 2 Speed Axles)	1	-	-	-	-	-	-	-	-	-	-	-	-	-	-	-	-	★	1192 744
	(.005) (Double Reduction and 2 Speed Axles)	-	-	-	-	-	-	-	-	-	-	-	-	-	-	-	-	-	★	1192 745
	(.030) (Double Reduction and 2 Speed Axles)	-	-	-	-	-	-	-	-	-	-	-	-	-	-	-	-	-	★	1192 746
	(.003) (Double Reduction and 2 Speed Axles) (Q-200 and Q-300 Series Axles) (see note 1)	2, 3, 4	-	-	-	-	-	-	-	-	-	-	-	-	-	-	-	★	★	1192 744

★ Indicates use as required.

Prices and specifications subject to change without notice.

☐ Indicates parts not listed in any previous parts books.

Series No. (1 indicates B-1 Series) (2 indicates B-2 Series) (3 indicates B-3 Series) (4 indicates B-4 Series)

Where no Series No. is shown part is for B-1, B-2, B-3 and B-4 Series.

CODE	PART NAME AND DESCRIPTION	SERIES NO.	MODEL CODES														PART NO.			
			B	C	D	F	G	H & HH	FM	GM	HM & HHM	J	JM	K	KM	R		T	V	Y
DIFFERENTIAL SPIRAL PINION OR SHAFT BEARING CAGE - Cont'd																				
3-14-2	SHIM																			
	(.005) (Double Reduction and 2 Speed Axles) (Q-200 and Q-300 Series Axles) (see note 1)	2, 3, 4	-	-	-	-	-	-	-	-	-	-	-	-	-	-	-	*	*	1192 745
	(.010) (Double Reduction and 2 Speed Axles) (Q-200 and Q-300 Series Axles) (see note 1)	2, 3, 4	-	-	-	-	-	-	-	-	-	-	-	-	-	-	-	*	*	1266 864
	(.030) (Double Reduction and 2 Speed Axles) (Q-200 and Q-300 Series Axles) (see note 1)	2, 3, 4	-	-	-	-	-	-	-	-	-	-	-	-	-	-	-	*	*	1192 746
	(Right) (.003) (Double Reduction and 2 Speed Axles) (R-200 and R-300 Series Axles) (see note 1)	-	-	-	-	-	-	-	-	-	-	-	-	-	-	-	-	-	*	1268 066
	(Right) (.005) (Double Reduction and 2 Speed Axles) (R-200 and R-300 Series Axles) (see note 1)	-	-	-	-	-	-	-	-	-	-	-	-	-	-	-	-	-	*	1268 067
	(Left) (.003) (Double Reduction and 2 Speed Axles) (R-200 and R-300 Series Axles) (see note 1)	-	-	-	-	-	-	-	-	-	-	-	-	-	-	-	-	-	*	1268 063
	(Left) (.005) (Double Reduction and 2 Speed Axles) (R-200 and R-300 Series Axles) (see note 1)	-	-	-	-	-	-	-	-	-	-	-	-	-	-	-	-	-	*	1268 063
3-14-7	SCREW (2 Speed Axle) (H-300 Series Axle) (see note 1)	2, 3, 4	-	-	-	-	-	-	-	-	-	-	-	-	-	-	-	-	*	1268 624
	Washer, lock	-	-	-	-	-	-	-	-	-	-	-	-	-	-	-	-	-	-	1268 706
	(Double Reduction and 2 Speed Axles) (H-320, L-200 and L-300 Series Axles) (see note 1)	2, 3, 4	-	-	-	-	-	-	-	-	-	-	-	-	6	6	-	-	-	120 384
	(Double Reduction and 2 Speed Axles) (Q-200 and Q-300 Series Axles) (see note 1)	2, 3, 4	-	-	-	-	-	-	-	-	-	-	-	-	6	6	-	-	-	1267 104
	Washer, lock	2	-	-	-	-	-	-	-	-	-	-	-	-	6	6	6	6	-	1264 704
	(Right) (Double Reduction and 2 Speed Axles) (R-200 and R-300 Series Axles) (see note 1)	-	-	-	-	-	-	-	-	-	-	-	-	-	6	6	6	6	-	120 898
	(Left) (Long) (Double Reduction and 2 Speed Axles) (R-200 and R-300 Series Axles) (see note 1)	-	-	-	-	-	-	-	-	-	-	-	-	-	-	-	-	-	6	1264 704
	(Left) (Short) (Double Reduction and 2 Speed Axles) (R-200 and R-300 Series Axles) (see note 1)	-	-	-	-	-	-	-	-	-	-	-	-	-	-	-	-	-	5	1264 704
	Washer, lock	-	-	-	-	-	-	-	-	-	-	-	-	-	-	-	-	-	1	1267 104
	STUD (Double Reduction and 2 Speed Axles) (for trucks using bolts see Part Type Code 3-14-1)	1	-	-	-	-	-	-	-	-	-	-	-	-	6	-	-	-	-	1090 731
	Nut	1	-	-	-	-	-	-	-	-	-	-	-	-	6	-	-	-	-	120 371
	Washer, lock	1	-	-	-	-	-	-	-	-	-	-	-	-	6	-	-	-	-	120 384
	STUD (Double Reduction and 2 Speed Axles) (for trucks using bolts see Part Type Code 3-14-1)	1	-	-	-	-	-	-	-	-	-	-	-	-	6	-	-	-	-	1192 231
	(Double Reduction and 2 Speed Axles) (for trucks using bolts see Part Type Code 3-14-1) . .	1	-	-	-	-	-	-	-	-	-	-	-	-	-	-	6	-	-	1192 742
	Nut	1	-	-	-	-	-	-	-	-	-	-	-	-	6	6	-	-	-	124 634
	Washer, lock	1	-	-	-	-	-	-	-	-	-	-	-	-	6	6	-	-	-	120 898

*Indicates use as required.

Prices and specifications subject to change without notice.

†Indicates parts not listed in any previous parts books.

Series No. (1 indicates B-1 Series) (2 indicates B-2 Series) (3 indicates B-3 Series) (4 indicates B-4 Series)

Where no Series No. is shown part is for B-1, B-2, B-3 and B-4 Series.

CODE	PART NAME AND DESCRIPTION	SERIES NO.	MODEL CODES													PART NO.				
			B	C	D	F	G	H & HH	FM	GM	HM & HHM	J	JM	K	KM		R	T	V	Y
DIFFERENTIAL SPIRAL PINION OR SHAFT GEAR																				
3-15-7	KEY (Double Reduction and 2 Speed Axles)	1	-	-	-	-	-	-	-	-	-	-	-	-	-	1	-	-	-	1192 144
	(2 Speed Axle) (H-300 Series Axle) (see note 1)	2, 3, 4	-	-	-	-	-	-	-	-	-	-	-	-	-	1	-	-	-	1192 144
	(Double Reduction and 2 Speed Axles) (H-320, L-200 and L-300 Series Axles) (see note 1).	2, 3, 4	-	-	-	-	-	-	-	-	-	-	-	-	-	1	1	-	-	1192 218
	(Double Reduction and 2 Speed Axles)	1	-	-	-	-	-	-	-	-	-	-	-	-	-	-	1	-	-	1192 218
	(Double Reduction and 2 Speed Axles)	1	-	-	-	-	-	-	-	-	-	-	-	-	-	-	-	1	-	1192 754
	(Double Reduction and 2 Speed Axles) (Q-200 and Q-300 Series Axles) (see note 1).	2, 3, 4	-	-	-	-	-	-	-	-	-	-	-	-	-	-	-	1	1	1192 754
	(Double Reduction and 2 Speed Axles) (R-200 and R-300 Series Axles) (see note 1).	-	-	-	-	-	-	-	-	-	-	-	-	-	-	-	-	-	-	1268 070
DRIVE GEAR AND PINION																				
3-19-1	GEAR and PINION SET (3.73 to 1 ratio) (consists of 1192 362 Gear and 1192 363 Pinion)	-	1	1	-	-	-	-	-	-	-	-	-	-	-	-	-	-	-	1192 393
	(4.1 to 1 ratio) (consists of 1192 364 Gear 41T. and 1192 365 Pinion 10T.)	-	1	1	-	-	-	-	-	-	-	-	-	-	-	-	-	-	-	1192 394
	(4.3 to 1 ratio) (consists of 1192 366 Gear 43T. and 1192 367 Pinion 10T.)	-	1	1	-	-	-	-	-	-	-	-	-	-	-	-	-	-	-	1192 395
	(4.78 to 1 ratio) (consists of 1192 368 Gear 43T. and 1192 369 Pinion 9T.)	-	1	1	-	-	-	-	-	-	-	-	-	-	-	-	-	-	-	1192 396
	(3.9 to 1 ratio) (consists of 1189 821 Gear 43T. and 1189 825 Pinion 11T.)	-	-	-	1	-	-	-	-	-	-	-	-	-	-	-	-	-	-	1189 864
	(4.3 to 1 ratio) (consists of 1189 822 Gear 43T. and 1189 826 Pinion 10T.)	1, 2, 3	-	-	1	-	-	-	-	-	-	-	-	-	-	-	-	-	-	1189 865
	(4.1 to 1 ratio) (consists of 1500 552 Gear 41T. and 1500 553 Pinion 10T.)	4	-	-	1	-	-	-	-	-	-	-	-	-	-	-	-	-	-	1500 579
	(4.89 to 1 ratio) (consists of 1189 824 Gear 44T. and 1189 828 Pinion 9T.)	-	-	-	1	-	-	-	-	-	-	-	-	-	-	-	-	-	-	1189 867
	(5.625 to 1 ratio) (consists of 594 676 Gear 45T. and 594 679 Pinion 8T.)	-	-	-	-	1	1	1	1	1	1	-	-	-	-	-	-	-	-	594 706
	(6.285 to 1 ratio) (consists of 594 677 Gear 44T. and 594 680 Pinion 7T.)	-	-	-	-	1	1	1	1	1	1	-	-	-	-	-	-	-	-	594 707
	(6.833 to 1 ratio) (consists of 595 164 Gear 41T. and 595 163 Pinion 6T.)	-	-	-	-	1	1	1	1	1	1	-	-	-	-	-	-	-	-	595 165
	(2 Speed Axle) (5.14-7.15 to 1 ratio) (consists of 597 258 Gear 36T. and 597 259 Pinion 7T.)	1	-	-	-	1	-	1	1	-	1	1	1	-	-	-	-	-	-	597 247

★Indicates use as required.

Prices and specifications subject to change without notice.

⊠Indicates parts not listed in any previous parts books.

Series No. (1 indicates B-1 Series) (2 indicates B-2 Series) (3 indicates B-3 Series) (4 indicates B-4 Series)

Where no Series No. is shown part is for B-1, B-2, B-3 and B-4 Series.

CODE	PART NAME AND DESCRIPTION	SERIES NO.	MODEL CODES													PART NO.			
			B	C	D	F	G	H-G-HH	FM	GM	HM & HHM	J	JM	K	KM		R	T	V
3-19-1	GEAR and PINION SET																		
Set 27925	(2 Speed Axle) (5.83-8.11 to 1 ratio) (consists of 1089 525 Gear 35T. and 1089 526 Pinion 6T.)					1	1	1	1	1	1	1							
	(2 Speed Axle) (6.33-8.81 to 1 ratio) (consists of 1260 961 Gear and 1260 962 Pinion 6T.)					1	1	1	1	1	1	1							1090 007
	(5.111 to 1 ratio) (consists of 1089 500 Gear 46T. and 594 951 Pinion 9T.)	1									1	1							1260 963
	(6.285 to 1 ratio) (consists of 1089 516 Gear 44T. and 594 969 Pinion 7T.)										1	1							1089 501
	(7.166 to 1 ratio) (consists of 1089 523 Gear 43T. and 594 978 Pinion 6T.)										1	1							1089 517
	(6.80 to 1 ratio) (consists of Gear 34T. and Pinion 5T.)	2,3,4																	1089 524
	(7.20 to 1 ratio) (consists of Gear 36T. and Pinion 5T.)	2											1	1					1262 729
	(7.20 to 1 ratio) (consists of Gear 36T. and Pinion 5T.) (B-3-K up to approximately serial No. 82819539; B-3-KM up to approximately serial No. 82951845)	3											1	1					1262 723
	(7.20 to 1 ratio) (consists of Gear and Pinion 5T.) (B-3-K after approximately serial No. 82819539; B-3-KM after approximately serial No. 82951845)	3											1	1					1262 723
Set 27887	(2 Speed Axle) (6.143-8.545 to 1 ratio) (consists of 1193 477 Gear 43T. and 1188 165 Pinion 7T.)												1	1					1193 175
	(2 Speed Axle) (6.50-9.04 to 1 ratio) (consists of 1262 094 Gear 39T. and 1262 093 Pinion 6T.)	2,3,4											1	1					1193 493
	(6.80 to 1 ratio)	1											1	1					1262 097
	(7.20 to 1 ratio)	1													1				1262 729
	(Double Reduction and 2 Speed Axles) (8.15 and 6.13-8.15 to 1 ratio)	1													1				1262 723
	(2 Speed Axle) (6.6-8.8 to 1 ratio)	1													1				1192 112
	(6.80 to 1 ratio) (H-100 Series Axle) (see note 1)	2,3,4													1				1195 382
	(2 Speed Axle) (6.13-8.15 to 1 ratio) (H-300 Series Axle) (see note 1)	2													1				1262 729
	(2 Speed Axle) (6.16-8.19 to 1 ratio) (H-300 Series Axle) (see note 1)	3,4													1				1192 112
	(7.40 to 1 ratio) (H-120 and L-100 Series Axles) (see note 1)	2													1	1			1274 917
	(7.20 to 1 ratio) (H-120 and L-100 Series Axles) (see note 1)	2,3,4													1	1			1274 923
															1	1			1274 921

★ Indicates use as required.

⊠ Indicates parts not listed in any previous parts books.

Series No. (1 indicates B-1 Series) (2 indicates B-2 Series) (3 indicates B-3 Series) (4 indicates B-4 Series)

Where no Series No. is shown part is for B-1, B-2, B-3 and B-4 Series.

December 31, 1952

Prices and specifications subject to change without notice.

CODE	PART NAME AND DESCRIPTION	SERIES NO.	MODEL CODES													PART NO.				
			B	C	D	F	G	H & HH	FM	GM	HM & HHM	J	JM	K	KM		R	T	V	Y
DRIVE GEAR AND PINION - Cont'd																				
3-19-1	GEAR and PINION SET (2 Speed Axle) (6.64-9.18 to 1 ratio) (H-320 and L-300 Series Axles) (see note 1).	2, 3, 4	-	-	-	-	-	-	-	-	-	-	-	-	-	1	1	-	-	1196 134
	(6.83 to 1 ratio)		-	-	-	-	-	-	-	-	-	-	-	-	-	-	1	-	-	1263 433
	(7.40 to 1 ratio)	1	-	-	-	-	-	-	-	-	-	-	-	-	-	-	1	-	-	1274 923
	(Double Reduction and 2 Speed Axles) (8.22 and 6.32-8.22 to 1 ratio)		-	-	-	-	-	-	-	-	-	-	-	-	-	-	1	-	-	E1394 512
	(2 Speed Axle) (6.64-9.18 to 1 ratio)	1	-	-	-	-	-	-	-	-	-	-	-	-	-	-	1	-	-	1196 134
	(6.83 to 1 ratio)	1	-	-	-	-	-	-	-	-	-	-	-	-	-	-	-	1	-	1263 965
	(7.80 to 1 ratio)		-	-	-	-	-	-	-	-	-	-	-	-	-	-	-	1	-	1263 964
	(Double Reduction and 2 Speed Axles) (8.38 and 6.42-8.38 to 1 ratio)	1	-	-	-	-	-	-	-	-	-	-	-	-	-	-	-	1	-	1273 793
	(2 Speed Axle) (7.12-9.55 to 1 ratio)		-	-	-	-	-	-	-	-	-	-	-	-	-	-	-	1	-	1260 569
	(6.83 to 1 ratio) (Q-100 Series Axle) (see note 1)	2, 3, 4	-	-	-	-	-	-	-	-	-	-	-	-	-	-	-	1	1	1263 965
	(Double Reduction and 2 Speed Axles) (8.38 and 6.42-8.38 to 1 ratio) (see note 1)	2	-	-	-	-	-	-	-	-	-	-	-	-	-	-	-	1	1	1273 793
	(Double Reduction and 2 Speed Axles) (8.38 and 6.42-8.38 to 1 ratio) (see note 1)	3, 4	-	-	-	-	-	-	-	-	-	-	-	-	-	-	-	1	1	1273 793
	(7.40 to 1 ratio) (R-100 Series Axle) (see note 1)		-	-	-	-	-	-	-	-	-	-	-	-	-	-	-	1	-	1267 722
	(Double Reduction and 2 Speed Axles) (9.23 and 6.42-8.38 to 1 ratio) (R-200 and R-300 Series Axles) (see note 1)	2	-	-	-	-	-	-	-	-	-	-	-	-	-	-	-	-	1	1268 081
	(Double Reduction and 2 Speed Axles) (9.23 and 6.42-8.38 to 1 ratio) (R-200 and R-300 Series Axles) (see note 1) (up to serial No. 8303253 also used on 8303293 and 8303321)	3	-	-	-	-	-	-	-	-	-	-	-	-	-	-	-	-	1	1268 081
	(Double Reduction and 2 Speed Axles) (9.23 and 6.42-8.38 to 1 ratio) (R-200 and R-300 Series Axles) (see note 1) (after serial No. 8303253 except not used on 8303293 and 8303321)	3	-	-	-	-	-	-	-	-	-	-	-	-	-	-	-	-	1	E1393 081
	(Double Reduction and 2 Speed Axles) (9.23 and 6.42-8.38 to 1 ratio) (R-200 and R-300 Series Axles) (see note 1)	4	-	-	-	-	-	-	-	-	-	-	-	-	-	-	-	-	1	E1393 081
	(2 Speed Axle) (7.27-9.49 to 1 ratio) (R-300 Series Axle) (see note 1)	2	-	-	-	-	-	-	-	-	-	-	-	-	-	-	-	-	1	1268 690
	(2 Speed Axle) (7.27-9.49 to 1 ratio) (R-300 Series Axle) (see note 1) (up to serial No. 8303253 also used on 8303293 and 8303321)	3	-	-	-	-	-	-	-	-	-	-	-	-	-	-	-	-	1	1268 690

★Indicates use as required.

Prices and specifications subject to change without notice.

☐Indicates parts not listed in any previous parts books.

Series No. (1 indicates B-1 Series) (2 indicates B-2 Series) (3 indicates B-3 Series) (4 indicates B-4 Series)

Where no Series No. is shown part is for B-1, B-2, B-3 and B-4 Series.

CODE	PART NAME AND DESCRIPTION	SERIES NO.	MODEL CODES													PART NO.			
			B	C	D	F	G	H & HH	FM	GM	HM & HHM	J	JM	K	KM		R	T	V
DRIVE GEAR AND PINION - Cont'd																			
3-19-1	GEAR and PINION SET (2 Speed Axle) (7.27-9.49 to 1 ratio) (R-300 Series Axle) (see note 1) (after serial No. 8303253 except not used on 8303293 and 8303321).	3	-	-	-	-	-	-	-	-	-	-	-	-	-	-	-	1	E1393 102
	(2 Speed Axle) (7.27-9.49 to 1 ratio) (R-300 Series Axle) (see note 1).	4	-	-	-	-	-	-	-	-	-	-	-	-	-	-	-	1	E1393 102
3-19-7	CARRIER, Drive Pinion (w/CUP) (Double Reduction and 2 Speed Axles).	1	-	-	-	-	-	-	-	-	-	-	-	-	1	-	-	-	1192 113
	Bolt, 9/16-12 x 1 3/4" (for trucks using studs see Part Type Code 3-23-15)	1	-	-	-	-	-	-	-	-	-	-	-	-	6	-	-	-	120 896
	Plug	1	-	-	-	-	-	-	-	-	-	-	-	-	1	-	-	-	103 868
	(w/CUP) (2 Speed Axle) (H-300 Series Axle) (see note 1)	2, 3, 4	-	-	-	-	-	-	-	-	-	-	-	-	1	-	-	-	1192 113
	(w/CUP) (Double Reduction and 2 Speed Axles) (H-320, L-200 and L-300 Series Axles) (see note 1)	2, 3, 4	-	-	-	-	-	-	-	-	-	-	-	-	1	1	-	-	1192 271
	Plug	-	-	-	-	-	-	-	-	-	-	-	-	-	1	1	-	-	103 869
	(w/CUP) (Double Reduction and 2 Speed Axles)	1	-	-	-	-	-	-	-	-	-	-	-	-	-	1	-	-	1192 271
	Bolt, 9/16"-12 x 1 3/4" (for trucks using studs see Part Type Code 3-23-15).	1	-	-	-	-	-	-	-	-	-	-	-	-	6	-	-	-	120 896
	Plug	1	-	-	-	-	-	-	-	-	-	-	-	-	1	-	-	-	103 869
	(w/CUPS) (Double Reduction and 2 Speed Axles)	1	-	-	-	-	-	-	-	-	-	-	-	-	-	-	1	-	1192 778
	Bolt (for trucks using studs see Part Type Code 3-23-15)	-	-	-	-	-	-	-	-	-	-	-	-	-	-	6	-	-	120 896
	Plug	-	-	-	-	-	-	-	-	-	-	-	-	-	-	1	-	-	103 869
	(w/CUP) (Double Reduction and 2 Speed Axles) (Q-200 and Q-300 Series Axles) (see note 1)	2, 3, 4	-	-	-	-	-	-	-	-	-	-	-	-	-	-	1	1	1192 778
	(Double Reduction and 2 Speed Axles) (R-200 and R-300 Series Axles) (see note 1).	2	-	-	-	-	-	-	-	-	-	-	-	-	-	-	-	1	1268 077
	(Double Reduction and 2 Speed Axles) (R-200 and R-300 Series Axles) (see note 1) (up to serial No. 8303253 also used on 8303293 and 8303321).	3	-	-	-	-	-	-	-	-	-	-	-	-	-	-	-	1	1268 077
	(Double Reduction and 2 Speed Axles) (R-200 and R-300 Series Axles) (see note 1) (after serial No. 8303253 except not used on 8303293 and 8303321)	3	-	-	-	-	-	-	-	-	-	-	-	-	-	-	-	1	E1393 079
	(Double Reduction and 2 Speed Axles) (R-200 and R-300 Series Axles) (see note 1).	4	-	-	-	-	-	-	-	-	-	-	-	-	-	-	-	1	E1393 079
	Plug	2, 3, 4	-	-	-	-	-	-	-	-	-	-	-	-	-	1	1	-	103 869
3-19-8	SHIM, Drive Pinion Carrier (.003) (Double Reduction and 2 Speed Axles)	1	-	-	-	-	-	-	-	-	-	-	-	-	★	-	-	-	1192 115

★Indicates use as required.

Prices and specifications subject to change without notice.

☐ Indicates parts not listed in any previous parts books.

Series No. (1 indicates B-1 Series) (2 indicates B-2 Series) (3 indicates B-3 Series) (4 indicates B-4 Series)

Where no Series No. is shown part is for B-1, B-2, B-3 and B-4 Series.

AXLE - REAR

TRUCK PARTS LIST

CODE	PART NAME AND DESCRIPTION	SERIES NO.	MODEL CODES													PART NO.			
			B	C	D	F	G	H & HH	FM	GM	HM & HHM	J	JM	K	KM		R	T	V
DRIVE GEAR AND PINION - Cont'd																			
3-19-8	SHIM, Drive Pinion Carrier																		
	(.005) (Double Reduction and 2 Speed Axles)	1	-	-	-	-	-	-	-	-	-	-	-	-	-	*	-	-	-
	(.030) (Double Reduction and 2 Speed Axles)	1	-	-	-	-	-	-	-	-	-	-	-	-	-	*	-	-	-
	(.003) (2 Speed Axle) (H-300 Series Axle) (see note 1)	2, 3, 4	-	-	-	-	-	-	-	-	-	-	-	-	-	*	-	-	-
	(.005) (2 Speed Axle) (H-300 Series Axle) (see note 1)	2, 3, 4	-	-	-	-	-	-	-	-	-	-	-	-	-	*	-	-	-
	(.030) (2 Speed Axle) (H-300 Series Axle) (see note 1)	2, 3, 4	-	-	-	-	-	-	-	-	-	-	-	-	-	*	-	-	-
	(.003) (Double Reduction and 2 Speed Axle) (H-320, L-200 and L-300 Series Axles) (see note 1)	2, 3, 4	-	-	-	-	-	-	-	-	-	-	-	-	-	*	*	-	-
	(.005) (Double Reduction and 2 Speed Axles) (H-320, L-200 and L-300 Series Axles) (see note 1)	2, 3, 4	-	-	-	-	-	-	-	-	-	-	-	-	-	*	*	-	-
	(.030) (Double Reduction and 2 Speed Axles) (H-320, L-200 and L-300 Series Axles) (see note 1)	2, 3, 4	-	-	-	-	-	-	-	-	-	-	-	-	-	*	*	-	-
	(.003) (Double Reduction and 2 Speed Axles)	1	-	-	-	-	-	-	-	-	-	-	-	-	-	-	*	-	-
	(.005) (Double Reduction and 2 Speed Axles)	1	-	-	-	-	-	-	-	-	-	-	-	-	-	-	*	-	-
	(.030) (Double Reduction and 2 Speed Axles)	1	-	-	-	-	-	-	-	-	-	-	-	-	-	-	*	-	-
	(.003) (Double Reduction and 2 Speed Axles)	1	-	-	-	-	-	-	-	-	-	-	-	-	-	-	-	*	-
	(.005) (Double Reduction and 2 Speed Axles)	1	-	-	-	-	-	-	-	-	-	-	-	-	-	-	-	*	-
	(.030) (Double Reduction and 2 Speed Axles)	1	-	-	-	-	-	-	-	-	-	-	-	-	-	-	-	*	-
	(.003) (Double Reduction and 2 Speed Axles) (Q-200 and Q-300 Series Axles) (see note 1)	2, 3, 4	-	-	-	-	-	-	-	-	-	-	-	-	-	-	-	*	*
	(.005) (Double Reduction and 2 Speed Axles) (Q-200 and Q-300 Series Axles) (see note 1)	2, 3, 4	-	-	-	-	-	-	-	-	-	-	-	-	-	-	-	*	*
	(.030) (Double Reduction and 2 Speed Axles) (Q-200 and Q-300 Series Axles) (see note 1)	2, 3, 4	-	-	-	-	-	-	-	-	-	-	-	-	-	-	-	*	*
	(.005) (Double Reduction and 2 Speed Axles) (R-200 and R-300 Series Axles) (see note 1)	-	-	-	-	-	-	-	-	-	-	-	-	-	-	-	-	*	-
	(.031) (Double Reduction and 2 Speed Axles) (R-200 and R-300 Series Axles) (see note 1)	-	-	-	-	-	-	-	-	-	-	-	-	-	-	-	-	*	-
3-19-9	GASKET, Drive Pinion Carrier																		
	(Double Reduction and 2 Speed Axles)	1	-	-	-	-	-	-	-	-	-	-	-	-	-	-	1	-	-
	(Double Reduction and 2 Speed Axles)	1	-	-	-	-	-	-	-	-	-	-	-	-	-	-	-	1	-
	(Double Reduction and 2 Speed Axles)	1	-	-	-	-	-	-	-	-	-	-	-	-	-	-	-	-	1

Prices and specifications subject to change without notice.

★ Indicates use as required.

☐ Indicates parts not listed in any previous parts books.

Series No. (1 indicates B-1 Series) (2 indicates B-2 Series) (3 indicates B-3 Series) (4 indicates B-4 Series)

Where no Series No. is shown part is for B-1, B-2, B-3 and B-4 Series.

CODE	PART NAME AND DESCRIPTION	SERIES NO.	MODEL CODES													PART NO.				
			B	C	D	F	G	H & HH	FM	GM	HM & HHM	J	JM	K	KM		R	T	V	Y
DRIVE GEAR AND PINION - Cont'd																				
3-19-16	GEAR, Differential Drive (low speed) (2 Speed Axles) (34 T.)	1	-	-	-	-	-	-	-	-	-	-	-	-	-	1	-	-	-	1190 708
	(low speed) (2 Speed Axles) (H-300 Series Axle) (see note 1) (34 T.)	2, 3, 4	-	-	-	-	-	-	-	-	-	-	-	-	-	1	-	-	-	1190 708
	(low speed) (2 Speed Axle) (H-320 and L-300 Series Axle) (see note 1) (37 T.)	2, 3, 4	-	-	-	-	-	-	-	-	-	-	-	-	-	1	1	-	-	1192 204
	(low speed) (2 Speed Axle) (37 T.)	1	-	-	-	-	-	-	-	-	-	-	-	-	-	1	-	-	-	1192 204
	(low speed) (2 Speed Axle) (43 T.)	1	-	-	-	-	-	-	-	-	-	-	-	-	-	-	1	-	-	1192 786
	(low speed) (2 Speed Axle) (Q-300 Series Axle) (see note 1) (43 T.)	2, 3, 4	-	-	-	-	-	-	-	-	-	-	-	-	-	-	-	1	1	1192 786
	(low speed) (2 Speed Axle) (R-300 Series Axle) (see note 1) (43 T.)	-	-	-	-	-	-	-	-	-	-	-	-	-	-	-	-	-	1	1268 568
3-19-17	GEAR, Differential Drive (high speed) (2 Speed Axle) (32 T.)	1	-	-	-	-	-	-	-	-	-	-	-	-	-	1	-	-	-	1190 709
	(high speed) (2 Speed Axle) (H-300 Series Axle) (see note 1) (32 T.)	2, 3, 4	-	-	-	-	-	-	-	-	-	-	-	-	-	1	-	-	-	1190 709
	(high speed) (2 Speed Axle) (6.64-9.18 to 1 ratio) (H-320 and L-300 Series Axles) (see note 1) (33 T.)	2, 3, 4	-	-	-	-	-	-	-	-	-	-	-	-	-	1	1	-	-	1266 802
	(high speed) (2 Speed Axle) (6.32-8.22 to 1 or 6.36-8.28 to 1 ratio) (35T.)	-	-	-	-	-	-	-	-	-	-	-	-	-	-	1	-	-	-	1192 300
	(high speed) (2 Speed Axle) (6.64-9.18 to 1 ratio) (33 T.)	1	-	-	-	-	-	-	-	-	-	-	-	-	-	-	1	-	-	1266 802
	(high speed) (2 Speed Axle) (6.53-8.53 to 1 ratio) (40 T.)	1	-	-	-	-	-	-	-	-	-	-	-	-	-	-	1	-	-	1192 844
	(high speed) (2 Speed Axle) (7.12-9.55 to 1 ratio) (39 T.)	-	-	-	-	-	-	-	-	-	-	-	-	-	-	-	1	-	-	1267 214
	(high speed) (2 Speed Axle) (6.53-8.53 to 1 or 6.42-8.38 to 1 ratio) (Q-300 Series Axles) (see note 1) (40 T.)	-	-	-	-	-	-	-	-	-	-	-	-	-	-	-	1	1	-	1192 844
	(high speed) (2 Speed Axle) (R-300 Series Axle) (see note 1) (40 T.)	-	-	-	-	-	-	-	-	-	-	-	-	-	-	-	-	1	-	1268 569
3-19-18	GEAR, Differential Drive (Double Reduction Axle) (34T.)	1	-	-	-	-	-	-	-	-	-	-	-	-	-	1	-	-	-	1192 103
	(Double Reduction Axle) (37T.)	-	-	-	-	-	-	-	-	-	-	-	-	-	-	-	-	-	-	1192 204
	(Double Reduction Axle) (43T.)	1	-	-	-	-	-	-	-	-	-	-	-	-	-	-	1	-	-	1192 786
	(Double Reduction Axle) (Q-200 Series Axle) (see note 1) (43 T.)	2, 3, 4	-	-	-	-	-	-	-	-	-	-	-	-	-	-	-	1	-	1192 786
	(Double Reduction Axle) (R-200 Series Axle) (see note 1) (44 T.)	-	-	-	-	-	-	-	-	-	-	-	-	-	-	-	-	1	1	1268 052
DRIVE GEAR BOLT-SCREW-RIVET																				
3-20-1	BOLT.	-	10	10	12	-	-	-	-	-	-	-	-	-	-	-	-	-	-	663 481
	Nut, lock	-	10	10	-	-	-	-	-	-	-	-	-	-	-	-	-	-	-	189 381
	Nut.	-	-	12	-	-	-	-	-	-	-	-	-	-	-	-	-	-	-	120 369
	BOLT (long) (Double Reduction Axle)	1	-	-	-	-	-	-	-	-	-	-	-	-	-	-	-	-	-	1192 105
	(short) (Double Reduction Axle)	1	-	-	-	-	-	-	-	-	-	-	-	8	-	-	-	-	-	1192 907
	Nut	1	-	-	-	-	-	-	-	-	-	-	-	4	-	-	-	-	-	125 267
	BOLT (long) (2 Speed Axle)	1	-	-	-	-	-	-	-	-	-	-	-	12	-	-	-	-	-	1190 710
	(High Speed Gear) (2 Speed Axle)	1	-	-	-	-	-	-	-	-	-	-	-	8	-	-	-	-	-	1192 104
	(Low Speed Gear) (2 Speed Axle)	1	-	-	-	-	-	-	-	-	-	-	-	4	-	-	-	-	-	1192 907

★Indicates use as required.

⊔Indicates parts not listed in any previous parts books.

Series No (1 indicates B-1 Series) (2 indicates B-2 Series) (3 indicates B-3 Series) (4 indicates B-4 Series)
 Where no Series No. is shown part is for B-1, B-2, B-3 and B-4 Series.

December 31, 1952

Prices and specifications subject to change without notice.

CODE	PART NAME AND DESCRIPTION	SERIES NO.	MODEL CODES													PART NO.			
			B	C	D	F	G	H & HH	FM	GM	HM & HHM	J	JM	K	KM		R	T	V
DRIVE GEAR BOLT-SCREW-RIVET - Cont'd																			
3-20-1	BOLT																		
	(long) (2 Speed Axle) (H-300 Series Axle) (see note 1)	2, 3, 4	-	-	-	-	-	-	-	-	-	-	-	-	8	-	-	-	1190 710
	(Low Speed Gear) (2 Speed Axle) (H-300 Series Axle) (see note 1) (High Speed Gear) (2 Speed Axle) (H-300 Series Axle) (see note 1)	2, 3, 4	-	-	-	-	-	-	-	-	-	-	-	-	4	-	-	-	1192 104
	Nut	2, 3, 4	-	-	-	-	-	-	-	-	-	-	-	-	4	-	-	-	1192 907
	BOLT (long) (Double Reduction Axle)	-	-	-	-	-	-	-	-	-	-	-	-	-	16	-	-	-	125 267
	(short) (Double Reduction Axle)	-	-	-	-	-	-	-	-	-	-	-	-	-	8	-	-	-	1192 105
	Nut	-	-	-	-	-	-	-	-	-	-	-	-	-	4	-	-	-	1192 104
	BOLT (long) (2 Speed Axle)	1	-	-	-	-	-	-	-	-	-	-	-	-	12	-	-	-	125 267
	(short) (2 Speed Axle)	1	-	-	-	-	-	-	-	-	-	-	-	-	8	-	-	-	1190 710
	(long) (2 Speed Axle) (H-320 and L-300 Series Axles) (see note 1) .	2, 3, 4	-	-	-	-	-	-	-	-	-	-	-	-	8	8	-	-	1190 710
	(short) (2 Speed Axle) (H-320 and L-300 Series Axles) (see note 1)	2, 3, 4	-	-	-	-	-	-	-	-	-	-	-	-	8	8	-	-	1192 104
	Nut	-	-	-	-	-	-	-	-	-	-	-	-	-	16	16	-	-	125 267
	BOLT (long) (Double Reduction Axle)	1	-	-	-	-	-	-	-	-	-	-	-	-	-	-	8	-	1192 731
	(short) (Double Reduction Axle)	1	-	-	-	-	-	-	-	-	-	-	-	-	-	-	4	-	1192 732
	(long) (Double Reduction Axle) (Q-200 Series Axle) (see note 1) .	2, 3, 4	-	-	-	-	-	-	-	-	-	-	-	-	-	-	8	8	1192 731
	(short) (Double Reduction Axle) (Q-200 Series Axle) (see note 1) .	2, 3, 4	-	-	-	-	-	-	-	-	-	-	-	-	-	-	4	4	1192 732
	Nut	-	-	-	-	-	-	-	-	-	-	-	-	-	-	-	12	12	119 257
	BOLT (long) (2 Speed Axle)	1	-	-	-	-	-	-	-	-	-	-	-	-	-	-	8	-	1192 845
	(short) (2 Speed Axle)	1	-	-	-	-	-	-	-	-	-	-	-	-	-	-	8	-	1192 732
	(long) (2 Speed Axle) (Q-300 Series Axle) (see note 1)	2, 3, 4	-	-	-	-	-	-	-	-	-	-	-	-	-	-	8	8	1192 845
	(short) (2 Speed Axle) (Q-300 Series Axle) (see note 1)	2, 3, 4	-	-	-	-	-	-	-	-	-	-	-	-	-	-	8	8	1192 732
	(long) (2 Speed Axle) (R-300 Series Axle) (see note 1)	-	-	-	-	-	-	-	-	-	-	-	-	-	-	-	-	8	1268 572
	(short) (2 Speed Axle) (R-300 Series Axle) (see note 1)	-	-	-	-	-	-	-	-	-	-	-	-	-	-	-	-	4	1268 570
	(short) (Low Speed Gear) (2 Speed Axle) (R-300 Series Axle) (see note 1)	-	-	-	-	-	-	-	-	-	-	-	-	-	-	-	-	4	1268 571
	Nut	-	-	-	-	-	-	-	-	-	-	-	-	-	-	-	16	16	119 257
	RIVET (Hypoid Axle)	2, 3, 4	-	-	-	-	-	-	-	-	-	-	-	12	12	-	-	-	1191 782
	(Hypoid Axle)	1	-	-	-	-	-	-	-	-	-	-	-	-	12	-	-	-	1191 782
	(Hypoid Axle) (H-100 Series Axle) (see note 1)	2, 3, 4	-	-	-	-	-	-	-	-	-	-	-	-	12	-	-	-	1191 782
	(Hypoid Axle) (H-120 and L-100 Series Axles) (see note 1) .	2, 3, 4	-	-	-	-	-	-	-	-	-	-	-	-	12	12	-	-	1191 900
	(Hypoid Axle)	1	-	-	-	-	-	-	-	-	-	-	-	-	-	12	-	-	1191 900
	(Hypoid Axle)	1	-	-	-	-	-	-	-	-	-	-	-	-	-	-	12	-	572 663
	(Hypoid Axle) (Q-100 Series Axle) (see note 1)	2, 3, 4	-	-	-	-	-	-	-	-	-	-	-	-	-	-	12	12	572 663
	(Hypoid Axle) (R-100 Series Axle) (see note 1)	-	-	-	-	-	-	-	-	-	-	-	-	-	-	-	-	12	1267 706
	(Double Reduction Axle) (R-200 Series Axle) (see note 1)	-	-	-	-	-	-	-	-	-	-	-	-	-	-	-	-	12	1268 053
	SCREW (Hypoid Axle)	-	-	-	-	12	12	12	12	12	12	12	12	12	-	-	-	-	567 223
	(Hypoid Axle)	-	-	-	-	-	-	-	-	-	-	-	-	-	-	-	-	-	588 950
	Nut	-	-	-	-	12	12	12	12	12	12	12	12	-	-	-	-	-	120 370

★ Indicates use as required.

Prices and specifications subject to change without notice.

⊠ Indicates parts not listed in any previous parts books.

Series No. (1 indicates B-1 Series) (2 indicates B-2 Series) (3 indicates B-3 Series) (4 indicates B-4 Series)

Where no Series No. is shown part is for B-1, B-2, B-3 and B-4 Series.

CODE	PART NAME AND DESCRIPTION	SERIES NO.	MODEL CODES													PART NO.			
			B	C	D	F	G	H & HH	FM	GM	HM & HHM	J	JM	K	KM		R	T	V
DRIVE GEAR BOLT-SCREW-RIVET - Cont'd																			
3-20-2	LOCK, Bolt Nut	-	5	5	-	-	-	-	-	-	-	-	-	-	-	-	-	-	663 482
	Screw (Hypoid Axle)	-	-	6	-	-	-	-	-	-	-	-	-	-	-	-	-	-	601 859
3-20-5	LOCKWIRE, Bolt Nut (Double Reduction Axle)	1	-	-	-	6	6	6	6	6	6	6	-	-	-	-	-	-	587 537
	(Double Reduction Axle) (L-200 and Q-200 Series Axles) (see note 1).	2, 3, 4	-	-	-	-	-	-	-	-	-	-	-	-	-	6	6	6	586 050
	(2 Speed Axle)	1	-	-	-	-	-	-	-	-	-	-	-	-	8	8	8	-	586 050
	(2 Speed Axle) (all except R-300 Series Axle) (see note 1)	2, 3, 4	-	-	-	-	-	-	-	-	-	-	-	-	8	8	8	8	586 050
	(short) (2 Speed Axle) (R-300 Series Axle) (see note 1)	-	-	-	-	-	-	-	-	-	-	-	-	-	-	-	-	4	581 776
	(long) (2 Speed Axle) (R-300 Series Axle) (see note 1)	-	-	-	-	-	-	-	-	-	-	-	-	-	-	-	-	1	1268 573
3-20-17	PAD, Thrust Screw	-	-	1	-	-	-	-	-	-	-	-	-	-	-	-	-	-	856 870
	(Hypoid Axle)	-	-	-	1	1	1	1	1	1	1	1	-	-	-	-	-	-	587 538
	BLOCK, Thrust (Hypoid Axle)	-	-	-	-	-	-	-	-	-	-	-	1	1	1	1	1	1	1191 743
3-20-18	SCREW, Thrust Pad	-	-	1	-	-	-	-	-	-	-	-	-	-	-	-	-	-	856 868
	Washer, lock	-	-	1	-	-	-	-	-	-	-	-	-	-	-	-	-	-	131 046
	(Hypoid Axle)	-	-	-	1	1	1	1	1	1	1	1	-	-	-	-	-	-	587 539
	Nut	3, 4	-	-	-	1	1	1	1	1	1	1	-	-	-	-	-	-	124 651
	Washer, lock	1, 2	-	-	-	1	1	1	1	1	1	1	-	-	-	-	-	-	131 047
	Block (Hypoid Axle)	2, 3, 4	-	-	-	-	-	-	-	-	-	-	1	1	-	-	-	-	1191 744
	(Hypoid Axle)	1	-	-	-	-	-	-	-	-	-	-	-	-	1	-	-	-	1191 744
	(Hypoid Axle) (H-100 Series Axle) (see note 1)	2, 3, 4	-	-	-	-	-	-	-	-	-	-	-	-	1	-	-	-	1191 744
	Nut	-	-	-	-	-	-	-	-	-	-	-	1	1	1	-	-	-	124 645
	(Hypoid Axle)	1	-	-	-	-	-	-	-	-	-	-	-	-	1	1	-	-	1191 901
	(Hypoid Axle) (all except H-100 Series Axle) (see note 1)	2, 3, 4	-	-	-	-	-	-	-	-	-	-	-	-	1	1	1	1	1191 901
3-20-19	NUT, Thrust Screw Check	-	-	1	-	-	-	-	-	-	-	-	-	-	-	1	1	1	856 869
	(Hypoid Axle)	1	-	-	-	-	-	-	-	-	-	-	-	-	1	1	-	-	1191 902
	(Hypoid Axle) (all except H-100 Series Axle) (see note 1)	2, 3, 4	-	-	-	-	-	-	-	-	-	-	-	-	1	1	1	1	1191 902
DRIVE PINION BEARING																			
3-22-7	BEARING (front) (Hypoid Axle)	-	-	-	1	1	1	1	1	1	1	1	-	-	-	-	-	-	587 545
	(inner) (2 Speed Axle)	-	-	-	1	1	1	1	1	1	1	1	-	-	-	-	-	-	579 118
	(inner) (2 Speed Axle)	-	-	-	-	-	-	-	-	-	-	-	1	1	-	-	-	-	189 826
	(rear) (Hypoid Axle)	-	-	-	-	-	-	-	-	-	-	-	1	1	1	1	-	-	572 556
	(rear) (Hypoid Axle)	1	-	-	-	-	-	-	-	-	-	-	-	-	-	-	1	-	1192 470
	(rear) (Hypoid Axle) (Q-100 Series Axle) (see note 1)	2, 3, 4	-	-	-	-	-	-	-	-	-	-	-	-	-	-	1	1	1192 470
	(rear) (Hypoid Axle) (R-100 Series Axle) (see note 1)	-	-	-	-	-	-	-	-	-	-	-	-	-	-	-	-	1	1267 714
3-22-24	CONE and ROLLERS (front)	1, 2	1	1	-	-	-	-	-	-	-	-	-	-	-	-	-	-	698 414
	(front)	3, 4	1	1	-	-	-	-	-	-	-	-	-	-	-	-	-	-	E1401 808
	(rear)	1, 2	1	1	-	-	-	-	-	-	-	-	-	-	-	-	-	-	698 415
	(rear)	3, 4	1	1	-	-	-	-	-	-	-	-	-	-	-	-	-	-	E1401 809
	(front)	-	-	1	-	-	-	-	-	-	-	-	-	-	-	-	-	-	856 859
	(rear)	-	-	1	-	-	-	-	-	-	-	-	-	-	-	-	-	-	856 861
	(rear) (Hypoid Axle)	-	-	-	1	1	1	1	1	1	1	1	-	-	-	-	-	-	588 887
	(outer) (2 Speed Axle)	-	-	-	2	2	2	2	2	2	2	2	-	-	-	-	-	-	1264 093
	(inner) (Hypoid Axle)	2, 3, 4	-	-	-	-	-	-	-	-	-	-	1	1	-	-	-	-	1191 748
	(outer) (Hypoid Axle)	2, 3, 4	-	-	-	-	-	-	-	-	-	-	1	1	-	-	-	-	1191 867
	(inner) (Hypoid Axle)	1	-	-	-	-	-	-	-	-	-	-	-	-	1	-	-	-	1191 748
	(outer) (Hypoid Axle)	1	-	-	-	-	-	-	-	-	-	-	-	-	1	-	-	-	1191 867

★ Indicates use as required.

□ Indicates parts not listed in any previous parts books.

Series No. (1 indicates B-1 Series) (2 indicates B-2 Series) (3 indicates B-3 Series) (4 indicates B-4 Series)

Where no Series No. is shown part is for B-1, B-2, B-3 and B-4 Series.

December 31, 1952

Prices and specifications subject to change without notice.

CODE	PART NAME AND DESCRIPTION	SERIES NO.	MODEL CODES													PART NO.			
			B	C	D	F	G	H & HH	FM	GM	HM & HHM	J	JM	K	KM		R	T	V
DRIVE PINION BEARING - Cont'd																			
3-22-24	CONE AND ROLLERS																		
	(inner) (Hypoid Axle) (H-100 Series Axle) (see note 1)	2, 3, 4	-	-	-	-	-	-	-	-	-	-	-	-	-	1	-	-	-
	(outer) (Hypoid Axle) (H-100 Series Axle) (see note 1)	-	-	-	-	-	-	-	-	-	-	-	-	-	-	1	-	-	-
	(front) (Double Reduction and 2 Speed Axles)	1	-	-	-	-	-	-	-	-	-	-	-	-	-	1	-	-	-
	(rear) (Double Reduction and 2 Speed Axles)(use only if No. 3979 is stamped on outer face)	1	-	-	-	-	-	-	-	-	-	-	-	-	-	1	-	-	-
	(rear) (Double Reduction and 2 Speed Axles)(use only if No. 39580 is stamped on outer face)	1	-	-	-	-	-	-	-	-	-	-	-	-	-	1	-	-	-
	(front) (2 Speed Axle) (H-300 Series Axle) (see note 1)	2, 3, 4	-	-	-	-	-	-	-	-	-	-	-	-	-	1	-	-	-
	(rear) (2 Speed Axle) (H-300 Series Axle) (see note 1)	2, 3, 4	-	-	-	-	-	-	-	-	-	-	-	-	-	1	-	-	-
	(front inner) (Hypoid Axle) (H-120 and L-100 Series Axles) (see note 1)	2, 3, 4	-	-	-	-	-	-	-	-	-	-	-	-	-	1	1	-	-
	(front outer) (Hypoid Axle) (H-120 and L-100 Series Axles) (see note 1)	2, 3, 4	-	-	-	-	-	-	-	-	-	-	-	-	-	1	1	-	-
	(front) (Double Reduction and 2 Speed Axles)(H-320, L-200 and L-300 Series Axles)(see note 1)	2, 3, 4	-	-	-	-	-	-	-	-	-	-	-	-	-	1	1	-	-
	(rear) (Double Reduction and 2 Speed Axles)(H-320, L-200 and L-300 Series Axles)(see note 1)	2, 3, 4	-	-	-	-	-	-	-	-	-	-	-	-	-	1	1	-	-
	(front inner) (Hypoid Axle)	1	-	-	-	-	-	-	-	-	-	-	-	-	-	-	1	-	-
	(front outer) (Hypoid Axle)	1	-	-	-	-	-	-	-	-	-	-	-	-	-	-	1	-	-
	(front) (Double Reduction and 2 Speed Axles)	1	-	-	-	-	-	-	-	-	-	-	-	-	-	-	1	-	-
	(rear) (Double Reduction and 2 Speed Axles)	1	-	-	-	-	-	-	-	-	-	-	-	-	-	-	1	-	-
	(front inner) (Hypoid Axle)	1	-	-	-	-	-	-	-	-	-	-	-	-	-	-	-	1	-
	(front outer) (Hypoid Axle)	1	-	-	-	-	-	-	-	-	-	-	-	-	-	-	-	1	-
	(front) (Double Reduction and 2 Speed Axles)	1	-	-	-	-	-	-	-	-	-	-	-	-	-	-	-	1	-
	(rear) (Double Reduction and 2 Speed Axles)	1	-	-	-	-	-	-	-	-	-	-	-	-	-	-	-	1	-
	(front inner) (Hypoid Axle) (Q-100 Series Axle) (see note 1)	2, 3, 4	-	-	-	-	-	-	-	-	-	-	-	-	-	-	-	1	1
	(front outer) (Hypoid Axle) (Q-100 Series Axle) (see note 1)	2, 3, 4	-	-	-	-	-	-	-	-	-	-	-	-	-	-	-	1	1
	(front inner) (Hypoid Axle) (R-100 Series Axle)(see note 1)	-	-	-	-	-	-	-	-	-	-	-	-	-	-	-	-	-	1
	(front outer) (Hypoid Axle) (R-100 Series Axle)(see note 1)	-	-	-	-	-	-	-	-	-	-	-	-	-	-	-	-	-	1
	(front) (Double Reduction and 2 Speed Axles)	2, 3, 4	-	-	-	-	-	-	-	-	-	-	-	-	-	-	-	1	-
	(rear) (Double Reduction and 2 Speed Axles) (Q-200 and Q-300 Series Axles) (see note 1)	2, 3, 4	-	-	-	-	-	-	-	-	-	-	-	-	-	-	-	1	1
	(rear) (Double Reduction and 2 Speed Axles) (R-200 and R-300 Series Axles) (see note 1)	2	-	-	-	-	-	-	-	-	-	-	-	-	-	-	-	-	1
	(front) (Double Reduction and 2 Speed Axles)	2	-	-	-	-	-	-	-	-	-	-	-	-	-	-	-	-	1

★ Indicates use as required.

☐ Indicates parts not listed in any previous parts books.

Series No. (1 indicates B-1 Series) (2 indicates B-2 Series) (3 indicates B-3 Series) (4 indicates B-4 Series)

Where no Series No. is shown part is for B-1, B-2, B-3 and B-4 Series.

Prices and specifications subject to change without notice.

CODE	PART NAME AND DESCRIPTION	SERIES NO.	MODEL CODES													PART NO.			
			B	C	D	F	G	H & HH	FM	GM	HM & HHM	J	JM	K	KM		R	T	V
DRIVE PINION BEARING - Cont'd																			
3-22-24	CONE AND ROLLERS (front) (Double Reduction and 2 Speed Axles) (up to serial No. 8303253 also used on 8303293 and 8303321)	3	-	-	-	-	-	-	-	-	-	-	-	-	-	-	-	1	566 600
	(front) (Double Reduction and 2 Speed Axles) (after serial No. 8303253 except not used on 8303293 and 8303321).	3	-	-	-	-	-	-	-	-	-	-	-	-	-	-	-	1	E1393 091
	(front) (Double Reduction and 2 Speed Axles)	4	-	-	-	-	-	-	-	-	-	-	-	-	-	-	-	1	E1393 091
	(rear) (Double Reduction and 2 Speed Axles) (R-200 and R-300 Series Axles) (see note 1) (up to serial No. 8303253 also used on 8303293 and 8303321).	3	-	-	-	-	-	-	-	-	-	-	-	-	-	-	-	1	1268 074
	(rear) (Double Reduction and 2 Speed Axles) (R-200 and R-300 Series Axles) (see note 1) (after serial No. 8303253 except not used on 8303293 and 8303321)	3	-	-	-	-	-	-	-	-	-	-	-	-	-	-	-	1	E1393 092
	(rear) (Double Reduction and 2 Speed Axles) (R-200 and R-300 Series Axles) (see note 1).	4	-	-	-	-	-	-	-	-	-	-	-	-	-	-	-	1	E1393 092
3-22-25	CUP (front and rear)	1,2	2	2	-	-	-	-	-	-	-	-	-	-	-	-	-	1	E1393 092
	(front and rear)	3,4	2	2	-	-	-	-	-	-	-	-	-	-	-	-	-	-	698 413
	(front)	-	-	1	-	-	-	-	-	-	-	-	-	-	-	-	-	-	E1401 810
	(rear)	-	-	1	-	-	-	-	-	-	-	-	-	-	-	-	-	-	619 395
	(rear) (Hypoid Axle)	-	-	-	1	1	1	1	1	1	1	1	1	1	1	1	1	-	688 474
	(outer) (2 Speed Axle)	-	-	-	2	2	2	2	2	2	2	2	2	2	2	2	2	-	587 551
	(inner and outer) (Hypoid Axle)	2,3	-	-	-	-	-	-	-	-	-	-	-	-	-	-	-	-	1264 089
	(inner and outer) (Hypoid Axle)	1	-	-	-	-	-	-	-	-	-	-	-	2	2	-	-	-	1191 868
	(front) (Double Reduction and 2 Speed Axles)	1	-	-	-	-	-	-	-	-	-	-	-	-	2	-	-	-	1191 868
	(rear) (Double Reduction and 2 Speed Axles) (use only if No. 3920 is stamped on inner face).	1	-	-	-	-	-	-	-	-	-	-	-	-	1	-	-	-	619 395
	(rear) (Double Reduction and 2 Speed Axles) (use only if No. 39520 is stamped on inner face)	1	-	-	-	-	-	-	-	-	-	-	-	-	1	-	-	-	563 568
	(inner and outer) (Hypoid Axle) (H-100 Series Axle) (see note 1)	2,3,4	-	-	-	-	-	-	-	-	-	-	-	-	1	-	-	-	1193 605
	(front) (2 Speed Axle) (H-300 Series Axle) (see note 1)	2,3,4	-	-	-	-	-	-	-	-	-	-	-	-	2	-	-	-	1191 868
	(rear) (2 Speed Axle) (H-300 Series Axle) (see note 1)	2,3,4	-	-	-	-	-	-	-	-	-	-	-	-	1	-	-	-	619 395
	(front inner and outer) (Hypoid Axle) (H-120 and L-100 Series Axles) (see note 1).	2,3,4	-	-	-	-	-	-	-	-	-	-	-	-	1	-	-	-	1193 605
	(front) (Double Reduction and 2 Speed Axles) (H-320, L-200 and L-300 Series Axles) (see note 1)	2,3,4	-	-	-	-	-	-	-	-	-	-	-	-	2	2	-	-	1191 916
	(rear) (Double Reduction and 2 Speed Axles) (H-320, L-200 and L-300 Series Axles) (see note 1)	2,3,4	-	-	-	-	-	-	-	-	-	-	-	-	1	1	-	-	587 551
	(rear) (Double Reduction and 2 Speed Axles) (H-320, L-200 and L-300 Series Axles) (see note 1)	2,3,4	-	-	-	-	-	-	-	-	-	-	-	-	1	1	-	-	1192 238

★ Indicates use as required.

□ Indicates parts not listed in any previous parts books.

Prices and specifications subject to change without notice.

Series No. (1 indicates B-1 Series) (2 indicates B-2 Series) (3 indicates B-3 Series) (4 indicates B-4 Series)

Where no Series No. is shown part is for B-1, B-2, B-3 and B-4 Series.

CODE	PART NAME AND DESCRIPTION	SERIES NO.	MODEL CODES													PART NO.				
			B	C	D	F	G	H & HH	FM	GM	HM & HHM	J	JM	K	KM		R	T	V	Y
DRIVE PINION BEARING - Cont'd																				
3-22-25	CUP																			
	(front inner and outer) (Hypoid Axle)	1	-	-	-	-	-	-	-	-	-	-	-	-	-	-	2	-	-	1191 916
	(front) (Double Reduction and 2 Speed Axles)	1	-	-	-	-	-	-	-	-	-	-	-	-	-	-	1	-	-	587 551
	(rear) (Double Reduction and 2 Speed Axles)	1	-	-	-	-	-	-	-	-	-	-	-	-	-	-	1	-	-	1192 238
	(front inner and outer) (Hypoid Axle)	1	-	-	-	-	-	-	-	-	-	-	-	-	-	-	2	-	-	1192 437
	(front) (Double Reduction and 2 Speed Axles)	-	-	-	-	-	-	-	-	-	-	-	-	-	-	-	1	-	-	563 572
	(front) (Double Reduction and 2 Speed Axles)	2	-	-	-	-	-	-	-	-	-	-	-	-	-	-	-	1	-	563 572
	(front) (Double Reduction and 2 Speed Axles) (up to serial No. 8303253 also used on 8303293 and 8303321)	3	-	-	-	-	-	-	-	-	-	-	-	-	-	-	-	1	-	563 572
	(front) (Double Reduction and 2 Speed Axles) (after serial No. 8303253 except not used on 8303293 and 8303321)	3	-	-	-	-	-	-	-	-	-	-	-	-	-	-	-	1	-	E1393 094
	(front) (Double Reduction and 2 Speed Axles)	4	-	-	-	-	-	-	-	-	-	-	-	-	-	-	-	1	-	E1393 094
	(rear) (Double Reduction and 2 Speed Axles)	1	-	-	-	-	-	-	-	-	-	-	-	-	-	-	1	-	-	1192 238
	(front inner and outer) (Hypoid Axle) (Q-100 Series Axle) (see note 1)	2,3,4	-	-	-	-	-	-	-	-	-	-	-	-	-	-	2	2	-	1192 437
	(front inner and outer) (Hypoid Axle) (R-100 Series Axle) (see note 1)	-	-	-	-	-	-	-	-	-	-	-	-	-	-	-	-	2	-	1267 718
	(rear) (Double Reduction and 2 Speed Axles) (Q-200 and Q-300 Series Axles) (see note 1)	2,3,4	-	-	-	-	-	-	-	-	-	-	-	-	-	-	1	1	-	1192 238
	(rear) (Double Reduction and 2 Speed Axles) (R-200 and R-300 Series Axles) (see note 1)	2	-	-	-	-	-	-	-	-	-	-	-	-	-	-	-	1	-	1268 075
	(rear) (Double Reduction and 2 Speed Axles) (R-200 and R-300 Series Axles) (see note 1) (up to serial No. 8303253 also used on 8303293 and 8303321)	3	-	-	-	-	-	-	-	-	-	-	-	-	-	-	-	1	-	1268 075
	(rear) (Double Reduction and 2 Speed Axles) (R-200 and R-300 Series Axles) (see note 1) (after serial No. 8303253 except not used on 8303293 and 8303321)	3	-	-	-	-	-	-	-	-	-	-	-	-	-	-	-	1	-	E1393 095
	(rear) (Double Reduction and 2 Speed Axles) (R-200 and R-300 Series Axles) (see note 1)	4	-	-	-	-	-	-	-	-	-	-	-	-	-	-	-	1	-	E1393 095
3-22-26	SPACER		1	1	-	-	-	-	-	-	-	-	-	-	-	-	-	-	-	663 483
	(.1790)	-	-	-	*	-	-	-	-	-	-	-	-	-	-	-	-	-	-	857 488
	(.1810)	-	-	-	*	-	-	-	-	-	-	-	-	-	-	-	-	-	-	857 489
	(.1830)	-	-	-	*	-	-	-	-	-	-	-	-	-	-	-	-	-	-	857 490
	(.1850)	-	-	-	*	-	-	-	-	-	-	-	-	-	-	-	-	-	-	857 491
	(.1870)	-	-	-	*	-	-	-	-	-	-	-	-	-	-	-	-	-	-	857 492
	(.1890)	-	-	-	*	-	-	-	-	-	-	-	-	-	-	-	-	-	-	863 477
	(.1910)	-	-	-	*	-	-	-	-	-	-	-	-	-	-	-	-	-	-	863 478

★ Indicates use as required.

Prices and specifications subject to change without notice.

☐ Indicates parts not listed in any previous parts books.

Series No. (1 indicates B-1 Series) (2 indicates B-2 Series) (3 indicates B-3 Series) (4 indicates B-4 Series)

Where no Series No. is shown part is for B-1, B-2, B-3 and B-4 Series.

CODE	PART NAME AND DESCRIPTION	SERIES NO.	MODEL CODES													PART NO.			
			B	C	D	F	G	H & HH	FM	GM	HM & HHM	J	JM	K	KM		R	T	V
DRIVE PINION BEARING - Cont'd																			
3-22-26	SPACER																		
	(.1930)				*														
	(.1750) (Hypoid Axle)				*	*	*	*	*	*	*	*	*	*	*	*	*	*	*
	(.1770) (Hypoid Axle)				*	*	*	*	*	*	*	*	*	*	*	*	*	*	*
	(.1790) (Hypoid Axle)				*	*	*	*	*	*	*	*	*	*	*	*	*	*	*
	(.1810) (Hypoid Axle)				*	*	*	*	*	*	*	*	*	*	*	*	*	*	*
	(.1830) (Hypoid Axle)				*	*	*	*	*	*	*	*	*	*	*	*	*	*	*
	(.1850) (Hypoid Axle)				*	*	*	*	*	*	*	*	*	*	*	*	*	*	*
	(.1870) (Hypoid Axle)				*	*	*	*	*	*	*	*	*	*	*	*	*	*	*
	(.1890) (Hypoid Axle)				*	*	*	*	*	*	*	*	*	*	*	*	*	*	*
	(.1910) (Hypoid Axle)				*	*	*	*	*	*	*	*	*	*	*	*	*	*	*
	(.513) (2 Speed Axle)				*	*	*	*	*	*	*	*	*	*	*	*	*	*	*
	(.516) (2 Speed Axle)				*	*	*	*	*	*	*	*	*	*	*	*	*	*	*
	(.519) (2 Speed Axle)				*	*	*	*	*	*	*	*	*	*	*	*	*	*	*
	(.522) (2 Speed Axle)				*	*	*	*	*	*	*	*	*	*	*	*	*	*	*
	(.525) (2 Speed Axle)				*	*	*	*	*	*	*	*	*	*	*	*	*	*	*
	(.528) (2 Speed Axle)				*	*	*	*	*	*	*	*	*	*	*	*	*	*	*
	(.531) (2 Speed Axle)				*	*	*	*	*	*	*	*	*	*	*	*	*	*	*
	(.534) (2 Speed Axle)				*	*	*	*	*	*	*	*	*	*	*	*	*	*	*
	(.537) (2 Speed Axle)				*	*	*	*	*	*	*	*	*	*	*	*	*	*	*
	(.539) (2 Speed Axle)				*	*	*	*	*	*	*	*	*	*	*	*	*	*	*
	(.540) (2 Speed Axle)				*	*	*	*	*	*	*	*	*	*	*	*	*	*	*
	(.543) (2 Speed Axle)				*	*	*	*	*	*	*	*	*	*	*	*	*	*	*
	(.219) (Hypoid Axle)	2, 3, 4			*	*	*	*	*	*	*	*	*	*	*	*	*	*	*
	(.220) (Hypoid Axle)	2, 3, 4			*	*	*	*	*	*	*	*	*	*	*	*	*	*	*
	(.221) (Hypoid Axle)	2, 3, 4			*	*	*	*	*	*	*	*	*	*	*	*	*	*	*
	(.222) (Hypoid Axle)	2, 3, 4			*	*	*	*	*	*	*	*	*	*	*	*	*	*	*
	(.223) (Hypoid Axle)	2, 3, 4			*	*	*	*	*	*	*	*	*	*	*	*	*	*	*
	(.224) (Hypoid Axle)	2, 3, 4			*	*	*	*	*	*	*	*	*	*	*	*	*	*	*
	(.230) (Hypoid Axle)	2, 3, 4			*	*	*	*	*	*	*	*	*	*	*	*	*	*	*
	(.236) (Hypoid Axle)	2, 3, 4			*	*	*	*	*	*	*	*	*	*	*	*	*	*	*
	(.242) (Hypoid Axle)	2, 3, 4			*	*	*	*	*	*	*	*	*	*	*	*	*	*	*
	(.248) (Hypoid Axle)	2, 3, 4			*	*	*	*	*	*	*	*	*	*	*	*	*	*	*
	(.254) (Hypoid Axle)	2, 3, 4			*	*	*	*	*	*	*	*	*	*	*	*	*	*	*
	(.219) (Hypoid Axle)	1			*	*	*	*	*	*	*	*	*	*	*	*	*	*	*
	(.220) (Hypoid Axle)	1			*	*	*	*	*	*	*	*	*	*	*	*	*	*	*
	(.221) (Hypoid Axle)	1			*	*	*	*	*	*	*	*	*	*	*	*	*	*	*
	(.222) (Hypoid Axle)	1			*	*	*	*	*	*	*	*	*	*	*	*	*	*	*
	(.223) (Hypoid Axle)	1			*	*	*	*	*	*	*	*	*	*	*	*	*	*	*
	(.224) (Hypoid Axle)	1			*	*	*	*	*	*	*	*	*	*	*	*	*	*	*
	(.230) (Hypoid Axle)	1			*	*	*	*	*	*	*	*	*	*	*	*	*	*	*
	(.236) (Hypoid Axle)	1			*	*	*	*	*	*	*	*	*	*	*	*	*	*	*
	(.242) (Hypoid Axle)	1			*	*	*	*	*	*	*	*	*	*	*	*	*	*	*
	(.248) (Hypoid Axle)	1			*	*	*	*	*	*	*	*	*	*	*	*	*	*	*
	(.254) (Hypoid Axle)	1			*	*	*	*	*	*	*	*	*	*	*	*	*	*	*
	(.187) (Double Reduction and 2 Speed Axles)	1			*	*	*	*	*	*	*	*	*	*	*	*	*	*	*
	(.189) (Double Reduction and 2 Speed Axles)	1			*	*	*	*	*	*	*	*	*	*	*	*	*	*	*
	(.193) (Double Reduction and 2 Speed Axles)	1			*	*	*	*	*	*	*	*	*	*	*	*	*	*	*
	(.197) (Double Reduction and 2 Speed Axles)	1			*	*	*	*	*	*	*	*	*	*	*	*	*	*	*
	(.201) (Double Reduction and 2 Speed Axles)	1			*	*	*	*	*	*	*	*	*	*	*	*	*	*	*
	(.205) (Double Reduction and 2 Speed Axles)	1			*	*	*	*	*	*	*	*	*	*	*	*	*	*	*
	(.207) (Double Reduction and 2 Speed Axles)	1			*	*	*	*	*	*	*	*	*	*	*	*	*	*	*

★ Indicates use as required.

□ Indicates parts not listed in any previous parts books.

Series No. (1 indicates B-1 Series) (2 indicates B-2 Series) (3 indicates B-3 Series) (4 indicates B-4 Series)

Where no Series No. is shown part is for B-1, B-2, B-3 and B-4 Series.

April 6, 1953 Supersedes Dec. 31, 1952.

Prices and specifications subject to change without notice.

CODE	PART NAME AND DESCRIPTION	SERIES NO.	MODEL CODES													PART NO.			
			B	C	D	F	G	H & HH	FM	GM	HM & HHM	J	JM	K	KM		R	T	V
DRIVE PINION BEARING - Cont'd																			
3-22-26	SPACER																		
	(.219) (Hypoid Axle) (H-100 Series Axle) (see note 1)	2, 3, 4	-	-	-	-	-	-	-	-	-	-	-	-	-	-	-	-	-
	(.220) (Hypoid Axle) (H-100 Series Axle) (see note 1)	2, 3, 4	-	-	-	-	-	-	-	-	-	-	-	-	-	-	-	-	-
	(.221) (Hypoid Axle) (H-100 Series Axle) (see note 1)	2, 3, 4	-	-	-	-	-	-	-	-	-	-	-	-	-	-	-	-	-
	(.222) (Hypoid Axle) (H-100 Series Axle) (see note 1)	2, 3, 4	-	-	-	-	-	-	-	-	-	-	-	-	-	-	-	-	-
	(.223) (Hypoid Axle) (H-100 Series Axle) (see note 1)	2, 3, 4	-	-	-	-	-	-	-	-	-	-	-	-	-	-	-	-	-
	(.224) (Hypoid Axle) (H-100 Series Axle) (see note 1)	2, 3, 4	-	-	-	-	-	-	-	-	-	-	-	-	-	-	-	-	-
	(.230) (Hypoid Axle) (H-100 Series Axle) (see note 1)	2, 3, 4	-	-	-	-	-	-	-	-	-	-	-	-	-	-	-	-	-
	(.236) (Hypoid Axle) (H-100 Series Axle) (see note 1)	2, 3, 4	-	-	-	-	-	-	-	-	-	-	-	-	-	-	-	-	-
	(.242) (Hypoid Axle) (H-100 Series Axle) (see note 1)	2, 3, 4	-	-	-	-	-	-	-	-	-	-	-	-	-	-	-	-	-
	(.248) (Hypoid Axle) (H-100 Series Axle) (see note 1)	2, 3, 4	-	-	-	-	-	-	-	-	-	-	-	-	-	-	-	-	-
	(.254) (Hypoid Axle) (H-100 Series Axle) (see note 1)	2, 3, 4	-	-	-	-	-	-	-	-	-	-	-	-	-	-	-	-	-
	(.187) (2 Speed Axle) (H-300 Series Axle) (see note 1)	2, 3, 4	-	-	-	-	-	-	-	-	-	-	-	-	-	-	-	-	-
	(.189) (2 Speed Axle) (H-300 Series Axle) (see note 1)	2, 3, 4	-	-	-	-	-	-	-	-	-	-	-	-	-	-	-	-	-
	(.193) (2 Speed Axle) (H-300 Series Axle) (see note 1)	2, 3, 4	-	-	-	-	-	-	-	-	-	-	-	-	-	-	-	-	-
	(.197) (2 Speed Axle) (H-300 Series Axle) (see note 1)	2, 3, 4	-	-	-	-	-	-	-	-	-	-	-	-	-	-	-	-	-
	(.201) (2 Speed Axle) (H-300 Series Axle) (see note 1)	2, 3, 4	-	-	-	-	-	-	-	-	-	-	-	-	-	-	-	-	-
	(.205) (2 Speed Axle) (H-300 Series Axle) (see note 1)	2, 3, 4	-	-	-	-	-	-	-	-	-	-	-	-	-	-	-	-	-
	(.207) (2 Speed Axle) (H-300 Series Axle) (see note 1)	2, 3, 4	-	-	-	-	-	-	-	-	-	-	-	-	-	-	-	-	-
	(.209) (2 Speed Axle) (H-300 Series Axle) (see note 1)	2, 3, 4	-	-	-	-	-	-	-	-	-	-	-	-	-	-	-	-	-
	(.238) (Hypoid Axle) (H-120 and L-100 Series Axles) (see note 1)	2, 3, 4	-	-	-	-	-	-	-	-	-	-	-	-	-	-	-	-	-
	(.239) (Hypoid Axles) (H-120 and L-100 Series Axles) (see note 1)	2, 3, 4	-	-	-	-	-	-	-	-	-	-	-	-	-	-	-	-	-
	(.240) (Hypoid Axle) (H-120 and L-100 Series Axles) (see note 1)	2, 3, 4	-	-	-	-	-	-	-	-	-	-	-	-	-	-	-	-	-
	(.241) (Hypoid Axle) (H-120 and L-100 Series Axles) (see note 1)	2, 3, 4	-	-	-	-	-	-	-	-	-	-	-	-	-	-	-	-	-
	(.242) (Hypoid Axle) (H-120 and L-100 Series Axles) (see note 1)	2, 3, 4	-	-	-	-	-	-	-	-	-	-	-	-	-	-	-	-	-
	(.243) (Hypoid Axle) (H-120 and L-100 Series Axles) (see note 1)	2, 3, 4	-	-	-	-	-	-	-	-	-	-	-	-	-	-	-	-	-

Prices and specifications subject to change without notice.

★ Indicates use as required.

☐ Indicates parts not listed in any previous parts books.

Series No. (1 indicates B-1 Series) (2 indicates B-2 Series) (3 indicates B-3 Series) (4 indicates B-4 Series)

Where no Series No. is shown part is for B-1, B-2, B-3 and B-4 Series.

CODE	PART NAME AND DESCRIPTION	SERIES NO.	MODEL CODES													PART NO.			
			B	C	D	F	G	H & HH	FM	GM	HM & HHM	J	JM	K	KM		R	T	V
DRIVE PINION BEARING - Cont'd																			
3-22-26	SPACER																		
	(.249) (Hypoid Axle) H-120 and L-100 Series Axles) (see note 1)	2, 3, 4	-	-	-	-	-	-	-	-	-	-	-	-	-	★	★	-	-
	(.255) (Hypoid Axle) (H-120 and L-100 Series Axles) (see note 1)	2, 3, 4	-	-	-	-	-	-	-	-	-	-	-	-	-	★	★	-	-
	(.261) (Hypoid Axle) (H-120 and L-100 Series Axles) (see note 1)	2, 3, 4	-	-	-	-	-	-	-	-	-	-	-	-	-	★	★	-	-
	(.267) (Hypoid Axle) (H-120 and L-100 Series Axles) (see note 1)	2, 3, 4	-	-	-	-	-	-	-	-	-	-	-	-	-	★	★	-	-
	(.273) (Hypoid Axle) (H-120 and L-100 Series Axles) (see note 1)	2, 3, 4	-	-	-	-	-	-	-	-	-	-	-	-	-	★	★	-	-
	(.155) (Double Reduction and 2 Speed Axles) (H-320, L-200 and L-300 Series Axles) (see note 1)	2, 3, 4	-	-	-	-	-	-	-	-	-	-	-	-	-	★	★	-	-
	(.157) (Double Reduction and 2 Speed Axles) (H-320, L-200 and L-300 Series Axles) (see note 1)	2, 3, 4	-	-	-	-	-	-	-	-	-	-	-	-	-	★	★	-	-
	(.161) (Double Reduction and 2 Speed Axles) (H-320, L-200 and L-300 Series Axles) (see note 1)	2, 3, 4	-	-	-	-	-	-	-	-	-	-	-	-	-	★	★	-	-
	(.165) (Double Reduction and 2 Speed Axles) (H-320, L-200 and L-300 Series Axles) (see note 1)	2, 3, 4	-	-	-	-	-	-	-	-	-	-	-	-	-	★	★	-	-
	(.169) (Double Reduction and 2 Speed Axles) (H-320, L-200 and L-300 Series Axles) (see note 1)	2, 3, 4	-	-	-	-	-	-	-	-	-	-	-	-	-	★	★	-	-
	(.173) (Double Reduction and 2 Speed Axles) (H-320, L-200 and L-300 Series Axles) (see note 1)	2, 3, 4	-	-	-	-	-	-	-	-	-	-	-	-	-	★	★	-	-
	(.175) (Double Reduction and 2 Speed Axles) (H-320, L-200 and L-300 Series Axles) (see note 1)	2, 3, 4	-	-	-	-	-	-	-	-	-	-	-	-	-	★	★	-	-
	(.177) (Double Reduction and 2 Speed Axles) (H-320, L-200 and L-300 Series Axles) (see note 1)	2, 3, 4	-	-	-	-	-	-	-	-	-	-	-	-	-	★	★	-	-
	(.238) (Hypoid Axle)	1	-	-	-	-	-	-	-	-	-	-	-	-	-	★	★	-	-
	(.239) (Hypoid Axle)	1	-	-	-	-	-	-	-	-	-	-	-	-	-	★	★	-	-
	(.240) (Hypoid Axle)	1	-	-	-	-	-	-	-	-	-	-	-	-	-	★	★	-	-
	(.241) (Hypoid Axle)	1	-	-	-	-	-	-	-	-	-	-	-	-	-	★	★	-	-
	(.242) (Hypoid Axle)	1	-	-	-	-	-	-	-	-	-	-	-	-	-	★	★	-	-
	(.243) (Hypoid Axle)	1	-	-	-	-	-	-	-	-	-	-	-	-	-	★	★	-	-
	(.249) (Hypoid Axle)	1	-	-	-	-	-	-	-	-	-	-	-	-	-	★	★	-	-
	(.255) (Hypoid Axle)	1	-	-	-	-	-	-	-	-	-	-	-	-	-	★	★	-	-
	(.261) (Hypoid Axle)	1	-	-	-	-	-	-	-	-	-	-	-	-	-	★	★	-	-
	(.267) (Hypoid Axle)	1	-	-	-	-	-	-	-	-	-	-	-	-	-	★	★	-	-
	(.273) (Hypoid Axle)	1	-	-	-	-	-	-	-	-	-	-	-	-	-	★	★	-	-

★ Indicates use as required.

☐ Indicates parts not listed in any previous parts books.

Series No. (1 indicates B-1 Series) (2 indicates B-2 Series) (3 indicates B-3 Series) (4 indicates B-4 Series)

Where no Series No. is shown part is for B-1, B-2, B-3 and B-4 Series.

December 31, 1952

Prices and specifications subject to change without notice.

CODE	PART NAME AND DESCRIPTION	SERIES NO.	MODEL CODES													PART NO.			
			B	C	D	F	G	H & HH	FM	GM	HM & HHM	J	JM	K	KM		R	T	V
DRIVE PINION BEARING - Cont'd																			
3-22-26	SPACER																		
	(.155) (Double Reduction and 2 Speed Axles)	1	-	-	-	-	-	-	-	-	-	-	-	-	-	-	*	-	-
	(.157) (Double Reduction and 2 Speed Axles)	1	-	-	-	-	-	-	-	-	-	-	-	-	-	-	*	-	-
	(.161) (Double Reduction and 2 Speed Axles)	1	-	-	-	-	-	-	-	-	-	-	-	-	-	-	*	-	-
	(.165) (Double Reduction and 2 Speed Axles)	1	-	-	-	-	-	-	-	-	-	-	-	-	-	-	*	-	-
	(.169) (Double Reduction and 2 Speed Axles)	1	-	-	-	-	-	-	-	-	-	-	-	-	-	-	*	-	-
	(.173) (Double Reduction and 2 Speed Axles)	1	-	-	-	-	-	-	-	-	-	-	-	-	-	-	*	-	-
	(.175) (Double Reduction and 2 Speed Axles)	1	-	-	-	-	-	-	-	-	-	-	-	-	-	-	*	-	-
	(.177) (Double Reduction and 2 Speed Axles)	1	-	-	-	-	-	-	-	-	-	-	-	-	-	-	*	-	-
	(.220) (Hypoid Axle)	1	-	-	-	-	-	-	-	-	-	-	-	-	-	-	*	-	-
	(.221) (Hypoid Axle)	1	-	-	-	-	-	-	-	-	-	-	-	-	-	-	*	-	-
	(.222) (Hypoid Axle)	1	-	-	-	-	-	-	-	-	-	-	-	-	-	-	*	-	-
	(.223) (Hypoid Axle)	1	-	-	-	-	-	-	-	-	-	-	-	-	-	-	*	-	-
	(.224) (Hypoid Axle)	1	-	-	-	-	-	-	-	-	-	-	-	-	-	-	*	-	-
	(.225) (Hypoid Axle)	1	-	-	-	-	-	-	-	-	-	-	-	-	-	-	*	-	-
	(.231) (Hypoid Axle)	1	-	-	-	-	-	-	-	-	-	-	-	-	-	-	*	-	-
	(.237) (Hypoid Axle)	1	-	-	-	-	-	-	-	-	-	-	-	-	-	-	*	-	-
	(.243) (Hypoid Axle)	1	-	-	-	-	-	-	-	-	-	-	-	-	-	-	*	-	-
	(.249) (Hypoid Axle)	1	-	-	-	-	-	-	-	-	-	-	-	-	-	-	*	-	-
	(.255) (Hypoid Axle)	1	-	-	-	-	-	-	-	-	-	-	-	-	-	-	*	-	-
	(.187) (Double Reduction and 2 Speed Axles)	1	-	-	-	-	-	-	-	-	-	-	-	-	-	-	*	-	-
	(.189) (Double Reduction and 2 Speed Axles)	1	-	-	-	-	-	-	-	-	-	-	-	-	-	-	*	-	-
	(.193) (Double Reduction and 2 Speed Axles)	1	-	-	-	-	-	-	-	-	-	-	-	-	-	-	*	-	-
	(.197) (Double Reduction and 2 Speed Axles)	1	-	-	-	-	-	-	-	-	-	-	-	-	-	-	*	-	-
	(.201) (Double Reduction and 2 Speed Axles)	1	-	-	-	-	-	-	-	-	-	-	-	-	-	-	*	-	-
	(.205) (Double Reduction and 2 Speed Axles)	1	-	-	-	-	-	-	-	-	-	-	-	-	-	-	*	-	-
	(.207) (Double Reduction and 2 Speed Axles)	1	-	-	-	-	-	-	-	-	-	-	-	-	-	-	*	-	-
	(.220) (Hypoid Axle) (Q-100 Series Axle) (see note 1)	2, 3, 4	-	-	-	-	-	-	-	-	-	-	-	-	-	-	*	*	-
	(.221) (Hypoid Axle) (Q-100 Series Axle) (see note 1)	2, 3, 4	-	-	-	-	-	-	-	-	-	-	-	-	-	-	*	*	-
	(.222) (Hypoid Axle) (Q-100 Series Axle) (see note 1)	2, 3, 4	-	-	-	-	-	-	-	-	-	-	-	-	-	-	*	*	-
	(.223) (Hypoid Axle) (Q-100 Series Axle) (see note 1)	2, 3, 4	-	-	-	-	-	-	-	-	-	-	-	-	-	-	*	*	-
	(.224) (Hypoid Axles) (Q-100 Series Axles) (see note 1)	2, 3, 4	-	-	-	-	-	-	-	-	-	-	-	-	-	-	*	*	-
	(.225) (Hypoid Axle) (Q-100 Series Axle) (see note 1)	2, 3, 4	-	-	-	-	-	-	-	-	-	-	-	-	-	-	*	*	-
	(.231) (Hypoid Axle) (Q-100 Series Axle) (see note 1)	2, 3, 4	-	-	-	-	-	-	-	-	-	-	-	-	-	-	*	*	-
	(.237) (Hypoid Axle) (Q-100 Series Axles) (see note 1)	2, 3, 4	-	-	-	-	-	-	-	-	-	-	-	-	-	-	*	*	-

★Indicates use as required.

Prices and specifications subject to change without notice.

☐Indicates parts not listed in any previous parts books.

Series No. (1 indicates B-1 Series) (2 indicates B-2 Series) (3 indicates B-3 Series) (4 indicates B-4 Series)

Where no Series No. is shown part is for B-1, B-2, B-3 and B-4 Series.

CODE	PART NAME AND DESCRIPTION	SERIES NO.	MODEL CODES													PART NO.			
			B	C	D	F	G	H & HH	FM	GM	HM & HHM	J	JM	K	KM		R	T	V
DRIVE PINION BEARING - Cont'd																			
3-22-26	SPACER																		
	(.243) (Hypoid Axle) (Q-100 Series Axle) (see note 1)	2, 3, 4	-	-	-	-	-	-	-	-	-	-	-	-	-	-	-	★	★
	(.249) (Hypoid Axle) (Q-100 Series Axle) (see note 1)	2, 3, 4	-	-	-	-	-	-	-	-	-	-	-	-	-	-	-	★	★
	(.255) (Hypoid Axle) (Q-100 Series Axle) (see note 1)	2, 3, 4	-	-	-	-	-	-	-	-	-	-	-	-	-	-	-	★	★
	(.185) (Double Reduction and 2 Speed Axles) (Q-200 and Q-300 Series Axles) (see note 1)	2, 3, 4	-	-	-	-	-	-	-	-	-	-	-	-	-	-	-	★	★
	(.187) (Double Reduction and 2 Speed Axles) (Q-200 and Q-300 Series Axles) (see note 1)	2, 3, 4	-	-	-	-	-	-	-	-	-	-	-	-	-	-	-	★	★
	(.189) (Double Reduction and 2 Speed Axles) (Q-200 and Q-300 Series Axles) (see note 1)	2, 3, 4	-	-	-	-	-	-	-	-	-	-	-	-	-	-	-	★	★
	(.193) (Double Reduction and 2 Speed Axles) (Q-200 and Q-300 Series Axles) (see note 1)	2, 3, 4	-	-	-	-	-	-	-	-	-	-	-	-	-	-	-	★	★
	(.197) (Double Reduction and 2 Speed Axles) (Q-200 and Q-300 Series Axles) (see note 1)	2, 3, 4	-	-	-	-	-	-	-	-	-	-	-	-	-	-	-	★	★
	(.201) (Double Reduction and 2 Speed Axles) (Q-200 and Q-300 Series Axles) (see note 1)	2, 3, 4	-	-	-	-	-	-	-	-	-	-	-	-	-	-	-	★	★
	(.205) (Double Reduction and 2 Speed Axles) (Q-200 and Q-300 Series Axles) (see note 1)	2, 3, 4	-	-	-	-	-	-	-	-	-	-	-	-	-	-	-	★	★
	(.207) (Double Reduction and 2 Speed Axles) (Q-200 and Q-300 Series Axles) (see note 1)	2, 3, 4	-	-	-	-	-	-	-	-	-	-	-	-	-	-	-	★	★
	(.248) (Hypoid Axle) (R-100 Series Axle) (see note 1)	-	-	-	-	-	-	-	-	-	-	-	-	-	-	-	-	★	★
	(.249) (Hypoid Axle) (R-100 Series Axle) (see note 1)	-	-	-	-	-	-	-	-	-	-	-	-	-	-	-	-	★	★
	(.250) (Hypoid Axle) (R-100 Series Axle) (see note 1)	-	-	-	-	-	-	-	-	-	-	-	-	-	-	-	-	★	★
	(.251) (Hypoid Axle) (R-100 Series Axle) (see note 1)	-	-	-	-	-	-	-	-	-	-	-	-	-	-	-	-	★	★
	(.252) (Hypoid Axle) (R-100 Series Axle) (see note 1)	-	-	-	-	-	-	-	-	-	-	-	-	-	-	-	-	★	★
	(.253) (Hypoid Axle) (R-100 Series Axle) (see note 1)	-	-	-	-	-	-	-	-	-	-	-	-	-	-	-	-	★	★
	(.259) (Hypoid Axle) (R-100 Series Axle) (see note 1)	-	-	-	-	-	-	-	-	-	-	-	-	-	-	-	-	★	★
	(.265) (Hypoid Axle) (R-100 Series Axle) (see note 1)	-	-	-	-	-	-	-	-	-	-	-	-	-	-	-	-	★	★
	(.271) (Hypoid Axle) (R-100 Series Axle) (see note 1)	-	-	-	-	-	-	-	-	-	-	-	-	-	-	-	-	★	★
	(.277) (Hypoid Axle) (R-100 Series Axle) (see note 1)	-	-	-	-	-	-	-	-	-	-	-	-	-	-	-	-	★	★
	(.283) (Hypoid Axle) (R-100 Series Axle) (see note 1)	-	-	-	-	-	-	-	-	-	-	-	-	-	-	-	-	★	★
	(.289) (Hypoid Axle) (R-100 Series Axle) (see note 1)	-	-	-	-	-	-	-	-	-	-	-	-	-	-	-	-	★	★
	(.232) (Double Reduction and 2 Speed Axles) (R-200 and R-300 Series Axles) (see note 1)	-	-	-	-	-	-	-	-	-	-	-	-	-	-	-	-	★	★

★ Indicates use as required.

Prices and specifications subject to change without notice.

☐ Indicates parts not listed in any previous parts books.

Series No: (1 indicates B-1 Series) (2 indicates B-2 Series) (3 indicates B-3 Series) (4 indicates B-4 Series)

Where no Series No. is shown part is for B-1, B-2, B-3 and B-4 Series.

CODE	PART NAME AND DESCRIPTION	SERIES NO.	MODEL CODES													PART NO.				
			B	C	D	F	G	H & HH	FM	GM	HM & HHM	J	JM	K	KM		R	T	V	Y
DRIVE PINION BEARING - Cont'd																				
3-22-26	SPACER (.234) (Double Reduction and 2 Speed Axles) (R-200 and R-300 Series Axles) (see note 1)	-	-	-	-	-	-	-	-	-	-	-	-	-	-	-	-	-	★	1268 083
	(.236) (Double Reduction and 2 Speed Axles) (R-200 and R-300 Series Axles) (see note 1)	-	-	-	-	-	-	-	-	-	-	-	-	-	-	-	-	-	★	1268 084
	(.240) (Double Reduction and 2 Speed Axles) (R-200 and R-300 Series Axles) (see note 1)	-	-	-	-	-	-	-	-	-	-	-	-	-	-	-	-	-	★	1268 085
	(.244) (Double Reduction and 2 Speed Axles) (R-200 and R-300 Series Axles) (see note 1)	-	-	-	-	-	-	-	-	-	-	-	-	-	-	-	-	-	★	1268 086
	(.248) (Double Reduction and 2 Speed Axles) (R-200 and R-300 Series Axles) (see note 1)	-	-	-	-	-	-	-	-	-	-	-	-	-	-	-	-	-	★	1268 087
	(.252) (Double Reduction and 2 Speed Axles) (R-200 and R-300 Series Axles) (see note 1)	-	-	-	-	-	-	-	-	-	-	-	-	-	-	-	-	-	★	1268 088
	(.254) (Double Reduction and 2 Speed Axles) (R-200 and R-300 Series Axles) (see note 1)	-	-	-	-	-	-	-	-	-	-	-	-	-	-	-	-	-	★	1268 089
3-22-27	WASHER (rear bearing) (.088)	-	★	★	-	-	-	-	-	-	-	-	-	-	-	-	-	-	-	665 237
	(rear bearing) (.090)	-	★	★	-	-	-	-	-	-	-	-	-	-	-	-	-	-	-	670 109
	(rear bearing) (.090)	-	★	★	-	-	-	-	-	-	-	-	-	-	-	-	-	-	-	670 109
	(rear bearing) (.094)	-	★	★	-	-	-	-	-	-	-	-	-	-	-	-	-	-	-	670 111
	(front bearing)	-	-	-	1	-	-	-	-	-	-	-	-	-	-	-	-	-	-	856 871
	(front bearing) (Hypoid Axle)	-	-	-	-	1	1	1	1	1	1	1	1	-	-	-	-	-	-	587 548
	(2 Speed Axle)	-	-	-	-	1	1	1	1	1	1	1	1	-	-	-	-	-	-	585 585
3-22-28	SHIM, Adjusting (.0125)	-	★	★	-	-	-	-	-	-	-	-	-	-	-	-	-	-	-	303 856
	(.010)	-	★	★	-	-	-	-	-	-	-	-	-	-	-	-	-	-	-	688 739
	(.015)	-	★	★	-	-	-	-	-	-	-	-	-	-	-	-	-	-	-	303 857
	(.018)	-	★	★	-	-	-	-	-	-	-	-	-	-	-	-	-	-	-	688 741
3-22-29	RETAINER, Rear Bearing (Hypoid Axle) (R-100 Series Axle) (see note 1)	2	-	-	-	-	-	-	-	-	-	-	-	-	-	-	-	-	-	1267 715
	(Hypoid Axle) (R-100 Series Axle) (see note 1)	3, 4	-	-	-	-	-	-	-	-	-	-	-	-	-	-	-	-	1	1390 440
3-22-40	OIL SLINGER	-	-	-	1	-	-	-	-	-	-	-	-	-	-	-	-	-	-	866 847
3-22-45	OIL SEAL	-	1	1	-	-	-	-	-	-	-	-	-	-	-	-	-	-	-	1271 104
	(Hypoid Axle)	-	-	-	1	1	1	1	1	1	1	1	1	-	-	-	-	-	-	1271 105
	(2 Speed Axle)	-	-	-	1	1	1	1	1	1	1	1	1	-	-	-	-	-	-	587 541
	(Hypoid Axle)	2, 3, 4	-	-	-	-	-	-	-	-	-	-	-	1	1	-	-	-	-	593 258
	(2 Speed Axle)	1	-	-	-	-	-	-	-	-	-	-	-	1	1	-	-	-	-	1191 888
	(Hypoid Axle)	1	-	-	-	-	-	-	-	-	-	-	-	-	1	-	-	-	-	1390 321
	(Double Reduction and 2 Speed Axles)	1	-	-	-	-	-	-	-	-	-	-	-	-	1	-	-	-	-	1191 888
	(Hypoid Axle) (H-100 Series Axle) (see note 1)	2, 3, 4	-	-	-	-	-	-	-	-	-	-	-	-	1	-	-	-	-	1192 109
	(2 Speed Axle) (H-300 Series Axle) (see note 1)	2, 3, 4	-	-	-	-	-	-	-	-	-	-	-	-	1	-	-	-	-	1191 888
	(Hypoid Axle) (H-120, L-100 and R-100 Series Axles) (see note 1)	2, 3, 4	-	-	-	-	-	-	-	-	-	-	-	-	1	1	-	1	-	1192 109
	(Hypoid Axle)	1	-	-	-	-	-	-	-	-	-	-	-	-	1	1	-	-	-	1090 672
	(Double Reduction and 2 Speed Axles)	1	-	-	-	-	-	-	-	-	-	-	-	-	1	1	-	-	-	1090 672

★ Indicates use as required.

□ Indicates parts not listed in any previous parts books.

Series No. (1 indicates B-1 Series) (2 indicates B-2 Series) (3 indicates B-3 Series) (4 indicates B-4 Series)
Where no Series No. is shown part is for B-1, B-2, B-3 and B-4 Series.

Prices and specifications subject to change without notice.

CODE	PART NAME AND DESCRIPTION	SERIES NO.	MODEL CODES													PART NO.			
			B	C	D	F	G	H & HH	FM	GM	HM & HHM	J	JM	K	KM		R	T	V
DRIVE PINION BEARING - Cont'd																			
3-22-45	OIL SEAL (Hypoid Axle)	1	-	-	-	-	-	-	-	-	-	-	-	-	-	-	1	-	1192 474
	(Double Reduction and 2 Speed Axles) (H-320, L-200, L-300 Q-200, Q-300, R-200 and R-300 Series Axles) (see note 1) . . .	2, 3, 4	-	-	-	-	-	-	-	-	-	-	-	-	-	1	1	1	1192 233
	(Hypoid Axle) (Q-100 Series Axle) (see note 1)	-	-	-	-	-	-	-	-	-	-	-	-	-	-	-	1	1	1192 474
3-22-47	BAFFLE, Rear Bearing Oil	-	-	1	-	-	-	-	-	-	-	-	-	-	-	-	-	-	865 671
3-22-61	SCREW, Rear Bearing Retainer (Hypoid Axle) (R-100 Series Axle) (see note 1)	-	-	-	-	-	-	-	-	-	-	-	-	-	-	-	-	1	1267 716
3-22-62	NUT, Front Bearing Retainer (Hypoid Axle)	-	-	-	1	1	1	1	1	1	1	1	-	-	-	-	-	-	587 557
	Screw, 5/16"-18 x 3/4"	-	-	-	1	1	1	1	1	1	1	1	-	-	-	-	-	-	102 883
3-22-65	RING, Rear Bearing Lock (Hypoid Axle)	-	-	-	-	-	-	-	-	-	-	-	1	1	1	1	-	-	572 557
	(Hypoid Axle)	1	-	-	-	-	-	-	-	-	-	-	-	-	-	-	1	-	1192 471
	(Hypoid Axle) (Q-100 Series Axle) (see note 1)	2, 3, 4	-	-	-	-	-	-	-	-	-	-	-	-	-	-	1	1	1192 471
	Rear Bearing Retainer Lock (Hypoid Axle) (R-100 Series Axle) (see note 1)	3, 4	-	-	-	-	-	-	-	-	-	-	-	-	-	-	-	1	1390 441
3-22-76	WASHER, Oil Seal	1, 2	1	1	1	-	-	-	-	-	-	-	-	-	-	-	-	-	663 604
	(2 Speed Axle)	-	-	-	1	1	1	1	1	1	1	1	-	-	-	-	-	-	585 590
	(2 Speed Axle)	-	-	-	-	-	-	-	-	-	-	-	1	1	-	-	-	-	921 574
3-22-79	RETAINER, Oil Seal Washer (2 Speed Axle)	-	-	-	1	1	1	1	1	1	1	-	-	-	-	-	-	-	585 591
	(2 Speed Axle)	-	-	-	-	-	-	-	-	-	-	1	1	-	-	-	-	-	921 597
3-22-85	MUD SLINGER, Drive Pinion Companion Yoke (2 Speed Axle) .	-	-	-	1	1	1	1	1	1	1	-	-	-	-	-	-	-	585 587
	(2 Speed Axle)	-	-	-	-	-	-	-	-	-	-	1	1	-	-	-	-	-	921 571
3-22-91	NUT, Inner Bearing (2 Speed Axle)	-	-	-	-	-	-	-	-	-	-	1	1	-	-	-	-	-	921 579
3-22-92	LOCK, Inner Bearing Nut (2 Speed Axle)	-	-	-	-	-	-	-	-	-	-	1	1	-	-	-	-	-	921 581
3-22-97	COVER, Front Bearing (Hypoid Axle)	2, 3, 4	-	-	-	-	-	-	-	-	-	1	1	-	-	-	-	-	921 581
	(Hypoid Axle)	1	-	-	-	-	-	-	-	-	-	-	-	1	-	-	-	-	1191 745
	(Hypoid Axle) (H-100 Series Axle) (see note 1)	2, 3, 4	-	-	-	-	-	-	-	-	-	-	-	-	1	-	-	-	1191 745
	(Hypoid Axle) (H-120 and L-100 Series Axles) (see note 1) . . .	2, 3, 4	-	-	-	-	-	-	-	-	-	-	-	1	1	-	-	-	1191 898
	(Hypoid Axle)	1	-	-	-	-	-	-	-	-	-	-	-	-	1	-	-	-	1191 898
	(Hypoid Axle)	1	-	-	-	-	-	-	-	-	-	-	-	-	-	1	-	-	1192 472
	(Hypoid Axle) (Q-100 Series Axle) (see note 1)	2, 3, 4	-	-	-	-	-	-	-	-	-	-	-	-	-	1	1	-	1192 472
	(Hypoid Axle) (R-100 Series Axles) (see note 1)	-	-	-	-	-	-	-	-	-	-	-	-	-	-	-	1	-	1267 732
3-22-103	GASKET, Front Bearing Cover (Hypoid Axle)	2, 3, 4	-	-	-	-	-	-	-	-	-	1	1	-	-	-	-	-	1191 747
	(Hypoid Axle)	1	-	-	-	-	-	-	-	-	-	-	-	1	-	-	-	-	1191 747
	(Hypoid Axle) (H-100 Series Axle) (see note 1)	2, 3, 4	-	-	-	-	-	-	-	-	-	-	-	1	-	-	-	-	1191 747
	(Hypoid Axle) (H-120 and L-100 Series Axles) (see note 1) . . .	2, 3, 4	-	-	-	-	-	-	-	-	-	-	-	1	1	-	-	-	1191 899
	(Hypoid Axle)	1	-	-	-	-	-	-	-	-	-	-	-	-	1	-	-	-	1191 899
	(Hypoid Axle)	1	-	-	-	-	-	-	-	-	-	-	-	-	-	1	-	-	1192 475

★ Indicates use as required.
 □ Indicates parts not listed in any previous parts books.
 Series No. (1 indicates B-1 Series) (2 indicates B-2 Series) (3 indicates B-3 Series) (4 indicates B-4 Series)
 Where no Series No. is shown part is for B-1, B-2, B-3 and B-4 Series.
 December 31, 1952
 Prices and specifications subject to change without notice.
 Page 3-56
 Printed in U.S.A.

CODE	PART NAME AND DESCRIPTION	SERIES NO.	MODEL CODES													PART NO.			
			B	C	D	F	G	H & HH	FM	GM	HM & HHM	J	JM	K	KM		R	T	V
DRIVE PINION BEARING - Cont'd																			
3-22-103	GASKET, Front Bearing Cover (Hypoid Axle) (Q-100 Series Axle) (see note 1)	2, 3, 4	-	-	-	-	-	-	-	-	-	-	-	-	-	-	1	1	1192 475
	(Hypoid Axle) (R-100 Series Axle) (see note 1)	-	-	-	-	-	-	-	-	-	-	-	-	-	-	-	-	1	1267 734
DRIVE PINION BEARING CAGE																			
3-23-1	CAGE (w/CUP) (2 Speed Axle)	-	-	-	1	1	1	1	1	1	1	1	1	1	-	-	-	-	579 005
	Pin, stght.	-	-	-	1	1	1	1	1	1	1	1	1	1	-	-	-	-	103 735
	(Hypoid Axle)	2, 3, 4	-	-	-	-	-	-	-	-	-	-	1	1	-	-	-	-	1191 872
	(Hypoid Axle)	1	-	-	-	-	-	-	-	-	-	-	-	-	1	-	-	-	1191 872
	(Hypoid Axle) (H-100 Series Axle) (see note 1)	2, 3, 4	-	-	-	-	-	-	-	-	-	-	-	-	1	-	-	-	1191 872
	(Hypoid Axle) (H-120 and L-100 Series Axle) (see note 1)	2, 3, 4	-	-	-	-	-	-	-	-	-	-	-	-	1	1	-	-	1191 911
	(w/CUP) (Hypoid Axle)	1	-	-	-	-	-	-	-	-	-	-	-	-	-	-	1	-	1192 428
	(w/CUP) (Hypoid Axle) (Q-100 Series Axle) (see note 1)	2, 3, 4	-	-	-	-	-	-	-	-	-	-	-	-	-	-	1	1	1192 428
	(Hypoid Axle) (R-100 Series Axle) (see note 1)	-	-	-	-	-	-	-	-	-	-	-	-	-	-	-	-	1	1267 723
3-23-5	SHIM																		
	(.002) (2 Speed Axle)	-	-	-	★	★	★	★	★	★	★	★	★	★	-	-	-	-	579 010
	(.003) (2 Speed Axle)	-	-	-	★	★	★	★	★	★	★	★	★	★	-	-	-	-	579 011
	(.010) (2 Speed Axle)	-	-	-	★	★	★	★	★	★	★	★	★	★	-	-	-	-	579 012
	(.030) (2 Speed Axle)	-	-	-	★	★	★	★	★	★	★	★	★	★	-	-	-	-	579 013
	(.003) (Hypoid Axle)	2, 3, 4	-	-	-	-	-	-	-	-	-	-	-	-	-	-	-	-	1191 779
	(.005) (Hypoid Axle)	2, 3, 4	-	-	-	-	-	-	-	-	-	-	-	★	★	-	-	-	1191 780
	(.030) (Hypoid Axle)	2, 3, 4	-	-	-	-	-	-	-	-	-	-	-	★	★	-	-	-	1191 781
	(.003) (Hypoid Axle)	1	-	-	-	-	-	-	-	-	-	-	-	-	★	-	-	-	1191 779
	(.005) (Hypoid Axle)	1	-	-	-	-	-	-	-	-	-	-	-	-	★	-	-	-	1191 780
	(.010) (Hypoid Axle)	1	-	-	-	-	-	-	-	-	-	-	-	-	★	-	-	-	1191 781
	(.003) (Hypoid Axle) (H-100 Series Axle) (see note 1)	2, 3, 4	-	-	-	-	-	-	-	-	-	-	-	-	★	-	-	-	1191 779
	(.005) (Hypoid Axle) (H-100 Series Axle) (see note 1)	2, 3, 4	-	-	-	-	-	-	-	-	-	-	-	-	★	-	-	-	1191 780
	(.010) (Hypoid Axle) (H-100 Series Axle) (see note 1)	2, 3, 4	-	-	-	-	-	-	-	-	-	-	-	-	★	-	-	-	1191 781
	(Hypoid Axle) (H-120 and L-100 Series Axles) (see note 1)	3, 4	-	-	-	-	-	-	-	-	-	-	-	-	1	1	-	-	1274 924
	(.003) (Hypoid Axle) (H-120 and L-100 Series Axles) (see note 1)	2, 3, 4	-	-	-	-	-	-	-	-	-	-	-	-	★	★	-	-	1195 980
	(.005) (Hypoid Axle) (H-120 and L-100 Series Axles) (see note 1)	2, 3, 4	-	-	-	-	-	-	-	-	-	-	-	-	★	★	-	-	1191 919
	(.005) (Hypoid Axle)	1	-	-	-	-	-	-	-	-	-	-	-	-	-	★	-	-	1191 919
	(.005) (Hypoid Axle)	1	-	-	-	-	-	-	-	-	-	-	-	-	-	-	★	-	1192 431
	(.003) (Hypoid Axle) (Q-100 Series Axle) (see note 1)	2, 3, 4	-	-	-	-	-	-	-	-	-	-	-	-	-	-	★	★	1264 138
	(.005) (Hypoid Axle) (Q-100 Series Axle) (see note 1)	2, 3, 4	-	-	-	-	-	-	-	-	-	-	-	-	-	-	★	★	1192 431
	(.003) (Hypoid Axle) (R-100 Series Axle) (see note 1)	-	-	-	-	-	-	-	-	-	-	-	-	-	-	-	-	★	1267 726
	(.005) (Hypoid Axle) (R-100 Series Axle) (see note 1)	-	-	-	-	-	-	-	-	-	-	-	-	-	-	-	-	★	1267 727
3-23-9	WASHER (Hypoid Axle) (R-100 Series Axle) (see note 1)	-	-	-	-	-	-	-	-	-	-	-	-	-	-	-	-	1	1267 730
3-23-14	OIL SEAL (2 Speed Axle)	-	-	-	1	1	1	1	1	1	1	1	1	1	-	-	-	-	579 008

★ Indicates use as required.

☐ Indicates parts not listed in any previous parts books.

Series No. (1 indicates B-1 Series) (2 indicates B-2 Series) (3 indicates B-3 Series) (4 indicates B-4 Series)

Where no Series No. is shown part is for B-1, B-2, B-3 and B-4 Series.

Prices and specifications subject to change without notice.

CODE	PART NAME AND DESCRIPTION	SERIES NO.	MODEL CODES																PART NO.
			B	C	D	F	G	H & HH	FM	GM	HM & HHM	J	JM	K	KM	R	T	V	
DRIVE PINION BEARING CAGE																			
3-23-15	SCREW																		
	(2 Speed Axle)	-	-	-	-	6	6	6	6	6	6	6	6	6	-	-	-	-	579 039
	(Drive Pinion Carrier) (Double Reduction and 2 Speed Axles)	2, 3, 4	-	-	-	-	-	-	-	-	-	-	-	-	6	6	-	-	1267 104
	(Drive Pinion Carrier) (Double Reduction and 2 Speed Axles) (Q-200 and Q-300 Series Axles) (see note 1)	-	-	-	-	-	-	-	-	-	-	-	-	-	-	-	6	6	1264 704
	Washer, lock	-	-	-	6	6	6	6	6	6	6	6	6	6	6	6	6	6	120 898
	(Drive Pinion Carrier) (Double Reduction and 2 Speed Axles) (R-200 and R-300 Series Axles) (see note 1)	-	-	-	-	-	-	-	-	-	-	-	-	-	-	-	-	7	1264 704
	Washer, lock	-	-	-	-	-	-	-	-	-	-	-	-	-	-	-	-	7	120 898
STUD																			
	(Hypoid Axle)	2, 3	-	-	-	-	-	-	-	-	-	-	8	8	-	-	-	-	1192 906
	(Hypoid Axle)	1	-	-	-	-	-	-	-	-	-	-	-	-	8	-	-	-	1192 906
	(Hypoid Axle) (H-100 Series Axle) (see note 1)	2, 3, 4	-	-	-	-	-	-	-	-	-	-	-	-	8	-	-	-	1192 906
	Nut	-	-	-	-	-	-	-	-	-	-	-	8	8	8	-	-	-	120 370
	Washer, lock	-	-	-	-	-	-	-	-	-	-	-	8	8	8	-	-	-	120 383
	(Hypoid Axle) (H-120, L-100 and Q-100 Series Axles) (see note 1)	2, 3, 4	-	-	-	-	-	-	-	-	-	-	-	-	8	8	8	8	1192 434
	Nut	-	-	-	-	-	-	-	-	-	-	-	-	-	8	8	8	8	120 371
	Washer, lock	-	-	-	-	-	-	-	-	-	-	-	-	-	8	8	8	8	120 384
	(Drive Pinion Carrier) (Double Reduction and 2 Speed Axles) (for trucks using bolts see Part Type Code 3-19-7)	1	-	-	-	-	-	-	-	-	-	-	-	-	6	-	-	-	1192 119
	(Drive Pinion Carrier) (Double Reduction and 2 Speed Axles) (for trucks using bolts see Part Type Code 3-19-7)	1	-	-	-	-	-	-	-	-	-	-	-	-	-	6	-	-	1192 231
	(Drive Pinion Carrier) (Double Reduction and 2 Speed Axles) (for trucks using bolts see Part Type Code 3-19-7)	1	-	-	-	-	-	-	-	-	-	-	-	-	-	-	6	-	1192 779
	Nut	-	-	-	-	-	-	-	-	-	-	-	-	-	6	6	6	-	124 634
	Washer, lock	-	-	-	-	-	-	-	-	-	-	-	-	-	6	6	6	-	120 898
	(Hypoid Axle)	1	-	-	-	-	-	-	-	-	-	-	-	-	8	8	-	-	1192 434
	(Hypoid Axle) (R-100 Series Axle) (see note 1)	-	-	-	-	-	-	-	-	-	-	-	-	-	-	-	-	8	1267 731
	Nut	-	-	-	-	-	-	-	-	-	-	-	-	-	8	8	8	-	120 371
	Washer, lock	-	-	-	-	-	-	-	-	-	-	-	-	-	8	8	8	-	120 384
IDLER PINION																			
3-30-1	PINION (2 Speed Axle) (14T.)	-	-	-	-	4	4	4	4	4	4	4	4	-	-	-	-	-	585 713
	(2 Speed Axle) (14T.)	-	-	-	-	-	-	-	-	-	-	-	-	4	4	-	-	-	1193 469
3-30-2	PIN (2 Speed Axle)	-	-	-	-	4	4	4	4	4	4	4	4	-	-	-	-	-	597 107
	(2 Speed Axle)	-	-	-	-	-	-	-	-	-	-	-	4	4	-	-	-	-	921 572
VACUUM SHIFT (2 SPEED AXLE)																			
3-31-1	PLUNGER, Control Valve	-	-	-	-	1	1	1	1	1	1	1	1	1	1	1	1	1	1191 660
3-31-2	SCREEN, Control Valve Plunger	-	-	-	-	1	1	1	1	1	1	1	1	1	1	1	1	1	1191 661
3-31-3	GUIDE, Control Valve Plunger	-	-	-	-	1	1	1	1	1	1	1	1	1	1	1	1	1	1191 662
3-31-4	LOCKWIRE, Control Valve Plunger Guide	-	-	-	-	1	1	1	1	1	1	1	1	1	1	1	1	1	1191 663

★ Indicates use as required.

☐ Indicates parts not listed in any previous parts books.

Series No. (1 indicates B-1 Series) (2 indicates B-2 Series) (3 indicates B-3 Series) (4 indicates B-4 Series)

Where no Series No. is shown part is for B-1, B-2, B-3 and B-4 Series.

December 31, 1952

Prices and specifications subject to change without notice.

Printed in U.S.A.

CODE	PART NAME AND DESCRIPTION	SERIES NO.	MODEL CODES													PART NO.				
			B	C	D	F	G	H&HH	FM	GM	HM & HHM	J	JM	K	KM		R	T	V	Y
VACUUM SHIFT (2 SPEED AXLE) - Cont'd																				
3-31-5	SEAT, Control Valve Plunger Valve	-	-	-	-	1	1	1	1	1	1	1	1	1	1	1	1	1	1	1191 664
3-31-6	Spring, Control Valve Check Valve Ball	-	-	-	-	1	1	1	1	1	1	1	1	1	1	1	1	1	1	1191 667
3-31-7	SEAT, Control Valve Check Valve Ball	-	-	-	-	1	1	1	1	1	1	1	1	1	1	1	1	1	1	1191 668
3-31-8	SPRING, Control Valve Operating Lever	-	-	-	-	1	1	1	1	1	1	1	1	1	1	1	1	1	1	1191 671
	Screw, No. 6-32 x 1/2"	-	-	-	-	1	1	1	1	1	1	1	1	1	1	1	1	1	1	131 899
	Washer, lock	-	-	-	-	1	1	1	1	1	1	1	1	1	1	1	1	1	1	131 044
3-31-9	FILTER, Control Valve Air	-	-	-	-	1	1	1	1	1	1	1	1	1	1	1	1	1	1	1191 672
3-31-12	CAP, Control Valve Check Valve Ball Spring	-	-	-	-	1	1	1	1	1	1	1	1	1	1	1	1	1	1	1262 002
3-31-14	BRACKET, Control Valve Shift Cable Mounting	-	-	-	-	1	1	1	1	1	1	1	1	1	1	1	1	1	1	1191 684
	Bolt, 5/16"-24 x 3/4"	-	-	-	-	1	1	1	1	1	1	1	1	1	1	1	1	1	1	120 741
	Nut	-	-	-	-	1	1	1	1	1	1	1	1	1	1	1	1	1	1	120 368
	Washer, lock	-	-	-	-	1	1	1	1	1	1	1	1	1	1	1	1	1	1	120 214
3-31-15	DIAPHRAGM, Assembly	-	-	-	-	1	1	1	1	1	1	1	1	1	-	-	-	-	-	1191 686
	(see note 2) (also specify 1263 598 Rod Assembly)	1	-	-	-	-	-	-	-	-	-	-	-	-	-	1	1	-	-	1263 594
	(see note 3)	1	-	-	-	-	-	-	-	-	-	-	-	-	-	1	1	-	-	1263 594
	(see note 2) (also specify 1263 599 Rod Assembly)	1	-	-	-	-	-	-	-	-	-	-	-	-	-	-	1	-	-	1263 595
	(see note 3)	2, 3, 4	-	-	-	-	-	-	-	-	-	-	-	-	-	-	1	-	-	1263 595
	Bolt, 3/8"-16 x 1 1/4"	2, 3, 4	-	-	-	-	-	-	-	-	-	-	-	-	-	-	-	4	4	122 145
	Washer, lock	-	-	-	-	-	-	-	-	-	-	-	-	-	-	-	-	4	4	120 382
3-31-16	SNAP RING, Diaphragm Bracket	-	-	-	-	1	1	1	1	1	1	1	1	1	-	-	-	-	-	1191 688
3-31-17	BOOT, Diaphragm Connecting Rod	-	-	-	-	1	1	1	1	1	1	1	1	1	-	-	-	-	-	1191 689
3-31-18	BALL, Control Valve Check Valve	-	-	-	-	1	1	1	1	1	1	1	1	1	1	1	1	1	1	1191 666
3-31-19	BODY, Control Valve Check Valve Ball	-	-	-	-	1	1	1	1	1	1	1	1	1	1	1	1	1	1	1191 665
3-31-20	LEVER, Control Valve Operating Pin, cotter	-	-	-	-	3	3	3	3	3	3	3	3	3	3	3	3	3	3	103 373
3-31-21	PIN, Control Valve Operating Lever Slotted	-	-	-	-	1	1	1	1	1	1	1	1	1	1	1	1	1	1	1191 670
3-31-22	COVER, Control Valve Air Filter Screw, No. 6-32 x 1 1/4"	-	-	-	-	2	2	2	2	2	2	2	2	2	2	2	2	2	2	132 723
	Nut	-	-	-	-	2	2	2	2	2	2	2	2	2	2	2	2	2	2	134 530
	Washer, lock	-	-	-	-	2	2	2	2	2	2	2	2	2	2	2	2	2	2	131 044
3-31-23	SCREEN, Control Valve Air Filter	-	-	-	-	1	1	1	1	1	1	1	1	1	1	1	1	1	1	1191 674
3-31-26	NUT, Control Valve Shift Cable Clamp Screw	-	-	-	-	1	1	1	1	1	1	1	1	1	1	1	1	1	1	1191 685
	Screw, No. 10-24 x 3/4"	-	-	-	-	1	1	1	1	1	1	1	1	1	1	1	1	1	1	120 910
	Washer, lock	-	-	-	-	1	1	1	1	1	1	1	1	1	1	1	1	1	1	120 217
3-31-28	BRACKET, Diaphragm Bolt, 7/16"-14 x 1"	-	-	-	-	4	4	4	4	4	4	4	4	4	4	-	-	-	-	1191 687
	Washer, lock	-	-	-	-	4	4	4	4	4	4	4	4	4	-	-	-	-	-	122 253
	HOSE	1	-	-	-	1	1	1	1	1	1	1	1	1	-	-	-	1	1	1192 853
	(17" long)	2	-	-	-	1	1	-	-	1	1	-	1	-	-	-	1	-	-	1188 055
	(for 6,000, 6,500 and 7,000 lb. springs)	2	-	-	-	-	1	-	-	-	1	-	1	-	-	-	-	-	-	1261 997

★ Indicates use as required.

Prices and specifications subject to change without notice.

☐ Indicates parts not listed in any previous parts books.

Series No. (1 indicates B-1 Series) (2 indicates B-2 Series) (3 indicates B-3 Series) (4 indicates B-4 Series)

Where no Series No. is shown part is for B-1, B-2, B-3 and B-4 Series.

CODE	PART NAME AND DESCRIPTION	SERIES NO.	MODEL CODES													PART NO.			
			B	C	D	F	G	H & HH	FM	GM	HM & HHM	J	JM	K	KM		R	T	V
VACUUM SHIFT (2 SPEED AXLE) - Cont'd																			
3-31-30	HOSE (for use with all except 6,000, 6,500 and 7,000 lb. springs)	2	-	-	-	-	-	1	-	-	-	1	-	1	-	-	-	-	1188 055
	(20" long)	2,3,4	-	-	-	1	1	1	-	1	1	1	1	1	1	1	1	1	1261 997
3-31-31	TUBE, Control Valve to Axle																		1261 997
	Shift Diaphragm (front)		-	-	-	1	1	1	-	1	1	1	1	1	1	1	1	1	1260 719
	(front) (68 1/2" lgh.)		-	-	-	-	-	-	-	1	1	1	1	1	1	1	1	1	1261 337
	(front) (55" lgh.)		-	-	-	-	-	-	-	-	-	-	-	-	-	★	★	★	1261 925
	(rear) (128" W. B.)		-	-	-	1	1	1	-	-	-	-	-	-	-	★	★	★	1269 947
	(rear) (152" W. B.)		-	-	-	1	1	1	-	-	-	-	-	-	-	-	-	-	1196 209
	(rear) (170" W. B.)		-	-	-	1	1	1	-	-	-	-	-	-	-	-	-	-	1196 211
	(rear) (192" W. B.)		-	-	-	1	1	1	-	-	-	-	-	-	-	-	-	-	1196 212
	(rear) (107" W. B.)		-	-	-	-	-	-	-	1	1	1	-	-	-	-	-	-	1196 319
	(rear) (131" W. B.)		-	-	-	-	-	-	-	1	1	1	-	-	-	-	-	-	1196 209
	(rear) (161" W. B.)		-	-	-	-	-	-	-	1	1	1	-	-	-	-	-	-	1196 211
	(rear) (128" W. B.)		-	-	-	-	-	-	-	1	1	1	-	-	-	-	-	-	1196 345
	(rear) (140" W. B.)		-	-	-	-	-	-	-	-	-	-	1	1	-	-	-	-	1196 209
	(rear) (152" W. B.)		-	-	-	-	-	-	-	-	-	1	1	-	-	-	-	-	1196 210
	(rear) (170" W. B.)		-	-	-	-	-	-	-	-	-	1	1	-	-	-	-	-	1196 211
	(rear) (212" W. B.)		-	-	-	-	-	-	-	-	-	1	1	-	-	-	-	-	1196 212
	(rear) (107" W. B.)		-	-	-	-	-	-	-	-	-	1	1	-	-	-	-	-	1196 213
	(rear) (131" W. B.)		-	-	-	-	-	-	-	-	-	1	1	-	-	-	-	-	1196 209
	(rear) (161" W. B.)		-	-	-	-	-	-	-	-	-	1	1	-	-	-	-	-	1196 211
	(rear) (130" W. B.)		-	-	-	-	-	-	-	-	-	-	-	1	1	-	-	-	1196 345
	(rear) (136" W. B.)		-	-	-	-	-	-	-	-	-	-	-	1	1	1	1	1	1196 614
	(rear) (142" W. B.)		-	-	-	-	-	-	-	-	-	-	-	1	1	1	1	1	1196 615
	(rear) (154" W. B.)		-	-	-	-	-	-	-	-	-	-	-	1	1	1	1	1	1269 948
	(rear) (172" W. B.)		-	-	-	-	-	-	-	-	-	-	-	1	1	1	1	1	1196 616
	(rear) (229" W. B.)		-	-	-	-	-	-	-	-	-	-	-	1	1	1	1	1	1196 617
	(rear) (190" W. B.)		-	-	-	-	-	-	-	-	-	-	-	1	-	-	-	-	1196 618
	Nut		-	-	-	4	4	4	4	4	4	4	4	4	4	4	4	4	1196 619
	Union		-	-	-	1	1	1	1	1	1	1	1	1	1	1	1	1	137 401
3-31-32	GASKET, Diaphragm		-	-	-	1	1	1	1	1	1	1	1	1	1	1	1	1	137 417
	Bracket		-	-	-	-	-	-	-	-	-	-	-	-	-	1	1	1	1190 693
3-31-33	SLEEVE, Diaphragm	1	-	-	-	-	-	-	-	-	-	-	-	-	-	-	-	-	1192 789
	(H-300 Series Axle) (see note 1)	2,3,4	-	-	-	-	-	-	-	-	-	-	-	-	-	-	-	-	1190 697
	(H-320 and L-300 Series Axles)		-	-	-	-	-	-	-	-	-	-	-	-	-	1	-	-	1190 697
	(see note 1)	2,3,4	-	-	-	-	-	-	-	-	-	-	-	-	1	1	-	-	1263 688
3-31-34	STUD, Diaphragm Sleeve	1	-	-	-	-	-	-	-	-	-	-	-	-	-	1	-	-	1263 688
	Nut	1	-	-	-	-	-	-	-	-	-	-	-	-	-	1	-	-	1190 698
	Washer, lock		-	-	-	-	-	-	-	-	-	-	-	-	-	1	1	-	1192 310
3-31-35	STUD, Diaphragm	1	-	-	-	-	-	-	-	-	-	-	-	-	2	-	-	-	120 369
	(H-300 Series Axles) (see note 1)	2,3,4	-	-	-	-	-	-	-	-	-	-	-	-	2	-	-	-	120 382
	(H-320 and L-300 Series Axle)		-	-	-	-	-	-	-	-	-	-	-	-	2	-	-	-	1190 699
	(see note 1)	2,3,4	-	-	-	-	-	-	-	-	-	-	-	-	2	2	-	-	1192 311
	Nut	1	-	-	-	-	-	-	-	-	-	-	-	-	-	2	2	-	1192 311
	Washer, lock		-	-	-	-	-	-	-	-	-	-	-	-	-	-	2	2	1192 857
3-31-36	BUSHING, Diaphragm Bracket		-	-	-	-	-	-	-	-	-	-	-	-	2	2	2	2	120 369
3-31-38	SHIM, Diaphragm (.003)		-	-	-	-	-	-	-	-	-	-	-	-	-	-	2	2	1192 856
	(.005)		-	-	-	-	-	-	-	-	-	-	-	-	★	★	-	-	1190 694
	(.010)		-	-	-	-	-	-	-	-	-	-	-	-	★	★	-	-	1190 695
	(.030)		-	-	-	-	-	-	-	-	-	-	-	-	★	★	-	-	1190 696
			-	-	-	-	-	-	-	-	-	-	-	-	-	-	-	-	1263 864

★Indicates use as required.

☐Indicates parts not listed in any previous parts books.

Series No. (1 indicates B-1 Series) (2 indicates B-2 Series) (3 indicates B-3 Series) (4 indicates B-4 Series)

Where no Series No. is shown part is for B-1, B-2, B-3 and B-4 Series.

December 31, 1952

Prices and specifications subject to change without notice.

CODE	PART NAME AND DESCRIPTION	SERIES NO.	MODEL CODES													PART NO.					
			B	C	D	F	G	H & HH	FM	GM	HM & HHM	J	JM	K	KM		R	T	V	Y	
VACUUM SHIFT (2 SPEED AXLE) - Cont'd																					
3-31-38	SHIM, Diaphragm (.005)	2,3,4	-	-	-	-	-	-	-	-	-	-	-	-	-	-	-	★	★	1263 604	
	(.031)	2,3,4	-	-	-	-	-	-	-	-	-	-	-	-	-	-	-	★	★	1263 606	
	SPACER, Diaphragm		-	-	-	-	-	-	-	-	-	-	-	-	-	-	-	1	1	1192 855	
3-31-39	BRACKET, Control Valve Mounting		-	-	-	★	★	★	★	★	★	★	★	★	★	★	★	★	★	1188 058	
	Bolt, 5/16"-18 x 3/4"		-	-	-	★	★	★	★	★	★	★	★	★	★	★	★	★	★	122 007	
	Bolt, 5/16"-24 x 1"		-	-	-	★	★	★	★	★	★	★	★	★	★	★	★	★	★	121 661	
	Nut		-	-	-	★	★	★	★	★	★	★	★	★	★	★	★	★	★	120 368	
	Washer, lock		-	-	-	★	★	★	★	★	★	★	★	★	★	★	★	★	★	120 214	
3-31-40	VALVE, Control		-	-	-	1	1	1	1	1	1	1	1	1	1	1	1	1	1	1188 059	
	Bolt, 3/8"-24 x 3/4"		-	-	-	1	1	1	1	1	1	1	1	1	1	1	1	1	1	123 520	
	Washer, lock		-	-	-	1	1	1	1	1	1	1	1	1	1	1	1	1	1	102 382	
	Elbow		-	-	-	1	1	1	1	1	1	1	1	1	1	1	1	1	1	137 425	
	Connector (speedometer adapter tube)		-	-	-	1	1	1	1	1	1	1	1	1	★	★	★	★	★	431 537	
	Elbow (speedometer adapter tube)		-	-	-	-	-	-	-	-	-	-	-	-	★	★	★	★	★	137 420	
	SCREW, Control Valve to Dash (RHD.)		-	-	-	★	★	★	-	-	★	-	★	-	-	-	-	-	-	1096 643	
3-31-42	CABLE, Control Valve Shift		-	-	-	1	1	1	1	1	1	1	1	1	1	1	1	1	1	1262 101	
	Pin, cotter		-	-	-	1	1	1	1	1	1	1	1	1	1	1	1	1	1	103 373	
3-31-45	CLIP, Control Valve Cable		-	-	-	1	1	1	1	1	1	1	1	1	1	1	1	1	1	860 174	
	Bolt, 1/4"-28 x 1"		-	-	-	1	1	1	1	1	1	1	1	1	1	1	1	1	1	123 461	
	Nut		-	-	-	1	1	1	1	1	1	1	1	1	1	1	1	1	1	120 520	
	Washer, lock		-	-	-	1	1	1	1	1	1	1	1	1	1	1	1	1	1	123 461	
3-31-46	CLIP, Control Valve to Axle Shift Diaphragm Tube		-	-	-	★	★	★	★	★	★	★	★	★	★	★	★	★	★	1090 949	
	Bolt, 1/4"-28 x 1"		-	-	-	★	★	★	★	★	★	★	★	★	★	★	★	★	★	1263 079	
	Bolt, 5/16"-18 x 5/8"		-	-	-	★	★	★	★	★	★	★	★	★	★	★	★	★	★	123 461	
	Nut		-	-	-	★	★	★	★	★	★	★	★	★	★	★	★	★	★	120 228	
	Washer, plain		-	-	-	★	★	★	★	★	★	★	★	★	★	★	★	★	★	120 367	
	Washer, lock		-	-	-	★	★	★	★	★	★	★	★	★	★	★	★	★	★	120 392	
3-31-48	CLAMP, Hose		-	-	-	1	1	1	1	1	1	1	1	1	1	1	1	1	1	1188 056	
	Nut		-	-	-	1	1	1	1	1	1	1	1	1	1	1	1	1	1	120 368	
	Washer, lock		-	-	-	1	1	1	1	1	1	1	1	1	1	1	1	1	1	120 214	
3-31-50	SHAFT, Diaphragm Bracket Bell Crank		-	-	-	-	-	-	-	-	-	-	-	-	-	-	-	-	1	1	1192 858
3-31-51	BELL CRANK, Diaphragm Bracket		-	-	-	-	-	-	-	-	-	-	-	-	-	-	-	-	1	1	1192 859
3-31-53	TUBE, Manifold to Vacuum Shift Control Valve		-	-	-	1	1	1	-	-	-	1	-	1	-	-	-	-	-	1196 717	
	Connector (Air Brakes)		-	-	-	-	-	-	-	-	-	-	-	-	-	-	-	-	-	1261 349	
	Nut		-	-	-	-	-	-	-	-	-	-	-	-	-	-	-	-	-	1261 926	
	GASKET, Control Valve to Axle Shift Diaphragm Tube		-	-	-	4	4	4	4	4	4	4	4	4	4	4	4	4	4	1193 156	
3-31-59	PLUG, Manifold to Vacuum Shift Control Valve Tee (w/Booster Brakes)		-	-	-	1	1	★	1	1	★	-	-	-	-	-	-	-	-	1260 718	
3-31-61	SHELL, Diaphragm Rear (see note 2)	1	-	-	-	-	-	-	-	-	-	-	-	-	-	1	1	1	-	1195 025	
	Screw, No. 10 - 24 x 7/8"		-	-	-	-	-	-	-	-	-	-	-	-	-	12	12	12	-	132 056	
	Nut		-	-	-	-	-	-	-	-	-	-	-	-	-	12	12	12	-	144 562	
3-31-62	SPRING, Diaphragm Return (see note 2)	1	-	-	-	-	-	-	-	-	-	-	-	-	-	1	1	1	-	1195 024	
3-31-63	PLATE, Diaphragm (see note 2)	1	-	-	-	-	-	-	-	-	-	-	-	-	-	2	2	2	-	1195 026	

★ Indicates use as required.

Prices and specifications subject to change without notice.

☐ Indicates parts not listed in any previous parts books.

Series No. (1 indicates B-1 Series) (2 indicates B-2 Series) (3 indicates B-3 Series) (4 indicates B-4 Series)

Where no Series No. is shown part is for B-1, B-2, B-3 and B-4 Series.

CODE	PART NAME AND DESCRIPTION	SERIES NO.	MODEL CODES														PART NO.				
			B	C	D	F	G	H&HH	FM	GM	HM & HHM	J	JM	K	KM	R		T	V	Y	
VACUUM SHIFT (2 SPEED AXLE) - Cont'd																					
3-31-64	ROD, Diaphragm Piston or Push	-																			1195 020
	Push, Assembly (see note 2)	1																			1263 598
		2, 3, 4																			1263 598
	Piston or Push	-																	1	1	1195 012
	Push, Assembly (see note 2)	1																			1263 599
		2, 3, 4																			1263 599
3-31-65	SEAL, Diaphragm Piston or Push Rod	1																			1195 133
3-31-67	BOLT, Diaphragm Push Rod (see note 2)	1																			1195 016
	Nut	1																			124 634
	(see note 3)	1																			1263 867
		2, 3, 4																			1263 867
3-31-68	SPACER, Diaphragm Piston Rod	-																			
	Bolt (Short) (see note 2)	1																			1195 017
	(long) (see note 2)	1																			1195 018
3-31-69	SPRING, Diaphragm Piston Rod	-																			
	Bolt (see note 2)	1																			1195 019
3-31-70	WASHER, Diaphragm Piston Rod	-																			
	Bolt (see note 2)	1																			1195 021
3-31-71	RING, Diaphragm Piston Rod (see note 2)	1																			1195 015
	SNAP RING, Diaphragm Push Rod (see note 3)	1																			1263 866
		2, 3, 4																			1263 866
3-31-72	DIAPHRAGM	-																			1195 022
3-31-73	GASKET, Manifold to Vacuum Shift Control Valve Tube	-																			
3-31-74	TEE, Manifold to Vacuum Shift Control Valve Tube (w/o Booster Brake)	-																			1193 156
		-																			
		-																			1188 062
3-31-76	LOCKWIRE, Diaphragm Connecting Rod Boot	-																			143 486
3-31-78	NUT, Diaphragm Push Rod Lock (see note 3)	1																			586 050
		2, 3, 4																			1263 597
3-31-79	SEAL, Diaphragm Sleeve	-																			1263 597
3-31-80	PLUG, Diaphragm Button (see note 3)	1																			1263 689
		2, 3, 4																			1263 596
		-																			1263 596
DRIVE SHAFT																					
3-32-1	SHAFT	-																			
	(32 3/4" long)	1, 2, 3	2	2																	*1193 503
	(32 3/4" long, 10 splines) (use with 1092 041 differential case)	4	2	2																	*1193 503
	(32 3/4" long, 16 splines) (use with 1327 882 differential case)	4	2	2																	E1393 887
	(36 15/32" long)	-																			1194 067
	(35 29/32" long) (Hypoid Axle)	1																			1194 483
	(35 29/32" long) (Hypoid and Standard 1350 Series Axles) (see note 1)	2																			1194 483
	(35 29/32" long)	3, 4																			1194 483
	(37 3/32" long) (Hypoid Axles)	-																			1194 486
	(37 3/32" long) (2 Speed Axle)	1																			1194 486
	(37 3/32" long) (Heavy Duty 1350 Series 2 Speed Axle) (see note 1)	2																			1194 486
	(37 3/32" long)	3, 4																			1194 486

*Indicates use as required.

ⓁIndicates parts not listed in any previous parts books.

Series No. (1 indicates B-1 Series) (2 indicates B-2 Series) (3 indicates B-3 Series) (4 indicates B-4 Series)

Where no Series No. is shown part is for B-1, B-2, B-3 and B-4 Series.

April 6, 1953 Supersedes Dec. 31, 1952.

Prices and specifications subject to change without notice.

Printed in U.S.A.

* Indicates change or addition.

CODE	PART NAME AND DESCRIPTION	SERIES NO.	MODEL CODES													PART NO.				
			B	C	D	F	G	H & HH	FM	GM	HM & HHM	J	JM	K	KM		R	T	V	Y
DRIVE SHAFT - Cont'd																				
3-32-1	SHAFT (Hypoid Axle)	2, 3	-	-	-	-	-	-	-	-	-	-	-	-	2	2	-	-	-	1269 394
	(37 9/32" long) (2 Speed Axle) . .	-	-	-	-	-	-	-	-	-	-	-	-	-	2	2	-	-	-	1196 202
	(38 3/16" long)	1	-	-	-	-	-	-	-	-	-	-	-	-	-	-	2	-	-	1191 795
	(38 3/16" long) (H-100 and H-300 Series Axles) (see note 1)	2, 3, 4	-	-	-	-	-	-	-	-	-	-	-	-	-	-	2	-	-	1191 795
	(38 1/16" long) (H-120 and H-320 Series Axles) (see note 1)	2, 3, 4	-	-	-	-	-	-	-	-	-	-	-	-	-	-	2	-	-	1265 606
	(40 1/4" long)	-	-	-	-	-	-	-	-	-	-	-	-	-	-	-	-	2	-	1191 908
	(40 3/32" long)	1	-	-	-	-	-	-	-	-	-	-	-	-	-	-	-	-	2	1192 576
	(40 3/32" long) (Q-100, Q-200 and Q-300 Series Axles) (see note 1)	2, 3, 4	-	-	-	-	-	-	-	-	-	-	-	-	-	-	-	-	2	2 1192 576
	(40 9/16" long) (R-100, R-200 and R-300 Series Axles) (see note 1)	-	-	-	-	-	-	-	-	-	-	-	-	-	-	-	-	-	-	2 1267 750
3-32-4	KEY	-	2	2	-	-	-	-	-	-	-	-	-	-	-	-	-	-	-	1118 149
3-32-5	NUT	-	2	2	-	-	-	-	-	-	-	-	-	-	-	-	-	-	-	53 553
	Pin, cotter	-	2	2	-	-	-	-	-	-	-	-	-	-	-	-	-	-	-	103 399
3-32-6	WASHER, Nut	-	2	2	-	-	-	-	-	-	-	-	-	-	-	-	-	-	-	50 652
3-32-8	BLOCK, Thrust	-	1	1	-	-	-	-	-	-	-	-	-	-	-	-	-	-	-	1092 048
	Differential Pinion Shaft	-	1	1	-	-	-	-	-	-	-	-	-	-	-	-	-	-	-	1092 047
		-	-	-	1	-	-	-	-	-	-	-	-	-	-	-	-	-	-	927 840
DRIVE SHAFT BEARING																				
3-33-1	CONE and ROLLERS	-	2	2	-	-	-	-	-	-	-	-	-	-	-	-	-	-	-	1188 716
3-33-2	CUP	-	2	2	-	-	-	-	-	-	-	-	-	-	-	-	-	-	-	1188 715
3-33-4	SHIM (.0125)	-	★	★	-	-	-	-	-	-	-	-	-	-	-	-	-	-	-	681 320
	(.005)	-	★	★	-	-	-	-	-	-	-	-	-	-	-	-	-	-	-	1137 203
	(.030)	-	★	★	-	-	-	-	-	-	-	-	-	-	-	-	-	-	-	681 322
3-33-24	PLUG, Oil Hole	-	2	2	-	-	-	-	-	-	-	-	-	-	-	-	-	-	-	697 323
DRIVE SHAFT OIL SEAL																				
3-35-14	OIL SEAL (B-1-B up to serial No. 82068925; B-1-C up to serial No. 83318900) (inner) . . .	1	2	2	-	-	-	-	-	-	-	-	-	-	-	-	-	-	-	1126 007
	(B-1-B after serial No. 82068925; B-1-C after serial No. 83318900) (inner)	1	2	2	-	-	-	-	-	-	-	-	-	-	-	-	-	-	-	1139 897
	(inner)	2, 3, 4	2	2	-	-	-	-	-	-	-	-	-	-	-	-	-	-	-	1139 897
	(outer)	-	2	2	-	-	-	-	-	-	-	-	-	-	-	-	-	-	-	1117 814
DRIVE SHAFT FLANGE																				
3-36-1	GASKET	-	-	-	2	-	-	-	-	-	-	-	-	-	-	-	-	-	-	915 565
		-	-	-	-	2	2	2	2	2	2	2	2	2	2	2	2	2	2	565 911
		-	-	-	-	-	-	-	-	-	-	-	-	-	-	-	-	4	-	1191 796
		-	-	-	-	-	-	-	-	-	-	-	-	-	-	-	-	4	-	1191 909
		1	-	-	-	-	-	-	-	-	-	-	-	-	-	-	-	-	4	1192 577
	(Q-100, Q-200 and Q-300 Series Axles) (see note 1)	2, 3, 4	-	-	-	-	-	-	-	-	-	-	-	-	-	-	-	-	4	4 1192 577
	(R-100, R-200 and R-300 Series Axles) (see note 1).	-	-	-	-	-	-	-	-	-	-	-	-	-	-	-	-	-	-	4 1267 751

★ Indicates use as required.

Prices and specifications subject to change without notice.

☐ Indicates parts not listed in any previous parts books.

Series No. (1 indicates B-1 Series) (2 indicates B-2 Series) (3 indicates B-3 Series) (4 indicates B-4 Series)

Where no Series No. is shown part is for B-1, B-2, B-3 and B-4 Series.

CODE	PART NAME AND DESCRIPTION	SERIES NO.	MODEL CODES													PART NO.			
			B	C	D	F	G	H & HH	FM	GM	HM & HHM	J	JM	K	KM		R	T	V
DRIVE SHAFT FLANGE - Cont'd																			
3-36-2	STUD	1	-	-	12	-	-	-	-	-	-	-	-	-	-	-	-	-	916 414
	Nut	1	-	-	12	-	-	-	-	-	-	-	-	-	-	-	-	-	120 369
	Washer, lock	1	-	-	12	-	-	-	-	-	-	-	-	-	-	-	-	-	120 382
			-	-	16	16	16	16	16	16	16	16	16	16	16	16	16	16	912 435
		1	-	-	-	-	-	-	-	-	-	-	-	-	16	-	-	-	1090 620
	(Q-100, Q-200 and Q-300 Series Axles) (see note 1)	2, 3, 4	-	-	-	-	-	-	-	-	-	-	-	-	-	-	24	-	1090 620
	Nut	1	-	-	-	-	-	-	-	-	-	-	-	-	-	-	24	24	120 371
	Washer, lock	1	-	-	-	-	-	-	-	-	-	-	-	-	16	-	24	24	135 629
	Washer, lock	1	-	-	-	-	-	-	-	-	-	-	-	-	16	-	12	12	120 384
	Nut	1	-	-	-	-	-	-	-	-	-	-	-	-	-	-	24	-	1191 910
	Washer, lock	1	-	-	-	-	-	-	-	-	-	-	-	-	-	-	24	-	120 370
	(R-100, R-200 and R-300 Series Axles) (see note 1) (use with disc wheels)	1	-	-	-	-	-	-	-	-	-	-	-	-	-	-	24	-	136 857
	(R-100, R-200 and R-300 Series Axles) (see note 1) (use with steel spoke wheels)	1	-	-	-	-	-	-	-	-	-	-	-	-	-	-	-	16	1267 527
	Nut	1	-	-	-	-	-	-	-	-	-	-	-	-	-	-	-	16	1270 876
	Washer, lock	1	-	-	-	-	-	-	-	-	-	-	-	-	-	-	-	16	121 358
3-36-4	NUT, Stud	1	-	-	16	16	16	16	16	16	16	16	16	16	16	16	16	16	138 502
	Washer, lock	1	-	-	16	16	16	16	16	16	16	16	16	16	16	16	16	16	601 014
3-36-8	DOWEL	1	-	-	-	-	-	-	-	-	-	-	-	-	-	-	-	-	120 383
		1	-	-	-	-	-	-	-	-	-	-	-	-	-	-	24	-	1191 797
	(Q Series Axles) (see note 1)	2, 3, 4	-	-	-	-	-	-	-	-	-	-	-	-	-	-	-	12	-
	(R Series Axles) (see note 1)	1	-	-	-	-	-	-	-	-	-	-	-	-	-	-	-	12	12
		1	-	-	-	-	-	-	-	-	-	-	-	-	-	-	-	-	16
		1	-	-	-	-	-	-	-	-	-	-	-	-	-	-	-	-	1267 752
SHIFTER FORK (2 SPEED AXLE)																			
3-46-1	FORK	1	-	-	-	-	-	-	-	-	-	-	-	-	-	-	-	-	1190 700
	(H-300 Series Axle) (see note 1)	2, 3, 4	-	-	-	-	-	-	-	-	-	-	-	-	-	-	-	-	1190 700
	(H-320 and L-300 Series Axles) (see note 1)	2, 3, 4	-	-	-	-	-	-	-	-	-	-	-	-	-	-	-	-	1192 312
		1	-	-	-	-	-	-	-	-	-	-	-	-	-	-	-	-	1192 312
	(Q-300 Series Axle) (see note 1)	2, 3, 4	-	-	-	-	-	-	-	-	-	-	-	-	-	-	-	1	1192 861
	(R-300 Series Axle) (see note 1)	1	-	-	-	-	-	-	-	-	-	-	-	-	-	-	-	1	1192 861
3-46-2	SCREW	1	-	-	-	-	-	-	-	-	-	-	-	-	-	-	-	1	1268 579
	Nut	1	-	-	-	-	-	-	-	-	-	-	-	-	1	1	-	-	1190 711
		1	-	-	-	-	-	-	-	-	-	-	-	-	1	1	-	-	120 370
	Nut	1	-	-	-	-	-	-	-	-	-	-	-	-	-	-	-	1	1192 865
3-46-7	SHAFT	1	-	-	-	-	-	-	-	-	-	-	-	-	-	-	-	1	120 369
	(Q-300 Series Axle) (see note 1)	2, 3, 4	-	-	-	-	-	-	-	-	-	-	-	-	-	-	-	1	1192 862
	(R-300 Series Axle) (see note 1)	1	-	-	-	-	-	-	-	-	-	-	-	-	-	-	-	1	1192 862
3-46-9	BUSHING, Shaft (inner)	1	-	-	-	-	-	-	-	-	-	-	-	-	-	-	-	1	1268 580
	(outer)	1	-	-	-	-	-	-	-	-	-	-	-	-	-	-	-	1	1192 863
3-46-10	SCREW, Stop	1	-	-	-	-	-	-	-	-	-	-	-	-	-	-	-	1	1192 864
	(Q-300 Series Axle) (see note 1)	2, 3, 4	-	-	-	-	-	-	-	-	-	-	-	-	-	-	-	2	1192 886
	(R-300 Series Axle) (see note 1)	1	-	-	-	-	-	-	-	-	-	-	-	-	-	-	-	2	1192 886
3-46-11	NUT, Stop Screw Lock	1	-	-	-	-	-	-	-	-	-	-	-	-	-	-	-	2	1268 581
		1	-	-	-	-	-	-	-	-	-	-	-	-	-	-	-	2	1192 866

★ Indicates use as required.
 □ Indicates parts not listed in any previous parts books.
 Series No. (1 indicates B-1 Series) (2 indicates B-2 Series) (3 indicates B-3 Series) (4 indicates B-4 Series)
 Where no Series No. is shown part is for B-1, B-2, B-3 and B-4 Series.
 December 31, 1952

Prices and specifications subject to change without notice.

Page 3-64

Printed in U.S.A.

CODE	PART NAME AND DESCRIPTION	SERIES NO.	MODEL CODES														PART NO.		
			B	C	D	F	G	H & HH	FM	GM	HM & HHM	J	JM	K	KM	R		T	V
CLUTCH PLATE (2 SPEED AXLE)																			
3-48-14	PLATE, High Speed.	-	-	-	-	1	1	1	1	1	1	1	1	-	-	-	-	-	-
														1	1	-	-	-	-
3-48-15	DOWEL, High Speed Plate	-	-	-	-	4	4	4	4	4	4	4	4	-	-	-	-	-	-
														4	4	-	-	-	-
3-48-16	WASHER, High Speed Plate Thrust	-	-	-	-	1	1	1	1	1	1	1	1	-	-	-	-	-	-
														1	1	-	-	-	-
SLIDING CLUTCH SHAFT (2 SPEED AXLE)																			
3-49-2	SHAFT	-	-	-	-	1	1	1	1	1	1	1	1	-	-	-	-	-	-
	Plug	-	-	-	-	1	1	1	1	1	1	1	1	1	1	-	-	-	-
3-49-6	WASHER, Dust	-	-	-	-	1	1	1	1	1	1	1	1	1	1	-	-	-	-
3-49-7	RETAINER, Dust Washer.	-	-	-	-	1	1	1	1	1	1	1	1	1	1	-	-	-	-
3-49-8	SEAL, Dust Washer Retainer	-	-	-	-	1	1	1	1	1	1	1	1	1	1	-	-	-	-
3-49-9	PIN, Diaphragm to Sliding Clutch Shaft Clevis	-	-	-	-	1	1	1	1	1	1	1	1	1	1	-	-	-	-
	Pin, cotter	-	-	-	-	1	1	1	1	1	1	1	1	1	1	-	-	-	-
SLIDING CLUTCH GEAR (2 SPEED AXLE)																			
3-50-1	GEAR (18-20T.)	-	-	-	-	1	1	1	1	1	1	1	1	-	-	-	-	-	-
	(18-20T.)	-	-	-	-	-	-	-	-	-	-	-	-	1	1	-	-	-	-
SLIDING CLUTCH SHIFTER FORK (2 SPEED AXLE)																			
3-51-2	FORK	1, 2	-	-	-	1	1	1	1	1	1	1	1	-	-	-	-	-	-
	(w/1188129 and 1188600																		
	Differential, w/Carrier)	3	-	-	-	1	1	1	1	1	1	1	1	-	-	-	-	-	-
	(w/1390422 and 1390423																		
	Differential, w/Carrier).	3	-	-	-	1	1	1	1	1	1	1	1	-	-	-	-	-	-
		4	-	-	-	1	1	1	1	1	1	1	1	-	-	-	-	-	-
3-51-3	ROLLER	-	-	-	-	2	2	2	2	2	2	2	2	2	2	-	-	-	-
3-51-4	PIN	-	-	-	-	2	2	2	2	2	2	2	2	2	2	-	-	-	-
3-51-19	COVER, Hole	1, 2	-	-	-	1	1	1	1	1	1	1	1	-	-	-	-	-	-
	(w/1188129 and 1188600																		
	Differential, w/Carrier).	3	-	-	-	1	1	1	1	1	1	1	1	-	-	-	-	-	-
	(w/1390422 and 1390423																		
	Differential, w/Carrier).	3	-	-	-	1	1	1	1	1	1	1	1	-	-	-	-	-	-
		4	-	-	-	1	1	1	1	1	1	1	1	-	-	-	-	-	-
3-51-20	GASKET, Hole Cover.	-	-	-	-	1	1	1	1	1	1	1	1	1	1	-	-	-	-
3-51-22	SCREW, Hole Cover (special)	-	-	-	-	1	1	1	1	1	1	1	1	1	1	-	-	-	-
						3	3	3	3	3	3	3	3	3	3	-	-	-	-
	Washer, lock.	-	-	-	-	4	4	4	4	4	4	4	4	4	4	-	-	-	-

NOTES

★Indicates use as required.

Prices and specifications subject to change without notice.

☐Indicates parts not listed in any previous parts books.

Series No. (1 indicates B-1 Series) (2 indicates B-2 Series) (3 indicates B-3 Series) (4 indicates B-4 Series)

Where no Series No. is shown part is for B-1, B-2, B-3 and B-4 Series.

