

GROUP 22 - WHEELS

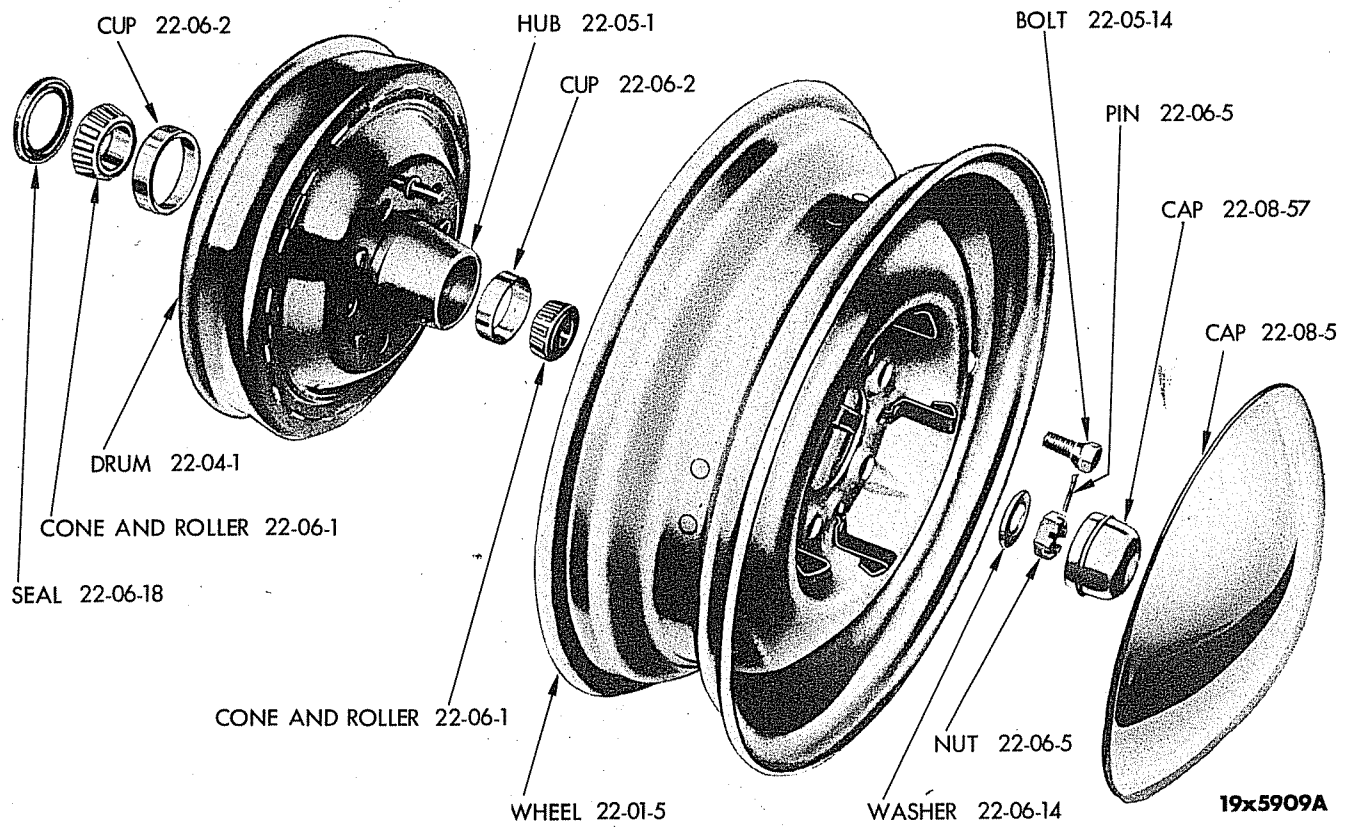


Plate 22-1

FRONT WHEEL (EXPLODED VIEW)

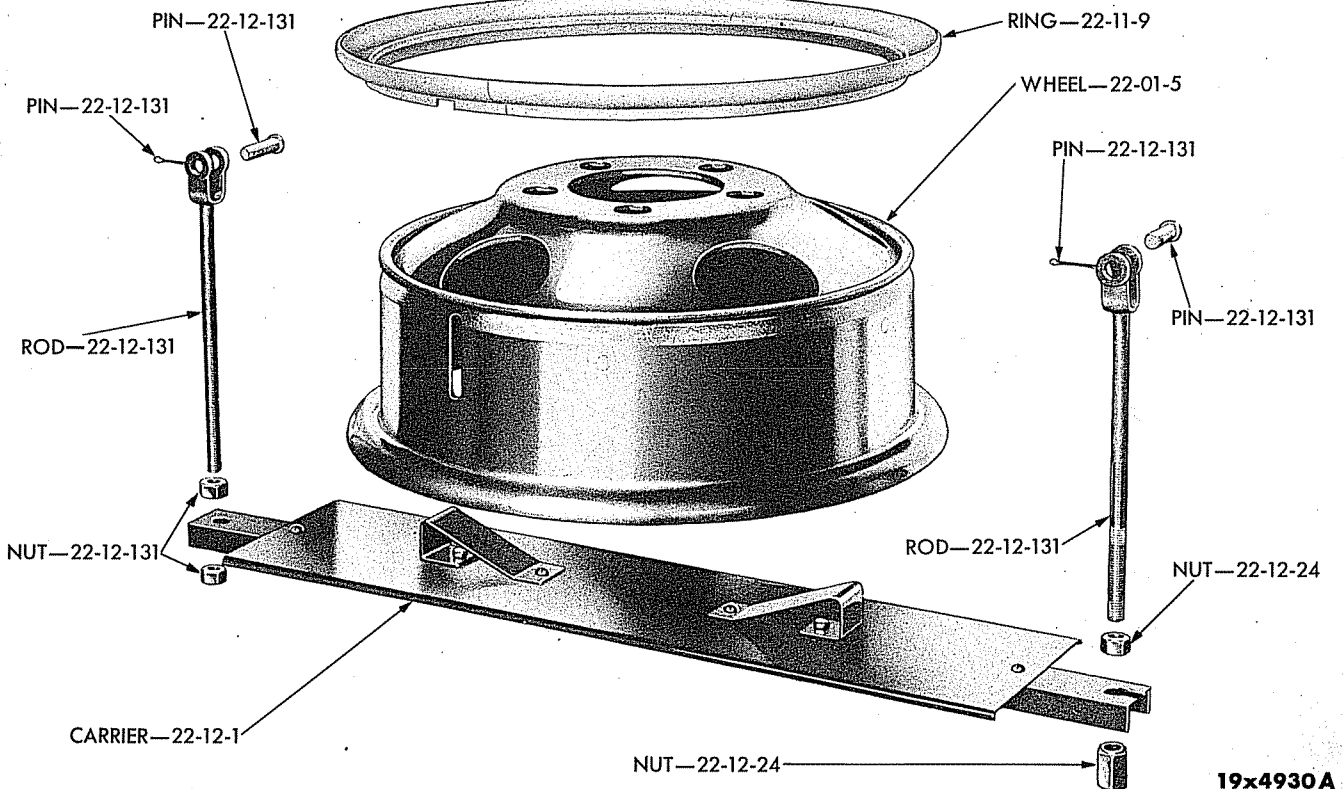
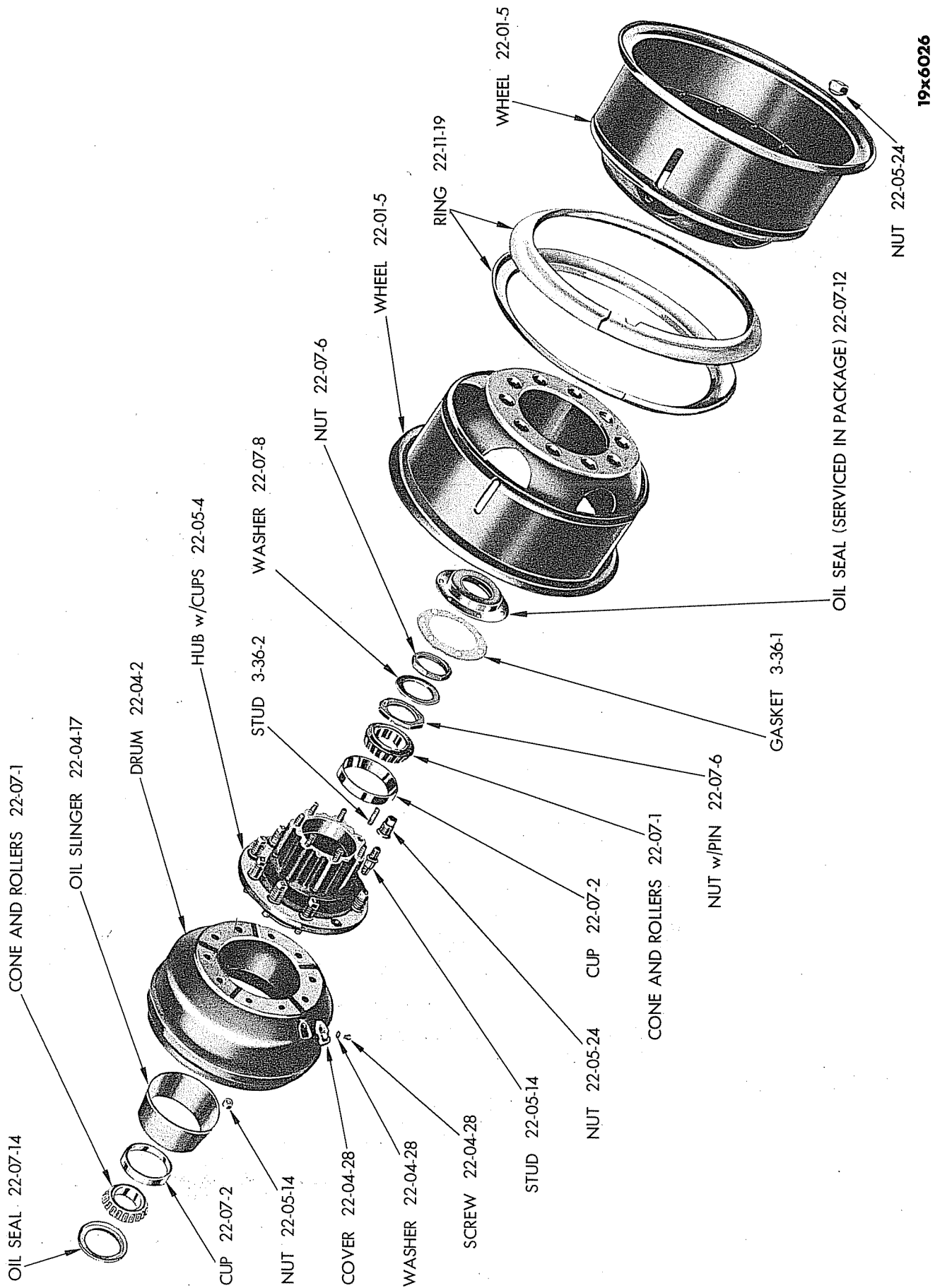


Plate 22-2

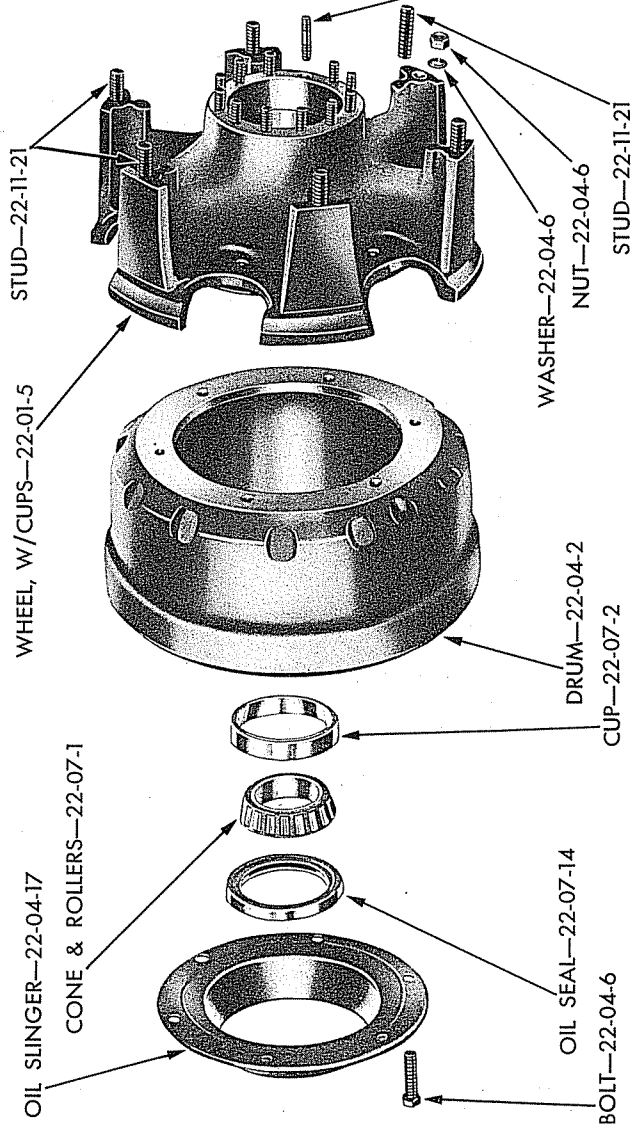
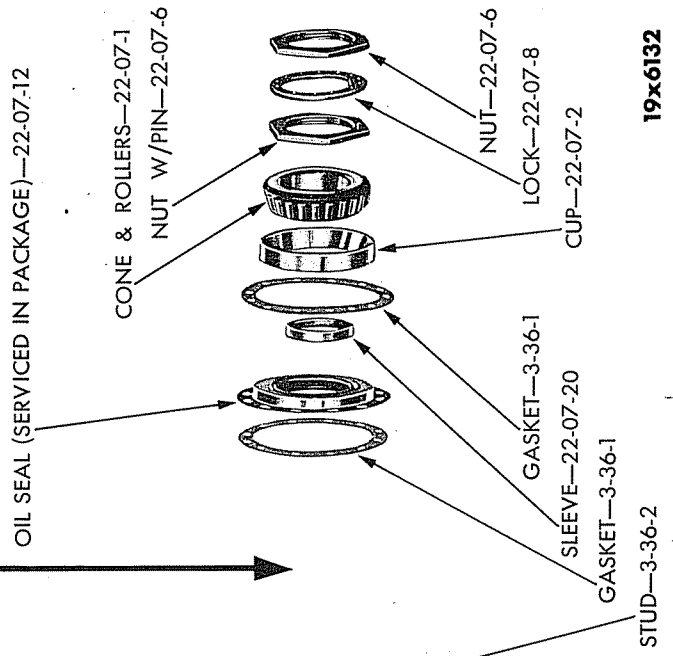
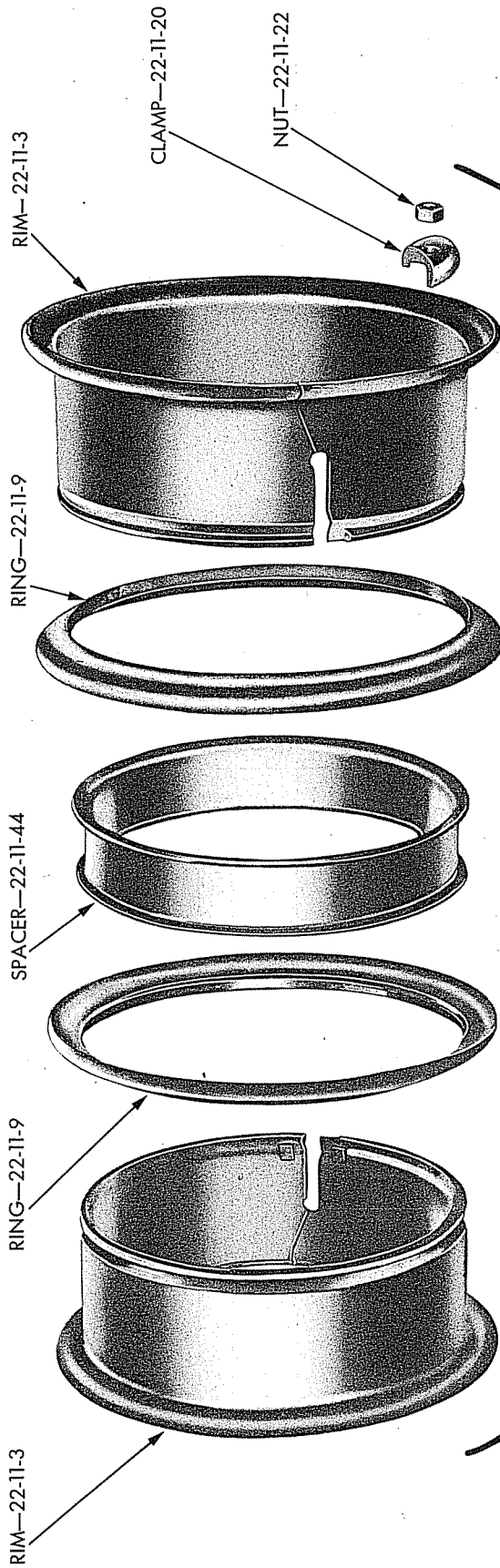
UNDERSLUNG TIRE CARRIER (EXPLODED VIEW)



19x6026

REAR DISC WHEEL (EXPLODED VIEW)

Plate 22-3



REAR STEEL SPOKE WHEEL (EXPLODED VIEW)

Plate 22-4

| CODE | PART NAME AND DESCRIPTION | SERIES NO. | MODEL CODES | | | | | | | | | | | | | PART NO. |
|------|---------------------------|------------|-------------|---|---|---|---|--------|----|----|----------|---|----|---|----|----------|
| | | | B | C | D | E | G | H & HH | FM | GM | HM & HHM | J | JM | K | KM | |

TIRE USAGE CHART

| Rim Or Wheel Size | Tire Size |
|-------------------|-----------------------------------|
| 15 x 4.50 | 6.70 x 15 |
| 15 x 5.00 | 7.10 x 15 |
| 15 x 5.50 | 7.00 x 15 |
| 16 x 4.00 | 6.00 x 16 |
| 16 x 4.50 | 6.00 x 16, 6.50 x 16 |
| 16 x 5.50 | 7.00 x 16, 7.50 x 16 |
| 16 x 6.00 | 7.00 x 16, 7.50 x 16 |
| 16 x 6.50 | 8.25 x 16 |
| 17 x 6.00 | 7.00 x 17, 7.50 x 17 |
| 18 x 3.62 | 6.00 x 18 |
| 20 x 5.00 | 6.00 x 20, 6.50 x 20, 7.00 x 20 |
| 20 x 6.00 | 7.50 x 20, 8.25 x 20 |
| 20 x 6.50 | 8.25 x 20, 9.00 x 20 |
| 20 x 7.00 | 9.00 x 20, 10.00 x 20 |
| 20 x 7.50 | 10.00 x 20, 11.00 x 20 |
| 20 x 8.00 | 9.00 x 20, 10.00 x 20, 11.00 x 20 |
| 22 x 7.50 | 10.00 x 22, 11.00 x 22 |

Note: For identification of the 3750 lb. and 4500 lb. Front Axles used on F and G Models, the 5000 lb., 5500 lb. and 6000 lb. Front Axles used on the R Models and the 6000 lb., 7500 lb. and 8000 lb. Front Axles used on the T, V and Y models refer to the identifying illustrations in front of Group 2 - Front Axle.

| WHEELS | | | | | | | | | | | | | | | | | | | | |
|---------|--|------|---|---|---|---|---|---|---|---|---|---|---|---|---|---|---|---|---|-----------|
| 22-01-5 | WHEEL | | | | | | | | | | | | | | | | | | | |
| | (15 x 4.50) | 1, 2 | 5 | - | - | - | - | - | - | - | - | - | - | - | - | - | - | - | - | 1316 710 |
| | (15 x 4.50) (up to serial No. 82254615 Det. and 85315302 Cal. Built) | 3 | 5 | - | - | - | - | - | - | - | - | - | - | - | - | - | - | - | - | 1316 710 |
| | (15 x 5) (after serial No. 82254615 Det. and 85315302 Cal. Built) | 3 | 5 | - | - | - | - | - | - | - | - | - | - | - | - | - | - | - | - | 1270 660 |
| | (15 x 5) | 4 | 5 | - | - | - | - | - | - | - | - | - | - | - | - | - | - | - | - | 1270 660 |
| | (16 x 4) | - | 5 | - | - | - | - | - | - | - | - | - | - | - | - | - | - | - | - | 862 074 |
| | (16 x 4.50) | - | 5 | - | - | - | - | - | - | - | - | - | - | - | - | - | - | - | - | 864 278 |
| | (18 x 3.62) | - | 5 | - | - | - | - | - | - | - | - | - | - | - | - | - | - | - | - | 683 283 |
| | (15 x 5.50) | - | 5 | - | - | - | - | - | - | - | - | - | - | - | - | - | - | - | - | 590 618 |
| | (16 x 4.50) | - | - | - | ★ | - | - | - | - | - | - | - | - | - | - | - | - | - | - | 913 869 |
| | (16 x 5.50) | - | - | - | ★ | - | - | - | - | - | - | - | - | - | - | - | - | - | - | 915 619 |
| | (16 x 6) | 3 | - | - | ★ | - | - | - | - | - | - | - | - | - | - | - | - | - | - | E1390 770 |
| | (16 x 6.50) | 1, 2 | - | - | 5 | - | - | - | - | - | - | - | - | - | - | - | - | - | - | 1267 977 |
| | (17 x 6) | 3, 4 | - | - | 5 | - | - | - | - | - | - | - | - | - | - | - | - | - | - | 1390 365 |
| | (20 x 5) (up to serial No. 81254253) | 1 | - | - | ★ | - | - | - | - | - | - | - | - | - | - | - | - | - | - | 913 988 |
| | (20 x 5) (after serial No. 81254253) | 1 | - | - | ★ | - | - | - | - | - | - | - | - | - | - | - | - | - | - | 1196 115 |
| | (20 x 5) | 2 | - | - | ★ | - | - | - | - | - | - | - | - | - | - | - | - | - | - | 1196 115 |

★Indicates use as required. Prices and specifications subject to change without notice.
 □Indicates parts not listed in any previous parts books.
 Series No. (1 indicates B-1 Series) (2 indicates B-2 Series) (3 indicates B-3 Series) (4 indicates B-4 Series)
 Where no Series No. is shown part is for B-1, B-2, B-3 and B-4 Series.
 December 31, 1952 Page 22-4 Printed in U.S.A.

| CODE | PART NAME AND DESCRIPTION | SERIES NO. | MODEL CODES | | | | | | | | | | | | | PART NO. | | | | | |
|-----------------|---|------------|-------------|---|---|---|---|--------|----|----|----------|---|----|---|----|----------|---|---|---|---|-----------|
| | | | B | C | D | F | G | H & HH | FM | GM | HM & HHM | J | JM | K | KM | | R | T | V | Y | |
| WHEELS - Cont'd | | | | | | | | | | | | | | | | | | | | | |
| 22-01-5 | WHEEL (5 stud) (20 x 5) (B-1-F and B-1-H except on serial No. 80347811 thru 80353048, 80353235 thru 80353358 and 80353615 thru 80353618; B-1-FM and B-1-HM except on serial No. 83509486 thru 83509665; B-1-J except on serial No. 82552573 thru 82554400 and 82554438 thru 82554509; B-1-JM except on serial No. 8739273 thru 8739407). | 1 | - | - | - | * | - | * | * | - | * | * | - | - | - | - | - | - | - | - | 1194 667 |
| | (5 stud) (20 x 5) (B-1-F and B-1-H on serial No. 80347811 thru 80353048, 80353235 thru 80353358, 80353615 thru 80353618; B-1-FM and B-1-HM on serial No. 83509486 thru 83509665; B-1-J on serial No. 82552573 thru 82554400 and 82554438 thru 82554509; B-1-JM on serial No. 8739273 thru 8739407). | 1 | - | - | - | * | - | * | * | - | * | * | - | - | - | - | - | - | - | - | 565 920 |
| | (5 stud) (20 x 5) | 2, 3, 4 | - | - | - | * | * | * | * | - | * | * | - | - | - | - | - | - | - | - | 1194 667 |
| | (5 stud) (20 x 6) (5 hand holes) | 1 | - | - | - | * | - | * | * | - | * | * | - | - | - | - | - | - | - | - | 1194 535 |
| | (5 stud) (20 x 6) (6 hand holes) | 1 | - | - | - | * | - | * | * | - | * | * | - | - | - | - | - | - | - | - | 1265 453 |
| | (5 stud) (20 x 6) (Domestic and std. Export) | 2 | - | - | - | * | * | * | * | - | * | * | - | - | - | - | - | - | - | - | *1194 535 |
| | (5 stud) (20 x 6) (Domestic and std. Export) (B-3-F except on serial No. 80401342 thru 80401472 and 80403628 thru 80403690 Det. Built and 86514970 thru 86514976 S. L. Built; B-3-G except on serial No. 80093515 thru 80093743 and 80098054 thru 80098736 Det. Built and 86601977 thru 86602003 S. L. Built; B-3-H and B-3-HH except on serial No. 82599633 thru 82600108 and 82607084 thru 82608693 Det. Built and 85603732 thru 85603793 S. L. Built; B-3-HM and B-3-HHM except on serial No. 8742686 thru 8742694 and 8742916 thru 8742927 Det. Built and 88501246 thru 88501249 S. L. Built; B-3-J except on serial No. 82835400 thru 82835984; B-3-JM except on serial No. 82952706 thru 82952732). | 3 | - | - | - | * | * | * | - | - | * | * | - | - | - | - | - | - | - | - | *1194 535 |

★ Indicates use as required.

Prices and specifications subject to change without notice.

□ Indicates parts not listed in any previous parts books.

Series No. (1 indicates B-1 Series) (2 indicates B-2 Series) (3 indicates B-3 Series) (4 indicates B-4 Series)

Where no Series No. is shown part is for B-1, B-2, B-3 and B-4 Series.

* Indicates change or addition.

| CODE | PART NAME AND DESCRIPTION | SERIES NO. | MODEL CODES | | | | | | | | | | | | | PART NO. | | | | | |
|-----------------|---|------------|-------------|---|---|---|---|--------|----|----|----------|---|----|---|----|----------|---|---|---|---|------------|
| | | | B | C | D | F | G | H & HH | FM | GM | HM & HHM | J | JM | K | KM | | R | T | V | Y | |
| WHEELS - Cont'd | | | | | | | | | | | | | | | | | | | | | |
| 22-01-5 | WHEEL (5 stud) (20 x 6) (Domestic and std. Export) (B-3-F on serial No. 80401342 thru 80401472 and 80403628 thru 80403690 Det. Built and 86514970 thru 86514976 S. L. Built; B-3-G on serial No. 80093515 thru 80093743 and 80098054 thru 80098736 Det. Built and 86601977 thru 86602003 S. L. Built; B-3-H and B-3-HH on serial No. 82599633 thru 82600108 and 82607084 thru 82608693 Det. Built and 85603732 thru 85603793 S. L. Built; B-3-HM and B-3-HHM on serial No. 8742686 thru 8742694 and 8742916 thru 8742927 Det. Built and 88501246 thru 88501249 S. L. Built; B-3-J on serial No. 82835400 thru 82835984; B-3-JM on serial No. 82952706 thru 82952732) | 3 | - | - | - | * | * | * | - | - | * | * | * | - | - | - | - | - | - | - | EH1502 021 |
| | (5 stud) (20 x 6) (Domestic and std. Export) | 3 | - | - | - | - | - | - | - | * | - | - | - | - | - | - | - | - | - | - | *1194 535 |
| | (5 stud) (20 x 6) (Domestic and std. Export) (B-4-F all Det. Built; B-4-F except on serial No. 86515501 thru 86515540 S. L. Built; B-4-G all Det. Built; B-4-G except on serial No. 86602501 thru 86602545 S. L. Built; B-4-H all Det. Built; B-4-H except serial No. 85604001 thru 85604036 S. L. Built) | 4 | - | - | - | * | * | * | - | - | - | - | - | - | - | - | - | - | - | - | *1194 535 |
| | (5 stud) (20 x 6) (Domestic and std. Export) (B-4-F on serial No. 86515501 thru 86515540 S. L. Built; B-4-G on serial No. 86602501 thru 86602545 S. L. Built; B-4-H on serial No. 85604001 thru 85604036 S. L. Built) | 4 | - | - | - | * | * | * | - | - | - | - | - | - | - | - | - | - | - | - | EH1502 021 |
| | (5 stud) (20 x 6) (Domestic and std. Export) | 4 | - | - | - | - | - | - | - | * | * | * | - | - | - | - | - | - | - | - | 1194 535 |
| | (5 stud) (20 x 6.50) (heavy duty Export) | 2 | - | - | - | * | * | * | - | * | * | * | - | - | - | - | - | - | - | - | 1269 852 |
| | (5 stud) (20 x 6.50) (heavy duty Export) (B-3-F up to serial No. 80401410; B-3-G up to serial No. 80093586; B-3-H up to serial No. 82599880; B-3-GM up to serial No. 83702290; B-3-HM up to serial No. 8742689; B-3-J up to serial No. 82820444; B-3-JM up to serial No. 82952517) | 3 | - | - | - | * | * | * | - | * | * | * | - | - | - | - | - | - | - | - | 1269 852 |

★ Indicates use as required. Prices and specifications subject to change without notice.
 □ Indicates parts not listed in any previous parts books.
 Series No. (1 indicates B-1 Series) (2 indicates B-2 Series) (3 indicates B-3 Series) (4 indicates B-4 Series)
 Where no Series No. is shown part is for B-1, B-2, B-3 and B-4 Series.
 April 6, 1953 Supersedes Dec. 31, 1952. Page 22-6 Printed in U.S.A. * Indicates change or addition.

| CODE | PART NAME AND DESCRIPTION | SERIES NO. | MODEL CODES | | | | | | | | | | | | | PART NO. | | | |
|-----------------|--|------------|-------------|---|---|---|---|--------|----|----|----------|---|----|---|----|----------|---|---|----------|
| | | | B | C | D | F | G | H & HH | FM | GM | HM & HHM | J | JM | K | KM | | R | T | V |
| WHEELS - Cont'd | | | | | | | | | | | | | | | | | | | |
| 22-01-5 | WHEEL, (5 stud) (20 x 6.50) (heavy duty Export) (B-3-F after serial No. 80401410; B-3-G after serial No. 80093586; B-3-H after serial No. 82599880; B-3-GM after serial No. 83702990; B-3-HM after serial No. 8742689; B-3-J after serial No. 82820444; B-3-K after serial No. 82952517) | 3 | - | - | - | * | * | * | - | * | * | * | * | - | - | - | - | - | 1392 458 |
| | (5 stud) (20 x 6.50) (heavy duty Export) | 4 | - | - | - | * | * | * | - | * | * | * | * | - | - | - | - | - | 1392 458 |
| | (6 stud) (20 x 6) | - | - | - | - | - | - | - | - | - | - | * | * | * | * | - | - | - | 1190 974 |
| | (6 stud) (20 x 6.50) | 2, 3, 4 | - | - | - | - | - | - | - | - | - | * | * | * | * | - | - | - | 1261 741 |
| | (6 stud) (20 x 7) | 1 | - | - | - | - | - | - | - | - | - | * | * | * | * | - | - | - | 1194 530 |
| | (disc) (20 x 6) | - | - | - | - | - | - | - | - | - | - | - | - | - | * | - | - | - | 1269 551 |
| | (disc) (20 x 6.50) | 1 | - | - | - | - | - | - | - | - | - | - | - | - | * | - | - | - | 1194 207 |
| | (disc) (20 x 6.50) | 2, 3, 4 | - | - | - | - | - | - | - | - | - | - | - | - | * | * | * | - | 1261 744 |
| | (disc) (20 x 6) | 1 | - | - | - | - | - | - | - | - | - | - | - | - | * | * | * | - | 1190 973 |
| | (disc) (20 x 6) | 2, 3, 4 | - | - | - | - | - | - | - | - | - | - | - | - | * | * | - | - | 1269 551 |
| | (disc) (20 x 7) (except on serial No. 81789833 thru 81789836, 81789875 thru 81789991, 81794010 thru 81794020) | 1 | - | - | - | - | - | - | - | - | - | - | - | - | - | * | * | - | 1392 968 |
| | (disc) (20 x 7) (on serial No. 81789833 thru 81789836, 81789875 thru 81789991, 81794010 thru 81794020) | 1 | - | - | - | - | - | - | - | - | - | - | - | - | - | * | * | - | 1264 176 |
| | (disc) (20 x 7) | 2, 3, 4 | - | - | - | - | - | - | - | - | - | - | - | - | * | * | * | * | 1392 968 |
| | (disc) (20 x 7.50) | - | - | - | - | - | - | - | - | - | - | - | - | - | * | * | * | * | 1392 422 |
| | (disc) (20 x 8) | - | - | - | - | - | - | - | - | - | - | - | - | - | * | * | * | * | 1191 858 |
| | (disc) (22 x 7.50) | 3, 4 | - | - | - | - | - | - | - | - | - | - | - | - | * | * | * | * | 1270 036 |
| | (front) (steel spoke) (5000 lb. front axle) (see note) | - | - | - | - | - | - | - | - | - | - | - | - | - | 2 | - | - | - | 1262 657 |
| | (front) (steel spoke) (5500 lb. and 6000 lb. front axle) (see note) | - | - | - | - | - | - | - | - | - | - | - | - | - | 2 | 2 | 2 | 2 | 1262 648 |
| | (front) (steel spoke) (7500 lb. front axle) (see note) | 1, 2 | - | - | - | - | - | - | - | - | - | - | - | - | - | 2 | 2 | - | 1262 654 |
| | (front) (steel spoke) (8000 lb. front axle) (see note) | 2, 3, 4 | - | - | - | - | - | - | - | - | - | - | - | - | - | 2 | 2 | 2 | 1267 488 |
| | (rear) (steel spoke) | 1 | - | - | - | - | - | - | - | - | - | - | - | - | 2 | - | - | - | 1194 093 |
| | (rear) (steel spoke) (Hydraulic brakes) | 2 | - | - | - | - | - | - | - | - | - | - | - | - | 2 | - | - | - | 1270 432 |
| | (rear) (steel spoke) (Air Brakes) (up to serial No. 81858802) | 2 | - | - | - | - | - | - | - | - | - | - | - | - | 2 | - | - | - | 1270 432 |
| | (rear) (steel spoke) (Air Brakes) (after serial No. 81858802) | 2 | - | - | - | - | - | - | - | - | - | - | - | - | 2 | - | - | - | 1270 349 |
| | (rear) (steel spoke) (Air Brakes) | 3, 4 | - | - | - | - | - | - | - | - | - | - | - | - | 2 | - | - | - | 1270 349 |
| | (rear) (steel spoke) (Hydraulic Brakes) | 3, 4 | - | - | - | - | - | - | - | - | - | - | - | - | 2 | - | - | - | 1270 432 |
| | (rear) (steel spoke) | 1 | - | - | - | - | - | - | - | - | - | - | - | - | 2 | - | - | - | 1194 100 |
| | (rear) (steel spoke) | 2, 3, 4 | - | - | - | - | - | - | - | - | - | - | - | - | 2 | - | - | - | 1266 766 |
| | (rear) (steel spoke) | - | - | - | - | - | - | - | - | - | - | - | - | - | - | 2 | - | - | 1194 105 |
| | (rear) (steel spoke) (Q100, Q200 and Q300 Series Axle) (see identification illustrations in front of Group 3, Rear Axle) | - | - | - | - | - | - | - | - | - | - | - | - | - | - | - | - | 2 | 1194 105 |
| | (rear) (steel spoke) (R100, R200 and R300 Series Axle) (see identification illustrations in front of Group 3, Rear Axle) | - | - | - | - | - | - | - | - | - | - | - | - | - | - | - | - | 2 | 1267 557 |

* Indicates use as required.

□ Indicates parts not listed in any previous parts books.

Series No. (1 indicates B-1 Series) (2 indicates B-2 Series) (3 indicates B-3 Series) (4 indicates B-4 Series)

Where no Series No. is shown part is for B-1, B-2, B-3 and B-4 Series.

* Indicates change or addition.

Prices and specifications subject to change without notice.

| CODE | PART NAME AND DESCRIPTION | SERIES NO. | MODEL CODES | | | | | | | | | | | | | PART NO. | | | | |
|--|---|------------|-------------|---|---|---|---|--------|----|----|----------|---|----|---|----|----------|---|---|---|-----------|
| | | | B | C | D | F | G | H & HH | FM | GM | HM & HHM | J | JM | K | KM | | R | T | V | Y |
| HUB AND BRAKE DRUM ASSEMBLY (DISC WHEELS) | | | | | | | | | | | | | | | | | | | | |
| 22-03-1 | HUB, Front Wheel, w/DRUM | | | | | | | | | | | | | | | | | | | |
| | (right) | - | 1 | - | - | - | - | - | - | - | - | - | - | - | - | - | - | - | - | 668 583 |
| | (left) | - | 1 | - | - | - | - | - | - | - | - | - | - | - | - | - | - | - | - | 856 970 |
| | (right) | - | - | 1 | - | - | - | - | - | - | - | - | - | - | - | - | - | - | - | 1188 216 |
| | (left) | - | - | 1 | - | - | - | - | - | - | - | - | - | - | - | - | - | - | - | 1188 217 |
| | (right) | 1 | - | - | 1 | - | - | - | - | - | - | - | - | - | - | - | - | - | - | 921 536 |
| | (left) | 1 | - | - | 1 | - | - | - | - | - | - | - | - | - | - | - | - | - | - | 921 537 |
| | (right) (up to serial No. 81292833 except on 81291189 thru 81292000 Det. Built; up to serial No. 86009273 Cal. Built) | 2 | - | - | 1 | - | - | - | - | - | - | - | - | - | - | - | - | - | - | 921 536 |
| | (left) (up to serial No. 81292833 except on 81291189 thru 81292000 Det. Built; up to serial No. 86009273 Cal. Built) | 2 | - | - | 1 | - | - | - | - | - | - | - | - | - | - | - | - | - | - | 921 537 |
| | (right) (after serial No. 81292833 also on 81291189 thru 81292000 Det. Built; after serial No. 86009273 Cal. Built) | 2 | - | - | 1 | - | - | - | - | - | - | - | - | - | - | - | - | - | - | 1273 774 |
| | (left) (after serial No. 81292833 also on 81291189 thru 81292000 Det. Built; after serial No. 86009273 Cal. Built) | 2 | - | - | 1 | - | - | - | - | - | - | - | - | - | - | - | - | - | - | 1273 775 |
| | (right) (up to serial No. 81460894 Det. Built and 86012210 S. L. Built) | 3 | - | - | 1 | - | - | - | - | - | - | - | - | - | - | - | - | - | - | *1273 774 |
| | (left) (up to serial No. 81460894 Det. Built and 86012210 S. L. Built) | 3 | - | - | 1 | - | - | - | - | - | - | - | - | - | - | - | - | - | - | *1273 775 |
| | (right) (after serial No. 81460894 Det. Built and 86012210 S. L. Built) | 3 | - | - | 1 | - | - | - | - | - | - | - | - | - | - | - | - | - | - | E1502 060 |
| | (left) (after serial No. 81460894 Det. Built and 86012210 S. L. Built) | 3 | - | - | 1 | - | - | - | - | - | - | - | - | - | - | - | - | - | - | E1502 061 |
| | (right) | 4 | - | - | 1 | - | - | - | - | - | - | - | - | - | - | - | - | - | - | E1502 060 |
| | (left) | 4 | - | - | 1 | - | - | - | - | - | - | - | - | - | - | - | - | - | - | E1502 061 |
| | (right) (3750 lb. front axle) (see note) | - | - | - | - | 1 | 1 | - | - | - | - | - | - | - | - | - | - | - | - | 1194 218 |
| | (left) (3750 lb. front axle) (see note) | - | - | - | - | 1 | 1 | - | - | - | - | - | - | - | - | - | - | - | - | 1194 219 |
| | (right) (4500 lb. front axle) (see note) | - | - | - | - | 1 | 1 | - | - | - | - | - | - | - | - | - | - | - | - | 1196 814 |
| | (left) (4500 lb. front axle) (see note) | - | - | - | - | 1 | 1 | - | - | - | - | - | - | - | - | - | - | - | - | 1196 815 |
| | (right) | - | - | - | - | - | - | 1 | 1 | 1 | 1 | - | - | - | - | - | - | - | - | 1196 814 |
| | (left) | - | - | - | - | - | - | 1 | 1 | 1 | 1 | - | - | - | - | - | - | - | - | 1196 815 |
| | (right) (5 stud) | - | - | - | - | - | - | - | - | - | 1 | 1 | - | - | - | - | - | - | - | 1195 236 |
| | (left) (5 stud) | - | - | - | - | - | - | - | - | - | 1 | 1 | - | - | - | - | - | - | - | 1195 237 |
| | (right) (6 stud) | 1 | - | - | - | - | - | - | - | - | 1 | 1 | 1 | 1 | - | - | - | - | - | 1195 246 |
| | (left) (6 stud) | 1 | - | - | - | - | - | - | - | - | 1 | 1 | 1 | 1 | - | - | - | - | - | 1195 247 |
| | (right) (6 stud) (B-2-J and B-2-K up to serial No. 82805805 Det. and 88600171 Cal. Built; B-2-JM and B-2-KM up to serial No. 82950496 Det. and 88680026 Cal. Built) | 2 | - | - | - | - | - | - | - | - | - | 1 | 1 | 1 | 1 | - | - | - | - | 1195 246 |

★ Indicates use as required.

Prices and specifications subject to change without notice.

⊠ Indicates parts not listed in any previous parts books.

Series No. (1 indicates B-1 Series) (2 indicates B-2 Series) (3 indicates B-3 Series) (4 indicates B-4 Series)

Where no Series No. is shown part is for B-1, B-2, B-3 and B-4 Series.

April 6, 1953 Supersedes Dec. 31, 1952.

Printed in U.S.A.

* Indicates change or addition.

| CODE | PART NAME AND DESCRIPTION | SERIES NO. | MODEL CODES | | | | | | | | | | | | | PART NO. | | | | |
|---|---|------------|-------------|---|---|---|---|--------|----|----|----------|---|----|---|----|----------|---|---|---|----------|
| | | | B | C | D | F | G | H & HH | FM | GM | HM & HHM | J | JM | K | KM | | R | T | V | Y |
| HUB AND BRAKE DRUM ASSEMBLY (DISC WHEELS) - Cont'd | | | | | | | | | | | | | | | | | | | | |
| 22-03-1 | HUB, Front Wheel, w/DRUM (left) (6 stud) (B-2-J and B-2-K up to serial No. 82805805 Det. and 88600171 Cal. Built; B-2-JM and B-2-KM up to serial No. 82905496 Det. and 88680026 Cal. Built) | 2 | - | - | - | - | - | - | - | - | - | 1 | 1 | 1 | 1 | - | - | - | - | 1195 247 |
| | (right) (6 stud) (B-2-J and B-2-K after serial No. 82805805 Det. and 88600171 Cal. Built; B-2-JM and B-2-KM after serial No. 82905496 Det. and 88680026 Cal. Built) | 2 | - | - | - | - | - | - | - | - | - | 1 | 1 | 1 | 1 | - | - | - | - | 1270 092 |
| | (left) (6 stud) (B-2-J and B-2-K after serial No. 82805805 Det. and 88600171 Cal. Built; B-2-JM and B-2-KM after serial No. 82905496 Det. and 88680026 Cal. Built) | 2 | - | - | - | - | - | - | - | - | - | 1 | 1 | 1 | 1 | - | - | - | - | 1270 093 |
| | (right) (6 stud) | 3,4 | - | - | - | - | - | - | - | - | - | 1 | 1 | 1 | 1 | - | - | - | - | 1270 092 |
| | (left) (6 stud) | 3,4 | - | - | - | - | - | - | - | - | - | 1 | 1 | 1 | 1 | - | - | - | - | 1270 093 |
| | (right) (knockout type stud) (5000 lb. front axle) (see note) . | 1,2 | - | - | - | - | - | - | - | - | - | - | - | - | - | 1 | - | - | - | 1260 500 |
| | (left) (knockout type stud) (5000 lb. front axle) (see note) . | 1,2 | - | - | - | - | - | - | - | - | - | - | - | - | - | 1 | - | - | - | 1260 501 |
| | (right) (rivet type stud) (5000 lb. front axle) (see note) | 1,2 | - | - | - | - | - | - | - | - | - | - | - | - | - | 1 | - | - | - | 1270 176 |
| | (left) (rivet type stud) (5000 lb. front axle) (see note) | 1,2 | - | - | - | - | - | - | - | - | - | - | - | - | - | - | - | - | - | 1270 177 |
| | (right) (5000 lb. front axle) (see note) | 3,4 | - | - | - | - | - | - | - | - | - | - | - | - | - | 1 | - | - | - | 1270 176 |
| | (left) (5000 lb. front axle) (see note) | 3,4 | - | - | - | - | - | - | - | - | - | - | - | - | - | 1 | - | - | - | 1270 177 |
| | (right) (knockout type stud) (5500 lb. and 6000 lb. front axle) (see note) | 1,2 | - | - | - | - | - | - | - | - | - | - | - | - | - | 1 | 1 | 1 | 1 | 1261 080 |
| | (left) (knockout type stud) (5500 lb. and 6000 lb. front axle) (see note) | 1,2 | - | - | - | - | - | - | - | - | - | - | - | - | - | 1 | 1 | 1 | 1 | 1261 081 |
| | (right) (rivet type stud) (5500 lb. and 6000 lb. front axle) (see note) | 1,2 | - | - | - | - | - | - | - | - | - | - | - | - | - | 1 | 1 | 1 | 1 | 1270 062 |
| | (left) (rivet type stud) (5500 lb. and 6000 lb. front axle) (see note) | 1,2 | - | - | - | - | - | - | - | - | - | - | - | - | - | 1 | 1 | 1 | 1 | 1270 063 |
| | (right) (5500 lb. and 6000 lb. front axle) (see note) | 3,4 | - | - | - | - | - | - | - | - | - | - | - | - | - | 1 | 1 | 1 | 1 | 1270 062 |
| | (left) (5500 lb. and 6000 lb. front axle) (see note) | 3,4 | - | - | - | - | - | - | - | - | - | - | - | - | - | 1 | 1 | 1 | 1 | 1270 063 |
| | (right) (7500 lb. front axle) (see note) | 1,2 | - | - | - | - | - | - | - | - | - | - | - | - | - | 1 | 1 | - | - | 1261 086 |
| | (left) (7500 lb. front axle) (see note) | 1,2 | - | - | - | - | - | - | - | - | - | - | - | - | - | 1 | 1 | - | - | 1261 087 |
| | (right) (8000 lb. front axle) (see note) | - | - | - | - | - | - | - | - | - | - | - | - | - | - | 1 | 1 | 1 | - | 1269 620 |
| | (left) (knockout type stud) (8000 lb. front axle) (see note) | 1,2 | - | - | - | - | - | - | - | - | - | - | - | - | - | 1 | 1 | 1 | - | 1267 261 |
| | (left) (rivet type stud) (8000 lb. front axle) (see note) | 1,2 | - | - | - | - | - | - | - | - | - | - | - | - | - | 1 | 1 | 1 | - | 1269 621 |
| | (left) (8000 lb. front axle) (see note) | 3,4 | - | - | - | - | - | - | - | - | - | - | - | - | - | 1 | 1 | 1 | 1 | 1269 621 |

★ Indicates use as required.

Prices and specifications subject to change without notice.

□ Indicates parts not listed in any previous parts books.

Series No. (1 indicates B-1 Series) (2 indicates B-2 Series) (3 indicates B-3 Series) (4 indicates B-4 Series)

Where no Series No. is shown part is for B-1, B-2, B-3 and B-4 Series.

* Indicates change or addition.

| CODE | PART NAME AND DESCRIPTION | SERIES NO. | MODEL CODES | | | | | | | | | | | | | PART NO. | | |
|---|--|------------|-------------|---|---|---|---|--------|----|----|----------|---|----|---|----|----------|---|---|
| | | | B | C | D | F | G | H & HH | FM | GM | HM & HHM | J | JM | K | KM | | R | T |
| HUB AND BRAKE DRUM ASSEMBLY (DISC WHEELS) - Cont'd | | | | | | | | | | | | | | | | | | |
| 22-03-2 | HUB, Rear Wheel, w/DRUM | | | | | | | | | | | | | | | | | |
| | (right) | 1 | 1 | - | - | - | - | - | - | - | - | - | - | - | - | - | - | - |
| | (left) | 1 | - | - | - | - | - | - | - | - | - | - | - | - | - | - | - | - |
| | (right) | - | 1 | - | - | - | - | - | - | - | - | - | - | - | - | - | - | - |
| | (left) | - | 1 | - | - | - | - | - | - | - | - | - | - | - | - | - | - | - |
| | (right) | 1 | - | 1 | - | - | - | - | - | - | - | - | - | - | - | - | - | - |
| | (left) | 1 | - | 1 | - | - | - | - | - | - | - | - | - | - | - | - | - | - |
| | (right) (up to serial No. 81292814 except on 81291189 thru 81292000 Det. Built; up to serial No. 86009273 Cal. Built) | 2 | - | - | 1 | - | - | - | - | - | - | - | - | - | - | - | - | - |
| | (left) (up to serial No. 81292814 except on 81291189 thru 81292000 Det. Built; up to serial No. 86009273 Cal. Built) | 2 | - | - | 1 | - | - | - | - | - | - | - | - | - | - | - | - | - |
| | (right) (after serial No. 81292814 also on 81291189 thru 81292000 Det. Built; after serial No. 86009273 Cal. Built) | 2 | - | - | 1 | - | - | - | - | - | - | - | - | - | - | - | - | - |
| | (left) (after serial No. 81292814 also on 81291189 thru 81292000 Det. Built; after serial No. 86009273 Cal. Built) | 2 | - | - | 1 | - | - | - | - | - | - | - | - | - | - | - | - | - |
| | (right) | 2 | - | - | 1 | - | - | - | - | - | - | - | - | - | - | - | - | - |
| | (left) | 3,4 | - | - | 1 | - | - | - | - | - | - | - | - | - | - | - | - | - |
| | (right) (std. tread) (Hypoid Axle) | - | - | - | - | 1 | 1 | - | 1 | 1 | - | - | - | - | - | - | - | - |
| | (left) (std. tread) (Hypoid Axle) | - | - | - | - | 1 | 1 | - | 1 | 1 | - | - | - | - | - | - | - | - |
| | (right) (5" wider tread or Express hubs) (Hypoid Axle) | - | - | - | - | 1 | 1 | - | - | - | - | - | - | - | - | - | - | - |
| | (left) (5" wider tread or Express hubs) (Hypoid Axle) | - | - | - | - | 1 | 1 | - | - | - | - | - | - | - | - | - | - | - |
| | (right) (2 Speed Axle) | 1 | - | - | - | 1 | 1 | - | 1 | 1 | - | - | - | - | - | - | - | - |
| | (left) (2 Speed Axle) | 1 | - | - | - | 1 | 1 | - | 1 | 1 | - | - | - | - | - | - | - | - |
| | (right) (std. 2 Speed Axle) | 2 | - | - | - | 1 | 1 | - | 1 | 1 | - | - | - | - | - | - | - | - |
| | (left) (std. 2 Speed Axle) | 2 | - | - | - | 1 | 1 | - | 1 | 1 | - | - | - | - | - | - | - | - |
| | (right) (heavy 2 Speed Axle) | 2 | - | - | - | 1 | 1 | - | 1 | 1 | - | - | - | - | - | - | - | - |
| | (left) (heavy 2 Speed Axle) | 2 | - | - | - | 1 | 1 | - | 1 | 1 | - | - | - | - | - | - | - | - |
| | (right) (2 Speed Axle) | 3,4 | - | - | - | 1 | 1 | - | 1 | 1 | - | - | - | - | - | - | - | - |
| | (left) (2 Speed Axle) | 3,4 | - | - | - | 1 | 1 | - | 1 | 1 | - | - | - | - | - | - | - | - |
| | (right) | - | - | - | - | - | - | 1 | - | 1 | - | - | - | - | - | - | - | - |
| | (left) | - | - | - | - | - | - | 1 | - | 1 | - | - | - | - | - | - | - | - |
| | (right) (5 stud) | 1,2,3 | - | - | - | - | - | - | - | - | 1 | 1 | - | - | - | - | - | - |
| | (left) (5 stud) | 1,2,3 | - | - | - | - | - | - | - | - | 1 | 1 | - | - | - | - | - | - |
| | (right) (5 stud) | 4 | - | - | - | - | - | - | - | - | 1 | 1 | - | - | - | - | - | - |
| | (left) (5 stud) | 4 | - | - | - | - | - | - | - | - | 1 | 1 | - | - | - | - | - | - |
| | (right) (6 stud) | 1,2,3 | - | - | - | - | - | - | - | - | 1 | 1 | - | - | - | - | - | - |
| | (left) (6 stud) | 1,2,3 | - | - | - | - | - | - | - | - | 1 | 1 | - | - | - | - | - | - |
| | (right) (6 stud) | 4 | - | - | - | - | - | - | - | - | 1 | 1 | - | - | - | - | - | - |
| | (left) (6 stud) | 4 | - | - | - | - | - | - | - | - | 1 | 1 | - | - | - | - | - | - |
| | (right) | 1,2,3 | - | - | - | - | - | - | - | - | - | 1 | 1 | - | - | - | - | - |
| | (left) | 1,2,3 | - | - | - | - | - | - | - | - | - | 1 | 1 | - | - | - | - | - |
| | (right) | 4 | - | - | - | - | - | - | - | - | - | 1 | 1 | - | - | - | - | - |
| | (left) | 4 | - | - | - | - | - | - | - | - | - | 1 | 1 | - | - | - | - | - |
| | (right) (Air Brakes) | 1 | - | - | - | - | - | - | - | - | - | - | - | 1 | - | - | - | - |
| | (left) (Air Brakes) | 1 | - | - | - | - | - | - | - | - | - | - | - | 1 | - | - | - | - |

★ Indicates use as required.

☐ Indicates parts not listed in any previous parts books.

Series No. (1 indicates B-1 Series) (2 indicates B-2 Series) (3 indicates B-3 Series) (4 indicates B-4 Series)

Where no Series No. is shown part is for B-1, B-2, B-3 and B-4 Series.

April 6, 1953 Supersedes Dec. 31, 1952.

Prices and specifications subject to change without notice.

Printed in U.S.A.

* Indicates change or addition.

| CODE | PART NAME AND DESCRIPTION | SERIES NO. | MODEL CODES | | | | | | | | | | | | | PART NO. | | | |
|---|--|------------|-------------|---|---|---|---|--------|----|----|----------|---|----|---|----|----------|---|---|---|
| | | | B | C | D | F | G | H & HH | FM | GM | HM & HHM | J | JM | K | KM | | R | T | V |
| HUB AND BRAKE DRUM ASSEMBLY (DISC WHEELS) - Cont'd | | | | | | | | | | | | | | | | | | | |
| 22-03-2 | HUB, Rear Wheel, w/DRUM | | | | | | | | | | | | | | | | | | |
| | (right) (Air Brakes) | 2, 3, 4 | - | - | - | - | - | - | - | - | - | - | - | - | - | 1 | - | - | - |
| | (left) (Air Brakes) | 2, 3, 4 | - | - | - | - | - | - | - | - | - | - | - | - | - | 1 | - | - | - |
| | (right) (Hydraulic Brakes) | 1 | - | - | - | - | - | - | - | - | - | - | - | - | - | 1 | - | - | - |
| | (left) (Hydraulic Brakes) | 1 | - | - | - | - | - | - | - | - | - | - | - | - | - | 1 | - | - | - |
| | (right) (Hydraulic Brakes) | 2, 3, 4 | - | - | - | - | - | - | - | - | - | - | - | - | - | 1 | - | - | - |
| | (left) (Hydraulic Brakes) | 2, 3, 4 | - | - | - | - | - | - | - | - | - | - | - | - | - | 1 | - | - | - |
| | (right) | 1 | - | - | - | - | - | - | - | - | - | - | - | - | - | - | 1 | - | - |
| | (left) | 1 | - | - | - | - | - | - | - | - | - | - | - | - | - | - | 1 | - | - |
| | (right) | 2, 3, 4 | - | - | - | - | - | - | - | - | - | - | - | - | - | - | 1 | - | - |
| | (left) | 2, 3, 4 | - | - | - | - | - | - | - | - | - | - | - | - | - | - | 1 | - | - |
| | (right) | 1 | - | - | - | - | - | - | - | - | - | - | - | - | - | - | - | 1 | - |
| | (left) | 1 | - | - | - | - | - | - | - | - | - | - | - | - | - | - | - | 1 | - |
| | (right) | 2, 3, 4 | - | - | - | - | - | - | - | - | - | - | - | - | - | - | - | 1 | - |
| | (left) | 2, 3, 4 | - | - | - | - | - | - | - | - | - | - | - | - | - | - | - | 1 | - |
| | (right) (Q100, Q200 and Q300 series axle) (see identifying illustrations in Group 3 - Rear Axle) | - | - | - | - | - | - | - | - | - | - | - | - | - | - | - | - | - | 1 |
| | (left) (Q100, Q200 and Q300 series axle) (see identifying illustrations in Group 3 - Rear Axle) | - | - | - | - | - | - | - | - | - | - | - | - | - | - | - | - | - | 1 |
| | (right) (R100, R200 and R300 series axle) (see identifying illustrations in Group 3 - Rear Axle) | - | - | - | - | - | - | - | - | - | - | - | - | - | - | - | - | - | 1 |
| | (left) (R100, R200 and R300 series axle) (see identifying illustrations in Group 3 - Rear Axle) | - | - | - | - | - | - | - | - | - | - | - | - | - | - | - | - | - | 1 |
| WHEEL BRAKE DRUM | | | | | | | | | | | | | | | | | | | |
| 22-04-1 | DRUM, Front Wheel | | 2 | - | - | - | - | - | - | - | - | - | - | - | - | - | - | - | - |
| | | | - | 2 | - | - | - | - | - | - | - | - | - | - | - | - | - | - | - |
| | | 1, 2 | - | - | 2 | - | - | - | - | - | - | - | - | - | - | - | - | - | - |
| | (up to serial No. 81460894 Det. Built and 86012210 S. L. Built) | 3 | - | - | 2 | - | - | - | - | - | - | - | - | - | - | - | - | - | - |
| | (after serial No. 81460894 Det. Built and 86012210 S. L. Built) | 3 | - | - | 2 | - | - | - | - | - | - | - | - | - | - | - | - | - | - |
| | | 4 | - | - | 2 | - | - | - | - | - | - | - | - | - | - | - | - | - | - |
| | | | - | - | - | 2 | 2 | 2 | 2 | 2 | 2 | - | - | - | - | - | - | - | - |
| | (disc wheels) | | - | - | - | - | - | - | - | - | 2 | 2 | 2 | 2 | - | - | - | - | - |
| | (steel spoke wheels) | | - | - | - | - | - | - | - | - | - | - | - | - | 2 | 2 | 2 | 2 | 2 |
| 22-04-2 | DRUM, Rear Wheel | | 2 | - | - | - | - | - | - | - | - | - | - | - | - | - | - | - | - |
| | | | - | 2 | - | - | - | - | - | - | - | - | - | - | - | - | - | - | - |
| | | | - | - | 2 | - | - | - | - | - | - | - | - | - | - | - | - | - | - |
| | (std. tread hubs) | | - | - | - | 2 | 2 | - | 2 | 2 | - | - | - | - | - | - | - | - | - |
| | (5" wider tread or Express hubs) | | - | - | - | 2 | 2 | - | - | - | - | - | - | - | - | - | - | - | - |
| | | | - | - | - | - | - | 2 | - | - | 2 | - | - | - | - | - | - | - | - |
| | (5 stud hubs) | 1, 2, 3 | - | - | - | - | - | - | - | - | 2 | 2 | - | - | - | - | - | - | - |
| | (5 stud hubs) | 4 | - | - | - | - | - | - | - | - | 2 | 2 | - | - | - | - | - | - | - |
| | (6 stud hubs) | 1, 2, 3 | - | - | - | - | - | - | - | - | 2 | 2 | 2 | 2 | - | - | - | - | - |
| | (6 stud hubs) | 4 | - | - | - | - | - | - | - | - | 2 | 2 | - | - | - | - | - | - | - |
| | (6 stud hubs) | 4 | - | - | - | - | - | - | - | - | - | - | 2 | 2 | - | - | - | - | - |
| | (disc wheels) (Hydraulic Brakes) | | - | - | - | - | - | - | - | - | - | - | - | - | 2 | - | - | - | - |
| | Screw or Bolt, 1/2"-13 x 3/4" | | - | - | - | - | - | - | - | - | - | - | - | - | - | 10 | - | - | - |

★ Indicates use as required.

☐ Indicates parts not listed in any previous parts books.

Series No. (1 indicates B-1 Series) (2 indicates B-2 Series) (3 indicates B-3 Series) (4 indicates B-4 Series)

Where no Series No. is shown part is for B-1, B-2, B-3 and B-4 Series.

* Indicates change or addition.

Prices and specifications subject to change without notice.

| CODE | PART NAME AND DESCRIPTION | SERIES NO. | MODEL CODES | | | | | | | | | | | | | PART NO. | | | | |
|---------------------------|---|------------|-------------|---|----|----|---|--------|----|----|----------|----|----|---|----|----------|----|----|----|----------|
| | | | B | C | D | F | G | H & HH | FM | GM | HM & HHM | J | JM | K | KM | | R | T | V | Y |
| WHEEL BRAKE DRUM - Cont'd | | | | | | | | | | | | | | | | | | | | |
| 22-04-2 | DRUM, Rear Wheel (disc wheels) | - | - | - | - | - | - | - | - | - | - | - | - | - | - | 2 | - | - | - | 1192 557 |
| | (Air Brakes) | - | - | - | - | - | - | - | - | - | - | - | - | - | - | 10 | - | - | - | 137 332 |
| | Screw or Bolt, 1/2"-13 x 1" | - | - | - | - | - | - | - | - | - | - | - | - | - | - | - | - | - | - | - |
| | DRUM, Rear Wheel | - | - | - | - | - | - | - | - | - | - | - | - | - | - | 2 | - | - | - | 1194 090 |
| | (steel spoke wheels) (Hydraulic Brakes) | - | - | - | - | - | - | - | - | - | - | - | - | - | - | 2 | - | - | - | 1262 812 |
| | (steel spoke wheels) (Air Brakes) | 1 | - | - | - | - | - | - | - | - | - | - | - | - | - | 2 | - | - | - | - |
| | (steel spoke wheels) (Air Brakes) (up to serial No. 81858802) | 2 | - | - | - | - | - | - | - | - | - | - | - | - | - | 2 | - | - | - | 1262 812 |
| | (steel spoke wheels) (Air Brakes) (after serial No. 81858802) | 2 | - | - | - | - | - | - | - | - | - | - | - | - | - | 2 | - | - | - | 1270 392 |
| | (steel spoke wheels) (Air Brakes) | 3, 4 | - | - | - | - | - | - | - | - | - | - | - | - | - | 2 | - | - | - | 1270 392 |
| | (disc wheels) | - | - | - | - | - | - | - | - | - | - | - | - | - | - | 2 | - | - | - | 1192 017 |
| | (steel spoke wheels) | - | - | - | - | - | - | - | - | - | - | - | - | - | - | 2 | - | - | - | 1262 814 |
| | (disc wheels) | - | - | - | - | - | - | - | - | - | - | - | - | - | - | - | 2 | 2 | - | 1192 540 |
| | (steel spoke wheels) | - | - | - | - | - | - | - | - | - | - | - | - | - | - | - | 2 | 2 | - | 1262 813 |
| | Screw or Bolt, 1/2"-13 x 1" | - | - | - | - | - | - | - | - | - | - | - | - | - | - | 10 | 10 | 10 | - | 137 332 |
| 22-04-6 | BOLT, Brake Drum (rear) (5" wider tread or Express hubs) | 1, 2 | - | - | 10 | 10 | - | - | - | - | - | - | - | - | - | - | - | - | - | 1188 037 |
| | Nut | 3, 4 | - | - | 10 | 10 | - | - | - | - | - | - | - | - | - | - | - | - | - | 1272 955 |
| | Washer, lock | - | - | - | 10 | 10 | - | - | - | - | - | - | - | - | - | - | - | - | - | 120 371 |
| | BOLT (front) | - | - | - | 10 | 10 | - | - | - | - | - | - | - | - | - | - | - | - | - | 120 384 |
| | Nut | 1, 2 | - | - | - | - | - | - | - | 10 | 10 | 10 | 10 | - | - | - | - | - | - | 1188 037 |
| | Nut | 3, 4 | - | - | - | - | - | - | - | 10 | 10 | - | - | - | - | - | - | - | - | 126 016 |
| | Washer | 3, 4 | - | - | - | - | - | - | - | 10 | 10 | - | - | - | - | - | - | - | - | 120 371 |
| | Nut | - | - | - | - | - | - | - | - | - | - | 10 | 10 | - | - | - | - | - | - | 120 384 |
| | BOLT (front) (disc wheels) | 1, 2 | - | - | - | - | - | - | - | - | - | - | - | - | 10 | 10 | 10 | 10 | - | 126 016 |
| | Nut | 3, 4 | - | - | - | - | - | - | - | - | - | - | - | - | 10 | 10 | 10 | 10 | - | 1188 037 |
| | BOLT (front) (steel spoke wheels) | - | - | - | - | - | - | - | - | - | - | - | - | - | - | 10 | 10 | 10 | 10 | 1269 628 |
| | Washer, lock | - | - | - | - | - | - | - | - | - | - | - | - | - | - | 12 | 12 | 12 | 12 | 126 016 |
| | BOLT (rear) (steel spoke wheels) | - | - | - | - | - | - | - | - | - | - | - | - | - | - | 12 | 12 | 12 | 12 | 1194 078 |
| | Nut | - | - | - | - | - | - | - | - | - | - | - | - | - | - | 12 | - | - | - | 120 384 |
| | Washer, lock | - | - | - | - | - | - | - | - | - | - | - | - | - | - | 12 | - | - | - | 1194 095 |
| | BOLT (rear) (steel spoke wheels) | - | - | - | - | - | - | - | - | - | - | - | - | - | - | 12 | - | - | - | 120 371 |
| | Nut | - | - | - | - | - | - | - | - | - | - | - | - | - | - | 12 | - | - | - | 120 384 |
| | Washer, lock | - | - | - | - | - | - | - | - | - | - | - | - | - | - | - | 12 | - | - | 120 384 |
| | BOLT (rear) (steel spoke wheels) | - | - | - | - | - | - | - | - | - | - | - | - | - | - | - | 12 | - | - | 1194 110 |
| | Nut | - | - | - | - | - | - | - | - | - | - | - | - | - | - | - | 12 | 12 | - | 1194 109 |
| | Washer, lock | - | - | - | - | - | - | - | - | - | - | - | - | - | - | 12 | 12 | 12 | - | 121 358 |
| 22-04-17 | OIL SLINGER, Rear Drum | - | - | 2 | - | - | - | - | - | - | - | - | - | - | - | - | - | - | - | 121 574 |
| | (disc wheels) | - | - | - | - | - | - | - | - | - | - | - | - | - | - | - | - | - | - | 915 616 |
| | (steel spoke wheels) | 1 | - | - | - | - | - | - | - | - | - | - | - | - | - | 2 | - | - | - | 1191 857 |
| | (steel spoke wheels) (Hydraulic Brakes) | 2, 3, 4 | - | - | - | - | - | - | - | - | - | - | - | - | - | 2 | - | - | - | 1194 096 |
| | (steel spoke wheels) (Air Brakes) (up to serial No. 81858802) | 2 | - | - | - | - | - | - | - | - | - | - | - | - | - | 2 | - | - | - | 1194 096 |
| | (steel spoke wheels) (Air Brakes) (after serial No. 81858802) | 2 | - | - | - | - | - | - | - | - | - | - | - | - | - | 2 | - | - | - | 1270 350 |
| | (steel spoke wheels) (Air Brakes) | 3, 4 | - | - | - | - | - | - | - | - | - | - | - | - | - | 2 | - | - | - | 1270 350 |
| | (disc wheels) | 1 | - | - | - | - | - | - | - | - | - | - | - | - | - | - | 2 | 2 | - | 1192 021 |
| | (disc wheels) | 2, 3, 4 | - | - | - | - | - | - | - | - | - | - | - | - | - | - | 2 | - | - | 1266 714 |
| | (disc wheels) | 2, 3, 4 | - | - | - | - | - | - | - | - | - | - | - | - | - | - | 2 | 2 | - | 1267 526 |
| | (steel spoke wheels) | - | - | - | - | - | - | - | - | - | - | - | - | - | - | - | 2 | - | - | 1194 112 |
| | (steel spoke wheels) | - | - | - | - | - | - | - | - | - | - | - | - | - | - | - | 2 | 2 | - | 1194 108 |
| 22-04-28 | COVER, Inspection Hole | - | - | - | - | - | - | - | - | - | - | - | - | - | - | - | 2 | 2 | 2 | 597 539 |
| | (rear) (disc wheels) | - | - | - | - | - | - | - | - | - | - | - | - | - | - | - | 2 | 2 | - | 121 852 |
| | Screw or Bolt, 3/8"-16 x 1/2" | 3, 4 | - | - | - | - | - | - | - | - | - | - | - | - | - | - | - | - | - | 121 852 |
| | Screw or Bolt, 3/8"-16 x 1/2" | - | - | - | - | - | - | - | - | - | - | - | - | - | - | - | - | - | - | 121 852 |
| | Washer, lock | - | - | - | - | - | - | - | - | - | - | - | - | - | - | 2 | 2 | 2 | - | 138 489 |

★Indicates use as required.

Prices and specifications subject to change without notice.

☐Indicates parts not listed in any previous parts books.

Series No. (1 indicates B-1 Series) (2 indicates B-2 Series) (3 indicates B-3 Series) (4 indicates B-4 Series)

Where no Series No. is shown part is for B-1, B-2, B-3 and B-4 Series.

April 6, 1953 Supersedes Dec. 31, 1952.

| CODE | PART NAME AND DESCRIPTION | SERIES NO. | MODEL CODES | | | | | | | | | | | | | PART NO. | | | | |
|---------------------------|---|------------|-------------|---|---|---|---|------|----|----|----------|---|----|---|----|----------|---|---|---|-----------|
| | | | B | C | D | F | G | H&HH | FM | GM | HM & HHM | J | JM | K | KM | | R | T | V | Y |
| WHEEL BRAKE DRUM - Cont'd | | | | | | | | | | | | | | | | | | | | |
| 22-04-29 | SCREW, Inspection Hole Cover (rear) (disc wheels) | 1, 2 | - | - | - | - | - | - | - | - | - | - | - | - | - | - | 2 | 2 | - | 597 540 |
| | Washer, lock | - | - | - | - | - | - | - | - | - | - | - | - | - | - | - | 2 | 2 | - | 138 489 |
| WHEEL HUB (DISC WHEELS) | | | | | | | | | | | | | | | | | | | | |
| 22-05-1 | HUB, Front Wheel, w/CUPS (right) | - | 1 | - | - | - | - | - | - | - | - | - | - | - | - | - | - | - | - | 682 555 |
| | (left) | - | 1 | - | - | - | - | - | - | - | - | - | - | - | - | - | - | - | - | 856 955 |
| | | - | - | 2 | - | - | - | - | - | - | - | - | - | - | - | - | - | - | - | 923 063 |
| | | 1, 2 | - | 2 | - | - | - | - | - | - | - | - | - | - | - | - | - | - | - | * 921 535 |
| | (up to serial No. 81460894 Det. Built and 86012210 S.L. Built) | 3 | - | 2 | - | - | - | - | - | - | - | - | - | - | - | - | - | - | - | * 921 535 |
| | (after serial No. 81460894 Det. Built and 86012210 S.L. Built) | 3 | - | 2 | - | - | - | - | - | - | - | - | - | - | - | - | - | - | - | □1502 064 |
| | | 4 | - | 2 | - | - | - | - | - | - | - | - | - | - | - | - | - | - | - | □1502 064 |
| | (3750 lb. front axle) (see note) | - | - | - | 2 | 2 | - | - | - | - | - | - | - | - | - | - | - | - | - | 1194 221 |
| | (4500 lb. front axle) (see note) | - | - | - | 2 | 2 | - | - | - | - | - | - | - | - | - | - | - | - | - | 1261 184 |
| | | - | - | - | - | 2 | 2 | 2 | 2 | - | - | - | - | - | - | - | - | - | - | 1261 184 |
| | (right) (5 stud) | - | - | - | - | - | - | - | - | 1 | 1 | - | - | - | - | - | - | - | - | 1195 238 |
| | (left) (5 stud) | - | - | - | - | - | - | - | - | 1 | 1 | - | - | - | - | - | - | - | - | 1195 239 |
| | (right) (6 stud) | 1 | - | - | - | - | - | - | - | 1 | 1 | 1 | 1 | - | - | - | - | - | - | 1195 248 |
| | (left) (6 stud) | 1 | - | - | - | - | - | - | - | 1 | 1 | 1 | 1 | - | - | - | - | - | - | 1195 249 |
| | (right) (6 stud) (B-2-J and B-2-K up to serial No. 82805805 Det. and 88600171 Cal. Built; B-2-JM and B-2-KM up to serial No. 82950496 Det. and 88680026 Cal. Built) | 2 | - | - | - | - | - | - | - | 1 | 1 | 1 | 1 | - | - | - | - | - | - | 1195 248 |
| | (left) (6 stud) (B-2-J and B-2-K up to serial No. 82805805 Det. and 88600171 Cal. Built; B-2-JM and B-2-KM up to serial No. 82950496 Det. and 88680026 Cal. Built) | 2 | - | - | - | - | - | - | - | 1 | 1 | 1 | 1 | - | - | - | - | - | - | 1195 249 |
| | (right) (6 stud) (B-2-J and B-2-K after serial No. 82805805 Det. and 88600171 Cal. Built; B-2-JM and B-2-KM after serial No. 82950496 Det. and 88680026 Cal. Built) | 2 | - | - | - | - | - | - | - | 1 | 1 | 1 | 1 | - | - | - | - | - | - | 1270 094 |
| | (left) (6 stud) (B-2-J and B-2-K after serial No. 82805805 Det. and 88600171 Cal. Built; B-2-JM and B-2-KM after serial No. 82950496 Det. and 88680026 Cal. Built) | 2 | - | - | - | - | - | - | - | 1 | 1 | 1 | 1 | - | - | - | - | - | - | 1270 095 |
| | (right) (6 stud) | 3, 4 | - | - | - | - | - | - | - | 1 | 1 | 1 | 1 | - | - | - | - | - | - | 1270 094 |
| | (left) (6 stud) | 3, 4 | - | - | - | - | - | - | - | 1 | 1 | 1 | 1 | - | - | - | - | - | - | 1270 095 |
| | (right) (knockout type stud) (5000 lb. front axle) (see note) | 1, 2 | - | - | - | - | - | - | - | - | - | - | - | 1 | - | - | - | - | - | 1260 502 |
| | (left) (knockout type stud) (5000 lb. front axle) (see note) | 1, 2 | - | - | - | - | - | - | - | - | - | - | - | 1 | - | - | - | - | - | 1260 503 |
| | (right) (rivet type stud) (5000 lb. front axle) (see note) | 1, 2 | - | - | - | - | - | - | - | - | - | - | - | 1 | - | - | - | - | - | 1270 178 |
| | (left) (rivet type stud) (5000 lb. front axle) (see note) | 1, 2 | - | - | - | - | - | - | - | - | - | - | - | 1 | - | - | - | - | - | 1270 179 |

★ Indicates use as required.

□ Indicates parts not listed in any previous parts books.

Series No. (1 indicates B-1 Series) (2 indicates B-2 Series) (3 indicates B-3 Series) (4 indicates B-4 Series)

Where no Series No. is shown part is for B-1, B-2, B-3 and B-4 Series.

* Indicates change or addition.

Prices and specifications subject to change without notice.

| CODE | PART NAME AND DESCRIPTION | SERIES NO. | MODEL CODES | | | | | | | | | | | | | PART NO. | | | |
|----------------------------------|--|------------|-------------|---|---|---|---|--------|----|----|----------|---|----|---|----|----------|---|---|----------|
| | | | B | C | D | F | G | H & HH | FM | GM | HM & HHM | J | JM | K | KM | | R | T | V |
| WHEEL HUB (DISC WHEELS) - Cont'd | | | | | | | | | | | | | | | | | | | |
| 22-05-1 | HUB, Front Wheel, w/CUPS (right) (5000 lb. front axle) (see note) | 3, 4 | - | - | - | - | - | - | - | - | - | - | - | - | - | 1 | - | - | 1270 178 |
| | (left) (5000 lb. front axle) (see note) | 3, 4 | - | - | - | - | - | - | - | - | - | - | - | - | - | 1 | - | - | 1270 179 |
| | (right) (knockout type stud) (5500 lb. and 6000 lb. front axle) (see note) | 1, 2 | - | - | - | - | - | - | - | - | - | - | - | - | - | 1 | 1 | 1 | 1261 082 |
| | (left) (knockout type stud) (5500 lb. and 6000 lb. front axle) (see note) | 1, 2 | - | - | - | - | - | - | - | - | - | - | - | - | - | 1 | 1 | 1 | 1261 083 |
| | (right) (rivet type stud) (5500 lb. and 6000 lb. front axle) (see note) | 1, 2 | - | - | - | - | - | - | - | - | - | - | - | - | - | 1 | 1 | 1 | 1270 064 |
| | (left) (rivet type stud) (5500 lb. and 6000 lb. front axle) (see note) | 1, 2 | - | - | - | - | - | - | - | - | - | - | - | - | - | 1 | 1 | 1 | 1270 065 |
| | (right) (5500 lb. and 6000 lb. front axle) (see note) | 3, 4 | - | - | - | - | - | - | - | - | - | - | - | - | - | 1 | 1 | 1 | 1270 064 |
| | (left) (5500 lb. and 6000 lb. front axle) (see note) | 3, 4 | - | - | - | - | - | - | - | - | - | - | - | - | - | 1 | 1 | 1 | 1270 065 |
| | (right) (7500 lb. front axle) (see note) | 1, 2 | - | - | - | - | - | - | - | - | - | - | - | - | - | 1 | 1 | - | 1261 088 |
| | (left) (7500 lb. front axle) (see note) | 1, 2 | - | - | - | - | - | - | - | - | - | - | - | - | - | 1 | 1 | - | 1261 089 |
| | (right) (8000 lb. front axle) (see note) | - | - | - | - | - | - | - | - | - | - | - | - | - | - | 1 | 1 | 1 | 1269 622 |
| | (left) (8000 lb. front axle) (see note) | - | - | - | - | - | - | - | - | - | - | - | - | - | - | 1 | 1 | 1 | 1269 623 |

NOTES

★ Indicates use as required. Prices and specifications subject to change without notice.

⊠ Indicates parts not listed in any previous parts books.

Series No. (1 indicates B-1 Series) (2 indicates B-2 Series) (3 indicates B-3 Series) (4 indicates B-4 Series)

Where no Series No. is shown part is for B-1, B-2, B-3 and B-4 Series.

April 6, 1953 Supersedes Dec. 31, 1952. Page 22-12B

* Indicates change or addition. Printed in U.S.A.

| CODE | PART NAME AND DESCRIPTION | SERIES NO. | MODEL CODES | | | | | | | | | | | | | PART NO. | | | | |
|----------------------------------|--|------------|-------------|---|---|---|---|--------|----|----|----------|---|----|---|----|----------|---|---|---|----------|
| | | | B | C | D | F | G | H & HH | FM | GM | HM & HHM | J | JM | K | KM | | R | T | V | Y |
| WHEEL HUB (DISC WHEELS) - Cont'd | | | | | | | | | | | | | | | | | | | | |
| 22-05-4 | HUB, Rear Wheel, w/CUPS | - | - | - | 2 | - | - | - | - | - | - | - | - | - | - | - | - | - | - | 915 614 |
| | (right) (std. tread) (Hypoid Axle) | - | - | - | 1 | 1 | - | 1 | 1 | - | - | - | - | - | - | - | - | - | - | 1193 682 |
| | (left) (std. tread) (Hypoid Axle) | - | - | - | 1 | 1 | - | 1 | 1 | - | - | - | - | - | - | - | - | - | - | 1193 683 |
| | (right) (5" wider tread or express hubs) (Hypoid Axle) . . | - | - | - | 1 | 1 | - | - | - | - | - | - | - | - | - | - | - | - | - | 1193 688 |
| | (left) (5" wider tread or express hubs) (Hypoid Axle) | - | - | - | 1 | 1 | - | - | - | - | - | - | - | - | - | - | - | - | - | 1193 689 |
| | (right) (2 Speed Axle) | 1 | - | - | 1 | 1 | - | 1 | 1 | - | - | - | - | - | - | - | - | - | - | 912 610 |
| | (left) (2 Speed Axle) | 1 | - | - | 1 | 1 | - | 1 | 1 | - | - | - | - | - | - | - | - | - | - | 912 611 |
| | (right) (std. 2 Speed Axle) | 2 | - | - | 1 | 1 | - | 1 | 1 | - | - | - | - | - | - | - | - | - | - | 1193 682 |
| | (left) (std. 2 Speed Axle) | 2 | - | - | 1 | 1 | - | 1 | 1 | - | - | - | - | - | - | - | - | - | - | 1193 683 |
| | (right) (heavy 2 Speed Axle) | 2 | - | - | 1 | 1 | - | 1 | 1 | - | - | - | - | - | - | - | - | - | - | 912 610 |
| | (left) (heavy 2 Speed Axle) | 2 | - | - | 1 | 1 | - | 1 | 1 | - | - | - | - | - | - | - | - | - | - | 912 611 |
| | (right) (2 Speed Axle) | 3,4 | - | - | 1 | 1 | - | 1 | 1 | - | - | - | - | - | - | - | - | - | - | 1193 682 |
| | (left) (2 Speed Axle) | 3,4 | - | - | 1 | 1 | - | 1 | 1 | - | - | - | - | - | - | - | - | - | - | 1193 683 |
| | (right) (5 stud) | - | - | - | - | - | 1 | - | 1 | 1 | - | - | - | - | - | - | - | - | - | 912 610 |
| | (left) (5 stud) | - | - | - | - | - | 1 | - | 1 | 1 | - | - | - | - | - | - | - | - | - | 912 611 |
| | (right) (6 stud) | - | - | - | - | - | - | - | 1 | 1 | - | - | - | - | - | - | - | - | - | 1195 226 |
| | (left) (6 stud) | - | - | - | - | - | - | - | 1 | 1 | - | - | - | - | - | - | - | - | - | 1195 227 |
| | (right) | - | - | - | - | - | - | - | - | 1 | 1 | - | - | - | - | - | - | - | - | 1196 224 |
| | (left) | - | - | - | - | - | - | - | - | 1 | 1 | - | - | - | - | - | - | - | - | 1196 225 |
| | 1 | - | - | - | - | - | - | - | - | - | - | - | - | - | 2 | - | - | - | - | 1191 849 |
| | 2,3,4 | - | - | - | - | - | - | - | - | - | - | - | - | - | 2 | - | - | - | - | 1266 444 |
| | (right) | 1 | - | - | - | - | - | - | - | - | - | - | - | - | - | 1 | - | - | - | 1192 014 |
| | (left) | 1 | - | - | - | - | - | - | - | - | - | - | - | - | - | 1 | - | - | - | 1192 015 |
| | (right) | 2,3,4 | - | - | - | - | - | - | - | - | - | - | - | - | - | 1 | - | - | - | 1266 710 |
| | (left) | 2,3,4 | - | - | - | - | - | - | - | - | - | - | - | - | - | 1 | - | - | - | 1266 711 |
| | (right) | - | - | - | - | - | - | - | - | - | - | - | - | - | - | - | 1 | - | - | 1268 294 |
| | (left) | 1 | - | - | - | - | - | - | - | - | - | - | - | - | - | - | 1 | - | - | 1192 537 |
| | (left) | 2,3,4 | - | - | - | - | - | - | - | - | - | - | - | - | - | - | 1 | - | - | 1268 295 |
| | (right) (Q100, Q200 and Q300 Series Axle) (see identifying illustrations in Group 3 - Rear Axle) | - | - | - | - | - | - | - | - | - | - | - | - | - | - | - | - | - | 1 | 1268 294 |
| | (left) (Q100, Q200 and Q300 Series Axle) (see identifying illustrations in Group 3 - Rear Axle) | - | - | - | - | - | - | - | - | - | - | - | - | - | - | - | - | - | 1 | 1268 295 |
| | (R100, R200 and R300 Series Axle) (see identifying illustrations in Group 3 - Rear Axle) | - | - | - | - | - | - | - | - | - | - | - | - | - | - | - | - | - | 1 | 1268 295 |
| 22-05-5 | HUB, Rear Wheel, w/o Cups | - | - | - | - | - | - | - | - | - | - | - | - | - | - | - | - | - | 2 | 1267 524 |
| | (right) | - | 1 | - | - | - | - | - | - | - | - | - | - | - | - | - | - | - | - | 1118 868 |
| | (left) | - | 1 | - | - | - | - | - | - | - | - | - | - | - | - | - | - | - | - | 1118 869 |
| | Rivet | - | - | 2 | - | - | - | - | - | - | - | - | - | - | - | - | - | - | - | 1194 136 |
| | | - | 8 | - | - | - | - | - | - | - | - | - | - | - | - | - | - | - | - | 104 102 |

★Indicates use as required.

☐Indicates parts not listed in any previous parts books.

Series No. (1 indicates B-1 Series) (2 indicates B-2 Series) (3 indicates B-3 Series) (4 indicates B-4 Series)

Where no Series No. is shown part is for B-1, B-2, B-3 and B-4 Series.

* Indicates change or addition.

Prices and specifications subject to change without notice.

| CODE | PART NAME AND DESCRIPTION | SERIES NO. | MODEL CODES | | | | | | | | | | | | | | PART NO. | | |
|----------------------------------|---|------------|-------------|----|----|---|---|--------|----|----|----------|---|----|----|----|----|----------|----|---|
| | | | B | C | D | F | G | H & HH | FM | GM | HM & HHM | J | JM | K | KM | R | | T | V |
| WHEEL HUB (DISC WHEELS) - Cont'd | | | | | | | | | | | | | | | | | | | |
| 22-05-14 | BOLT, Front and Rear Wheel | | | | | | | | | | | | | | | | | | |
| | (right) | - | 10 | - | - | - | - | - | - | - | - | - | - | - | - | - | - | - | - |
| | (left) | - | 10 | - | - | - | - | - | - | - | - | - | - | - | - | - | - | - | - |
| | STUD, Front and Rear Wheel | | | | | | | | | | | | | | | | | | |
| | (right) | - | - | 10 | - | - | - | - | - | - | - | - | - | - | - | - | - | - | - |
| | (left) | - | - | 10 | - | - | - | - | - | - | - | - | - | - | - | - | - | - | - |
| | (right) | 1 | - | - | 12 | - | - | - | - | - | - | - | - | - | - | - | - | - | - |
| | (left) | 1 | - | - | 12 | - | - | - | - | - | - | - | - | - | - | - | - | - | - |
| | STUD, front wheel (right) (up to serial No. 81292833 except on 81291189 thru 81292000 Det. Built; up to serial No. 86009273 Cal. Built) | 2 | - | - | 6 | - | - | - | - | - | - | - | - | - | - | - | - | - | - |
| | (left) (up to serial No. 81292833 except on 81291189 thru 81292000 Det. Built; up to serial No. 86009273 Cal. Built) | 2 | - | - | 6 | - | - | - | - | - | - | - | - | - | - | - | - | - | - |
| | (right) (after serial No. 81292833 also on 81291189 thru 81292000 Det. Built; after serial No. 86009273 Cal. Built) | 2 | - | - | 6 | - | - | - | - | - | - | - | - | - | - | - | - | - | - |
| | (left) (after serial No. 81292833 also on 81291189 thru 81292000 Det. Built; after serial No. 86009273 Cal. Built) | 2 | - | - | 6 | - | - | - | - | - | - | - | - | - | - | - | - | - | - |
| | (right) | 3,4 | - | - | 6 | - | - | - | - | - | - | - | - | - | - | - | - | - | - |
| | (left) | 3,4 | - | - | 6 | - | - | - | - | - | - | - | - | - | - | - | - | - | - |
| | (right) (3750 lb. front axle) (see note) | 1 | - | - | - | 5 | - | - | - | - | - | - | - | - | - | - | - | - | - |
| | (left) (3750 lb. front axle) (see note) | 1 | - | - | - | 5 | - | - | - | - | - | - | - | - | - | - | - | - | - |
| | (right) (3750 lb. front axle) (see note) | 2,3,4 | - | - | - | 5 | 5 | - | - | - | - | - | - | - | - | - | - | - | - |
| | (left) (3750 lb. front axle) (see note) | 2,3,4 | - | - | - | 5 | 5 | - | - | - | - | - | - | - | - | - | - | - | - |
| | (right) (4500 lb. front axle) (see note) | - | - | - | - | 5 | 5 | - | - | - | - | - | - | - | - | - | - | - | - |
| | (left) (4500 lb. front axle) (see note) | - | - | - | - | 5 | 5 | - | - | - | - | - | - | - | - | - | - | - | - |
| | (right) | - | - | - | - | - | 5 | 5 | - | - | - | - | - | - | - | - | - | - | - |
| | (left) | - | - | - | - | - | 5 | 5 | - | - | - | - | - | - | - | - | - | - | - |
| | (right) | - | - | - | - | - | - | - | - | ★ | ★ | 6 | 6 | - | - | - | - | - | - |
| | (left) | - | - | - | - | - | - | - | - | ★ | ★ | 6 | 6 | - | - | - | - | - | - |
| | (right) (knockout type) | - | - | - | - | - | - | - | - | - | - | - | - | 10 | 10 | 10 | 10 | - | - |
| | (left) (knockout type) | - | - | - | - | - | - | - | - | - | - | - | - | 10 | 10 | 10 | 10 | - | - |
| | (right) (rivet type) | - | - | - | - | - | - | - | - | - | - | - | - | 10 | 10 | 10 | 10 | - | - |
| | (left) (rivet type) | - | - | - | - | - | - | - | - | - | - | - | - | 10 | 10 | 10 | 10 | - | - |
| | (right) (serrated type) | - | - | - | - | - | - | - | - | - | - | - | - | - | 10 | 10 | 10 | 10 | - |
| | (left) (serrated type) | - | - | - | - | - | - | - | - | - | - | - | - | - | 10 | 10 | 10 | 10 | - |
| | STUD, Rear Wheel (right) (up to serial No. 81292814 except on 81291189 thru 81292000 Det. Built; up to serial No. 86009273 Cal. Built) | 2 | - | - | 6 | - | - | - | - | - | - | - | - | - | - | - | - | - | - |
| | (left) (up to serial No. 81292814 except on 81291189 thru 81292000 Det. Built; up to serial No. 86009273 Cal. Built) | 2 | - | - | 6 | - | - | - | - | - | - | - | - | - | - | - | - | - | - |

★ Indicates use as required.

☐ Indicates parts not listed in any previous parts books.

Series No. (1 indicates B-1 Series) (2 indicates B-2 Series) (3 indicates B-3 Series) (4 indicates B-4 Series)

Where no Series No. is shown part is for B-1, B-2, B-3 and B-4 Series.

December 31, 1952

Prices and specifications subject to change without notice.

Printed in U.S.A.

| CODE | PART NAME AND DESCRIPTION | SERIES NO. | MODEL CODES | | | | | | | | | | | | | PART NO. | | | |
|----------------------------------|--|------------|-------------|----|----|---|----|--------|----|----|----------|---|----|----|----|----------|----|----|----------|
| | | | B | C | D | F | G | H & HH | FM | GM | HM & HHM | J | JM | K | KM | | R | T | V |
| WHEEL HUB (DISC WHEELS) - Cont'd | | | | | | | | | | | | | | | | | | | |
| 22-05-14 | STUD, Rear Wheel (right) (after serial No. 81292814 also on 81291189 thru 81292000 Det. Built; after serial No. 86009273 Cal. Built) | 2 | - | - | 6 | - | - | - | - | - | - | - | - | - | - | - | - | - | 1273 576 |
| | (left) (after serial No. 81292814 also on 81291189 thru 81292000 Det. Built; after serial No. 86009273 Cal. Built) | 2 | - | - | 6 | - | - | - | - | - | - | - | - | - | - | - | - | - | 1273 577 |
| | (right) | 3,4 | - | - | 6 | - | - | - | - | - | - | - | - | - | - | - | - | - | 1273 576 |
| | (left) | 3,4 | - | - | 6 | - | - | - | - | - | - | - | - | - | - | - | - | - | 1273 577 |
| | (right) (std. tread hubs) | - | - | - | 5 | 5 | - | - | - | - | - | - | - | - | - | - | - | - | 532 062 |
| | (left) (std. tread hubs) | - | - | - | 5 | 5 | - | - | - | - | - | - | - | - | - | - | - | - | 532 063 |
| | (right) (5" wider tread or Express hubs) | - | - | - | 5 | 5 | - | - | - | - | - | - | - | - | - | - | - | - | 924 628 |
| | (left) (5" wider tread or Express hubs) | - | - | - | 5 | 5 | - | - | - | - | - | - | - | - | - | - | - | - | 924 629 |
| | (right) | - | - | - | - | - | 5 | 5 | 5 | 5 | 5 | ★ | ★ | 6 | 6 | - | - | - | 532 062 |
| | (left) | - | - | - | - | - | 5 | 5 | 5 | 5 | 5 | ★ | ★ | 6 | 6 | - | - | - | 532 063 |
| | (right) (Hydraulic Brakes) | - | - | - | - | - | - | - | - | - | - | - | - | - | - | 10 | - | - | 1191 846 |
| | (left) (Hydraulic Brakes) | - | - | - | - | - | - | - | - | - | - | - | - | - | - | 10 | - | - | 1191 847 |
| | (right) (Air Brakes) | - | - | - | - | - | - | - | - | - | - | - | - | - | - | 10 | - | - | 1192 558 |
| | (left) (Air Brakes) | - | - | - | - | - | - | - | - | - | - | - | - | - | - | 10 | - | - | 1192 559 |
| | (right) | 1 | - | - | - | - | - | - | - | - | - | - | - | - | - | 10 | 10 | - | 1192 018 |
| | (left) | 1 | - | - | - | - | - | - | - | - | - | - | - | - | - | 10 | 10 | - | 1192 019 |
| | (right) | 2,3,4 | - | - | - | - | - | - | - | - | - | - | - | - | - | 10 | 10 | 10 | 1192 558 |
| | (left) | 2,3,4 | - | - | - | - | - | - | - | - | - | - | - | - | - | 10 | 10 | 10 | 1192 559 |
| | Nut | - | - | - | - | - | 10 | 10 | 10 | 10 | ★ | ★ | 12 | 12 | - | - | - | - | 124 645 |
| | Nut | - | - | - | - | - | - | - | - | - | - | - | - | - | 40 | 40 | 40 | 40 | 128 180 |
| 22-05-24 | NUT, Front and Rear Wheel Stud (right) | - | - | 10 | - | - | - | - | - | - | - | - | - | - | - | - | - | - | 580 738 |
| | (left) | - | - | 10 | - | - | - | - | - | - | - | - | - | - | - | - | - | - | 580 739 |
| | (right) | 1 | - | - | 12 | - | - | - | - | - | - | - | - | - | - | - | - | - | 913 812 |
| | (left) | 1 | - | - | 12 | - | - | - | - | - | - | - | - | - | - | - | - | - | 913 813 |
| | NUT, Front Wheel Stud (right) (up to serial No. 81292833 except on 81291189 thru 81292000 Det. Built; up to serial No. 86009273 Cal. Built) . | 2 | - | - | 6 | - | - | - | - | - | - | - | - | - | - | - | - | - | 913 812 |
| | (left) (up to serial No. 81292833 except on 81291189 thru 81292000 Det. Built; up to serial No. 86009273 Cal. Built) | 2 | - | - | 6 | - | - | - | - | - | - | - | - | - | - | - | - | - | 913 813 |
| | (right) (after serial No. 81292833 also on 81291189 thru 81292000 Det. Built; after serial No. 86009273 Cal. Built) | 2 | - | - | 6 | - | - | - | - | - | - | - | - | - | - | - | - | - | 1273 556 |
| | (left) (after serial No. 81292833 also on 81291189 thru 81292000 Det. Built; after serial No. 86009273 Cal. Built) | 2 | - | - | 6 | - | - | - | - | - | - | - | - | - | - | - | - | - | 1273 557 |
| | (right) | 3,4 | - | - | 6 | - | - | - | - | - | - | - | - | - | - | - | - | - | 1273 556 |
| | (left) | 3,4 | - | - | 6 | - | - | - | - | - | - | - | - | - | - | - | - | - | 1273 557 |
| | (right) | - | - | - | 5 | 5 | 5 | 5 | 5 | 5 | 5 | ★ | ★ | 6 | 6 | 10 | 10 | 10 | 585 192 |
| | (left) | - | - | - | 5 | 5 | 5 | 5 | 5 | 5 | 5 | ★ | ★ | 6 | 6 | 10 | 10 | 10 | 585 193 |

★Indicates use as required.

□Indicates parts not listed in any previous parts books.

Series No. (1 indicates B-1 Series) (2 indicates B-2 Series) (3 indicates B-3 Series) (4 indicates B-4 Series)

Where no Series No. is shown part is for B-1, B-2, B-3 and B-4 Series.

Prices and specifications subject to change without notice.

| CODE | PART NAME AND DESCRIPTION | SERIES NO. | MODEL CODES | | | | | | | | | | | | | PART NO. | | | |
|----------------------------------|---|------------|-------------|---|---|---|---|--------|----|----|----------|---|----|---|----|----------|----|----|----------|
| | | | B | C | D | F | G | H & HH | FM | GM | HM & HHM | J | JM | K | KM | | R | T | V |
| WHEEL HUB (DISC WHEELS) - Cont'd | | | | | | | | | | | | | | | | | | | |
| 22-05-24 | NUT, Rear Wheel Stud (right) (up to serial No. 81292814 except on 81291189 thru 81292000 Det. Built; up to serial No. 86009273 Cal. Built) | 2 | - | - | 6 | - | - | - | - | - | - | - | - | - | - | - | - | - | 913 812 |
| | NUT, Rear Wheel Stud (left) (up to serial No. 81292814 except on 81291189 thru 81292000 Det. Built; up to serial No. 86009273 Cal. Built) | 2 | - | - | 6 | - | - | - | - | - | - | - | - | - | - | - | - | - | 913 813 |
| | (right) (after serial No. 81292814 also on 81291189 thru 81292000 Det. Built; after serial No. 86009273 Cal. Built) | 2 | - | - | 6 | - | - | - | - | - | - | - | - | - | - | - | - | - | 1273 556 |
| | (left) (after serial No. 81292814 also on 81291189 thru 81292000 Det. Built; after serial No. 86009273 Cal. Built) | 2 | - | - | 6 | - | - | - | - | - | - | - | - | - | - | - | - | - | 1273 557 |
| | (right) | 3,4 | - | - | 6 | - | - | - | - | - | - | - | - | - | - | - | - | - | 1273 556 |
| | (left) | 3,4 | - | - | 6 | - | - | - | - | - | - | - | - | - | - | - | - | - | 1273 557 |
| | (right) (single wheels) | - | - | - | - | 5 | 5 | - | - | - | - | - | - | - | - | - | - | - | 585 192 |
| | (left) (single wheels) | - | - | - | - | 5 | 5 | - | - | - | - | - | - | - | - | - | - | - | 585 193 |
| | (inner right) (dual wheels) | - | - | - | - | 5 | 5 | 5 | 5 | 5 | ★ | ★ | 6 | 6 | 10 | 10 | 10 | 10 | 503 551 |
| | (inner left) (dual wheels) | - | - | - | - | 5 | 5 | 5 | 5 | 5 | ★ | ★ | 6 | 6 | 10 | 10 | 10 | 10 | 503 550 |
| | (outer right) (dual wheels) | - | - | - | - | 5 | 5 | 5 | 5 | 5 | ★ | ★ | 6 | 6 | 10 | 10 | 10 | 10 | 585 194 |
| | (outer left) (dual wheels) | - | - | - | - | 5 | 5 | 5 | 5 | 5 | ★ | ★ | 6 | 6 | 10 | 10 | 10 | 10 | 585 195 |
| 22-05-45 | RIVET, Front Wheel Hub Pilot | - | 2 | - | - | - | - | - | - | - | - | - | - | - | - | - | - | - | 642 911 |
| FRONT WHEEL BEARINGS | | | | | | | | | | | | | | | | | | | |
| 22-06-1 | CONE and ROLLERS | | | | | | | | | | | | | | | | | | |
| | (inner) | - | 2 | 2 | - | - | - | - | - | - | - | - | - | - | - | - | - | - | 698 395 |
| | (outer) | - | 2 | 2 | - | - | - | - | - | - | - | - | - | - | - | - | - | - | 698 389 |
| | (inner) | - | - | - | 2 | - | - | - | - | - | - | - | - | - | - | - | - | - | 698 410 |
| | (outer) | - | - | - | 2 | - | - | - | - | - | - | - | - | - | - | - | - | - | 913 204 |
| | (inner) (3750 lb. front axle) (see note) | - | - | - | - | 2 | 2 | - | - | - | - | - | - | - | - | - | - | - | 919 265 |
| | (outer) (3750 lb. front axle) (see note) (up to serial No. 80320620 except on 80318872, 80319970 thru 80319993, 80320014 thru 80320017, 80320140 thru 80320367, 80320569 thru 80320618 Det. Built; used on serial No. 86511402 thru 86511591 Cal. Built) | 1 | - | - | - | 2 | - | - | - | - | - | - | - | - | - | - | - | - | 698 402 |
| | (outer) (3750 lb. front axle) (see note) (after serial No. 80320620 also on 80318872, 80319970 thru 80319993, 80320014 thru 80320017, 80320140 thru 80320367, 80320569 thru 80320618 Det. Built; used on all except serial No. 86511402 thru 86511591 Cal. Built) | 1 | - | - | - | 2 | - | - | - | - | - | - | - | - | - | - | - | - | 1262 533 |
| | (outer) (3750 lb. front axle) (see note) | 2,3,4 | - | - | - | 2 | 2 | - | - | - | - | - | - | - | - | - | - | - | 1262 533 |
| | (inner) (4500 lb. front axle) (see note) | - | - | - | - | 2 | 2 | - | - | - | - | - | - | - | - | - | - | - | 918 967 |

★Indicates use as required.

Prices and specifications subject to change without notice.

□Indicates parts not listed in any previous parts books.

Series No. (1 indicates B-1 Series) (2 indicates B-2 Series) (3 indicates B-3 Series) (4 indicates B-4 Series)

Where no Series No. is shown part is for B-1, B-2, B-3 and B-4 Series.

Printed in U.S.A.

| CODE | PART NAME AND DESCRIPTION | SERIES NO. | MODEL CODES | | | | | | | | | | | | | | PART NO. | | |
|-------------------------------|---|------------|-------------|---|---|---|---|--------|----|----|----------|---|----|---|----|---|----------|---|---|
| | | | B | C | D | F | G | H & HH | FM | GM | HM & HHM | J | JM | K | KM | R | | T | V |
| FRONT WHEEL BEARINGS - Cont'd | | | | | | | | | | | | | | | | | | | |
| 22-06-1 | CONE and ROLLERS | | | | | | | | | | | | | | | | | | |
| | (outer) (4500 lb. front axle) | | | | | 2 | 2 | | | | | | | | | | | | |
| | (see note) | | | | | | | | | | | | | | | | | | |
| | (inner) | | | | | | | | 2 | 2 | 2 | 2 | 2 | 2 | 2 | | | | |
| | (outer) | | | | | | | | 2 | 2 | 2 | 2 | 2 | 2 | | | | | |
| | (inner) (5000 lb. front axle) | | | | | | | | | | | | | | | | | | |
| | (see note) | | | | | | | | | | | | | | | | | | |
| | (outer) (5000 lb. front axle) | | | | | | | | | | | | | | | 2 | | | |
| | (see note) | | | | | | | | | | | | | | | | | | |
| | (inner) (5500 lb. and 6000 lb. front axle) (see note) | | | | | | | | | | | | | | | 2 | 2 | 2 | 2 |
| | (outer) (5500 lb. and 6000 lb. front axle) (see note) | | | | | | | | | | | | | | | 2 | 2 | 2 | 2 |
| | (inner) (7500 lb. front axle) | | | | | | | | | | | | | | | 2 | 2 | 2 | 2 |
| | (see note) | 1, 2 | | | | | | | | | | | | | | 2 | 2 | | |
| | (outer) (7500 lb. front axle) | | | | | | | | | | | | | | | | 2 | 2 | |
| | (see note) | 1, 2 | | | | | | | | | | | | | | | 2 | 2 | |
| | (inner) (8000 lb. front axle) | | | | | | | | | | | | | | | | 2 | 2 | 2 |
| | (see note) | 2, 3, 4 | | | | | | | | | | | | | | | 2 | 2 | 2 |
| | (outer) (8000 lb. front axle) | | | | | | | | | | | | | | | | 2 | 2 | 2 |
| | (see note) | 2, 3, 4 | | | | | | | | | | | | | | | 2 | 2 | 2 |
| 22-06-2 | CUP (inner) | | 2 | 2 | 2 | | | | | | | | | | | | | | |
| | (outer) | | 2 | 2 | | | | | | | | | | | | | | | |
| | (outer) | | | | 2 | | | | | | | | | | | | | | |
| | (inner) (3750 lb. front axle) | | | | | | | | | | | | | | | | | | |
| | (see note) | | | | | 2 | 2 | | | | | | | | | | | | |
| | (outer) (3750 lb. front axle) | | | | | | | | | | | | | | | | | | |
| | (see note) | | | | | 2 | 2 | | | | | | | | | | | | |
| | (inner) (4500 lb. front axle) | | | | | | | | | | | | | | | | | | |
| | (see note) | | | | | 2 | 2 | | | | | | | | | | | | |
| | (outer) (4500 lb. front axle) | | | | | | | | | | | | | | | | | | |
| | (see note) | | | | | 2 | 2 | | | | | | | | | | | | |
| | (inner) | | | | | | | 2 | 2 | 2 | 2 | 2 | 2 | 2 | | | | | |
| | (outer) | | | | | | | 2 | 2 | 2 | 2 | 2 | 2 | 2 | | | | | |
| | (inner) (5000 lb. front axle) | | | | | | | | | | | | | | | | | | |
| | (see note) | | | | | | | | | | | | | | | 2 | | | |
| | (outer) (5000 lb. front axle) | | | | | | | | | | | | | | | 2 | | | |
| | (see note) | | | | | | | | | | | | | | | | | | |
| | (inner) (5500 lb. and 6000 lb. front axle) (see note) | | | | | | | | | | | | | | | 2 | 2 | 2 | 2 |
| | (outer) (5500 lb. and 6000 lb. front axle) (see note) | | | | | | | | | | | | | | | 2 | 2 | 2 | 2 |
| | (inner) (7500 lb. front axle) | | | | | | | | | | | | | | | 2 | 2 | 2 | 2 |
| | (see note) | 1, 2 | | | | | | | | | | | | | | 2 | 2 | | |
| | (outer) (7500 lb. front axle) | | | | | | | | | | | | | | | | 2 | 2 | |
| | (see note) | 1, 2 | | | | | | | | | | | | | | | 2 | 2 | |
| | (inner) (8000 lb. front axle) | | | | | | | | | | | | | | | | 2 | 2 | 2 |
| | (see note) | 2, 3, 4 | | | | | | | | | | | | | | | 2 | 2 | 2 |
| | (outer) (8000 lb. front axle) | | | | | | | | | | | | | | | | 2 | 2 | 2 |
| | (see note) | 2, 3, 4 | | | | | | | | | | | | | | | 2 | 2 | 2 |
| 22-06-5 | NUT, Retainer | | 2 | 2 | | | | | | | | | | | | | | | |
| | | | | | 2 | | | | | | | | | | | | | | |

★ Indicates use as required.

□ Indicates parts not listed in any previous parts books.

Series No. (1 indicates B-1 Series) (2 indicates B-2 Series) (3 indicates B-3 Series) (4 indicates B-4 Series)

Where no Series No. is shown part is for B-1, B-2, B-3 and B-4 Series.

Prices and specifications subject to change without notice.

| CODE | PART NAME AND DESCRIPTION | SERIES NO. | MODEL CODES | | | | | | | | | | | | | PART NO. | | | | |
|-------------------------------|--|------------|-------------|---|---|---|---|--------|----|----|----------|---|----|---|----|----------|---|---|---|----------|
| | | | B | C | D | F | G | H & HH | FM | GM | HM & HHM | J | JM | K | KM | | R | T | V | Y |
| FRONT WHEEL BEARINGS - Cont'd | | | | | | | | | | | | | | | | | | | | |
| 22-06-5 | NUT, Retainer (3750 lb. front axle) (see note) (B-1-F LHD up to serial No. 80340091 except on 80339672 thru 80339775; B-1-F RHD up to serial No. 80341900 except on 80341856 thru 80341863; 80341866 thru 80341875 Det. Built; up to serial No. 86511742 Cal. Built). | 1 | - | - | - | 2 | - | - | - | - | - | - | - | - | - | - | - | - | - | 53 553 |
| | Pin, cotter | - | 2 | 2 | 2 | - | - | - | - | - | - | - | - | - | - | - | - | - | - | 119 209 |
| | Pin, cotter | - | - | - | 2 | - | - | - | - | - | - | - | - | - | - | - | - | - | - | 103 396 |
| | (3750 lb. front axle) (see note) (B-1-F LHD after serial No. 80340091 also on 80339672 thru 80339775; B-1-F RHD after serial No. 80341900 also on 80341856 thru 80341863, 80341866 thru 80341875 Det. Built, after serial No. 86511742 Cal. Built) . | 1 | - | - | - | 2 | - | - | - | - | - | - | - | - | - | - | - | - | - | 1263 313 |
| | (3750 lb. front axle) (see note) . | 2, 3, 4 | - | - | - | 2 | 2 | - | - | - | - | - | - | - | - | - | - | - | - | 1263 313 |
| | (4500 lb. front axle) (see note) . | - | - | - | - | 2 | 2 | - | - | - | - | - | - | - | - | - | - | - | - | 564 045 |
| | (5000 lb. front axle) (see note) . | - | - | - | - | - | 2 | 2 | 2 | 2 | 2 | 2 | 2 | 2 | 2 | 2 | 2 | 2 | 2 | 564 045 |
| | Pin, cotter | - | - | - | - | 2 | 2 | 2 | 2 | 2 | 2 | 2 | 2 | 2 | 2 | 2 | 2 | 2 | 2 | 103 399 |
| | NUT, Retainer (5500 lb. and 6000 lb. front axle) (see note) | - | - | - | - | - | - | - | - | - | - | - | - | - | 2 | 2 | 2 | 2 | 2 | 571 023 |
| | Pin, cotter | - | - | - | - | - | - | - | - | - | - | - | - | - | 2 | 2 | 2 | 2 | 2 | 119 209 |
| 22-06-9 | NUT, Adjusting, w/PIN (outer) (7500 lb. and 8000 lb. front axle) (see note) | - | - | - | - | - | - | - | - | - | - | - | - | - | - | 2 | 2 | 2 | 2 | 589 776 |
| 22-06-10 | RING, Outer Bearing Adjusting Nut Lock (7500 lb. and 8000 lb. front axle) (see note) | - | - | - | - | - | - | - | - | - | - | - | - | - | - | 2 | 2 | 2 | 2 | 589 777 |
| 22-06-11 | NUT, Jam (outer) (7500 lb. and 8000 lb. front axle) (see note) | - | - | - | - | - | - | - | - | - | - | - | - | - | - | 2 | 2 | 2 | 2 | 589 778 |
| 22-06-12 | LOCK, Outer Bearing Jam Nut (7500 lb. and 8000 lb. front axle) (see note) | - | - | - | - | - | - | - | - | - | - | - | - | - | - | 2 | 2 | 2 | 2 | 589 779 |
| 22-06-14 | WASHER, Thrust | - | 2 | 2 | 2 | - | - | - | - | - | - | - | - | - | - | - | - | - | - | 600 194 |
| | WASHER, Retainer Lock (3750 lb. front axle) (see note) (B-1-F LHD. up to serial No. 80340091 except on 80339672 thru 80339775; B-1-F RHD. up to serial No. 80341900 except on 80341856 thru 80341863, 80341866 thru 80341875 Det. Built, up to serial No. 86511742 Cal. Built) . | 1 | - | - | - | 2 | - | - | - | - | - | - | - | - | - | - | - | - | - | 50 342 |
| | (3750 lb. front axle) (see note) (B-1-F LHD. after serial No. 80340091 also on 80339672 thru 80339775; B-1-F RHD. after serial No. 80341900 also on 80341856 thru 80341863, 80341866 thru 80341875 Det. Built, after serial No. 86511742 Cal. Built) | 1 | - | - | - | 2 | - | - | - | - | - | - | - | - | - | - | - | - | - | 1262 540 |
| | (3750 lb. front axle) (see note) . | 2, 3, 4 | - | - | - | 2 | 2 | - | - | - | - | - | - | - | - | - | - | - | - | 1262 540 |

★Indicates use as required.

Prices and specifications subject to change without notice.

☐Indicates parts not listed in any previous parts books.

Series No. (1 indicates B-1 Series) (2 indicates B-2 Series) (3 indicates B-3 Series) (4 indicates B-4 Series)

Where no Series No. is shown part is for B-1, B-2, B-3 and B-4 Series.

Printed in U.S.A.

| CODE | PART NAME AND DESCRIPTION | SERIES NO. | MODEL CODES | | | | | | | | | | | | | | PART NO. | | | | | | |
|-------------------------------|---|------------|-------------|---|---|---|---|--------|----|----|----------|---|----|---|----|---|----------|---|---|---|---|----------|---------|
| | | | B | C | D | F | G | H & HH | FM | GM | HM & HHM | J | JM | K | KM | R | | T | V | Y | | | |
| FRONT WHEEL BEARINGS - Cont'd | | | | | | | | | | | | | | | | | | | | | | | |
| 22-06-14 | WASHER, Thrust (4500 lb. front axle) (see note) . . | - | - | - | - | 2 | 2 | - | - | - | - | - | - | - | - | - | - | - | - | - | * | 564 046 | |
| | (5000 lb. front axle) (see note). | - | - | - | - | - | - | - | - | - | - | - | - | - | - | 2 | - | - | - | - | - | 564 046 | |
| | (5500 lb. and 6000 lb. front axle) (see note) | - | - | - | - | - | - | - | - | - | - | - | - | - | - | - | 2 | 2 | 2 | 2 | - | 571 022 | |
| 22-06-18 | SEAL, Dust | - | 2 | 2 | 2 | - | - | - | - | - | - | - | - | - | - | - | - | - | - | - | - | * | 668 479 |
| | (3750 lb. front axle) (see note) . | - | - | - | 2 | 2 | - | - | - | - | - | - | - | - | - | - | - | - | - | - | - | 919 277 | |
| | (4500 lb. front axle) (see note) . | - | - | - | 2 | 2 | - | - | - | - | - | - | - | - | - | - | - | - | - | - | - | 919 250 | |
| | (5000 lb. front axle) (see note) . | - | - | - | - | - | 2 | 2 | 2 | 2 | 2 | 2 | 2 | 2 | - | - | 2 | - | - | - | - | 919 250 | |
| | (5500 lb. and 6000 lb. front axle) (see note) | - | - | - | - | - | - | - | - | - | - | - | - | - | - | 2 | 2 | 2 | 2 | - | - | 578 010 | |
| | OIL SEAL (7500 lb. front axle) (see note) | 1, 2 | - | - | - | - | - | - | - | - | - | - | - | - | - | - | 2 | 2 | - | - | - | 579 105 | |
| | SEAL, Dust (8000 lb. front axle) (see note) | 2, 3, 4 | - | - | - | - | - | - | - | - | - | - | - | - | - | - | 2 | 2 | 2 | - | - | 1267 215 | |
| 22-06-20 | PACKING, Oil Seal (7500 lb. front axle) (see note) | 1, 2 | - | - | - | - | - | - | - | - | - | - | - | - | - | - | 2 | 2 | - | - | - | 579 106 | |

REAR WHEEL BEARINGS

Note: For rear wheel bearings and related parts on models using semi-floating rear axles (1/2 ton and 3/4 ton) see Group 3, Rear Axle Drive Shaft Bearing Sub-Group.

| | | | | | | | | | | | | | | | | | | | | | | | |
|---------|--|---------|---|---|---|---|---|---|---|---|---|---|---|---|---|---|---|---|---|---|---|---|----------|
| 22-07-1 | CONE and ROLLERS (inner) | - | - | - | 2 | - | - | - | - | - | - | - | - | - | - | - | - | - | - | - | - | - | 927 017 |
| | (outer) | - | - | - | 2 | - | - | - | - | - | - | - | - | - | - | - | - | - | - | - | - | - | 927 018 |
| | (inner) (Hypoid Axle) | - | - | - | 2 | 2 | - | 2 | 2 | - | - | - | - | - | - | - | - | - | - | - | - | - | 563 741 |
| | (outer) (Hypoid Axle) | - | - | - | 2 | 2 | - | 2 | 2 | - | - | - | - | - | - | - | - | - | - | - | - | - | 503 241 |
| | (inner) (2 Speed Axle) | 1 | - | - | 2 | - | - | 2 | - | - | - | - | - | - | - | - | - | - | - | - | - | - | 571 823 |
| | (outer) (2 Speed Axle) | 1 | - | - | 2 | - | - | 2 | - | - | - | - | - | - | - | - | - | - | - | - | - | - | 563 567 |
| | (inner) (std. 2 Speed Axle) | 2 | - | - | 2 | 2 | - | 2 | - | - | - | - | - | - | - | - | - | - | - | - | - | - | 563 741 |
| | (outer) (std. 2 Speed Axle) | 2 | - | - | 2 | 2 | - | 2 | - | - | - | - | - | - | - | - | - | - | - | - | - | - | 503 241 |
| | (inner) (heavy 2 Speed Axle) | 2 | - | - | 2 | 2 | - | 2 | - | - | - | - | - | - | - | - | - | - | - | - | - | - | 571 823 |
| | (outer) (heavy 2 Speed Axle) | 2 | - | - | 2 | 2 | - | 2 | - | - | - | - | - | - | - | - | - | - | - | - | - | - | 563 567 |
| | (inner) (2 Speed Axle) | 3, 4 | - | - | 2 | 2 | - | 2 | - | - | - | - | - | - | - | - | - | - | - | - | - | - | 563 741 |
| | (outer) (2 Speed Axle) | 3, 4 | - | - | 2 | 2 | - | 2 | - | - | - | - | - | - | - | - | - | - | - | - | - | - | 503 241 |
| | (inner) | - | - | - | - | - | 2 | - | - | 2 | 2 | 2 | - | - | - | - | - | - | - | - | - | - | 571 823 |
| | (outer) | - | - | - | - | - | 2 | - | - | 2 | 2 | 2 | - | - | - | - | - | - | - | - | - | - | 563 567 |
| | (inner) | - | - | - | - | - | - | - | - | - | - | 2 | 2 | - | - | - | - | - | - | - | - | - | 1196 228 |
| | (outer) | - | - | - | - | - | - | - | - | - | - | 2 | 2 | - | - | - | - | - | - | - | - | - | 1193 606 |
| | (inner) | - | - | - | - | - | - | - | - | - | - | - | - | 2 | 2 | - | - | - | - | - | - | - | 1191 786 |
| | (outer) | - | - | - | - | - | - | - | - | - | - | - | - | 2 | 2 | - | - | - | - | - | - | - | 563 741 |
| | (outer) | 1 | - | - | - | - | - | - | - | - | - | - | - | - | - | 2 | - | - | - | - | - | - | 1193 606 |
| | (inner) | 2, 3, 4 | - | - | - | - | - | - | - | - | - | - | - | - | - | - | 2 | - | - | - | - | - | 1192 001 |
| | (outer) | - | - | - | - | - | - | - | - | - | - | - | - | - | - | - | 2 | - | - | - | - | - | 1191 989 |
| | (inner) | - | - | - | - | - | - | - | - | - | - | - | - | - | - | - | - | 2 | 2 | - | - | - | 1192 543 |
| | (outer) | - | - | - | - | - | - | - | - | - | - | - | - | - | - | - | 2 | 2 | - | - | - | - | 572 037 |
| 22-07-2 | CUP (inner) | - | - | 2 | - | - | - | - | - | - | - | - | - | - | - | - | - | - | - | - | - | - | 927 015 |
| | (outer) | - | - | 2 | - | - | - | - | - | - | - | - | - | - | - | - | - | - | - | - | - | - | 927 016 |
| | (inner) (Hypoid Axle) | - | - | - | 2 | 2 | - | 2 | 2 | - | - | - | - | - | - | - | - | - | - | - | - | - | 563 568 |
| | (outer) (Hypoid Axle) | - | - | - | 2 | 2 | - | 2 | 2 | - | - | - | - | - | - | - | - | - | - | - | - | - | 1193 676 |
| | (inner) (2 Speed Axle) | 1 | - | - | 2 | - | - | 2 | - | - | - | - | - | - | - | - | - | - | - | - | - | - | 571 824 |
| | (outer) (2 Speed Axle) | 1 | - | - | 2 | - | - | 2 | - | - | - | - | - | - | - | - | - | - | - | - | - | - | 563 568 |
| | (inner) (std. 2 Speed Axle) | 2 | - | - | 2 | 2 | - | 2 | - | - | - | - | - | - | - | - | - | - | - | - | - | - | 563 568 |
| | (outer) (std. 2 Speed Axle) | 2 | - | - | 2 | 2 | - | 2 | - | - | - | - | - | - | - | - | - | - | - | - | - | - | 1193 676 |

★ Indicates use as required.

☐ Indicates parts not listed in any previous parts books.

Series No. (1 indicates B-1 Series) (2 indicates B-2 Series) (3 indicates B-3 Series) (4 indicates B-4 Series)

Where no Series No. is shown part is for B-1, B-2, B-3 and B-4 Series.

* Indicates change or addition.

Prices and specifications subject to change without notice.

| CODE | PART NAME AND DESCRIPTION | SERIES NO. | MODEL CODES | | | | | | | | | | | | | PART NO. | | | |
|------------------------------|--|------------|-------------|---|---|---|---|--------|----|----|----------|---|----|---|----|----------|---|---|----------|
| | | | B | C | D | F | G | H & HH | FM | GM | HM & HHM | J | JM | K | KM | | R | T | V |
| REAR WHEEL BEARINGS - Cont'd | | | | | | | | | | | | | | | | | | | |
| 22-07-2 | CUP (inner) (heavy 2 Speed Axle) | 2 | - | - | - | 2 | 2 | - | - | 2 | - | - | - | - | - | - | - | - | 571 824 |
| | (outer) (heavy 2 Speed Axle) | 2 | - | - | - | 2 | 2 | - | - | 2 | - | - | - | - | - | - | - | - | 563 568 |
| | (inner) (2 Speed Axle) | 3,4 | - | - | - | 2 | 2 | - | - | 2 | - | - | - | - | - | - | - | - | 563 568 |
| | (outer) (2 Speed Axle) | 3,4 | - | - | - | 2 | 2 | - | - | 2 | - | - | - | - | - | - | - | - | 1193 676 |
| | (inner) | - | - | - | - | - | - | 2 | - | 2 | 2 | 2 | - | - | - | - | - | - | 571 824 |
| | (outer) | - | - | - | - | - | - | 2 | - | 2 | 2 | 2 | - | - | - | - | - | - | 563 568 |
| | (inner) | - | - | - | - | - | - | - | - | - | - | - | 2 | 2 | - | - | - | - | 1191 990 |
| | (outer) | - | - | - | - | - | - | - | - | - | - | - | 2 | 2 | - | - | - | - | 1193 605 |
| | (inner) | - | - | - | - | - | - | - | - | - | - | - | - | - | 2 | 2 | - | - | 1264 086 |
| | (outer) | 1 | - | - | - | - | - | - | - | - | - | - | - | - | 2 | 2 | - | - | 563 568 |
| | (outer) | 2,3,4 | - | - | - | - | - | - | - | - | - | - | - | - | 2 | 2 | - | - | 1193 605 |
| | (inner) | - | - | - | - | - | - | - | - | - | - | - | - | - | - | 2 | - | - | 530 133 |
| | (outer) | - | - | - | - | - | - | - | - | - | - | - | - | - | 2 | - | - | - | 1191 990 |
| | (inner) | - | - | - | - | - | - | - | - | - | - | - | - | - | - | 2 | 2 | - | 1192 542 |
| | (outer) | - | - | - | - | - | - | - | - | - | - | - | - | - | - | 2 | 2 | - | 530 133 |
| 22-07-6 | NUT, Adjusting, w/PIN (inner) | - | - | 2 | - | - | - | - | - | - | - | - | - | - | - | - | - | - | 915 395 |
| | (Hypoid Axle) | - | - | - | 2 | 2 | - | 2 | 2 | - | - | - | - | - | - | - | - | - | 592 813 |
| | (2 Speed Axle) | 1 | - | - | 2 | - | - | 2 | - | - | - | - | - | - | - | - | - | - | 574 556 |
| | (std. 2 Speed Axle) | 2 | - | - | 2 | 2 | - | 2 | - | - | - | - | - | - | - | - | - | - | 592 813 |
| | (heavy 2 Speed Axle) | 2 | - | - | 2 | 2 | - | 2 | - | - | - | - | - | - | - | - | - | - | 574 556 |
| | (2 Speed Axle) | 3,4 | - | - | 2 | 2 | - | 2 | - | - | - | - | - | - | - | - | - | - | 592 813 |
| | | - | - | - | - | - | 2 | - | - | 2 | 2 | 2 | 2 | - | - | - | - | - | 574 556 |
| | | - | - | - | - | - | - | - | - | - | - | - | - | 2 | - | - | - | - | 1191 696 |
| | | - | - | - | - | - | - | - | - | - | - | - | - | - | 2 | - | - | - | 1191 997 |
| | | - | - | - | - | - | - | - | - | - | - | - | - | - | - | 2 | 2 | - | 1192 565 |
| | NUT, Adjusting (outer) | - | - | 2 | - | - | - | - | - | - | - | - | - | - | - | - | - | - | 915 398 |
| | (Hypoid Axle) | - | - | - | 2 | 2 | - | 2 | 2 | - | - | - | - | - | - | - | - | - | 592 816 |
| | (2 Speed Axle) | 1 | - | - | 2 | - | - | 2 | - | - | - | - | - | - | - | - | - | - | 574 558 |
| | (std. 2 Speed Axle) | 2 | - | - | 2 | 2 | - | 2 | - | - | - | - | - | - | - | - | - | - | 592 816 |
| | (heavy 2 Speed Axle) | 2 | - | - | 2 | 2 | - | 2 | - | - | - | - | - | - | - | - | - | - | 574 558 |
| | (2 Speed Axle) | 3,4 | - | - | 2 | 2 | - | 2 | - | - | - | - | - | - | - | - | - | - | 592 816 |
| | | - | - | - | - | - | 2 | - | - | 2 | 2 | 2 | 2 | - | - | - | - | - | 574 558 |
| | | - | - | - | - | - | - | - | - | - | - | - | - | 2 | - | - | - | - | 1191 697 |
| | | - | - | - | - | - | - | - | - | - | - | - | - | - | 2 | - | - | - | 1191 913 |
| | | - | - | - | - | - | - | - | - | - | - | - | - | - | - | 2 | 2 | - | 1192 567 |
| 22-07-8 | LOCK, Adjusting Nut | - | - | 2 | - | - | - | - | - | - | - | - | - | - | - | - | - | - | 915 397 |
| | (Hypoid Axle) | - | - | - | 2 | 2 | - | 2 | 2 | - | - | - | - | - | - | - | - | - | 574 324 |
| | (2 Speed Axle) | 1 | - | - | 2 | - | - | 2 | - | - | - | - | - | - | - | - | - | - | 574 559 |
| | (std. 2 Speed Axle) | 2 | - | - | 2 | 2 | - | 2 | - | - | - | - | - | - | - | - | - | - | 574 324 |
| | (heavy 2 Speed Axle) | 2 | - | - | 2 | 2 | - | 2 | - | - | - | - | - | - | - | - | - | - | 574 559 |
| | (2 Speed Axle) | 3,4 | - | - | 2 | 2 | - | 2 | - | - | - | - | - | - | - | - | - | - | 574 324 |
| | | - | - | - | - | - | 2 | - | - | 2 | 2 | 2 | 2 | - | - | - | - | - | 574 559 |
| | | - | - | - | - | - | - | - | - | - | - | - | - | 2 | - | - | - | - | 1191 698 |
| | | - | - | - | - | - | - | - | - | - | - | - | - | - | 2 | - | - | - | 1191 999 |
| | | - | - | - | - | - | - | - | - | - | - | - | - | - | - | 2 | 2 | - | 1192 610 |
| 22-07-9 | PIN, Adjusting Nut Lock | - | - | - | - | - | - | - | - | - | - | - | - | - | - | - | - | - | - |
| | (2 Speed Axle) | 1 | - | - | 2 | - | - | 2 | - | - | - | - | - | - | - | - | - | - | 574 325 |
| | (heavy 2 Speed Axle) | 2 | - | - | 2 | 2 | - | 2 | - | - | - | - | - | - | - | - | - | - | 574 325 |
| | | - | - | - | - | - | 2 | - | - | 2 | 2 | 2 | 2 | - | - | - | - | - | 574 325 |
| 22-07-12 | OIL SEAL PACKAGE (outer) | - | - | - | - | - | - | - | - | - | - | - | - | - | 2 | - | - | - | 1243 658 |
| | | - | - | - | - | - | - | - | - | - | - | - | - | - | - | 2 | - | - | 1243 659 |
| | | - | - | - | - | - | - | - | - | - | - | - | - | - | - | 2 | - | - | 1243 660 |
| | (Q100, Q200 and Q300 Series Axle) (see identifying illustrations in Group 3 - Rear Axle) | - | - | - | - | - | - | - | - | - | - | - | - | - | - | - | 2 | - | 1243 660 |
| | (R100, R200 and R300 Series Axle) (see identifying illustrations in Group 3 - Rear Axle) | - | - | - | - | - | - | - | - | - | - | - | - | - | - | - | 2 | - | 1315 476 |

★ Indicates use as required.

☐ Indicates parts not listed in any previous parts books.

Series No. (1 indicates B-1 Series) (2 indicates B-2 Series) (3 indicates B-3 Series) (4 indicates B-4 Series)

Where no Series No. is shown part is for B-1, B-2, B-3 and B-4 Series.

Prices and specifications subject to change without notice.

| CODE | PART NAME AND DESCRIPTION | SERIES NO. | MODEL CODES | | | | | | | | | | | | | | | | PART NO. | |
|-----------------------------|--|------------|-------------|---|---|---|---|--------|----|----|----------|---|----|---|----|---|---|---|----------|-----------|
| | | | B | C | D | F | G | H & HH | FM | GM | HM & HHM | J | JM | K | KM | R | T | V | | Y |
| REAR WHEEL BEARING - Cont'd | | | | | | | | | | | | | | | | | | | | |
| 22-07-14 | OIL SEAL (inner) | - | - | - | 2 | - | - | - | - | - | - | - | - | - | - | - | - | - | - | 915 499 |
| | (outer) | - | - | 2 | - | - | - | - | - | - | - | - | - | - | - | - | - | - | - | 915 496 |
| | (Hypoid Axle) | - | - | - | 2 | 2 | - | 2 | 2 | - | - | - | - | - | - | - | - | - | - | 574 362 |
| | (2 Speed Axle) | 1 | - | - | 2 | 2 | - | 2 | 2 | - | - | - | - | - | - | - | - | - | - | 574 563 |
| | (std. 2 Speed Axle) | 2 | - | - | 2 | 2 | - | 2 | 2 | - | - | - | - | - | - | - | - | - | - | 574 362 |
| | (heavy 2 Speed Axle) | 2 | - | - | 2 | 2 | - | 2 | 2 | - | - | - | - | - | - | - | - | - | - | 574 563 |
| | (2 Speed Axle) | 3, 4 | - | - | 2 | 2 | - | 2 | 2 | - | - | - | - | - | - | - | - | - | - | 574 362 |
| | | - | - | - | - | - | 2 | - | - | 2 | 2 | 2 | - | - | - | - | - | - | - | 574 563 |
| | (inner) (5 1/8" O.D.) | 1 | - | - | - | - | - | - | - | - | - | - | 2 | 2 | - | - | - | - | - | 1196 233 |
| | (inner) (5 3/8" O.D.) | 1 | - | - | - | - | - | - | - | - | - | - | - | 2 | 2 | - | - | - | - | 1191 792 |
| | (inner) | 2, 3, 4 | - | - | - | - | - | - | - | - | - | - | - | - | 2 | - | - | - | - | 1263 697 |
| | (inner) (5 7/8" O.D.) | 1 | - | - | - | - | - | - | - | - | - | - | - | - | 2 | - | - | - | - | 1192 002 |
| | (inner) (6 1/16" O.D.) | 1 | - | - | - | - | - | - | - | - | - | - | - | - | 2 | - | - | - | - | 1266 810 |
| | (inner) | 2, 3, 4 | - | - | - | - | - | - | - | - | - | - | - | - | 2 | - | - | - | - | 1266 810 |
| | (inner) | - | - | - | - | - | - | - | - | - | - | - | - | - | - | 2 | 2 | - | - | 1192 568 |
| 22-07-15 | CUP, Inner Oil Seal (use with 1191 792 oil seal) | 1 | - | - | - | - | - | - | - | - | - | - | - | - | 2 | - | - | - | - | 1191 793 |
| | WASHER (use with 1192 002 oil seal) | 1 | - | - | - | - | - | - | - | - | - | - | - | - | - | 2 | - | - | - | 1192 005 |
| | WIPER (use with 1266 810 oil seal) | - | - | - | - | - | - | - | - | - | - | - | - | - | - | 2 | - | - | - | 1266 811 |
| | WASHER | - | - | - | - | - | - | - | - | - | - | - | - | - | - | - | 2 | 2 | - | 1192 533 |
| 22-07-20 | SLEEVE, Outer Oil Seal | - | - | - | - | - | - | - | - | - | - | - | - | - | 2 | - | - | - | - | 1263 023 |
| | | - | - | - | - | - | - | - | - | - | - | - | - | - | - | - | 2 | 2 | - | 1263 024 |
| | | - | - | - | - | - | - | - | - | - | - | - | - | - | - | - | 2 | 2 | - | 1263 025 |
| 22-07-22 | GASKET, Outer Oil Seal Retainer | - | - | 2 | - | - | - | - | - | - | - | - | - | - | - | - | - | - | - | 915 565 |
| 22-07-27 | SNAP RING, Oil Seal | - | - | 2 | - | - | - | - | - | - | - | - | - | - | - | - | - | - | - | 915 498 |
| | (Hypoid Axle) | 1, 2 | - | - | 2 | 2 | - | 2 | 2 | - | - | - | - | - | - | - | - | - | - | 574 363 |
| | (2 Speed Axle) | 1 | - | - | 2 | 2 | - | 2 | 2 | - | - | - | - | - | - | - | - | - | - | 574 564 |
| | (std. 2 Speed Axle) | 2 | - | - | 2 | 2 | - | 2 | 2 | - | - | - | - | - | - | - | - | - | - | 574 363 |
| | (heavy 2 Speed Axle) | 2 | - | - | 2 | 2 | - | 2 | 2 | - | - | - | - | - | - | - | - | - | - | 574 564 |
| | | 1, 2 | - | - | - | - | 2 | - | - | 2 | 2 | 2 | - | - | - | - | - | - | - | 574 564 |
| | | 1, 2 | - | - | - | - | - | - | - | - | - | - | 2 | 2 | - | - | - | - | - | 1196 282 |
| | (use with 1191 792 oil seal) | 1 | - | - | - | - | - | - | - | - | - | - | - | - | 2 | - | - | - | - | 1191 794 |
| HUB CAPS | | | | | | | | | | | | | | | | | | | | |
| 22-08-5 | CAP (15" and 16" wheels) | 1, 2, 3 | 4 | - | - | - | - | - | - | - | - | - | - | - | - | - | - | - | - | 1194 810 |
| | (18" wheels) | 1, 2, 3 | 4 | - | - | - | - | - | - | - | - | - | - | - | - | - | - | - | - | 641 833 |
| | | 1, 2, 3 | 4 | 4 | - | - | - | - | - | - | - | - | - | - | - | - | - | - | - | 1194 810 |
| | | 4 | 4 | 4 | - | - | - | - | - | - | - | - | - | - | - | - | - | - | - | 11487 536 |
| | (except 8000 lb. front axle) (see note) | 1, 2 | - | - | - | - | - | - | - | - | - | - | - | - | 2 | 2 | 2 | 2 | - | 1194 003 |
| | (8000 lb. front axle) (see note) | 1, 2 | - | - | - | - | - | - | - | - | - | - | - | - | - | 2 | 2 | 2 | 2 | 1274 590 |
| | | 3, 4 | - | - | - | - | - | - | - | - | - | - | - | - | 2 | 2 | 2 | 2 | - | 1274 590 |
| 22-08-17 | CLIP, Spring (15" wheels) | - | 25 | - | - | - | - | - | - | - | - | - | - | - | - | - | - | - | - | 684 140 |
| | (16" wheels) | - | 25 | - | - | - | - | - | - | - | - | - | - | - | - | - | - | - | - | 1316 017 |
| | (18" wheels) | - | 25 | - | - | - | - | - | - | - | - | - | - | - | - | - | - | - | - | 632 801 |
| | Rivet | - | 25 | - | - | - | - | - | - | - | - | - | - | - | - | - | - | - | - | 590 625 |
| | Rivet | - | 25 | - | - | - | - | - | - | - | - | - | - | - | - | - | - | - | - | 104 068 |
| 22-08-57 | CAP, Front Wheel Grease | - | 2 | 2 | - | - | - | - | - | - | - | - | - | - | - | - | - | - | - | 114 860 |
| | (5000 lb. front axle) (see note) | - | - | 2 | 2 | 2 | 2 | 2 | 2 | 2 | 2 | 2 | 2 | 2 | - | - | - | - | - | 600 183 |
| | (5500 lb. and 6000 lb. front axle) (see note) | - | - | - | - | - | - | - | - | - | - | - | - | - | 2 | - | - | - | - | 564 052 |
| | (7500 lb. and 8000 lb. front axle) (see note) | - | - | - | - | - | - | - | - | - | - | - | - | - | 2 | 2 | 2 | 2 | - | 570 920 |
| | | - | - | - | - | - | - | - | - | - | - | - | - | - | - | 2 | 2 | 2 | - | 579 262 |

★Indicates use as required.

Prices and specifications subject to change without notice.

□Indicates parts not listed in any previous parts books.

Series No. (1 indicates B-1 Series) (2 indicates B-2 Series) (3 indicates B-3 Series) (4 indicates B-4 Series)

Where no Series No. is shown part is for B-1, B-2, B-3 and B-4 Series.

| CODE | PART NAME AND DESCRIPTION | SERIES NO. | MODEL CODES | | | | | | | | | | | | | PART NO. | | | |
|-----------------------------|--|------------|-------------|---|---|---|---|--------|----|----|----------|---|----|---|----|----------|---|---|-----------|
| | | | B | C | D | F | G | H & HH | FM | GM | HM & HHM | J | JM | K | KM | | R | T | V |
| WHEEL BALANCE WEIGHT | | | | | | | | | | | | | | | | | | | |
| 22-09-1 | WEIGHT | - | * | - | - | - | - | - | - | - | - | - | - | - | - | - | - | - | 658 603 |
| | (4 oz.) | - | - | * | * | * | * | * | * | * | * | * | * | * | * | * | * | * | 589 681 |
| | (6 oz.) | - | - | * | * | * | * | * | * | * | * | * | * | * | * | * | * | * | 589 682 |
| WHEEL RIM | | | | | | | | | | | | | | | | | | | |
| 22-11-3 | RIM, Tire (steel spoke wheels) | | | | | | | | | | | | | | | | | | |
| | (20 x 6) | - | - | - | - | - | - | - | - | - | - | - | - | - | - | * | * | * | 1192 920 |
| | (20 x 6.50) | - | - | - | - | - | - | - | - | - | - | - | - | - | - | * | * | * | 1261 595 |
| | (20 x 7) | - | - | - | - | - | - | - | - | - | - | - | - | - | - | * | * | * | 1192 923 |
| | (20 x 7.50) | - | - | - | - | - | - | - | - | - | - | - | - | - | - | * | * | * | 1274 751 |
| | (20 x 8) | - | - | - | - | - | - | - | - | - | - | - | - | - | - | * | * | * | 1192 926 |
| 22-11-9 | RING, Side | | | | | | | | | | | | | | | | | | |
| | (16 x 4.50) (except on serial No. 81267451 thru 81267877) | 1 | - | - | * | - | - | - | - | - | - | - | - | - | - | - | - | - | 913 871 |
| | (16 x 4.50) (used on serial No. 81267451 thru 81267877) | 1 | - | - | * | - | - | - | - | - | - | - | - | - | - | - | - | - | 1265 264 |
| | (16 x 4.50) | 2, 3, 4 | - | - | * | - | - | - | - | - | - | - | - | - | - | - | - | - | 913 871 |
| | (16 x 5.50) | 1, 3, 4 | - | - | * | - | - | - | - | - | - | - | - | - | - | - | - | - | 913 871 |
| | (16 x 5.50) (except on serial No. 81290320 thru 81290500) | 2 | - | - | * | - | - | - | - | - | - | - | - | - | - | - | - | - | 913 871 |
| | (16 x 5.50) (used on serial No. 81290320 thru 81290500) | 2 | - | - | * | - | - | - | - | - | - | - | - | - | - | - | - | - | 1265 526 |
| | (16 x 6) | 3 | - | - | * | - | - | - | - | - | - | - | - | - | - | - | - | - | 1390 774 |
| | (16 x 6.50) | 1, 2 | - | - | * | - | - | - | - | - | - | - | - | - | - | - | - | - | 1189 383 |
| | (17 x 5.50 and 17 x 6) | 3, 4 | - | - | * | - | - | - | - | - | - | - | - | - | - | - | - | - | 1272 915 |
| | (20 x 5) (up to serial No. 81254253) | 1 | - | - | * | - | - | - | - | - | - | - | - | - | - | - | - | - | 563 553 |
| | (20 x 5) (after serial No. 81254253) | 1 | - | - | * | - | - | - | - | - | - | - | - | - | - | - | - | - | 1194 544 |
| | (20 x 5) | 2, 3, 4 | - | - | * | - | - | - | - | - | - | - | - | - | - | - | - | - | 1194 544 |
| | (20 x 5) (use with 1194 667 wheel) | 1 | - | - | * | - | * | * | - | * | * | * | - | - | - | - | - | - | 1194 544 |
| | (20 x 5) (use with 565 920 wheel) | 1 | - | - | * | - | * | * | - | * | * | * | - | - | - | - | - | - | 565 922 |
| | (20 x 6) | 1 | - | - | * | - | * | * | - | * | * | * | - | - | - | - | - | - | *1190 979 |
| | (20 x 6) (Domestic and std. Export) | 2 | - | - | * | - | * | * | - | * | * | * | - | - | - | - | - | - | *1190 979 |
| | (20 x 6) (Domestic and std. Export) (use with 1194 535 wheel) | 3, 4 | - | - | * | - | * | * | - | * | * | * | - | - | - | - | - | - | *1190 979 |
| | (20 x 6) (Domestic and std. Export) (use with 1502021 wheel) | 3, 4 | - | - | * | - | * | * | - | * | * | * | - | - | - | - | - | - | □1501 228 |
| | (20 x 6) | - | - | - | * | - | * | * | - | * | * | * | - | * | * | - | - | - | *1190 979 |
| | (20 x 6.50) (heavy duty Export) | 2 | - | - | * | - | * | * | - | * | * | * | - | - | - | - | - | - | * 565 922 |
| | (20 x 6.50) (heavy duty Export) (B-3-F up to serial No. 80401410; B-3-G up to serial No. 80093586; B-3-H up to serial No. 82599880; B-3-GM up to serial No. 83702290; B-3-HM up to serial No. 8742689; B-3-J up to serial No. 82820444; B-3-K up to serial No. 82952517) | 3 | - | - | * | - | * | * | - | * | * | * | - | - | - | - | - | - | * 565 922 |

★Indicates use as required.

□Indicates parts not listed in any previous parts books.

Series No. (1 indicates B-1 Series) (2 indicates B-2 Series) (3 indicates B-3 Series) (4 indicates B-4 Series)

Where no Series No. is shown part is for B-1, B-2, B-3 and B-4 Series.

April 6, 1953 Supersedes Dec. 31, 1952.

Prices and specifications subject to change without notice.

Printed in U.S.A.

* Indicates change or addition.

| CODE | PART NAME AND DESCRIPTION | SERIES NO. | MODEL CODES | | | | | | | | | | | | | | PART NO. | | | |
|--------------------|---|------------|-------------|---|---|---|---|--------|----|----|----------|---|----|---|----|----|----------|----|----|-----------|
| | | | B | C | D | F | G | H & HH | FM | GM | HM & HHM | J | JM | K | KM | R | | T | V | Y |
| WHEEL RIM - Cont'd | | | | | | | | | | | | | | | | | | | | |
| 22-11-9 | RING, Side (20 x 6.50) (heavy duty Export) (B-3-F after serial No. 80401410; B-3-G after serial No. 80093586; B-3-H after serial No. 82599880; B-3-GM after serial No. 83702290; B-3-HM after serial No. 8742689; B-3-J after serial No. 82820444; B-3-K after serial No. 82952517) | 3 | - | - | - | ★ | ★ | ★ | - | ★ | ★ | ★ | ★ | - | - | - | - | - | - | 1190 978 |
| | (20 x 6.50) (heavy duty Export) | 4 | - | - | - | ★ | ★ | ★ | - | ★ | ★ | ★ | ★ | - | - | - | - | - | - | 1190 978 |
| | (20 x 6.50) (disc wheels) | - | - | - | - | - | - | - | - | - | - | - | - | ★ | ★ | ★ | ★ | - | - | 1190 978 |
| | (20 x 6) (disc wheels) | 1 | - | - | - | - | - | - | - | - | - | - | - | - | - | ★ | ★ | ★ | - | 1190 979 |
| | (20 x 6) (disc wheels) | 2, 3, 4 | - | - | - | - | - | - | - | - | - | - | - | - | - | ★ | ★ | ★ | - | 561 678 |
| | (20 x 7) (disc wheels) (use with 1190 972 wheel) | 1 | - | - | - | - | - | - | - | - | - | - | - | - | - | - | ★ | ★ | - | 1190 978 |
| | (20 x 7) (disc wheels) (use with 1264 176 wheel) | 1 | - | - | - | - | - | - | - | - | - | - | - | - | - | - | ★ | ★ | - | 1264 178 |
| | (20 x 7) (disc wheels) | 2, 3, 4 | - | - | - | - | - | - | - | - | - | - | - | - | - | - | ★ | ★ | ★ | 1190 978 |
| | (20 x 7.50 and 20 x 8) (disc wheels) | - | - | - | - | - | - | - | - | - | - | - | - | - | - | - | ★ | ★ | ★ | 1191 861 |
| | (22 x 7.50) (disc wheels) | 3, 4 | - | - | - | - | - | - | - | - | - | - | - | - | - | - | ★ | ★ | ★ | 1270 038 |
| | (20 x 6) (steel spoke wheels) | - | - | - | - | - | - | - | - | - | - | - | - | - | - | ★ | ★ | ★ | - | 1192 922 |
| | (20 x 6.50 and 20 x 7) (steel spoke wheels) | - | - | - | - | - | - | - | - | - | - | - | - | - | - | ★ | ★ | ★ | ★ | 1192 925 |
| | (20 x 7.50 and 20 x 8) (steel spoke wheels) | - | - | - | - | - | - | - | - | - | - | - | - | - | - | - | ★ | ★ | ★ | 1192 928 |
| 22-11-13 | RING, Side Ring Lock (use with 1264 176 wheel) | 1 | - | - | - | - | - | - | - | - | - | - | - | - | - | - | ★ | ★ | - | 1264 179 |
| 22-11-20 | CLAMP, Tire Rim (front) (steel spoke wheels) | 1, 2 | - | - | - | - | - | - | - | - | - | - | - | - | - | 12 | 12 | 12 | 12 | 1194 079 |
| | (front) (steel spoke wheels) (B-3-R up to serial No. 81861119; B-3-T and B-3-V up to serial No. 81795800; B-3-Y up to serial No. 8302880) | 3 | - | - | - | - | - | - | - | - | - | - | - | - | - | 12 | 12 | 12 | 12 | 1194 079 |
| | (front) (steel spoke wheels) (B-3-R after serial No. 81861119; B-3-T and B-3-V after serial No. 81795800; B-3-Y after serial No. 8302880) | 3 | - | - | - | - | - | - | - | - | - | - | - | - | - | 12 | 12 | 12 | 12 | 11392 447 |
| | (front) (steel spoke wheels) | 4 | - | - | - | - | - | - | - | - | - | - | - | - | - | 12 | 12 | 12 | 12 | 11392 447 |
| | (rear) (steel spoke wheels) | - | - | - | - | - | - | - | - | - | - | - | - | - | 12 | - | - | - | - | 576 817 |
| | (rear) (steel spoke wheels) | - | - | - | - | - | - | - | - | - | - | - | - | - | - | 12 | 12 | 12 | - | 1194 102 |
| 22-11-21 | STUD, Tire Rim Clamp (front) (steel spoke wheels) | - | - | - | - | - | - | - | - | - | - | - | - | - | - | 12 | 12 | 12 | 12 | 1194 080 |
| | (rear) (steel spoke wheels) | - | - | - | - | - | - | - | - | - | - | - | - | - | 12 | - | - | - | - | 1194 097 |
| | (rear) (steel spoke wheels) | - | - | - | - | - | - | - | - | - | - | - | - | - | - | 12 | 12 | 12 | - | 1194 103 |
| 22-11-22 | NUT, Tire Rim Clamp Stud (front) (steel spoke wheels) | 1, 2 | - | - | - | - | - | - | - | - | - | - | - | - | - | 12 | 12 | 12 | 12 | 1194 081 |
| | (front) (steel spoke wheels) | 3, 4 | - | - | - | - | - | - | - | - | - | - | - | - | - | 12 | 12 | 12 | 12 | 513 796 |
| | (rear) (steel spoke wheels) | - | - | - | - | - | - | - | - | - | - | - | - | - | 12 | - | - | - | - | 513 796 |
| | (rear) (steel spoke wheels) | - | - | - | - | - | - | - | - | - | - | - | - | - | - | 12 | 12 | 12 | - | 1194 113 |
| 22-11-44 | SPACER, Tire Rim Mounting (rear) (steel spoke wheels) | - | - | - | - | - | - | - | - | - | - | - | - | - | - | 2 | 2 | 2 | 2 | 1194 098 |

★ Indicates use as required.

□ Indicates parts not listed in any previous parts books.

Series No. (1 indicates B-1 Series) (2 indicates B-2 Series) (3 indicates B-3 Series) (4 indicates B-4 Series)

Where no Series No. is shown part is for B-1, B-2, B-3 and B-4 Series.

* Indicates change or addition.

Prices and specifications subject to change without notice.

| CODE | PART NAME AND DESCRIPTION | SERIES NO. | MODEL CODES | | | | | | | | | | | | | PART NO. | | | |
|-------------------------|--|------------|-------------|---|---|---|---|--------|----|----|----------|---|----|---|----|----------|---|---|---|
| | | | B | C | D | F | G | H & HH | FM | GM | HM & HHM | J | JM | K | KM | | R | T | V |
| UNDERSLUNG TIRE CARRIER | | | | | | | | | | | | | | | | | | | |
| 22-12-1 | CARRIER | | | | | | | | | | | | | | | | | | |
| | (up to and including 7.50 x 20 tires) | | - | - | - | 1 | 1 | 1 | 1 | 1 | 1 | 1 | 1 | 1 | 1 | 1 | - | - | - |
| | (8.25 x 20, 9.00 x 20 and 10.00 x 20 tires) | | - | - | - | 1 | 1 | 1 | 1 | 1 | 1 | 1 | 1 | 1 | 1 | 1 | 1 | 1 | 1 |
| | (11.00 x 20 tires) | | - | - | - | - | - | - | - | - | - | - | - | - | - | - | 1 | 1 | 1 |
| | (10.00 x 22 and 11.00 x 22 tires) | 3, 4 | - | - | - | - | - | - | - | - | - | - | - | - | - | - | 1 | 1 | 1 |
| 22-12-8 | BOLT | | | | | | | | | | | | | | | | | | |
| | (hex-hd., 5 23/32" lgh.) | | - | 1 | 1 | 1 | - | - | - | - | - | - | - | - | - | - | - | - | - |
| | (hex-hd., 7 7/32" lgh.) | | - | 1 | 1 | 1 | - | - | - | - | - | - | - | - | - | - | - | - | - |
| | (hex-hd., 8 23/32" lgh.) | | - | - | - | 1 | - | - | - | - | - | - | - | - | - | - | - | - | - |
| | (rd-hd., 9 5/8" lgh.) | | - | 1 | 1 | 1 | - | - | - | - | - | - | - | - | - | - | - | - | - |
| | (rd-hd., 10 3/8" lgh.) | | - | - | - | 1 | - | - | - | - | - | - | - | - | - | - | - | - | - |
| | (rd-hd., 11" lgh.) | | - | - | - | 1 | - | - | - | - | - | - | - | - | - | - | - | - | - |
| | Nut | | - | 1 | 1 | 1 | - | - | - | - | - | - | - | - | - | - | - | - | - |
| | Pin, cotter | | - | 1 | 1 | 1 | - | - | - | - | - | - | - | - | - | - | - | - | - |
| 22-12-13 | NUT, Adjusting | | - | 1 | 1 | 1 | - | - | - | - | - | - | - | - | - | - | - | - | - |
| 22-12-24 | NUT, Support Rod Adjusting | | - | - | - | 1 | 1 | 1 | 1 | 1 | 1 | 1 | 1 | 1 | 1 | 1 | 1 | 1 | 1 |
| | Nut | | - | - | - | 1 | 1 | 1 | 1 | 1 | 1 | 1 | 1 | 1 | 1 | 2 | 2 | 2 | 2 |
| 22-12-46 | BRACKET (except 11.00 x 20 and 11.00 x 22 tires) | | - | - | - | 2 | 2 | 2 | 2 | 2 | 2 | 2 | 2 | 2 | 2 | 2 | 2 | 2 | 2 |
| | (11.00 x 20 and 11.00 x 22 tires) | | - | - | - | - | - | - | - | - | - | - | - | - | - | 2 | 2 | 2 | 2 |
| | Bolt, 3/8"-24 x 1 1/4" | | - | - | - | 4 | 4 | 4 | 4 | 4 | 4 | 4 | 4 | 4 | 4 | 4 | 4 | 4 | 4 |
| | Nut | | - | - | - | 4 | 4 | 4 | 4 | 4 | 4 | 4 | 4 | 4 | 4 | 4 | 4 | 4 | 4 |
| | Washer, lock | | - | - | - | 4 | 4 | 4 | 4 | 4 | 4 | 4 | 4 | 4 | 4 | 4 | 4 | 4 | 4 |
| 22-12-47 | STRAP | | 1 | 1 | - | - | - | - | - | - | - | - | - | - | - | - | - | - | - |
| | (for 6.00 x 16, 6.50 x 16 and 6.00 x 20 tires) | | - | - | 1 | - | - | - | - | - | - | - | - | - | - | - | - | - | - |
| | (for 7.00 x 16, 7.50 x 16 and 8.25 x 16 tires) | | - | - | 1 | - | - | - | - | - | - | - | - | - | - | - | - | - | - |
| | Bolt, 3/4"-24 x 1" | | - | 4 | 4 | 4 | 4 | 4 | 4 | 4 | 4 | 4 | 4 | 4 | 4 | 4 | 4 | 4 | 4 |
| | Nut | | - | 4 | 4 | 4 | 4 | 4 | 4 | 4 | 4 | 4 | 4 | 4 | 4 | 4 | 4 | 4 | 4 |
| | Washer, lock | | - | 4 | 4 | 4 | 4 | 4 | 4 | 4 | 4 | 4 | 4 | 4 | 4 | 4 | 4 | 4 | 4 |
| 22-12-80 | HANGER | 1, 2, 3 | 1 | 1 | - | - | - | - | - | - | - | - | - | - | - | - | - | - | - |
| | (except 6.00 x 20 tires) | 1 | - | - | 1 | - | - | - | - | - | - | - | - | - | - | - | - | - | - |
| | (6.00 x 20 tires) (express jobs) | 1 | - | - | 1 | - | - | - | - | - | - | - | - | - | - | - | - | - | - |
| | (6.00 x 20 tires) (except express) | 1 | - | - | 1 | - | - | - | - | - | - | - | - | - | - | - | - | - | - |
| | | 2, 3 | - | - | 1 | - | - | - | - | - | - | - | - | - | - | - | - | - | - |
| | | 4 | 1 | 1 | 1 | - | - | - | - | - | - | - | - | - | - | - | - | - | - |
| 22-12-120 | SUPPORT, Rim (up to and including 7.50 x 20 tires) | | - | - | - | 2 | 2 | 2 | 2 | 2 | 2 | 2 | 2 | 2 | 2 | 2 | - | - | - |
| | (8.25 x 20, 9.00 x 20 and 10.00 x 20 tires) | | - | - | - | 2 | 2 | 2 | 2 | 2 | 2 | 2 | 2 | 2 | 2 | 2 | 2 | 2 | 2 |
| | Bolt, 5/16"-24 x 1" | | - | - | - | 2 | 2 | 2 | 2 | 2 | 2 | 2 | 2 | 2 | 2 | 2 | 2 | 2 | 2 |
| | Nut | | - | - | - | 2 | 2 | 2 | 2 | 2 | 2 | 2 | 2 | 2 | 2 | 2 | 2 | 2 | 2 |
| | Washer, lock | | - | - | - | 2 | 2 | 2 | 2 | 2 | 2 | 2 | 2 | 2 | 2 | 2 | 2 | 2 | 2 |
| 22-12-131 | ROD, Support (up to and including 7.50 x 20 tires) | | - | - | - | 2 | 2 | 2 | 2 | 2 | 2 | 2 | 2 | 2 | 2 | - | - | - | - |
| | (8.25 x 20, 9.00 x 20 and 10.00 x 20 tires) | | - | - | - | 2 | 2 | 2 | 2 | 2 | 2 | 2 | 2 | 2 | 2 | 2 | 2 | 2 | 2 |
| | (11.00 x 20 tires) | | - | - | - | - | - | - | - | - | - | - | - | - | 2 | 2 | 2 | 2 | 2 |
| | (10.00 x 22 and 11.00 x 22 tires) | 3, 4 | - | - | - | - | - | - | - | - | - | - | - | - | 2 | 2 | 2 | 2 | 2 |
| | Nut | | - | - | - | 2 | 2 | 2 | 2 | 2 | 2 | 2 | 2 | 2 | 2 | 2 | 2 | 2 | 2 |
| | Nut | | - | - | - | 2 | 2 | 2 | 2 | 2 | 2 | 2 | 2 | 2 | 2 | 2 | 2 | 2 | 2 |
| | Pin, clevis | | - | - | - | 2 | 2 | 2 | 2 | 2 | 2 | 2 | 2 | 2 | 2 | 2 | 2 | 2 | 2 |
| | Pin, cotter | | - | - | - | 2 | 2 | 2 | 2 | 2 | 2 | 2 | 2 | 2 | 2 | 2 | 2 | 2 | 2 |

★ Indicates use as required.

Ⓚ Indicates parts not listed in any previous parts books.

Series No. (1 indicates B-1 Series) (2 indicates B-2 Series) (3 indicates B-3 Series) (4 indicates B-4 Series)

Where no Series No. is shown part is for B-1, B-2, B-3 and B-4 Series.

April 6, 1953 Supersedes Dec. 31, 1952.

Prices and specifications subject to change without notice.

Printed in U.S.A.

* Indicates change or addition.

| CODE | PART NAME AND DESCRIPTION | SERIES NO. | MODEL CODES | | | | | | | | | | | | | PART NO. | | | |
|------------------------------------|---|------------|-------------|---|---|---|---|--------|----|----|----------|---|----|---|----|----------|---|---|---|
| | | | B | C | D | F | G | H & HH | FM | GM | HM & HHM | J | JM | K | KM | | R | T | V |
| TIRE CARRIER - MOUNTED REAR OF CAB | | | | | | | | | | | | | | | | | | | |
| 22-19-1 | SUPPORT (7.00 x 20 tires) | - | - | - | - | 1 | 1 | 1 | 1 | 1 | 1 | 1 | 1 | 1 | 1 | - | - | - | - |
| | (7.50 x 20 and 8.25 x 20 tires) | - | - | - | - | 1 | 1 | 1 | 1 | 1 | 1 | 1 | 1 | 1 | 1 | - | - | - | - |
| | Rivet | - | - | - | - | 4 | 4 | 4 | 4 | 4 | 4 | 4 | 4 | 4 | 4 | - | - | - | - |
| 22-19-8 | REINFORCEMENT, Hinge | - | - | - | - | 2 | 2 | 2 | 2 | 2 | 2 | 2 | 2 | 2 | 2 | - | - | - | - |
| 22-19-16 | ARM | - | - | - | - | 2 | 2 | 2 | 2 | 2 | 2 | 2 | 2 | 2 | 2 | - | - | - | - |
| 22-19-19 | BOLT, Hinge | - | - | - | - | 2 | 2 | 2 | 2 | 2 | 2 | 2 | 2 | 2 | 2 | - | - | - | - |
| | Nut | - | - | - | - | 2 | 2 | 2 | 2 | 2 | 2 | 2 | 2 | 2 | 2 | - | - | - | - |
| | Pin, cotter | - | - | - | - | 2 | 2 | 2 | 2 | 2 | 2 | 2 | 2 | 2 | 2 | - | - | - | - |
| 22-19-20 | SPACER, Hinge Bolt | - | - | - | - | 2 | 2 | 2 | 2 | 2 | 2 | 2 | 2 | 2 | 2 | - | - | - | - |
| 22-19-24 | BOLT, Clamp, w/NUT | - | - | - | - | 2 | 2 | 2 | 2 | 2 | 2 | 2 | 2 | 2 | 2 | - | - | - | - |
| | Pin, cotter | - | - | - | - | 2 | 2 | 2 | 2 | 2 | 2 | 2 | 2 | 2 | 2 | - | - | - | - |
| 22-19-25 | NUT, Clamp Bolt | - | - | - | - | 2 | 2 | 2 | 2 | 2 | 2 | 2 | 2 | 2 | 2 | - | - | - | - |
| 22-19-29 | STOP, Arm (used with fuel tank on outside of frame) | - | - | - | - | 1 | 1 | 1 | 1 | 1 | 1 | 1 | 1 | 1 | 1 | - | - | - | - |
| | Bolt, 3/8" -24 x 1" | - | - | - | - | 2 | 2 | 2 | 2 | 2 | 2 | 2 | 2 | 2 | 2 | - | - | - | - |
| | Nut | - | - | - | - | 2 | 2 | 2 | 2 | 2 | 2 | 2 | 2 | 2 | 2 | - | - | - | - |
| | Washer, lock | - | - | - | - | 2 | 2 | 2 | 2 | 2 | 2 | 2 | 2 | 2 | 2 | - | - | - | - |
| SPARE TIRE CARRIER LOCK | | | | | | | | | | | | | | | | | | | |
| 22-48-4 | HOUSING | - | 1 | 1 | 1 | - | - | - | - | - | - | - | - | - | - | - | - | - | - |
| 22-48-8 | NUT, Housing | - | 1 | 1 | 1 | - | - | - | - | - | - | - | - | - | - | - | - | - | - |
| 22-48-12 | CYLINDER, w/KEYS | - | 1 | 1 | 1 | - | - | - | - | - | - | - | - | - | - | - | - | - | - |
| 22-48-14 | KEY (blank) (series 1 BP to 1000 BP) | - | 2 | 2 | 2 | - | - | - | - | - | - | - | - | - | - | - | - | - | - |

NOTES

★Indicates use as required.

Prices and specifications subject to change without notice.

□Indicates parts not listed in any previous parts books.

Series No. (1 indicates B-1 Series) (2 indicates B-2 Series) (3 indicates B-3 Series) (4 indicates B-4 Series)

Where no Series No. is shown part is for B-1, B-2, B-3 and B-4 Series.

* Indicates change or addition.

| CODE | PART NAME AND DESCRIPTION | SERIES NO. | MODEL CODES | | | | | | | | | | | | | PART NO. |
|------|---------------------------|------------|-------------|---|---|---|---|--------|----|----|----------|---|----|---|----|----------|
| | | | B | C | D | F | G | H & HH | FM | GM | HM & HHM | J | JM | K | KM | |

NOTES

Lined area for handwritten notes.

★ Indicates use as required.

□ Indicates parts not listed in any previous parts books.

Series No. (1 indicates B-1 Series) (2 indicates B-2 Series) (3 indicates B-3 Series) (4 indicates B-4 Series)

Where no Series No. is shown part is for B-1, B-2, B-3 and B-4 Series.

December 31, 1952

Prices and specifications subject to change without notice.