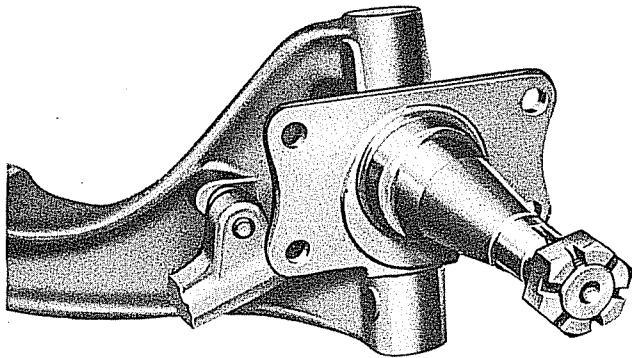
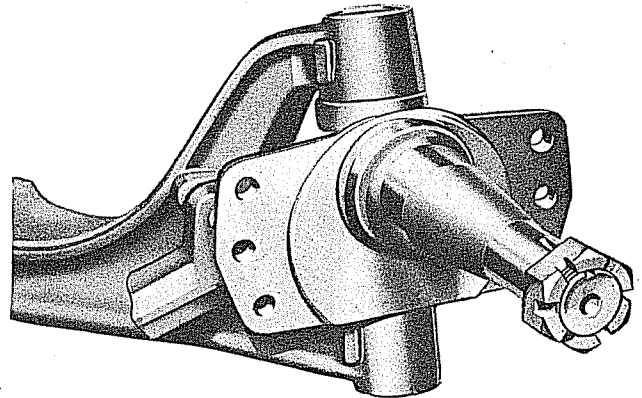


**GROUP 2 - AXLE - FRONT**



**19x5920**

**TYPE 1 (3750 lb.) (Front Axle)**



**19x5921**

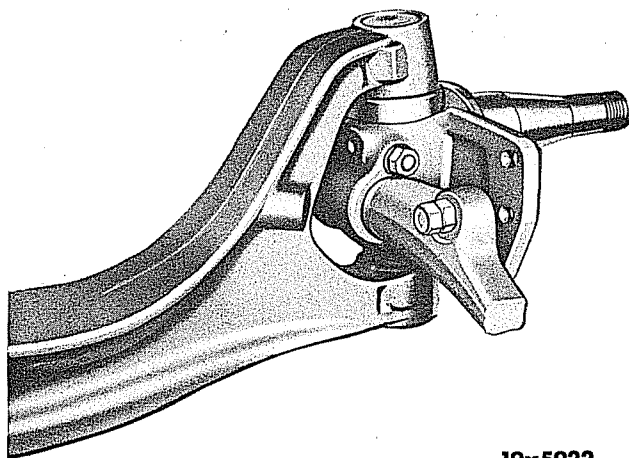
**TYPE 2 (4500 lb.) (Front Axle)**

Plate 2-1

**FRONT AXLE IDENTIFICATION FOR F AND G SERIES**

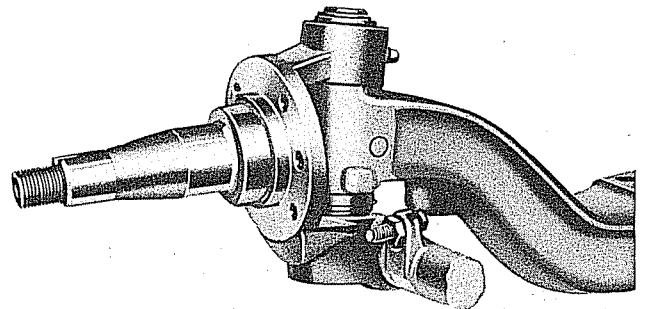
Note that on the 3750 lb. front axle there are 4 holes in the knuckle for attaching the brake support, while on the 4500 lb. front axle there are 6 brake support mounting holes.

Refer to the above pictures to identify which type front axle is on vehicle. If type 1 is used specify parts indicated (3750 lb. front axle). If type 2 is used specify parts indicated (4500 lb. front axle). Parts not indicated by an axle weight are common to both types of front axles.



**19x5922**

**TYPE 1 (5000 lb.) (Front Axle)  
(Elliott Type)**



**19x5923**

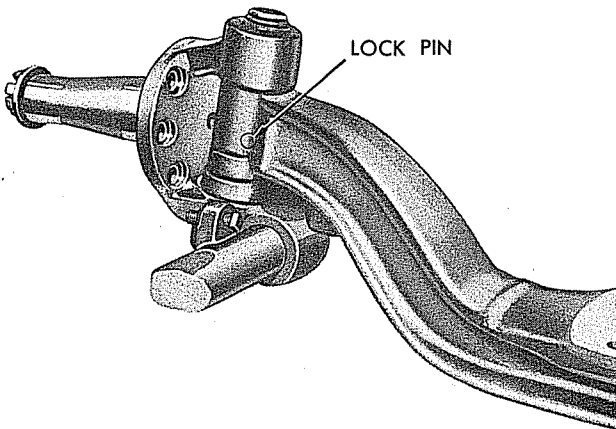
**TYPE 2 (5500 and 6000 lb.) (Front Axle)  
(Reverse Elliott Type)**

Plate 2-2

**FRONT AXLE IDENTIFICATION FOR R SERIES**

Note that the 5000 lb. front axle is of the "Elliott" type, with the steering knuckle bushings in the I-beam, while the 5500 and 6000 lb. front axles are of the "Reverse Elliott" type with the bushings in the steering knuckle.

Refer to the above pictures to identify which type front axle is on vehicle. If type 1 is used specify parts indicated (5000 lb. front axle). If type 2 is used specify parts indicated (6000 lb. front axle). Parts not indicated by an axle weight are common to both types of front axles.

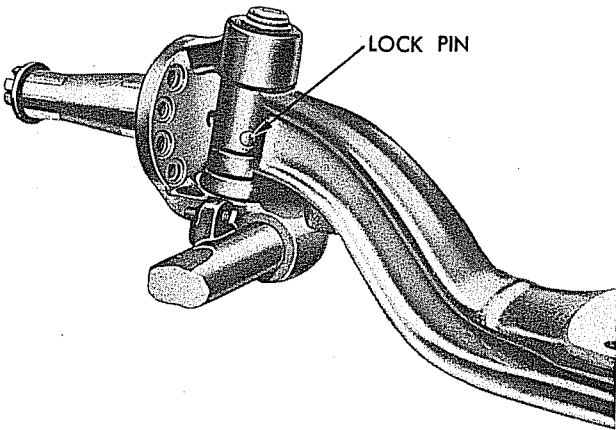


LOCK PIN

19x5924

TYPE 1 (6000 lb.) (Front Axle)

Note: Type 1, 6000 lb. front axle, has conventional type king pin, held in place by a lock pin, and six (6) brake support mounting bolt holes.



LOCK PIN

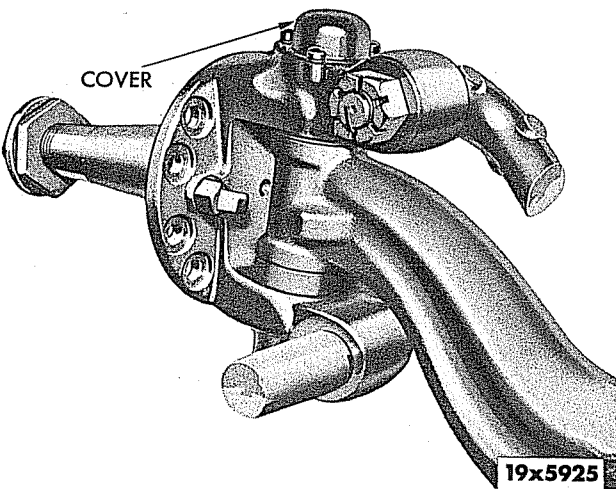
19x5926

TYPE 2 (7500 lb.) (Front Axle)

Type 2, 7500 lb. front axle, also has conventional type king pin, held in place by a lock pin, but with eight (8) brake support mounting bolt holes.

Type 3, 8000 lb. front axle, can be readily distinguished from the other two types in that it has a new type king pin held in place by a cover.

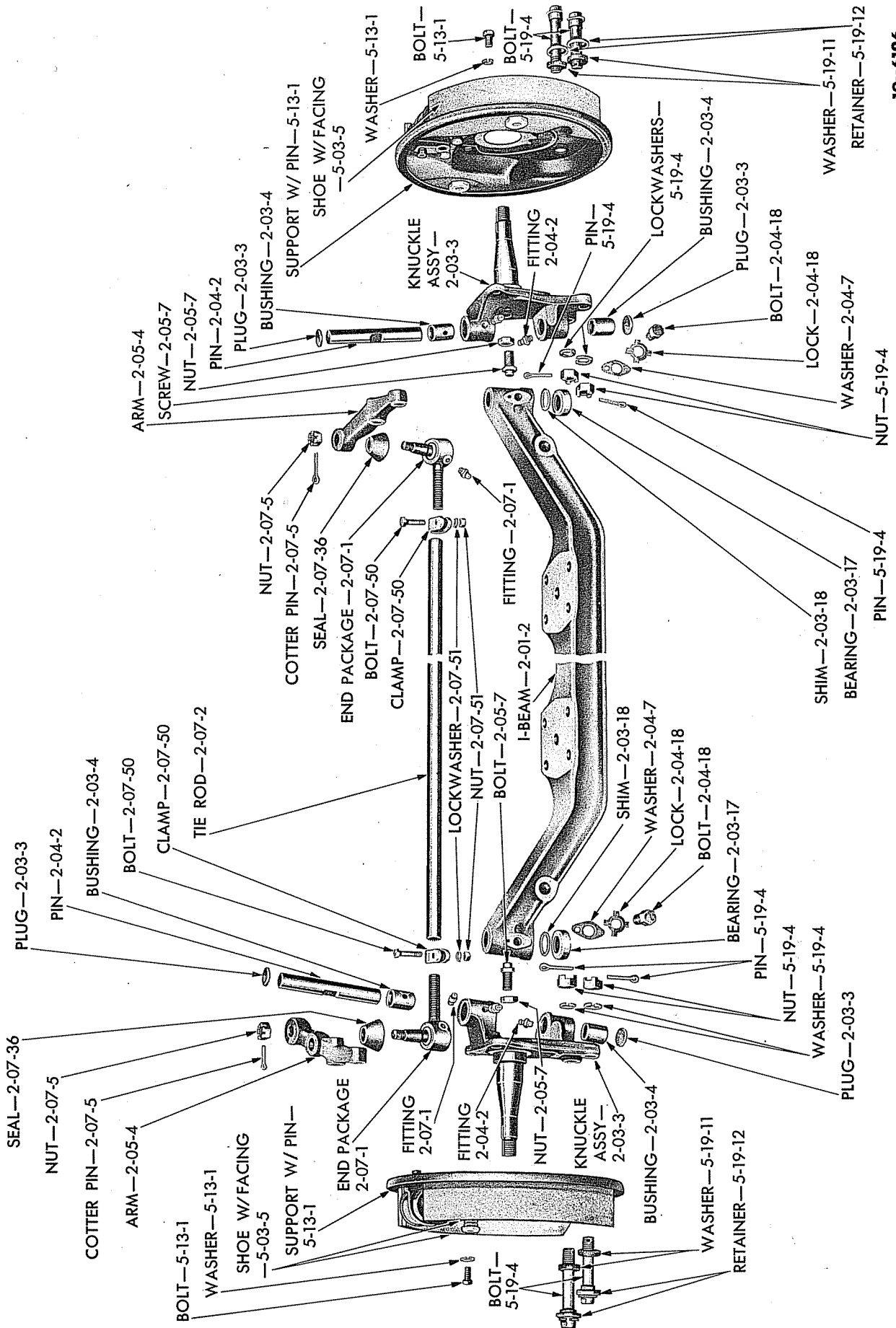
Refer to illustrations to identify which type front axle is on vehicle. If type 1 is used specify parts indicated 6000 lb. front axle. If type 2 is used specify parts indicated 7500 lb. front axle. If type 3 is used specify parts indicated 8000 lb. front axle. Parts not indicated by an axle weight are common to all three types of front axle.



COVER

19x5925

TYPE 3 (8000 lb.) (Front Axle)

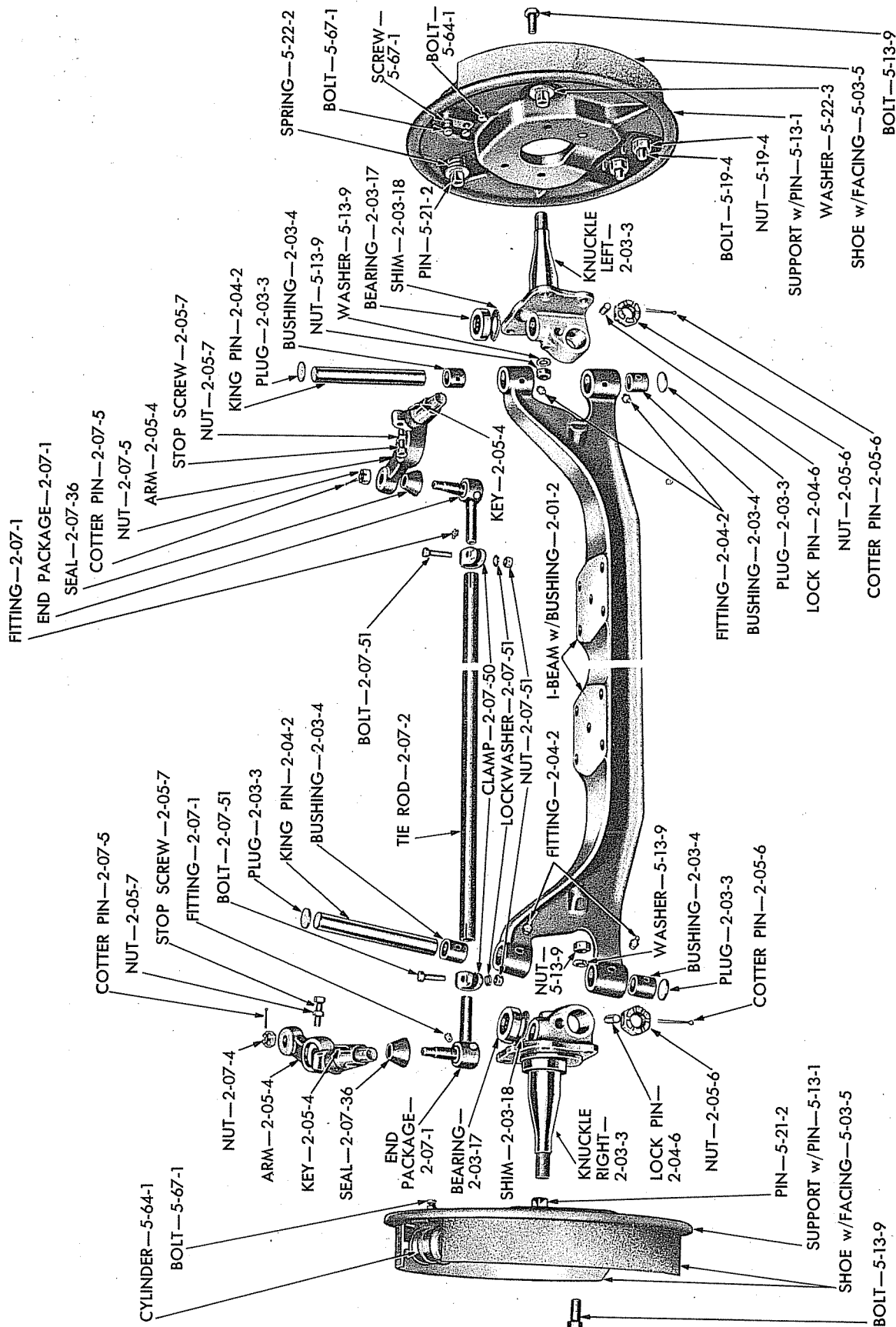


19x6126

FRONT AXLE (1/2, 3/4 AND 1 TON) (EXPLODED VIEW)

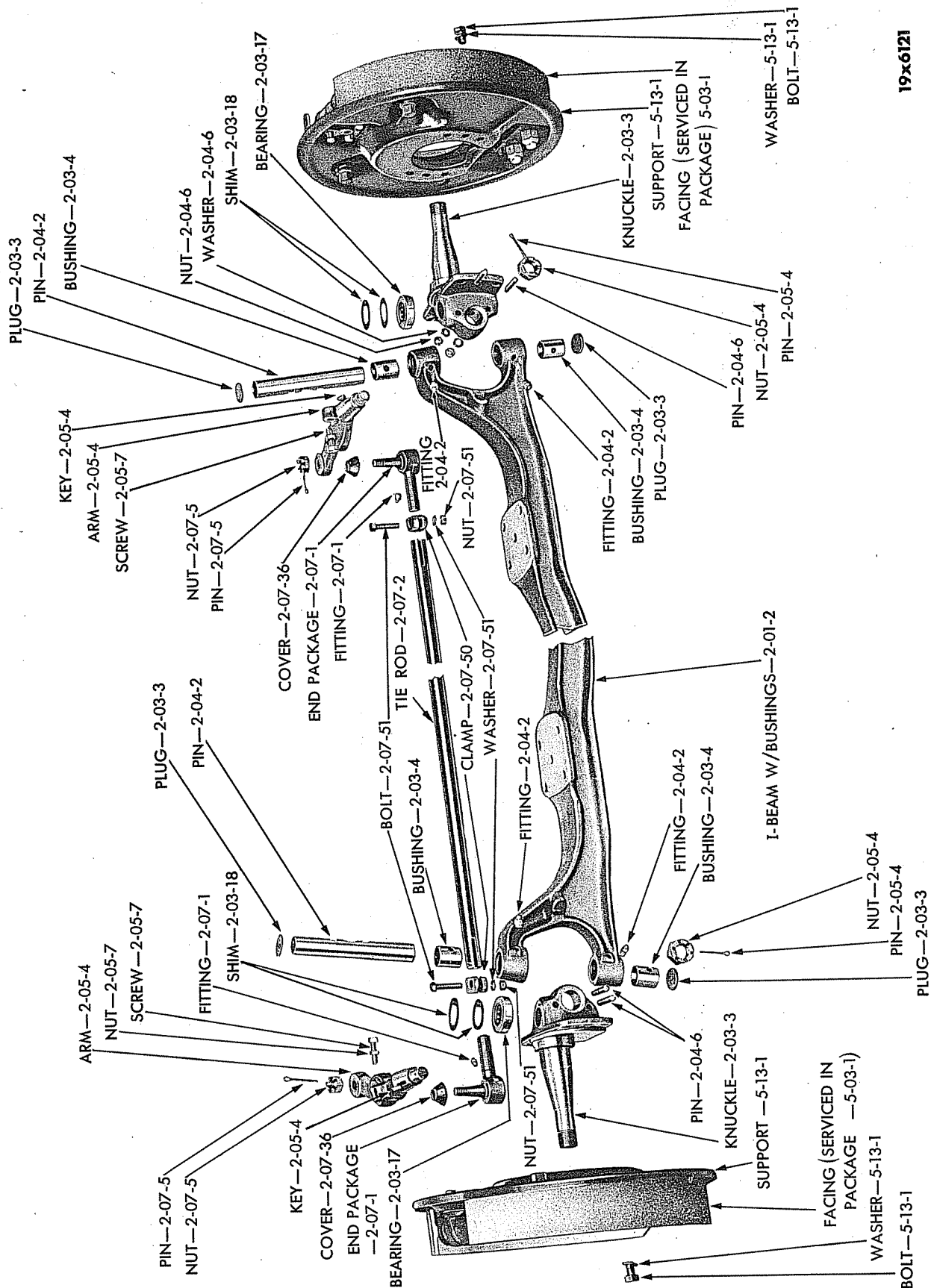
Plate 2-4

19x4041E



FRONT AXLE (1 1/2 TON) (EXPLODED VIEW)

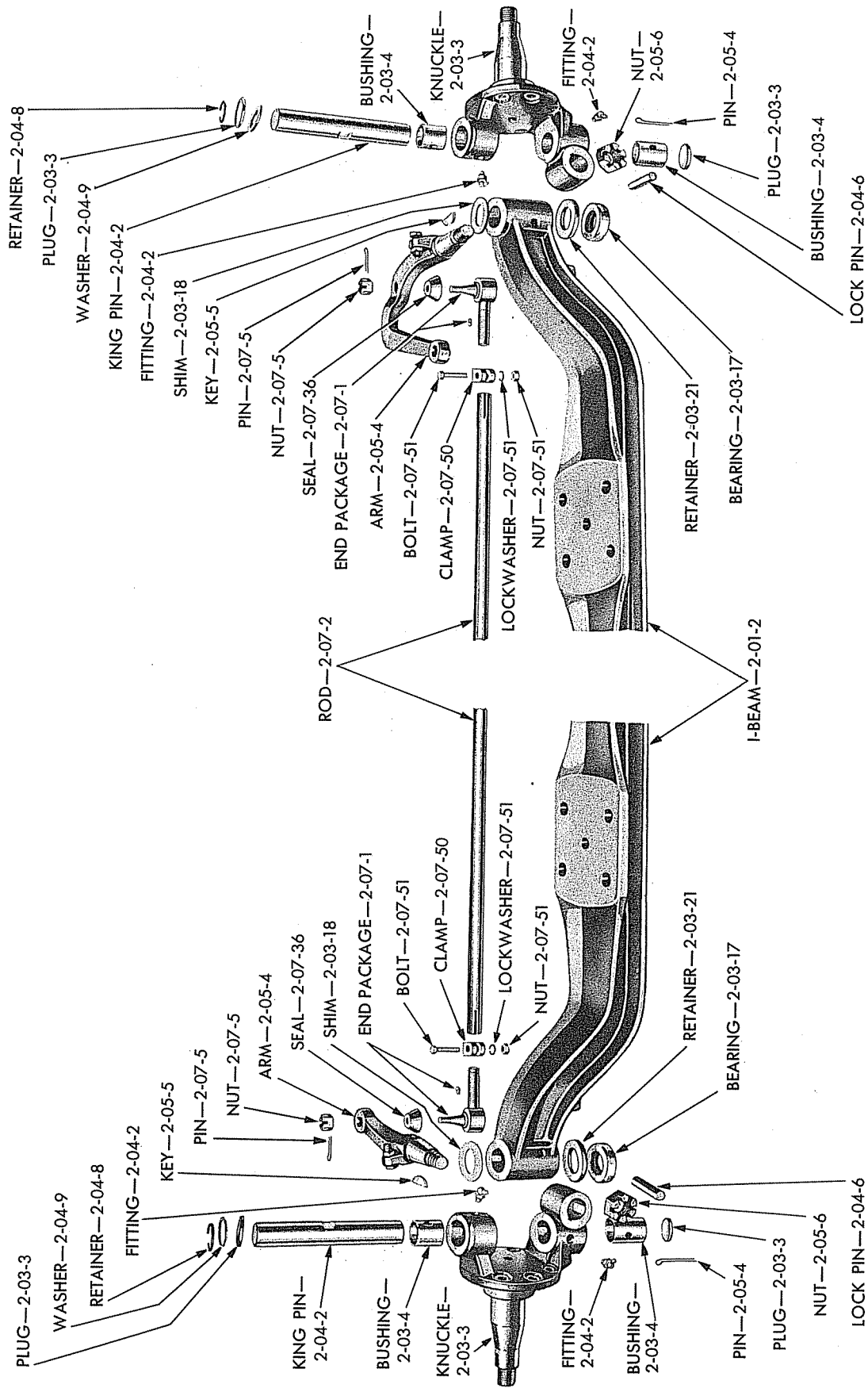
Plate 2-5



19x6121

FRONT AXLE (2 TON) (EXPLODED VIEW)

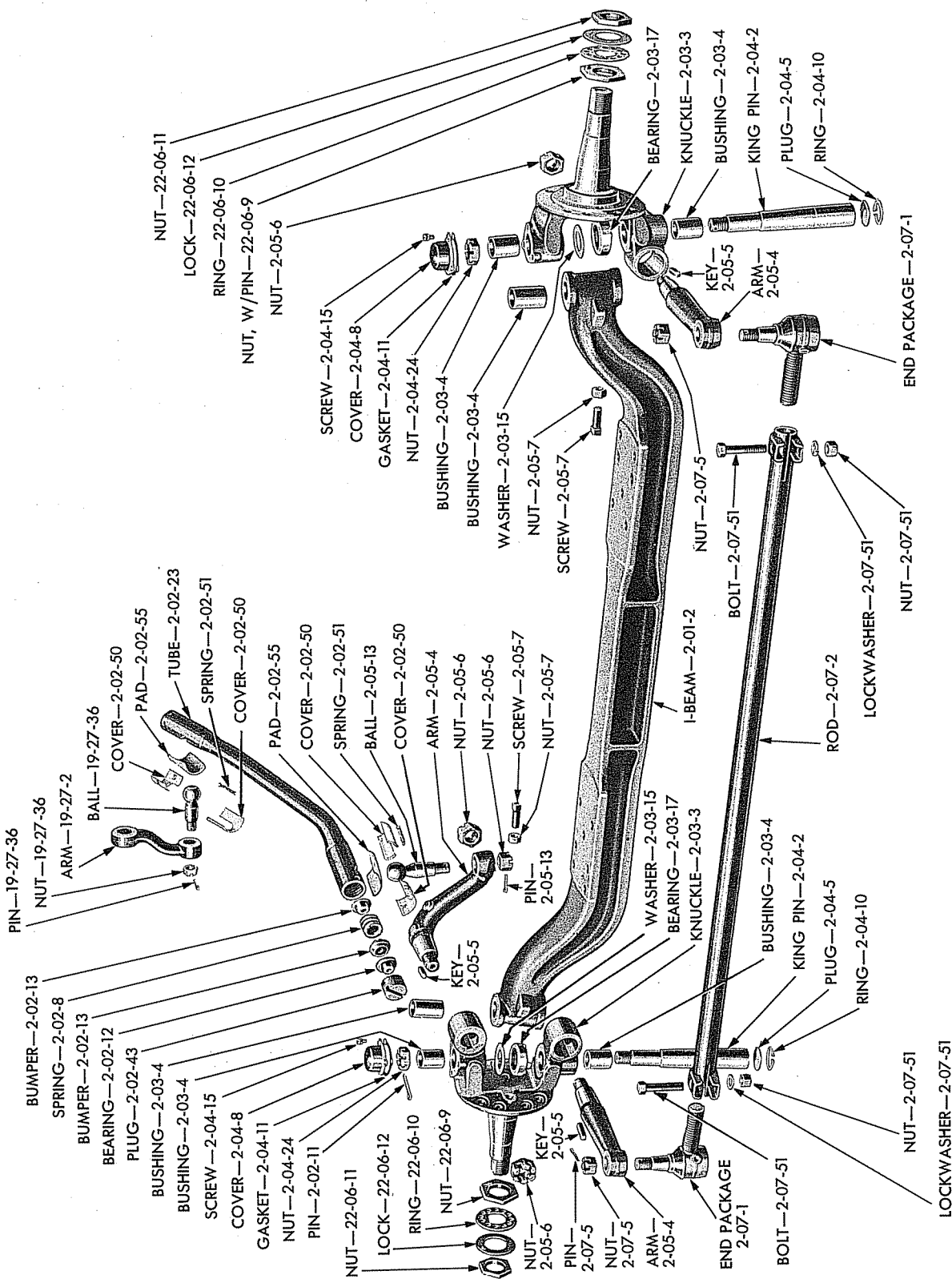
Plate 2-6

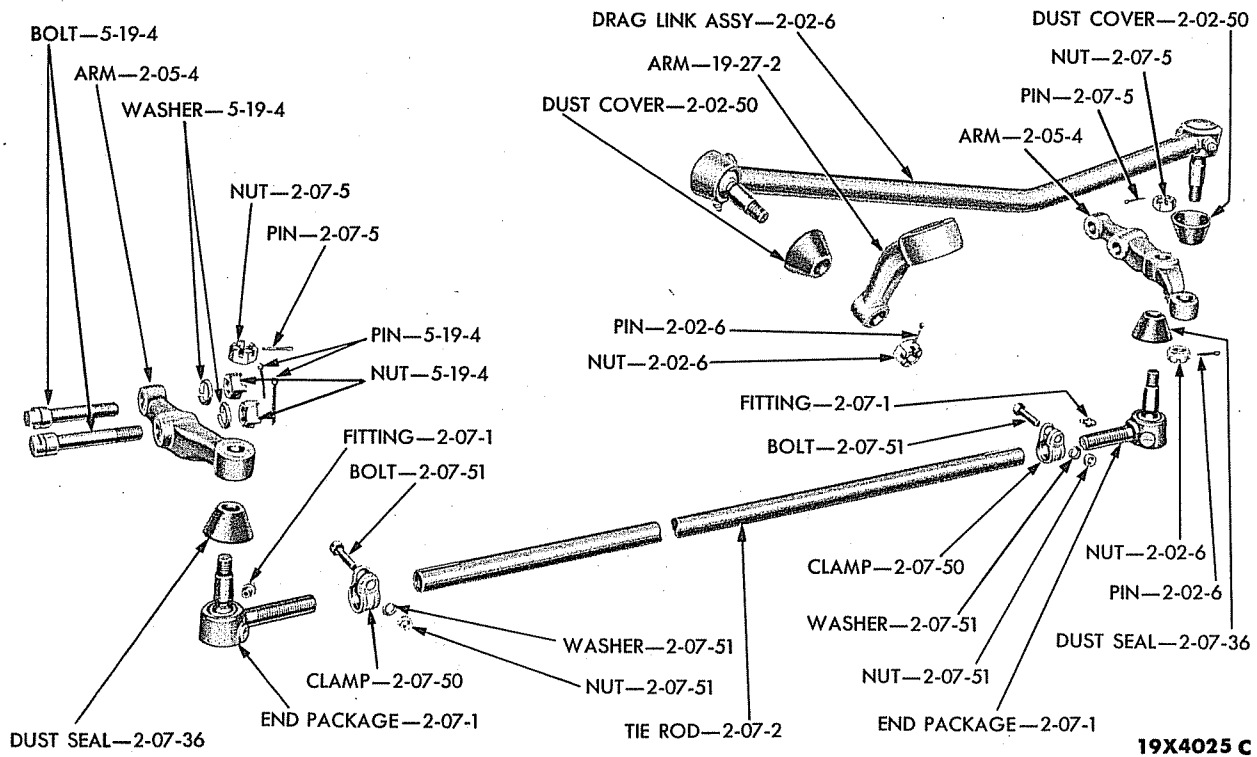


19 x 5561A

FRONT AXLE (7500 lb.) (EXPLODED VIEW)

Plate 2-7

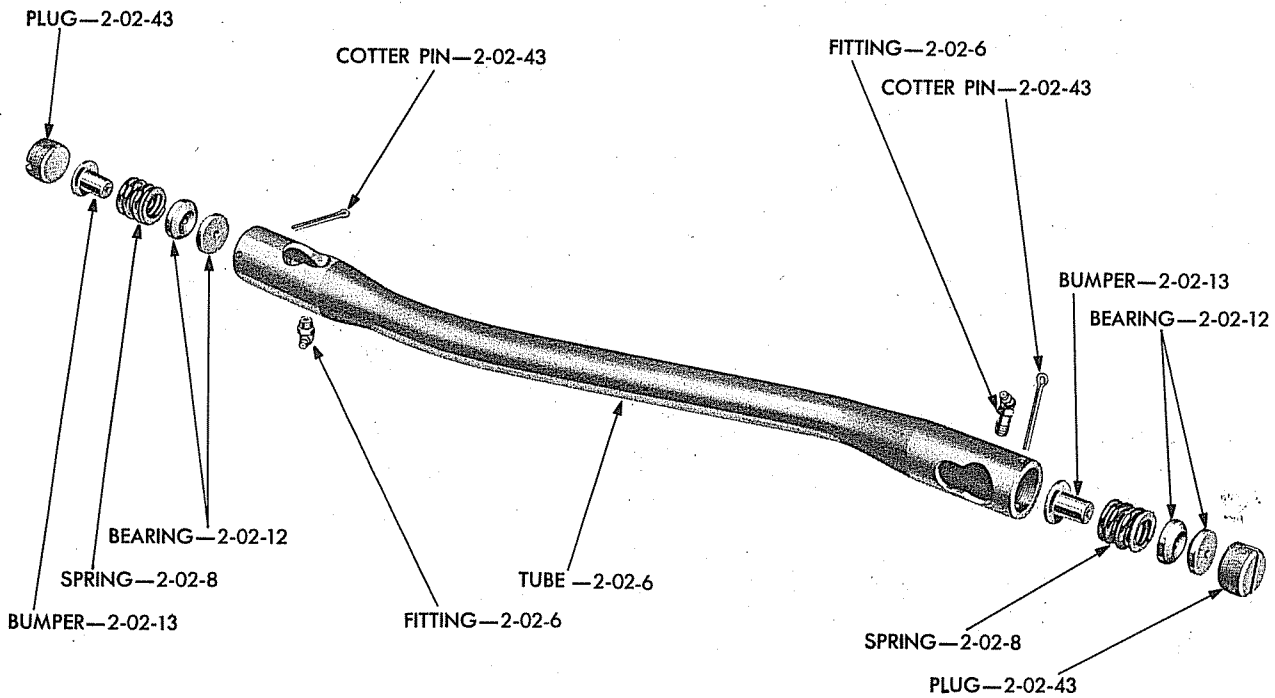




19X4025 C

Plate 2-9

STEERING KNUCKLE TIE ROD (1/2, 3/4 AND 1 TON) (EXPLODED VIEW)



19X4090 B

Plate 2-10

DRAG LINK (CAB-OVER-ENGINE) (EXPLODED VIEW)



CODE	PART NAME AND DESCRIPTION	SERIES NO.	MODEL CODES														PART NO.		
			B	C	D	F	G	H & HH	FM	GM	HM & HHM	J	JM	K	KM	R		T	V
Note 1:	Where no mention is made of weight of axles, specify the same parts for heavy duty axles as for standard axles.																		
Note 2:	A 7500 lb. axle was available for models T and V up to serial No. 81793658. An 8000 lb. axle replaced the 7500 lb. axle after serial No. 81793658.																		
Note 3:	Parts used UP TO serial Nos:																		
	B-2-B	Detroit Built																	San Leandro Built
	B-2-C	82182127																	85303826
	B-2-D	83351873																	85507099
		81288101 also																	
		81289200 thru 81289309																	86009034
Note 4:	Parts used AFTER serial Nos:																		
	B-2-B	Detroit Built																	San Leandro Built
	B-2-C	82182127																	85303826
	B-2-D	83351873																	85507099
		81288101 except																	
		81289200 thru 81289309																	86009034
Note 5:	Parts used UP TO serial Nos:																		
	B-1-R	Detroit Built																	San Leandro Built
	B-1-T, B-1-V	81856101 also																	
		81856161 thru 81856250																	85025722
		81790078 except																	
		81790056 thru 81790076																	85000583
Note 6:	Parts used AFTER serial Nos:																		
	B-1-R	Detroit Built																	San Leandro Built
	B-1-T, B-1-V	81856101 except																	
		81856161 thru 81856250																	85025722
		81790078 also																	
		81790056 thru 81790076																	85000583

FRONT AXLE I-BEAM

CODE	PART NAME AND DESCRIPTION	SERIES NO.	B	C	D	F	G	H & HH	FM	GM	HM & HHM	J	JM	K	KM	R	T	V	Y	PART NO.
2-01-2	I-BEAM (see note 3)	1,2	1	1	1	-	-	-	-	-	-	-	-	-	-	-	-	-	-	1193 805
	(see note 4)	1,2	1	1	1	-	-	-	-	-	-	-	-	-	-	-	-	-	-	1271 386
	w/BUSHING	3,4	1	1	1	-	-	-	-	-	-	-	-	-	-	-	-	-	-	1271 931
	(3750 lb. axle)	-	-	-	-	1	1	-	-	-	-	-	-	-	-	-	-	-	-	1193 886
	w/BUSHING	-	-	-	-	1	1	1	1	1	1	1	1	1	1	-	-	-	-	1194 813
	(4500 lb. axle)	-	-	-	-	1	1	1	1	1	1	1	1	1	1	-	-	-	-	1195 854
	w/BUSHING	-	-	-	-	-	-	-	-	-	-	1	1	1	1	1	-	-	-	1195 854
	(5000 lb. axle)	-	-	-	-	-	-	-	-	-	-	1	1	1	1	1	-	-	-	1195 854
	(5500 lb. or 6000 lb. axle with 30 7/16" spring seat centers)	-	-	-	-	-	-	-	-	-	-	-	-	-	-	-	1	-	-	1261 290
	(6000 lb. axle with 31 5/8" spring seat centers)	-	-	-	-	-	-	-	-	-	-	-	-	-	-	-	1	1	1	1196 394
	(6000 lb. axle)	2,3	-	-	-	-	-	-	-	-	-	-	-	-	-	-	-	-	1	1269 975
	(7500 lb. axle)	1,2	-	-	-	-	-	-	-	-	-	-	-	-	-	-	1	1	-	1260 935
	(8000 lb. axle)	2	-	-	-	-	-	-	-	-	-	-	-	-	-	-	1	1	-	1267 387
	(8000 lb. axle)	3,4	-	-	-	-	-	-	-	-	-	-	-	-	-	-	1	1	-	1270 436
	(8000 lb. axle)	2,3,4	-	-	-	-	-	-	-	-	-	-	-	-	-	-	-	-	1	1267 387

DRAG LINK

2-02-1	LINK PARTS PACKAGE (see note 1)	-	-	-	-	-	-	-	1	1	1	-	1	-	1	-	-	-	-	1057 757
	(see note 1)	2,3,4	-	-	-	-	-	-	-	-	-	-	-	-	-	-	-	-	2	1321 104
2-02-2	DUST COVER PACKAGE (axle end) (see note 1)	-	-	-	-	-	-	-	1	1	1	-	1	-	1	-	-	-	-	1057 755
	(steering gear end) (see note 1)	-	-	-	-	-	-	-	1	1	1	-	1	-	1	-	-	-	-	1057 756
	(see note 1)	2,3,4	-	-	-	-	-	-	-	-	-	-	-	-	-	-	-	-	2	1321 103

★Indicates use as required.

□Indicates parts not listed in any previous parts books.

Series No. (1 indicates B-1 Series) (2 indicates B-2 Series) (3 indicates B-3 Series) (4 indicates B-4 Series)

Where no Series No. is shown part is for B-1, B-2, B-3 and B-4 Series.

Prices and specifications subject to change without notice.

CODE	PART NAME AND DESCRIPTION	SERIES NO.	MODEL CODES														PART NO.		
			B	C	D	F	G	H & HH	FM	GM	HM & HHM	J	JM	K	KM	R		T	V
DRAG LINK - Cont'd																			
2-02-3	END PACKAGE (3750 lb. axle) . . . . .	-	-	-	-	2	2	-	-	-	-	-	-	-	-	-	-	-	1238 405
	(4500 lb. and 5000 lb. axle) . . . . .	-	-	-	-	2	2	2	-	-	-	2	-	2	-	2	-	-	1238 406
	(5500 lb., 6000 lb., 7500 lb. axle) . . . . .	-	-	-	-	-	-	-	-	-	-	-	-	-	-	2	2	2	1241 696
2-02-6	LINK . . . . .	3,4	1	1	1	-	-	-	-	-	-	-	-	-	-	-	-	-	1195 802
	(3750 lb. axle) . . . . .	3,4	-	-	-	1	1	-	-	-	-	-	-	-	-	-	-	-	*1271 376
	TUBE (3750 lb. axle) . . . . .	1,2	-	-	-	1	1	-	-	-	-	-	-	-	-	-	-	-	1195 813
	(3750 lb. axle) . . . . .	3,4	-	-	-	1	1	-	-	-	-	-	-	-	-	-	-	-	*1271 377
	(4500 lb. and 5000 lb. axle) (see note 1) . . . . .	-	-	-	-	1	1	1	-	1	-	1	-	1	-	1	-	-	*1195 890
	(5500 lb., 6000 lb., 7500 lb. axle) . . . . .	-	-	-	-	-	-	1	1	1	-	1	-	1	-	-	-	-	1196 178
	Fitting, lubricant (front) . . . . .	-	-	-	-	-	-	-	1	1	1	-	1	-	1	-	1	1	1196 859
	(rear) . . . . .	-	2	2	2	2	2	-	-	-	2	-	2	-	2	2	2	-	109 365
	(rear) . . . . .	-	-	-	-	-	-	2	2	2	-	2	-	2	-	-	-	-	145 433
	(3750 lb. axle) . . . . .	-	-	-	-	2	2	-	-	-	-	-	-	-	-	-	-	-	145 434
	Nut . . . . .	-	2	2	2	-	-	-	-	-	-	-	-	-	-	-	-	-	128 178
	Pin, cotter . . . . .	-	2	2	2	-	-	-	-	-	-	-	-	-	-	-	-	-	108 636
2-02-8	SPRING, Ball (see note 1) . . . . .	-	-	-	-	-	-	2	2	2	-	2	-	2	-	-	-	-	530 560
	Idler Arm to Knuckle Arm (see note 1) . . . . .	2,3,4	-	-	-	-	-	-	-	-	-	-	-	-	-	-	-	2	553 988
2-02-10	STUD, Ball (see note 1) . . . . .	-	-	-	-	-	-	1	1	1	-	1	-	1	-	-	-	-	1188 800
	Nut (4500 lb. and 5000 lb. axle) (3750 lb. axle) . . . . .	-	-	-	2	2	-	2	2	2	-	2	-	2	-	-	-	-	125 267
	(3750 lb. axle) . . . . .	-	-	-	2	2	-	-	-	-	-	-	-	-	-	-	-	-	102 648
	Pin, cotter (3750 lb. axle) (4500 lb., 5000 lb. axle) . . . . .	-	-	-	2	2	-	-	-	-	-	-	-	-	-	-	-	-	108 636
2-02-11	NUT, Tube End Ball (4500 lb., 5000 lb. axle) . . . . .	-	-	-	-	2	2	-	-	-	2	-	2	-	2	-	-	-	119 209
	(5500 lb., 6000 lb., 7500 lb. axle) . . . . .	-	-	-	-	-	-	-	-	-	-	-	-	-	2	2	2	-	1263 946
	Arm to Idler Arm Tube End Ball (see note 1) . . . . .	2,3,4	-	-	-	-	-	-	-	-	-	-	-	-	-	-	-	2	1196 870
	Pin, cotter . . . . .	-	-	-	-	-	-	-	-	-	-	-	-	-	2	2	2	2	119 209
2-02-12	BEARING, Link Ball (see note 1) . . . . .	-	-	-	-	-	-	4	4	4	-	4	-	4	-	-	-	-	928 950
	Idler Arm to Knuckle Arm (see note 1) . . . . .	2,3,4	-	-	-	-	-	-	-	-	-	-	-	-	-	-	-	4	553 990
2-02-13	BUMPER, End Idler Arm to Knuckle Arm Spring (see note 1) . . . . .	2,3,4	-	-	-	-	-	2	2	2	-	2	-	2	-	-	-	-	530 558
2-02-18	SEAL, Steering Arm to Idler Arm Tube End Ball Dust . . . . .	2,3,4	-	-	-	-	-	-	-	-	-	-	-	-	-	-	-	2	553 991
2-02-20	TUBE, Steering Arm to Idler Arm (see note 1) . . . . .	2,3,4	-	-	-	-	-	-	-	-	-	-	-	-	-	-	-	2	*1196 869
	Fitting, lubricant . . . . .	2,3,4	-	-	-	-	-	-	-	-	-	-	-	-	-	-	-	1	1267 428
2-02-23	TUBE, Steering Idler Arm to Knuckle Arm (see note 1) . . . . .	2,3,4	-	-	-	-	-	-	-	-	-	-	-	-	-	-	-	2	145 433
	Fitting, lubricant . . . . .	2,3,4	-	-	-	-	-	-	-	-	-	-	-	-	-	-	-	1	1267 430
2-02-34	CLAMP, Tube (3750 lb. axle) . . . . .	1,2	-	-	-	2	2	-	-	-	-	-	-	-	-	-	-	-	145 433
	(4500 lb., 5000 lb. axle) . . . . .	1,2	-	-	-	2	2	2	-	-	2	-	2	-	2	-	-	-	1194 500
	(5500 lb., 6000 lb., 7500 lb. axle) . . . . .	-	-	-	-	-	-	-	-	-	-	-	-	-	2	2	2	2	1195 896
2-02-35	BOLT, Tube Clamp (3/8" -24 x 1 5/8") (3750 lb. axle) . . . . .	-	-	-	-	2	2	-	-	-	-	-	-	-	-	-	-	-	1196 867
	(3750 lb. axle) . . . . .	-	-	-	-	2	2	-	-	-	-	-	-	-	-	-	-	-	1194 840

\*Indicates use as required.

□Indicates parts not listed in any previous parts books.

Series No. (1 indicates B-1 Series) (2 indicates B-2 Series) (3 indicates B-3 Series) (4 indicates B-4 Series)

Where no Series No. is shown part is for B-1, B-2, B-3 and B-4 Series.

Sept. 8, 1953 Supersedes Dec. 31, 1952.

Prices and specifications subject to change without notice.

Printed in U.S.A.

\* Indicates change or addition.

CODE	PART NAME AND DESCRIPTION	SERIES NO.	MODEL CODES													PART NO.				
			B	C	D	F	G	H & HH	FM	GM	HM & HHM	J	JM	K	KM		R	T	V	Y
<b>DRAG LINK - Cont'd</b>																				
2-02-35	BOLT, Tube Clamp (1/2" -20 x 2 1/4") (4500 lb., 5000 lb. axle) . . . . .	-	-	-	-	2	2	2	-	-	-	2	-	2	-	2	-	-	-	1195 897
	(5/8" -18 x 2 3/4") (5500 lb., 6000 lb., 7500 lb. axle) . . . . .	-	-	-	-	-	-	-	-	-	-	-	-	-	-	2	2	2	-	1196 868
	Steering Arm to Idler Arm End Clamp (5/8" -18 x 2 3/4") (see note 1) . . . . .	2, 3, 4	-	-	-	-	-	-	-	-	-	-	-	-	-	-	-	-	2	1196 868
	Nut (3750 lb. axle) . . . . .	-	-	-	2	2	-	-	-	-	-	-	-	-	-	-	-	-	-	120 369
	(4500 lb. axle) . . . . .	-	-	-	2	2	2	-	-	-	-	-	-	-	-	-	-	-	-	120 371
	Washer, lock . . . . .	-	-	-	-	-	-	-	-	-	-	-	-	-	2	2	2	2	-	121 358
	(3750 lb. axle) . . . . .	-	-	-	2	2	-	-	-	-	-	-	-	-	-	-	-	-	-	120 382
	(4500 lb. and 5000 lb. axle) . . . . .	-	-	-	2	2	2	-	-	-	2	-	2	-	2	-	-	-	-	120 384
		-	-	-	-	-	-	-	-	-	-	-	-	-	2	2	2	2	-	121 574
2-02-43	PLUG, End (see note 1) . . . . .	-	-	-	-	-	-	-	2	2	2	-	2	-	2	-	-	-	-	530 899
	Idler Arm to Knuckle Arm (see note 1) . . . . .	-	-	-	-	-	-	-	-	-	-	-	-	-	-	-	-	-	2	553 989
	Pin, cotter . . . . .	-	-	-	-	-	-	-	2	2	2	-	2	-	2	-	-	-	-	103 403
		-	-	-	-	-	-	-	-	-	-	-	-	-	-	-	-	-	2	103 415
2-02-50	SEAL, End Ball Dust (4500 lb., 5000 lb. axle) . . . . .	-	-	-	2	2	2	-	-	-	-	2	-	2	-	2	-	-	-	1194 860
	(5500 lb., 6000 lb., 7500 lb. axle) . . . . .	-	-	-	-	-	-	-	-	-	-	-	-	-	-	2	2	2	-	1196 869
	COVER, End Ball Dust (except 4500 lb. axle) . . . . .	-	2	2	2	2	2	2	-	-	-	-	-	-	-	-	-	-	-	1261 187
	(steering gear end) (see note 1) . . . . .	-	-	-	-	-	-	-	1	1	1	-	1	-	1	-	-	-	-	928 956
	Inner Dust (axle end) (see note 1) . . . . .	-	-	-	-	-	-	-	1	1	1	-	1	-	1	-	-	-	-	928 952
	Outer Dust (axle end) (see note 1) . . . . .	-	-	-	-	-	-	-	1	1	1	-	1	-	1	-	-	-	-	928 953
	Idler Arm to Knuckle Arm Dust, Inner (see note 1) . . . . .	2, 3, 4	-	-	-	-	-	-	-	-	-	-	-	-	-	-	-	-	2	554 524
	Idler Arm to Knuckle Arm Dust, Outer (see note 1) . . . . .	2, 3, 4	-	-	-	-	-	-	-	-	-	-	-	-	-	-	-	-	2	554 523
2-02-51	SPRING, Idler Arm to Knuckle Arm Dust Cover Retainer (see note 1) . . . . .	2, 3, 4	-	-	-	-	-	-	-	-	-	-	-	-	-	-	-	-	2	307 979
2-02-55	PAD, Dust Cover (axle end) (see note 1) . . . . .	-	-	-	-	-	-	-	2	2	2	-	2	-	2	-	-	-	-	928 954
	Idler Arm to Knuckle Arm Dust Cover (see note 1) . . . . .	2, 3, 4	-	-	-	-	-	-	-	-	-	-	-	-	-	-	-	-	2	554 525
2-02-56	RETAINER, Ball Dust Cover (steering gear end) (see note 1) . . . . .	-	-	-	-	-	-	-	1	1	1	-	1	-	1	-	-	-	-	928 955
2-02-57	LOCKWIRE, Ball Dust Cover (see note 1) . . . . .	-	-	-	-	-	-	-	1	1	1	-	1	-	1	-	-	-	-	572 551
<b>STEERING KNUCKLE</b>																				
2-03-3	KNUCKLE, Right (3750 lb. axle) (also specify 1-1263 313 Nut and 1-1262 540 Lockwasher) . . . . .	-	-	-	-	1	1	-	-	-	-	-	-	-	-	-	-	-	-	*1265 368
	Right (4500 lb. and 5000 lb. axle) Left (3750 lb. axle) (also specify 1-1263 313 Nut and 1-1262 540 Lockwasher) . . . . .	-	-	-	-	1	1	1	1	1	1	1	1	1	1	1	1	1	-	1265 382
	Left (4500 lb. and 5000 lb. axle) w/BUSHING, Right (see note 3) . . . . .	1, 2	1	-	-	-	-	-	-	-	-	-	-	-	-	-	-	-	-	666 407
	(see note 4) . . . . .	2, 3, 4	1	-	-	-	-	-	-	-	-	-	-	-	-	-	-	-	-	1271 388
	(see note 3) . . . . .	1, 2	-	1	-	-	-	-	-	-	-	-	-	-	-	-	-	-	-	1188 204
	(see note 4) . . . . .	2, 3, 4	-	1	-	-	-	-	-	-	-	-	-	-	-	-	-	-	-	1271 390
	(see note 3) . . . . .	1, 2	-	-	1	-	-	-	-	-	-	-	-	-	-	-	-	-	-	921 532
	(see note 4) . . . . .	2, 3, 4	-	-	1	-	-	-	-	-	-	-	-	-	-	-	-	-	-	1271 392
	(see note 5) . . . . .	1	-	-	-	-	-	-	-	-	-	-	-	-	-	1	1	1	-	587 016
	(see note 6) . . . . .	1	-	-	-	-	-	-	-	-	-	-	-	-	-	1	1	1	-	1263 644
	(5500 lb., 6000 lb. axle) . . . . .	2, 3, 4	-	-	-	-	-	-	-	-	-	-	-	-	-	1	1	1	1	*1263 644

★ Indicates use as required. Prices and specifications subject to change without notice.  
 □ Indicates parts not listed in any previous parts books.  
 Series No. (1 indicates B-1 Series) (2 indicates B-2 Series) (3 indicates B-3 Series) (4 indicates B-4 Series)  
 Where no Series No. is shown part is for B-1, B-2, B-3 and B-4 Series.  
 \* Indicates change or addition. Page 2-11 April 13, 1953 Supersedes Dec. 31, 1952. Printed in U.S.A.

CODE	PART NAME AND DESCRIPTION	SERIES NO.	MODEL CODES													PART NO.			
			B	C	D	F	G	H & HH	FM	GM	HM & HHM	J	JM	K	KM		R	T	V
STEERING KNUCKLE - Cont'd																			
2-03-3	KNUCKLE, w/BUSHING, Right																		
	(7500 lb. axle)	1, 2	-	-	-	-	-	-	-	-	-	-	-	-	-	1	1	-	589 772
	(8000 lb. axle)	2, 3, 4	-	-	-	-	-	-	-	-	-	-	-	-	-	1	1	1	1267 388
	Left (see note 3)	1, 2	1	-	-	-	-	-	-	-	-	-	-	-	-	-	-	-	666 408
	(see note 4)	2, 3, 4	1	-	-	-	-	-	-	-	-	-	-	-	-	-	-	-	1271 387
	(see note 3)	1, 2	-	1	-	-	-	-	-	-	-	-	-	-	-	-	-	-	1188 205
	(see note 4)	2, 3, 4	-	1	-	-	-	-	-	-	-	-	-	-	-	-	-	-	1271 389
	(see note 3)	1, 2	-	-	1	-	-	-	-	-	-	-	-	-	-	-	-	-	921 531
	(see note 4)	2, 3, 4	-	-	1	-	-	-	-	-	-	-	-	-	-	-	-	-	1271 391
	(see note 5)	1	-	-	-	-	-	-	-	-	-	-	-	-	1	1	1	-	587 017
	(see note 6)	1	-	-	-	-	-	-	-	-	-	-	-	-	1	1	1	-	1263 645
		2, 3, 4	-	-	-	-	-	-	-	-	-	-	-	-	1	1	1	1	1263 645
	(7500 lb. axle)	1, 2	-	-	-	-	-	-	-	-	-	-	-	-	1	1	-	-	589 773
	(8000 lb. axle)	2, 3, 4	-	-	-	-	-	-	-	-	-	-	-	-	1	1	1	-	1267 389
	Plug, expansion (1" diam.)	-	4	4	4	-	-	-	-	-	-	-	-	-	-	-	-	-	103 894
	(1 1/16" diam.)	-	4	4	4	-	-	-	-	-	-	-	-	-	-	-	-	-	117 920
	(3750 lb. axle)	-	-	-	-	4	-	-	-	-	-	-	-	-	-	-	-	-	106 517
	(4500 lb., 5000 lb. axle)	-	-	-	-	4	4	4	4	4	4	4	4	4	4	-	-	-	117 923
	(5500 lb., 6000 lb. axle)	-	-	-	-	-	-	-	-	-	-	-	-	-	4	4	4	4	103 896
	(7500 lb. axle)	1, 2	-	-	-	-	-	-	-	-	-	-	-	-	4	4	-	-	140 802
	(8000 lb. axle)	2, 3, 4	-	-	-	-	-	-	-	-	-	-	-	-	2	2	2	-	103 896
2-03-4	BUSHING, Knuckle																		
	(see note 3)	1, 2	4	4	4	-	-	-	-	-	-	-	-	-	-	-	-	-	633 672
	(see note 4)	2, 3, 4	4	4	4	-	-	-	-	-	-	-	-	-	-	-	-	-	1271 399
	(5500 lb. and 6000 lb. axle)	-	-	-	-	-	-	-	-	-	-	-	-	-	4	4	4	4	570 986
	(7500 lb. axle)	1, 2	-	-	-	-	-	-	-	-	-	-	-	-	-	4	4	-	583 990
	(8000 lb. axle)	2, 3, 4	-	-	-	-	-	-	-	-	-	-	-	-	-	4	4	4	1267 392
	King Pin (8000 lb. axle)	2, 3, 4	-	-	-	-	-	-	-	-	-	-	-	-	-	2	2	2	1267 397
	I-Beam, Upper (3750 lb. axle)	-	-	-	-	2	2	-	-	-	-	-	-	-	-	-	-	-	636 230
	Lower (3750 lb. axle)	-	-	-	-	2	2	-	-	-	-	-	-	-	-	-	-	-	594 777
	Upper (4500 lb. and 5000 lb. axle)	-	-	-	-	2	2	2	2	2	2	2	2	2	2	-	-	-	595 602
	Lower (4500 lb. and 5000 lb. axle)	-	-	-	-	2	2	2	2	2	2	2	2	2	2	-	-	-	595 603
2-03-15	WASHER, Spacing (8000 lb. axle)																		
	(.093)	2, 3, 4	-	-	-	-	-	-	-	-	-	-	-	-	2	2	2	-	1267 403
	(.125)	2, 3, 4	-	-	-	-	-	-	-	-	-	-	-	-	2	2	2	-	1267 404
2-03-17	BEARING, Thrust																		
	(see note 3)	1, 2	2	2	2	-	-	-	-	-	-	-	-	-	-	-	-	-	626 503
	(see note 4)	2, 3, 4	2	2	2	-	-	-	-	-	-	-	-	-	-	-	-	-	618 891
	(3750 lb. axle)	-	-	-	-	2	2	-	-	-	-	-	-	-	-	-	-	-	594 785
	(4500 lb., 5000 lb. axle)	-	-	-	-	2	2	2	2	2	2	2	2	2	2	-	-	-	595 615
	(5500 lb., 6000 lb. axle)	-	-	-	-	-	-	-	-	-	-	-	-	-	2	2	2	2	571 000
	(7500 lb. axle)	1, 2	-	-	-	-	-	-	-	-	-	-	-	-	-	2	2	-	531 031
	(8000 lb. axle)	2, 3, 4	-	-	-	-	-	-	-	-	-	-	-	-	-	2	2	2	1267 402
2-03-18	SHIM, Thrust Bearing (27/32" I.D.)																		
	1 5/16" O.D. (thin)	1, 2	★	★	★	-	-	-	-	-	-	-	-	-	-	-	-	-	626 871
	(5 9/64" I.D., 1 3/8" O.D.) (thin)	2, 3, 4	★	★	★	-	-	-	-	-	-	-	-	-	-	-	-	-	1271 401
	(thin) (3750 lb. axle)	-	-	-	-	★	★	-	-	-	-	-	-	-	-	-	-	-	594 804
	(thick) (3750 lb. axle)	-	-	-	-	★	★	-	-	-	-	-	-	-	-	-	-	-	594 805
	(thin) (4500 lb., 5000 lb. axle)	-	-	-	-	★	★	★	★	★	★	★	★	★	★	-	-	-	595 616
	(thick) (4500 lb., 5000 lb. axle)	-	-	-	-	★	★	★	★	★	★	★	★	★	★	-	-	-	595 617
	(5000 lb. and 6000 lb. axle)	-	-	-	-	-	-	-	-	-	-	-	-	-	★	★	★	★	571 005
	(7500 lb. axle)	1, 2	-	-	-	-	-	-	-	-	-	-	-	-	-	★	★	-	579 252
	(8000 lb. axle)	2, 3, 4	-	-	-	-	-	-	-	-	-	-	-	-	-	★	★	★	1267 405
2-03-21	RETAINER, Thrust Bearing																		
	(5500 lb., 6000 lb. axle)	-	-	-	-	-	-	-	-	-	-	-	-	-	2	2	2	2	571 001
	(7500 lb. axle)	1, 2	-	-	-	-	-	-	-	-	-	-	-	-	2	2	-	-	579 248

★ Indicates use as required.

⊠ Indicates parts not listed in any previous parts books.

Series No. (1 indicates B-1 Series) (2 indicates B-2 Series) (3 indicates B-3 Series) (4 indicates B-4 Series)

Where no Series No. is shown part is for B-1, B-2, B-3 and B-4 Series.

December 31, 1952

Prices and specifications subject to change without notice.

Printed in U.S.A.

CODE	PART NAME AND DESCRIPTION	SERIES NO.	MODEL CODES													PART NO.			
			B	C	D	F	G	H & HH	FM	GM	HM & HHM	J	JM	K	KM		R	T	V
KING PIN																			
2-04-1	KING PIN PACKAGE																		933 436
	(see note 3)	1, 2	1	1	1	-	-	-	-	-	-	-	-	-	-	-	-	-	1321 261
	(see note 4)	2, 3, 4	1	1	1	-	-	-	-	-	-	-	-	-	-	-	-	-	1241 697
	(3750 lb. axle)	-	-	-	-	1	1	1	1	1	1	1	1	1	1	1	1	1	1243 609
	(4500 lb., 5000 lb. axle)	-	-	-	-	1	1	1	1	1	1	1	1	1	1	1	1	1	1243 608
	(5500 lb., 6000 lb. axle)	-	-	-	-	-	-	-	-	-	-	-	-	-	-	-	-	-	1243 614
	(7500 lb. axle)	1, 2	-	-	-	-	-	-	-	-	-	-	-	-	-	1	1	1	1321 105
	(8000 lb. axle)	2, 3, 4	-	-	-	-	-	-	-	-	-	-	-	-	-	1	1	1	642 680
2-04-2	PIN, King (see note 3)	1, 2	2	2	2	-	-	-	-	-	-	-	-	-	-	-	-	-	1271 402
	(see note 4)	2, 3, 4	2	2	2	-	-	-	-	-	-	-	-	-	-	-	-	-	1194 747
	(3750 lb. axle)	-	-	-	-	2	2	-	-	-	-	-	-	-	-	-	-	-	
	(4500 lb., 5000 lb. axle)	-	-	-	-	2	2	2	2	2	2	2	2	2	2	2	-	-	918 965
	(5500 lb., 6000 lb. axle)	-	-	-	-	-	-	-	-	-	-	-	-	-	2	2	2	2	591 522
	(7500 lb. axle)	1, 2	-	-	-	-	-	-	-	-	-	-	-	-	-	2	2	2	583 991
	(8000 lb. axle)	2, 3, 4	-	-	-	-	-	-	-	-	-	-	-	-	-	2	2	2	1267 396
	Fitting, lubricant	-	4	4	4	4	4	4	4	4	4	4	4	4	4	4	4	4	145 433
	Fitting, lubricant, lower	-	-	-	-	-	-	-	-	-	-	-	-	-	2	2	2	2	145 434
	Fitting, lubricant, upper	-	-	-	-	-	-	-	-	-	-	-	-	-	2	2	2	2	145 435
2-04-5	PLUG, Knuckle (8000 lb. axle)	-	-	-	-	-	-	-	-	-	-	-	-	-	2	2	2	2	1267 393
2-04-6	SCREW, Set (1/2"-20 x 1/2")																		
	(see note 4)	2, 3	2	2	2	-	-	-	-	-	-	-	-	-	-	-	-	-	1271 403
	PIN, Lock (3750 lb. axle)	-	-	-	-	2	2	-	-	-	-	-	-	-	-	-	-	-	41 558
	(4500 lb., 5000 lb. axle)	-	-	-	-	4	4	4	4	4	4	4	4	4	4	4	-	-	55 590
	(5500 lb., 6000 lb., 7500 lb. axle)	-	-	-	-	-	-	-	-	-	-	-	-	-	2	2	2	2	924 978
	Nut (4500 lb., 5000 lb. axle)	-	-	-	-	4	4	4	4	4	4	4	4	4	4	4	-	-	120 369
	Washer, lock (4500 lb., 5000 lb. axle)	-	-	-	-	4	4	4	4	4	4	4	4	4	4	4	-	-	120 382
2-04-7	WASHER, Set Screw Spring	-	2	2	2	-	-	-	-	-	-	-	-	-	-	-	-	-	609 297
2-04-8	RETAINER, Dust Washer																		
	(5500 lb., 6000 lb. axle)	-	-	-	-	-	-	-	-	-	-	-	-	-	2	2	2	2	571 003
	(7500 lb. axle)	-	-	-	-	-	-	-	-	-	-	-	-	-	-	2	2	-	579 250
	COVER, King Pin (8000 lb. axle)	-	-	-	-	-	-	-	-	-	-	-	-	-	-	2	2	2	1267 399
2-04-9	WASHER, Dust (5500 lb., 6000 lb. axle)																		
	(7500 lb. axle)	-	-	-	-	-	-	-	-	-	-	-	-	-	2	2	2	2	1191 804
		-	-	-	-	-	-	-	-	-	-	-	-	-	-	2	2	-	1090 883
2-04-10	LOCK, Dust Washer (5500 lb., 6000 lb. axle)																		
	(7500 lb. axle)	-	-	-	-	-	-	-	-	-	-	-	-	-	2	2	2	2	571 004
		-	-	-	-	-	-	-	-	-	-	-	-	-	-	2	2	-	579 251
	RING, Kunckle Plug Retainer (8000 lb. axle)	-	-	-	-	-	-	-	-	-	-	-	-	-	-	2	2	2	1267 394
2-04-11	GASKET, Cover (8000 lb. axle)	-	-	-	-	-	-	-	-	-	-	-	-	-	-	2	2	2	1267 400
2-04-15	SCREW, Cover (5/16"-18 x 1/2") (8000 lb. axle)																		
		-	-	-	-	-	-	-	-	-	-	-	-	-	-	6	6	6	1267 401
2-04-18	LOCK, Set Screw																		
	Bolt, 1/2"-20 x 5/8"	-	2	2	2	-	-	-	-	-	-	-	-	-	-	-	-	-	609 298
		-	2	2	2	-	-	-	-	-	-	-	-	-	-	-	-	-	123 581
2-04-24	NUT, King Pin (8000 lb. axle)																		
	Pin, cotter	-	-	-	-	-	-	-	-	-	-	-	-	-	-	2	2	2	1267 398
		-	-	-	-	-	-	-	-	-	-	-	-	-	-	2	2	2	119 209
STEERING KNUCKLE ARM																			
2-05-4	ARM, Right																		1194 046
		-	1	-	-	-	-	-	-	-	-	-	-	-	-	-	-	-	1194 048

★ Indicates use as required.

☐ Indicates parts not listed in any previous parts books.

Series No. (1 indicates B-1 Series) (2 indicates B-2 Series) (3 indicates B-3 Series) (4 indicates B-4 Series)

Where no Series No. is shown part is for B-1, B-2, B-3 and B-4 Series.

Prices and specifications subject to change without notice.

CODE	PART NAME AND DESCRIPTION	SERIES NO.	MODEL CODES													PART NO.				
			B	C	D	F	G	H & HH	FM	GM	HM & HHM	J	JM	K	KM		R	T	V	Y
STEERING KNUCKLE ARM - Cont'd																				
2-05-4	ARM, Right (3750 lb. axle) (up to serial No. 80366941 except 80366333 thru 80366368, 80366532 thru 80366571 and 80366641 thru 80366680) . . . . .	1	-	-	-	1	-	-	-	-	-	-	-	-	-	-	-	-	-	1194 161
	(3750 lb axle) (after serial No. 80366941 also 80366333 thru 80366368, 80366532 thru 80366571 and 80366641 thru 80366680) . . . . .	1	-	-	-	1	-	-	-	-	-	-	-	-	-	-	-	-	-	1265 370
	(3750 lb. axle) . . . . .	2, 3, 4	-	-	-	1	1	-	-	-	-	-	-	-	-	-	-	-	-	1265 370
	(4500 lb. and 5000 lb. axle) (B-1-F, B-1-H, B-1-HH up to serial No. 80364825. B-1-J up to serial No. 82558707. B-1-R up to serial No. 81256925) . . . . .	1	-	-	-	1	-	1	-	-	-	1	-	1	-	1	-	-	-	1194 930
	(4500 lb. and 5000 lb. axle) (B-1-F, B-1-H, B-1-HH after serial No. 80364825. B-1-J after serial No. 82558707. B-1-R after serial No. 81256925) . . . . .	1	-	-	-	1	-	1	-	-	-	1	-	1	-	1	-	-	-	1265 384
	(4500 lb., 5000 lb. axle) . . . . .	2, 3, 4	-	-	-	1	1	1	-	-	-	1	-	1	-	1	-	-	-	1265 384
	(see note 1) . . . . .	1	-	-	-	-	-	-	1	-	1	-	1	-	1	-	-	-	-	1196 720
	(see note 1) . . . . .	2, 3, 4	-	-	-	-	-	-	1	1	-	1	-	1	-	-	-	-	-	1265 916
	(5500 lb., 6000 lb. axle) (see note 5) . . . . .	1	-	-	-	-	-	-	-	-	-	-	-	-	1	1	1	-	-	1196 840
	(5500 lb., 6000 lb. axle) (see note 6) . . . . .	1	-	-	-	-	-	-	-	-	-	-	-	-	-	1	1	-	-	1263 648
	(5500 lb., 6000 lb. axle) . . . . .	2, 3, 4	-	-	-	-	-	-	-	-	-	-	-	-	1	1	1	-	-	1263 648
	(6000 lb. axle) . . . . .	2, 3	-	-	-	-	-	-	-	-	-	-	-	-	-	-	-	-	1	1269 894
	(7500 lb. axle) . . . . .	1, 2	-	-	-	-	-	-	-	-	-	-	-	-	-	1	1	-	-	1260 914
	(8000 lb. axle) . . . . .	2, 3, 4	-	-	-	-	-	-	-	-	-	-	-	-	-	1	1	-	-	1268 830
	(8000 lb. axle) . . . . .	2, 3, 4	-	-	-	-	-	-	-	-	-	-	-	-	-	-	-	1	-	1267 479
	Tie Rod, Right (8000 lb. axle) . . . . .	2, 3, 4	-	-	-	-	-	-	-	-	-	-	-	-	-	-	-	1	-	1267 444
	ARM, Left . . . . .	-	1	-	-	-	-	-	-	-	-	-	-	-	-	-	-	-	-	1194 047
	(3750 lb. axle) (up to serial No. 80366941 except 80366333 thru 80366368, 80366532 thru 80366571 and 80366641 thru 80366680) . . . . .	1	-	-	-	1	-	-	-	-	-	-	-	-	-	-	-	-	-	1194 049
	(3750 lb. axle) (after serial No. 80366941 also 80366333 thru 80366368, 80366532 thru 80366571 and 80366641 thru 80366680) . . . . .	1	-	-	-	1	-	-	-	-	-	-	-	-	-	-	-	-	-	1194 403
	(3750 lb. axle) (after serial No. 80366941 also 80366333 thru 80366368, 80366532 thru 80366571 and 80366641 thru 80366680) . . . . .	1	-	-	-	1	-	-	-	-	-	-	-	-	-	-	-	-	-	1265 377
	(3750 lb. axle) . . . . .	2, 3, 4	-	-	-	1	1	-	-	-	-	-	-	-	-	-	-	-	-	1265 377
	(4500 lb., 5000 lb. axle) (B-1-F, B-1-H, B-1-HH up to serial No. 80364825. B-1-J up to serial No. 82558707. B-1-R up to serial No. 81256925) . . . . .	1	-	-	-	1	-	1	-	-	-	1	-	1	-	1	-	-	-	1194 931
	(4500 lb., 5000 lb. axle) (B-1-F, B-1-H, B-1-HH after serial No. 80364825. B-1-J after serial No. 82558707, B-1-R after serial No. 81256925) . . . . .	1	-	-	-	1	-	1	-	-	-	1	-	1	-	1	-	-	-	1265 385
	(4500 lb., 5000 lb. axle) . . . . .	2, 3, 4	-	-	-	1	1	1	-	-	-	1	-	1	-	1	-	-	-	1265 385

★Indicates use as required.

☐Indicates parts not listed in any previous parts books.

Series No. (1 indicates B-1 Series) (2 indicates B-2 Series) (3 indicates B-3 Series) (4 indicates B-4 Series)

Where no Series No. is shown part is for B-1, B-2, B-3 and B-4 Series.

December 31, 1952

Prices and specifications subject to change without notice.

CODE	PART NAME AND DESCRIPTION	SERIES NO.	MODEL CODES														PART NO.			
			B	C	D	F	G	H & HH	FM	GM	HM & HHM	J	JM	K	KM	R		T	V	Y
STEERING KNUCKLE ARM - Cont'd																				
2-05-4	ARM, Left (see note 1)	1								1		1		1		1				1196 719
	(see note 1)	2, 3, 4									1	1		1		1				1265 917
	(5500 lb., 6000 lb. axle) (see note 5)	1														1	1	1		1196 841
	(5500 lb., 6000 lb. axle) (see note 6)	1														1	1	1		1263 649
	(5500 lb., 6000 lb. axle)	2, 3, 4														1	1	1		1263 649
	(6000 lb. axle)	2, 3																	1	1269 895
	(7500 lb. axle)	1, 2															1	1		1260 915
	(8000 lb. axle)	2, 3, 4															1	1		1268 829
	Tie Rod, Left (8000 lb. axle)	2, 3, 4																	1	1267 445
	Key, Woodruff (3750 lb. axle)					2	2													120 051
	Key, Woodruff (4500 lb. 5000 lb. axle)					2	2	2	2	2	2	2	2	2	2	2				178 879
	Nut (4500 lb., 5000 lb. axle)					2	2	2	2	2	2	2	2	2	2	2				125 298
	Pin, cotter (4500 lb., 5000 lb. axle)					2	2	2	2	2	2	2	2	2	2	2				137 298
	Pin, cotter (5500 lb., 6000 lb. axle)															2	2	2	2	103 390
2-05-5	KEY (5500 lb., 6000 lb. axle) (see note 5)	1														2	2	2		570 993
	(5500 lb., 6000 lb. axle) (see note 6)	1														2	2	2		554 100
	(5500 lb., 6000 lb., 8000 lb. axle)	2, 3, 4														2	2	2	*	554 100
2-05-6	NUT (4500 lb., 5000 lb. axle) (B-1-F, B-1H, B-1-HH up to serial No. 80366941 except 80366333 thru 80366368, 80366532 thru 80366571 and 80366641 thru 80366680. B-1-J up to serial No. 82558707)	1				2		2	2		2	2	2	2	2					570 992
	(5000 lb., 5500 lb., 6000 lb. axle) (see note 5)	1														2	2	2		570 992
	(5000 lb., 5500 lb., 6000 lb. axle) (see note 6)	1														2	2	2		579 244
	(5500 lb., 6000 lb., 7500 lb. and 8000 lb. axle)	2, 3, 4														2	2	2	*	579 244
	Pin, cotter (use with 570992 nut)					2		2	2	2	2	2	2	2	2	2				137 254
2-05-7	SCREW, Stop (1/2"-20 x 1 21/32")		2	2	2															603 342
	(7/16"-14 x 1 5/8") (4500 lb., 5000 lb. axle)					2	2	2				2		2		2				1091 520
	(7/16"-14 x 1 3/4") (see note 1)								2	2	2		2		2					1196 842
	(7/16"-14 x 1 1/2") (5500 lb., 6000 lb. axle)															2	2	2	2	570 988
	(9/16"-12 x 1 3/4") (7500 lb. axle)																2	2		579 184
	(9/16"-18 x 2 1/8")																2	2	2	1267 395
	Nut	1	2	2	2															124 834
	Nut	2, 3, 4	2	2	2															120 371
	Nut (4500 lb., 5000 lb. axle)					2	2	2	2	2	2	2	2	2	2					124 834
	Nut (7500 lb. axle)																2	2		124 583
	Nut (8000 lb. axle)																2	2	2	124 634
2-05-9	NUT, Stop Screw Check (5500 lb., 6000 lb. axle)															2	2	2	2	570 989

\* Indicates use as required.

∅ Indicates parts not listed in any previous parts books.

Series No. (1 indicates B-1 Series) (2 indicates B-2 Series) (3 indicates B-3 Series) (4 indicates B-4 Series)

Where no Series No. is shown part is for B-1, B-2, B-3 and B-4 Series.

Prices and specifications subject to change without notice.

CODE	PART NAME AND DESCRIPTION	SERIES NO.	MODEL CODES													PART NO.			
			B	C	D	F	G	H & HH	FM	GM	HM & HHM	J	JM	K	KM		R	T	V
<b>STEERING KNUCKLE ARM - Cont'd</b>																			
2-05-13	BALL (6000 lb. axle)	2, 3	-	-	-	-	-	-	-	-	-	-	-	-	-	-	-	1	1090 605
	(8000 lb. axle)	2, 3, 4	-	-	-	-	-	-	-	-	-	-	-	-	-	-	-	1	1267 585
	Nut (6000 lb. axle)	2, 3	-	-	-	-	-	-	-	-	-	-	-	-	-	-	-	★	128 180
	Pin, cotter	-	-	-	-	-	-	-	-	-	-	-	-	-	-	-	-	1	119 209
2-05-14	NUT, Ball (6000 lb. axle)	2, 3	-	-	-	-	-	-	-	-	-	-	-	-	-	-	-	1	1270 961
<b>STEERING TIE ROD</b>																			
2-07-1	END PACKAGE (left hand thread)	-	1	1	1	-	-	-	-	-	-	-	-	-	-	-	-	-	1311 175
	(right hand thread)	-	1	1	1	-	-	-	-	-	-	-	-	-	-	-	-	-	1311 176
	(left hand thread)																		
	(3750 lb. axle)	1, 2	-	-	-	1	1	-	-	-	-	-	-	-	-	-	-	-	1238 404
	(right hand thread)																		
	(3750 lb. axle)	1, 2	-	-	-	1	1	-	-	-	-	-	-	-	-	-	-	-	1238 405
	(left hand thread)																		
	(3750 lb. axle)	3, 4	-	-	-	1	1	-	-	-	-	-	-	-	-	-	-	-	1311 175
	(right hand thread)																		
	(3750 lb. axle)	3, 4	-	-	-	1	1	-	-	-	-	-	-	-	-	-	-	-	1311 176
	(left hand thread)																		
	(4500 lb. and 5000 lb. axle)	-	-	-	-	1	1	1	1	1	1	1	1	1	1	-	-	-	1238 394
	(right hand thread)																		
	(4500 lb. and 5000 lb. axle)	-	-	-	-	1	1	1	1	1	1	1	1	1	1	-	-	-	1238 395
	(left hand thread)																		
	(5500 lb. and 6000 lb. axle)	1	-	-	-	-	-	-	-	-	-	-	-	-	1	1	1	-	951 316
	(see note 5)																		
	(left hand thread)																		
	(5500 lb. and 6000 lb. axle)	1	-	-	-	-	-	-	-	-	-	-	-	-	1	1	1	-	1243 756
	(see note 6)																		
	(left hand thread)																		
	(5500 lb. and 6000 lb. axle)	2, 3, 4	-	-	-	-	-	-	-	-	-	-	-	-	1	1	1	1	1243 756
	(right hand thread)																		
	(5500 lb. and 6000 lb. axle)	1	-	-	-	-	-	-	-	-	-	-	-	-	1	1	1	-	951 315
	(see note 5)																		
	(right hand thread)																		
	(5500 lb., 6000 lb. axle)	1	-	-	-	-	-	-	-	-	-	-	-	-	1	1	1	-	1238 406
	(see note 6)																		
	(right hand thread)																		
	(5500 lb., 6000 lb. axle)	2, 3, 4	-	-	-	-	-	-	-	-	-	-	-	-	1	1	1	1	1238 406
	(left hand thread)																		
	(8000 lb. axle)	2, 3, 4	-	-	-	-	-	-	-	-	-	-	-	-	1	1	1	1	1321 102
	(right hand thread)																		
	(8000 lb. axle)	2, 3, 4	-	-	-	-	-	-	-	-	-	-	-	-	1	1	1	1	1321 101
2-07-2	ROD	-	1	1	1	-	-	-	-	-	-	-	-	-	-	-	-	-	1271 637
	(3750 lb. axle)	1, 2	-	-	-	1	1	-	-	-	-	-	-	-	-	-	-	-	1194 499
	(3750 lb. axle)	3, 4	-	-	-	1	1	-	-	-	-	-	-	-	-	-	-	-	1274 428
	(4500 lb. and 5000 lb. axle)	-	-	-	-	1	1	1	1	1	1	1	1	1	-	-	-	-	1194 862
	(5500 lb. and 6000 lb. axle)																		
	(see note 5)	1	-	-	-	-	-	-	-	-	-	-	-	-	1	1	1	-	1260 661
	(5500 lb. and 6000 lb. axle)																		
	(see note 6)	1	-	-	-	-	-	-	-	-	-	-	-	-	1	1	1	-	1263 660
	(7500 lb. axle)	-	-	-	-	-	-	-	-	-	-	-	-	-	1	1	-	-	1260 912
	(6000 lb. axle)	2, 3	-	-	-	-	-	-	-	-	-	-	-	-	-	-	-	1	1269 897
	(8000 lb. axle)	2, 3, 4	-	-	-	-	-	-	-	-	-	-	-	-	-	-	-	1	1267 451

★ Indicates use as required.

Prices and specifications subject to change without notice.

□ Indicates parts not listed in any previous parts books.

Series No. (1 indicates B-1 Series) (2 indicates B-2 Series) (3 indicates B-3 Series) (4 indicates B-4 Series)

Where no Series No. is shown part is for B-1, B-2, B-3 and B-4 Series.

Printed in U.S.A.



CODE	PART NAME AND DESCRIPTION	SERIES NO.	MODEL CODES														PART NO.				
			B	C	D	F	G	H & HH	FM	GM	HM & HHM	J	JM	K	KM	R		T	V	Y	
STEERING TIE ROD - Cont'd																					
2-07-2	ROD, w/CLAMP (8000 lb. axle) . . .	-	-	-	-	-	-	-	-	-	-	-	-	-	-	-	1	1	-	1273 533	
2-07-4	BALL (not serviced separately-serviced in end package) . . . . .	-	2	2	2	2	2	2	2	2	2	2	2	2	2	2	2	2	2	----	----
2-07-5	NUT, Ball . . . . .	3	2	2	2	2	2	2	2	-	-	-	-	-	-	-	-	-	-	570 995	
	(see note 1) . . . . .	1	-	-	-	-	-	2	2	-	-	-	-	-	-	-	-	-	-	570 995	
	(see note 5) . . . . .	1	-	-	-	-	-	-	-	-	-	-	-	-	-	-	2	2	2	570 995	
	(4500 lb., 5000 lb., 5500 lb., 6000 lb. axle) . . . . .	2, 3, 4	-	-	-	-	-	-	-	2	2	2	2	2	2	2	2	2	2	1263 946	
	(8000 lb. axle) . . . . .	-	-	-	-	-	-	-	-	-	-	-	-	-	-	-	2	2	2	1267 456	
	Pin, cotter . . . . .	-	2	2	2	2	2	2	-	-	-	-	-	-	-	-	-	-	-	108 636	
	Pin, cotter . . . . .	-	-	-	-	-	-	-	2	2	2	2	2	2	2	2	2	2	-	119 209	
2-07-6	SEAT, End Ball (8000 lb. axle) . . .	-	-	-	-	-	-	-	-	-	-	-	-	-	-	-	2	2	2	1267 458	
2-07-10	WASHER, Ball Dust Cover (5500 lb. and 6000 lb. axle) (see note 5) . . . . .	1	-	-	-	-	-	-	-	-	-	-	-	-	-	-	4	4	4	597 789	
	End Dust Cover (7500 lb. axle) . . . . .	1, 2	-	-	-	-	-	-	-	-	-	-	-	-	-	-	2	2	-	912 541	
2-07-11	SPRING, End (8000 lb. axle) . . . . .	2, 3, 4	-	-	-	-	-	-	-	-	-	-	-	-	-	-	2	2	2	1267 457	
2-07-16	RETAINER, End Grease (8000 lb. axle) . . . . .	2, 3, 4	-	-	-	-	-	-	-	-	-	-	-	-	-	-	-	2	2	2	1267 459
2-07-17	PLUG, End (8000 lb. axle) . . . . .	2, 3, 4	-	-	-	-	-	-	-	-	-	-	-	-	-	-	2	2	2	1267 460	
2-07-18	RING, End Plug Retainer (8000 lb. axle) . . . . .	2, 3, 4	-	-	-	-	-	-	-	-	-	-	-	-	-	-	2	2	2	1267 461	
2-07-26	END (right hand thread) (7500 lb. axle) . . . . .	1, 2	-	-	-	-	-	-	-	-	-	-	-	-	-	-	1	1	-	912 526	
	(left hand thread) (7500 lb. axle) . . . . .	1, 2	-	-	-	-	-	-	-	-	-	-	-	-	-	-	1	1	-	912 527	
	Fitting, lubricant . . . . .	-	-	-	-	-	-	-	-	-	-	-	-	-	-	-	2	2	-	145 433	
	Nut . . . . .	-	-	-	-	-	-	-	-	-	-	-	-	-	-	-	2	2	-	128 180	
	Pin, cotter . . . . .	-	-	-	-	-	-	-	-	-	-	-	-	-	-	-	2	2	-	119 209	
2-07-35	SPRING, Dust Cover (5500 lb., 6000 lb. axle) (see note 5) . . . . .	1	-	-	-	-	-	-	-	-	-	-	-	-	-	-	2	2	2	571 021	
	(7500 lb. axle) . . . . .	1, 2	-	-	-	-	-	-	-	-	-	-	-	-	-	-	2	2	-	554 103	
2-07-36	SEAL, Ball Dust (3750 lb. axle) . . . . .	-	2	2	2	-	2	-	-	-	-	-	-	-	-	-	-	-	-	1261 187	
	(4500 lb., 5000 lb. axle) . . . . .	-	-	-	-	2	2	2	2	2	2	2	2	2	2	2	-	-	-	1194 871	
	(8000 lb. axle) . . . . .	2, 3, 4	-	-	-	-	-	-	-	-	-	-	-	-	-	-	2	2	2	1196 869	
	COVER, Ball Dust (4500 lb., 5000 lb. axle) . . . . .	-	-	-	-	2	2	2	2	2	2	2	2	2	2	2	-	-	-	1194 871	
	(5500 lb., 6000 lb. axle) (see note 5) . . . . .	1	-	-	-	-	-	-	-	-	-	-	-	-	-	-	2	2	2	597 788	
	(5500 lb., 6000 lb. axle) (see note 6) . . . . .	1	-	-	-	-	-	-	-	-	-	-	-	-	-	-	2	2	2	1194 860	
	(5500 lb., 6000 lb. axle) . . . . .	2, 3, 4	-	-	-	-	-	-	-	-	-	-	-	-	-	-	2	2	2	1194 860	
	(7500 lb. axle) . . . . .	1, 2	-	-	-	-	-	-	-	-	-	-	-	-	-	-	2	2	-	912 540	
2-07-41	RETAINER, Dust Cover (7500 lb. axle) . . . . .	1, 2	-	-	-	-	-	-	-	-	-	-	-	-	-	-	2	2	-	554 102	
2-07-50	CLAMP, End (3750 lb. axle) . . . . .	1, 2	2	2	2	-	2	-	-	-	-	-	-	-	-	-	-	-	-	666 246	
	(for F and G use on 3750 lb. axle) . . . . .	1, 2	-	-	-	2	2	-	-	-	-	-	-	-	-	-	-	-	-	1194 500	
	(4500 lb. axle) . . . . .	3, 4	2	2	2	2	2	-	-	-	-	-	-	-	-	-	-	-	-	1272 954	
	(5500 lb., 6000 lb. axle) (see note 6) . . . . .	1	-	-	-	-	-	-	-	-	-	-	-	-	-	-	2	2	2	1194 863	

★ Indicates use as required.

Prices and specifications subject to change without notice.

☐ Indicates parts not listed in any previous parts books.

Series No. (1 indicates B-1 Series) (2 indicates B-2 Series) (3 indicates B-3 Series) (4 indicates B-4 Series)

Where no Series No. is shown part is for B-1, B-2, B-3 and B-4 Series.

CODE	PART NAME AND DESCRIPTION	SERIES NO.	MODEL CODES													PART NO.				
			B	C	D	F	G	H & HH	FM	GM	HM & HHM	J	JM	K	KM		R	T	V	Y
STEERING TIE ROD - Cont'd																				
2-07-50	CLAMP, End (7500 lb. axle) . . . . .	1, 2	-	-	-	-	-	-	-	-	-	-	-	-	-	-	2	2	-	1195 896
	(5500 lb., 6000 lb. axle) . . . . .	2, 3, 4	-	-	-	-	-	-	-	-	-	-	-	-	-	-	2	2	2	1195 896
	(8000 lb. axle) . . . . .	2, 3, 4	-	-	-	-	-	-	-	-	-	-	-	-	-	-	2	2	2	1267 462
	Bolt, 5/16"-24 x 1 1/2" . . . . .	-	2	2	2	-	-	-	-	-	-	-	-	-	-	-	-	-	-	123 785
	5/16"-18 x 2 3/4" . . . . .	-	-	-	-	-	-	-	-	-	-	-	-	-	-	-	2	2	2	124 265
	5/8"-18 x 2 1/2" . . . . .	-	-	-	-	-	-	-	-	-	-	-	-	-	-	-	4	4	-	124 256
	Nut . . . . .	-	2	2	2	-	-	-	-	-	-	-	-	-	-	-	-	-	-	120 368
	Nut . . . . .	-	-	-	-	-	-	-	-	-	-	-	-	-	-	-	2	2	2	121 358
	Washer, lock . . . . .	-	2	2	2	-	-	-	-	-	-	-	-	-	-	-	-	-	-	120 214
	Washer, lock . . . . .	-	-	-	-	-	-	-	-	-	-	-	-	-	-	-	2	2	2	121 574
2-07-51	BOLT, End Clamp (5/16"-24 x 1 3/8") . . . . .	3, 4	2	2	2	-	-	-	-	-	-	-	-	-	-	-	-	-	-	666 248
	(3/8"-24 x 1 5/8") (3750 lb. axle) . . . . .	-	-	-	-	2	2	-	-	-	-	-	-	-	-	-	-	-	-	1194 840
	(7/16"-20 x 1 3/4") (4500 lb., 5000 lb. axle) . . . . .	-	-	-	-	2	2	2	2	2	2	2	2	2	2	-	-	-	-	1194 864
	(7/16" -20 x 1 7/8") (5000 lb., 5500 lb., 6000 lb. axle) . . . . .	2, 3, 4	-	-	-	2	-	-	-	-	-	-	-	-	-	2	-	-	-	571 018
	(7/16" -20 x 1 7/8") (5500 lb., 6000 lb. axle) (see note 5) . . . . .	1	-	-	-	-	-	-	-	-	-	-	-	-	-	2	2	2	-	571 018
	(1/2"-20 x 2 1/4") (5500 lb., 6000 lb. axle) (see note 6) . . . . .	1	-	-	-	-	-	-	-	-	-	-	-	-	-	2	2	2	-	1195 897
	(1/2"-20 x 2 1/4") (5500 lb. and 6000 lb. axle) . . . . .	2, 3, 4	-	-	-	-	-	-	-	-	-	-	-	-	-	2	2	2	2	1195 897
	Nut . . . . .	-	-	-	-	2	2	-	-	-	-	-	-	-	-	-	-	-	-	120 369
	Nut . . . . .	-	-	-	-	2	2	2	2	2	2	2	2	2	2	2	2	2	-	120 370
	Nut . . . . .	-	-	-	-	2	2	2	2	2	2	2	2	2	2	2	2	2	-	120 371
	Washer, lock . . . . .	-	-	-	-	2	2	-	-	-	-	-	-	-	-	-	-	-	-	120 382
	Washer, lock . . . . .	-	-	-	-	2	2	2	2	2	2	2	2	2	2	2	2	2	-	120 383
	Washer, lock . . . . .	-	-	-	-	2	2	2	2	2	2	2	2	2	2	2	2	2	-	120 384

NOTES

---

---

---

---

---

---

---

---

---

---

---

---

---

---

---

---

---

---

---

---

---

---

---

---