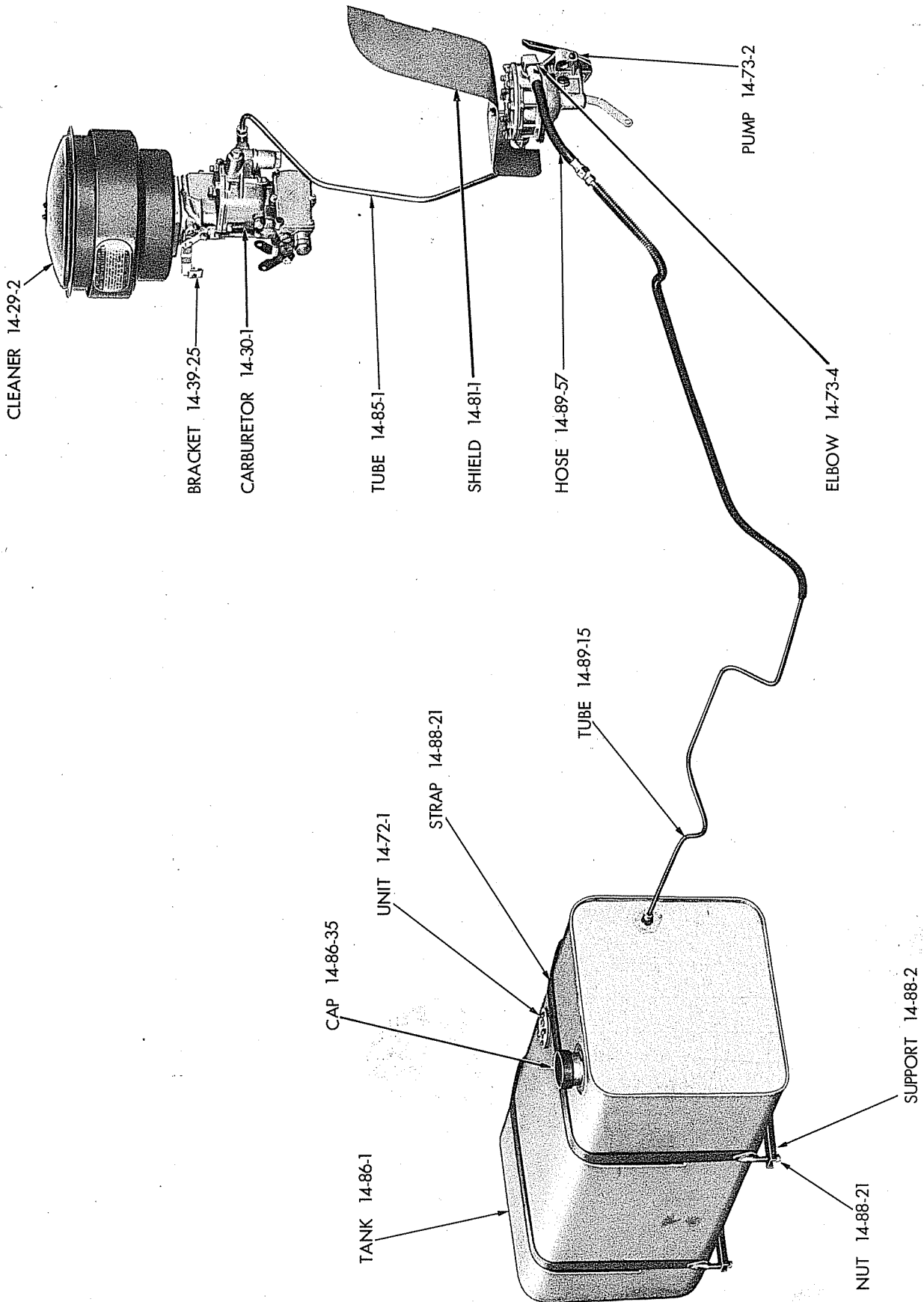


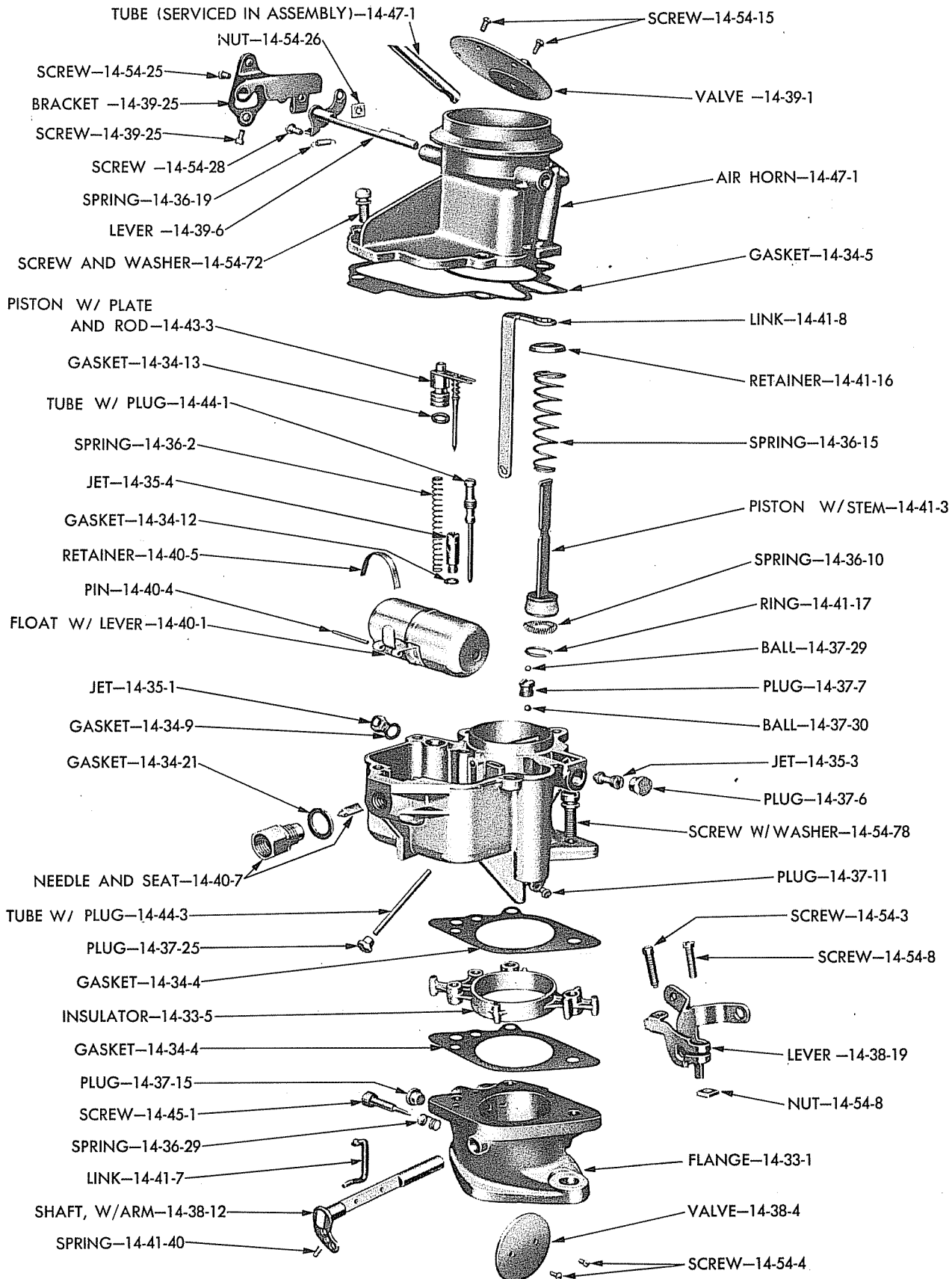
GROUP 14 - FUEL



19x6086

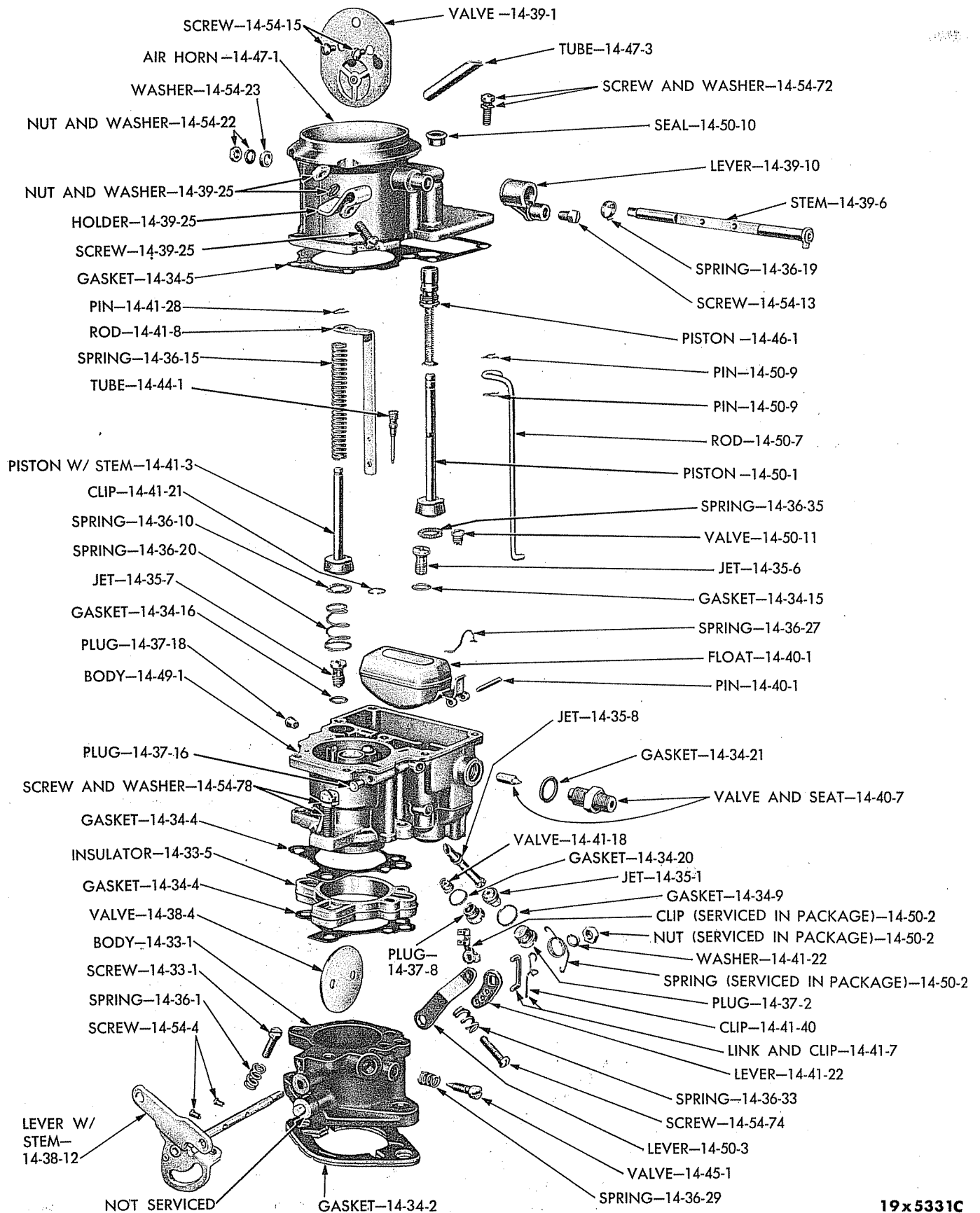
FUEL SYSTEM

Plate 14-1



19x6119

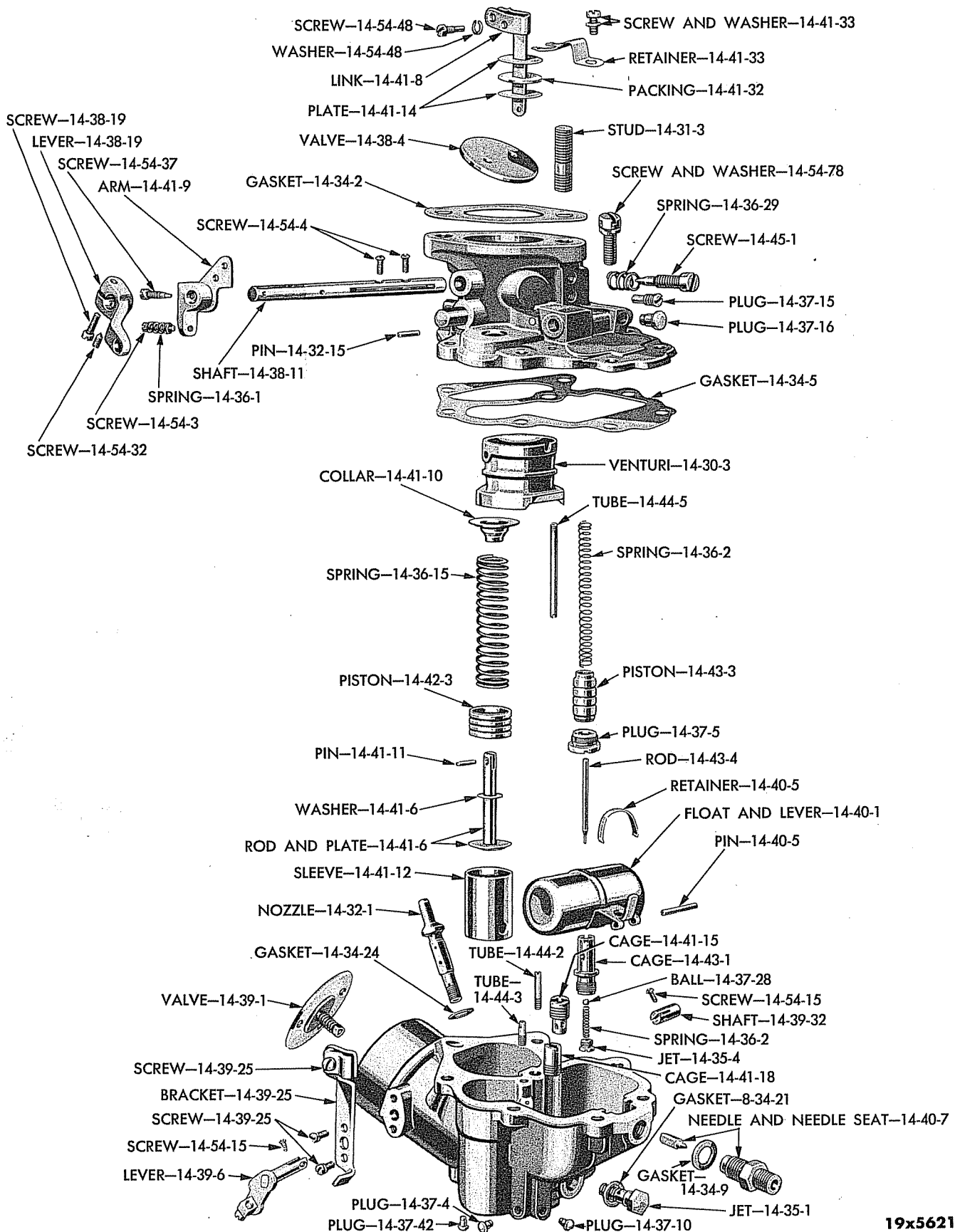
Plate 14-2 CARBURETOR (TYPICAL OF 1317 256, 1317 258 and 1317 259) (EXPLODED VIEW)



19x5331C

Plate 14-3

CARBURETOR (TYPICAL OF 1317 260 and 1317 261) (EXPLODED VIEW)



19x5621

Plate 14-4

CARBURETOR (UP DRAFT) (CAB-OVER-ENGINE) (EXPLODED VIEW)

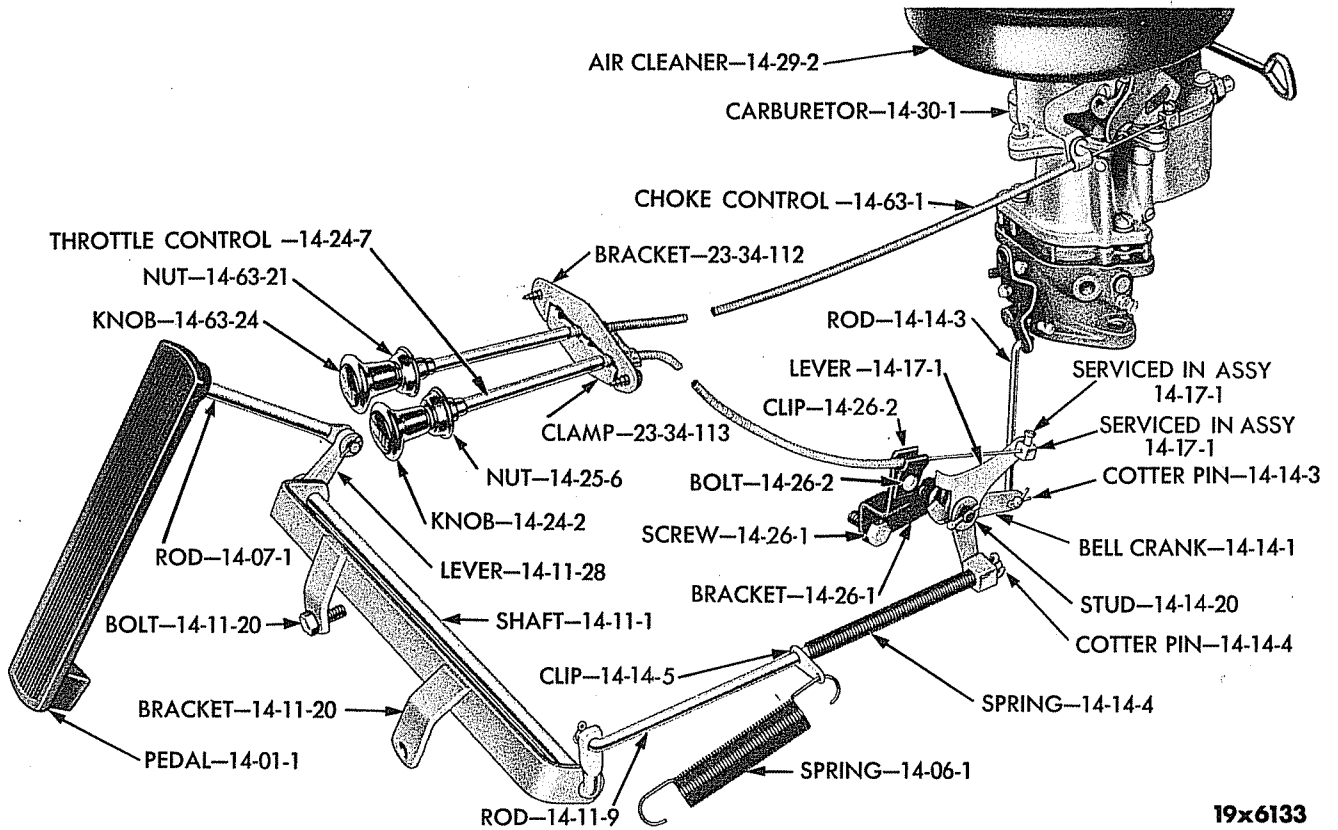


Plate 14-5

THROTTLE CONTROL LINKAGE

19x6133

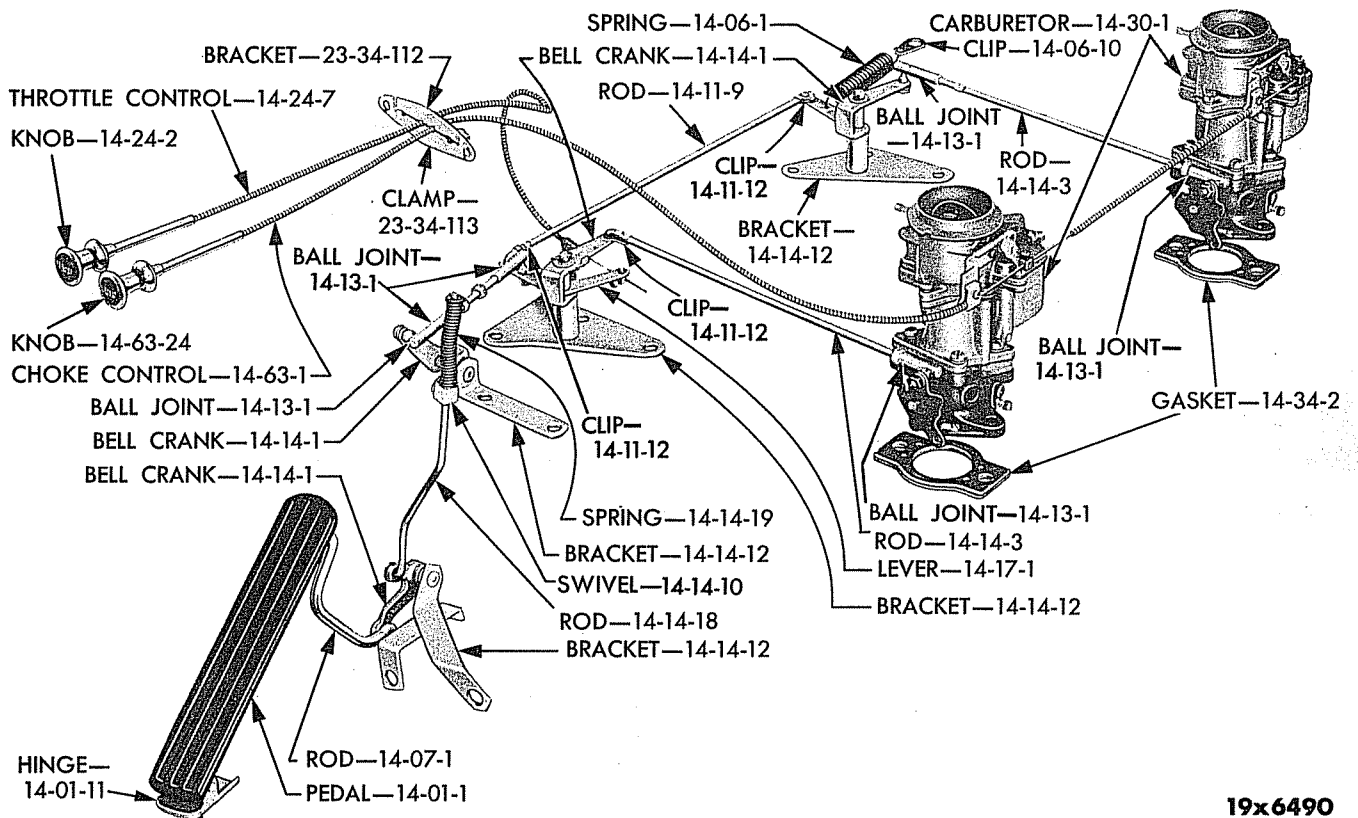


Plate 14-6

DUAL CARBURETOR THROTTLE CONTROL LINKAGE (EXCEPT B-4-K)

19x6490

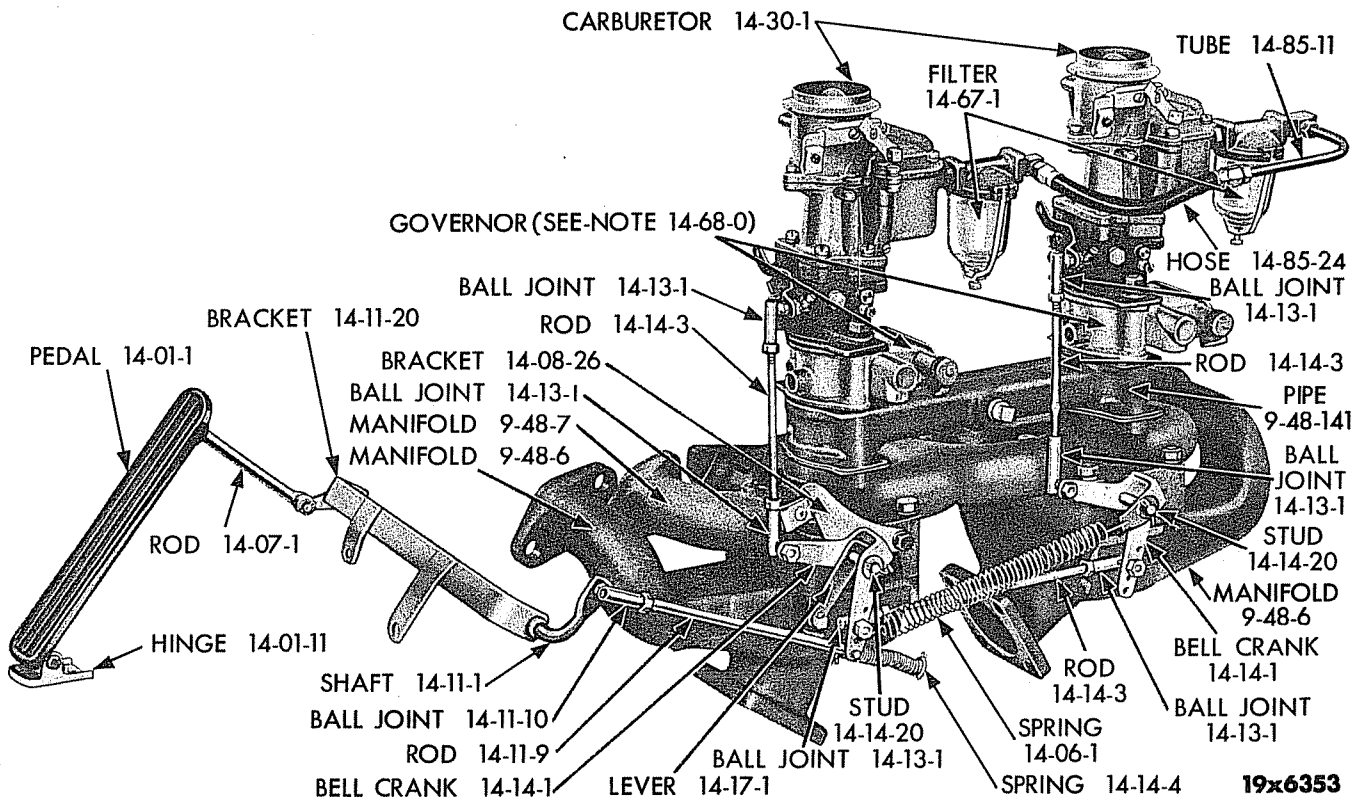


Plate 14-7

DUAL CARBURETOR THROTTLE CONTROL LINKAGE (B-4-K)

NOTES

PARTS NECESSARY TO INSTALL DUAL CARBURETORS ON B4Y

2 - 1311825 Adapter	8 - 120369 Nut
1 - 1142731 Manifold	9 - 120368 Nut
1 - 1142732 Manifold	26 - 151497 Nut
1 - 1484043 Manifold	1 - 1267473 Pipe
1 - 1484044 Manifold	1 - 1267474 Pipe
8 - 1311826 Stud	1 - 1612803 Bell Crank
16 - 120369 Nut	1 - 1268340 Bell Crank
1 - 1142962 Pipe	3 - 932143 Stop
2 - 1312132 Gasket	3 - 988098 Screw
1 - 1321111 Gasket Set	2 - 562221 Gasket
2 - 180122 Bolt	1 - 1267191 Spring
2 - 120382 Washer	1 - 143483 Tee
2 - 1532831 Carb.	1 - 1268350 Bracket
2 - 952062 Gasket	1 - 1268354 Rod
2 - 1484927 Rod	1 - 1612805 Rod
2 - 1401687 Ball Joint	2 - 1673774 Cleaner
4 - 1401687 Ball Joint	
1 - 1502587 Bell Crank	
1 - 1502579 Bell Crank	
1 - 1268341 Bracket	
1 - 1502576 Bracket	
1 - 1502578 Bracket	
1 - 1268684 Clip	
1 - 1088169 Spring	
1 - 1267131 Lever	
1 - 1502582 Rod	
1 - 1268346 Spring	
1 - 1502585 Bell Crank	
1 - 1261312 Swivel	
1 - 666790 Clip	
2 - 667774 Clip	
1 - 639174 Clip	
1 - 1142967 Packing	
1 - 1142965 Gasket	
2 - 1142966 Gland	
2 - 683051 Gasket	
1 - 137406 Nipple	

CODE	PART NAME AND DESCRIPTION	SERIES NO.	MODEL CODES													PART NO.
			B	C	D	F	G	H & HH	FM	GM	HM & HHM	J	JM	K	KM	

Note: Parts indicated by single dagger (†) are used with single carburetion systems.

Note: Parts indicated by double dagger(‡) are used with dual carburetion systems.

ACCELERATOR PEDAL

14-01-1	PEDAL (black)	-	1	1	1	1	1	1	1	1	1	1	1	1	1	-	-	-	-	451 964
	(black)	-	-	-	-	-	-	-	-	-	-	-	-	-	-	1	1	1	1	1161 776
14-01-8	CLIP, Hinge Pin	-	-	-	-	-	-	-	-	-	-	-	-	-	-	1	1	1	1	1162 194
	Bolt, 1/4" -28 x 1"	-	-	-	-	-	-	-	-	-	-	-	-	-	-	2	2	2	2	123 461
14-01-11	HINGE (to toe board)	-	-	-	-	-	-	-	-	-	-	-	-	-	-	1	1	1	1	1279 226
	Nut	-	-	-	-	-	-	-	-	-	-	-	-	-	-	2	2	2	2	120 367
14-01-12	PIN, Hinge	-	-	-	-	-	-	-	-	-	-	-	-	-	-	1	1	1	1	1162 193
14-01-14	WASHER, Hinge Screw Lock	-	-	-	-	-	-	-	-	-	-	-	-	-	-	2	2	2	2	1093 270
14-01-15	BRACKET, Support (Flat Face and Windshield Cowl)	-	-	-	-	-	-	-	-	-	-	-	-	-	-	-	-	-	-	-
	B-2-B after serial No. 82163952,	-	-	-	-	-	-	-	-	-	-	-	-	-	-	-	-	-	-	-
	B-2-C after serial No. 83346878,	-	-	-	-	-	-	-	-	-	-	-	-	-	-	-	-	-	-	-
	B-2-D after serial No. 81285203,	-	-	-	-	-	-	-	-	-	-	-	-	-	-	-	-	-	-	-
	B-2-F after serial No. 80383384,	-	-	-	-	-	-	-	-	-	-	-	-	-	-	-	-	-	-	-
	B-2-G after serial No. 80070498,	-	-	-	-	-	-	-	-	-	-	-	-	-	-	-	-	-	-	-
	B-2-H and B-2-HH after serial	-	-	-	-	-	-	-	-	-	-	-	-	-	-	-	-	-	-	-
	No. 82567820, B-2-J and	-	-	-	-	-	-	-	-	-	-	-	-	-	-	-	-	-	-	-
	B-2-K after serial No. 82803597).	2, 3, 4	1	1	1	1	1	1	-	-	-	1	-	1	-	-	-	-	-	1276 974
	(Flat Face and Windshield Cowl	-	-	-	-	-	-	-	-	-	-	-	-	-	-	-	-	-	-	-
	only)	2, 3, 4	-	-	-	-	-	-	-	-	-	-	-	-	-	-	-	-	-	1
	Bolt, 5/16" -24 x 3/4"	-	2	2	2	2	2	2	-	2	2	2	2	2	2	-	-	-	-	1277 370
	Nut	-	2	2	2	2	2	2	-	2	2	2	2	2	2	-	-	-	-	120 741
14-01-17	WASHER, Support Bracket Lock	-	-	-	-	-	-	-	-	-	-	-	-	-	-	-	-	-	-	120 368
	(Flat Face and Windshield Cowl	-	-	-	-	-	-	-	-	-	-	-	-	-	-	-	-	-	-	-
	only)	2, 3, 4	2	2	2	2	2	2	-	2	2	2	2	2	2	-	-	-	-	1097 771
14-01-18	BUTTON, Toe Board	-	2	2	2	2	2	2	2	2	2	2	2	2	2	-	-	-	-	451 965

THROTTLE RETURN SPRING

14-06-1	SPRING	-	1	1	1	1	1	1	-	-	-	1	-	1	-	1	1	1	1	1088 169
	(throttle shaft to carburetor rod).	-	-	-	-	-	-	-	1	1	1	-	1	-	1	-	-	-	-	666 783
	Pin, cotter (dash end)	-	1	1	1	1	1	1	-	-	-	1	-	1	-	1	1	1	1	108 630
14-06-10	CLIP, Spring	4	-	-	-	-	-	-	-	-	-	-	-	1	-	-	-	-	-	† 76 304
	Spring	2, 3, 4	-	-	-	-	-	-	-	-	-	-	-	-	1	1	1	1	1	‡ 1268 684

ACCELERATOR PEDAL ROD

14-07-1	ROD	-	1	1	1	1	1	1	-	-	-	1	-	1	-	-	-	-	-	590 005
		-	-	-	-	-	-	-	1	1	1	-	1	-	1	-	-	-	-	1196 645
		-	-	-	-	-	-	-	-	-	-	-	-	-	-	1	1	1	1	† 1196 346
		-	-	-	-	-	-	-	-	-	-	-	-	-	-	1	1	1	1	‡ 1268 354
	Pin, clevis	-	1	1	1	1	1	1	1	1	1	1	1	1	1	1	1	1	1	138 083
	Pin, cotter	-	1	1	1	1	1	1	1	1	1	1	1	1	1	1	1	1	1	112 726
	Washer, plain	-	1	1	1	1	1	1	1	1	1	1	1	1	1	1	1	1	1	120 392

THROTTLE HAND CONTROL BRACKET

14-08-26	BRACKET	4	-	-	-	-	-	-	-	-	-	-	-	1	-	-	-	-	-	‡ 1408 711
----------	---------	---	---	---	---	---	---	---	---	---	---	---	---	---	---	---	---	---	---	------------

★ Indicates use as required.

□ Indicates parts not listed in any previous parts books.

Series No. (1 indicates B-1 Series) (2 indicates B-2 Series) (3 indicates B-3 Series) (4 indicates B-4 Series)

Where no Series No. is shown part is for B-1, B-2, B-3 and B-4 Series.

April 6, 1953 Supersedes Dec. 31, 1952.

Prices and specifications subject to change without notice.

Printed in U.S.A.

* Indicates change or addition.

CODE	PART NAME AND DESCRIPTION	SERIES NO.	MODEL CODES														PART NO.			
			B	C	D	F	G	H & HH	FM	GM	HM & HHM	J	JM	K	KM	R		T	V	Y
ACCELERATOR SHAFT																				
14-11-1	SHAFT	-	1	1	1	1	1	1	-	-	1	-	1	-	-	-	-	-	-	1195 531
			-	-	-	-	-	-	-	1	-	1	-	1	-	-	-	-	-	595 511
			-	-	-	-	-	-	-	-	-	-	-	-	-	1	1	1	-	†1190 771
14-11-9	ROD (to throttle control bell crank) (B-1-B and B-1-C up to engine No. T142-73727, B-1-D up to engine No. T146-29890).	1	1	1	1	-	-	-	-	-	-	-	-	-	-	-	-	-	-	1195 533
	(to throttle control bell crank) (B-1-B and B-1-C after engine No. T142-73727, B-1-D after engine No. T146-29890)	1	1	1	1	-	-	-	-	-	-	-	-	-	-	-	-	-	-	1265 270
	(to throttle control bell crank)	2,3,4	1	1	1	-	-	-	-	-	-	-	-	-	-	-	-	-	-	1265 270
	(to throttle control bell crank)	-	-	-	1	1	1	-	-	-	1	-	1	-	-	-	-	-	-	1195 419
	w/Spring CLIP (to throttle control bell crank)	-	-	-	-	-	-	-	-	-	-	-	-	-	1	1	1	-	-	†1195 657
	(to throttle control bellcrank)	4	-	-	-	-	-	-	-	-	-	1	-	-	-	-	-	-	-	†1408 703
	Throttle Control Engine Bell Crank Connecting	2,3	-	-	-	-	-	-	-	-	-	-	-	-	1	1	1	1	-	*†1267 125
	Throttle Control Engine Bell Crank Connecting	4	-	-	-	-	-	-	-	-	-	-	-	-	1	1	1	1	-	†1502 582
	Pin, cotter	-	1	1	1	1	1	1	-	-	1	-	1	-	1	1	1	-	-	103 373
	Washer, plain	-	1	1	1	1	1	1	-	-	1	-	1	-	1	1	1	-	-	120 392
14-11-10	BALL JOINT, to Engine Bell Crank Rod	4	-	-	-	-	-	-	-	-	-	-	1	-	-	-	-	-	-	†1117 181
14-11-20	BRACKET	-	1	1	1	1	1	1	-	1	1	-	1	-	1	-	-	-	-	1195 527
			-	-	-	-	-	-	1	1	1	-	1	-	1	-	-	-	-	595 508
	Bolt, 5/16" -24 x 5/8"	-	2	2	2	2	2	2	-	-	-	2	-	2	-	-	-	1	1	†1190 772
	Bolt, 3/8" -16 x 3/4" (to manifold)	-	-	-	-	-	-	-	1	1	1	-	1	-	1	-	-	-	-	122 119
	Bolt, 3/8" -24 x 1 1/2" (to cylinder head)	-	-	-	-	-	-	-	1	1	1	-	1	-	1	-	-	-	-	123 382
	Nut	-	2	2	2	2	2	2	-	-	-	2	-	2	-	-	-	-	-	120 368
	Washer, lock	-	2	2	2	2	2	2	-	-	-	2	-	2	-	-	-	-	-	120 214
	Washer, lock	-	-	-	-	-	-	-	1	1	1	-	1	-	1	-	-	-	-	120 382
	Washer, lock	-	-	-	-	-	-	-	1	1	1	-	1	-	1	-	-	-	-	138 489
14-11-28	LEVER (shaft to pedal)	-	1	1	1	1	1	1	-	-	-	1	-	1	-	-	-	-	-	642 265
			-	-	-	-	-	-	1	1	1	-	1	-	1	-	-	-	-	660 331
			-	-	-	-	-	-	-	-	-	-	-	-	-	1	1	1	-	†1195 656
	Pin, taper	-	1	1	1	1	1	1	1	1	1	1	1	1	1	1	1	1	1	103 563
THROTTLE CONTROL BALL JOINT																				
14-13-1	BALL JOINT, Engine Bell Crank to Carburetor Rod, Front	4	-	-	-	-	-	-	-	-	-	-	1	-	-	-	-	-	-	† 694 895
	(engine bell crank to carburetor rod - front)	4	-	-	-	-	-	-	-	-	-	-	1	-	-	-	-	-	-	†1267 138
	(engine bell crank to carburetor rod - rear)	4	-	-	-	-	-	-	-	-	-	-	1	-	-	-	-	-	-	† 694 895
	(engine bell crank to carburetor rod - rear)	4	-	-	-	-	-	-	-	-	-	-	1	-	-	-	-	-	-	†1117 181
	(engine bell crank rod)	4	-	-	-	-	-	-	-	-	-	-	2	-	-	-	-	-	-	†1117 181
	(engine bell crank to carburetor rod bell crank end-front)	2,3	-	-	-	-	-	-	-	-	-	-	-	-	1	1	1	1	-	*†1267 138
	(engine bell crank to carburetor rod bell crank end-front)	4	-	-	-	-	-	-	-	-	-	-	-	-	1	1	1	1	-	†1484 928
	(engine bell crank to carburetor front rod carburetor end)	2,3,4	-	-	-	-	-	-	-	-	-	-	-	-	1	1	1	1	-	†1117 181

★Indicates use as required.

Prices and specifications subject to change without notice.

†Indicates parts not listed in any previous parts books.

Series No. (1 indicates B-1 Series) (2 indicates B-2 Series) (3 indicates B-3 Series) (4 indicates B-4 Series)

Where no Series No. is shown part is for B-1; B-2; B-3 and B-4 Series.

* Indicates change or addition.

CODE	PART NAME AND DESCRIPTION	SERIES NO.	MODEL CODES																PART NO.	
			B	C	D	F	G	H & HH	FM	GM	HM & HHM	J	JM	K	KM	R	T	V		Y
THROTTLE CONTROL BALL JOINT - Cont'd																				
14-13-1	BALL JOINT (engine bell crank to carburetor rear rod)	2,3,4	-	-	-	-	-	-	-	-	-	-	-	-	-	1	1	1	1	†1117 181
	(throttle control engine bell crank to intermediate bell crank rod)	2,3	-	-	-	-	-	-	-	-	-	-	-	-	-	2	2	2	2	*†1120 845
	(throttle control engine bell crank to intermediate bell crank rod)	4	-	-	-	-	-	-	-	-	-	-	-	-	-	2	2	2	2	*†1117 181
	(throttle control engine bell crank connecting rod)	4	-	-	-	-	-	-	-	-	-	-	-	-	-	2	2	2	2	*†1117 181
	(throttle control engine bell crank to carburetor rod bell crank end - rear)	4	-	-	-	-	-	-	-	-	-	-	-	-	-	1	1	1	1	‡1484 928
	Nut	-	-	-	-	-	-	-	-	-	-	-	-	-	-	*	*	*	*	* 120 367
	Washer, lock	-	-	-	-	-	-	-	-	-	-	-	-	-	-	*	*	*	*	* 120 380
THROTTLE CONTROL BELL CRANK																				
14-14-1	BELL CRANK	-	1	1	1	1	1	1	-	-	-	1	-	1	-	-	-	-	-	† 640 407
	(engine)	4	-	-	-	-	-	-	-	-	-	-	-	2	-	-	-	-	-	*†1408 705
	(intermediate)	-	-	-	-	-	-	-	-	-	-	-	-	-	-	1	1	1	1	† 922 418
	(rear)	1,2,3	-	-	-	-	-	-	-	-	-	-	-	-	-	1	1	1	1	†1268 340
	(rear)	4	-	-	-	-	-	-	-	-	-	-	-	-	-	1	1	1	1	*†1268 348
	(engine)	1,2,3	-	-	-	-	-	-	-	-	-	-	-	-	-	1	1	1	1	‡1502 587
	(engine)	4	-	-	-	-	-	-	-	-	-	-	-	-	-	1	1	1	1	*†1267 130
14-14-2	ROD (intermediate bell crank to engine bell crank)	2,3,4	-	-	-	-	-	-	-	-	-	-	-	-	-	1	1	1	1	‡1267 120
	Nut	-	-	-	-	-	-	-	-	-	-	-	-	-	-	2	2	2	2	120 367
14-14-3	ROD (bell crank to carburetor (w/o governor) (B-1-B and B-1-C up to engine No. T142-73727, B-1-D up to engine No. T146-29890)	1	1	1	1	-	-	-	-	-	-	-	-	-	-	-	-	-	-	919 981
	(bell crank to carburetor (w/o governor) (B-1-B and B-1-C after engine No. T142-73727, B-1-D after engine No. T146-29890)	-	1	1	1	-	-	-	-	-	-	-	-	-	-	-	-	-	-	1265 272
	(bell crank to carburetor (w/governor) (B-1-B and B-1-C up to engine No. T142-73727, B-1-D up to engine No. T146-29890)	1	1	1	1	-	-	-	-	-	-	-	-	-	-	-	-	-	-	919 982
	(bell crank to carburetor (w/governor) (B-1-B and B-1-C after engine No. T142-73727, B-1-D after engine No. T146-29890)	-	1	1	1	-	-	-	-	-	-	-	-	-	-	-	-	-	-	1265 273
	(bell crank to carburetor) (w/o governor)	-	-	-	-	1	1	1	-	-	-	-	-	-	-	-	-	-	-	919 981
	(bell crank to carburetor) (w/governor)	-	-	-	-	1	1	1	-	-	-	-	-	-	-	-	-	-	-	919 982
	(bell crank to carburetor)	-	-	-	-	-	-	-	-	-	1	-	1	-	-	-	-	-	-	919 982
	(bell crank to carburetor) (w/o governor)	-	-	-	-	-	-	-	1	-	1	-	-	-	-	-	-	-	-	1196 620
	(bell crank to carburetor) (w/governor)	1	-	-	-	-	-	-	1	-	1	-	-	-	-	-	-	-	-	1196 624
	(bell crank to carburetor)	2,3	-	-	-	-	-	-	-	1	-	-	-	-	-	-	-	-	-	1196 620

★Indicates use as required.

‡Indicates parts not listed in any previous parts books.

Series No. (1 indicates B-1 Series) (2 indicates B-2 Series) (3 indicates B-3 Series) (4 indicates B-4 Series)

Where no Series No. is shown part is for B-1, B-2, B-3 and B-4 Series.

Sept. 30, 1953 Supersedes April 6, 1953.

Prices and specifications subject to change without notice.

CODE	PART NAME AND DESCRIPTION	SERIES NO.	MODEL CODES														PART NO.			
			B	C	D	F	G	H & HH	FM	GM	HM & HHM	J	JM	K	KM	R		T	V	Y
THROTTLE CONTROL BELL CRANK - Cont'd																				
14-14-3	ROD (bell crank to carburetor) . . .	-	-	-	-	-	-	-	-	-	1	-	1	-	1	-	-	-	-	1196 624
	(bell crank to carburetor front) . .	4	-	-	-	-	-	-	-	-	-	-	-	1	-	-	-	-	-	†1408 713
	(bell crank to carburetor rear) . .	4	-	-	-	-	-	-	-	-	-	-	-	1	-	-	-	-	-	†1408 715
	(bell crank to bell crank)	4	-	-	-	-	-	-	-	-	-	-	-	1	-	-	-	-	-	*†1408 708
	(bell crank to carburetor)	1	-	-	-	-	-	-	-	-	-	-	-	-	1	1	1	-	-	†1195 659
	(bell crank to carburetor) (B-2-R up to approximately engine No. T186-1255, B-2-T and B-2-V up to engine No. T188- 1395)	2	-	-	-	-	-	-	-	-	-	-	-	-	-	1	1	1	-	†1195 659
	(bell crank to carburetor) (B-2-R after approximately engine No. T186-1255, B-2-T and B-2-V after engine No. T188- 1395)	2,3,4	-	-	-	-	-	-	-	-	-	-	-	-	-	1	1	1	-	†1264 901
	(bell crank to carburetor rear) . .	2,3	-	-	-	-	-	-	-	-	-	-	-	-	-	1	1	1	1	*†1267 140
	(bell crank to carburetor rear) . .	4	-	-	-	-	-	-	-	-	-	-	-	-	-	1	1	1	1	†1484 927
	(bell crank to carburetor front) (B-4-Y up to engine No. T324-3140)	2,3,4	-	-	-	-	-	-	-	-	-	-	-	-	-	1	1	1	1	*†1267 137
	(bell crank to carburetor front) (B-4-Y after engine No. T324-3140)	4	-	-	-	-	-	-	-	-	-	-	-	-	1	1	1	1	1	†1484 927
14-14-4	SPRING (accelerator shaft to throttle control bell crank rod) . .	-	2	2	2	2	2	2	2	2	2	2	2	2	2	2	2	2	-	112 726
	(accelerator shaft to carburetor rod)	-	1	1	1	1	1	1	1	1	1	1	1	1	1	1	1	1	-	920 735
	Pin, cotter	-	1	1	1	1	1	1	1	1	1	1	1	1	1	1	1	1	-	920 735
	Washer, plain	-	1	1	1	1	1	1	1	1	1	1	1	1	1	1	1	1	-	103 373
14-14-5	CLIP (accelerator shaft to carburetor rod return spring) . .	-	1	1	1	1	1	1	1	1	1	1	1	1	1	1	1	1	1	695 310
	(engine bell crank connecting rod end rear)	2,3,4	-	-	-	-	-	-	-	-	-	-	-	-	-	1	1	1	1	† 667 774
	(engine bell crank connecting rod end front)	2,3,4	-	-	-	-	-	-	-	-	-	-	-	-	-	1	1	1	1	† 666 790
14-14-10	SWIVEL	-	1	1	1	1	1	1	-	-	-	1	-	1	-	1	1	1	-	†1261 312
	(accelerator shaft to carburetor rod)	-	-	-	-	-	-	-	1	1	1	-	1	-	1	-	-	-	-	1196 623
	(intermediate bell crank)	2,3,4	-	-	-	-	-	-	-	-	-	-	-	-	-	1	1	1	1	†1261 312
	Pin, cotter	-	-	-	-	-	-	-	1	1	1	-	1	-	1	-	-	-	-	112 726
	Washer, plain	-	-	-	-	-	-	-	1	1	1	-	1	-	1	-	-	-	-	120 392
14-14-11	CLIP, Bell Crank Swivel	-	1	1	1	1	1	1	-	-	-	1	-	1	-	1	1	1	-	639 174
	Intermediate Bell Crank Swivel . .	2,3,4	-	-	-	-	-	-	-	-	-	-	-	-	-	1	1	1	1	† 639 174
14-14-12	BRACKET (intermediate bell crank)	2,3,4	-	-	-	-	-	-	-	-	-	-	-	-	-	1	1	1	1	†1268 341
	(engine bell crank bracket front) . .	2,3	-	-	-	-	-	-	-	-	-	-	-	-	-	1	1	1	1	*†1267 134
	(engine bell crank bracket front) . .	4	-	-	-	-	-	-	-	-	-	-	-	-	-	1	1	1	1	†1502 576
	(rear bell crank)	2,3,4	-	-	-	-	-	-	-	-	-	-	-	-	-	1	1	1	1	1268 350
	(engine bell crank bracket - rear) . .	2,3	-	-	-	-	-	-	-	-	-	-	-	-	-	1	1	1	1	*†1267 127
	(engine bell crank bracket - rear) . .	4	-	-	-	-	-	-	-	-	-	-	-	-	-	1	1	1	1	†1502 578

*Indicates use as required.

†Indicates parts not listed in any previous parts books.

Series No. (1 indicates B-1 Series) (2 indicates B-2 Series) (3 indicates B-3 Series) (4 indicates B-4 Series)

Where no Series No. is shown part is for B-1, B-2, B-3 and B-4 Series.

* Indicates change or addition.

Prices and specifications subject to change without notice.

CODE	PART NAME AND DESCRIPTION	SERIES NO.	MODEL CODES														PART NO.			
			B	C	D	F	G	H & HH	FM	GM	HM & HHM	J	JM	K	KM	R		T	V	Y
THROTTLE CONTROL BELL CRANK - Cont'd																				
14-14-18	ROD (intermediate bell crank to rear bell crank)	2, 3	-	-	-	-	-	-	-	-	-	-	-	-	-	1	1	1	1	* † 1268 344
	(intermediate bell crank to rear bell crank)	4	-	-	-	-	-	-	-	-	-	-	-	-	-	1	1	1	1	‡ 1502 585
	Pin, cotter	2, 3, 4	-	-	-	-	-	-	-	-	-	-	-	-	-	2	2	2	2	103 373
	Washer, plain	2, 3, 4	-	-	-	-	-	-	-	-	-	-	-	-	-	2	2	2	2	120 392
14-14-19	SPRING (intermediate bell crank to rear bell crank rod)	2, 3, 4	-	-	-	-	-	-	-	-	-	-	-	-	-	1	1	1	1	† 1268 346
14-14-20	STUD, Bell Crank Lever	-	1	1	1	1	1	1	-	-	-	1	-	1	-	1	1	1	-	† 602 071
	Pin, cotter	4	-	-	-	-	-	-	-	-	-	-	2	-	-	-	-	-	-	† 1408 706
	Washer, lock	-	1	1	1	1	1	1	-	-	-	1	-	1	-	1	1	1	-	103 373
	Washer, plain	-	1	1	1	1	1	1	-	-	-	1	-	1	-	1	1	1	-	120 214
14-14-24	WASHER, Bell Crank Lever Stud Spring	-	1	1	1	1	1	1	-	-	-	1	-	1	-	1	1	1	-	† 391 888
		4	-	-	-	-	-	-	-	-	-	-	-	2	-	-	-	-	-	‡ 391 888
THROTTLE CONTROL HAND LEVER																				
14-17-1	LEVER	-	1	1	1	1	1	1	-	-	-	1	-	1	-	1	1	1	-	† 602 068
		-	-	-	-	-	-	-	1	1	1	-	1	-	1	-	-	-	-	597 803
		4	-	-	-	-	-	-	-	-	-	-	1	-	-	-	-	-	-	† 1408 709
	Screw, No. 8-32 x 5/16"	-	1	1	1	1	1	1	-	-	-	1	-	1	-	1	1	1	1	† 1267 131
		-	1	1	1	1	1	1	-	-	-	1	-	1	-	1	1	1	-	431 943
THROTTLE CONTROL BUTTON AND WIRE																				
14-24-2	KNOB	-	1	1	1	1	1	1	1	1	1	1	1	1	1	1	1	1	1	1191 534
14-24-7	THROTTLE CONTROL, w/WIRE and HOUSING	-	1	1	1	1	1	1	1	1	1	1	1	1	1	1	1	1	1	1261 045
14-24-11	CLIP (on dash)	-	-	-	-	-	-	-	1	1	1	-	1	-	1	-	-	-	-	1263 079
		-	-	-	-	-	-	-	2	2	2	-	2	-	2	-	-	-	-	1263 079
THROTTLE CONTROL GUIDE AND HOUSING																				
14-25-6	NUT, Mounting	-	1	1	1	1	1	1	1	1	1	1	1	1	1	1	1	1	1	1189 496
14-25-7	WASHER, Mounting Nut	-	1	1	1	1	1	1	1	1	1	1	1	1	1	1	1	1	1	1194 598
THROTTLE CONTROL WIRE TUBE BRACKET																				
14-26-1	BRACKET	-	1	1	1	1	1	1	-	-	-	1	-	1	-	1	1	1	-	602 069
	Bolt, 5/16"-18 x 3/4"	-	1	1	1	1	1	1	-	-	-	1	-	1	-	1	1	1	-	122 007
	Washer, lock	-	1	1	1	1	1	1	-	-	-	1	-	1	-	1	1	1	-	120 214
14-26-2	CLIP	-	1	1	1	1	1	1	-	-	-	1	-	1	-	1	1	1	2	389 413
	Screw, No. 10-24 x 1/2"	-	1	1	1	1	1	1	-	-	-	1	-	1	-	1	1	1	-	1261 735
	Nut	-	1	1	1	1	1	1	-	-	-	1	-	1	-	1	1	1	2	120 221
	Washer, lock	-	1	1	1	1	1	1	-	-	-	1	-	1	-	1	1	1	2	120 361
		-	1	1	1	1	1	1	-	-	-	1	-	1	-	1	1	1	2	138 479
CARBURETOR AIR CLEANER																				
14-29-2	AIR CLEANER (oil bath, 1 pint capacity)	-	1	1	1	1	1	1	1	1	1	1	1	1	1	-	-	-	-	919 801
	(oil bath, 1 quart capacity)	-	1	1	1	1	1	1	1	1	1	1	1	1	-	-	-	-	-	919 802
	(oil bath, 1 quart capacity)	2	-	-	-	-	-	-	-	-	-	-	-	-	1	-	-	-	-	† 919 802

★ Indicates use as required.

‡ Indicates parts not listed in any previous parts books.

Series No. (1 indicates B-1 Series) (2 indicates B-2 Series) (3 indicates B-3 Series) (4 indicates B-4 Series)

Where no Series No. is shown part is for B-1, B-2, B-3 and B-4 Series.

* Indicates change or addition.

Prices and specifications subject to change without notice.

CODE	PART NAME AND DESCRIPTION	SERIES NO.	MODEL CODES													PART NO.			
			B	C	D	F	G	H & HH	FM	GM	HM & HHM	J	JM	K	KM		R	T	V
CARBURETOR AIR CLEANER - Cont'd																			
14-29-2	AIR CLEANER (oil bath, 1 quart capacity)	1	-	-	-	-	-	-	-	-	-	-	-	-	1	1	1	-	1314 396
	(oil bath, 1 pint capacity)	4	-	-	-	-	-	-	-	-	-	-	-	2	-	-	-	† 919 801	
	(oil bath, 1 quart capacity) (B-2-T and B-2-V up to engine No. T188-1395)	2,3,4	-	-	-	-	-	-	-	-	-	-	-	-	2	2	2	2	† 919 801
	(oil bath, 1 quart capacity) (B-2-T and B-2-V after engine No. T188-1395)	2	-	-	-	-	-	-	-	-	-	-	-	-	-	1	1	-	1314 396
	Screw or Bolt, 5/16"-18x3/4" (for 1188 106 cleaner)	2,3,4	-	-	-	-	-	-	-	-	-	-	-	-	-	1	1	-	† 919 802
	Washer, lock	-	-	-	-	-	-	-	-	-	-	-	-	-	4	4	4	-	132 325
14-29-5	GASKET (for 919 801 and 919 802 air cleaner)	-	-	-	-	-	-	-	-	-	-	-	-	-	4	4	4	-	138 485
	(for 1188 106 air cleaner)	-	1	1	1	1	1	1	1	1	1	1	★	1	★	★	★	2	952 062
14-29-12	BRACKET	-	-	-	-	-	-	1	1	1	1	1	-	1	-	-	-	-	925 232
	Bolt, 3/8" -16 x 1"	-	-	-	-	-	-	2	2	2	-	2	-	2	-	-	-	-	919 787
	Washer, lock	-	-	-	-	-	-	2	2	2	-	2	-	2	-	-	-	-	120 233
14-29-24	TUBE, to Carburetor (20" lgh.)	-	-	-	-	-	-	1	1	1	-	1	-	1	-	-	-	-	120 382
14-29-25	CLAMP, Tube Hose	-	-	-	-	-	-	4	4	4	-	4	-	4	-	-	-	-	1196 662
14-29-42	HOSE, Tube (specify 3 1/4")	-	-	-	-	-	-	★	★	★	-	★	-	★	-	-	-	-	870 469
			-	-	-	-	-	-	-	-	-	-	-	-	-	-	-	-	780 182

CARBURETOR

Note: For identification of carburetor detail parts numbers 1 thru 16 are assigned to the carburetor assemblies or packages as indicated below:

- 871 552 - No. 1
- 1317 256 - No. 2
- 1269 404 - No. 3
- 1241 507 - No. 4
- 1317 261 - No. 5
- 1317 260 - No. 6
- 919 487 - No. 7
- 1317 258 - No. 8
- 912 412 - No. 9
- 1317 959 - No. 10
- 1138 882 - No. 11
- 1138 880 - No. 12
- 1317 259 - No. 13
- 1400 468 - No. 14
- 1503 583 - No. 15
- 1532 831 - No. 16

14-30-1	CARBURETOR (also specify 1-862 072 Adapter)	1	1	1	-	-	-	-	-	-	-	-	-	-	-	-	-	-	871 552
	(w/o Fluid Drive)	2,3,4	1	1	-	-	-	-	-	-	-	-	-	-	-	-	-	-	1317 256
	(w/Fluid Drive)	2,3,4	1	1	-	-	-	-	-	-	-	-	-	-	-	-	-	-	1269 404
	(w/TRUCK-O-MATIC)	4	1	1	-	-	-	-	-	-	-	-	-	-	-	-	-	-	1400 468
	(from engine No. T176-4153, to engine No. T310-24983) (w/o Fluid Drive)	1	-	-	1	-	-	-	-	-	-	-	-	-	-	-	-	-	*1317 261
	(after engine No. T310-24983) (w/o Fluid Drive)	2,3	-	-	1	-	-	-	-	-	-	-	-	-	-	-	-	-	1317 261
	(up to serial No. 81457720) (w/Fluid Drive)	3,4	-	-	1	-	-	-	-	-	-	-	-	-	-	-	-	-	1317 256
	(after serial No. 81457720) (w/Fluid Drive)	2,3	-	-	1	-	-	-	-	-	-	-	-	-	-	-	-	-	1317 260
	(w/Fluid Drive)	3,4	-	-	1	-	-	-	-	-	-	-	-	-	-	-	-	-	1269 404

★ Indicates use as required.

‡ Indicates parts not listed in any previous parts books.

Series No. (1 indicates B-1 Series) (2 indicates B-2 Series) (3 indicates B-3 Series) (4 indicates B-4 Series)

Where no Series No. is shown part is for B-1, B-2, B-3 and B-4 Series.

June 30, 1953 Supersedes April 6, 1953.

Prices and specifications subject to change without notice.

Printed in U.S.A.

* Indicates change or addition.

CODE	PART NAME AND DESCRIPTION	SERIES NO.	MODEL CODES													PART NO.				
			B	C	D	F	G	H & HH	FM	GM	HM & HHM	J	JM	K	KM		R	T	V	Y
CARBURETOR - Cont'd																				
14-30-1	CARBURETOR (B-2-F and B-2-G up to engine No. T178-5037, B-2-H and B-2-HH up to engine No. T192-2683. B-2-J and B-2-K up to engine No. T180-2891. B-2-R up to approximately engine No. T186-1255) (919 487 carburetor cancelled - service detail parts)	2	-	-	-	1	1	1	-	-	-	1	-	1	-	1	-	-	-	-----
	(B-2-F and B-2-G after engine No. T178-5037. B-2-H and B-2-HH after engine No. T192-2683. B-2-J and B-2-K after engine No. 180-2891. B-2-R after approximately engine No. T186-1255)	1,2 3,4 4 1	-	-	-	1	1	1	-	-	-	1	-	1	-	1	-	-	-	*†1317 258 †1317 258 †1503 583 912 412
	(B-2-GM up to engine No. T182-1174. B-2-HM and B-2-HHM up to engine No. T194-1122. B-2-JM and B-2-KM up to engine No. T184-1290)	2	-	-	-	-	-	-	1	1	-	1	-	1	-	-	-	-	-	912 412
	(B-2-GM after engine No. T182-1174. B-2-HM and B-2-HHM after engine No. T194-1122. B-2-JM and B-2-KM after engine No. T184-1290)	2,3,4 1 1	-	-	-	-	-	-	1	1	-	1	-	1	-	1	-	-	-	1317 959 1138 882 1138 880
	(B-2-T and B-2-V up to engine No. T188-1395)	2	-	-	-	-	-	-	-	-	-	-	-	-	-	1	1	-	-	1138 880
	(B-2-T and B-2-V after engine No. T188-1395)	2 2,3 4	-	-	-	-	-	-	-	-	-	-	-	-	-	1	1	2	2	†1317 258 †1317 259 1532 831
14-30-3	VENTURI (for 912 412 carburetor) (for 1317 959 carburetor)	-	-	-	-	-	-	-	1	1	1	-	1	-	1	-	-	-	-	598 004
14-30-5	CARBURETOR PACKAGE (up to engine No. T176-4153) (w/o Fluid Drive)	1	-	-	1	-	-	-	-	-	-	-	-	-	-	-	-	-	-	1241 507
14-30-6	CARBURETOR KIT (for dual carburetors)	2	-	-	1	-	-	-	-	-	-	-	-	-	-	-	-	-	-	1241 507
CARBURETOR ATTACHING STUD																				
14-31-3	STUD, Flange	-	2	2	2	-	-	-	-	-	-	-	-	-	-	-	-	-	-	113 247 103 203 622 462
	(use with dual carburetors)	4	-	-	-	-	-	-	-	-	-	-	-	4	-	-	-	-	-	128 040
	Nut	-	2	2	2	2	2	2	2	2	2	2	2	2	2	2	2	2	2	120 369
	Washer, lock	-	2	2	2	2	2	2	2	2	2	2	2	2	2	2	2	2	2	120 382
14-31-5	BRACE (to cylinder head) (use with 11, 12)	-	-	-	-	-	-	-	-	-	-	-	-	-	1	1	1	-	-	1122 835
	Bolt, 3/8"-16 x 3/4"	-	-	-	-	-	-	-	-	-	-	-	-	-	2	2	2	-	-	122 119
	Stud	-	-	-	-	-	-	-	-	-	-	-	-	-	2	2	2	-	-	113 237
	Nut	-	-	-	-	-	-	-	-	-	-	-	-	-	2	2	2	-	-	120 369
	Washer, lock	-	-	-	-	-	-	-	-	-	-	-	-	-	2	2	2	-	-	120 382
	Washer, plain	-	-	-	-	-	-	-	-	-	-	-	-	-	2	2	2	-	-	120 394

★Indicates use as required.

☐Indicates parts not listed in any previous parts books.

Series No. (1 indicates B-1 Series) (2 indicates B-2 Series) (3 indicates B-3 Series) (4 indicates B-4 Series)

Where no Series No. is shown part is for B-1, B-2, B-3 and B-4 Series.

* Indicates change or addition.

Prices and specifications subject to change without notice.

CODE	PART NAME AND DESCRIPTION	SERIES NO.	MODEL CODES													PART NO.				
			B	C	D	F	G	H & HH	FM	GM	HM & HHM	J	JM	K	KM		R	T	V	Y
CARBURETOR NOZZLE																				
14-32-1	NOZZLE (use with 9, 10)	-	-	-	-	-	-	-	-	1	1	1	-	1	-	1	-	-	-	645 617
CARBURETOR BODY FLANGE OR THROTTLE BODY																				
14-33-1	FLANGE (use with 1)	-	1	1	-	-	-	-	-	-	-	-	-	-	-	-	-	-	-	921 765
	(use with 2)	-	1	1	-	-	-	-	-	-	-	-	-	-	-	-	-	-	-	1318 510
	(use with 3)	-	1	1	-	-	-	-	-	-	-	-	-	-	-	-	-	-	-	1322 744
	(use with 4)	-	-	-	1	-	-	-	-	-	-	-	-	-	-	-	-	-	-	920 754
	(use with 5)	-	-	-	1	-	-	-	-	-	-	-	-	-	-	-	-	-	-	1318 523
	(use with 6)	-	-	-	1	-	-	-	-	-	-	-	-	-	-	-	-	-	-	1318 524
	(use with 7)	-	-	-	-	1	1	1	-	-	-	1	-	1	-	1	-	-	-	922 078
	(use with 8, 13, 15, 16)	-	-	-	-	1	1	1	1	1	1	1	1	★	1	★	★	★	2	*1318 515
	(use with 11)	-	-	-	-	-	-	-	-	-	-	-	-	-	1	-	-	-	-	1140 775
	(use with 12)	-	-	-	-	-	-	-	-	-	-	-	-	-	-	1	1	-	-	1138 700
	(use with 14)	4	1	1	-	-	-	-	-	-	-	-	-	-	-	-	-	-	-	E1553 079
14-33-5	INSULATOR (use with 1)	-	1	1	-	-	-	-	-	-	-	-	-	-	-	-	-	-	-	697 713
	(use with 2, 3)	-	1	1	-	-	-	-	-	-	-	-	-	-	-	-	-	-	-	1318 513
	(use with 4)	-	-	-	1	-	-	-	-	-	-	-	-	-	-	-	-	-	-	698 853
	(use with 5, 6)	-	-	-	1	-	-	-	-	-	-	-	-	-	-	-	-	-	-	1318 521
	(use with 7)	-	-	-	-	1	1	1	-	-	1	-	1	-	1	-	-	-	-	662 803
	(use with 8, 13, 16)	-	-	-	-	1	1	1	-	-	1	-	1	-	★	★	★	★	2	*1318 518
	(use with 14)	4	1	1	-	-	-	-	-	-	-	-	-	-	-	-	-	-	-	E1553 082
CARBURETOR GASKETS																				
14-34-2	GASKET, Flange																			
	(w/o governor) (use with 1, 2, 3)	-	1	1	1	-	-	-	-	-	-	-	-	-	-	-	-	-	-	637 191
	(w/governor) (use with 1, 2, 3)	-	1	1	1	-	-	-	-	-	-	-	-	-	-	-	-	-	-	697 695
	(w/o governor) (use with 4, 5, 6, 7, 8, 9, 10, 11, 12, 13, 14, 16)	-	-	-	1	1	1	1	1	1	1	1	1	1	★	★	★	★	*	637 191
	(w/governor) (use with 4, 5, 6)	-	-	-	1	-	-	-	-	-	-	-	-	-	-	-	-	-	-	637 191
	(w/governor) (use with 7, 8, 9, 10, 13, 14, 16)	-	-	-	-	1	1	1	1	1	1	1	1	★	★	★	★	2	*	662 811
	Carburetor Flange	4	-	-	-	-	-	-	-	-	-	-	-	2	-	2	2	2	2	‡ 562 221
	Flange (w/governor) (use with 11, 12)	-	-	-	-	-	-	-	-	-	-	-	-	-	1	1	1	-	-	637 191
14-34-4	GASKET, Body Flange																			
	(use with 1)	-	2	2	-	-	-	-	-	-	-	-	-	-	-	-	-	-	-	697 711
	(use with 2, 3)	-	2	2	-	-	-	-	-	-	-	-	-	-	-	-	-	-	-	1318 512
	(use with 4)	-	-	-	2	-	-	-	-	-	-	-	-	-	-	-	-	-	-	698 857
	(use with 5, 6)	-	-	-	2	-	-	-	-	-	-	-	-	-	-	-	-	-	-	1318 520
	(use with 7)	-	-	-	-	2	2	2	-	-	2	-	2	-	2	-	-	-	-	654 508
	(use with 8, 13, 14, 15, 16)	-	-	-	-	2	2	2	-	-	2	-	★	-	★	★	★	4	*	1318 517
	Body Flange (use with 11, 12)	-	-	-	-	-	-	-	-	-	-	-	-	-	1	1	1	-	-	1073 086
	(use with 14)	4	1	1	-	-	-	-	-	-	-	-	-	-	-	-	-	-	-	*1318 517
	(to insulator) (use with 14)	4	1	1	-	-	-	-	-	-	-	-	-	-	-	-	-	-	-	E1321 674
14-34-5	GASKET, Main Body (use with 1, 2, 3, 7, 8, 13, 15, 16)	-	1	1	-	1	1	1	-	-	-	1	-	★	-	★	★	★	2	* 697 712
	Air Horn (use with 4, 5, 6)	-	-	-	1	-	-	-	-	-	-	-	-	-	-	-	-	-	-	861 128
	Main Body (use with 9)	-	-	-	-	-	-	-	1	1	1	-	1	-	1	-	-	-	-	645 652
	Main Body (use with 10)	-	-	-	-	-	-	-	1	1	1	-	1	-	1	-	-	-	-	1323 831
	Main Body (use with 11, 12)	-	-	-	-	-	-	-	-	-	-	-	-	-	1	1	1	-	-	963 800
	Main Body (use with 14)	4	1	1	-	-	-	-	-	-	-	-	-	-	-	-	-	-	-	* 952 633
14-34-9	GASKET, Main Metering Jet (use with 1, 2, 3, 7, 8, 11, 12, 13, 14, 15, 16)	-	1	1	-	1	1	1	-	-	-	1	-	★	-	★	★	★	2	* 651 183
	(use with 4, 5, 6)	-	-	-	1	-	-	-	-	-	-	-	-	-	-	-	-	-	-	959 238
	(use with 9, 10)	-	-	-	-	-	-	-	1	1	1	-	1	-	1	-	-	-	-	645 619

★Indicates use as required.

Prices and specifications subject to change without notice.

☐Indicates parts not listed in any previous parts books.

Series No. (1 indicates B-1 Series) (2 indicates B-2 Series) (3 indicates B-3 Series) (4 indicates B-4 Series)

Where no Series No. is shown part is for B-1, B-2, B-3 and B-4 Series.

Printed in U.S.A.

Sept. 30, 1953 Supersedes April 6, 1953.

* Indicates change or addition.

CODE	PART NAME AND DESCRIPTION	SERIES NO.	MODEL CODES													PART NO.				
			B	C	D	F	G	H & HH	FM	GM	HM & HHM	J	JM	K	KM		R	T	V	Y
CARBURETOR GASKETS - Cont'd																				
14-34-12	GASKET, Step-Up Jet (use with 1, 2, 3, 7, 8, 11, 12, 13, 14, 15)	-	1	1	-	1	1	1	-	-	-	1	-	*	-	*	*	*	2	* 651 184
14-34-13	GASKET, Step-Up Piston (use with 1, 2, 3, 7, 8, 11, 12, 13, 14, 15).	-	1	1	-	1	1	1	-	-	-	1	-	*	-	*	*	*	2	* 651 185
14-34-15	GASKET, Power By-Pass Jet (use with 4, 5, 6)	-	-	-	1	-	-	-	-	-	-	-	-	-	-	-	-	-	-	662 431
14-34-16	GASKET, Pump By-Pass Jet (use with 4, 5, 6)	-	-	-	1	-	-	-	-	-	-	-	-	-	-	-	-	-	-	662 431
14-34-18	GASKET, Pump Rod (use with 9, 10)	-	-	-	-	-	-	-	1	1	1	-	1	-	1	-	-	-	-	645 595
14-34-20	GASKET, Check Valve Jet (use with 4, 5, 6)	-	-	-	1	-	-	-	-	-	-	-	-	-	-	-	-	-	-	959 239
14-34-21	GASKET, Float Needle Seat (use with 1, 2, 3, 7, 8, 9, 10, 11, 12, 13, 14).	-	1	1	-	1	1	1	1	1	1	1	1	1	1	*	*	*	2	* 645 613
	(use with 4, 5, 6).	-	-	-	1	-	-	-	-	-	-	-	-	-	-	-	-	-	-	647 093
	(use with 15, 16)	4	-	-	-	-	-	-	-	-	-	-	-	2	-	-	-	-	-	⊠1539 151
14-34-24	GASKET, Nozzle (use with 9, 10).	-	-	-	-	-	-	-	1	1	1	-	1	-	1	-	-	-	-	645 618
14-34-34	GASKET, Main Vent Plug (use with 11, 12)	-	-	-	-	-	-	-	-	-	-	-	-	-	-	1	1	1	-	963 802
14-34-36	GASKET, Governor Adjusting Screw Seal Plug (use with 11, 12)	-	-	-	-	-	-	-	-	-	-	-	-	-	1	1	1	-	-	1070 746
14-34-37	GASKET, Governor Secondary Spring Seal Plug (11, 12)	-	-	-	-	-	-	-	-	-	-	-	-	-	1	1	1	-	-	1072 959
CARBURETOR JETS																				
14-35-1	JET, Main Metering, w/GASKET (use with 1, 2, 3, 14)	-	1	1	-	-	-	-	-	-	-	-	-	-	-	-	-	-	-	*1316 029
	(use with 4, 5, 6).	-	-	-	1	-	-	-	-	-	-	-	-	-	-	-	-	-	-	957 321
	(use with 7, 8, 13, 15).	-	-	-	1	1	1	-	-	1	-	*	-	*	*	*	2	-	-	*1316 031
	(use with 9, 10)	-	-	-	-	-	-	1	1	1	-	1	-	1	-	-	-	-	-	616 186
	(use with 11, 12)	-	-	-	-	-	-	-	-	-	-	-	-	1	1	1	-	-	-	867 322
	(use with 16)	4	1	1	-	-	-	-	-	-	-	-	-	-	-	-	-	-	-	⊠1313 707
14-35-3	JET, Pump (use with 1, 2, 3, 14) (use with 7, 8, 13, 15).	-	1	1	-	1	1	1	-	-	-	1	-	*	-	*	*	*	2	* 957 801
	(use with 11, 12)	-	-	-	-	-	-	-	-	-	-	-	-	-	1	1	1	-	-	*1312 270
		-	-	-	-	-	-	-	-	-	-	-	-	-	-	-	-	-	-	697 706
14-35-4	JET, Step-Up, w/GASKET (use with 1, 2, 3, 7, 14, 15).	-	1	1	-	1	1	1	-	-	1	-	*	-	1	-	-	-	-	* 651 221
	(use with 8)	-	-	-	1	1	1	-	-	1	-	1	-	1	1	1	-	-	-	675 664
	Power Orifice (use with 9, 10)	-	-	-	-	-	-	1	1	1	-	1	-	1	-	-	-	-	-	862 319
	Step-Up, w/GASKET (use with 11, 12)	-	-	-	-	-	-	-	-	-	-	-	-	-	1	1	1	-	-	1192 060
	(use with 13, 16).	-	-	-	-	-	-	-	-	-	-	-	-	-	*	*	*	2	-	*1318 519
	(use with 13).	-	-	-	-	-	-	-	-	-	-	-	-	-	-	-	-	2	-	1404 602
14-35-6	JET, Power By-Pass (use with 4) (use with 5, 6)	-	-	-	1	-	-	-	-	-	-	-	-	-	-	-	-	-	-	691 200
14-35-7	JET, Pump By-Pass (use with 4, 5, 6)	-	-	-	1	-	-	-	-	-	-	-	-	-	-	-	-	-	-	1323 833
14-35-8	JET, Main Discharge (use with 4, 5, 6)	-	-	-	1	-	-	-	-	-	-	-	-	-	-	-	-	-	-	698 872
		-	-	-	1	-	-	-	-	-	-	-	-	-	-	-	-	-	-	957 323
CARBURETOR SPRINGS																				
14-36-1	SPRING, Idle Adjusting Screw (use with 4, 5, 6)	-	-	-	1	-	-	-	-	-	-	-	-	-	-	-	-	-	-	647 120
	Throttle Lever Adjusting Screw (use with 9, 10)	-	-	-	-	-	-	-	1	1	1	-	1	-	1	-	-	-	-	645 576
	(use with 15)	4	-	-	-	-	-	-	-	-	-	-	-	2	-	-	-	-	-	* 645 642

★ Indicates use as required.

Prices and specifications subject to change without notice.

⊠ Indicates parts not listed in any previous parts books.

Series No. (1 indicates B-1 Series) (2 indicates B-2 Series) (3 indicates B-3 Series) (4 indicates B-4 Series)

Where no Series No. is shown part is for B-1, B-2, B-3 and B-4 Series.

* Indicates change or addition.

CODE	PART NAME AND DESCRIPTION	SERIES NO.	MODEL CODES														PART NO.		
			B	C	D	F	G	H & HH	FM	GM	HM & HHM	J	JM	K	KM	R		T	V
CARBURETOR SPRINGS - Cont'd																			
14-36-2	SPRING, Step-Up Piston (use with 3, 7, 8, 11, 12, 13, 14, 15, 16)	-	1	1	-	1	1	1	-	-	-	1	-	*	*	*	*	2	* 689 498
	Step-Up Piston (use with 9, 10)	-	-	-	-	-	-	-	1	1	1	-	1	-	1	-	-	-	645 625
	Step-Up (use with 9, 10)	-	-	-	-	-	-	-	1	1	1	-	1	-	1	-	-	-	645 629
14-36-10	SPRING, Pump Plunger Leather (use with 1, 2, 3, 7, 8, 11, 12, 13, 14, 16)	-	1	1	-	1	1	1	-	-	-	1	-	1	-	*	*	*	* 691 315
	(use with 4, 5, 6)	-	-	-	1	-	-	-	-	-	-	-	-	-	-	-	-	-	647 123
14-36-15	SPRING, Pump Stem (use with 4)	-	-	-	1	-	-	-	-	-	-	-	-	-	-	-	-	-	698 884
	(use with 5, 6)	-	-	-	1	-	-	-	-	-	-	-	-	-	-	-	-	-	1317 513
	Pump (use with 9, 10)	-	-	-	-	-	-	-	1	1	1	-	1	-	1	-	-	-	645 603
14-36-19	SPRING, Choke Pull-Back (use with 1, 2, 3, 7, 8, 13, 14)	-	1	1	-	1	1	1	-	-	-	1	-	1	-	*	*	*	* 651 192
	Manual Choke Lever (use with 4, 5, 6)	-	-	-	1	-	-	-	-	-	-	-	-	-	-	-	-	-	698 879
	Choke Pull-Back (use with 15, 16)	4	-	-	-	-	-	-	-	-	-	-	-	2	-	*	*	*	*1075 692
14-36-20	SPRING, Pump (conical) (use with 1, 2, 3, 11, 12, 14)	-	1	1	-	-	-	-	-	-	-	-	-	-	-	1	1	1	* 675 665
	Pump Bottom Compression (use with 5, 6)	-	-	-	1	-	-	-	-	-	-	-	-	-	-	-	-	-	1316 743
	Pump (conical) (use with 7, 8, 13, 15, 16)	-	-	-	-	1	1	1	-	-	-	1	-	*	-	*	*	*	* 675 740
14-36-26	SPRING, Dash Pot (use with 3, 14)	-	1	1	-	-	-	-	-	-	-	-	-	-	-	-	-	-	*1141 756
14-36-27	SPRING, Float Fulcrum Pin (use with 4, 5, 6)	-	-	-	1	-	-	-	-	-	-	-	-	-	-	-	-	-	698 850
14-36-29	SPRING, Idle Adjusting Screw (use with 1, 2, 3, 7, 8, 11, 12, 13, 14, 16)	-	1	1	-	1	1	1	-	-	-	1	-	1	-	*	*	*	* 645 642
	Idle Needle Valve (use with 4, 5, 6)	-	-	-	1	-	-	-	-	-	-	-	-	-	-	-	-	-	647 070
	Spring, Idle Adjusting Screw (use with 9, 10)	-	-	-	-	-	-	-	1	1	1	-	1	-	1	-	-	-	645 641
14-36-32	SPRING, Valve Cage Plunger Operating (use with 14)	4	1	1	-	-	-	-	-	-	-	-	-	-	-	-	-	-	* 952 623
14-36-35	SPRING, Dash Pot Plunger (leather) (use with 14)	4	1	1	-	-	-	-	-	-	-	-	-	-	-	-	-	-	* 691 315
CARBURETOR PLUGS AND LEAD BALLS																			
14-37-2	PLUG, Main Metering Passage Rivet (use with 1, 2, 3, 7, 14)	-	1	1	-	1	1	1	-	-	-	1	-	1	-	1	-	-	*1136 041
14-37-3	PLUG, Main Discharge Jet (use with 4, 5, 6)	-	-	-	1	-	-	-	-	-	-	-	-	-	-	-	-	-	698 855
14-37-4	PLUG, Step-Up Passage Rivet (use with 1, 2, 3, 7, 8, 10, 11, 12, 13, 16)	-	1	1	-	1	1	1	-	-	-	1	-	*	-	*	*	*	* 688 102
	(use with 9)	-	-	-	-	-	-	-	1	1	1	-	1	-	1	-	-	-	861 141
14-37-5	PLUG, Step-Up Piston (use with 4, 5, 6, 9)	-	-	-	1	-	-	-	1	1	1	-	1	-	1	-	-	-	861 143
14-37-6	PLUG, Pump Jet Rivet (use with 1, 2, 3, 7, 8, 11, 12, 13, 14, 15, 16)	-	1	1	-	1	1	1	-	-	-	1	-	*	-	*	*	*	* 697 704
14-37-9	PLUG, Pump Check Valve Channel (use with 4, 5, 6)	-	-	-	1	-	-	-	-	-	-	-	-	-	-	1	1	1	869 668
	Venturi Passage (use with 11, 12)	-	-	-	-	-	-	-	-	-	-	-	-	-	-	1	1	1	688 102
14-37-10	PLUG, Pump Vacuum Passage (use with 11, 12, 14)	-	-	-	-	-	-	-	-	-	-	-	-	-	1	1	1	-	* 688 102

★ Indicates use as required.

Prices and specifications subject to change without notice.

☐ Indicates parts not listed in any previous parts books.

Series No. (1 indicates B-1 Series) (2 indicates B-2 Series) (3 indicates B-3 Series) (4 indicates B-4 Series)

Where no Series No. is shown part is for B-1, B-2, B-3 and B-4 Series.

Sept. 30, 1953 Supersedes Dec. 31, 1952. Page 14-14

Printed in U.S.A.

* Indicates change or addition.

CODE	PART NAME AND DESCRIPTION	SERIES NO.	MODEL CODES													PART NO.				
			B	C	D	F	G	H&HH	FM	GM	HM & HHM	J	JM	K	KM		R	T	V	Y
CARBURETOR PLUGS AND LEAD BALLS - Cont'd																				
14-37-11	PLUG, Pump discharge check ball passage (use with 1, 2, 3, 7, 8, 11, 12, 13, 14, 15)	-	1	1	-	1	1	1	-	-	-	1	-	*	-	*	*	*	2	* 689 485
14-37-15	PLUG, Idle Passage Rivet (use with 1, 2, 3, 7, 8, 11, 12, 13, 14, 15, 16)	-	1	1	-	1	1	1	-	-	-	1	-	*	-	*	*	*	2	* 688 106
	Idle Hole (use with 9, 10)	-	-	-	-	-	-	-	1	1	1	-	1	-	1	-	-	-	-	651 179
14-37-16	PLUG, Idle Discharge Hole (use with 4, 5, 6)	-	-	-	1	-	-	-	-	-	-	-	-	-	-	-	-	-	-	650 043
14-37-18	PLUG, Vacuum Spark Hole (use with 4, 5, 6)	-	-	-	1	-	-	-	-	-	-	-	-	-	-	-	-	-	-	650 043
14-37-19	PLUG, Limit Switch Vacuum Passage	1	1	1	-	-	-	-	-	-	-	-	-	-	-	-	-	-	-	* 952 619
14-37-25	PLUG, Main Vent Tube Rivet (use with 7, 8, 11, 12, 13, 15, 16)	-	-	-	-	1	1	1	-	-	-	1	-	*	-	*	*	*	2	*1136 041
14-37-26	BALL, Air Horn Lead (use with 4, 5, 6)	-	-	-	1	-	-	-	-	-	-	-	-	-	-	-	-	-	-	650 038
14-37-27	BALL, Main Body Lead (use with 4, 5, 6)	-	-	-	1	-	-	-	-	-	-	-	-	-	-	-	-	-	-	650 038
14-37-28	BALL, Step-Up Valve Cage (use with 9, 10)	-	-	-	-	-	-	-	1	1	1	-	1	-	1	-	-	-	-	651 205
14-37-29	BALL, Pump Intake (use with 9, 10, 14, 15, 16)	-	1	1	-	-	-	-	1	1	1	-	1	2	1	-	-	-	-	* 651 205
14-37-30	BALL, Pump Discharge Check (use with 1, 2, 3, 7, 8, 11, 12, 13, 14, 15, 16)	-	1	1	-	1	1	1	-	-	-	1	-	*	-	*	*	*	2	* 689 488
14-37-34	PLUG, Body Drain (use with 9, 10) Bowl Drain (use with 11, 12)	-	-	-	-	-	-	-	1	1	1	-	1	-	1	-	-	-	-	861 142
14-37-42	PLUG, Pump Bleed Passage Rivet (use with 9, 10, 11, 12)	-	-	-	-	-	-	-	-	-	-	-	-	-	1	1	1	-	-	1073 094
14-37-44	PLUG, Metering Rod Rivet Passage (use with 15)	4	-	-	-	-	-	-	-	-	-	-	-	2	-	-	-	-	-	* 688 102
CARBURETOR THROTTLE BODY AND VALVE																				
14-38-4	VALVE (use with 1, 2, 3, 14)	-	1	1	-	-	-	-	-	-	-	-	-	-	-	-	-	-	-	* 697 697
	(use with 4, 5, 6)	-	-	-	1	-	-	-	-	-	-	-	-	-	-	-	-	-	-	698 869
	(use with 7, 8, 13, 15)	-	-	-	-	1	1	1	-	-	-	-	2	-	-	-	-	-	-	* 662 783
	(use with 9)	-	-	-	-	-	-	-	1	1	1	-	1	-	1	-	-	-	-	861 135
	(use with 10)	-	-	-	-	-	-	-	1	1	1	-	1	-	1	-	-	-	-	1317 533
	(use with 16)	4	-	-	-	-	-	-	-	-	-	-	2	-	-	-	-	-	-	* 662 783
14-38-11	SHAFT (use with 9)	-	-	-	-	-	-	-	1	1	1	-	1	-	1	-	-	-	-	916 219
	(use with 10)	-	-	-	-	-	-	-	1	1	1	-	1	-	1	-	-	-	-	1317 534
14-38-12	SHAFT, Lever, w/ARM (use with 1, 2)	-	1	1	-	-	-	-	-	-	-	-	-	-	-	-	-	-	-	957 797
	(use with 3)	-	1	1	-	-	-	-	-	-	-	-	-	-	-	-	-	-	-	1127 836
	LEVER, w/STEM (use with 4, 5, 6)	-	-	-	1	-	-	-	-	-	-	-	-	-	-	-	-	-	-	1138 695
	SHAFT, Lever, w/ARM (use with 7, 8, 13, 15)	-	-	-	-	1	1	1	-	-	-	1	-	*	-	*	*	*	2	* 922 090
	(use with 11, 12)	-	-	-	-	-	-	-	-	-	-	-	-	-	1	1	1	-	-	1136 040
14-38-13	SHAFT, w/ARM	4	1	1	-	-	-	-	-	-	-	-	-	-	-	-	-	-	-	1318 496
14-38-14	ARM, Shaft Loose (use with 3, 14)	-	1	1	-	-	-	-	-	-	-	-	-	-	-	-	-	-	-	*1322 725
	DOG, Shaft (use with 11, 12)	-	-	-	-	-	-	-	-	-	-	-	-	-	1	1	1	-	-	1072 967

★ Indicates use as required.

Prices and specifications subject to change without notice.

□ Indicates parts not listed in any previous parts books.

Series No. (1 indicates B-1 Series) (2 indicates B-2 Series) (3 indicates B-3 Series) (4 indicates B-4 Series)

Where no Series No. is shown part is for B-1, B-2, B-3 and B-4 Series.

* Indicates change or addition.

CODE	PART NAME AND DESCRIPTION	SERIES NO.	MODEL CODES													PART NO.				
			B	C	D	F	G	H & HH	FM	GM	HM & HHM	J	JM	K	KM		R	T	V	Y
CARBURETOR THROTTLE BODY AND VALVE - Cont'd																				
14-38-19	LEVER, Assembly (use with 1, 2, 3, 7, 8, 13, 15, 16)	-	1	1	-	1	1	1	-	-	-	1	-	*	-	*	*	*	2	* 957 798
	(use with 9)	-	-	-	-	-	-	-	1	1	1	-	1	-	1	-	-	-	-	861 138
	(use with 10)	-	-	-	-	-	-	-	1	1	1	-	1	-	1	-	-	-	-	1318 502
	(use with 11, 12)	-	-	-	-	-	-	-	-	-	-	-	-	-	1	1	1	-	-	1072 966
	(use with 14)	4	1	1	-	-	-	-	-	-	-	-	-	-	-	-	-	-	-	⊠1312 269
14-38-21	Screw, No. 10-24 x 7/8"	-	-	-	-	-	-	-	1	1	1	-	1	-	1	-	-	-	-	132 056
14-38-21	STOP, Throttle lever (use with 1, 2, 3, 7, 8)	-	1	1	-	1	1	1	-	-	-	1	-	1	-	1	1	1	-	626 335
	SCREW, Throttle Stop lever (use with 11, 12)	-	-	-	-	-	-	-	-	-	-	-	-	-	1	1	1	-	-	1136 043
CARBURETOR CHOKE																				
14-39-1	VALVE (use with 1, 2, 3, 14)	-	1	1	-	-	-	-	-	-	-	-	-	-	-	-	-	-	-	*1136 031
	(use with 4, 5, 6)	-	-	1	-	-	-	-	-	-	-	-	-	-	-	-	-	-	-	698 864
	(use with 7, 8, 11, 12, 13, 15, 16)	-	-	-	1	1	1	-	-	-	1	-	*	-	*	*	*	2	* 689 496	
	(use with 9, 10)	-	-	-	-	-	-	1	1	1	-	1	-	1	-	-	-	-	-	861 140
14-39-6	LEVER, Control, w/SHAFT (use with 1, 2, 3, 7, 8, 13, 14)	-	1	1	-	1	1	1	-	-	-	1	-	1	-	*	*	*	2	* 957 800
	STEM, w/Contact LEVER (use with 4, 5, 6)	-	-	1	-	-	-	-	-	-	-	-	-	-	-	-	-	-	-	957 333
	LEVER, Assembly (use with 9, 10) (use with 11, 12)	-	-	-	-	-	-	1	1	1	-	1	-	1	-	1	1	1	-	861 145
	LEVER, w/SHAFT (use with 15, 16)	4	-	-	-	-	-	-	-	-	-	-	2	-	-	-	-	-	-	⊠1404 601
14-39-10	LEVER, Manual (use with 4, 5, 6)	-	-	1	-	-	-	-	-	-	-	-	-	-	-	-	-	-	-	698 880
14-39-25	BRACKET, Tube (use with 1, 2, 3, 7, 8, 13, 14)	-	1	1	-	1	1	1	-	-	-	1	-	1	-	*	*	*	2	* 651 194
	HOLDER, Tube (use with 4, 5, 6)	-	-	1	-	-	-	-	-	-	-	-	-	-	-	-	-	-	-	698 882
	BRACKET, Tube (use with 9, 10) (use with 11, 12, 15)	-	-	-	-	-	-	1	1	1	-	1	-	1	-	-	-	-	-	861 155
	Screw, No. 8-32 x 5/16" (wire clamp)	-	1	1	-	1	1	1	-	-	-	1	-	1	-	1	1	1	1	155 028
	Screw, No. 8-32 x 5/8" (wire clamp)	-	-	-	-	-	-	1	1	1	-	1	-	1	-	-	-	-	-	131 974
	Screw, No. 10-32 x 3/8" (wire clamp)	-	-	1	-	-	-	-	-	-	-	-	-	-	-	-	-	-	-	132 105
	Screw, No. 8-32 x 5/16" (bracket)	-	1	1	-	1	1	1	-	-	-	1	-	1	-	1	1	1	1	155 028
	Screw, No. 8-32 x 5/8" (bracket)	-	-	-	-	-	-	1	1	1	-	1	-	1	-	-	-	-	-	131 974
	Washer, lock	-	-	1	-	-	-	-	-	-	-	-	-	-	-	-	-	-	-	120 217
14-39-29	WASHER, Shaft Dust Seal Retaining (use with 11, 12)	-	-	-	-	-	-	-	-	-	-	-	-	-	1	1	1	-	-	1072 983
14-39-31	SEAL, Shaft Dust (use with 11, 12)	-	-	-	-	-	-	-	-	-	-	-	-	-	1	1	1	-	-	1072 988
14-39-32	SHAFT, Stub (use with 9, 10)	-	-	-	-	-	-	1	1	1	-	1	-	1	-	-	-	-	-	861 144
CARBURETOR FLOAT																				
14-40-1	FLOAT, w/LEVER (use with 1, 2, 3, 7, 8, 9, 10, 13, 14)	-	1	1	-	1	1	1	1	1	1	1	1	1	*	*	*	2	* 645 636	
	(use with 4, 5, 6)	-	-	1	-	-	-	-	-	-	-	-	-	-	-	-	-	-	-	869 685
	(use with 11, 12)	-	-	-	-	-	-	-	-	-	-	-	-	-	1	1	1	-	-	963 793
	(use with 16)	4	-	-	-	-	-	-	-	-	-	-	-	-	*	*	*	2	⊠1330 882	
	Pin, stght.	-	-	1	-	-	-	-	-	-	-	-	-	-	-	-	-	-	-	103 694
14-40-4	PIN, Lever (use with 1, 2, 3, 7, 8, 10, 11, 12, 13, 14, 15, 16)	-	1	1	-	1	1	1	1	1	1	1	1	*	1	*	*	2	* 651 186	
	Lever, w/PLUG (use with 9)	-	-	-	-	-	-	1	1	1	-	1	-	1	-	-	-	-	-	645 638

★ Indicates use as required. Prices and specifications subject to change without notice.
 ⊠ Indicates parts not listed in any previous parts books.
 Series No. (1 indicates B-1 Series) (2 indicates B-2 Series) (3 indicates B-3 Series) (4 indicates B-4 Series)
 Where no Series No. is shown part is for B-1, B-2, B-3 and B-4 Series. Printed in U.S.A.
 Sept. 30, 1953 Supersedes Dec. 31, 1953. Page 14-16 * Indicates change or addition.

CODE	PART NAME AND DESCRIPTION	SERIES NO.	MODEL CODES														PART NO.			
			B	C	D	F	G	H & HH	FM	GM	HM & HHM	J	JM	K	KM	R		T	V	Y
CARBURETOR FLOAT - Cont'd																				
14-40-5	RETAINER, Lever Pin (use with 1, 2, 3, 7, 8, 10, 11, 12, 13, 14, 15, 16)	-	1	1	-	1	1	1	1	1	1	1	1	*	1	*	*	*	2	* 651 197
14-40-7	NEEDLE, w/Needle SEAT (use with 1, 2, 3, 7, 8, 9, 10, 11, 12)	-	1	1	-	1	1	1	1	1	1	1	1	1	1	*	*	*	2	861 134
	VALVE, w/Valve SEAT (use with 4, 5, 6)	-	-	-	1	-	-	-	-	-	-	-	-	-	-	-	-	-	-	957 325
	NEEDLE, w/Needle SEAT (use with 13, 14)	-	1	1	-	-	-	-	-	-	-	-	-	-	-	-	-	-	2	*1404 577
	NEEDLE, w/Needle SEAT (use with 15, 16)	4	-	-	-	-	-	-	-	-	-	-	-	2	-	*	*	*	2	Ⓜ1539 152
CARBURETOR PUMP																				
14-41-3	ROD, Plunger, w/PISTON (use with 1, 2, 8, 9, 10, 13, 14, 15, 16)	-	1	1	-	1	1	1	1	1	1	1	1	*	1	*	*	*	2	* 697 709
	PISTON, w/STEM (use with 4, 5, 6)	-	-	-	1	-	-	-	-	-	-	-	-	-	-	-	-	-	-	1312 284
	ROD, w/PISTON (use with 11, 12)	-	-	-	-	-	-	-	-	-	-	-	-	-	-	1	1	1	-	1138 702
14-41-6	PLATE, w/ROD (use with 9, 10)	-	-	-	-	-	-	1	1	1	-	1	-	1	-	-	-	-	-	862 318
	Washer, lock	-	-	-	-	-	-	1	1	1	-	1	-	1	-	-	-	-	-	120 380
14-41-7	LINK, Operating (use with 1, 2, 3, 7, 8, 13, 14, 15, 16)	-	1	1	-	1	1	1	-	-	-	1	-	*	-	*	*	*	*	* 689 489
	w/CLIP (use with 4, 5, 6)	-	-	-	1	-	-	-	-	-	-	-	-	-	-	-	-	-	-	1121 121
14-41-8	LINK, Connector (use with 1, 2, 3, 7, 8, 13, 15, 16)	-	1	1	-	1	1	1	-	-	-	1	-	*	-	*	*	*	2	* 697 710
	ROD (use with 4, 5, 6)	-	-	-	1	-	-	-	-	-	-	-	-	-	-	-	-	-	-	861 131
	LINK (use with 9, 10)	-	-	-	-	-	-	1	1	1	-	1	-	1	-	-	-	-	-	862 308
14-41-9	ARM (use with 9, 10)	-	-	-	-	-	-	1	1	1	-	1	-	1	-	-	-	-	-	861 151
14-41-10	COLLAR (use with 9, 10)	-	-	-	-	-	-	1	1	1	-	1	-	1	-	-	-	-	-	861 149
14-41-11	PIN, Collar (use with 9, 10)	-	-	-	-	-	-	1	1	1	-	1	-	1	-	-	-	-	-	862 315
14-41-12	SLEEVE (use with 9, 10)	-	-	-	-	-	-	1	1	1	-	1	-	1	-	-	-	-	-	861 150
14-41-14	PLATE, Link Cover (use with 9, 10)	-	-	-	-	-	-	1	1	1	-	1	-	1	-	-	-	-	-	862 306
14-41-15	CAGE, Valve (use with 9, 10)	-	-	-	-	-	-	1	1	1	-	1	-	1	-	-	-	-	-	862 313
14-41-16	RETAINER, Spring (use with 1, 2, 3, 7, 14, 15)	-	1	1	-	1	1	1	-	-	-	1	-	*	-	1	-	-	-	* 699 839
14-41-17	RING, Retainer (use with 1, 2, 3, 7, 8, 11, 12, 13, 14, 15, 16)	-	1	1	-	1	1	1	-	-	-	1	-	*	-	*	*	*	2	* 678 606
14-41-18	VALVE, Pump Check (use with 4, 5, 6)	-	-	-	1	-	-	-	-	-	-	-	-	-	-	-	-	-	-	645 635
	CAGE, Check Valve (use with 9, 10)	-	-	-	-	-	-	1	1	1	-	1	-	1	-	-	-	-	-	645 661
14-41-20	SCREEN, Strainer (use with 4, 5, 6)	-	-	-	1	-	-	-	-	-	-	-	-	-	-	-	-	-	-	698 847
14-41-21	CLIP, Strainer Screen Spring (use with 4, 5, 6)	-	-	-	1	-	-	-	-	-	-	-	-	-	-	-	-	-	-	698 848
14-41-22	LEVER (use with 4, 5, 6)	-	-	-	1	-	-	-	-	-	-	-	-	-	-	-	-	-	-	698 841
	Nut	-	-	-	1	-	-	-	-	-	-	-	-	-	-	-	-	-	-	120 614
	Washer, lock	-	-	-	1	-	-	-	-	-	-	-	-	-	-	-	-	-	-	120 217
14-41-28	PIN, Stem Cotter (use with 5, 6)	-	-	-	1	-	-	-	-	-	-	-	-	-	-	-	-	-	-	653 414
14-41-33	RETAINER, Link Packing (use with 9, 10)	-	-	-	-	-	-	1	1	1	-	1	-	1	-	-	-	-	-	862 305
	Screw, No. 8-32 x 5/16"	-	-	-	-	-	-	1	1	1	-	1	-	1	-	-	-	-	-	155 028
	Washer, lock	-	-	-	-	-	-	1	1	1	-	1	-	1	-	-	-	-	-	121 841
14-41-40	SPRING, Operating Link Pin (use with 1, 2, 3, 7, 8, 13, 14, 16)	-	1	1	-	1	1	1	-	-	-	1	-	1	-	*	*	*	2	* 645 669
	CLIP, Link (use with 4, 5, 6)	-	-	-	1	-	-	-	-	-	-	-	-	-	-	-	-	-	-	1121 122

★ Indicates use as required.

Ⓜ Indicates parts not listed in any previous parts books.

Series No. (1 indicates B-1 Series) (2 indicates B-2 Series) (3 indicates B-3 Series) (4 indicates B-4 Series)

Where no Series No. is shown part is for B-1, B-2, B-3 and B-4 Series.

* Indicates change or addition.

Prices and specifications subject to change without notice.

Printed in U.S.A.

CODE	PART NAME AND DESCRIPTION	SERIES NO.	MODEL CODES													PART NO.			
			B	C	D	F	G	H & HH	FM	GM	HM & HHM	J	JM	K	KM		R	T	V
CARBURETOR PUMP - Cont'd																			
14-41-50	CLIP, Pump Connecting Rod Hair Pin (use with 15)	4	-	-	-	-	-	-	-	-	-	-	-	2	-	-	-	-	* 645 669
CARBURETOR PUMP PISTON																			
14-42-3	PISTON (use with 9)	-	-	-	-	-	-	-	1	1	1	-	1	-	1	-	-	-	862 317
CARBURETOR STEP-UP																			
14-43-1	CAGE, Valve (use with 9, 10)	-	-	-	-	-	-	1	1	1	-	1	-	1	-	-	-	-	862 314
14-43-3	PLATE, Piston, w/ROD (use with 1, 2, 3, 7, 8, 13, 14, 15, 16)	-	1	1	-	1	1	1	-	-	-	1	-	*	-	*	*	*	2 * 689 493
	PISTON, Step-Up (use with 4, 5, 6)	-	-	-	1	-	-	-	-	-	-	-	-	-	-	-	-	-	645 621
	PLATE, Piston, w/ROD (use with 11, 12)	-	-	-	-	-	-	-	-	-	-	-	-	-	-	1	1	1	963 806
14-43-4	ROD, Push (use with 11, 12)	-	-	-	-	-	-	1	1	1	-	1	-	1	-	-	-	-	645 628
CARBURETOR TUBES																			
14-44-1	TUBE, Idle Orifice, w/PLUG (use with 1, 15, 16)	-	1	1	-	-	-	-	-	-	-	-	2	-	*	*	*	2	* 862 322
	(use with 2, 3, 7, 8, 13)	-	1	1	-	1	1	1	-	-	-	1	-	1	-	*	*	*	2 * 689 491
	(use with 4, 5, 6)	-	-	-	1	-	-	-	-	-	-	-	-	-	-	-	-	-	698 842
	(use with 11, 12)	-	-	-	-	-	-	-	-	-	-	-	-	1	1	1	-	-	963 801
14-44-2	TUBE, Idle Orifice (use with 9, 10)	-	-	-	-	-	-	1	1	1	-	1	-	1	-	-	-	-	645 644
14-44-3	TUBE, Main Vent, w/PLUG (use with 1, 2, 3, 14)	-	1	1	-	-	-	-	-	-	-	-	-	-	-	-	-	-	* 675 666
	(use with 7, 8, 13, 15, 16)	-	-	-	1	1	1	-	-	-	1	-	*	-	*	*	*	2 * 675 741	
	Body Vent (use with 9, 10)	-	-	-	-	-	-	1	1	1	-	1	-	1	-	-	-	-	862 310
	Main Vent, w/PLUG (use with 11, 12)	-	-	-	-	-	-	-	-	-	-	-	-	1	1	1	-	-	1073 089
14-44-5	TUBE, Idle Passage (use with 9, 10)	-	-	-	-	-	-	1	1	1	-	1	-	1	-	-	-	-	645 643
CARBURETOR IDLING PARTS																			
14-45-1	SCREW, Adjusting (use with 1, 2, 3, 7, 8, 11, 12, 13, 14, 15)	-	1	1	-	1	1	1	-	-	-	1	-	1	-	*	*	*	2 * 645 639
	VALVE, Idle Needle (use with 4, 5, 6)	-	-	-	1	-	-	-	-	-	-	-	-	-	-	-	-	-	676 115
	SCREW, Adjusting (use with 9, 10)	-	-	-	-	-	-	1	1	1	-	1	-	1	-	-	-	-	645 640
CARBURETOR VACUUM ECONOMIZER																			
14-46-1	PISTON, Power Vacuum (use with 4, 5, 6)	-	-	-	1	-	-	-	-	-	-	-	-	-	-	-	-	-	698 891
CARBURETOR AIR HORN																			
14-47-1	AIR HORN (use with 1, 7)	-	1	1	-	1	1	1	-	-	-	1	-	1	-	-	-	-	1313 712
	(use with 2)	-	1	1	-	-	-	-	-	-	-	-	-	-	-	-	-	-	1318 514
	(use with 3)	-	1	1	-	-	-	-	-	-	-	-	-	-	-	-	-	-	1322 745
	(use with 4)	-	-	-	1	-	-	-	-	-	-	-	-	-	-	-	-	-	957 334
	w/VALVE (use with 6)	-	-	-	1	-	-	-	-	-	-	-	-	-	-	-	-	-	1314 518
	(use with 8, 13)	-	-	-	1	1	1	-	-	-	1	-	1	-	*	*	*	2 * 1318 516	
	(use with 11)	-	-	-	-	-	-	-	-	-	-	-	-	1	-	-	-	-	1190 541

* Indicates use as required.

Prices and specifications subject to change without notice.

El Indicates parts not listed in any previous parts books.

Series No. (1 indicates B-1 Series) (2 indicates B-2 Series) (3 indicates B-3 Series) (4 indicates B-4 Series)

Where no Series No. is shown part is for B-1, B-2, B-3 and B-4 Series.

Printed in U.S.A.

CODE	PART NAME AND DESCRIPTION	SERIES NO.	MODEL CODES													PART NO.				
			B	C	D	F	G	H & HH	FM	GM	HM & HHM	J	JM	K	KM		R	T	V	Y
CARBURETOR AIR HORN - Cont'd																				
14-47-1	AIR HORN (use with 12)	-	-	-	-	-	-	-	-	-	-	-	-	-	-	-	1	1	-	1141 757
	(use with 14)	4	1	1	-	-	-	-	-	-	-	-	-	-	-	-	-	-	-	⊠1553 080
	(use with 15, 16)	4	-	-	-	-	-	-	-	-	-	-	2	-	-	-	-	-	-	⊠1404 600
14-47-3	TUBE, Vent (use with 4, 5, 6)	-	-	-	1	-	-	-	-	-	-	-	-	-	-	-	-	-	-	698 863
CARBURETOR MAIN BODY																				
14-49-1	BODY (use with 4)	-	-	-	1	-	-	-	-	-	-	-	-	-	-	-	-	-	-	957 326
	(use with 5, 6)	-	-	-	1	-	-	-	-	-	-	-	-	-	-	-	-	-	-	1318 522
CARBURETOR DASH POT																				
14-50-1	ROD, w/PLUNGER (use with 3)	-	1	1	-	-	-	-	-	-	-	-	-	-	-	-	-	-	-	871 999
	PISTON, w/STEM (use with 6)	-	-	-	1	-	-	-	-	-	-	-	-	-	-	-	-	-	-	869 688
	PLUNGER and ROD, (use with 14)	4	1	1	-	-	-	-	-	-	-	-	-	-	-	-	-	-	-	* 952 624
14-50-2	CLIP and SPRING and NUT PACKAGE (dash pot rod) (use with 6)	-	-	-	1	-	-	-	-	-	-	-	-	-	-	-	-	-	-	1141 759
14-50-3	LEVER, Control (use with 6)	-	-	-	1	-	-	-	-	-	-	-	-	-	-	-	-	-	-	869 693
14-50-4	LIFTER (use with 3, 14)	-	1	1	-	-	-	-	-	-	-	-	-	-	-	-	-	-	-	*1322 726
14-50-6	PIN, to Lifter Link (use with 14)	4	1	1	-	-	-	-	-	-	-	-	-	-	-	-	-	-	-	* 952 635
14-50-7	ROD (use with 6)	-	-	-	1	-	-	-	-	-	-	-	-	-	-	-	-	-	-	953 825
14-50-9	PIN, Stem Cotter (use with 6)	-	-	-	1	-	-	-	-	-	-	-	-	-	-	-	-	-	-	653 414
14-50-10	SEAL (use with 6)	-	-	-	1	-	-	-	-	-	-	-	-	-	-	-	-	-	-	1138 694
14-50-11	VALVE, Check (use with 6)	-	-	-	1	-	-	-	-	-	-	-	-	-	-	-	-	-	-	645 635
	CAGE, Valve (use with 14)	4	1	1	-	-	-	-	-	-	-	-	-	-	-	-	-	-	-	⊠1321 675
CARBURETOR SWITCH																				
14-51-1	PLATE, Piston Contact (use with 14)	4	1	1	-	-	-	-	-	-	-	-	-	-	-	-	-	-	-	⊠1325 391
14-51-4	WASHER, Push Rod Plain (use with 14)	4	1	1	-	-	-	-	-	-	-	-	-	-	-	-	-	-	-	* 870 854
14-51-5	WASHER, Push Rod Seal (use with 14)	4	1	1	-	-	-	-	-	-	-	-	-	-	-	-	-	-	-	* 870 855
14-51-6	SPRING, Push Rod and Sleeve (use with 14)	4	1	1	-	-	-	-	-	-	-	-	-	-	-	-	-	-	-	*1123 969
14-51-8	CLIP, Terminal Block and Retainer (use with 14)	4	1	1	-	-	-	-	-	-	-	-	-	-	-	-	-	-	-	⊠1321 679
14-51-9	PLATE, Terminal End (use with 14)	4	1	1	-	-	-	-	-	-	-	-	-	-	-	-	-	-	-	* 870 862
14-51-10	CLIP, Cable (use with 14)	4	1	1	-	-	-	-	-	-	-	-	-	-	-	-	-	-	-	* 684 158
14-51-11	SPRING, Push Rod Sleeve (use with 14)	4	1	1	-	-	-	-	-	-	-	-	-	-	-	-	-	-	-	⊠1321 670
14-51-13	SPRING, Piston (use with 14)	4	1	1	-	-	-	-	-	-	-	-	-	-	-	-	-	-	-	⊠1553 081
14-51-16	SCREW and WASHER, Contact Plate (use with 14)	4	1	1	-	-	-	-	-	-	-	-	-	-	-	-	-	-	-	⊠1317 524
CARBURETOR VALVE CAGE PLUNGER																				
14-52-1	ROD and PLATE (use with 14)	4	1	1	-	-	-	-	-	-	-	-	-	-	-	-	-	-	-	⊠1321 669
CARBURETOR ANTI-STALL MAGNETIC LOCK-OUT																				
14-53-1	ELECTRO MAGNET, w/HOUSING (use with 14)	4	1	1	-	-	-	-	-	-	-	-	-	-	-	-	-	-	-	* 871 743

★Indicates use as required.

⊠Indicates parts not listed in any previous parts books.

Series No. (1 indicates B-1 Series) (2 indicates B-2 Series) (3 indicates B-3 Series) (4 indicates B-4 Series)

Where no Series No. is shown part is for B-1, B-2, B-3 and B-4 Series.

* Indicates change or addition.

Prices and specifications subject to change without notice.

CODE	PART NAME AND DESCRIPTION	SERIES NO.	MODEL CODES													PART NO.				
			B	C	D	F	G	H & HH	FM	GM	HM & HHM	J	JM	K	KM		R	T	V	Y
CARBURETOR ANTI-STALL MAGNETIC LOCKOUT - Cont'd																				
14-53-2	SCREW, Magnet and Housing (use with 14)	4	1	1	-	-	-	-	-	-	-	-	-	-	-	-	-	-	-	* 870 861
CARBURETOR SCREWS, STUDS, NUTS, WASHERS ETC.																				
14-54-3	SCREW, Throttle Lever Adjusting (use with 1, 7)	-	1	1	-	1	1	1	-	-	-	1	-	1	-	1	-	-	-	957 802
	(use with 2, 3, 8, 13, 14, 15, 16)	-	1	1	-	1	1	1	-	-	-	1	-	*	-	*	*	*	2	*1317 521
	Idle Adjusting (use with 4, 5, 6)	-	-	-	1	-	-	-	-	-	-	-	-	-	-	-	-	-	-	132 051
	Throttle Lever Adjusting (use with 9, 10)	-	-	-	-	-	-	-	1	1	1	-	1	-	1	-	-	-	-	651 201
	(use with 11, 12)	-	-	-	-	-	-	-	-	-	-	-	-	-	1	1	1	-	-	132 056
14-54-4	SCREW, Throttle Valve (use with 1, 2, 3, 7, 8, 13, 15, 16)	-	2	2	-	2	2	2	-	-	-	2	-	4	-	*	*	*	4	* 678 576
	(use with 4, 5, 6)	-	-	-	2	-	-	-	-	-	-	-	-	-	-	-	-	-	-	1141 767
	(use with 9, 10)	-	-	-	-	-	-	2	2	2	-	2	-	2	-	-	-	-	-	1141 767
	(use with 11, 12)	-	-	-	-	-	-	-	-	-	-	-	-	-	2	2	2	-	-	1072 981
	Washer, lock (use with 11, 12)	-	-	-	-	-	-	-	-	-	-	-	-	-	2	2	2	-	-	121 841
14-54-10	WASHER, Throttle Lever Spring (use with 1, 2, 3, 7)	-	1	1	-	1	1	1	-	-	-	1	-	1	-	1	-	-	-	856 508
14-54-13	SCREW, Choke Lever Wire Clamp	-	-	-	1	-	-	-	-	-	-	-	-	-	-	-	-	-	-	677 655
14-54-15	SCREW, Choke Valve (use with 1, 2, 3, 7, 8, 13, 16)	-	2	2	-	2	2	2	-	-	-	2	-	2	-	*	*	*	4	* 678 576
	(use with 4, 5, 6)	-	-	-	2	-	-	-	-	-	-	-	-	-	-	-	-	-	-	698 845
	(use with 9, 10)	-	-	-	-	-	-	2	2	2	-	2	-	2	-	-	-	-	-	1141 767
	(use with 11, 12)	-	-	-	-	-	-	-	-	-	-	-	-	-	2	2	2	-	-	1072 973
14-54-22	NUT, Choke Stem Spacer (use with 4, 5, 6)	-	-	-	1	-	-	-	-	-	-	-	-	-	-	-	-	-	-	698 837
14-54-23	WASHER, Choke Stem Spacer (use with 4, 5, 6)	-	-	-	1	-	-	-	-	-	-	-	-	-	-	-	-	-	-	862 134
14-54-25	SCREW, Choke Tube Clamp (use with 1, 2, 3, 7, 8, 13)	-	1	1	-	1	1	1	-	-	-	1	-	1	-	*	*	*	2	132 688
14-54-26	NUT, Choke Tube Clamp Screw (use with 1, 2, 3, 7, 8, 13, 14)	-	1	1	-	1	1	1	-	-	-	1	-	1	-	*	*	*	2	* 665 404
	(use with 16)	4	-	-	-	-	-	-	-	-	-	-	-	-	-	*	*	*	2	* 651 202
14-54-28	SCREW, Choke Tube Holder, w/WASHER (use with 4, 5, 6)	-	-	-	1	-	-	-	-	-	-	-	-	-	-	-	-	-	-	1314 520
	Choke Bracket Pilot (use with 11, 12)	-	-	-	-	-	-	-	-	-	-	-	-	-	1	1	1	-	-	1192 059
14-54-32	SCREW, Throttle Lever Dog Set (use with 9, 10)	-	-	-	-	-	-	1	1	1	-	1	-	1	-	-	-	-	-	1193 218
14-54-33	WASHER, Float Lever Pin Plug (use with 9, 10)	-	-	-	-	-	-	1	1	1	-	1	-	1	-	-	-	-	-	862 309
14-54-47	SCREW, Pump Arm Headless (use with 9, 10)	-	-	-	-	-	-	1	1	1	-	1	-	1	-	-	-	-	-	862 307
14-54-48	SCREW, Pump Link (use with 9, 10)	-	-	-	-	-	-	1	1	1	-	1	-	1	-	-	-	-	-	645 604
	Washer, lock	-	-	-	-	-	-	1	1	1	-	1	-	1	-	-	-	-	-	121 841
14-54-65	SCREW, Idle Adjusting (use with 9, 10)	-	-	-	-	-	-	1	1	1	-	1	-	1	-	-	-	-	-	645 640
14-54-72	SCREW, Air Horn, w/WASHER (use with 1, 2, 3, 7, 8, 13, 15, 16)	-	4	4	-	4	4	4	-	-	-	4	-	8	-	*	*	*	8	* 952 584
	(No. 10-24 x 7/8") (use with 4)	-	-	-	5	-	-	-	-	-	-	-	-	-	-	-	-	-	-	132 056
	(use with 5, 6)	-	-	-	5	-	-	-	-	-	-	-	-	-	-	-	-	-	-	1138 698
	(use with 11, 12)	-	-	-	-	-	-	-	-	-	-	-	-	-	3	3	3	-	-	952 584
	(use with 11, 12)	-	-	-	-	-	-	-	-	-	-	-	-	-	2	2	2	-	-	1073 084

★ Indicates use as required.

⊠ Indicates parts not listed in any previous parts books.

Series No. (1 indicates B-1 Series) (2 indicates B-2 Series) (3 indicates B-3 Series) (4 indicates B-4 Series)

Where no Series No. is shown part is for B-1, B-2, B-3 and B-4 Series.

Sept. 30, 1953.

Prices and specifications subject to change without notice.

CODE	PART NAME AND DESCRIPTION	SERIES NO.	MODEL CODES														PART NO.			
			B	C	D	F	G	H & HH	FM	GM	HM & HHM	J	JM	K	KM	R		T	V	Y
CARBURETOR SCREWS, STUDS, NUTS, WASHERS, ETC. - Cont'd																				
14-54-74	SCREW, Dash Pot Adjusting (use with 3)	-	1	1	-	-	-	-	-	-	-	-	-	-	-	-	-	-	-	952 628
	Dash Pot Control Lever Adjusting (use with 6)	-	-	-	1	-	-	-	-	-	-	-	-	-	-	-	-	-	-	1116 311
14-54-78	SCREW, w/WASHER (body to housing) (use with 1, 2, 3, 7, 8, 13, 14, 15, 16)	-	★	★	-	★	★	★	-	-	-	★	-	★	-	★	★	★	6	* 952 583
	(body to housing) (use with 5, 6)	-	-	-	3	-	-	-	-	-	-	-	-	-	-	-	-	-	-	1138 699
	(body to housing) (use with 10)	-	-	-	-	-	-	-	3	3	3	-	3	-	3	-	-	-	-	188 079
	Throttle Shaft Housing, w/WASHER (use with 11, 12)	-	-	-	-	-	-	-	-	-	-	-	-	-	3	3	3	-	-	1075 637
14-54-96	SCREW, Throttle Shaft Dog (use with 11, 12)	-	-	-	-	-	-	-	-	-	-	-	-	-	1	1	1	-	-	1072 980
14-54-130	SCREW, Throttle Shaft Loose Arm (use with 3)	-	1	1	-	-	-	-	-	-	-	-	-	-	-	-	-	-	-	645 604
CHOKE CONTROL																				
14-63-1	CHOKE	-	1	1	1	1	1	1	1	1	1	1	1	1	1	1	1	1	1	1261 045
14-63-2	STEM, w/WIRE	-	1	1	1	1	1	1	1	1	1	1	1	1	1	1	1	1	1	1503 300
14-63-5	HOUSING, Wire Extension (12" long)	-	-	-	-	-	-	-	-	-	-	-	-	-	1	1	1	1	1	1270 521
14-63-21	NUT, Mounting	-	1	1	1	1	1	1	1	1	1	1	1	1	1	1	1	1	1	1189 496

NOTES

★ Indicates use as required. Prices and specifications subject to change without notice.
 ☐ Indicates parts not listed in any previous parts books.
 Series No. (1 indicates B-1 Series) (2 indicates B-2 Series) (3 indicates B-3 Series) (4 indicates B-4 Series)
 Where no Series No. is shown part is for B-1, B-2, B-3 and B-4 Series.
 * Indicates change or addition. Page 14-19B Printed in U.S.A. Sept. 30, 1953.

CODE	PART NAME AND DESCRIPTION	SERIES NO.	MODEL CODES													PART NO.			
			B	C	D	F	G	H & HH	FM	GM	HM & HHM	J	JM	K	KM		R	T	V
CHOKE CONTROL - Cont'd																			
14-63-22	WASHER, Mounting Nut	-	1	1	1	1	1	1	1	1	1	1	1	1	1	1	1	1	1194 598
14-63-24	KNOB.	-	1	1	1	1	1	1	1	1	1	1	1	1	1	1	1	1	1191 537
14-63-61	STOP, Spring	-	-	-	-	-	-	-	-	-	-	-	-	-	3	3	3	3	‡ 932 143
14-63-62	SCREW, Spring Stop	-	-	-	-	-	-	-	-	-	-	-	-	-	3	3	3	3	‡ 988 098
14-63-63	SPRING	-	-	-	-	-	-	-	-	-	-	-	-	-	1	1	1	1	1267 191
FUEL FILTER																			
14-67-1	FILTER, Complete	1	1	1	1	1	1	1	1	1	1	1	1	1	-	-	-	-	870 449
	(w/inlet and outlet 1/8" pipe outlet 1/8" pipe tap thread)	-	1	1	1	1	1	1	1	1	1	1	1	1	★	★	★	★	1402 141
	(w/inlet 1/2" x 20 tap and tap thread)	1, 2, 3	1	1	1	1	1	1	1	1	1	1	1	1	★	★	★	★	*1402 139
		4	-	-	-	-	-	-	-	-	-	-	-	-	2	2	2	2	1502 618
14-67-3	HEAD (used with 870 449 filter)	1	1	1	1	1	1	1	1	-	1	1	1	1	-	-	-	-	860 289
14-67-4	GASKET, Head (used with 870 449 filter)	1	1	1	1	1	1	1	1	-	1	1	1	1	-	-	-	-	860 291
	Bowl	-	1	1	1	1	1	1	1	1	1	1	1	1	★	★	★	★	1320 527
14-67-5	ELEMENT (used with 870 449 filter)	1	1	1	1	1	1	1	1	-	1	1	1	1	-	-	-	-	1122 541
	FILTER or ELEMENT (used with 1402 139 and 1402 141 filters)	-	1	1	1	1	1	1	1	1	1	1	1	1	★	★	★	★	1138 687
14-67-6	BOWL(used with 870 449 filter)	1	1	1	1	1	1	1	1	-	1	1	1	1	-	-	-	-	860 290
	(w/flat sealing surface and rounded type threads)	-	1	1	1	1	1	1	1	1	1	1	1	1	★	★	★	★	1138 684
	(w/chamfered sealing surface and flat type threads)	-	1	1	1	1	1	1	1	1	1	1	1	1	★	★	★	★	1322 321
	(no threads)	-	1	1	1	1	1	1	1	1	1	1	1	1	★	★	★	★	1402 615
14-67-7	BAIL(used with 870 449 filter)	1	1	1	1	1	1	1	1	-	1	1	1	1	-	-	-	-	865 658
	RETAINER (wire type)	-	1	1	1	1	1	1	1	1	1	1	1	1	★	★	★	★	1316 416
	(with bottom screw)	-	1	1	1	1	1	1	1	1	1	1	1	1	★	★	★	★	1402 617
	(strip type)	-	1	1	1	1	1	1	1	1	1	1	1	1	★	★	★	★	1138 686
14-67-23	SPRING (retainer)	-	1	1	1	1	1	1	1	1	1	1	1	1	★	★	★	★	1142 993
GOVERNOR																			
Note: To insure against delay in shipment of governors DO NOT send orders to Chrysler Corporation. Enter orders for governors direct with the following: Handy Division of King-Seeley Corporation, Ann Arbor, Michigan, U. S. A.																			
14-68-3	GASKET, to Manifold Flange	-	★	★	★	★	★	★	★	★	★	★	★	★	★	★	★	★	* 637 191
	(to manifold flange)	-	★	★	★	★	★	★	★	★	★	★	★	★	★	★	★	★	* 562 221
	(to carburetor flange)	-	★	★	★	★	★	★	★	★	★	★	★	★	★	★	★	★	* 637 191
	(to carburetor flange)	-	★	★	★	★	★	★	★	★	★	★	★	★	★	★	★	★	* 562 221
14-68-4	TUBE (carburetor to governor vacuum)	-	1	1	1	1	1	1	-	-	-	1	-	1	-	-	-	-	861 540
	Carburetor to Governor Vacuum	-	-	-	-	-	-	-	1	1	1	-	1	-	1	-	-	-	861 539
14-68-12	PLUG, Carburetor Governor Adjusting Screw Seal, w/GASKET	1	-	-	-	-	-	-	-	-	-	-	-	-	1	1	1	-	1070 743
14-68-13	PLUG, Carburetor Governor Secondary Adjusting Screw Seal, w/GASKET	1	-	-	-	-	-	-	-	-	-	-	-	-	1	1	1	-	1072 968
14-68-14	SEAL, Carburetor Governor Primary Spring Adjusting Nut	1	-	-	-	-	-	-	-	-	-	-	-	-	1	1	1	-	1139 355
14-68-18	SCREW, Carburetor Governor Housing Cover, w/WASHER	1	-	-	-	-	-	-	-	-	-	-	-	-	6	6	6	-	1073 096
14-68-20	SEAL, w/WIRE	-	1	1	1	1	1	1	1	1	1	1	1	1	1	1	1	1	1067 209
FUEL GAUGE TANK UNIT																			
14-72-1	GAUGE	1, 2, 3	1	1	1	1	1	1	-	-	-	1	-	1	-	-	-	-	1260 734
		4	1	1	1	1	1	1	-	-	-	-	-	-	-	-	-	-	1392 011
		4	-	-	-	1	1	1	-	-	-	1	1	-	-	-	-	-	1260 734

★ Indicates use as required.

☐ Indicates parts not listed in any previous parts books.

Series No. (1 indicates B-1 Series) (2 indicates B-2 Series) (3 indicates B-3 Series) (4 indicates B-4 Series)

Where no Series No. is shown part is for B-1, B-2, B-3 and B-4 Series.

April 6, 1953 Supersedes Dec. 31, 1952.

Prices and specifications subject to change without notice.

Printed in U.S.A.

* Indicates change or addition.

CODE	PART NAME AND DESCRIPTION	SERIES NO.	MODEL CODES													PART NO.		
			B	C	D	F	G	H & HH	FM	GM	HM & HHM	J	JM	K	KM		R	T
FUEL GAUGE TANK UNIT - Cont'd																		
14-72-1	GAUGE																	
	(18 gallon tank) (screw attaching)	-	-	-	-	★	★	★	★	★	★	★	★	★	★	-	-	-
	(18 gallon tank)(retainer attaching).	3,4	-	-	-	★	★	★	★	★	★	★	★	★	★	-	-	-
	(25 gallon tank) (screw attaching)	-	-	-	-	★	★	★	★	★	★	★	★	★	★	1	1	1
	(25 gallon tank) (retainer attaching)	3,4	-	-	-	★	★	★	-	★	★	★	★	★	★	★	★	★
	(30 gallon tank) (screw attaching)	-	-	-	-	1	1	1	-	-	-	1	-	1	-	1	-	-
	(30 gallon tank) (retainer attaching)	3,4	-	-	-	1	1	1	-	-	-	1	-	1	-	1	-	-
	(40 gallon tank) (screw attaching)	-	-	-	-	-	-	-	-	-	-	-	-	-	-	★	★	★
	(40 gallon tank) (retainer attaching)	3,4	-	-	-	-	-	-	-	-	-	-	-	-	-	★	★	★
	Screw, No. 8-32 x 3/8" (terminal)	-	1	1	1	1	1	1	1	1	1	1	1	1	1	1	1	1
	Washer, lock	-	1	1	1	1	1	1	1	1	1	1	1	1	1	1	1	1
14-72-9	SEAL (rubber) (w/retainer type)	-	1	1	1	★	★	★	★	★	★	★	★	★	★	★	★	★
	GASKET (cork) (w/screw type) . .	-	-	-	-	★	★	★	★	★	★	★	★	★	★	★	★	★
14-72-41	WASHER, Mounting Screw	-	-	-	-	★	★	★	★	★	★	★	★	★	★	★	★	★
14-72-47	RETAINER.	-	1	1	1	★	★	★	★	★	★	★	★	★	★	★	★	★
FUEL PUMP																		
14-73-2	PUMP																	
	(B-2-B and B-2-C up to engine No. T172-5916. B-2-D up to engine No. T176-11040. B-2-F and B-2-G up to engine No. T178-11932. B-2-H and B-2-HH up to engine No. T192-6647. B-2-GM up to engine No. T182-1301. B-2-HM and B-2-HHM up to engine No. T194-1232)	1,2	1	1	1	1	1	1	1	1	1	-	-	-	-	-	-	-
	(B-2-B and B-2-C after engine No. T172-5916. B-2-D after engine No. T176-11040. B-2-F and B-2-G after engine No. T178-11932. B-2-H and B-2-HH after engine No. T192-6647. B-2-GM after engine No. T182-1301. B-2-HM and B-2-HHM after engine No. T194-1232. B-2-J and B-2-K after engine No. T180-8250 B-2-JM and B-2-KM after engine No. T184-1776) . .	2,3,4	1	1	1	1	1	1	-	1	1	1	1	1	1	-	-	-
	(B-2-J and B-2-K up to engine No. T180-8250. B-2-JM and B-2-KM up to engine No. T184-1776.)	2	-	-	-	-	-	-	-	-	-	1	1	1	1	-	-	-
	(vacuum booster type)	-	1	1	1	1	1	1	-	-	-	1	-	1	-	-	-	-
	(B-1-R up to serial No. 81856495 Domestic and 81855863 Export. B-1-T and B-1-V up to serial No. 81790238 Det. Built and 85000590 also used on 85000591, 85000593 thru 85000597 S.L. Built Domestic and 81789584 Export.)	1	-	-	-	-	-	-	-	-	-	-	-	-	-	1	1	1

* Indicates use as required.

Ⓛ Indicates parts not listed in any previous parts books.

Series No. (1 indicates B-1 Series) (2 indicates B-2 Series) (3 indicates B-3 Series) (4 indicates B-4 Series)

Where no Series No. is shown part is for B-1, B-2, B-3 and B-4 Series.

* Indicates change or addition.

Prices and specifications subject to change without notice.

CODE	PART NAME AND DESCRIPTION	SERIES NO.	MODEL CODES													PART NO.				
			B	C	D	F	G	H & HH	FM	GM	HM & HHM	J	JM	K	KM		R	T	V	Y
FUEL PUMP - Cont'd																				
14-73-2	PUMP (B-1-R after serial No. 81856495 Domestic and 81855863 Export. B-1-T and B-1-V after serial No. 81790238 Det. Built and 85000590 except not used on 85000591, 85000593 thru 85000597 S.L. Built Domestic and 81789548 Export.)	-	-	-	-	-	-	-	-	-	-	-	-	-	-	1	1	1	1	⊠1402 323
	Bolt, 5/16"-18 x 1 1/4"	-	2	2	2	2	2	2	2	2	2	2	2	2	2	-	-	-	-	122 027
	Bolt, 5/16"-18 x 1 1/2"	-	-	-	-	-	-	-	-	-	-	-	-	-	-	2	2	2	2	122 040
	Washer, lock	-	2	2	2	2	2	2	2	2	2	2	2	2	2	2	2	2	2	120 214
14-73-4	ELBOW (inlet)	-	-	-	-	-	-	-	-	-	-	-	-	-	1	1	1	-	-	912 506
FUEL PUMPS		1318	995	1318 994		1122 836		⊠1402 323		1312 586		⊠1407 909								
Note: Quantities are one (1) unless otherwise indicated in parentheses																				
14-73-5	DIAPHRAGM REPAIR KIT	1321	275	1321 274		----		⊠1450 160		1321 276		1326 102								
	DIAPHRAGM REPAIR KIT (vacuum section)	----	----	----		----		----		1321 277		----								
14-73-7	ARM REPAIR KIT, Rocker	1321	279	1321 278		----		⊠1450 159		1321 281		1326 103								
FUEL PUMP MOUNTING																				
14-74-1	GASKET	1117	482	1117 482		1125 276		1089 302		688 481		1324 919								
FUEL PUMP BODY																				
14-75-1	BODY	----	----	854 962		1125 279		----		----		----								
14-75-2	OIL SEAL (fuel section)	----	----	----		----		----		699 795		----								
14-75-4	GASKET, Oil Seal (fuel section)	----	----	----		----		----		699 793		----								
FUEL PUMP COVER																				
14-76-1	COVER, Assembly	639	091	----		1075 683		----		699 813		----								
	Screw, No. 10-32 x 5/8" (★)	132	121	132 121		----		132 121		132 121		132 121								
	Screw, No. 32 x 2" (★)	----	----	----		153 524		----		----		----								
	Washer, lock	120	217	120 217		120 217		120 217		120 217		120 217								
14-76-4	AIR DOME	⊠1322	732	⊠1321 683		----		⊠1321 683		----		----								
14-76-5	COVER, Bottom	639	147	----		----		----		----		----								
	Screw, No. 10-32 x 3/8" (3)	132	105	----		----		----		----		----								
14-76-6	GASKET, Bottom Cover	639	148	----		----		----		----		----								
14-76-10	COVER, Pad	----	----	----		1122 838		----		----		----								
	Screw or Bolt, 5/16"-18 x 3/4 (2)	----	----	----		132 325		----		----		----								
	Washer, lock (2)	----	----	----		138 485		----		----		----								
14-76-12	GASKET, Pad Cover	----	----	----		1311 773		----		----		----								
FUEL PUMP DIAPHRAGM																				
14-77-1	DIAPHRAGM	----	----	----		1125 278		----		1316 735		----								
	Nut	120	367	120 367		----		----		----		----								
	Washer, lock	120	380	120 380		----		----		----		----								
14-77-5	SPRING	959	240	668 576		1075 690		1314 516		699 796		----								
14-77-6	RETAINER	----	----	----		699 808		1314 517		699 808		1314 517								
14-77-10	CAP, Spring	639	138	639 138		----		----		----		----								
14-77-13	DIAPHRAGM, Pulsator (3)	----	----	----		1075 682		----		----		----								
14-77-15	PROTECTOR, Upper	699	771	854 961		----		----		----		----								
	Lower	639	113	699 781		----		----		----		----								
14-77-16	WASHER, Alignment	639	115	639 115		----		----		----		----								

★Indicates use as required.

Prices and specifications subject to change without notice.

⊠Indicates parts not listed in any previous parts books.

Series No. (1 indicates B-1 Series) (2 indicates B-2 Series) (3 indicates B-3 Series) (4 indicates B-4 Series)

Where no Series No. is shown part is for B-1, B-2, B-3 and B-4 Series.

December 31, 1952

FUEL PUMPS - Cont'd		1318 995	1318 994	1122 836	11402 323	1312 586	11407 909
FUEL PUMP DIAPHRAGM - Cont'd							
14-77-20	GASKET, Pull Rod	639 123	639 123	----	----	----	----
14-77-22	HAIR, Curled (2 oz.)	----	----	699 779	699 779	699 779	----
14-77-23	RETAINER, Curled Hair	----	----	699 835	699 835	699 819	----
FUEL PUMP VALVE							
14-78-3	GASKET, Plate or Cage (★)	----	----	1075 688	----	----	----
14-78-4	PLUG	639 097	639 098	----	639 098	----	----
14-78-5	GASKET, Plug and Air Dome (2)	639 099	639 100	----	639 100	----	----
14-78-9	SCREW, Retainer	----	----	----	----	----	11400 889
14-78-10	RETAINER (★)	----	----	----	----	699 815	699 815
	PLATE (2)	----	----	1075 689	----	----	----
	Screw, No. 6-32 x 5/16"	----	----	121 839	----	----	----
	Screw, No. 10-32 x 3/8"	----	----	----	----	132 900	----
FUEL PUMP ROCKER ARM							
14-79-1	ARM	----	----	1075 693	----	----	----
14-79-2	PIN	----	----	699 785	699 785	639 130	----
14-79-3	WASHER, Pin	1314 534	1314 534	1314 534	1314 534	1314 534	1314 534
14-79-4	SPRING	639 116	639 116	689 520	689 520	----	----
14-79-5	CAP, Spring	639 138	639 138	----	----	----	----
14-79-7	LINK (2)	639 142	639 143	----	----	----	----
14-79-8	PIN, Link (2)	639 145	639 145	----	----	----	----
14-79-9	BUSHING, Pin	----	----	----	699 786	----	----
14-79-11	CLIP, Link Pin (4)	639 146	639 146	----	----	----	----
14-79-13	SPACER, Link (2)	----	----	699 794	699 794	----	----
14-79-14	WASHER, Spacer	----	----	----	----	699 792	----
14-79-19	SPRING, Primer Lever	----	----	----	1091 089	----	----
14-79-20	CLIP, Primer Lever Spring	----	----	----	76 304	----	----
FUEL PUMP STRAINER							
14-80-1	BOWL and GASKET PACKAGE	1321 282	1321 282	----	1314 543	1141 775	1314 543
14-80-2	SCREEN	639 104	639 104	----	639 104	863 487	639 104
14-80-4	BOWL (glass)	639 106	639 106	----	----	----	----
14-80-5	GASKET, Bowl (cork)	11322 695	11322 695	----	11316 028	1314 539	11316 028
14-80-6	BAIL and SCREW	639 108	639 108	----	639 108	11314 541	1321 681
14-80-7	NUT, Bail Screw	639 109	639 109	----	639 109	----	----
14-80-8	SEAT, Bowl	639 107	639 107	----	639 107	----	----
FUEL PUMP HEAT SHIELD							
14-81-1	SHIELD	1142 157	668 998	1141 324	1141 324	1313 008	1316 587
	Nut	110 330	110 330	110 330	110 330	110 330	110 330
	Washer, lock	120 217	120 217	120 217	120 217	120 217	120 217
14-81-2	STUD	608 138	608 138	322 310	322 310	1317 519	608 138
	Washer, lock	120 217	120 217	120 217	120 217	120 217	120 217
FUEL PUMP VACUUM SECTION							
14-83-3	GASKET, Cover Plate	----	----	----	----	11400 916	----
14-83-6	DIAPHRAGM, w/Pull ROD	----	----	----	----	1316 736	----
14-83-7	SPRING, Diaphragm, Upper	----	----	----	----	1316 739	----
	Lower	----	----	----	----	699 803	----
14-83-15	RETAINER, Oil Seal, Upper	----	----	----	----	699 802	----
	Lower	----	----	----	----	699 804	----
14-83-24	LINK, Right	----	----	----	----	699 789	----
14-83-25	PLATE, Cover	----	----	----	----	1316 738	----
	Bolt, 1/4"-28 x 9/16"	----	----	----	----	123 325	----
14-83-26	SCREEN	----	----	----	----	699 824	----
14-83-36	GASKET, Cover Screw	----	----	----	----	674 311	----
14-83-37	SEAT, Diaphragm Spring	----	----	----	----	699 827	----
14-83-38	RETAINER, Screen	----	----	----	----	699 825	----

★ Indicates use as required.

Prices and specifications subject to change without notice.

□ Indicates parts not listed in any previous parts books.

Series No. (1 indicates B-1 Series) (2 indicates B-2 Series) (3 indicates B-3 Series) (4 indicates B-4 Series)

Where no Series No. is shown part is for B-1, B-2, B-3 and B-4 Series.

CODE	PART NAME AND DESCRIPTION	SERIES NO.	MODEL CODES													PART NO.				
			B	C	D	F	G	H & HH	FM	GM	HM & HHM	J	JM	K	KM		R	T	V	Y
AUTO PULSE FUEL PUMP																				
14-84-1	PUMP, Assembly (auxiliary to be used in conjunction with production pump.)	-	-	-	-	-	-	-	-	-	-	-	-	-	-	-	-	-	1	1270 529
	PUMP and BRACKET PACKAGE, Fuel (6 volt)	-	1	1	1	1	1	1	1	1	1	1	1	1	1	1	1	1	1	1113 103
	(fuel) (12 volt)	-	1	1	1	1	1	1	1	1	1	1	1	1	1	1	1	1	1	1113 104
	Bolt, 1/4"-20 x 3/4" (mountings)	-	2	2	2	2	2	2	2	2	2	2	2	2	2	2	2	2	2	121 887
	Washer, lock	-	2	2	2	2	2	2	2	2	2	2	2	2	2	2	2	2	2	120 380
	Elbow (outlet)	-	1	1	1	1	1	1	1	1	1	1	1	1	1	1	1	1	1	137 422
	Nipple (inlet)	-	1	1	1	1	1	1	1	1	1	1	1	1	1	1	1	1	1	137 406
	Nut (terminal)	-	1	1	1	1	1	1	1	1	1	1	1	1	1	1	1	1	1	120 614
	Washer, lock (terminal)	-	1	1	1	1	1	1	1	1	1	1	1	1	1	1	1	1	1	138 479
14-84-5	BRACKET, Mounting (B-2-B after serial No. 82169490. B-2-D after serial No. 81286066 except not used on 81286200 thru 81286234.)	2, 3, 4	1	-	1	-	-	-	-	-	-	-	-	-	-	-	-	-	-	1270 088
	Bolt, 1/4" -20 x 3/4"	-	2	-	2	-	-	-	-	-	-	-	-	-	-	-	-	-	-	121 887
	Washer, lock	-	2	-	2	-	-	-	-	-	-	-	-	-	-	-	-	-	-	120 380
14-84-17	TUBE (auxiliary fuel pump to fuel tank)	-	1	-	1	1	1	1	-	-	-	1	-	1	-	-	-	-	-	861 811
	(auxiliary fuel pump to fuel tank) (30 gallon tank)	-	-	-	-	1	1	1	-	-	-	1	-	1	-	1	-	-	-	861 833
	(auxiliary fuel pump to fuel tank)	-	-	-	-	-	-	-	1	1	1	-	1	-	1	-	-	-	-	861 828
	(auxiliary fuel pump to fuel tank)	-	-	-	-	-	-	-	-	-	-	-	-	-	1	1	1	-	-	861 830
	(auxiliary fuel pump to fuel tank)	-	-	-	-	-	-	-	-	-	-	-	-	-	-	-	-	1	-	861 821
14-84-18	TUBE (auxiliary fuel pump to fuel tank shut-off tee)	-	-	-	1	1	1	-	-	-	1	-	1	-	1	1	1	-	-	861 825
	(auxiliary fuel pump to fuel tank shut-off tee)	-	-	-	-	-	-	-	1	1	1	-	1	-	1	-	-	-	-	861 813
	(auxiliary fuel pump to fuel tank shut-off tee)	-	-	-	-	-	-	-	-	-	-	-	-	-	-	-	-	1	-	861 814
14-84-20	CABLE, Auxiliary Fuel Pump (specify 86" of 385573 Cable, 2-200393 Terminal, 2-926026 Sleeve)	-	★	★	★	★	★	★	★	★	★	★	★	★	★	★	★	★	★	----
14-84-23	CLIP (cable to dash)	-	★	★	★	★	★	★	★	★	★	★	★	★	★	★	★	★	★	1263 079
FUEL PUMP TUBE AND HOSE																				
14-85-1	TUBE (to carburetor)	1	1	1	-	-	-	-	-	-	-	-	-	-	-	-	-	-	-	861 827
	(to carburetor) (used with 870 449 filter)	1	1	1	-	-	-	-	-	-	-	-	-	-	-	-	-	-	-	861 829
	(to carburetor) (used with 1402 139 and 1402 141 filters)	1	1	1	-	-	-	-	-	-	-	-	-	-	-	-	-	-	-	861 831
	(to carburetor) (w/o governor)	2	1	1	-	-	-	-	-	-	-	-	-	-	-	-	-	-	-	861 830
	(to carburetor) (w/governor)	2	1	1	-	-	-	-	-	-	-	-	-	-	-	-	-	-	-	861 831
	(to carburetor)	3, 4	1	1	1	-	-	-	-	-	-	-	-	-	-	-	-	-	-	861 827
	(to carburetor) (used with 870 449 filter)	1	-	-	1	-	-	-	-	-	-	-	-	-	-	-	-	-	-	861 829
	(to carburetor) (used with 1402 139 and 1402 141 filters)	1	-	-	1	-	-	-	-	-	-	-	-	-	-	-	-	-	-	861 830

★ Indicates use as required.

Prices and specifications subject to change without notice.

☐ Indicates parts not listed in any previous parts books.

Series No. (1 indicates B-1 Series) (2 indicates B-2 Series) (3 indicates B-3 Series) (4 indicates B-4 Series)

Where no Series No. is shown part is for B-1, B-2, B-3 and B-4 Series.

Printed in U.S.A.

CODE	PART NAME AND DESCRIPTION	SERIES NO.	MODEL CODES													PART NO.		
			B	C	D	F	G	H & HH	FM	GM	HM & HHM	J	JM	K	KM		R	T
FUEL PUMP TUBE AND HOSE - Cont'd																		
14-85-1	TUBE																	
	(to carburetor) (w/o governor)	2	-	-	1	-	-	-	-	-	-	-	-	-	-	-	-	-
	(to carburetor) (w/governor)	2	-	-	1	-	-	-	-	-	-	-	-	-	-	-	-	-
	(to carburetor) (used with 870449 filter)	1	-	-	-	1	-	1	-	-	-	-	-	-	-	-	-	-
	(to carburetor) (used with 1402 139 and 1402 141 filters)	-	-	-	-	1	1	1	-	-	-	-	-	-	-	-	-	-
	(to carburetor)	-	-	-	-	-	-	-	1	1	-	-	-	-	-	-	-	-
	(to carburetor)	-	-	-	-	-	-	-	-	1	-	1	-	1	-	-	-	-
	(to carburetor) (used with 1402 130 and 1402 141 filters)	1	-	-	-	-	-	-	1	1	-	-	-	-	-	-	-	-
	(to carburetor)	-	-	-	-	-	-	-	-	-	1	-	1	-	-	-	-	-
	(to carburetor) (w/1312586 fuel pump)	-	-	-	-	1	-	-	-	-	-	-	-	-	-	-	-	-
	(to carburetor) (w/1312586 fuel pump)	-	1	1	1	-	1	1	-	-	-	-	-	-	-	-	-	-
	(to carburetor)	4	-	-	-	-	-	-	-	-	-	-	1	-	-	-	-	-
	(to carburetor) (B-1-R up to engine No. T156-2792. B-1-T and B-1-V up to engine No. T158-2885)	1	-	-	-	-	-	-	-	-	-	-	-	-	1	1	1	-
	(to carburetor) (B-1-R after engine No. T156-2792; B-1-T and B-1-V after engine No. T158-2885)	1	-	-	-	-	-	-	-	-	-	-	-	-	1	1	1	-
	(to carburetor)	2, 3, 4	-	-	-	-	-	-	-	-	-	-	-	-	1	-	-	-
	(to carburetor) (B-2-T and B-2-V up to engine No. T188-1395)	2	-	-	-	-	-	-	-	-	-	-	-	-	-	1	1	-
	(to carburetor) (B-2-T and B-2-V after engine No. T188-1395)	2	-	-	-	-	-	-	-	-	-	-	-	-	-	-	1	1
	(to carburetor)	1, 2	-	-	-	-	-	-	-	-	-	-	-	-	1	1	1	1
	(to carburetor)	3, 4	-	-	-	-	-	-	-	-	-	-	-	-	1	1	1	1
	Connector	-	★	★	★	★	★	★	★	★	★	★	★	★	★	★	★	★
	Tee	1, 2	-	-	-	-	-	-	-	-	-	-	-	-	1	1	1	1
	Nut	-	2	2	2	2	2	2	2	2	2	2	2	2	2	2	2	2
14-85-2	NIPPLE (pump end)	1	-	-	-	-	-	-	-	-	-	-	-	-	1	1	1	-
14-85-11	TUBE (carburetor to carburetor) Nipple	-	-	-	-	-	-	-	-	-	-	-	-	-	1	1	1	1
	Nut	-	-	-	-	-	-	-	-	-	-	-	-	-	2	2	2	2
14-85-23	TUBE (to auxiliary fuel pump) (except School Bus)	-	-	-	-	1	1	1	-	-	-	1	-	1	-	-	-	-
	(to auxiliary fuel pump)	1, 2	-	-	-	-	-	-	1	1	1	-	1	-	1	-	-	-
	(to auxiliary fuel pump)	3, 4	-	-	-	-	-	-	-	1	1	-	1	-	1	-	-	-
	(to auxiliary fuel pump)	-	-	-	-	-	-	-	-	-	-	-	-	-	1	1	1	-
	(to auxiliary fuel pump)	-	-	-	-	-	-	-	-	-	-	-	-	-	-	-	1	-
14-85-24	HOSE (carburetor to carburetor tube)	-	-	-	-	-	-	-	-	-	-	-	-	-	1	1	1	1
	(fuel pump to carburetor)	-	-	-	-	-	-	-	-	-	-	-	-	-	1	1	1	1
14-85-25	TUBE (to manifold) (School Bus)	-	-	-	-	1	1	1	-	-	-	1	-	-	-	-	-	-
	Elbow	-	-	-	-	1	1	1	-	-	-	1	-	-	-	-	-	-
14-85-27	NIPPLE (to manifold tube) (School Bus) (pump end)	-	-	-	-	1	1	1	-	-	-	1	-	-	-	-	-	-
FUEL TANK																		
14-86-1	TANK (Panel) (18 gallon)	1, 2, 3	1	-	-	-	-	-	-	-	-	-	-	-	-	-	-	-
	(Panel) (17 gallon)	4	1	-	-	-	-	-	-	-	-	-	-	-	-	-	-	-
	(Cab, Express, Stake and Platform) (18 gallon)	1, 2, 3	1	1	1	1	1	1	-	-	-	1	-	1	-	-	-	-

★ Indicates use as required. Numerals in parentheses () refer to notes. Printed in U.S.A.
 □ Indicates parts not listed in any previous parts book. Prices and specifications subject to change without notice.
 * Indicates change or addition. April 6, 1953 Supersedes Dec. 31, 1952.

CODE	PART NAME AND DESCRIPTION	SERIES NO.	MODEL CODES														PART NO.		
			B	C	D	F	G	H & HH	FM	GM	HM & HHM	J	JM	K	KM	R		T	V
FUEL TANK - Cont'd																			
14-86-1	TANK																		
	(Cab, Express, Stake and Platform) (18 gallon)	4	-	-	-	1	1	1	-	-	-	1	-	1	-	-	-	-	-
	(all except Panel) (17 gallon)	4	1	1	1	-	-	-	-	-	-	-	-	-	-	-	-	-	-
	(export Cab) (18 gallon)	1,2,3	1	1	1	1	1	1	-	-	-	1	-	1	-	-	-	-	-
	(Chassis and Cowl) (18 gallon)	1,2	1	-	-	-	-	-	-	-	-	-	-	-	-	-	-	-	-
	(18 gallon) (w/screw attaching gauge) (also specify 1503 173 Pipe)	1,2	1	1	1	1	1	1	-	-	-	1	-	1	-	-	-	-	-
	(18 gallon) (w/screw attaching gauge)	-	-	-	-	1	-	1	1	1	1	1	1	1	1	-	-	-	-
	(18 gallon) (w/retainer attaching gauge)	3,4	-	-	-	-	-	-	-	-	-	1	1	1	-	-	1	-	1
	(18 gallon) (mounted on right side in addition to production tank to provide additional fuel capacity) (w/screw attaching gauge)	-	-	-	-	1	1	1	-	-	-	1	-	1	-	-	-	-	-
	(18 gallon) (mounted on right side in addition to production tank to provide additional fuel capacity) (w/retainer attaching gauge)	3,4	-	-	-	1	1	1	-	-	-	1	-	1	-	-	-	-	-
	(18 gallon) (mounted on left side in addition to standard tank) (w/screw attaching gauge)	-	-	-	-	-	-	-	1	1	1	-	1	-	1	-	-	-	-
	(18 gallon) (mounted on left side in addition to standard tank) (w/retainer attaching gauge)	3,4	-	-	-	-	-	-	1	1	1	-	1	-	1	-	-	-	-
	(25 gallon) (mounted on right side of frame) (w/screw attaching gauge)	-	-	-	-	1	1	1	1	1	1	1	1	1	1	1	1	1	1
	(25 gallon) (mounted on right side of frame) (w/retainer attaching gauge)	3,4	-	-	-	1	1	1	-	1	1	1	1	1	1	1	1	1	1
	(25 gallon) (mounted on left side of frame) (w/retainer attaching gauge)	-	-	-	-	1	1	1	1	1	1	1	1	1	-	-	-	-	-
	(30 gallon) (mounted on right side of frame) (w/screw attaching gauge)	1	-	-	-	1	1	1	-	-	-	1	-	1	-	1	-	-	-
	(30 gallon) (mounted on right side of frame) (w/retainer attaching gauge)	3,4	-	-	-	1	1	1	-	-	-	1	-	1	-	1	-	-	-
	(40 gallon) (mounted on right side of frame) (w/screw attaching gauge)	-	-	-	-	-	-	-	-	-	-	-	-	-	1	1	1	1	1
	(40 gallon) (mounted on right side of frame) (w/retainer attaching gauge)	3,4	-	-	-	-	-	-	-	-	-	-	-	-	1	1	1	1	1
	(40 gallon) (mounted on left side of frame) (w/screw attaching gauge)	-	-	-	-	-	-	-	-	-	-	-	-	-	1	1	1	1	1
	(40 gallon) (mounted on left side of frame) (w/retainer attaching gauge)	3,4	-	-	-	-	-	-	-	-	-	-	-	-	1	1	1	1	1
	Plug (drain) (1/8" -27)	-	★	★	★	★	★	★	★	★	★	★	★	★	★	★	★	★	★

★ Indicates use as required.

Prices and specifications subject to change without notice.

□ Indicates parts not listed in any previous parts books.

Series No. (1 indicates B-1 Series) (2 indicates B-2 Series) (3 indicates B-3 Series) (4 indicates B-4 Series)

Where no Series No. is shown part is for B-1, B-2, B-3 and B-4 Series.

Sept. 30, 1953 Supersedes December 31, 1952.

Printed in U.S.A.

* Indicates change or addition.

CODE	PART NAME AND DESCRIPTION	SERIES NO.	MODEL CODES														PART NO.			
			B	C	D	F	G	H & HH	FM	GM	HM & HHM	J	JM	K	KM	R		T	V	Y
FUEL TANK - Cont'd																				
14-86-13	PLUG, Drain (S., 7/8"-20)	-	1	1	1	1	1	1	-	-	-	1	-	1	-	-	-	-	-	* 127 951
	(brass, 3/8"-18)	-	-	-	-	1	1	1	-	-	-	1	-	1	-	1	-	-	-	1090 343
	(die casting, 7/8"-20)	3,4	1	1	1	1	1	1	-	-	-	1	-	1	-	-	-	-	-	1316 674
14-86-14	BUSHING, Drain Plug	-	*	*	*	*	*	*	*	*	*	*	*	*	*	*	*	*	*	428 891
14-86-16	TEE, Shut-Off (w/dual tanks)	-	-	-	-	1	1	1	1	1	1	1	1	1	1	1	1	1	1	584 659
	Elbow	-	-	-	-	*	*	*	*	*	*	*	*	*	*	*	*	*	*	137 422
	Nipple or Connector	-	-	-	-	*	*	*	*	*	*	*	*	*	*	*	*	*	*	137 406
	Washer, plain	-	-	-	-	*	*	*	*	*	*	*	*	*	*	*	*	*	*	120 396
14-86-24	SEAL, Drain Plug	-	1	1	1	1	1	1	-	-	-	1	-	1	-	-	-	-	-	1122 361
14-86-27	WASHER, Outlet Pipe Flange	-	1	1	1	1	1	1	1	1	1	1	1	1	1	1	1	1	1	543 530
14-86-33	BRACKET, Shut-Off Tee Mounting	2,3,4	-	-	-	1	1	1	-	1	1	1	1	1	1	1	1	1	1	1268 859
	Bolt, 5/16"-24 x 1 1/4"	-	-	-	-	2	2	2	-	2	2	2	2	2	2	2	2	2	2	123 774
	Nut	-	-	-	-	2	2	2	-	2	2	2	2	2	2	2	2	2	2	120 368
14-86-35	CAP, Filler (w/1262 882 and 1273 904 tanks)	-	-	-	-	1	1	1	1	1	1	1	1	1	-	-	-	-	-	553 469
	(Chassis and Cowl)	-	1	1	1	1	1	1	1	1	1	1	1	1	-	-	-	-	-	553 469
	(except Chassis and Cowl)	-	1	1	1	1	1	1	-	-	-	1	-	1	-	-	-	-	-	547 645
	(w/25 and 40 gallon tanks)	-	-	-	-	*	*	*	*	*	*	*	*	*	*	*	*	*	*	553 469
	(w/30 gallon tanks)	-	-	-	-	1	1	1	-	-	-	1	-	1	-	-	-	-	-	547 645
14-86-36	GASKET (filler cap)	-	*	*	*	*	*	*	*	*	*	*	*	*	*	*	*	*	*	556 514
14-86-40	TUBE, Filler, Upper (Panel) (up to serial No. 82083984)	1	1	-	-	-	-	-	-	-	-	-	-	-	-	-	-	-	-	1195 365
	(Panel) (after serial No. 82083984)	1	1	-	-	-	-	-	-	-	-	-	-	-	-	-	-	-	-	1263 640
	Filler, Upper (Panel) (up to serial No. 82167851 except not used on 82165726 thru 82165800 and 82167283 Det. Built and 85302223 also used on 85302231 thru 85302256 S.L. Built)	2	1	-	-	-	-	-	-	-	-	-	-	-	-	-	-	-	-	1265 433
	(Panel) (after serial No. 82167851 also used on 82165726 thru 82165800 and 82167237 thru 82167283 Det. Built and 85302223 except not used on 85302231 thru 85302256 S.L. Built)	2,3	1	-	-	-	-	-	-	-	-	-	-	-	-	-	-	-	-	1269 976
	Filler (Panel)	4	1	-	-	-	-	-	-	-	-	-	-	-	-	-	-	-	-	1500 763
	Filler (except Chassis and Cowl) (B-1-B up to serial No. 82071319, Det. and 9232736 S. L. Built. B-1-C up to serial No. 83319185 Det. and 85503369 S.L. Built. B-1-D up to serial No. 81258304 Det. and 86006047 S.L. Built. B-1-F and B-1-H up to serial No. 80334134 Det. and 86510863 S.L. Built. B-1-J and B-1-K up to serial No. 82548050 Det. and 85601298 S.L. Built)	1	1	1	1	1	1	1	-	-	-	1	-	1	-	-	-	-	-	1195 274

★ Indicates use as required.

□ Indicates parts not listed in any previous parts books.

Series No. (1 indicates B-1 Series) (2 indicates B-2 Series) (3 indicates B-3 Series) (4 indicates B-4 Series)

Where no Series No. is shown part is for B-1, B-2, B-3 and B-4 Series.

* Indicates change or addition.

Prices and specifications subject to change without notice.

CODE	PART NAME AND DESCRIPTION	SERIES NO.	MODEL CODES													PART NO.				
			B	C	D	F	G	H & HH	FM	GM	HM & HHM	J	JM	K	KM		R	T	V	Y
FUEL TANK - Cont'd																				
14-86-40	TUBE, Filler (except Chassis and Cowl) (B-1-B after serial No. 82071319 Det. and 9232736 S.L. Built. B-1-C after serial No. 83319185 Det. and 85503369 S.L. Built. B-1-D after serial No. 81258304 Det. and 86006047 S.L. Built. B-1-F and B-1-H after serial No. 80334134 Det. and 86510863 S.L. Built. B-1-J and B-1-K after serial No. 82548050 Det. and 85601298 S.L. Built)	-	1	1	1	1	-	1	-	-	-	1	-	1	-	-	-	-	-	1263 871
	(w/30 gallon tank)	-	-	-	-	1	1	1	-	-	-	1	-	1	-	1	-	-	-	913 754
14-86-42	GASKET, Filler Tube (w/30 gallon tank)	-	-	-	-	1	1	1	-	-	-	1	-	1	-	1	-	-	-	556 514
14-86-46	HOUSING, Side Fuel Fillers (Panel)	1	1	-	-	-	-	-	-	-	-	-	-	-	-	-	-	-	-	1197 014
14-86-48	HOSE, Filler Tube (except Chassis, Cowl and Panel)	-	1	1	1	1	1	1	-	-	-	1	-	1	-	1	-	-	-	780 182
14-86-49	CLAMP, Filler Tube Hose	-	2	2	2	2	2	2	-	-	-	2	-	2	-	-	-	-	-	870 469
14-86-55	GROMMET, Side Panel Filler Tube (Panel)	1	1	-	-	-	-	-	-	-	-	-	-	-	-	-	-	-	-	1197 078
	Rear Panel Fuel Filter	-	1	1	1	1	1	1	-	-	-	1	-	1	-	-	-	-	-	1097 575
14-86-56	RETAINER, Outside Fuel Filter Grommet (Panel)	1	1	-	-	-	-	-	-	-	-	-	-	-	-	-	-	-	-	1197 080
	Screw, No. 10-12 x 1/2"	1	4	-	-	-	-	-	-	-	-	-	-	-	-	-	-	-	-	125 591
14-86-57	HOSE, Vent Tube (Panel) (specify by the inch)	-	★	-	-	-	-	-	-	-	-	-	-	-	-	-	-	-	-	1064 541

★ Indicates use as required. Prices and specifications subject to change without notice.
 ☐ Indicates parts not listed in any previous parts books.
 Series No. (1 indicates B-1 Series) (2 indicates B-2 Series) (3 indicates B-3 Series) (4 indicates B-4 Series)
 Where no Series No. is shown part is for B-1, B-2, B-3 and B-4 Series.
 Sept. 30, 1953 Supersedes December 31, 1952. Page 14-28 Printed in U.S.A.
 * Indicates change or addition.

CODE	PART NAME AND DESCRIPTION	SERIES NO.	MODEL CODES													PART NO.				
			B	C	D	F	G	H & HH	FM	GM	HM & HHM	J	JM	K	KM		R	T	V	Y
FUEL TANK - Cont'd																				
14-86-60	SEAL, Underbody Fuel Filler Neck (Cab) (B-1-B up to serial No. 82073135 Det. and 9232766 S.L. Built, B-1-C up to serial No. 83319392 Det. and 85503373 S. L. Built, B-1-D up to serial No. 81259396 Det. and 86006070 S.L. Built, B-1-F and B-1-H up to serial No. 80335533, Det. and 86510870 S.L. Built, B-1-J B-1-K to serial No. 82548744 Det. and 85601298 S. L. Built) (Cab) (B-1-B after serial No. 82073135 Det. and 8232766 S.L. Built, B-1-C after serial No. 83319392 Det. and 85503373 S.L. Built, B-1-D after serial No. 81259396 Det. and S.L. B-1-F and B-1-H serial No. 80335533 Det. and 86510870 S.L. Built, B-1-J and B-1-K after serial No. 82548744 Det. and 85601298 S.L.)	1	1	1	1	1	-	1	-	-	-	1	-	1	-	-	-	-	-	1097 999
	SEAL, Underbody Fuel Filler Neck (Cab) (B-2-B up to serial No. 82163952. T174 up to serial No. 83346878. B-2-D up to serial No. 81285203. B-2-F up to serial No. 80383384. B-2-G up to serial No. 80070498. B-2-H and B-2-HH up to serial No. 82567820. B-2-J and B-2-K up to serial No. 82803597.) (B-2-B after serial No. 82163952. B-2-C after serial No. 83346878. B-2-D after serial No. 81285203. B-2-F after serial No. 80383384. B-2-G after serial No. 80070498. B-2-H and B-2-HH after serial No. 82567820. B-2-J and B-2-K after serial No. 82803597.)	1	1	1	1	1	-	1	-	-	-	1	-	1	-	-	-	-	-	1199 683
	SEAL, Underbody Fuel Filler Neck (Cab) (B-2-B up to serial No. 82163952. T174 up to serial No. 83346878. B-2-D up to serial No. 81285203. B-2-F up to serial No. 80383384. B-2-G up to serial No. 80070498. B-2-H and B-2-HH up to serial No. 82567820. B-2-J and B-2-K up to serial No. 82803597.)	2	1	1	1	1	1	1	-	-	-	1	-	1	-	-	-	-	-	1199 683
	SEAL, Underbody Fuel Filler Neck (Cab) (B-2-B up to serial No. 82163952. T174 up to serial No. 83346878. B-2-D up to serial No. 81285203. B-2-F up to serial No. 80383384. B-2-G after serial No. 80070498. B-2-H and B-2-HH after serial No. 82567820. B-2-J and B-2-K after serial No. 82803597.)	2,3,4	1	1	1	1	1	1	-	-	-	1	-	1	-	-	-	-	-	1276 983
FUEL TANK SUPPORT																				
14-88-2	SUPPORT (18 gallon tank) (right side or dual)	-	-	-	-	*	*	*	*	*	*	*	*	*	*	-	-	-	-	557 654
	(25 gallon tank) (right side or dual)	-	-	-	-	*	*	*	*	*	*	*	*	*	*	*	*	*	*	1260 550
	(30 gallon tank)	-	-	-	-	*	*	*	*	*	*	*	*	*	*	*	*	*	*	557 654
	Bolt, 5/16"-24 x 1"	-	-	-	-	*	*	*	*	*	*	*	*	*	*	*	*	*	*	121 661
	Bolt, 5/16"-24 x 1 1/4"	-	-	-	-	*	*	*	*	*	*	*	*	*	*	*	*	*	*	123 774
	Nut	-	-	-	-	*	*	*	*	*	*	*	*	*	*	*	*	*	*	120 368
	Washer, lock	-	-	-	-	*	*	*	*	*	*	*	*	*	*	*	*	*	*	120 214

★Indicates use as required.

Prices and specifications subject to change without notice.

☐Indicates parts not listed in any previous parts books.

Series No. (1 indicates B-1 Series) (2 indicates B-2 Series) (3 indicates B-3 Series) (4 indicates B-4 Series)

Where no Series No. is shown part is for B-1, B-2, B-3 and B-4 Series.

CODE	PART NAME AND DESCRIPTION	SERIES NO.	MODEL CODES													PART NO.			
			B	C	D	F	G	H & HH	FM	GM	HM & HHM	J	JM	K	KM		R	T	V
FUEL TANK SUPPORT - Cont'd																			
14-88-8	BRACKET, Fuel Tank (B-2-B up to serial No. 82165505 also used on 82165701 thru 82165708 Det. and up to 85302223 also used on 85302231 thru 85302256 S. L.; B-2-D 126" W.B. up to serial No. 81285215 Det. and 86008711 S.L.)	1,2	1	-	1	-	-	-	-	-	-	-	-	-	-	-	-	-	589 572
	(B-2-B after serial No. 82165505 except not used on 82165701-08 Det. and after 85302223 except not used on 85302231 thru 85302256 S. L. B-2-D 126" W.B. after serial No. 81285215 Det. and 86008711 S.L.)	2	1	-	1	-	-	-	-	-	-	-	-	-	-	-	-	-	1269 979
	(108" W.B.)	3,4	1	-	-	-	-	-	-	-	-	-	-	-	-	-	-	-	1269 979
	(116" W.B.)	4	1	-	-	-	-	-	-	-	-	-	-	-	-	-	-	-	E1393 998
	(126" W.B.)	1	-	1	-	-	-	-	-	-	-	-	-	-	-	-	-	-	589 571
	(126" W.B.)	3,4	-	-	1	-	-	-	-	-	-	-	-	-	-	-	-	-	589 572
	(116" W.B.)	-	-	-	1	-	-	-	-	-	-	-	-	-	-	-	-	-	1269 979
	(front) (B-1-F and B-1-H up to serial No. 80317118 Det. and 86507608 L.A. on 152" and 170" W.B. B-1-F and B-1-H up to serial No. 80323693 Det. and 86508199 L.A., on 192" W.B.)	1	-	-	-	1	-	1	-	-	-	-	-	-	-	-	-	-	589 571
	Fuel Tank (front) (B-1-F and B-1-H after serial No. 80317118 Det. and 86507608 L.A. on 152" and 170" W.B. B-1-F and B-1-H after serial No. 80323693 Det. and 86508199 L.A. on 192" W.B.)	1	-	-	-	1	-	1	-	-	-	-	-	-	-	-	-	-	1269 979
	(front) (128" W.B.)	1	-	-	-	1	-	1	-	-	-	-	-	-	-	-	-	-	1269 979
	(front)	2	-	-	-	1	1	1	-	-	-	1	1	1	-	-	-	-	1195 629
	(rear) (except 192" W.B.)	3,4	-	-	-	1	1	1	-	-	-	1	1	1	-	-	-	-	E1394 321
	(rear) (up to serial No. 80323693 Det. and 86508199 L.A. on 192" W.B.)	1	-	-	-	1	-	1	-	-	-	-	-	-	-	-	-	-	1195 630
	(rear) (after serial No. 80323693 Det. and 86508199 L.A. on 192" W.B.)	1	-	-	-	1	-	1	-	-	-	-	-	-	-	-	-	-	1195 635
	(front) (B-3-F up to approx. serial No. 80399059 Det. 86514722. B-3-G up to approx. 80089723 Det. 86601615 S.L. B-3-H and B-3-HH up to approximately 82593835 Det. 85603388 S.L.)	2,3	-	-	-	1	1	1	-	-	-	-	-	-	-	-	-	-	1195 630
	(rear) (128" W.B.) (B-3-J and B-3-K up to serial No. 82826815 Det. 88601432 S.L.)	1,2,3	-	-	-	-	-	-	-	-	-	1	-	1	-	-	-	-	1195 630
	(rear) (except 128" W.B.) (B-3-J and B-3-K up to serial No. 82826815 Det.)	1,2,3	-	-	-	-	-	-	-	-	-	1	-	1	-	-	-	-	1195 635

★Indicates use as required.

Prices and specifications subject to change without notice.

□Indicates parts not listed in any previous parts books.

Series No. (1 indicates B-1 Series) (2 indicates B-2 Series) (3 indicates B-3 Series) (4 indicates B-4 Series)

Where no Series No. is shown part is for B-1, B-2, B-3 and B-4 Series.

Printed in U.S.A.

CODE	PART NAME AND DESCRIPTION	SERIES NO.	MODEL CODES													PART NO.					
			B	C	D	F	G	H & HH	FM	GM	HM & HHM	J	JM	K	KM		R	T	V	Y	
FUEL TANK SUPPORT - Cont'd																					
14-88-8	BRACKET, Fuel Tank (front) (B-3-F after approx. serial No. 80399059 Det. 86514722 S. L. ; B-3-G after approx. 80089723 Det. 86601615 S. L. B-3-H and B-3-HH after approx. 82593835 Det. 85603388 S. L.)	3, 4	-	-	-	1	1	1	-	-	-	-	-	-	-	-	-	-	-	E1394 322	
	(rear) (128" W.B.) (B-3-J and B-3-K after serial No. 82826815 Det. 88601432 S. L.)	3, 4	-	-	-	-	-	-	-	-	1	-	1	-	-	-	-	-	-	E1394 322	
	(rear) (except 128" W.B.) (B-3-J and B-3-K after serial No. 82826815 Det.)	3, 4	-	-	-	-	-	-	-	-	1	-	1	-	-	-	-	-	-	E1394 320	
	Bolt, 3/8"-24 x 1" (to frame)	-	2	2	2	2	2	2	-	-	2	-	2	-	-	-	-	-	-	120 647	
	Bolt, 3/8"-24 x 1" (to tank)	-	2	2	2	2	2	2	-	-	2	-	2	-	-	-	-	-	-	120 647	
	Bolt, 3/8"-24 x 2 1/2" (to tank)	-	2	2	2	2	2	2	-	-	2	-	2	-	-	-	-	-	-	120 640	
	Nut	-	6	6	6	6	6	6	-	-	6	-	6	-	-	-	-	-	-	120 369	
	Washer, lock	-	6	6	6	6	6	6	-	-	6	-	6	-	-	-	-	-	-	120 382	
	Washer, plain	-	4	4	4	4	4	4	-	-	4	-	4	-	-	-	-	-	-	120 394	
14-88-10	SPRING, to Bracket Bolt (9 coils) To Bracket Bolt (7 coils)	1, 2, 3 3, 4	2	2	2	2	2	2	-	-	2	-	2	-	-	-	-	-	-	590 032	
14-88-14	SPACER, to Bracket Bolt (1 1/4" lgh.) To Bracket Bolt (15/16" lgh.)	1, 2, 3 3, 4	2	2	2	2	2	2	-	-	2	2	-	-	-	-	-	-	-	590 034 871 918	
14-88-19	SHIELD, Heat (w/30 gallon tank) (6 5/8" width) (w/30 gallon tank) (4 5/8" width) (w/40 gallon tank)	1, 2, 3 3, 4	-	-	-	1	1	1	-	-	1	-	1	-	1	-	-	-	-	1190 594 E1392 102	
	Bolt, 1/4"-28 x 3/4"	-	-	-	3	3	3	-	-	3	-	3	-	3	-	-	-	-	-	123 451	
	Bolt, 5/16"-18 x 5/8"	-	-	-	3	3	3	-	-	3	-	3	-	3	-	2	2	2	2	120 228	
	Nut	-	-	-	3	3	3	-	-	3	-	3	-	3	-	-	-	-	-	120 367	
	Washer, lock	-	-	-	3	3	3	-	-	3	-	3	-	3	-	-	-	-	-	120 382	
14-88-20	EXTENSION, Support (w/30 gallon tank)	-	-	-	4	4	4	-	-	4	-	4	-	4	-	-	-	-	-	1190 626	
	Rivet	-	-	-	★	★	★	-	-	★	-	★	-	★	-	-	-	-	-	104 282	
14-88-21	STRAP (w/18 gallon tank) (w/25 gallon tank) (w/30 gallon tank) (w/40 gallon tank)	-	-	-	★	★	★	★	★	★	★	★	★	★	★	★	★	★	★	★	589 018 588 627 1267 146 1193 737
	Bolt, 7/16"-20 x 1 1/4"	-	-	-	★	★	★	★	★	★	★	★	★	★	-	-	-	-	-	123 841	
	Bolt, 7/16"-20 x 1 1/4"	-	-	-	★	★	★	★	★	★	★	★	★	★	2	2	2	2	2	123 841	
	Bolt, 7/16"-20 x 1 1/2"	-	-	-	★	★	★	★	★	★	★	★	★	★	★	★	★	★	★	123 852	
	Bolt, 3/8"-24 x 3/4"	-	-	-	★	★	★	★	★	★	★	★	★	★	★	★	★	★	★	123 520	
	Nut	-	-	-	★	★	★	★	★	★	★	★	★	★	★	★	★	★	★	120 370	
	Nut (end)	-	-	-	★	★	★	★	★	★	★	★	★	★	★	★	★	★	★	120 369	
	Nut	-	-	-	★	★	★	★	★	★	★	★	★	★	★	★	★	★	★	124 925	
	Washer, lock	-	-	-	★	★	★	★	★	★	★	★	★	★	★	★	★	★	★	120 382	
	Washer, lock	-	-	-	★	★	★	★	★	★	★	★	★	★	★	★	★	★	★	120 383	
	Washer, lock	-	-	-	★	★	★	★	★	★	★	★	★	★	★	★	★	★	★	138 489	
14-88-33	LINING, Support	-	-	-	★	★	★	★	★	★	★	★	★	★	★	★	★	★	★	554 727	
14-88-36	REINFORCEMENT, Support (30 gallon tank)	-	-	-	2	2	2	-	-	2	-	2	-	2	-	-	-	-	-	1190 627	
	Bolt, 3/8"-24 x 1 1/4" (to frame)	-	-	-	4	4	4	-	-	4	-	4	-	4	-	-	-	-	-	121 615	
	Rivet (to support)	-	-	-	4	4	4	-	-	4	-	4	-	4	-	-	-	-	-	103 487	
	Nut	-	-	-	4	4	4	-	-	4	-	4	-	4	-	-	-	-	-	120 369	
	Washer, lock	-	-	-	4	4	4	-	-	4	-	4	-	4	-	-	-	-	-	120 382	

★Indicates use as required.

Prices and specifications subject to change without notice.

☐Indicates parts not listed in any previous parts books.

Series No. (1 indicates B-1 Series) (2 indicates B-2 Series) (3 indicates B-3 Series) (4 indicates B-4 Series)

Where no Series No. is shown part is for B-1, B-2, B-3 and B-4 Series.

CODE	PART NAME AND DESCRIPTION	SERIES NO.	MODEL CODES																PART NO.
			B	C	D	F	G	H & HH	FM	GM	HM & HHM	J	JM	K	KM	R	T	V	
FUEL TANK SUPPORT - Cont'd																			
14-88-37	SCREW, Heat Shield (except 130" W.B.)	-	-	-	-	1	1	1	-	-	-	1	-	1	-	-	-	2	617 049
14-88-39	SPACER, Heat Shield (use with 1392102 shield)	3,4	-	-	-	1	1	1	-	-	-	1	-	1	-	-	-	-	1392 103
14-88-40	CRADLE, Complete (40 gallon tank)	2,3,4	-	-	-	-	-	-	-	-	-	-	-	-	-	-	★	★	1261 377
	Bolt, 1/2"-20 x 1 1/2"	-	-	-	-	-	-	-	-	-	-	-	-	-	-	-	★	★	120 234
	Rivet	-	-	-	-	-	-	-	-	-	-	-	-	-	-	-	★	★	104 282
	Rivet	-	-	-	-	-	-	-	-	-	-	-	-	-	-	-	★	★	104 284
	Nut	-	-	-	-	-	-	-	-	-	-	-	-	-	-	-	★	★	120 371
	Washer, lock	-	-	-	-	-	-	-	-	-	-	-	-	-	-	-	★	★	120 384
14-88-41	LINING, Cradle	-	-	-	-	-	-	-	-	-	-	-	-	-	-	-	★	★	554 235
FUEL TANK TUBING																			
14-89-15	TUBE, to Fuel Pump (120" lgh.)	1	1	1	1	-	-	-	-	-	-	-	-	-	-	-	-	-	861 854
	To Fuel Pump (104" lgh.)	2,3,4	1	1	1	-	-	-	-	-	-	-	-	-	-	-	-	-	861 852
	(120" lgh.)	2	-	-	-	1	1	1	-	-	-	1	-	1	-	-	-	-	861 854
	(112" lgh.)	2,3,4	-	-	-	1	1	1	-	-	-	1	-	1	-	-	-	-	861 853
	(25 gallon Right Side Mount, replaces production tank) (96" lgh.)	2,3,4	-	-	-	1	1	1	-	-	-	1	-	1	-	-	-	-	861 943
	(25 gallon right side mounted) (90" lgh.)	1	-	-	-	1	1	1	-	-	-	1	-	1	-	-	-	-	861 942
	(60" lgh.)	1	-	-	-	-	-	-	1	-	1	-	1	-	1	-	-	-	861 845
	(66" lgh.)	1	-	-	-	-	-	-	1	-	1	-	1	-	1	-	-	-	861 846
	(72" lgh.)	-	-	-	-	-	-	-	1	1	1	-	1	-	1	-	-	-	861 847
	(w/30 gallon tank) (90" lgh.)	-	-	-	-	1	1	1	-	-	-	1	-	1	-	1	-	-	861 942
	(96" lgh.)	1	-	-	-	-	-	-	-	-	-	-	-	-	-	1	1	1	861 943
	(104" lgh.)	-	-	-	-	-	-	-	-	-	-	-	-	-	-	1	1	1	861 944
	Nut	-	2	2	2	2	2	2	2	2	2	2	2	2	2	2	2	2	137 398
14-89-41	TUBE (fuel tank shut-off tee to fuel pump) (96" lgh.)	-	-	-	-	1	1	1	-	-	-	1	-	1	-	-	-	-	861 943
	(fuel tank shut-off tee to fuel pump) (66" lgh.)	-	-	-	-	-	-	-	1	1	1	-	1	-	1	-	-	-	861 846
	Coupling	-	-	-	-	1	1	1	1	1	1	1	1	1	1	1	1	1	444 094
14-89-42	TUBE, (fuel tank shut-off tee to fuel pump) (18 gallon right side mounted in addition to standard tank) (72" lgh.)	-	-	-	-	1	1	1	-	-	-	1	-	1	-	-	-	-	861 939
	(fuel tank shut-off tee to fuel tank) (25 gallon left side replaces standard tank)	-	-	-	-	1	1	1	-	-	-	1	-	1	-	-	-	-	861 935
	(fuel tank shut-off tee to fuel tank) (left on dual 18 gallon tanks) (60" lgh.)	-	-	-	-	-	-	-	1	1	1	-	1	-	1	-	-	-	861 845
	(fuel tank shut-off tee to fuel tank) (right on dual tanks) (15" lgh.)	-	-	-	-	-	-	-	1	1	1	-	1	-	1	-	-	-	861 820
	(fuel tank shut-off tee to fuel tank) (left on 25 gallon dual tanks) (56" lgh.)	-	-	-	-	-	-	-	1	1	1	-	1	-	1	-	-	-	861 844
	(fuel tank shut-off tee to fuel tank) (left on 40 gallon tank) (52" lgh.)	-	-	-	-	-	-	-	-	-	-	-	-	-	1	1	1	1	861 935
14-89-57	HOSE, to Fuel Pump Tube	-	1	1	1	1	1	1	1	1	1	1	1	1	1	1	1	1	1057 838

★Indicates use as required.

Prices and specifications subject to change without notice.

☐Indicates parts not listed in any previous parts books.

Series No. (1 indicates B-1 Series) (2 indicates B-2 Series) (3 indicates B-3 Series) (4 indicates B-4 Series)

Where no Series No. is shown part is for B-1, B-2, B-3 and B-4 Series.

Printed in U.S.A.

