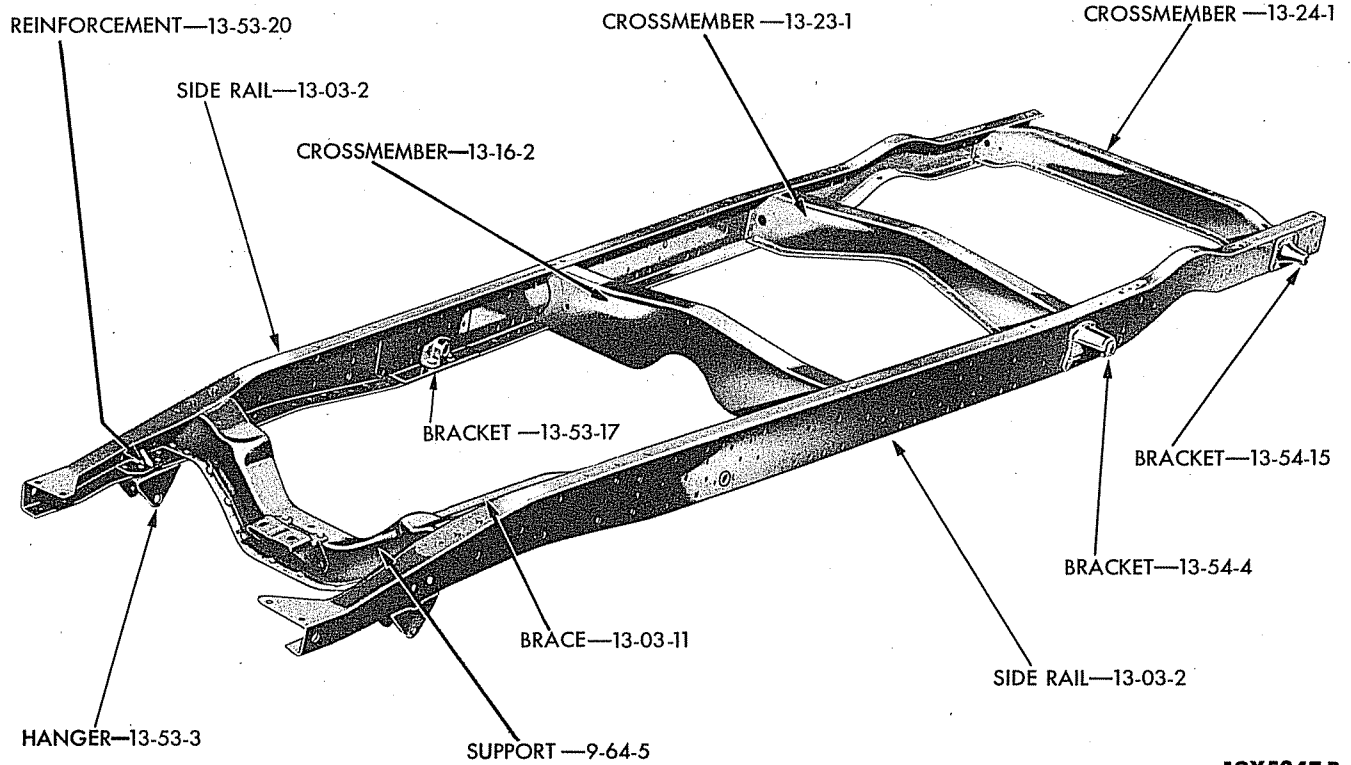


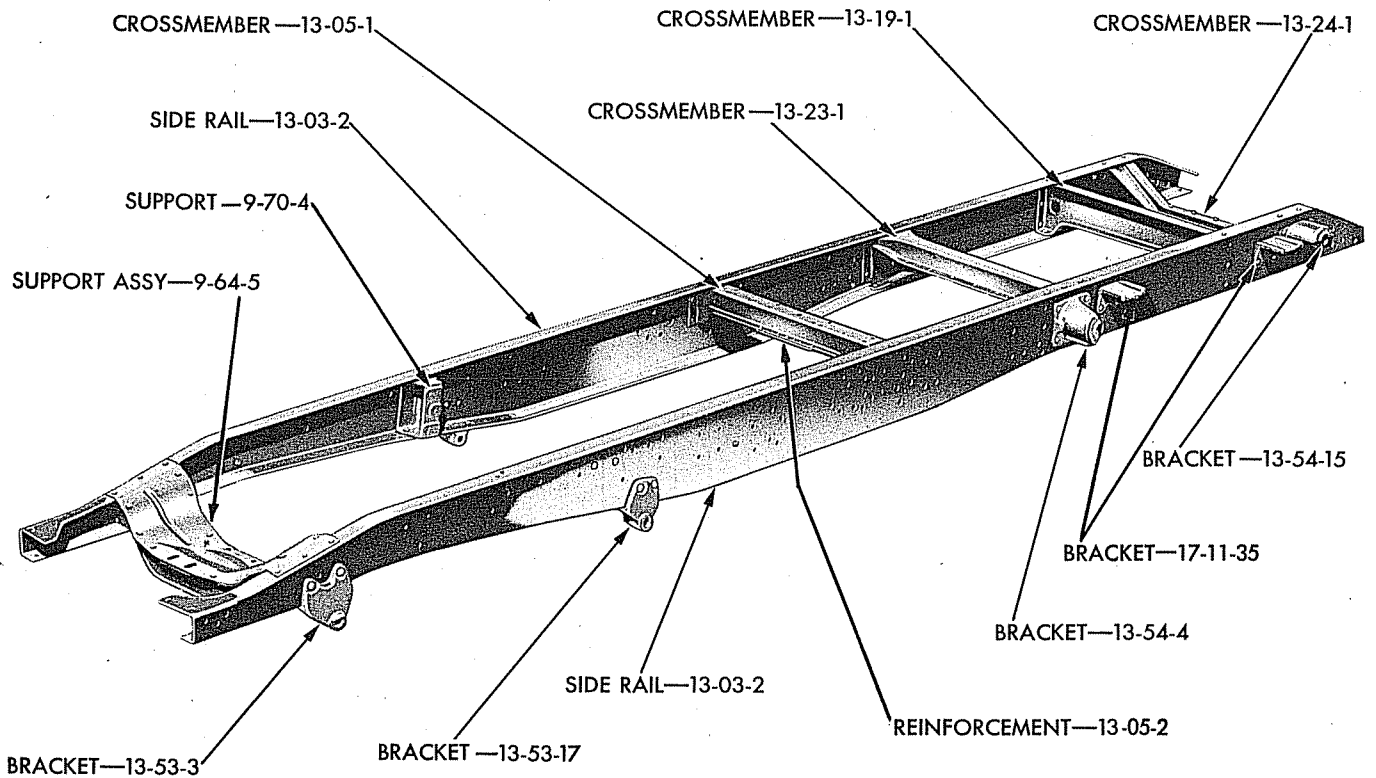
GROUP 13 - FRAME



19X5347 B

Plate 13-1

FRAME ASSEMBLY (1/2 and 3/4 TON)



19X5346

Plate 13-2

FRAME ASSEMBLY (3 TON)

CODE	PART NAME AND DESCRIPTION	SERIES NO.	MODEL CODES													PART NO.				
			B	C	D	F	G	H & HH	FM	GM	HM & HHM	J	JM	K	KM		R	T	V	Y
13-01-1	FRAME																			
	(192" W.B.)	4	-	-	-	-	-	1												E1501 609
	w/REINFORCEMENT (192" W.B.)	3,4	-	-	-	-	1	1												1272 831
	(107" W.B.)	1	-	-	-	-	-		1											1195 873
	w/REINFORCEMENT (107" W.B.)	1	-	-	-	-	-		1											1260 844
	(107" W.B.)	2,3,4	-	-	-	-	-		1	1										1266 109
	w/REINFORCEMENT (107" W.B.)	3,4	-	-	-	-	-		1	1										1273 153
	(131" W.B.)	1	-	-	-	-	-		1											1195 876
	w/REINFORCEMENT (131" W.B.)	1	-	-	-	-	-		1	1										1260 845
	(131" W.B.)	2,3,4	-	-	-	-	-		1	1										1266 110
	w/REINFORCEMENT (131" W.B.)	3,4	-	-	-	-	-		1	1										1273 156
	(161" W.B.)	1	-	-	-	-	-		1											1195 879
	w/REINFORCEMENT (161" W.B.)	1	-	-	-	-	-		1	1										1260 846
	(161" W.B.)	2,3,4	-	-	-	-	-		1	1										1266 111
	w/REINFORCEMENT (161" W.B.)	3,4	-	-	-	-	-		1	1										1273 159
	Frame (128" W.B.)	1,2	-	-	-	-	-				1		1							1194 672
	w/REINFORCEMENT (128" W.B.)	1,2	-	-	-	-	-				1		1							1196 673
	w/REINFORCEMENT (128" W.B.)	3,4	-	-	-	-	-				1		1							1272 665
	(140" W.B.)	1	-	-	-	-	-				1									1194 793
	w/REINFORCEMENT (140" W.B.)	-	-	-	-	-	-				1		1							1272 668
	(152" W.B.)	1,2	-	-	-	-	-				1		1							1194 673
	w/REINFORCEMENT (152" W.B.)	1,2	-	-	-	-	-				1		1							1196 675
	w/REINFORCEMENT (152" W.B.)	3,4	-	-	-	-	-				1		1							1272 671
	(170" W.B.)	1,2	-	-	-	-	-				1		1							1194 799
	w/REINFORCEMENT (170" W.B.)	-	-	-	-	-	-				1		1							1272 674
	(212" W.B.) (except School Bus)	1	-	-	-	-	-				1									1194 805
	(212" W.B.)	2	-	-	-	-	-				1		1							1266 375
	(212" W.B.)	3	-	-	-	-	-				1		1							1272 244
	(212" W.B.)	4	-	-	-	-	-				1									E1501 613
	w/REINFORCEMENT (212" W.B.)																			
	(also used for School Bus)	1	-	-	-	-	-				1									1196 677
	(107" W.B.)	1,2	-	-	-	-	-					1		1						1196 023
	w/REINFORCEMENT (107" W.B.)	1,2	-	-	-	-	-					1		1						1260 853
	w/REINFORCEMENT (107" W.B.)	3,4	-	-	-	-	-					1		1						1273 131
	(131" W.B.)	-	-	-	-	-	-					1		1						1196 146
	w/REINFORCEMENT (131" W.B.)	-	-	-	-	-	-					1		1						1260 854
	(161" W.B.)	-	-	-	-	-	-					1		1						1196 149
	w/REINFORCEMENT (161" W.B.)	-	-	-	-	-	-					1		1						1260 855
	(130" W.B.)	1,2	-	-	-	-	-							1						1196 410
	(130" W.B.)	3,4	-	-	-	-	-							1						1272 497
	(136" W.B.)	1,2	-	-	-	-	-							1						1196 411
	(142" W.B.)	2	-	-	-	-	-							1						1269 813
	(142" W.B.)	3,4	-	-	-	-	-							1						1272 500
	(154" W.B.)	1,2	-	-	-	-	-							1						1196 412
	(154" W.B.)	3,4	-	-	-	-	-							1						1272 503
	(172" W.B.)	1,2	-	-	-	-	-							1						1196 413
	(172" W.B.)	3,4	-	-	-	-	-							1						1272 506
	(229" W.B., Export) (also																			
	School Bus)	1,2	-	-	-	-	-							1						1196 414
	(229" W.B.)	3	-	-	-	-	-							1						1272 509
	(229" W.B.)	4	-	-	-	-	-							1						E1501 277
	(130" W.B.)	1,2	-	-	-	-	-								1	1				1196 504
	(130" W.B.)	3,4	-	-	-	-	-								1	1				1272 851
	(136" W.B.)	1,2	-	-	-	-	-								1	1				1196 505
	(142" W.B.)	2,3,4	-	-	-	-	-								1	1				1272 854
	(154" W.B.)	-	-	-	-	-	-								1	1				1272 857
	(172" W.B.)	-	-	-	-	-	-								1	1				1272 860
	(190" W.B.)	1,2	-	-	-	-	-								1	1				1196 508
	(190" W.B.)	3	-	-	-	-	-								1	1				1272 863

★Indicates use as required.

□Indicates parts not listed in any previous parts books.

Series No. (1 indicates B-1 Series) (2 indicates B-2 Series) (3 indicates B-3 Series) (4 indicates B-4 Series)

Where no Series No. is shown part is for B-1, B-2, B-3 and B-4 Series.

Prices and specifications subject to change without notice.

CODE	PART NAME AND DESCRIPTION	SERIES NO.	MODEL CODES													PART NO.				
			B	C	D	F	G	H & HH	FM	GM	HM & HHM	J	JM	K	KM		R	T	V	Y
FRAME - Cont'd																				
13-01-1	FRAME																			
	(190" W.B.)	4	-	-	-	-	-	-	-	-	-	-	-	-	-	-	1	1	-	E1501 297
	(130" W.B.)	2, 3, 4	-	-	-	-	-	-	-	-	-	-	-	-	-	-	-	-	1	1272 978
	(142" W.B.)	2	-	-	-	-	-	-	-	-	-	-	-	-	-	-	-	-	-	1269 647
	(142" W.B.)	3, 4	-	-	-	-	-	-	-	-	-	-	-	-	-	-	-	-	1	1272 981
	(154" W.B.)	-	-	-	-	-	-	-	-	-	-	-	-	-	-	-	-	-	1	1267 159
	(172" W.B.)	-	-	-	-	-	-	-	-	-	-	-	-	-	-	-	-	-	1	1267 160
	(190" W.B.)	2, 3	-	-	-	-	-	-	-	-	-	-	-	-	-	-	-	-	1	1267 161
	(190" W.B.)	4	-	-	-	-	-	-	-	-	-	-	-	-	-	-	-	-	1	E1501 317
FRAME SIDE RAIL																				
13-03-2	RAIL, Left (108" W.B.)	2	1	-	-	-	-	-	-	-	-	-	-	-	-	-	-	-	-	1265 887
	Left (116" W.B.)	1	-	1	-	-	-	-	-	-	-	-	-	-	-	-	-	-	-	1194 731
	Left (116" W.B.)	2	-	1	-	-	-	-	-	-	-	-	-	-	-	-	-	-	-	1265 893
	Right (116" W.B.)	1	-	-	1	-	-	-	-	-	-	-	-	-	-	-	-	-	-	1194 694
	Left (116" W.B.)	1	-	-	1	-	-	-	-	-	-	-	-	-	-	-	-	-	-	1194 695
	Left (116" W.B.)	2	-	-	1	-	-	-	-	-	-	-	-	-	-	-	-	-	-	1265 907
	Right (126" W.B.)	1	-	-	1	-	-	-	-	-	-	-	-	-	-	-	-	-	-	1194 736
	Left (126" W.B.)	1	-	-	1	-	-	-	-	-	-	-	-	-	-	-	-	-	-	1194 737
	Left (126" W.B.)	2	-	-	1	-	-	-	-	-	-	-	-	-	-	-	-	-	-	1265 909
	Right (152" W.B.) (School Bus)	1	-	-	-	1	-	-	-	-	-	-	-	-	-	-	-	-	-	1196 844
	Left (152" W.B.) (School Bus)	1	-	-	-	1	-	-	-	-	-	-	-	-	-	-	-	-	-	1196 845
	Right (170" W.B.)	1	-	-	-	1	-	1	-	-	-	-	-	-	-	-	-	-	-	1194 770
	Left (170" W.B.)	1	-	-	-	1	-	1	-	-	-	-	-	-	-	-	-	-	-	1194 771
	Right (170" W.B.)	2	-	-	-	1	1	-	-	-	-	-	-	-	-	-	-	-	-	1266 250
	Left (170" W.B.)	2	-	-	-	1	1	-	-	-	-	-	-	-	-	-	-	-	-	1266 251
	Right (192" W.B.) (except B-2-G School Bus)	1, 2	-	-	-	1	1	-	-	-	-	-	-	-	-	-	-	-	-	1194 776
	Left (192" W.B.) (except B-2-G School Bus)	1, 2	-	-	-	1	1	-	-	-	-	-	-	-	-	-	-	-	-	1194 777
	Right (192" W.B.)	1	-	-	-	-	-	1	-	-	-	-	-	-	-	-	-	-	-	1194 776
	Left (192" W.B.)	1	-	-	-	-	-	1	-	-	-	-	-	-	-	-	-	-	-	1194 777
	Right (107" W.B.)	1, 2	-	-	-	-	-	-	1	1	-	-	-	-	-	-	-	-	-	1195 882
	Left (107" W.B.)	1, 2	-	-	-	-	-	-	1	1	-	-	-	-	-	-	-	-	-	1195 883
	Right (107" W.B.)	1	-	-	-	-	-	-	-	1	-	-	-	-	-	-	-	-	-	1195 882
	Left (107" W.B.)	1	-	-	-	-	-	-	-	1	-	-	-	-	-	-	-	-	-	1195 883
	Right (131" W.B.)	1, 2	-	-	-	-	-	-	1	1	-	-	-	-	-	-	-	-	-	1195 884
	Left (131" W.B.)	1, 2	-	-	-	-	-	-	1	1	-	-	-	-	-	-	-	-	-	1195 885
	Right (131" W.B.)	1	-	-	-	-	-	-	-	-	1	-	-	-	-	-	-	-	-	1195 884
	Left (131" W.B.)	1	-	-	-	-	-	-	-	-	1	-	-	-	-	-	-	-	-	1195 885
	Right (131" W.B.)	2	-	-	-	-	-	-	-	-	1	-	-	-	-	-	-	-	-	1266 120
	Left (131" W.B.)	2	-	-	-	-	-	-	-	-	1	-	-	-	-	-	-	-	-	1266 121
	Right (161" W.B.)	1, 2	-	-	-	-	-	-	1	1	-	-	-	-	-	-	-	-	-	1195 886
	Left (161" W.B.)	1, 2	-	-	-	-	-	-	1	1	-	-	-	-	-	-	-	-	-	1195 887
	Right (161" W.B.)	1	-	-	-	-	-	-	-	-	1	-	-	-	-	-	-	-	-	1195 886
	Left (161" W.B.)	1	-	-	-	-	-	-	-	-	1	-	-	-	-	-	-	-	-	1195 887
	Right (140" W.B.)	1	-	-	-	-	-	-	-	-	-	1	-	-	-	-	-	-	-	1194 796
	Left (140" W.B.)	1	-	-	-	-	-	-	-	-	-	1	-	-	-	-	-	-	-	1194 797
	Right (212" W.B.)	1	-	-	-	-	-	-	-	-	-	1	-	-	-	-	-	-	-	1194 808
	Left (212" W.B.)	1	-	-	-	-	-	-	-	-	-	1	-	-	-	-	-	-	-	1194 809
	Right (107" W.B.)	1, 2	-	-	-	-	-	-	-	-	-	-	1	-	-	-	-	-	-	1196 156
	Left (107" W.B.)	1, 2	-	-	-	-	-	-	-	-	-	-	1	-	-	-	-	-	-	1196 157
	Right (131" W.B.)	1, 2	-	-	-	-	-	-	-	-	-	-	1	-	1	-	-	-	-	1196 152
	Left (131" W.B.)	1, 2	-	-	-	-	-	-	-	-	-	-	1	-	1	-	-	-	-	1196 153
	Right (161" W.B.)	1, 2	-	-	-	-	-	-	-	-	-	-	1	-	1	-	-	-	-	1196 154
	Left (161" W.B.)	1, 2	-	-	-	-	-	-	-	-	-	-	1	-	1	-	-	-	-	1196 155
	Right (154" W.B.)	1, 2	-	-	-	-	-	-	-	-	-	-	-	-	1	-	-	-	-	1196 430
	Left (154" W.B.)	1, 2	-	-	-	-	-	-	-	-	-	-	-	-	1	-	-	-	-	1196 431

★Indicates use as required.

Prices and specifications subject to change without notice.

☐Indicates parts not listed in any previous parts books.

Series No. (1 indicates B-1 Series) (2 indicates B-2 Series) (3 indicates B-3 Series) (4 indicates B-4 Series)

Where no Series No. is shown part is for B-1, B-2, B-3 and B-4 Series.

Printed in U.S.A.

CODE	PART NAME AND DESCRIPTION	SERIES NO.	MODEL CODES													PART NO.		
			B	C	D	F	G	H & HH	FM	GM	HM & HHM	J	JM	K	KM		R	T
FRAME SIDE RAIL - Cont'd																		
13-03-2	RAIL																	
	Right (229" W.B.) (School Bus)	1	-	-	-	-	-	-	-	-	-	-	-	-	1	-	-	-
	Right (229" W.B.) (Export)	1	-	-	-	-	-	-	-	-	-	-	-	-	-	-	-	-
	Right (130" W.B.)	1,2	-	-	-	-	-	-	-	-	-	-	-	-	-	1	1	-
	Left (130" W.B.)	1,2	-	-	-	-	-	-	-	-	-	-	-	-	-	1	1	-
	Right (136" W.B.)	1,2	-	-	-	-	-	-	-	-	-	-	-	-	-	1	1	-
	Left (136" W.B.)	1,2	-	-	-	-	-	-	-	-	-	-	-	-	-	1	1	-
13-03-9	REINFORCEMENT, Rear Right																	
	(192" W.B.)	1,2	-	-	-	1	1	1	-	-	-	-	-	-	-	-	-	-
	Rear Left (192" W.B.)	1,2	-	-	-	1	1	1	-	-	-	-	-	-	-	-	-	-
	Right (152" W.B.)	1	-	-	-	1	-	1	-	-	1	-	-	-	-	-	-	-
	Left (152" W.B.)	1	-	-	-	1	-	1	-	-	1	-	-	-	-	-	-	-
	Rear Right (212" W.B.)	1,2	-	-	-	-	-	-	-	-	1	-	1	-	-	-	-	-
	Rear Left (212" W.B.)	1,2	-	-	-	-	-	-	-	-	1	-	1	-	-	-	-	-
	Rear Right (229" W.B.)	1,2	-	-	-	-	-	-	-	-	-	-	-	-	1	-	-	-
	Rear Left (229" W.B.)	1,2	-	-	-	-	-	-	-	-	-	-	-	-	1	-	-	-
	Rivet	1,2	-	-	-	4	4	4	-	-	4	-	4	-	4	-	-	-
13-03-11	BRACE, Steering Gear, Left																	
	Left	1	1	1	1	-	-	-	-	-	-	-	-	-	-	-	-	-
	(Domestic)	1	-	-	-	-	-	-	-	-	-	-	-	-	1	-	-	-
	(229" W.B.) (Export)	1	-	-	-	-	-	-	-	-	-	-	-	-	1	-	-	-
		1	-	-	-	-	-	-	-	-	-	-	-	-	1	1	-	-
		2	-	-	-	-	-	-	-	-	-	-	-	-	1	1	1	-
		3	-	-	-	-	-	-	-	-	-	-	-	-	1	1	1	-
	Bolt, 3/8" -24 x 1"	-	9	9	9	9	9	9	-	-	9	-	9	-	-	-	-	-
	Nut	-	9	9	9	9	9	9	-	-	9	-	9	-	-	-	-	-
	Washer, lock	-	9	9	9	9	9	9	-	-	9	-	9	-	-	-	-	-
	Rivet	-	2	-	2	6	6	6	-	-	6	-	6	-	-	-	-	-
		-	4	4	4	6	6	6	-	-	6	-	6	-	-	-	-	-
13-03-12	REINFORCEMENT, Steering Gear																	
	Left	-	1	1	1	-	-	-	-	-	-	-	-	-	-	-	-	-
	Left	1,2	-	-	-	1	1	1	-	-	1	-	1	-	-	-	-	-
	Cross Bar Frame, Inner (B-3-R and B-4-R except 229" W. B.)	3,4	-	-	-	1	1	1	-	-	1	-	1	-	-	-	-	-
	Outer (B-3-R and B-4-R except 229" W. B.)	3,4	-	-	-	1	1	1	-	-	1	-	1	-	-	-	-	-
	(B-1-R 229" W. B. up to serial No. 81857131)	1	-	-	-	-	-	-	-	-	-	-	-	-	1	-	-	-
	(B-1-R 229" W. B. after serial No. 81857131)	1	-	-	-	-	-	-	-	-	-	-	-	-	1	-	-	-
	(B-2-R 229" W. B.)	2,3,4	-	-	-	-	-	-	-	-	-	-	-	-	1	1	1	-
PROPELLER SHAFT CENTER BEARING CROSSMEMBER																		
13-05-1	CROSSMEMBER																	
	(131" and 161" W. B.)	-	-	-	-	1	1	1	-	-	-	-	-	-	-	-	-	-
	(128" W. B.)	-	-	-	-	-	-	-	1	1	1	-	-	-	-	-	-	-
	(140", 152" and 170" W. B.)	-	-	-	-	-	-	-	-	-	1	-	1	-	-	-	-	-
	(212" W. B.)	-	-	-	-	-	-	-	-	-	2	-	2	-	-	-	-	-
	(131" and 161" W. B.)	-	-	-	-	-	-	-	-	-	-	1	-	1	-	-	-	-
	(130" W. B.)	-	-	-	-	-	-	-	-	-	-	-	-	-	1	1	1	-
	(136", 142", 172" and 190" W. B.)	-	-	-	-	-	-	-	-	-	-	-	-	-	1	1	1	-
	(229" W. B.)	-	-	-	-	-	-	-	-	-	-	-	-	-	2	-	-	-
		-	-	-	-	-	-	-	-	-	-	-	-	-	-	-	1	-

★ Indicates use as required.

☐ Indicates parts not listed in any previous parts books.

Series No. (1 indicates B-1 Series) (2 indicates B-2 Series) (3 indicates B-3 Series) (4 indicates B-4 Series)

Where no Series No. is shown part is for B-1, B-2, B-3 and B-4 Series.

Prices and specifications subject to change without notice.

CODE	PART NAME AND DESCRIPTION	SERIES NO.	MODEL CODES													PART NO.				
			B	C	D	F	G	H & HH	FM	GM	HM & HHM	J	JM	K	KM		R	T	V	Y
PROPELLER SHAFT CENTER BEARING CROSSMEMBER - Cont'd																				
13-05-2	REINFORCEMENT (128", 152" and 170" W. B.)	2, 3, 4	-	-	-	1	1	1	-	-	-	-	-	-	-	-	-	-	-	562 136
	(192" W. B.)	1, 2, 3	-	-	-	1	1	1	-	-	-	-	-	-	-	-	-	-	-	1260 841
	(192" W. B.)	4	-	-	-	-	-	1	-	-	-	-	-	-	-	-	-	-	-	E1502 020
	(131" and 161" W. B.)	-	-	-	-	-	-	-	1	1	1	-	-	-	-	-	-	-	-	562 136
	(128" W. B.)	-	-	-	-	-	-	-	-	-	1	-	1	-	-	-	-	-	-	562 136
	(140", 152" and 170" W. B.)	-	-	-	-	-	-	-	-	-	1	-	1	-	-	-	-	-	-	562 406
	(212" W. B.)	-	-	-	-	-	-	-	-	-	2	-	2	-	-	-	-	-	-	562 406
	(131" and 161" W. B.)	-	-	-	-	-	-	-	-	-	2	-	2	-	-	-	-	-	-	562 406
	REINFORCEMENT (192" W. B.) (rear)	4	-	-	-	-	1	-	-	-	-	-	-	-	-	-	-	-	-	E1501 569
	(212" W. B.) (rear)	4	-	-	-	-	-	-	-	-	1	-	-	-	-	-	-	-	-	E1501 569
	(229" W. B.) (rear)	4	-	-	-	-	-	-	-	-	-	-	-	1	-	-	-	-	-	E1501 569
	(130" W. B.)	-	-	-	-	-	-	-	-	-	-	-	-	1	1	1	-	-	-	562 136
	(136", 142", 154", 172" and 190" W. B.)	-	-	-	-	-	-	-	-	-	-	-	-	1	1	1	-	-	-	562 406
	(229" W. B.)	-	-	-	-	-	-	-	-	-	-	-	-	2	-	-	-	-	-	562 406
		-	-	-	-	-	-	-	-	-	-	-	-	-	-	-	-	1	-	562 406
13-05-3	BRACE, Right (140" W. B.)	1, 2, 3	-	-	-	-	-	-	-	-	1	-	1	-	-	-	-	-	-	584 278
	Left (140" W. B.)	1, 2, 3	-	-	-	-	-	-	-	-	1	-	1	-	-	-	-	-	-	584 279
	Crossmember (140" W. B.)	4	-	-	-	-	-	-	-	-	2	-	2	-	-	-	-	-	-	537 953
	(152" and 170" W. B.)	-	-	-	-	-	-	-	-	-	2	-	2	-	-	-	-	-	-	537 953
	(212" W. B.)	-	-	-	-	-	-	-	-	-	4	-	4	-	-	-	-	-	-	537 953
	(131" and 161" W. B.)	-	-	-	-	-	-	-	-	-	2	-	2	-	-	-	-	-	-	537 953
	(136", 142", 154", 172" and 190" W. B.)	-	-	-	-	-	-	-	-	-	-	-	-	2	2	2	-	-	-	1196 204
	(229" W. B.)	-	-	-	-	-	-	-	-	-	-	-	-	4	-	-	-	-	-	1196 204
		-	-	-	-	-	-	-	-	-	-	-	-	-	-	-	-	2	-	1196 204
	RIVET	-	-	-	-	-	-	-	-	-	★	★	★	★	★	★	★	★	★	104 113
FRAME INTERMEDIATE CROSSMEMBER																				
13-16-2	CROSSMEMBER (B-2-B after serial No. 82165505 except 82165701 thru 82185708 Det. Built, after 85302223 except 85302231 thru 85302256 S. L. Built. B-2-C after serial No. 83347174 Det. Built and after 85506625 except 85507127 thru 85507129. B-2-D after serial No. 81285215 Det. Built and after 86008711 S. L. Built).	2 3 4	1 1 1	1 1 1	- - -	- - -	- - -	- - -	- - -	- - -	- - -	- - -	- - -	- - -	- - -	- - -	- - -	- - -	- - -	1268 421 1268 421 E1500 897
	(192" W. B.)	2, 3, 4	-	-	1	1	1	-	-	-	-	-	-	-	-	-	-	-	-	580 441
	(107" and 161" W. B.)	-	-	-	-	-	-	-	-	-	-	1	-	1	-	-	-	-	-	580 441
	Bolt, 3/8"-24 x 1"	2, 3, 4	8	8	8	-	-	-	-	-	-	-	-	-	-	-	-	-	-	120 647
	Nut	2, 3, 4	8	8	8	-	-	-	-	-	-	-	-	-	-	-	-	-	-	120 369
	Washer, lock	2, 3, 4	8	8	8	-	-	-	-	-	-	-	-	-	-	-	-	-	-	120 382
FRAME REAR CROSSMEMBER																				
13-18-4	CROSSMEMBER (170", 192" W. B.)	-	-	-	1	1	1	-	-	-	-	-	-	-	-	-	-	-	-	562 862
	(152" W. B.) (School Bus)	-	-	-	1	-	-	-	-	-	-	-	-	-	-	-	-	-	-	562 862
	(161" W. B.)	-	-	-	-	-	-	1	1	1	-	1	-	1	-	-	-	-	-	562 862

★Indicates use as required.

Prices and specifications subject to change without notice.

E1Indicates parts not listed in any previous parts books.

Series No. (1 indicates B-1 Series) (2 indicates B-2 Series) (3 indicates B-3 Series) (4 indicates B-4 Series)

Where no Series No. is shown part is for B-1, B-2, B-3 and B-4 Series.

December 31, 1952

CODE	PART NAME AND DESCRIPTION	SERIES NO.	MODEL CODES													PART NO.			
			B	C	D	F	G	H & HH	FM	GM	HM & HHM	J	JM	K	KM		R	T	V
FRAME REAR CROSSMEMBER - Cont'd																			
13-18-4	CROSSMEMBER (140", 152", 170" and 212" W. B.)	-	-	-	-	-	-	-	-	-	-	1	-	1	-	-	-	-	562 862
	(154", 172", 190" and 229" W. B.)	-	-	-	-	-	-	-	-	-	-	-	-	-	1	1	1	-	562 862
	(154", 172" and 190" W. B.) . . .	-	-	-	-	-	-	-	-	-	-	-	-	-	-	-	1	-	562 862
FRAME REAR SPRING INTERMEDIATE CROSSMEMBER																			
13-19-1	CROSSMEMBER, Rear (126" W. B.)	-	-	1	-	-	-	-	-	-	-	-	-	-	-	-	-	-	1271 840
FRAME REAR SPRING FRONT CROSSMEMBER																			
13-23-1	CROSSMEMBER	-	1	1	1	-	-	-	-	-	-	-	-	-	-	-	-	-	1271 840
	Front Bracket, w/GUSSET	-	-	-	1	1	1	-	-	-	-	-	-	-	-	-	-	-	574 025
	Front Bracket, w/GUSSET (131" and 161" W. B.)	-	-	-	-	-	-	1	1	1	-	1	-	1	-	-	-	-	574 025
	Front Bracket (128" W. B.)	-	-	-	-	-	-	-	-	-	1	-	1	-	-	-	-	-	1193 232
	w/GUSSET (140", 152", 170" and 212" W. B.)	2,3,4	-	-	-	-	-	-	-	-	1	-	1	-	-	-	-	-	574 025
	Front Bracket (107" W. B.)	-	-	-	-	-	-	-	-	-	-	1	-	1	-	-	-	-	1193 232
	(130", 136", and 140" W. B.) . . .	-	-	-	-	-	-	-	-	-	-	-	-	-	1	1	1	1	1193 232
	w/GUSSET (229" W. B.)	-	-	-	-	-	-	-	-	-	-	-	-	-	1	-	-	-	574 025
	(154", 172", and 190" W. B.) . . .	-	-	-	-	-	-	-	-	-	-	-	-	1	1	1	1	-	574 025
FRAME REAR SPRING REAR CROSSMEMBER																			
13-24-1	CROSSMEMBER	-	1	1	-	-	-	-	-	-	-	-	-	-	-	-	-	-	589 653
	(116" W. B.)	-	-	1	-	-	-	-	-	-	-	-	-	-	-	-	-	-	589 653
	Bracket	-	-	-	1	1	1	-	-	-	-	-	-	-	-	-	-	-	562 862
	Rear Bracket	-	-	-	-	-	-	2	2	2	-	-	-	-	-	-	-	-	562 862
	(128" W. B.)	-	-	-	-	-	-	-	-	-	2	-	2	-	-	-	-	-	1195 930
	(140", 152", 170", and 212" W. B.)	-	-	-	-	-	-	-	-	-	2	-	2	-	-	-	-	-	562 862
	(107" W. B.)	-	-	-	-	-	-	-	-	-	-	2	-	2	-	-	-	-	1195 930
	(131" and 161" W. B.)	-	-	-	-	-	-	-	-	-	-	2	-	2	-	-	-	-	562 862
	(130", 136" and 142" W. B.)	-	-	-	-	-	-	-	-	-	-	-	-	-	1	1	1	1	1193 232
	(154", 172" and 190" W. B.)	-	-	-	-	-	-	-	-	-	-	-	-	-	1	1	1	1	562 862
	(229" W. B.)	-	-	-	-	-	-	-	-	-	-	-	-	-	1	-	-	-	562 862
FRAME CLINCH NUT																			
13-32-1	NUT, Steering Gear Weld (left rail)	-	-	-	-	-	-	2	2	2	-	2	-	2	-	-	-	-	657 419
BATTERY SUPPORT AND PLATE																			
13-33-1	SUPPORT	2,3,4	1	1	1	-	-	-	-	-	-	-	-	-	-	-	-	-	1271 000
	PLATE, w/SUPPORT	-	-	-	-	-	-	1	1	1	-	1	-	1	-	-	-	-	1260 637
	Bolt, 3/8" -24 x 3/4"	-	-	-	-	-	-	4	4	4	-	4	-	4	-	-	-	-	123 520
	Washer, lock	-	-	-	-	-	-	4	4	4	-	4	-	4	-	-	-	-	120 382
13-33-23	STRAP	-	1	1	1	-	-	-	-	-	-	-	-	-	-	-	-	-	1195 632
	w/BRACKET (except School Bus). (152", 170" and 192" W. B.)	-	-	-	1	1	1	-	-	-	1	-	1	-	1	1	1	1	1195 631
	(School Bus)	-	-	-	1	1	1	-	-	-	-	-	-	-	-	-	-	-	1261 091

★Indicates use as required.

⊠Indicates parts not listed in any previous parts books.

Series No. (1 indicates B-1 Series) (2 indicates B-2 Series) (3 indicates B-3 Series) (4 indicates B-4 Series)

Where no Series No. is shown part is for B-1, B-2, B-3 and B-4 Series.

Prices and specifications subject to change without notice.

CODE	PART NAME AND DESCRIPTION	SERIES NO.	MODEL CODES													PART NO.			
			B	C	D	F	G	H & HH	FM	GM	HM & HHM	J	JM	K	KM		R	T	V
BATTERY SUPPORT AND PLATE - Cont'd																			
13-33-23	STRAP																		
	(212" W. B.) (School Bus)	-	-	-	-	-	-	-	-	-	-	1	-	-	-	-	-	-	1261 091
	(229" W. B.) (School Bus)	-	-	-	-	-	-	-	-	-	-	-	-	-	-	1	-	-	1261 122
	Bolt, 3/8"-24 x 3/4" (bracket)	-	2	2	2	-	-	-	-	-	-	-	-	-	-	-	-	-	123 520
	Bolt, 3/8"-24 x 1" (bracket)	-	-	-	-	2	2	2	-	-	-	2	-	2	-	2	2	2	120 647
	Nut	-	2	2	2	2	2	2	-	-	-	2	-	2	-	2	2	2	120 369
	Washer, lock	-	2	2	2	2	2	2	-	-	-	2	-	2	-	2	2	2	120 382
	Washer, plain	-	-	-	-	2	2	2	-	-	-	2	-	2	-	2	2	2	120 394
	Bolt, 5/16"-24 x 3/4" (step hanger)	-	-	-	-	2	2	2	-	-	-	2	-	2	-	2	2	2	120 741
	Nut	-	-	-	-	2	2	2	-	-	-	2	-	2	-	2	2	2	120 368
	Washer, lock	-	-	-	-	2	2	2	-	-	-	2	-	2	-	2	2	2	120 214
	Washer, plain	-	-	-	-	2	2	2	-	-	-	2	-	2	-	2	2	2	120 387
13-33-26	BRACE								1	1	1	-	1	-	1	-	-	-	1263 905
	BRACE (School Bus)	2, 3, 4	-	-	-	1	1	1	-	-	-	1	-	1	-	-	-	-	1268 937
	BRACE (School Bus)	3, 4	-	-	-	-	-	-	-	-	-	-	-	-	-	1	-	-	1268 377
	Bolt, 5/16"-24 x 5/8"	-	-	-	-	-	-	-	1	1	1	-	1	-	1	-	-	-	123 473
	Nut	-	-	-	-	-	-	-	1	1	1	-	1	-	1	-	-	-	120 368
	Washer, lock	-	-	-	-	-	-	-	1	1	1	-	1	-	1	-	-	-	120 214
	Bolt or Screw, 3/8" -16 x 1"	-	-	-	-	-	-	-	1	1	1	-	1	-	1	-	-	-	120 233
	Nut	-	-	-	-	-	-	-	1	1	1	-	1	-	1	-	-	-	120 377
	Washer, lock	-	-	-	-	-	-	-	1	1	1	-	1	-	1	-	-	-	120 382
	Washer, plain	-	-	-	-	-	-	-	1	1	1	-	1	-	1	-	-	-	120 394
13-33-61	TRAY, Battery		1	1	1	-	-	-	-	-	-	-	-	-	-	-	-	-	957 777
	(except School Bus)	-	-	-	-	-	-	-	-	-	-	-	-	-	-	1	-	-	1195 864
	(229" W. B. School Bus)	-	-	-	-	-	-	-	-	-	-	-	-	-	-	-	1	1	1196 027
	Bolt or Screw, 5/16"-18 x 5/8"	-	2	2	2	2	2	2	2	2	2	2	2	2	2	2	2	2	120 228
13-33-64	TUBE, Battery Tray Drain		-	-	-	-	-	-	1	1	1	-	1	-	1	-	-	-	1267 755
BATTERY HOLD-DOWN COVER																			
13-34-3	COVER		1	1	1	-	-	-	-	-	-	-	-	-	-	-	-	-	1189 198
	(except School Bus)	-	-	-	-	1	1	1	1	1	1	1	1	1	1	-	-	-	923 523
	(School Bus)	-	-	-	-	1	1	1	-	-	-	1	-	-	-	1	-	-	1195 867
	(School Bus)	-	-	-	-	1	1	1	-	-	-	1	-	-	-	1	-	-	1196 029
13-34-6	BOLT (3/8"-16 x 12")		2	2	2	2	2	2	2	2	2	2	2	2	2	2	2	2	589 496
	Nut	-	2	2	2	2	2	2	2	2	2	2	2	2	2	2	2	2	120 377
	Pin, cotter	-	2	2	2	2	2	2	2	2	2	2	2	2	2	2	2	2	103 373
	Washer, lock	-	2	2	2	2	2	2	2	2	2	2	2	2	2	2	2	2	120 382
	Washer, plain	-	2	2	2	2	2	2	2	2	2	2	2	2	2	2	2	2	120 394
CAB SUPPORT OR CAB HOLD-DOWN BRACKET																			
13-39-26	BRACKET, Front Right		1	1	1	1	1	1	-	-	-	1	-	1	-	1	1	1	1195 422
	Front Right	-	-	-	-	-	-	-	1	1	1	-	1	-	1	-	-	-	1260 510
	Rear Right	-	-	-	-	-	-	-	1	1	1	-	1	-	1	-	-	-	1260 514
	Front Left	-	1	1	1	1	1	1	-	-	-	1	-	1	-	1	1	1	1195 423
	Front Left	-	-	-	-	-	-	-	1	1	1	-	1	-	1	-	-	-	1260 511
	Rear Left	-	-	-	-	-	-	-	1	1	1	-	1	-	1	-	-	-	1260 515
	Rear	-	2	2	2	-	-	-	-	-	-	-	-	-	-	-	-	-	1195 568
	Rear	-	-	-	-	2	2	2	-	-	-	2	-	2	-	2	2	2	1195 569
	Front Crossmember	-	-	-	-	-	-	-	2	2	2	-	2	-	2	-	-	-	1260 524
	Bolt, 3/8" -24 x 1 1/4"	-	★	★	★	★	★	★	-	-	-	★	-	★	-	★	★	★	121 615
	Nut	-	★	★	★	★	★	★	-	-	-	★	-	★	-	★	★	★	120 369
	Washer, lock	-	★	★	★	★	★	★	-	-	-	★	-	★	-	★	★	★	120 382
	Bolt, 7/16" -20 x 1"	-	-	-	-	-	-	-	8	8	8	-	8	-	8	-	-	-	123 567

★Indicates use as required.

□Indicates parts not listed in any previous parts books.

Series No. (1 indicates B-1 Series) (2 indicates B-2 Series) (3 indicates B-3 Series) (4 indicates B-4 Series)

Where no Series No. is shown part is for B-1, B-2, B-3 and B-4 Series.

December 31, 1952

Prices and specifications subject to change without notice.

Printed in U.S.A.

CODE	PART NAME AND DESCRIPTION	SERIES NO.	MODEL CODES													PART NO.			
			B	C	D	F	G	H & HH	FM	GM	HM & HHM	J	JM	K	KM		R	T	V
CAB SUPPORT OR CAB HOLD-DOWN BRACKET - Cont'd																			
13-39-26	Nut	-	-	-	-	-	-	-	-	8	8	8	-	8	-	8	-	-	120 370
	Washer, lock	-	-	-	-	-	-	-	-	8	8	8	-	8	-	8	-	-	120 383
	Bolt, 1/2" -20 x 1 1/4"	-	-	-	-	-	-	-	-	16	16	16	-	16	-	16	-	-	120 424
	Nut	-	-	-	-	-	-	-	-	16	16	16	-	16	-	16	-	-	120 371
	Washer, lock	-	-	-	-	-	-	-	-	16	16	16	-	16	-	16	-	-	120 384
13-39-49	CROSSMEMBER, Front	-	-	-	-	-	-	-	-	1	1	1	-	1	-	1	-	-	1260 523
	Rear	-	-	-	-	-	-	-	-	1	1	1	-	1	-	1	-	-	1260 520
	Bolt, 7/16" -20 x 1"	-	-	-	-	-	-	-	-	8	8	8	-	8	-	8	-	-	123 567
	Nut	-	-	-	-	-	-	-	-	8	8	8	-	8	-	8	-	-	120 370
	Washer, lock	-	-	-	-	-	-	-	-	8	8	8	-	8	-	8	-	-	120 384
	Rivet	-	-	-	-	-	-	-	-	10	10	10	-	10	-	10	-	-	104 113
FRAME EXTENSION																			
13-42-5	EXTENSION, Rear Right (170" W.B.) (School Bus)	-	-	-	1	1	-	-	-	-	-	-	-	-	-	-	-	-	1190 120
	Left (170" W.B.) (School Bus)	-	-	-	1	1	-	-	-	-	-	-	-	-	-	-	-	-	1190 121
	Rivet	-	-	-	8	8	-	-	-	-	-	-	-	-	-	-	-	-	108 684
	Rivet	-	-	-	12	12	-	-	-	-	-	-	-	-	-	-	-	-	104 131
FRAME GUSSET																			
13-46-7	GUSSET, Intermediate, Right Front (152" W.B. up to serial No. 80309004, 170" W.B. up to serial No. 80312899) (192" W.B.)	1	-	-	2	-	2	-	-	-	-	-	-	-	-	-	-	-	548 011
	Rear Right (192" W.B.)	2, 3, 4	-	-	2	2	2	-	-	-	-	-	-	-	-	-	-	-	548 010
	Crossmember, Right Front and Left Rear (192" W.B.)	-	-	-	2	2	2	-	-	-	-	-	-	-	-	-	-	-	548 011
	Right Rear and Left Front (107" and 161" W.B.)	-	-	-	-	-	-	2	2	2	-	2	-	2	-	-	-	-	548 010
	Left Rear and Right Front (107" and 161" W.B.)	-	-	-	-	-	-	2	2	2	-	2	-	2	-	-	-	-	548 011
13-46-11	GUSSET, Propeller Shaft Center Bearing Crossmember, Right (128", 152", 170" W.B.)	-	-	-	1	1	1	-	-	-	-	-	-	-	-	-	-	-	548 010
	Left (128", 152", 170" W.B.)	-	-	-	1	1	1	-	-	-	-	-	-	-	-	-	-	-	548 011
	Right (192" W.B.)	-	-	-	2	2	2	-	-	-	-	-	-	-	-	-	-	-	548 010
	Left (192" W.B.)	-	-	-	2	2	2	-	-	-	-	-	-	-	-	-	-	-	548 011
	Right Rear and Left Front (131" and 161" W.B.)	-	-	-	-	-	-	2	2	2	-	-	-	-	-	-	-	-	548 010
	Left Rear and Right Front (131" and 161" W.B.)	-	-	-	-	-	-	2	2	2	-	-	-	-	-	-	-	-	548 011
	Right (128" W.B.)	-	-	-	-	-	-	-	-	-	2	-	2	-	-	-	-	-	548 010
	Left (128" W.B.)	-	-	-	-	-	-	-	-	-	2	-	2	-	-	-	-	-	548 011
	Right Rear and Left Front (130" W.B.)	-	-	-	-	-	-	-	-	-	-	-	-	-	2	2	2	-	548 010
	Right Front and Left Rear (130" W.B.)	-	-	-	-	-	-	-	-	-	-	-	-	-	2	2	2	-	548 011
	Bolt, 3/8" -24 x 1 1/4"	-	-	-	-	-	-	2	2	2	-	-	-	-	-	-	-	-	121 615
	Nut	-	-	-	-	-	-	2	2	2	-	-	-	-	-	-	-	-	120 369
	Washer, lock	-	-	-	-	-	-	2	2	2	-	-	-	-	-	-	-	-	120 382
	Bolt, 7/16" -20 x 1 1/2"	-	-	-	4	4	4	4	4	4	4	4	4	4	4	4	4	4	123 852
	Washer, lock	-	-	-	4	4	4	4	4	4	4	4	4	4	4	4	4	4	120 383
	Rivet	-	-	-	-	-	-	-	-	-	-	-	-	-	8	8	8	-	104 113
13-46-16	GUSSET, Rear Spring Rear Bracket Crossmember, Right Rear and Left Front (128" W.B.)	-	-	-	-	-	-	-	-	-	-	-	2	-	2	-	-	-	1195 928

★ Indicates use as required.

☐ Indicates parts not listed in any previous parts books.

Series No. (1 indicates B-1 Series) (2 indicates B-2 Series) (3 indicates B-3 Series) (4 indicates B-4 Series)

Where no Series No. is shown part is for B-1, B-2, B-3 and B-4 Series.

Prices and specifications subject to change without notice.

CODE	PART NAME AND DESCRIPTION	SERIES NO.	MODEL CODES													PART NO.				
			B	C	D	F	G	H & HH	FM	GM	HM & HHM	J	JM	K	KM		R	T	V	Y
FRAME GUSSET - Cont'd																				
13-46-16	GUSSET, Rear Spring Rear Bracket Crossmember, Right Rear and Left Front (107" W.B.)	-	-	-	-	-	-	-	-	-	-	-	-	2	-	2	-	-	-	1195 928
	Left Rear and Right Front (128" W.B.)	-	-	-	-	-	-	-	-	-	-	-	2	-	2	-	-	-	-	1195 929
	(107" W.B.)	-	-	-	-	-	-	-	-	-	-	-	2	-	2	-	-	-	-	1195 929
RUNNING BOARD HANGERS																				
13-48-1	HANGER, Front Right	-	1	1	1	-	-	-	-	-	-	-	-	-	-	-	-	-	-	1195 414
	Left	-	1	1	1	-	-	-	-	-	-	-	-	-	-	-	-	-	-	1195 537
	Intermediate (108" W.B.)	-	2	-	-	-	-	-	-	-	-	-	-	-	-	-	-	-	-	1195 414
	(B-4-B 116" W.B.) (Intermediate Front)	-	2	2	2	-	-	-	-	-	-	-	-	-	-	-	-	-	-	1195 414
	(B-4-B 116" W.B.) Rear	-	2	2	2	-	-	-	-	-	-	-	-	-	-	-	-	-	-	1195 861
	Rear (long board) (116" W.B.)	-	-	2	2	-	-	-	-	-	-	-	-	-	-	-	-	-	-	1195 861
	Rear (Express)	-	2	-	-	-	-	-	-	-	-	-	-	-	-	-	-	-	-	1195 861
	(except Express)	-	-	2	2	-	-	-	-	-	-	-	-	-	-	-	-	-	-	1195 861
	(long boards)	-	-	2	2	-	-	-	-	-	-	-	-	-	-	-	-	-	-	1195 414
	Front Right	-	-	-	1	1	1	-	-	1	-	1	-	1	-	1	1	1	1	1195 600
	Left	-	-	-	1	1	1	-	-	1	-	1	-	1	-	1	1	1	1	1195 625
	Front	-	-	-	-	-	-	2	2	2	-	2	-	2	-	2	-	-	-	1195 600
	Rear	-	-	-	2	2	2	2	2	2	2	2	2	2	2	2	2	2	2	1195 600
	Bolt, 3/8"-24 x 1"	-	18	24	24	-	-	-	-	-	-	-	-	-	-	-	-	-	-	120 647
	Bolt, 3/8"-24 x 1 1/4" (rear bracket)	-	-	-	6	6	6	6	12	12	12	6	12	6	12	6	6	6	6	121 615
	Nut	-	18	24	24	6	6	6	12	12	12	6	12	6	12	6	6	6	6	120 369
	Washer, lock	-	18	24	24	6	6	6	12	12	12	6	12	6	12	6	6	6	6	120 382
	Rivet	-	-	-	7	7	7	-	-	-	-	-	3	-	3	3	3	3	3	104 113
		-	-	-	-	-	-	-	-	-	-	-	4	-	4	4	4	4	4	108 684
FRONT SPRING HANGER OR BRACKET																				
13-53-3	HANGER, Front	-	2	2	2	-	-	-	-	-	-	-	-	-	-	-	-	-	-	589 679
	BRACKET, Front Right	-	-	-	1	1	1	1	1	1	1	1	1	1	1	-	-	-	-	1195 898
	Left	-	-	-	1	1	1	1	1	1	1	1	1	1	-	-	-	-	-	1193 760
	Front (except 229" W.B.)	-	-	-	-	-	-	-	-	-	-	-	-	-	2	-	-	-	-	1195 806
	(R series 229" W.B.)	-	-	-	-	-	-	-	-	-	-	-	-	-	2	2	2	-	-	1196 197
		-	-	-	-	-	-	-	-	-	-	-	-	-	-	-	-	-	-	1267 189
13-53-17	BRACKET, Rear	-	2	2	2	-	-	-	-	-	-	-	-	-	-	-	-	-	-	1194 163
	(except 229" W.B.)	-	-	-	2	2	2	2	2	2	2	2	2	2	-	-	-	-	-	1193 759
	w/BUSHING (229" W.B.)	-	-	-	-	-	-	-	-	-	-	-	-	-	2	2	2	-	-	1195 807
	w/BUSHING	-	-	-	-	-	-	-	-	-	-	-	-	-	2	2	2	-	-	1196 198
13-53-20	REINFORCEMENT, Side Rail	-	2	2	2	-	-	-	-	-	-	-	-	-	-	-	-	-	-	1267 188
13-53-22	BUSHING, Rear Bracket	-	-	-	2	2	2	2	2	2	2	2	2	2	-	-	-	-	-	1194 340
	(except 229" W.B.)	-	-	-	-	-	-	-	-	-	-	-	-	-	2	-	-	-	-	595 524
	(R series 229" W.B.)	-	-	-	-	-	-	-	-	-	-	-	-	-	2	2	2	2	2	595 524
		-	-	-	-	-	-	-	-	-	-	-	-	-	2	2	2	2	2	1090 264
REAR SPRING HANGER OR BRACKET																				
13-54-4	BRACKET, Front	-	2	2	2	-	-	-	-	-	-	-	-	-	-	-	-	-	-	590 417
		-	-	-	2	2	2	2	2	2	2	2	2	2	-	-	-	-	-	588 025
		-	-	-	-	-	-	-	-	-	2	2	2	2	2	-	-	-	-	589 574
		-	-	-	-	-	-	-	-	-	-	-	-	-	-	-	2	2	2	1196 326
13-54-15	BRACKET, Rear	-	2	2	-	-	-	-	-	-	-	-	-	-	-	-	-	-	-	573 505
		-	-	2	-	-	-	-	-	-	-	-	-	-	-	-	-	-	-	576 032

★Indicates use as required.

Prices and specifications subject to change without notice.

☐Indicates parts not listed in any previous parts books.

Series No. (1 indicates B-1 Series) (2 indicates B-2 Series) (3 indicates B-3 Series) (4 indicates B-4 Series)

Where no Series No. is shown part is for B-1, B-2, B-3 and B-4 Series.

December 31, 1952

CODE	PART NAME AND DESCRIPTION	SERIES NO.	MODEL CODES													PART NO.			
			B	C	D	F	G	H & HH	FM	GM	HM & HHM	J	JM	K	KM		R	T	V
REAR SPRING HANGER OR BRACKET - Cont'd																			
13-54-15	BRACKET, Rear	-	-	-	-	2	2	2	2	2	2	2	-	-	-	-	-	-	588 025
-	-	-	-	-	-	-	-	-	-	-	-	-	2	2	2	2	-	-	589 575
-	-	-	-	-	-	-	-	-	-	-	-	-	-	-	-	2	2	2	1196 327
TOW HOOK																			
13-61-2	HOOK	1,2	2	2	2	2	2	2	2	2	2	2	2	2	2	2	2	2	1195 387
-	Bolt, 1/2"-20 x 2 1/2"	3,4	2	2	2	2	2	2	2	2	2	2	2	2	2	2	2	2	1272 823
-	Nut	-	4	4	4	4	4	4	4	4	4	4	4	4	4	4	4	4	124 180
-	Washer, lock	-	4	4	4	4	4	4	4	4	4	4	4	4	4	4	4	4	120 371
-	-	-	4	4	4	4	4	4	4	4	4	4	4	4	4	4	4	4	120 384
PINTLE HOOK																			
13-62-2	HOOK, Assembly	1,2	-	-	-	-	-	1	-	-	-	-	-	-	-	-	-	-	920 762
-	HOOK	1,2	-	-	-	-	-	1	-	-	-	-	-	-	-	-	-	-	928 361
13-62-4	PIN	1,2	-	-	-	-	-	1	-	-	-	-	-	-	-	-	-	-	929 843
13-62-6	LATCH	1,2	-	-	-	-	-	1	-	-	-	-	-	-	-	-	-	-	928 364
13-62-7	ROLLER, Latch	1,2	-	-	-	-	-	1	-	-	-	-	-	-	-	-	-	-	928 366
13-62-8	PIN, Latch Roller	1,2	-	-	-	-	-	1	-	-	-	-	-	-	-	-	-	-	928 367
13-62-9	SPRING, Latch	1,2	-	-	-	-	-	1	-	-	-	-	-	-	-	-	-	-	928 368
13-62-10	PIN, Latch	1,2	-	-	-	-	-	1	-	-	-	-	-	-	-	-	-	-	928 365
-	Bolt, 5/8"-18 x 2"	1,2	-	-	-	-	-	4	-	-	-	-	-	-	-	-	-	-	124 244
-	Nut	1,2	-	-	-	-	-	4	-	-	-	-	-	-	-	-	-	-	121 358
-	Washer, lock	1,2	-	-	-	-	-	4	-	-	-	-	-	-	-	-	-	-	121 574
-	Pin, cotter	1,2	-	-	-	-	-	1	-	-	-	-	-	-	-	-	-	-	137 254

FRONT BUMPER

Note 1: Parts were used UP TO the following serial numbers:

B-1-B 82095807	B-1-F, B-1-H 80357573	B-1-JM 8739494
B-1-C 83324813	B-1-J 82556125	B-1-R 81857155
B-1-D 81270088	B-1-FM, B-1-HM 83509701	B-1-T, B-1-V 81791451

Note 2: Parts were used AFTER the following serial numbers:

B-1-B 82095807	B-1-F, B-1-H 80357573	B-1-JM 8739494
B-1-C 83324813	B-1-J 82556125	B-1-R 81857155
B-1-D 81270088	B-1-FM, B-1-HM 83509701	B-1-T, B-1-V 81791451

13-64-3	BUMPER	-	1	1	1	-	-	-	-	-	-	-	-	-	-	-	-	-	1272 570
-	-	-	-	-	1	1	1	1	1	1	1	1	1	1	1	1	1	1	1272 556
-	Bolt, 1/2"-20 x 1 1/4"	-	8	8	8	8	8	8	8	8	8	8	8	8	8	8	8	8	1272 578
-	Nut	-	8	8	8	8	8	8	8	8	8	8	8	8	8	8	8	8	120 424
-	Washer, lock	-	8	8	8	8	8	8	8	8	8	8	8	8	8	8	8	8	120 371
-	-	-	8	8	8	8	8	8	8	8	8	8	8	8	8	8	8	8	120 384
13-64-16	REINFORCEMENT,																		
-	Right (to frame)	1,2	-	-	-	1	1	1	1	1	1	1	1	1	1	1	1	1	1260 714
-	Left (to frame)	1,2	-	-	-	1	1	1	1	1	1	1	1	1	1	1	1	1	1260 715
-	Right (to frame)	3,4	-	-	-	1	1	1	1	1	1	1	1	1	1	1	1	1	1272 564
-	Left (to frame)	3,4	-	-	-	1	1	1	1	1	1	1	1	1	1	1	1	1	1272 565
-	Bolt, 1/2"-20 x 1 1/4"	-	-	-	-	6	6	6	6	6	6	6	6	6	6	6	6	6	120 424
-	Nut	-	-	-	-	6	6	6	6	6	6	6	6	6	6	6	6	6	120 371
-	Washer, lock	-	-	-	-	6	6	6	6	6	6	6	6	6	6	6	6	6	120 384
13-64-20	GUSSET,																		
-	Right (to frame)	1,2	1	1	1	-	-	-	-	-	-	-	-	-	-	-	-	-	1264 886

★ Indicates use as required.

□ Indicates parts not listed in any previous parts books.

Series No. (1 indicates B-1 Series) (2 indicates B-2 Series) (3 indicates B-3 Series) (4 indicates B-4 Series)

Where no Series No. is shown part is for B-1, B-2, B-3 and B-4 Series.

Prices and specifications subject to change without notice.

CODE	PART NAME AND DESCRIPTION	SERIES NO.	MODEL CODES													PART NO.		
			B	C	D	F	G	H & HH	FM	GM	HM & HHM	J	JM	K	KM		R	T
FRONT BUMPER - Cont'd																		
13-64-20	GUSSET,																	
	(to frame)	3,4	1	1	1	-	-	-	-	-	-	-	-	-	-	-	-	-
	Left (to frame)	1,2	1	1	1	-	-	-	-	-	-	-	-	-	-	-	-	-
	(to frame)	3,4	1	1	1	-	-	-	-	-	-	-	-	-	-	-	-	-
	Right (to frame)	1	-	-	-	1	-	1	1	1	1	1	1	1	-	-	-	-
		2	-	-	-	1	1	1	1	1	1	1	1	1	-	-	-	-
		3	-	-	-	1	1	1	1	1	1	1	1	1	-	-	-	-
	Left (to frame) (see note 1) . . .	1	-	-	-	1	-	1	1	1	1	1	1	1	-	-	-	-
	(to frame) (see note 2) . . .	1	-	-	-	1	-	1	1	1	1	1	1	1	-	-	-	-
	(to frame)	2	-	-	-	1	1	1	1	1	1	1	1	1	-	-	-	-
		3,4	-	-	-	1	1	1	1	1	1	1	1	1	-	-	-	-
	(to frame)	1,2	-	-	-	-	-	-	-	-	-	-	-	1	1	1	1	1
	(to frame)	3,4	-	-	-	-	-	-	-	-	-	-	-	1	1	1	1	1
	Left (to frame)	1,2	-	-	-	-	-	-	-	-	-	-	-	1	1	1	1	1
	(to frame)	3,4	-	-	-	-	-	-	-	-	-	-	-	1	1	1	1	1
	Bolt, 1/2"-20 x 1 1/4"	-	6	6	6	6	6	6	6	6	6	6	6	6	6	6	6	6
	Nut	-	6	6	6	6	6	6	6	6	6	6	6	6	6	6	6	6
	Washer, lock	-	6	6	6	6	6	6	6	6	6	6	6	6	6	6	6	6
REAR BUMPER																		
13-66-3	BUMPER																	
	(Panel)	-	1	-	-	-	-	-	-	-	-	-	-	-	-	-	-	-
	(Express)	-	1	1	1	-	-	-	-	-	-	-	-	-	-	-	-	-
	Bolt, 1/2"-20 x 1 1/4"	-	4	4	4	-	-	-	-	-	-	-	-	-	-	-	-	-
	Bolt, 1/2"-20 x 1 1/2"	-	2	2	2	-	-	-	-	-	-	-	-	-	-	-	-	-
	Nut	-	6	6	6	-	-	-	-	-	-	-	-	-	-	-	-	-
	Washer, lock	-	6	6	6	-	-	-	-	-	-	-	-	-	-	-	-	-
	Plain	-	2	2	2	-	-	-	-	-	-	-	-	-	-	-	-	-
	Plain	-	2	2	2	-	-	-	-	-	-	-	-	-	-	-	-	-
13-66-64	BRACKET,																	
	Right (Panel)	1,2	1	-	-	-	-	-	-	-	-	-	-	-	-	-	-	-
		3,4	1	-	-	-	-	-	-	-	-	-	-	-	-	-	-	-
	(Express)	-	1	1	-	-	-	-	-	-	-	-	-	-	-	-	-	-
	(116" W.B.)	-	-	-	1	-	-	-	-	-	-	-	-	-	-	-	-	-
	(126" W.B.)	-	-	-	1	-	-	-	-	-	-	-	-	-	-	-	-	-
	Left (Panel)	1,2	1	-	-	-	-	-	-	-	-	-	-	-	-	-	-	-
		3,4	1	-	-	-	-	-	-	-	-	-	-	-	-	-	-	-
	(Express)	-	1	1	-	-	-	-	-	-	-	-	-	-	-	-	-	-
	(116" W.B.)	-	-	-	1	-	-	-	-	-	-	-	-	-	-	-	-	-
	(126" W.B.)	-	-	-	1	-	-	-	-	-	-	-	-	-	-	-	-	-
	Bolt, 1/4"-20 x 5" (to bar) . . .	-	4	-	-	-	-	-	-	-	-	-	-	-	-	-	-	-
	7/16"-14 x 1 1/4" (to bar) . . .	-	4	4	4	-	-	-	-	-	-	-	-	-	-	-	-	-
	Nut	-	4	4	4	-	-	-	-	-	-	-	-	-	-	-	-	-
	Washer, lock	-	4	4	4	-	-	-	-	-	-	-	-	-	-	-	-	-
	Plain	-	4	4	4	-	-	-	-	-	-	-	-	-	-	-	-	-
	Bolt, 1/2"-20 x 1 1/4" (to side member)	-	4	-	-	-	-	-	-	-	-	-	-	-	-	-	-	-
	1/2"-20 x 1 1/2" (to side member)	-	2	-	-	-	-	-	-	-	-	-	-	-	-	-	-	-
	Nut	-	6	-	-	-	-	-	-	-	-	-	-	-	-	-	-	-
	Washer, lock	-	6	-	-	-	-	-	-	-	-	-	-	-	-	-	-	-
	Plain	-	2	-	-	-	-	-	-	-	-	-	-	-	-	-	-	-
	Rivet	-	2	2	2	-	-	-	-	-	-	-	-	-	-	-	-	-
13-66-66	COVER, Panel Opening	-	2	-	-	-	-	-	-	-	-	-	-	-	-	-	-	-
FRONT BUMPER BUFFER PLATE																		
13-68-6	PLATE, Side	-	2	2	2	-	-	-	-	-	-	-	-	-	-	-	-	-

★Indicates use as required.

Prices and specifications subject to change without notice.

☐Indicates parts not listed in any previous parts books.

Series No. (1 indicates B-1 Series) (2 indicates B-2 Series) (3 indicates B-3 Series) (4 indicates B-4 Series)

Where no Series No. is shown part is for B-1, B-2, B-3 and B-4 Series.

Printed in U.S.A.

