

GROUP 10 - ENGINE OILING

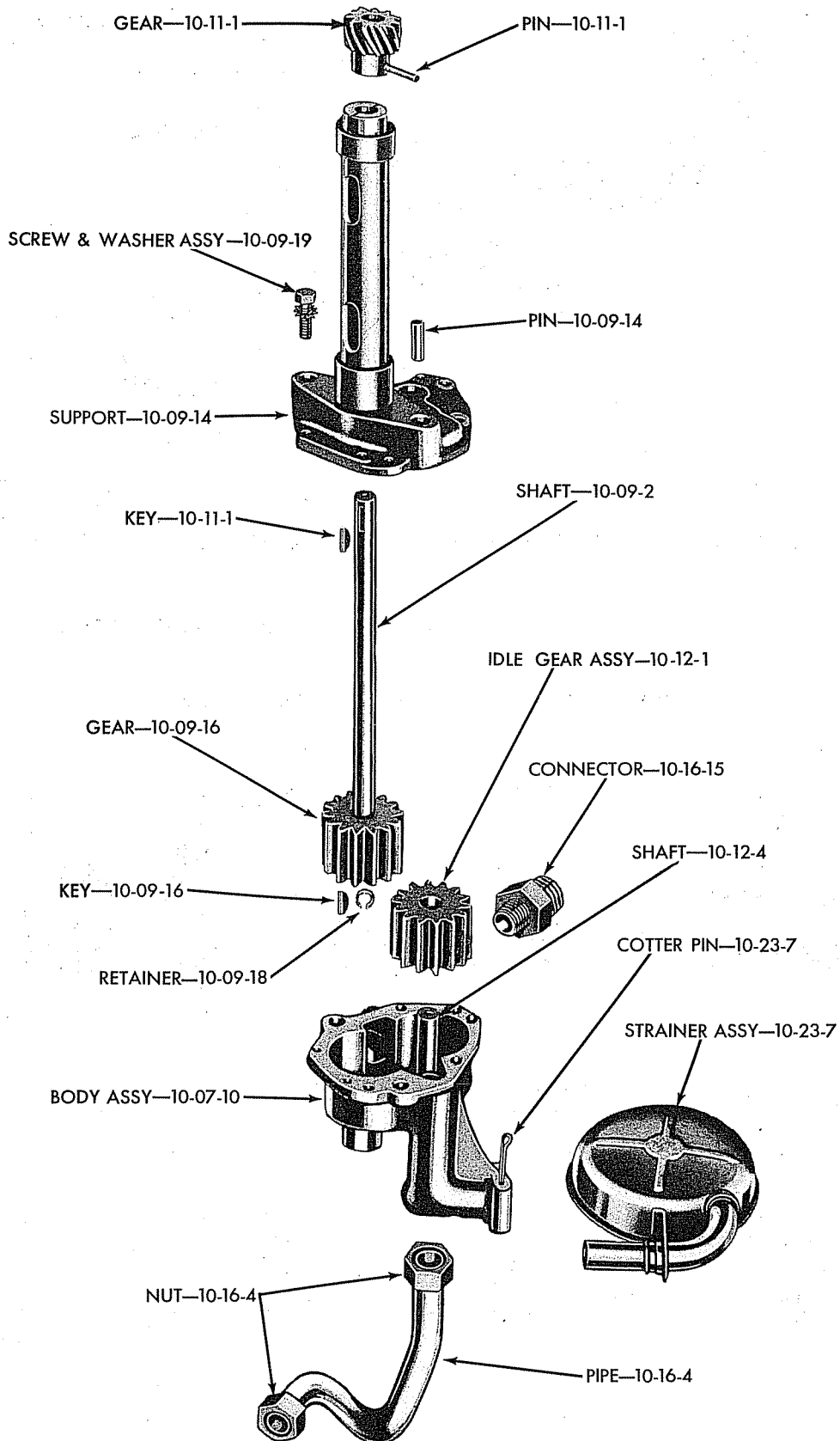
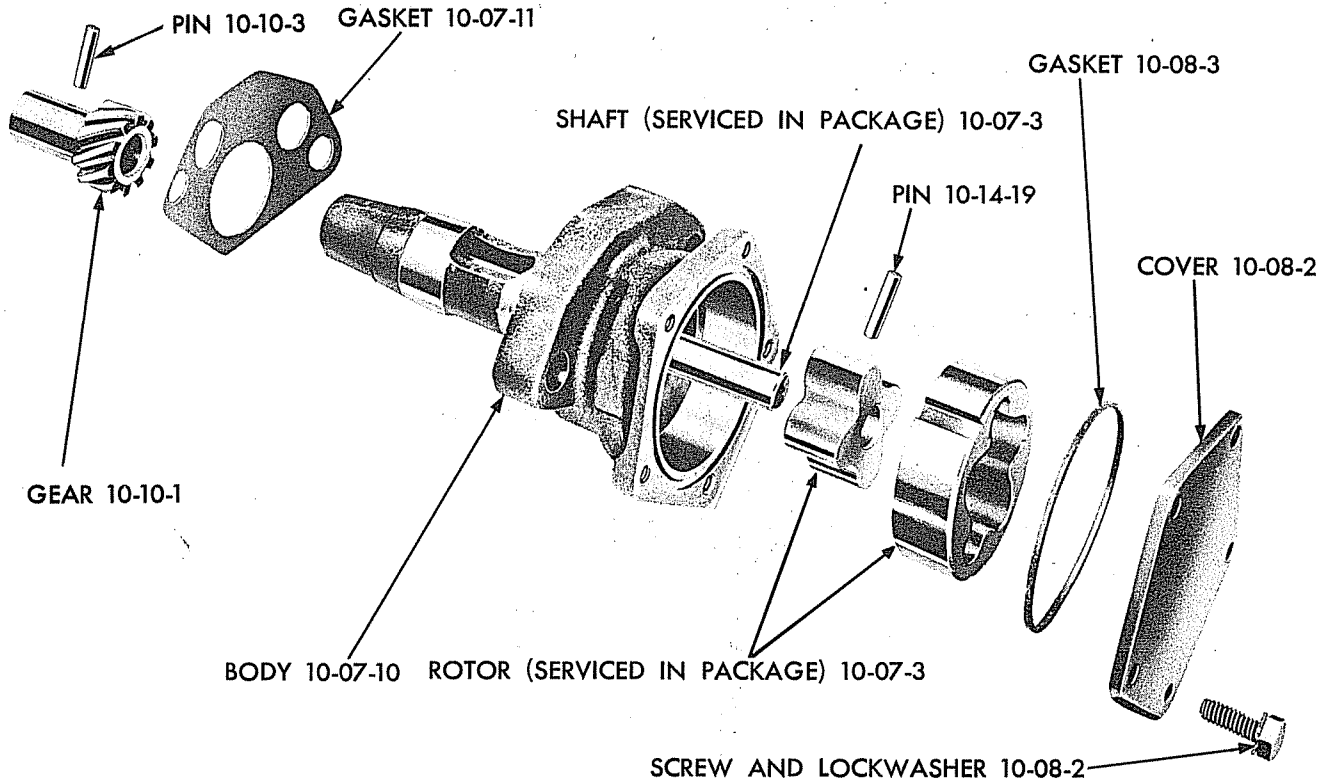


Plate 10-1

OIL PUMP (R, T, V AND Y) (EXPLODED VIEW)

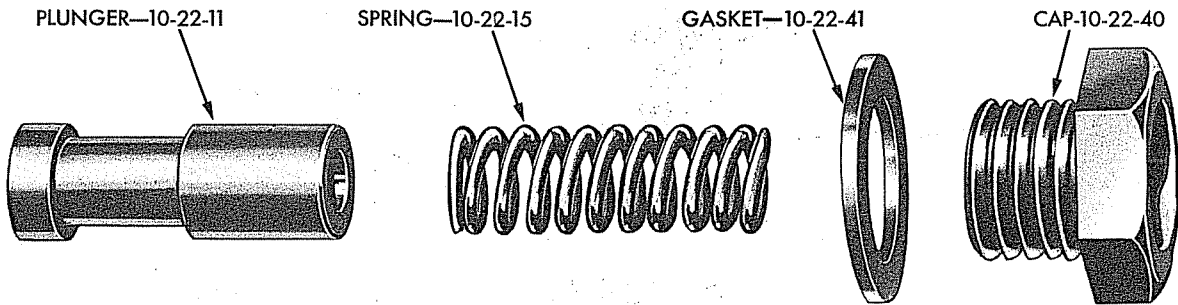
19X5634



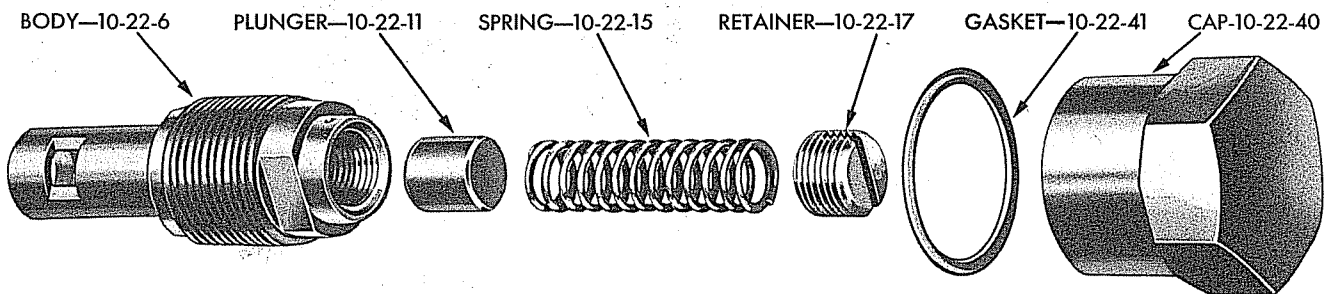
19 X 6003

Plate 10-2

OIL PUMP (EXCEPT R, T, V AND Y) (EXPLODED VIEW)



Except—R, T, V and Y—MODELS

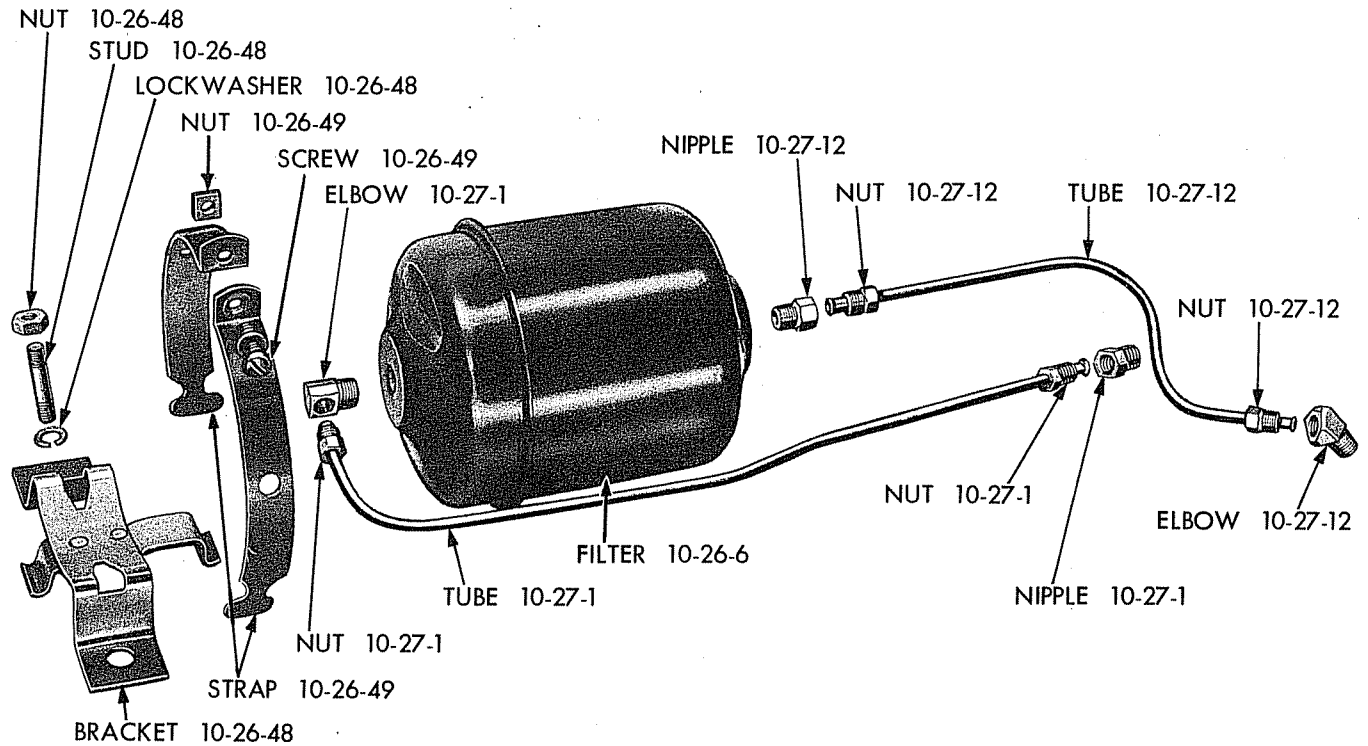


R, T, V and Y—MODELS

19X5629

Plate 10-3

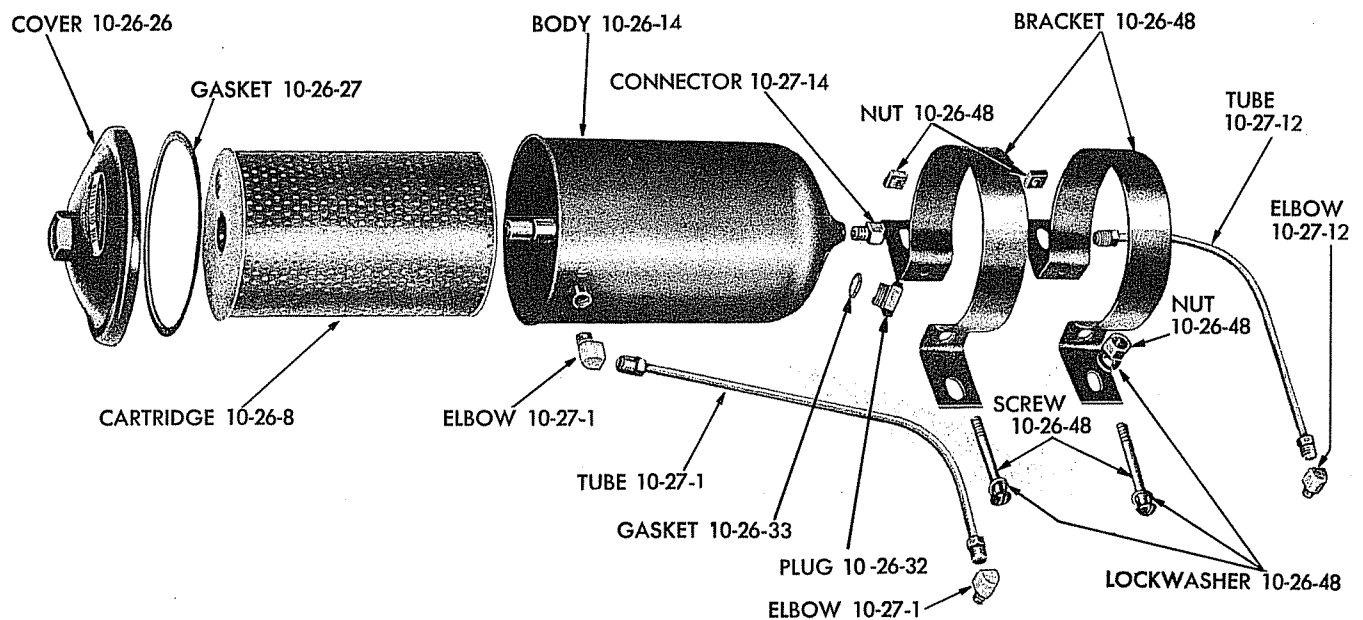
OIL PRESSURE RELIEF VALVE (EXPLODED VIEW)



19x6533

Plate 10-4

OIL FILTER - SEALED CAN TYPE



19X3232D

Plate 10-5 OIL FILTER - (R, T, V, and Y) HEAVY DUTY REPLACEABLE CARTRIDGE TYPE

CODE	PART NAME AND DESCRIPTION	SERIES NO.	MODEL CODES													PART NO.				
			B	C	D	F	G	H & HH	FM	GM	HM & HHM	J	JM	K	KM		R	T	V	Y
CRANKCASE OIL FILLER OR BREATHER																				
10-01-9	PIPE (B-1-B, B-1-C up to engine No. T142-73727, B-1-D up to engine No. T146-29890)	1	1	1	1	-	-	-	-	-	-	-	-	-	-	-	-	-	-	871 863
	(B-1-B, B-1-C, after engine No. T142-73727, B-1-D after engine No. T146-29890)	1	1	1	1	-	-	-	-	-	-	-	-	-	-	-	-	-	-	1311 757
	(w/standard generator) (13 7/8" formed length)	2	1	1	1	-	-	-	-	-	-	-	-	-	-	-	-	-	-	1311 757
	(w/standard generator) (13 7/8" formed length) (B-3-B, B-3-C up to engine No. T306-60964 B-3-D up to engine No. T310-17923).	3	1	1	1	-	-	-	-	-	-	-	-	-	-	-	-	-	-	1311 757
	(w/standard generator) (13 7/8" formed length) (B-3-B, B-3-C after engine No. T306-60964 B-3-D after engine No. T310-17923).	3,4	1	1	1	-	-	-	-	-	-	-	-	-	-	-	-	-	-	E1407 686
	(B-1-F, B-1-H up to engine No. T148-58524, B-1-J, B-1-K up to engine No. T150-22842) (standard).	1	-	-	-	1	-	1	-	-	-	1	-	1	-	-	-	-	-	871 862
	(B-1-F, B-1-H after engine No. T148-58524 B-1-J, B-1-K after engine No. T150-22842) (standard).	1	-	-	-	1	-	1	-	-	-	1	-	1	-	-	-	-	-	1311 758
	(w/6 volt-50 ampere generator).	1	-	-	-	1	-	1	-	-	-	1	-	1	-	-	-	-	-	956 406
	(w/standard generator) (13 7/8" formed length)	2,3,4	-	-	-	1	1	1	-	-	-	1	-	1	-	-	-	-	-	1311 758
	(w/special generator) (14 3/8" formed length)	2,3,4	1	1	1	1	1	1	-	-	-	1	-	1	-	-	-	-	-	1316 503
		1	-	-	-	-	-	-	1	-	1	-	1	-	1	-	-	-	-	1195 598
		2,3,4	-	-	-	-	-	-	1	1	-	1	-	1	-	-	-	-	-	1266 157
	Plug	-	-	-	-	-	-	-	-	-	-	-	-	-	-	1	1	1	1	103 868
	Stud	-	-	-	-	-	-	-	-	-	-	-	-	-	-	2	2	2	2	103 173
	Nut	-	-	-	-	-	-	-	-	-	-	-	-	-	-	2	2	2	2	120 368
	Washer, lock	-	-	-	-	-	-	-	-	-	-	-	-	-	-	2	2	2	2	120 214
10-01-10	SCREEN	-	1	1	1	1	1	1	1	1	1	1	1	1	1	1	1	1	1	871 851
10-01-11	GASKET, Pipe	-	-	-	-	-	-	-	-	-	-	-	-	-	-	1	1	1	1	1088 013
10-01-21	AIR CLEANER, Pipe	-	1	1	1	1	1	1	1	1	1	1	1	1	1	1	1	1	1	1311 809
10-01-40	CLAMP, Pipe	-	-	-	-	-	-	-	1	1	1	-	1	-	-	-	-	-	-	600 050
	Bolt, 5/16"-24 x 1"	-	-	-	-	-	-	-	1	1	1	-	1	-	1	-	-	-	-	121 661
	Nut	-	-	-	-	-	-	-	1	1	1	-	1	-	1	-	-	-	-	120 368
	Washer, lock	-	-	-	-	-	-	-	1	1	1	-	1	-	1	-	-	-	-	120 214
10-01-41	BRACE, Pipe (for use on trucks not equipped with oil filters or trucks equipped with replaceable element type oil filters).	1	-	-	-	-	-	-	1	-	1	-	1	-	1	-	-	-	-	1265 933
	(for use on trucks equipped with non-cleanable type oil filters) (B-1-FM, B-1-HM after serial No. 83509713; B-1-JM after serial No. 8739508)	1	-	-	-	-	-	-	1	-	1	-	1	-	1	-	-	-	-	1266 142
		2,3,4	-	-	-	-	-	-	1	1	-	1	-	1	-	-	-	-	-	1266 158
	Bolt, 3/8"-16 x 3/4"	-	-	-	-	-	-	-	1	-	1	-	1	-	1	-	-	-	-	122 119
	Washer, lock	-	-	-	-	-	-	-	1	-	1	-	1	-	1	-	-	-	-	120 382
	Bolt, 3/8"-24 x 1/2"	-	-	-	-	-	-	-	1	1	-	1	-	1	-	-	-	-	-	123 382
	Washer, lock	-	-	-	-	-	-	-	1	1	-	1	-	1	-	-	-	-	-	120 382

★Indicates use as required.

Prices and specifications subject to change without notice.

⊠Indicates parts not listed in any previous parts books.

Series No. (1 indicates B-1 Series) (2 indicates B-2 Series) (3 indicates B-3 Series) (4 indicates B-4 Series)

Where no Series No. is shown part is for B-1, B-2, B-3 and B-4 Series.

Printed in U.S.A.

CODE	PART NAME AND DESCRIPTION	SERIES NO.	MODEL CODES													PART NO.				
			B	C	D	F	G	H & HH	FM	GM	HM & HHM	J	JM	K	KM		R	T	V	Y
CRANKCASE OIL FILLER OR BREATHER - Cont'd																				
10-01-44	BRACKET, Pipe (use with 1311 757 pipe) (B-3-B, B-3-C up to engine No. T306-60964, B-3-D up to engine No. T310-17923).	3	1	1	1	-	-	-	-	-	-	-	-	-	-	-	-	-	-	1311 765
	Bolt 5/16"-24 x 1/2".	-	1	1	1	1	1	1	-	-	-	1	-	-	1	-	-	-	-	1311 760
	Nut.	-	1	1	1	1	1	1	-	-	-	1	-	-	1	-	-	-	-	123 473
	Washer, lock	-	1	1	1	1	1	1	-	-	-	1	-	-	1	-	-	-	-	120 368
																				120 214
CRANKCASE VENTILATOR																				
10-02-8	AIR CLEANER, Outlet Pipe (Export).	1	-	-	-	-	-	-	-	-	-	-	-	-	-	1	1	1	-	627 488
		1	1	1	1	1	1	1	1	1	1	1	1	1	1	1	1	1	1	627 488
	Bolt, 5/16"-18 x 4"	2,3,4	1	1	1	1	1	1	1	1	1	1	1	1	1	1	1	1	1	1315 669
	5/16"-24 x 4"	-	-	-	-	-	-	-	-	-	-	-	-	-	-	1	1	1	1	189 298
	Washer, lock plain.	-	1	1	1	1	1	1	1	1	1	1	1	1	1	1	1	1	1	100 022
		-	1	1	1	1	1	1	1	1	1	1	1	1	1	1	1	1	1	120 214
10-02-15	PIPE, Outlet (standard-domestic) (Domestic) (use w/dual carburetors)	4	-	-	-	-	-	-	-	-	-	1	-	1	-	-	-	-	-	1502 519
	(Export)	1	1	1	1	1	1	1	1	1	1	1	1	1	1	-	-	-	-	579 680
	(heavy duty-Domestic and Standard-Export)	2,3,4	1	1	1	1	1	1	-	1	1	1	1	1	1	-	-	-	-	1267 857
	(Export) (use w/single carburetors)	4	-	-	-	-	-	-	-	-	-	1	-	1	-	-	-	-	-	*1267 857
	(Export) (use w/dual carburetors).	4	-	-	-	-	-	-	-	-	-	1	-	1	-	-	-	-	-	1502 520
		1	-	-	-	-	-	-	-	-	-	-	-	-	-	1	1	1	-	1194 786
	Bolt, 5/16"-18 x 3 1/2"	2,3,4	1	1	1	1	1	1	1	1	1	1	1	1	1	1	1	1	1	1267 859
	3/8"-16 x 1"	-	1	1	1	1	1	1	1	1	1	1	1	1	1	-	-	-	-	173 063
	Washer, lock	-	1	1	1	1	1	1	1	1	1	1	1	1	1	-	-	-	-	120 233
		-	1	1	1	1	1	1	1	1	1	1	1	1	1	-	-	-	-	120 214
		-	1	1	1	1	1	1	1	1	1	1	1	1	1	-	-	-	-	120 382
10-02-17	GASKET, Outlet Pipe	-	1	1	1	1	1	1	1	1	1	1	1	1	1	1	1	1	1	301 034
OIL LEVEL INDICATOR																				
10-03-4	INDICATOR	1	1	1	1	-	1	1	-	1	1	1	1	1	-	-	-	-	-	1125 411
	(B-2-GM up to engine No. T182-1114; B-2-HM, B-2-HHM up to engine No. T194-1075; B-2-JM up to engine No. T184-1186)	2,3,4	1	1	1	1	1	1	-	-	-	1	-	1	-	-	-	-	-	1125 411
	(B-2-GM after engine No. T182-1114; B-2-HM, B-2-HHM after engine No. T194-1075; B-2-JM up to engine No. T184-1186)	2	-	-	-	-	-	-	-	1	1	-	1	-	1	-	-	-	-	1315 659
		2,3,4	-	-	-	-	-	-	-	1	1	-	1	-	1	-	-	-	-	1319 387
		1,2	-	-	-	-	-	-	-	-	-	-	-	-	-	1	1	1	1	1111 023
		3,4	-	-	-	-	-	-	-	-	-	-	-	-	-	1	1	1	1	1402 107
10-03-7	TUBE	1	1	1	1	-	1	1	-	1	1	1	1	1	-	-	-	-	-	1125 412
		2,3,4	1	1	1	1	1	1	-	-	1	-	1	-	-	-	-	-	-	1125 412
		2,3,4	-	-	-	-	-	-	-	1	1	-	1	-	1	-	-	-	-	1140 847
		-	-	-	-	-	-	-	-	-	-	-	-	-	-	1	1	1	1	1088 010
10-03-11	CLAMP, Tube	2,3,4	-	-	-	-	-	-	-	1	1	-	1	-	1	-	-	-	-	1266 161
	Bolt, 5/16"-24 x 3/4"	-	-	-	-	-	-	-	-	2	2	-	2	-	2	-	-	-	-	120 741
	Nut	-	-	-	-	-	-	-	-	2	2	-	2	-	2	-	-	-	-	120 368
	Washer, lock	-	-	-	-	-	-	-	-	2	2	-	2	-	2	-	-	-	-	120 214
10-03-12	SUPPORT, Tube Clamp	2,3,4	-	-	-	-	-	-	-	1	1	-	1	-	1	-	-	-	-	1266 162

★ Indicates use as required.

□ Indicates parts not listed in any previous parts books.

Series No. (1 indicates B-1 Series) (2 indicates B-2 Series) (3 indicates B-3 Series) (4 indicates B-4 Series)

Where no Series No. is shown part is for B-1, B-2, B-3 and B-4 Series.

* Indicates change or addition.

Prices and specifications subject to change without notice.

Printed in U.S.A.

CODE	PART NAME AND DESCRIPTION	SERIES NO.	MODEL CODES													PART NO.			
			B	C	D	F	G	H & HH	FM	GM	HM & HMM	J	JM	K	KM		R	T	V
OIL GAUGE TUBES																			
10-05-4	TUBE, Engine to Oil Gauge, Upper.	-	1	1	1	1	1	1	1	1	1	1	1	1	1	1	1	1	1
	Nut	-	1	1	1	1	1	1	1	1	1	1	1	1	1	1	1	1	1
	Sleeve, ball	-	1	1	1	1	1	1	1	1	1	1	1	1	1	1	1	1	1
10-05-7	TUBE, Engine to Oil Gauge, Lower.	-	1	1	1	1	1	1	-	-	-	1	-	1	-	-	-	-	-
		1	-	-	-	-	-	-	-	1	-	1	-	1	-	-	-	-	-
		2,3,4	-	-	-	-	-	-	-	1	1	-	1	-	1	-	-	-	-
		1	-	-	-	-	-	-	-	-	-	-	-	-	1	1	1	-	-
	(B-2-R up to serial No. 81858745; B-2-T, B-2-V up to serial No. 81793587; B-2-Y up to serial No. 8301558).	2	-	-	-	-	-	-	-	-	-	-	-	-	1	1	1	1	-
	(B-2-R after serial No. 81858745; B-2-T, B-2-V after serial No. 81793587, B-2-Y after serial No. 8301558).	2,3,4	-	-	-	-	-	-	-	-	-	-	-	-	1	1	1	1	-
	Nut	-	2	2	2	2	2	2	2	2	2	2	2	2	2	2	2	2	2
	Elbow	2,3,4	1	1	1	1	1	1	1	1	1	1	1	1	1	1	1	1	1
	Union	-	1	1	1	1	1	1	1	1	1	1	1	1	1	1	1	1	1
10-05-12	NUT, Engine to Oil Gauge Tube, w/SLEEVE	-	1	1	1	1	1	1	1	1	1	1	1	1	-	-	-	-	-
10-05-15	CLIP	-	★	★	★	★	★	★	★	★	★	★	★	★	★	★	★	★	-
		1	★	★	★	★	★	★	★	★	★	★	★	★	★	★	★	★	-
	Bolt, 3/8"-16 x 3/4"	-	1	1	1	1	1	1	-	-	-	-	-	-	-	-	-	-	-
	Washer, lock	-	1	1	1	1	1	1	-	-	-	-	-	-	-	-	-	-	-
	Screw, No. 14-10 x 7/8"	1	-	-	-	-	-	-	-	-	-	2	-	-	-	-	-	-	-
	No. 14-10 x 7/8"	1	★	★	★	★	★	★	★	★	★	★	★	★	★	★	★	★	-
	Bolt, 5/16"-24 x 5/8"	2	-	-	-	-	-	-	-	1	1	-	1	-	1	-	-	-	-
	Nut	2	-	-	-	-	-	-	-	1	1	-	1	-	1	-	-	-	-
	Washer, lock	2	-	-	-	-	-	-	-	1	1	-	1	-	1	-	-	-	-
10-05-16	GROMMET	-	1	1	1	1	1	1	1	1	1	1	1	1	1	1	1	1	1
10-05-17	SCREW, Clip	-	1	1	1	1	1	1	1	1	1	1	1	1	1	1	1	1	1
	BOLT, Clip	1	-	-	-	-	-	-	-	1	-	1	-	1	-	-	-	-	-
10-05-18	NUT, Clip (J type)	1	-	-	-	-	-	-	-	1	-	1	-	1	-	-	-	-	-
OIL PUMP																			
10-07-3	SHAFT PACKAGE, Drive, w/ROTOR	-	1	1	1	1	1	1	1	1	1	1	1	1	-	-	-	-	-
10-07-6	PUMP	-	1	1	1	1	1	1	1	1	1	1	1	1	-	-	-	-	-
		-	-	-	-	-	-	-	-	-	-	-	-	-	1	1	1	1	1
	Bolt, 3/8"-16 x 1 1/4"	-	2	2	2	2	2	2	2	2	2	2	2	2	-	-	-	-	-
	Washer, lock	-	2	2	2	2	2	2	2	2	2	2	2	2	-	-	-	-	-
	Plug	-	-	-	-	-	-	-	-	-	-	-	-	-	1	1	1	1	1
	Washer, lock	-	-	-	-	-	-	-	-	-	-	-	-	-	2	2	2	2	2
10-07-10	BODY	1	1	1	1	1	1	1	1	1	1	1	1	1	-	-	-	-	-
		2,3,4	1	1	1	1	1	1	1	1	1	1	1	1	-	-	-	-	-
		-	-	-	-	-	-	-	-	-	-	-	-	-	1	1	1	1	1
10-07-11	GASKET, Body	-	1	1	1	1	1	1	1	1	1	1	1	1	-	-	-	-	-
OIL PUMP COVER																			
10-08-2	COVER	-	1	1	1	1	1	1	1	1	1	1	1	1	-	-	-	-	-
	Bolt, 1/4"-20 x 5/8"	-	5	5	5	5	5	5	5	5	5	5	5	5	-	-	-	-	-
	Washer, lock	-	5	5	5	5	5	5	5	5	5	5	5	5	-	-	-	-	-
10-08-3	GASKET	-	1	1	1	1	1	1	1	1	1	1	1	1	-	-	-	-	-

★Indicates use as required.

□Indicates parts not listed in any previous parts books.

Series No. (1 indicates B-1 Series) (2 indicates B-2 Series) (3 indicates B-3 Series) (4 indicates B-4 Series)

Where no Series No. is shown part is for B-1, B-2, B-3 and B-4 Series.

December 31, 1952

Prices and specifications subject to change without notice.

Printed in U.S.A.

CODE	PART NAME AND DESCRIPTION	SERIES NO.	MODEL CODES													PART NO.			
			B	C	D	F	G	H&HH	FM	GM	HM & HHM	J	JM	K	KM		R	T	V
OIL PUMP DRIVE SHAFT AND GEAR																			
10-09-2	SHAFT	-	-	-	-	-	-	-	-	-	-	-	-	-	1	1	1	1	869 978
10-09-14	SUPPORT	-	-	-	-	-	-	-	-	-	-	-	-	-	1	1	1	1	869 976
	Pin, stght	-	-	-	-	-	-	-	-	-	-	-	-	-	1	1	1	1	103 738
10-09-16	GEAR, Drive, Lower	-	-	-	-	-	-	-	-	-	-	-	-	-	1	1	1	1	868 818
	Key, Woodruff	-	-	-	-	-	-	-	-	-	-	-	-	-	1	1	1	1	124 545
10-09-18	RETAINER, Drive Gear	-	-	-	-	-	-	-	-	-	-	-	-	-	1	1	1	1	40 297
10-09-19	SCREW, Support, w/WASHER	-	-	-	-	-	-	-	-	-	-	-	-	-	5	5	5	5	864 148
OIL PUMP DRIVE GEAR																			
10-10-1	GEAR, Oil Pump and Distributor Drive	-	1	1	1	1	1	1	1	1	1	1	1	1	-	-	-	-	601 268
10-10-3	PIN, Oil Pump and Distributor Drive	-	1	1	1	1	1	1	1	1	1	1	1	-	-	-	-	-	1316 559
OIL PUMP DRIVEN GEAR																			
10-11-1	GEAR, Drive Shaft, Upper (eleven teeth) (B-3-R up to engine No. T320-3292, B-3-T, B-3-V up to engine No. T322-3960, B-3-Y up to engine No. T324-3102).	1, 2, 3	-	-	-	-	-	-	-	-	-	-	-	-	1	1	1	1	*1111 713
	Drive Shaft (ten teeth) (B-3-R after engine No. T320-3292, B-3-T B-3-V after engine No. T322-3960, B-3-Y after engine No. T324-3102)	3, 4	-	-	-	-	-	-	-	-	-	-	-	-	1	1	1	1	E1537 675
	Key, Woodruff	-	-	-	-	-	-	-	-	-	-	-	-	-	1	1	1	1	124 545
	Pin, stght.	-	-	-	-	-	-	-	-	-	-	-	-	-	1	1	1	1	112 032
OIL PUMP IDLER GEAR																			
10-12-1	GEAR	-	-	-	-	-	-	-	-	-	-	-	-	-	1	1	1	1	868 819
10-12-2	BUSHING	-	-	-	-	-	-	-	-	-	-	-	-	-	1	1	1	1	663 845
10-12-4	SHAFT	-	-	-	-	-	-	-	-	-	-	-	-	-	1	1	1	1	304 833
OIL PUMP ROTOR																			
10-14-19	PIN	-	1	1	1	1	1	1	1	1	1	1	1	1	-	-	-	-	867 386
OIL PUMP OUTLET TUBE OR PIPE																			
10-16-4	PIPE	-	1	1	1	1	1	1	1	1	1	1	1	1	-	-	-	-	665 806
	Connector	-	-	-	-	-	-	-	-	-	-	-	-	-	1	1	1	1	1111 002
	Nut	-	2	2	2	2	2	2	2	2	2	2	2	2	-	-	-	-	125 733
	Sleeve, ball	-	-	-	-	-	-	-	-	-	-	-	-	-	2	2	2	2	144 409
10-16-9	NIPPLE	-	-	-	1	1	1	1	1	1	1	1	1	1	-	-	-	-	125 654
		1, 2	2	2	2	-	-	-	-	-	-	-	-	-	-	-	-	-	671 152
		3, 4	2	2	2	-	-	-	-	-	-	-	-	-	-	-	-	-	425 223
		-	-	-	1	1	1	1	1	1	1	1	1	1	-	-	-	-	1119 208
10-16-15	CONNECTOR	-	-	-	-	-	-	-	-	-	-	-	-	-	1	1	1	1	1071 310

★ Indicates use as required.

Prices and specifications subject to change without notice.

⊠ Indicates parts not listed in any previous parts books.

Series No. (1 indicates B-1 Series) (2 indicates B-2 Series) (3 indicates B-3 Series) (4 indicates B-4 Series)

Where no Series No. is shown part is for B-1, B-2, B-3 and B-4 Series.

* Indicates change or addition.

CODE	PART NAME AND DESCRIPTION	SERIES NO.	MODEL CODES													PART NO.			
			B	C	D	F	G	H & HH	FM	GM	HM & HHM	J	JM	K	KM		R	T	V
OIL PUMP SUCTION PIPE																			
X 10-18-4	PIPE	-	1	1	1	1	1	1	1	1	1	1	1	1	-	-	-	-	1125 417
OIL PRESSURE RELIEF VALVE																			
10-22-4	VALVE	-	-	-	-	-	-	-	-	-	-	-	-	-	1	1	1	1	1122 881
10-22-6	BODY	-	-	-	-	-	-	-	-	-	-	-	-	-	1	1	1	1	1122 882
10-22-11	PLUNGER	-	1	1	1	-	-	-	-	-	-	-	-	-	-	-	-	-	1142 998
																			618 759
																			1122 883
10-22-15	SPRING (standard) (plain)	-	1	1	1	-	-	-	-	-	-	-	-	-	1	1	1	1	1119 994
	(light) (red)	-	1	1	1	-	-	-	-	-	-	-	-	-	-	-	-	-	1119 995
	(heavy) (green)	-	1	1	1	-	-	-	-	-	-	-	-	-	-	-	-	-	1119 996
	(standard) (white)	-	-	-	-	1	1	1	1	1	1	1	1	1	-	-	-	-	1121 250
	(light) (black)	-	-	-	-	1	1	1	1	1	1	1	1	1	-	-	-	-	1121 251
	(heavy) (yellow)	-	-	-	-	1	1	1	1	1	1	1	1	1	-	-	-	-	1121 252
																			1122 884
10-22-17	RETAINER, Spring	-	-	-	-	-	-	-	-	-	-	-	-	-	1	1	1	1	55 198
10-22-18	LOCKWIRE, Spring Retainer	-	-	-	-	-	-	-	-	-	-	-	-	-	1	1	1	1	572 551
10-22-30	PIPE, Drain	-	-	-	-	-	-	-	-	-	-	-	-	-	1	1	1	1	688 510
10-22-40	CAP	-	1	1	1	1	1	1	1	1	1	1	1	1	-	-	-	-	618 621
																			55 200
10-22-41	GASKET, Cap	-	1	1	1	1	1	1	1	1	1	1	1	1	-	-	-	-	618 622
																			55 201
OIL STRAINER																			
10-23-7	STRAINER	-	1	1	1	1	1	1	1	1	1	1	1	1	-	-	-	-	862 831
																			688 502
	Pin, cotter	-	1	1	1	1	1	1	1	1	1	1	1	1	1	1	1	1	119 209
OIL PAN																			
10-24-1	GASKET SET	-	1	1	1	-	-	-	-	-	-	-	-	-	-	-	-	-	933 438
																			1243 628
10-24-2	PLATE PACKAGE, Front End																		
	Oil Seal	-	1	1	1	1	1	1	1	1	1	1	1	1	-	-	-	-	1115 100
	Screw, 1/4"-20 x 7/8"	-	2	2	2	2	2	2	2	2	2	2	2	2	-	-	-	-	435 104
	Washer, lock	-	2	2	2	2	2	2	2	2	2	2	2	2	-	-	-	-	121 753
	Bolt, 5/16"-18 x 3/4"	-	1	1	1	1	1	1	1	1	1	1	1	1	-	-	-	-	122 007
	Washer, lock	-	1	1	1	1	1	1	1	1	1	1	1	1	-	-	-	-	120 214

NOTES

★ Indicates use as required. Prices and specifications subject to change without notice.

□ Indicates parts not listed in any previous parts books.

Series No. (1 indicates B-1 Series) (2 indicates B-2 Series) (3 indicates B-3 Series) (4 indicates B-4 Series)

Where no Series No. is shown part is for B-1, B-2, B-3 and B-4 Series.

April 13, 1953 Supersedes Dec. 31, 1952. Page 10-8 * Indicates change or addition. Printed in U.S.A.

CODE	PART NAME AND DESCRIPTION	SERIES NO.	MODEL CODES													PART NO.			
			B	C	D	F	G	H & HH	FM	GM	HM & HHM	J	JM	K	KM		R	T	V
OIL PAN - Cont'd																			
10-24-4	PAN	1, 2, 3	1	1	1	-	-	-	-	-	-	-	-	-	-	-	-	-	1125 419
		4	1	1	1	-	-	-	-	-	-	-	-	-	-	-	-	-	1634 098
		1	-	-	-	1	1	1	1	1	1	1	1	1	1	1	1	1	1125 406
	(B-3-F, B-3-G up to engine No. T314-9006, B-3-H, B-3-HH up to engine No. T316-6877 B-3-J, B-3-K up to engine No. T318-7619)	2, 3	-	-	-	1	1	1	-	-	-	1	-	1	-	-	-	-	1125 406
	B-3-F, B-3-G after engine No. T314-9006, B-3-H, B-3-HH after engine No. T316-6877, B-3-J, B-3-K after engine No. T318-7619)	3, 4	-	-	-	1	1	1	-	-	-	1	-	1	-	-	-	-	1400 203
	(B-3-GM up to engine No. T326-1354, B-3-HM, B-3-HHM up to engine No. T328-1312, B-3-JM, B-3-KM up to engine No. T-330-1570)	2, 3	-	-	-	-	-	-	-	1	1	-	1	-	1	-	-	-	1315 645
	(B-3-GM after engine No. T326-1354, B-3-HM, B-3-HHM after engine No. T328-1312, B-3-JM, B-3-KM after engine No. T330-1570)	3, 4	-	-	-	-	-	-	-	1	1	-	1	-	1	-	-	-	1400 207
		-	-	-	-	-	-	-	-	-	-	-	-	-	1	1	1	1	670 314
	Bolt 5/16"-18 x 3/4"	-	20	20	20	20	20	20	20	20	20	20	20	20	20	20	20	20	122 007
	Washer, lock	-	20	20	20	20	20	20	20	20	20	20	20	20	20	20	20	20	138 485
10-24-5	GASKET, Left	-	1	1	1	-	-	-	-	-	-	-	-	-	-	-	-	-	600 759
	Right	-	1	1	1	-	-	-	-	-	-	-	-	-	-	-	-	-	600 758
	Left	-	-	-	-	1	1	1	1	1	1	1	1	1	-	-	-	-	1138 886
	Right	-	-	-	-	1	1	1	1	1	1	1	1	1	-	-	-	-	665 802

NOTES

★ Indicates use as required. Prices and specifications subject to change without notice.
 □ Indicates parts not listed in any previous parts books.
 Series No. (1 indicates B-1 Series) (2 indicates B-2 Series) (3 indicates B-3 Series) (4 indicates B-4 Series)
 Where no Series No. is shown part is for B-1, B-2, B-3 and B-4 Series.
 * Indicates change or addition.

Printed in U.S.A.
 April 13, 1953 Supersedes Dec. 31, 1952.

Page 10-8A

CODE	PART NAME AND DESCRIPTION	SERIES NO.	MODEL CODES												PART NO.	
			B	C	D	F	G	H & HH	FM	GM	HM & HHM	J	JM	K		KM

NOTES

[Lined area for handwritten notes]

★Indicates use as required.

Prices and specifications subject to change without notice.

□Indicates parts not listed in any previous parts books.

Series No. (1 indicates B-1 Series) (2 indicates B-2 Series) (3 indicates B-3 Series) (4 indicates B-4 Series)

Where no Series No. is shown part is for B-1, B-2, B-3 and B-4 Series.

April 13, 1953 Supersedes Dec. 31, 1952.

* Indicates change or addition.

CODE	PART NAME AND DESCRIPTION	SERIES NO.	MODEL CODES													PART NO.			
			B	C	D	F	G	H & HH	FM	GM	HM & HHM	J	JM	K	KM		R	T	V
OIL PAN - Cont'd																			
10-24-6	GASKET, Front	-	1	1	1	1	1	1	1	1	1	1	1	1	1	-	-	-	866 680
	Rear	-	1	1	1	1	1	1	1	1	1	1	1	1	1	-	-	-	866 680
10-24-8	GASKET	-	-	-	-	-	-	-	-	-	-	-	-	-	1	1	1	1	670 460
10-24-17	OIL SEAL, Front End Oil Seal Plate	2	2	2	2	2	2	2	2	2	2	2	2	2	-	-	-	-	1066 873
10-24-37	PLUG, Drain	-	1	1	1	1	1	1	1	1	1	1	1	1	1	1	1	1	50 722
10-24-38	GASKET, Drain Plug	-	1	1	1	1	1	1	1	1	1	1	1	1	1	1	1	1	105 456
OIL FILTER																			
10-26-1	FILTER KIT (replaceable element type) (Model P-903 Filter).	1	-	-	-	-	-	-	-	-	-	-	-	-	1	1	1	-	1064 860
10-26-6	FILTER (non-cleanable filter). (less brackets) (DeLuxe heavy duty filter).	-	1	1	1	1	1	1	1	1	1	1	1	1	1	-	-	-	861 028
10-26-8	CARTRIDGE, (DeLuxe heavy duty filter). <i>C-126 (Frame)</i>	-	1	1	1	1	1	1	1	1	1	1	1	1	1	-	-	-	1265 706
	(Model P-903 filter).	-	-	-	-	-	-	-	-	-	-	-	-	-	1	1	1	1	676 575
10-26-14	BODY (Model P-903).	-	-	-	-	-	-	-	-	-	-	-	-	-	1	1	1	1	1193 505
10-26-26	COVER (DeLuxe heavy duty filter). (Model P-903 filter).	-	1	1	1	1	1	1	1	1	1	1	1	1	-	-	-	-	1193 506
	(Model P-903 filter).	-	-	-	-	-	-	-	-	-	-	-	-	-	1	1	1	1	685 624
10-26-27	GASKET, Cover (DeLuxe heavy duty filter). (Model P-903 filter).	-	1	1	1	1	1	1	1	1	1	1	1	1	-	-	-	-	1121 695
	(Model P-903 filter).	-	-	-	-	-	-	-	-	-	-	-	-	-	1	1	1	1	685 625
10-26-32	PLUG, Drain (DeLuxe heavy duty filter). (Model P-903 filter).	-	1	1	1	1	1	1	1	1	1	1	1	1	-	-	-	-	1193 504
	(Model P-903 filter).	-	-	-	-	-	-	-	-	-	-	-	-	-	1	1	1	1	127 951
10-26-33	GASKET, Drain Plug	-	-	-	-	-	-	-	-	-	-	-	-	-	1	1	1	1	1111 717
10-26-48	BRACKET (non-cleanable filter).	1, 2	1	1	1	1	1	1	1	1	1	1	1	1	1	-	-	-	1111 718
	(DeLuxe heavy duty filler).	3, 4	-	-	-	-	-	-	-	-	-	-	-	-	1	-	-	-	1122 177
	(B-1-F, B-1-H up to serial No. 80359552; B-1-FM, B-1-HM up to serial No. 83509713; B-1-J up to serial No. 82556838; B-1-JM up to serial No. 8739508).	1	-	-	-	1	1	1	1	1	1	1	1	1	-	-	-	-	1320 518
	(B-1-F, B-1-H after serial No. 80359552; B-1-FM, B-1-HM after serial No. 83509713; B-1-J after serial No. 83509713; B-1-J after serial No. 82556838; B-1-JM after serial No. 8739508).	1	-	-	-	1	1	1	1	1	1	1	1	1	-	-	-	-	1195 502
	(Model P-903 filter).	2, 3, 4	1	1	1	1	1	1	1	1	1	1	1	1	-	-	-	-	1195 501
	(DeLuxe heavy duty filler).	1	-	-	-	1	1	1	1	1	1	1	1	1	-	-	-	-	1195 501
	(Model P-903 filter).	-	-	-	-	-	-	-	-	-	-	-	-	-	2	2	2	2	1193 508
SUPPORT (DeLuxe heavy duty filter).																			
	Bolt, 5/16"-24 x 1" (filter to support) (DeLuxe filter).	-	-	-	-	-	-	-	2	2	2	-	2	-	2	-	-	-	1274 837
	Nut	-	-	-	-	-	-	-	2	2	2	-	2	-	2	-	-	-	121 661
	Washer, lock	-	-	-	-	-	-	-	2	2	2	-	2	-	2	-	-	-	120 368
	Plain.	-	-	-	-	-	-	-	2	2	2	-	2	-	2	-	-	-	120 214
	Bolt, 3/8"-16 x 3/4" (non- cleanable filter).	-	2	2	2	2	2	2	2	2	2	2	2	2	-	-	-	-	120 387
	Washer, lock	-	2	2	2	2	2	2	2	2	2	2	2	2	-	-	-	-	122 119
	Plain	-	2	2	2	2	2	2	2	2	2	2	2	2	-	-	-	-	120 382
		-	2	2	2	2	2	2	2	2	2	2	2	2	-	-	-	-	120 394

★ Indicates use as required.

Prices and specifications subject to change without notice.

☐ Indicates parts not listed in any previous parts books.

Series No. (1 indicates B-1 Series) (2 indicates B-2 Series) (3 indicates B-3 Series) (4 indicates B-4 Series)

Where no Series No. is shown part is for B-1, B-2, B-3 and B-4 Series.

Printed in U.S.A.

CODE	PART NAME AND DESCRIPTION	SERIES NO.	MODEL CODES													PART NO.				
			B	C	D	F	G	H & HH	FM	GM	HM & HHM	J	JM	K	KM		R	T	V	Y
OIL FILTER - Cont'd																				
	Bolt, 3/8"-16 x 3/4" (DeLuxe filter)	-	2	2	2	2	2	2	-	-	-	2	-	2	-	-	-	-	-	122 119
	Washer, lock	-	2	2	2	2	2	2	-	-	-	2	-	2	-	-	-	-	-	120 382
	Plain	-	2	2	2	2	2	2	-	-	-	2	-	2	-	-	-	-	-	120 394
	Bolt, 3/8"-24 x 1" (support) (DeLuxe filter)	-	-	-	-	-	-	-	3	3	3	-	3	-	3	-	-	-	-	120 647
	Nut	-	-	-	-	-	-	-	3	3	3	-	3	-	3	-	-	-	-	120 369
	Washer, lock	-	-	-	-	-	-	-	3	3	3	-	3	-	3	-	-	-	-	120 382
	Screw or Bolt, 5/16"-18 x 2 1/2" (clamp) (Model P-903 filter)	-	-	-	-	-	-	-	-	-	-	-	-	-	2	2	2	2	-	133 129
	Nut	-	-	-	-	-	-	-	-	-	-	-	-	-	2	2	2	2	-	120 376
	Washer, lock	-	-	-	-	-	-	-	-	-	-	-	-	-	2	2	2	2	-	120 214
	Stud (non-cleanable filter)	-	-	-	-	-	-	-	-	-	-	-	-	-	2	-	-	-	-	113 237
	Nut	-	-	-	-	-	-	-	-	-	-	-	-	-	2	-	-	-	-	120 369
	Washer, lock	-	-	-	-	-	-	-	-	-	-	-	-	-	2	-	-	-	-	120 382
	Plain	-	-	-	-	-	-	-	-	-	-	-	-	-	2	-	-	-	-	120 394
	Stud (Model P-903 filter)	-	-	-	-	-	-	-	-	-	-	-	-	-	4	4	4	4	-	113 237
	Nut	-	-	-	-	-	-	-	-	-	-	-	-	-	4	4	4	4	-	120 369
	Washer, lock	-	-	-	-	-	-	-	-	-	-	-	-	-	4	4	4	4	-	120 382
	Plain	-	-	-	-	-	-	-	-	-	-	-	-	-	4	4	4	4	-	120 394
10-26-49	CLAMP (DeLuxe heavy duty filter)	-	2	2	2	2	2	2	2	2	2	2	2	2	-	-	-	-	-	1195 503
	Bolt, 5/16-24 x 1 1/4"	-	1	1	1	1	1	1	1	1	1	1	1	1	-	-	-	-	-	123 774
	Nut	-	1	1	1	1	1	1	1	1	1	1	1	1	-	-	-	-	-	120 368
	Washer, lock	-	1	1	1	1	1	1	1	1	1	1	1	1	-	-	-	-	-	120 214
	STRAP, Clamp (non-cleanable filter) (B-1-B up to serial No. 82096654; B-1-C up to serial No. 83325020; B-1-D up to serial No. 81270357)	1	2	2	2	-	-	-	-	-	-	-	-	-	-	-	-	-	-	71 165
	(B-1-B after serial No. 82096654; B-1-C after serial No. 83325020; B-1-D after serial No. 81270357)	1	2	2	2	-	-	-	-	-	-	-	-	-	-	-	-	-	-	1122 178
		1	-	-	-	2	2	2	2	2	2	2	2	2	2	2	-	-	-	1122 178
		2	2	2	2	2	2	2	-	2	2	2	2	2	2	2	-	-	-	1122 178
		3,4	2	2	2	2	2	2	-	2	2	2	2	2	2	2	-	-	-	1320 519
	Screw or Bolt, 1/4"-20 x 1 1/4"	3,4	1	1	1	1	1	1	-	1	1	1	1	1	1	1	-	-	-	133 053
	1/4"-20 x 3/4"	1,2	1	1	1	1	1	1	1	1	1	1	1	1	1	1	-	-	-	133 043
	Nut	-	1	1	1	1	1	1	1	1	1	1	1	1	1	1	-	-	-	120 375
	Washer, lock	-	1	1	1	1	1	1	1	1	1	1	1	1	1	1	-	-	-	120 380
OIL FILTER TUBES																				
10-27-1	TUBE, Engine to Oil Filter (non-cleanable filters)	-	1	1	1	-	-	-	-	-	-	-	-	-	-	-	-	-	-	861 543
		1	-	-	-	1	-	1	-	-	-	1	-	1	-	-	-	-	-	861 545
		2,3,4	-	-	-	1	1	1	-	-	-	1	-	1	-	-	-	-	-	861 543
		1	-	-	-	-	-	-	1	-	1	-	1	-	1	-	-	-	-	861 539
		-	-	-	-	-	-	-	-	-	-	-	-	-	1	-	-	-	-	861 602
		2,3	-	-	-	-	-	-	-	1	1	-	1	-	1	-	-	-	-	861 533
	Elbow	-	★	★	★	★	★	★	★	★	★	★	★	★	★	-	-	-	-	137 420
	Nipple or Connector	-	★	★	★	★	★	★	★	★	★	★	★	★	★	-	-	-	-	431 537
	Connector	-	-	-	-	★	★	★	★	★	★	★	★	★	★	-	-	-	-	446 603
	Nut	-	2	2	2	2	2	2	2	2	2	2	2	2	-	-	-	-	-	137 396
	TUBE, Engine to Oil Filter (DeLuxe heavy duty filter)	1	1	1	1	1	-	1	-	-	-	1	-	1	-	-	-	-	-	861 591
		-	-	-	-	-	-	-	1	1	1	-	1	-	1	-	-	-	-	861 596
		2,3,4	1	1	1	-	-	-	-	-	-	-	-	-	-	-	-	-	-	861 590
		2,3,4	-	-	-	1	1	1	-	-	-	1	-	1	-	-	-	-	-	861 591
	(Model P-903 filter)	1	-	-	-	-	-	-	-	-	-	-	-	-	1	1	1	-	-	861 601
		2	-	-	-	-	-	-	-	-	-	-	-	-	-	1	1	1	1	861 602

★Indicates use as required.

Prices and specifications subject to change without notice.

☐Indicates parts not listed in any previous parts books.

Series No. (1 indicates B-1 Series) (2 indicates B-2 Series) (3 indicates B-3 Series) (4 indicates B-4 Series)

Where no Series No. is shown part is for B-1, B-2, B-3 and B-4 Series.

Printed in U.S.A.

CODE	PART NAME AND DESCRIPTION	SERIES NO.	MODEL CODES														PART NO.			
			B	C	D	F	G	H & HH	FM	GM	HM & HHM	J	JM	K	KM	R		T	V	Y
OIL FILTER TUBES - Cont'd																				
10-27-1	TUBE, Engine to Oil Filter	3, 4	-	-	-	-	-	-	-	-	-	-	-	-	-	-	-	-	1	861 601
	Elbow	-	★	★	★	★	★	★	★	★	★	★	★	★	★	★	★	★	★	137 421
	Nipple	-	-	-	-	★	★	★	★	★	★	★	★	★	★	★	★	★	★	187 321
	Nut	-	2	2	2	2	2	2	2	2	2	2	2	2	2	2	2	2	2	137 397
10-27-3	NIPPLE, Engine to Oil Filter Tube (DeLux heavy duty filter)	-	★	★	★	★	★	★	★	★	★	★	★	★	-	-	-	-	-	869 572
10-27-12	TUBE, Oil Filter to Engine (non-cleanable filter)	-	-	1	1	1	-	-	-	-	-	-	-	-	-	-	-	-	-	861 536
	Elbow	1	-	-	-	1	-	1	-	-	-	1	-	1	-	-	-	-	-	861 540
	Nipple or Connector	2, 3, 4	-	-	-	1	1	1	-	-	-	1	-	1	-	-	-	-	-	861 538
	Nut	1	-	-	-	-	-	-	1	-	1	-	1	-	1	-	-	-	-	861 546
	Elbow	2, 3	-	-	-	-	-	-	-	1	1	-	1	-	1	-	-	-	-	861 545
	Nipple or Connector	-	★	★	★	★	★	★	★	★	★	★	★	★	★	★	★	★	★	137 420
	Nut	-	★	★	★	★	★	★	★	★	★	★	★	★	★	★	★	★	★	431 537
	TUBE, Oil Filter to Engine (DeLux heavy duty filter)	-	2	2	2	2	2	2	2	2	2	2	2	2	-	-	-	-	-	137 396
	TUBE, Oil Filter to Engine (DeLux heavy duty filter)	-	1	1	1	-	-	-	-	-	-	-	-	-	-	-	-	-	-	861 604
	(B-2-R up to serial No. 81858745; B-2-T, B-2-V up to serial No. 81793587)	-	-	-	-	1	1	1	-	-	-	1	-	1	-	-	-	-	-	861 606
	(B-2-R after serial No. 81858745; B-2-T, B-2-V after serial No. 81793587)	-	-	-	-	-	-	-	1	1	1	-	1	-	1	-	-	-	-	861 601
	(B-2-R up to serial No. 81858745; B-2-T, B-2-V up to serial No. 81793587)	1, 2	-	-	-	-	-	-	-	-	-	-	-	-	1	1	1	-	-	861 598
	Elbow	2, 3, 4	-	-	-	-	-	-	-	-	-	-	-	-	-	1	1	1	1	1269 291
	Elbow	-	★	★	★	-	-	-	-	-	-	-	-	-	-	-	-	-	-	125 859
	Nut	-	★	★	★	★	★	★	★	★	★	★	★	★	★	★	★	★	★	137 421
10-27-14	NIPPLE, Oil Filter to Engine Tube	-	2	2	2	2	2	2	2	2	2	2	2	2	2	2	2	2	2	137 397
10-27-29	HOSE, Flexible (DeLux heavy duty filter)	-	★	★	★	★	★	★	★	★	★	★	★	★	★	★	★	★	★	869 572
	Nut	-	-	-	-	-	-	-	2	2	2	-	2	-	2	-	-	-	-	1057 835

NOTES

★Indicates use as required.

Prices and specifications subject to change without notice.

☐Indicates parts not listed in any previous parts books.

Series No. (1 indicates B-1 Series) (2 indicates B-2 Series) (3 indicates B-3 Series) (4 indicates B-4 Series)

Where no Series No. is shown part is for B-1, B-2, B-3 and B-4 Series.

Printed in U.S.A.

CODE	PART NAME AND DESCRIPTION	SERIES NO.	MODEL CODES												PART NO.	
			B	C	D	F	G	H & HH	FM	GM	HM & HHM	J	JM	K		KM

NOTES
