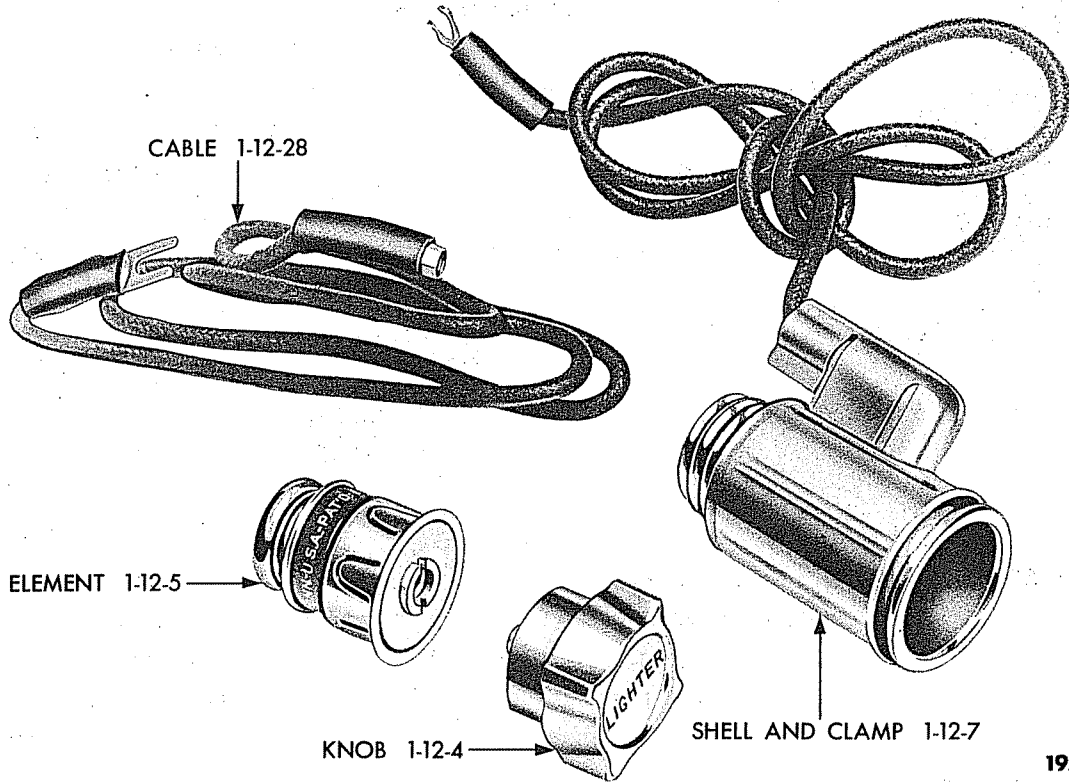


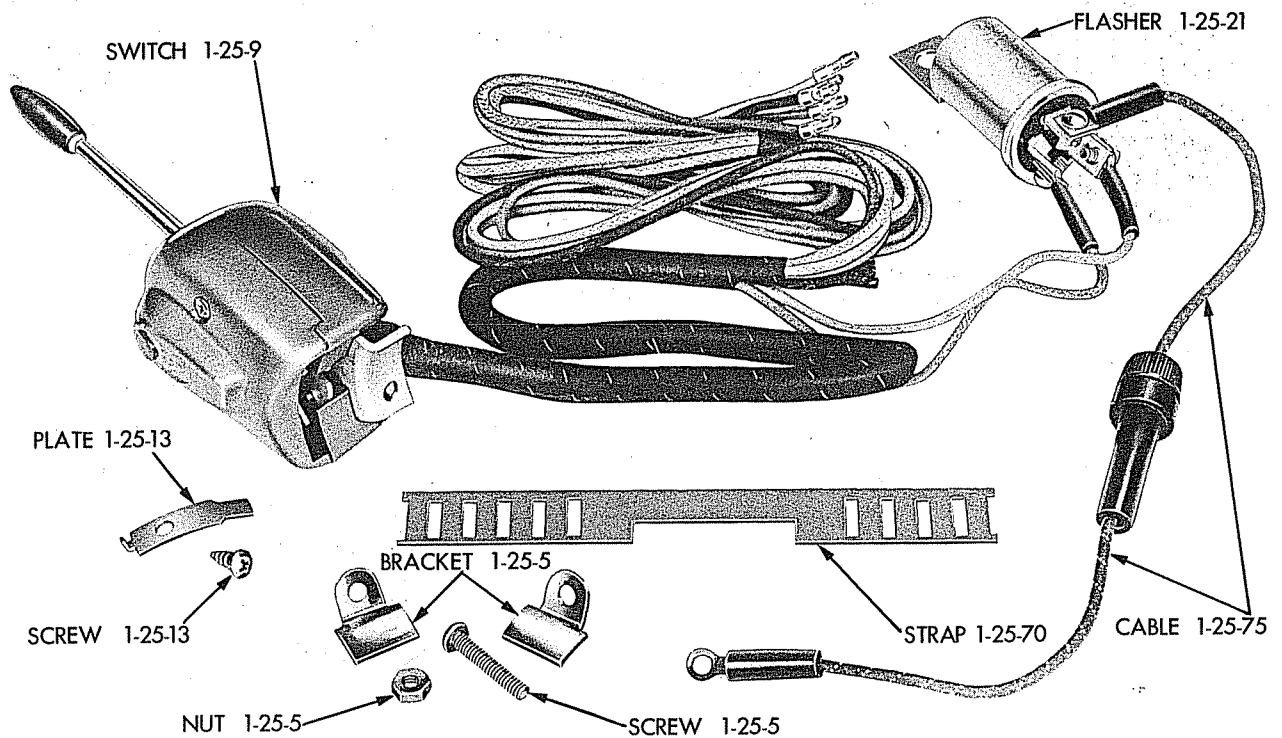
# GROUP 1 - ACCESSORIES



19x6089

Plate 1-1

CIGAR LIGHTER PACKAGE (1-12-1)



19x6029

Plate 1-2

DIRECTIONAL SIGNAL LAMP SWITCH (SELF CANCELLING TYPE) (EXPLODED VIEW)

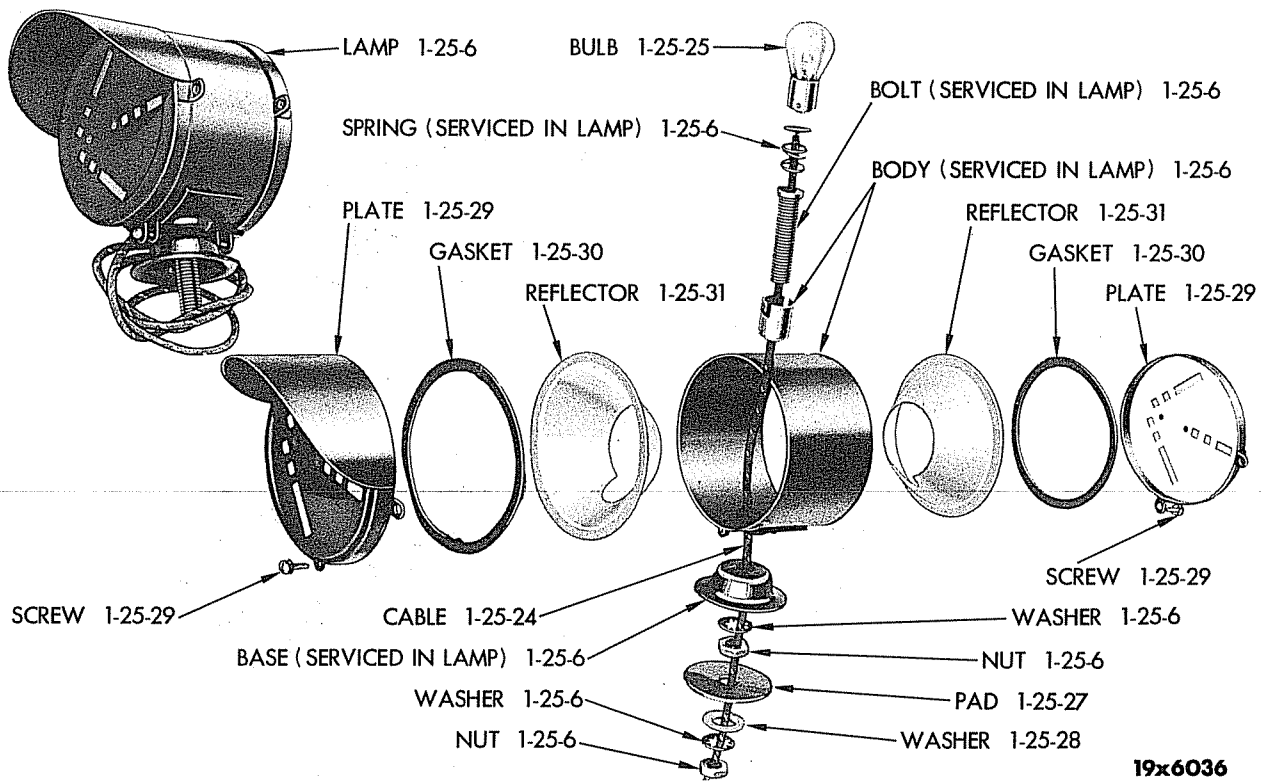


Plate 1-3 DIRECTIONAL SIGNAL LAMP PACKAGE (DOUBLE-FACE) (EXPLODED VIEW) (1-25-1)

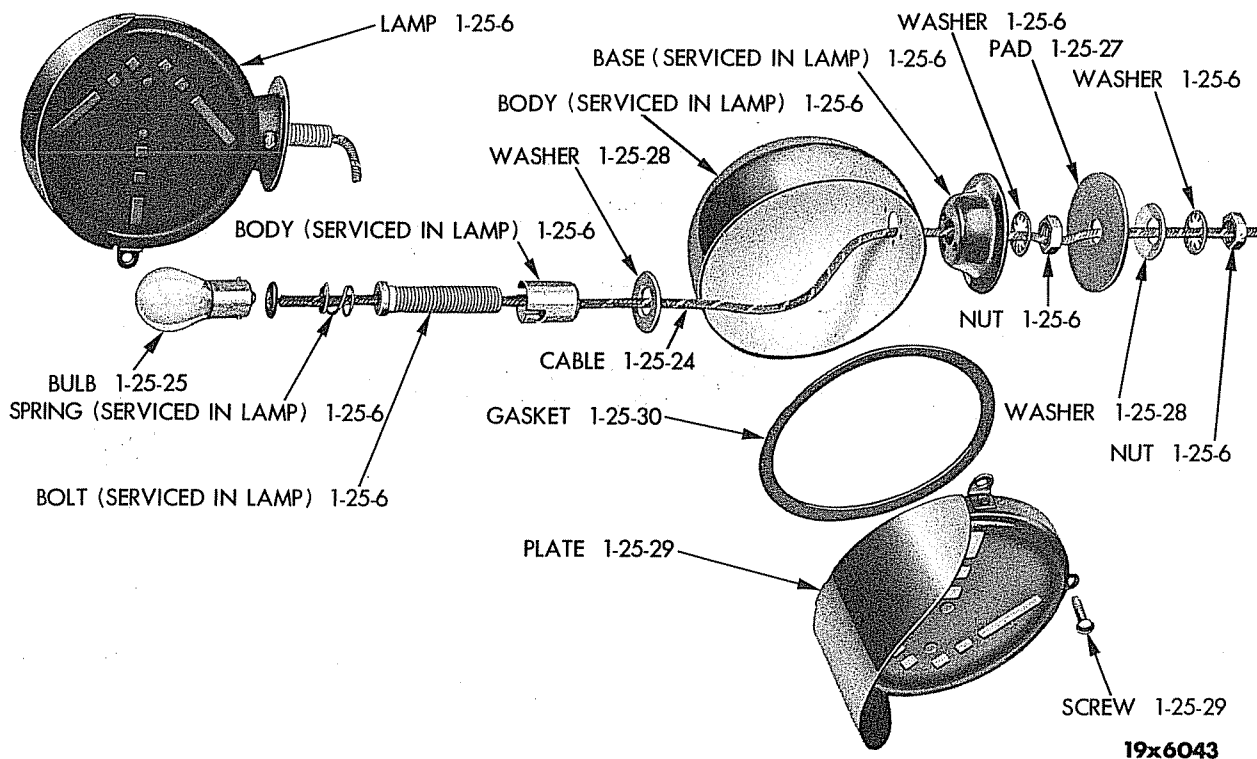
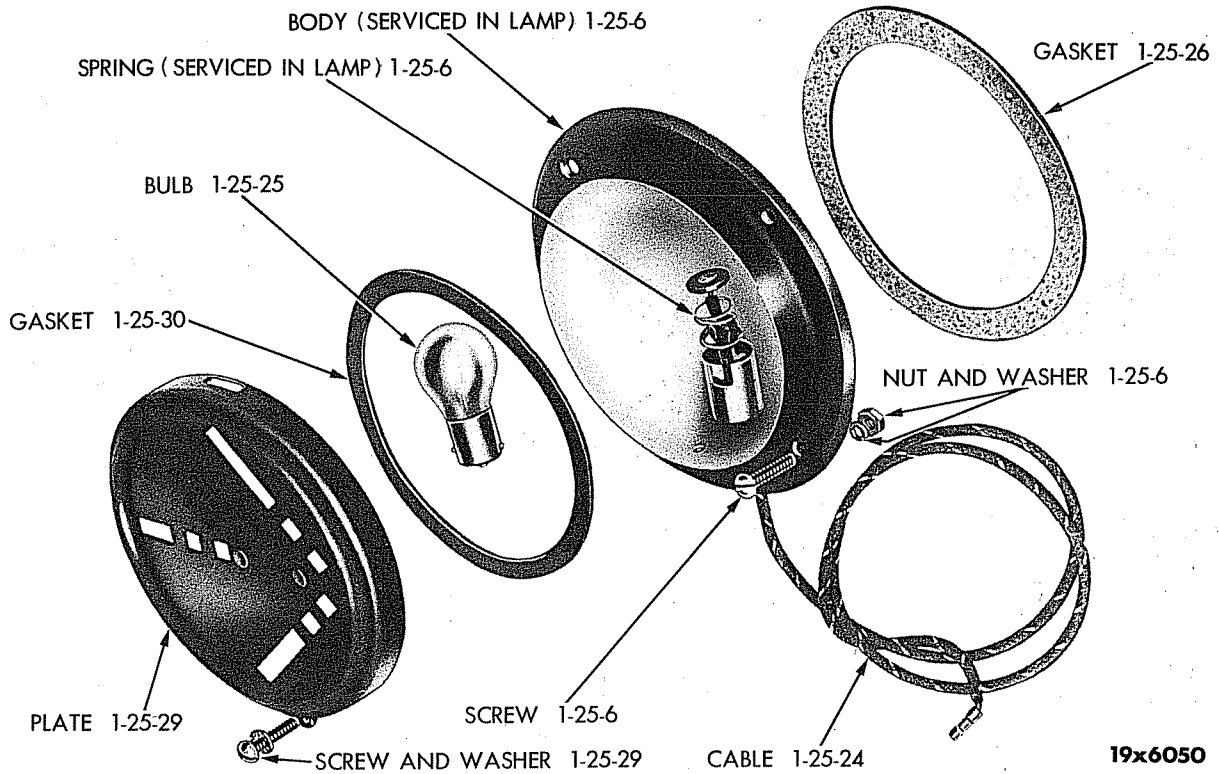
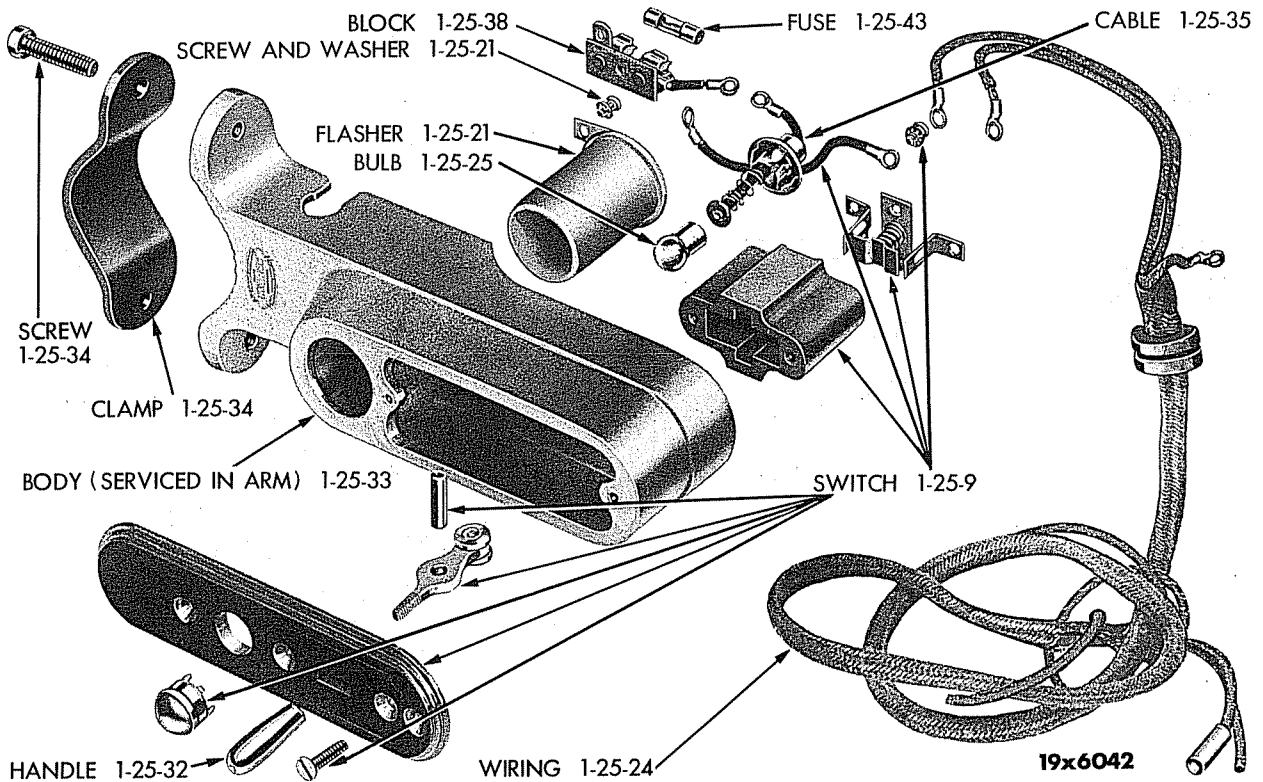


Plate 1-4 DIRECTIONAL SIGNAL LAMP PACKAGE (SINGLE-FACE) (EXPLODED VIEW) (1-25-1)



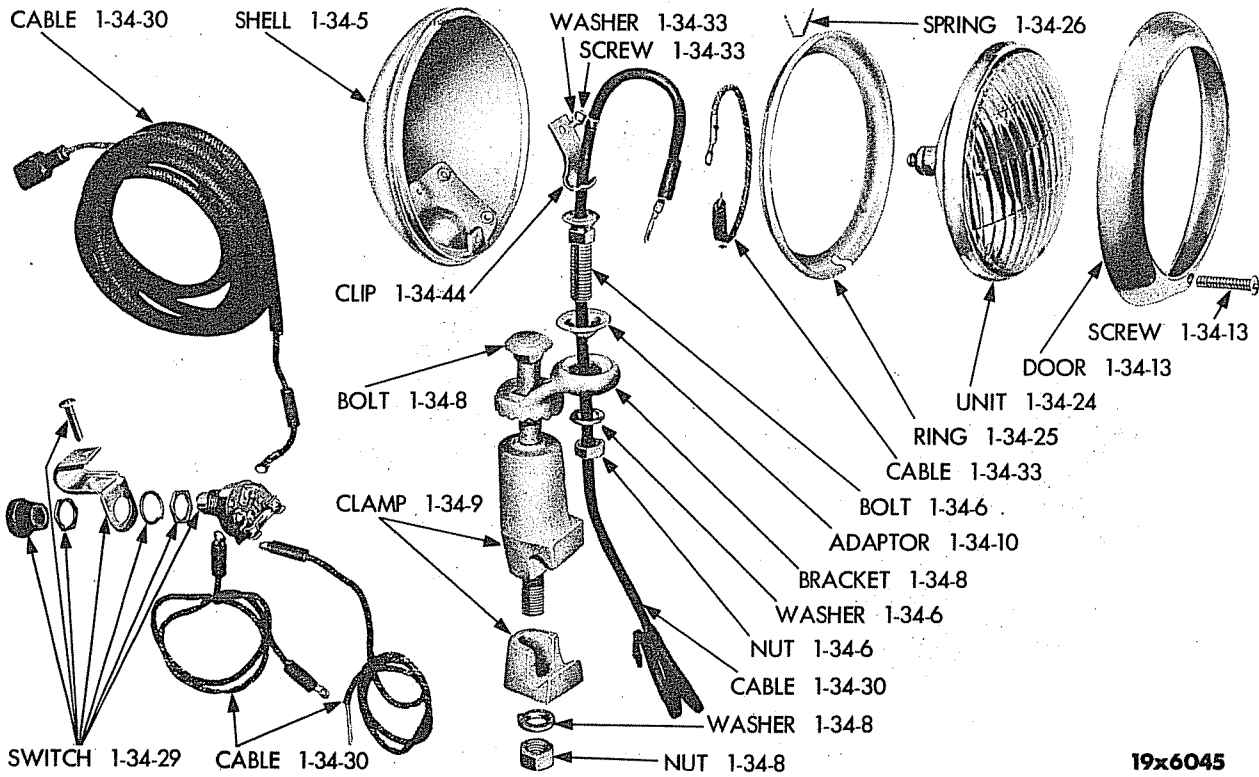
19x6050

Plate 1-5 DIRECTIONAL SIGNAL LAMP PACKAGE (FLUSH-MOUNTED) (EXPLODED VIEW) (1-25-1)



19x6042

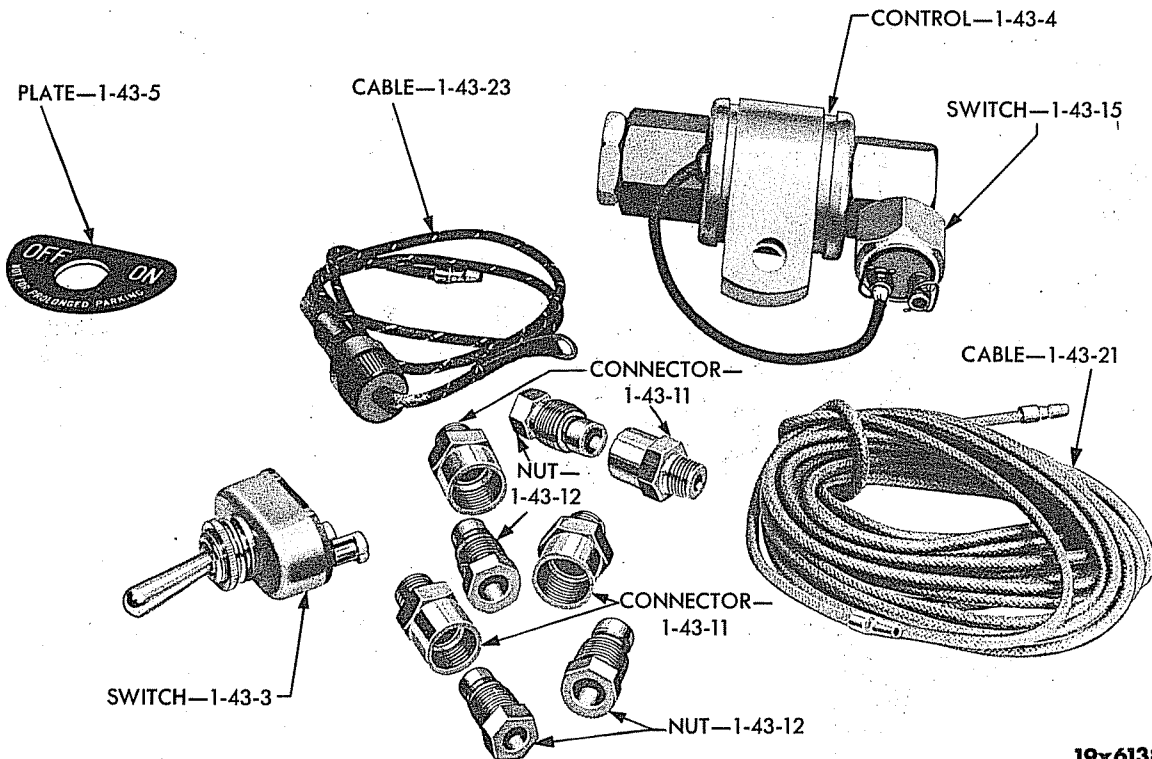
Plate 1-6 DIRECTIONAL SIGNAL CONTROL ARM AND CABLE PACKAGE (EXPLODED VIEW) (1-25-2)



19x6045

Plate 1-7

FOGLIGHT AND BRACKET (EXPLODED VIEW)

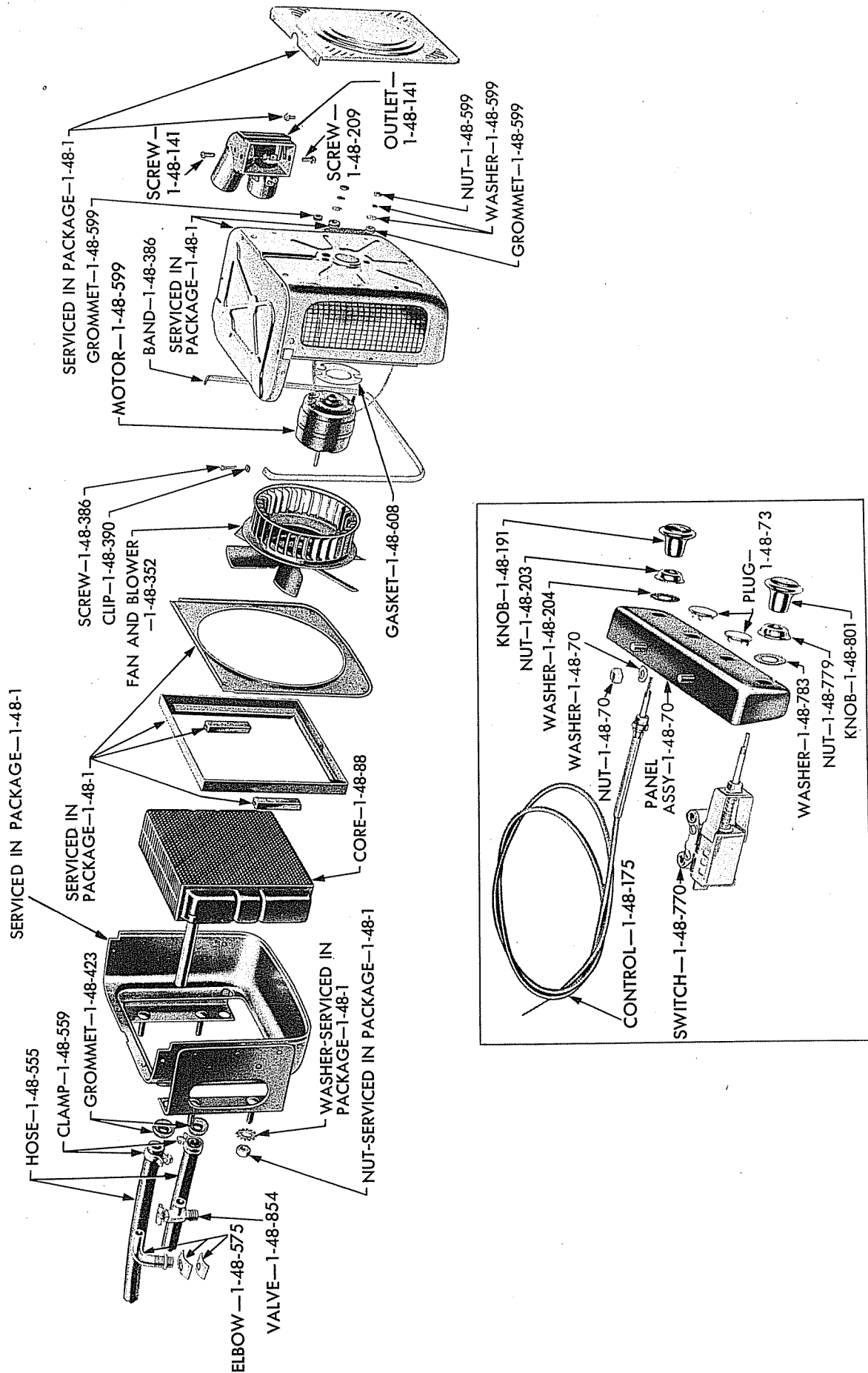


19x6138

Plate 1-8

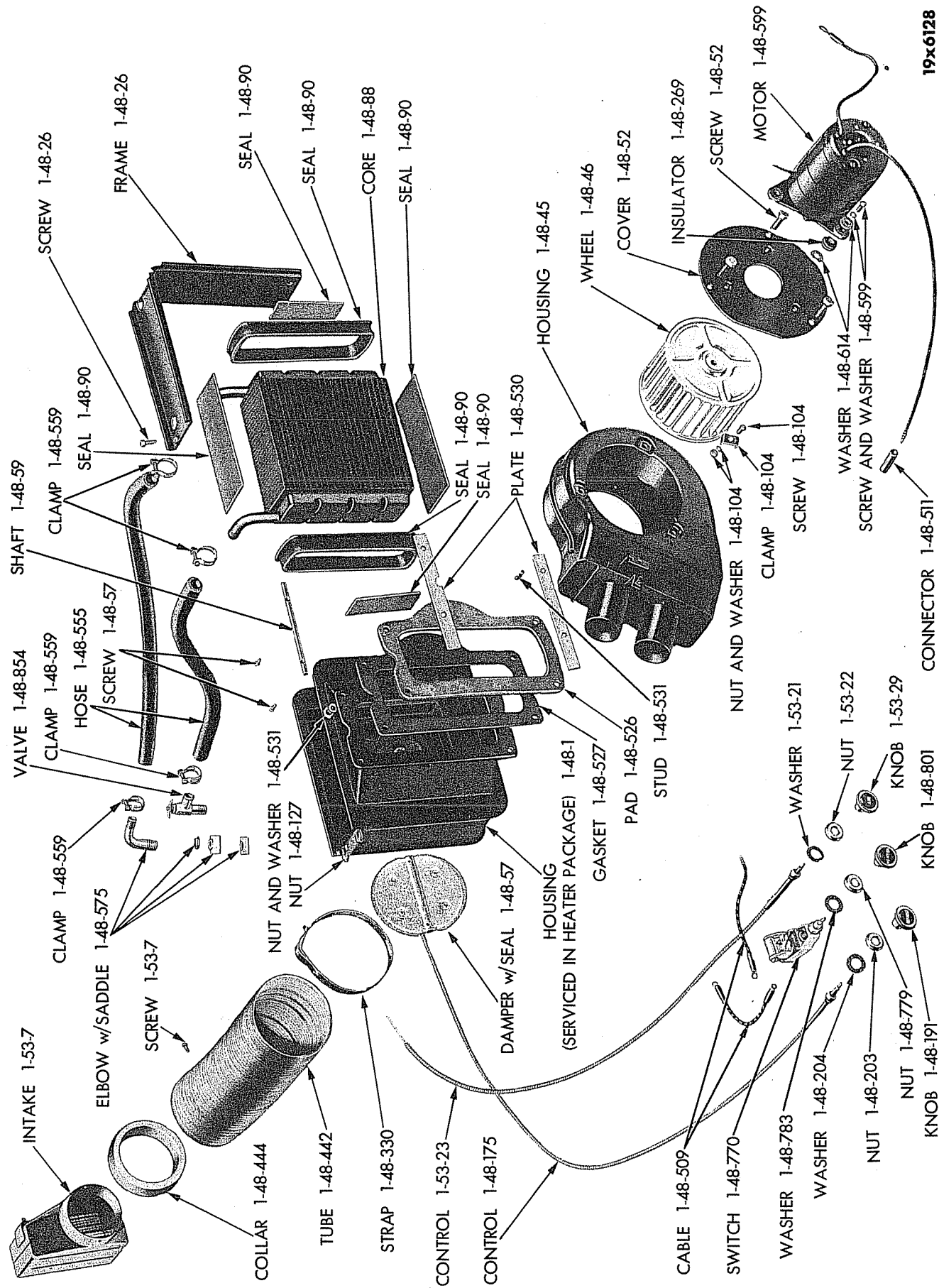
BRAKE HOLDER PACKAGE (1-43-1)

19x6137



HEATER - MODELS 62 and 65

Plate 1-9



HEATER MODEL 504 (EXPLODED VIEW)

Plate 1-10

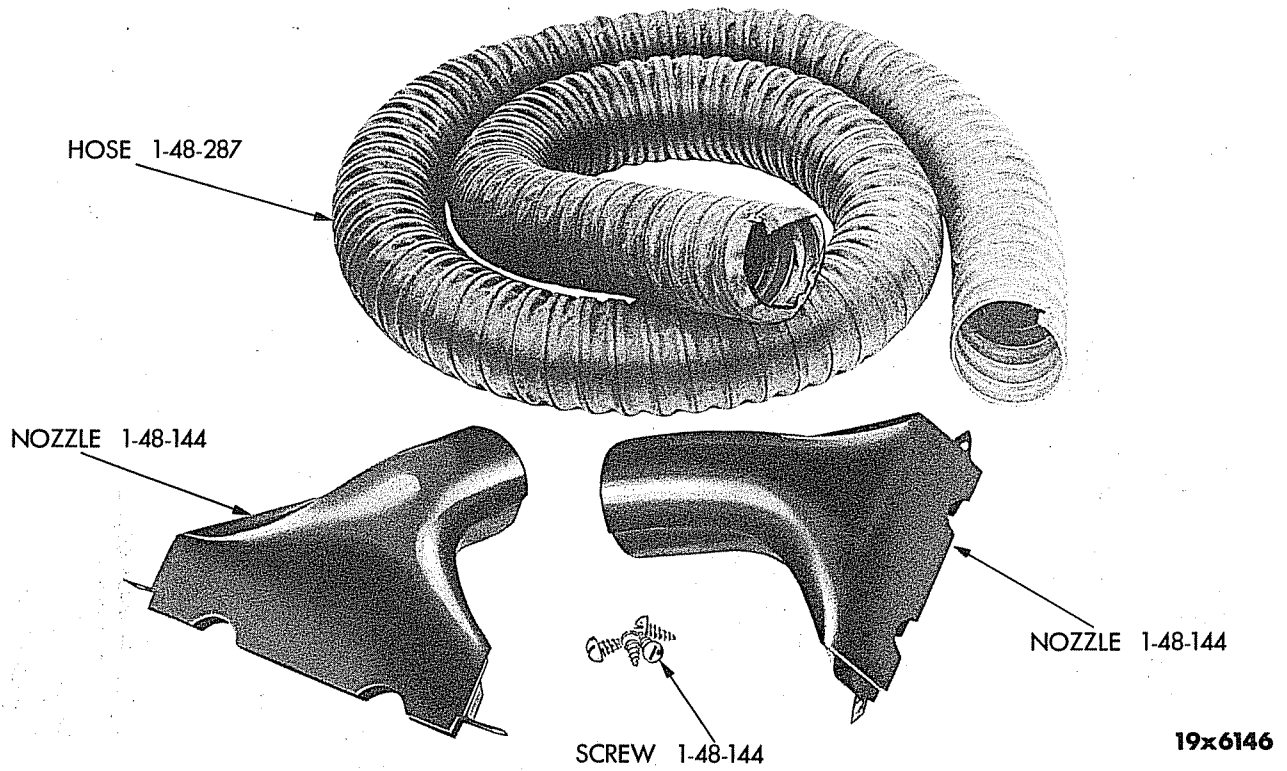


Plate 1-11

WINDSHIELD DEFROSTER PACKAGE (1-48-137)

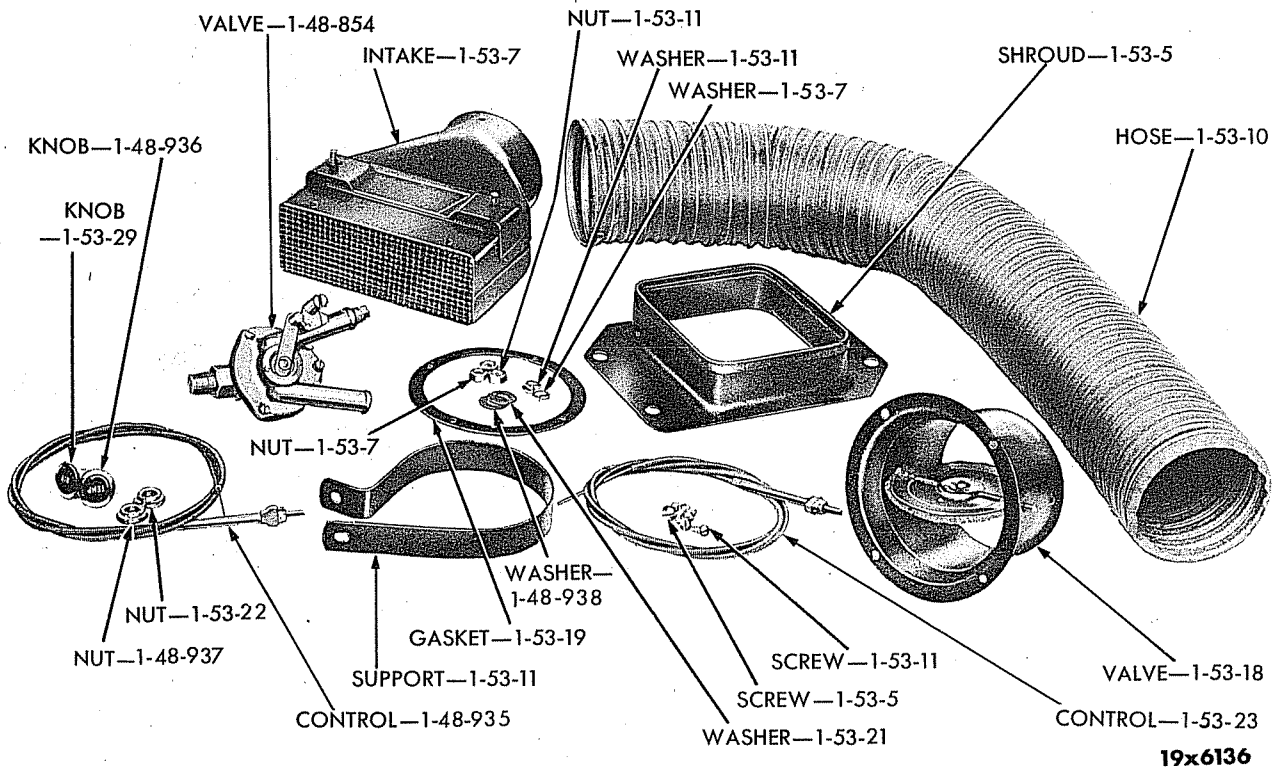


Plate 1-12

FRESH AIR INTAKE PACKAGE (FOR USE IN MODEL 61 and 62 HEATER) (1-53-1)



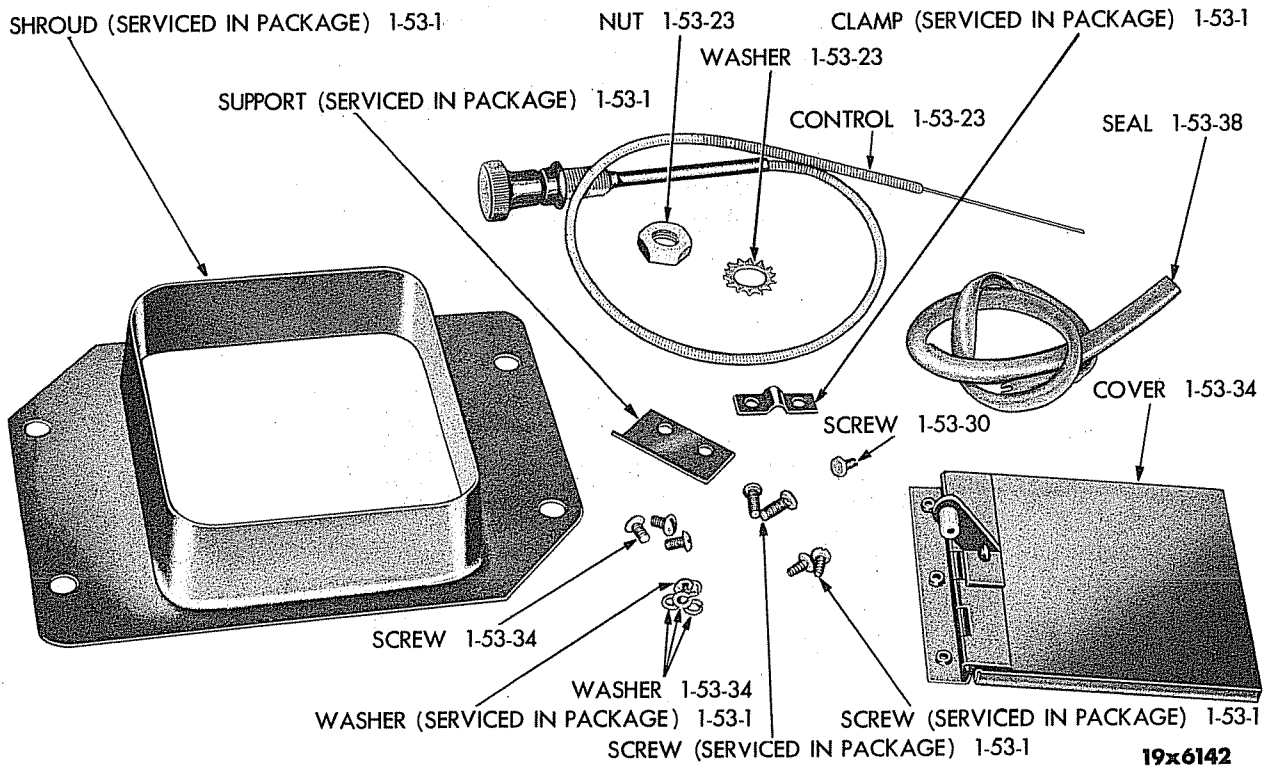


Plate 1-13

FRESH AIR INTAKE PACKAGE (1-53-1)

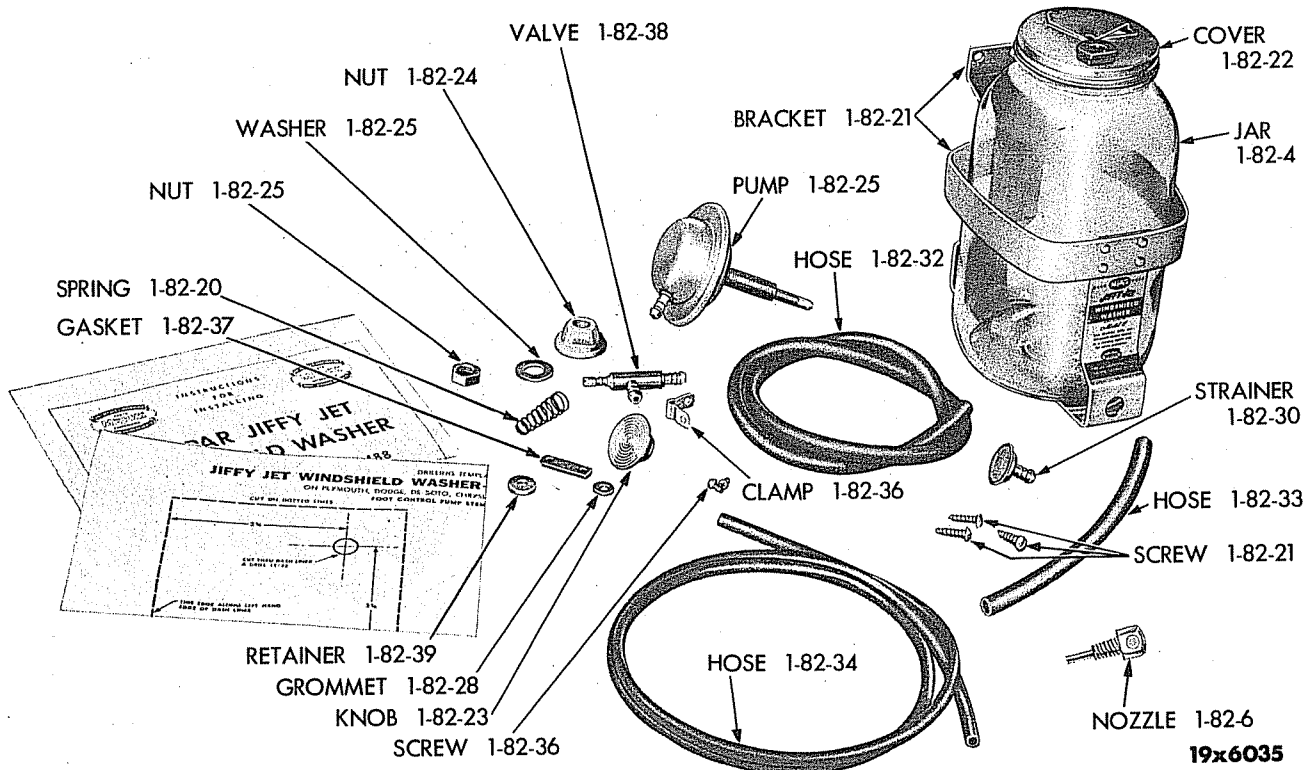
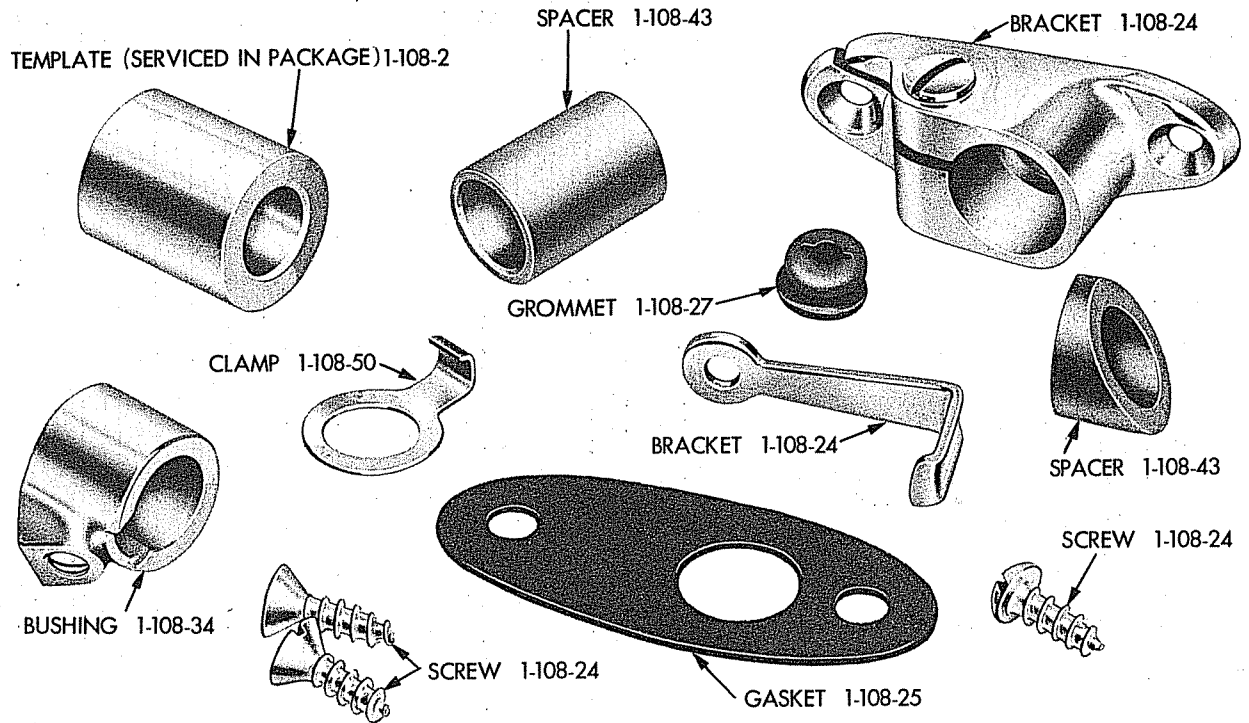


Plate 1-14

WINDSHIELD WASHER PACKAGE (1-82-2)

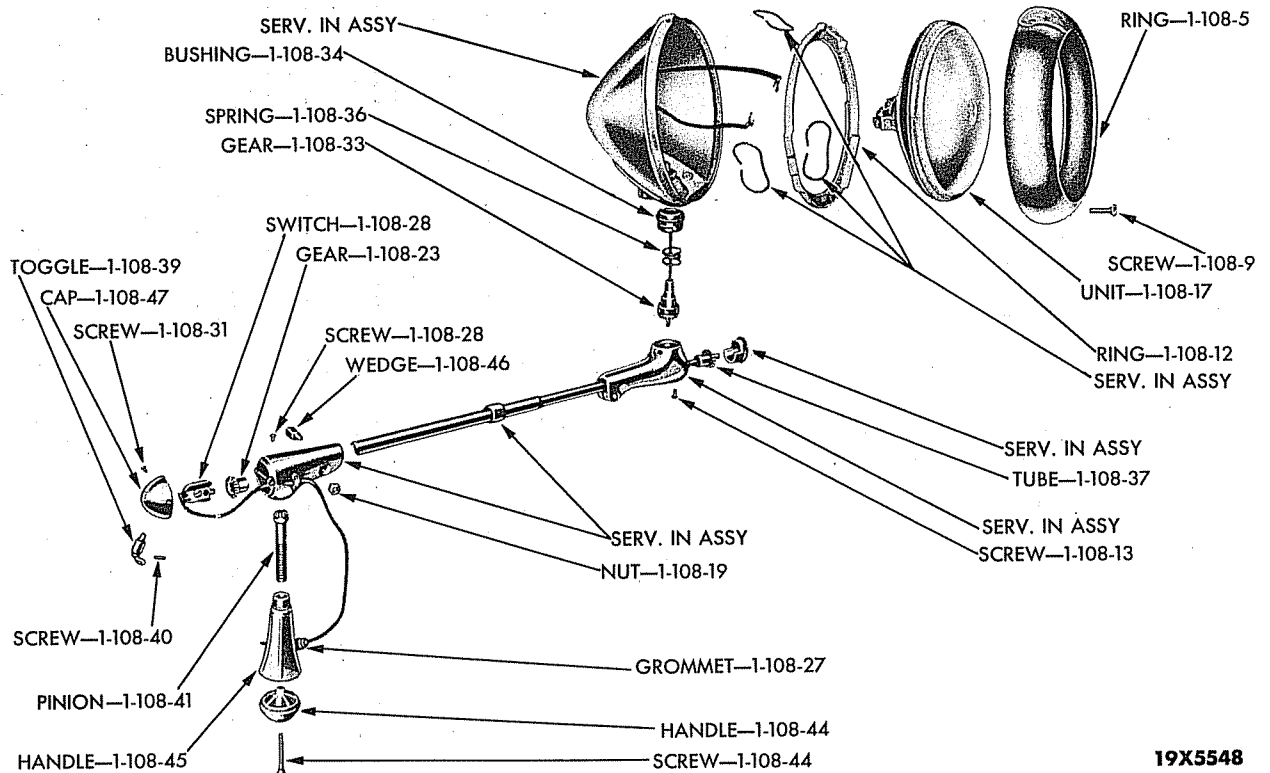




19x6010

Plate 1-15

SPOTLIGHT MOUNTING BRACKET PACKAGE (1-108-2)



19X5548

Plate 1-16

SPOTLIGHT (EXPLODED VIEW)

CODE	PART NAME AND DESCRIPTION	SERIES NO.	MODEL CODES														PART NO.				
			B	C	D	F	G	H&HH	FM	GM	HM & HHM	J	JM	K	KM	R		T	V	Y	
<b>RADIATOR GUARD</b>																					
1-01-4	BRACE . . . . .	1,2	1	1	1	1	1	1	-	-	-	1	-	1	-	1	1	1	1	1262 870	
	Bolt, 1/2" -20 x 1 1/4" . . . . .	-	2	2	2	2	2	2	-	-	-	2	-	2	-	2	2	2	2	120 424	
	Nut . . . . .	-	2	2	2	2	2	2	-	-	-	2	-	2	-	2	2	2	2	120 371	
	Washer, lock . . . . .	-	2	2	2	2	2	2	-	-	-	2	-	2	-	2	2	2	2	120 384	
1-01-5	GROMMET, Brace Rod Hole . . . . .	1,2	2	2	2	2	2	2	-	-	-	2	-	2	-	2	2	2	2	1233 500	
<b>CIGAR LIGHTER</b>																					
1-12-1	PACKAGE . . . . .	-	1	1	1	1	1	1	1	1	1	1	1	1	1	1	1	1	1	⊠1498 770	
1-12-4	KNOB (ivory) . . . . .	-	1	1	1	1	1	1	1	1	1	1	1	1	1	1	1	1	1	1149 801	
	(black) . . . . .	-	1	1	1	1	1	1	1	1	1	1	1	1	1	1	1	1	1	1272 393	
	(chrome) . . . . .	-	1	1	1	1	1	1	1	1	1	1	1	1	1	1	1	1	1	⊠1339 687	
1-12-5	ELEMENT, Heat . . . . .	-	1	1	1	1	1	1	1	1	1	1	1	1	1	1	1	1	1	687 484	
1-12-7	SHELL, w/CLAMP (without light) . . . . .	-	1	1	1	1	1	1	1	1	1	1	1	1	1	1	1	1	1	1239 337	
	(with light) . . . . .	-	1	1	1	1	1	1	1	1	1	1	1	1	1	1	1	1	1	⊠1436 216	
1-12-23	CLAMP, Mounting . . . . .	-	1	1	1	1	1	1	1	1	1	1	1	1	1	1	1	1	1	1239 335	
1-12-28	CABLE, Feed . . . . .	-	1	1	1	1	1	1	1	1	1	1	1	1	1	1	1	1	1	⊠1310 762	
1-12-33	CONNECTOR, Feed Cable . . . . .	-	1	1	1	1	1	1	1	1	1	1	1	1	1	1	1	1	1	611 898	
1-12-39	BEZEL . . . . .	-	1	1	1	1	1	1	1	1	1	1	1	1	1	1	1	1	1	⊠1310 658	
1-12-41	TERMINAL, Feed Cable . . . . .	-	1	1	1	1	1	1	1	1	1	1	1	1	1	1	1	1	1	1273 251	
<b>UTILITY LIGHT</b>																					
1-15-1	LIGHT . . . . .	-	1	1	1	1	1	1	1	1	1	1	1	1	1	1	1	1	1	⊠1325 994	
1-15-2	UNIT, Sealed Beam . . . . .	-	1	1	1	1	1	1	1	1	1	1	1	1	1	1	1	1	1	1253 120	
1-15-3	SWITCH . . . . .	-	1	1	1	1	1	1	1	1	1	1	1	1	1	1	1	1	1	---- --	
<b>ASH RECEIVER</b>																					
1-18-2	RECEIVER . . . . .	1,2	1	1	1	1	1	1	1	1	1	1	1	1	1	1	1	1	1	951 770	
	(Flat Face Cowl) . . . . .	3,4	1	1	1	1	1	1	1	1	1	1	1	1	1	1	1	1	1	951 770	
1-18-3	HOUSING . . . . .	1,2	1	1	1	1	1	1	1	1	1	1	1	1	1	1	1	1	1	1194 626	
	(except Flat Face Cowl) . . . . .	3,4	1	1	1	1	1	1	1	1	1	1	1	1	1	1	1	1	1	1272 303	
	(Flat Face Cowl) . . . . .	3,4	1	1	1	1	1	1	1	1	1	1	1	1	1	1	1	1	1	1194 626	
	Nut . . . . .	-	2	2	2	2	2	2	2	2	2	2	2	2	2	2	2	2	2	120 361	
	Washer, lock . . . . .	-	2	2	2	2	2	2	2	2	2	2	2	2	2	2	2	2	2	138 479	
1-18-4	PLATE, Face . . . . .	1,2	1	1	1	1	1	1	1	1	1	1	1	1	1	1	1	1	1	1194 627	
	(except Flat Face Cowl) . . . . .	3,4	1	1	1	1	1	1	1	1	1	1	1	1	1	1	1	1	1	1272 300	
	(Flat Face Cowl) . . . . .	3,4	1	1	1	1	1	1	1	1	1	1	1	1	1	1	1	1	1	1194 627	
1-18-5	KNOB . . . . .	-	1	1	1	1	1	1	1	1	1	1	1	1	1	1	1	1	1	1195 688	
	Screw, No. 10-38 x 3/8" . . . . .	-	1	1	1	1	1	1	1	1	1	1	1	1	1	1	1	1	1	132 900	
	Washer, lock . . . . .	-	1	1	1	1	1	1	1	1	1	1	1	1	1	1	1	1	1	120 217	
1-18-6	SPACER, Housing . . . . .	1,2	1	1	1	1	1	1	1	1	1	1	1	1	1	1	1	1	1	1194 612	
	(Flat Face Cowl) . . . . .	3,4	1	1	1	1	1	1	1	1	1	1	1	1	1	1	1	1	1	1194 612	
1-18-7	PLATE (ash receiver mounting) . . . . .	3,4	1	1	1	1	1	1	1	1	1	1	1	1	1	1	1	1	1	1271 226	
	(except Flat Face Cowl) . . . . .	3,4	1	1	1	1	1	1	1	1	1	1	1	1	1	1	1	1	1	1271 227	
	(ash receiver and cigar lighter mounting) (except Flat Face Cowl) . . . . .	3,4	1	1	1	1	1	1	1	1	1	1	1	1	1	1	1	1	1	1271 227	
1-18-8	RETAINER, Housing (except Flat Face Cowl) . . . . .	3,4	1	1	1	1	1	1	1	1	1	1	1	1	1	1	1	1	1	1272 302	
1-18-10	BEZEL (except Flat Face Cowl) . . . . .	3,4	1	1	1	1	1	1	1	1	1	1	1	1	1	1	1	1	1	1272 301	

★Indicates use as required.

Prices and specifications subject to change without notice.

⊠Indicates parts not listed in any previous parts books.

Series No. (1 indicates B-1 Series) (2 indicates B-2 Series) (3 indicates B-3 Series) (4 indicates B-4 Series)

Where no Series No. is shown part is for B-1, B-2, B-3 and B-4 Series.

Printed in U.S.A.

CODE	PART NAME AND DESCRIPTION	SERIES NO.	MODEL CODES														PART NO.				
			B	C	D	F	G	H & HH	FM	GM	HM & HHM	J	JM	K	KM	R		T	V	Y	
<b>DIRECTIONAL SIGNAL LAMP</b>																					
1-25-5	BRACKET, Lamp Mounting (Express jobs) (manual) . . . . .	-	2	2	2	-	-	-	-	-	-	-	-	-	-	-	-	-	-	1272 391	
1-25-6	LAMP (right) (single face) . . . . .	-	1	1	1	1	1	1	1	1	1	1	1	1	1	1	1	1	1	1264 076	
	(left) (single face) . . . . .	-	1	1	1	1	1	1	1	1	1	1	1	1	1	1	1	1	1	1264 077	
	(right) (double face) . . . . .	-	1	1	1	1	1	1	1	1	1	1	1	1	1	1	1	1	1	1264 068	
	(left) (double face) . . . . .	-	1	1	1	1	1	1	1	1	1	1	1	1	1	1	1	1	1	1264 069	
	Nut . . . . .	-	2	2	2	2	2	2	2	2	2	2	2	2	2	2	2	2	2	120 370	
	Washer, lock . . . . .	-	2	2	2	2	2	2	2	2	2	2	2	2	2	2	2	2	2	136 857	
	LAMP (right) (flush mounted) . . . . .	-	1	1	1	1	1	1	1	1	1	1	1	1	1	1	1	1	1	1272 378	
	(left) (flush mounted) . . . . .	-	1	1	1	1	1	1	1	1	1	1	1	1	1	1	1	1	1	1264 059	
	Screw, No. 8-32 x 1" . . . . .	-	8	8	8	8	8	8	8	8	8	8	8	8	8	8	8	8	8	134 239	
	Nut . . . . .	-	8	8	8	8	8	8	8	8	8	8	8	8	8	8	8	8	8	120 622	
	Washer, lock . . . . .	-	8	8	8	8	8	8	8	8	8	8	8	8	8	8	8	8	8	121 841	
1-25-9	SWITCH, Control (manual) . . . . .	-	1	1	1	1	1	1	1	1	1	1	1	1	1	1	1	1	1	1263 973	
	(self cancelling) . . . . .	-	1	1	1	1	1	1	1	1	1	1	1	1	1	1	1	1	1	1391 899	
1-25-13	PLATE, Turn Signal Lamp Switch Control (self cancelling) . . . . .	-	1	1	1	1	1	1	1	1	1	1	1	1	1	1	1	1	1	1394 268	
	Screw, No. 10-32 x 3/8" . . . . .	-	1	1	1	1	1	1	1	1	1	1	1	1	1	1	1	1	1	132 900	
1-25-14	BRACKET, Turn Signal Lamp Switch Mounting (self cancelling) . . . . .	-	2	2	2	2	2	2	2	2	2	2	2	2	2	2	2	2	2	1394 267	
1-25-21	FLASHER, Control Arm (manual) . . . . .	-	1	1	1	1	1	1	1	1	1	1	1	1	1	1	1	1	1	1264 063	
	Lamp Switch (self cancelling) . . . . .	-	1	1	1	1	1	1	1	1	1	1	1	1	1	1	1	1	1	1257 223	
	Screw, No. 6-32 x 1/4" (manual) . . . . .	-	1	1	1	1	1	1	1	1	1	1	1	1	1	1	1	1	1	132 688	
	Screw or Bolt, 1/4"-20 x 3/8" (self cancelling) . . . . .	-	1	1	1	1	1	1	1	1	1	1	1	1	1	1	1	1	1	131 375	
	Nut (self cancelling) . . . . .	-	1	1	1	1	1	1	1	1	1	1	1	1	1	1	1	1	1	120 375	
	Washer, lock . . . . .	-	1	1	1	1	1	1	1	1	1	1	1	1	1	1	1	1	1	138 473	
	Washer, lock . . . . .	-	1	1	1	1	1	1	1	1	1	1	1	1	1	1	1	1	1	120 380	
1-25-24	WIRING, Control (specify 65" of 211 318 Cable, 2-665 151 Plug, 1-200 393 Terminal, 3-200 001 Terminal and 4-1264 933 Sleeve) (manual) . . . . .	-	1	1	1	1	1	1	1	1	1	1	1	1	1	1	1	1	1	1	----
	CABLE, Lamp (specify 32" of 211 318 Cable, 1-665 151 Plug and 1-657 572 Contact) . . . . .	-	2	2	2	2	2	2	2	2	2	2	2	2	2	2	2	2	2	2	----
1-25-25	BULB, Lamp . . . . .	-	2	2	2	2	2	2	2	2	2	2	2	2	2	2	2	2	2	142 308	
	Control Arm (manual) . . . . .	-	1	1	1	1	1	1	1	1	1	1	1	1	1	1	1	1	1	115 273	
1-25-26	GASKET, Mounting (use with flush mounted lamp) . . . . .	-	2	2	2	2	2	2	2	2	2	2	2	2	2	2	2	2	2	1263 503	
1-25-27	PAD, Mounting Base (use with single and double face lamps) . . . . .	-	2	2	2	2	2	2	2	2	2	2	2	2	2	2	2	2	2	1264 071	
1-25-28	WASHER, Mounting Base (use with single and double face lamps) . . . . .	-	2	2	2	2	2	2	2	2	2	2	2	2	2	2	2	2	2	1264 072	
1-25-29	PLATE, Face (right) (use with single and double face lamps) . . . . .	-	1	1	1	1	1	1	1	1	1	1	1	1	1	1	1	1	1	1264 074	
	(left) (use with single and double face lamps) . . . . .	-	1	1	1	1	1	1	1	1	1	1	1	1	1	1	1	1	1	1264 075	
	(right) (use with flush mounted lamp) . . . . .	-	1	1	1	1	1	1	1	1	1	1	1	1	1	1	1	1	1	1264 080	
	(left) (use with flush mounted lamp) . . . . .	-	1	1	1	1	1	1	1	1	1	1	1	1	1	1	1	1	1	1264 081	
	PLATE, Back (right) (use with double face lamp) . . . . .	-	1	1	1	1	1	1	1	1	1	1	1	1	1	1	1	1	1	1264 080	
	(left) (use with double face lamp) Screw, No. 8-32 x 3/8" . . . . .	-	4	4	4	4	4	4	4	4	4	4	4	4	4	4	4	4	4	121 832	
1-25-30	GASKET, Face and Back Plate Mounting . . . . .	-	★	★	★	★	★	★	★	★	★	★	★	★	★	★	★	★	★	1264 078	

★Indicates use as required.

Prices and specifications subject to change without notice.

☐Indicates part not listed in any previous parts books.

Series No. (1 indicates B-1 Series) (2 indicates B-2 Series) (3 indicates B-3 Series) (4 indicates B-4 Series)

Where no Series No. is shown part is for B-1, B-2, B-3 and B-4 Series.

CODE	PART NAME AND DESCRIPTION	SERIES NO.	MODEL CODES													PART NO.				
			B	C	D	F	G	H & HH	FM	GM	HM & HHM	J	JM	K	KM		R	T	V	Y
<b>DIRECTIONAL SIGNAL LAMP - Cont'd</b>																				
1-25-31	REFLECTOR (use with double face lamp) . . . . .	-	4	4	4	4	4	4	4	4	4	4	4	4	4	4	4	4	4	1264 070
1-25-32	HANDLE, Control (manual) . . . . .	-	1	1	1	1	1	1	1	1	1	1	1	1	1	1	1	1	1	1264 061
1-25-33	ARM, Control (manual) . . . . .	-	1	1	1	1	1	1	1	1	1	1	1	1	1	1	1	1	1	1264 065
1-25-34	CLAMP, Control Arm Mounting (manual) . . . . .	-	1	1	1	1	1	1	1	1	1	1	1	1	1	1	1	1	1	1264 062
	Bolt or Screw, 1/4"-20 x 1 1/2" . . . . .	-	2	2	2	2	2	2	2	2	2	2	2	2	2	2	2	2	2	133 056
1-25-35	CABLE, Indicator Light (specify 2 3/4" of 211 318 Cable, 1-200 393 Terminal, 1-1264 933 Sleeve, 1-856 612 Socket, 1-385 532 Spring, 1-657 583 Bushing and 1-657 572 Contact) (manual) . . . . .	-	1	1	1	1	1	1	1	1	1	1	1	1	1	1	1	1	1	----
1-25-36	PLUG, Wiring . . . . .	-	10	10	10	10	10	10	10	10	10	10	10	10	10	10	10	10	10	665 151
1-25-37	CONNECTOR, Wiring . . . . .	-	4	4	4	4	4	4	4	4	4	4	4	4	4	4	4	4	4	611 898
	"Y" . . . . .	-	2	2	2	2	2	2	2	2	2	2	2	2	2	2	2	2	2	689 867
1-25-38	BLOCK, Fuse (manual) . . . . .	-	1	1	1	1	1	1	1	1	1	1	1	1	1	1	1	1	1	1263 974
1-25-41	CONTACT, Cable (manual) . . . . .	-	2	2	2	2	2	2	2	2	2	2	2	2	2	2	2	2	2	657 572
1-25-43	FUSE, Control Arm (manual) . . . . .	-	1	1	1	1	1	1	1	1	1	1	1	1	1	1	1	1	1	147 684
	(self cancelling) . . . . .	-	1	1	1	1	1	1	1	1	1	1	1	1	1	1	1	1	1	147 685
1-25-45	INSULATOR, Lamp Socket . . . . .	-	2	2	2	2	2	2	2	2	2	2	2	2	2	2	2	2	2	1273 303
1-25-70	STRAP, Turn Signal Lamp Switch Mounting (self cancelling) . . . . .	-	1	1	1	1	1	1	1	1	1	1	1	1	1	1	1	1	1	E1394 266
	Screw, No. 10-32 x 1" . . . . .	-	1	1	1	1	1	1	1	1	1	1	1	1	1	1	1	1	1	132 133
	Nut . . . . .	-	1	1	1	1	1	1	1	1	1	1	1	1	1	1	1	1	1	120 614
1-25-75	CABLE, Turn Signal Lamp Switch Fuse Container (specify 12" of 211 318 Cable, 2-200 393 Terminal, 2-930 304 Sleeve, 1-1265 775 Spring, 1-1265 772 Body, 1-1265 773 Cap, 2-1265 774 Contact and 1-147 685 Fuse) (self cancelling) . . . . .	-	*	*	*	*	*	*	*	*	*	*	*	*	*	*	*	*	*	----
<b>FOG LIGHT</b>																				
Note: Parts indicated by a single dagger (†) are for use with fog lights identified by the word "MOPAR" on the fog light shell.																				
Parts indicated by a double dagger (‡) are for use with fog lights identified by the words "MOPAR UNITY - Model H-1" on the fog light shell.																				
1-34-1	LIGHT PACKAGE . . . . .	-	1	1	1	1	1	1	1	1	1	1	1	1	1	1	1	1	1	† 986 331
		-	1	1	1	1	1	1	1	1	1	1	1	1	1	1	1	1	1	‡1440 378
1-34-3	BRACKET PACKAGE . . . . .	-	1	1	1	1	1	1	1	1	1	1	1	1	1	1	1	1	1	†1064 526
1-34-4	LIGHT, Fog . . . . .	-	2	2	2	2	2	2	2	2	2	2	2	2	2	2	2	2	2	‡1370 473
	Bolt, 7/16" -14 x 1" . . . . .	-	2	2	2	2	2	2	2	2	2	2	2	2	2	2	2	2	2	† 122 253
	Washer . . . . .	-	2	2	2	2	2	2	2	2	2	2	2	2	2	2	2	2	2	† 120 383
1-34-5	SHELL . . . . .	-	2	2	2	2	2	2	2	2	2	2	2	2	2	2	2	2	2	† 986 322
1-34-6	BOLT, Mounting . . . . .	-	2	2	2	2	2	2	2	2	2	2	2	2	2	2	2	2	2	† 986 326
	Nut . . . . .	-	2	2	2	2	2	2	2	2	2	2	2	2	2	2	2	2	2	† 120 370
	Washer, lock . . . . .	-	2	2	2	2	2	2	2	2	2	2	2	2	2	2	2	2	2	† 120 383

★ Indicates use as required.

Prices and specifications subject to change without notice.

☐ Indicates parts not listed in any previous parts books.

Series No. (1 indicates B-1 Series) (2 indicates B-2 Series) (3 indicates B-3 Series) (4 indicates B-4 Series)

Where no Series No. is shown part is for B-1, B-2, B-3 and B-4 Series.

Printed in U.S.A.

CODE	PART NAME AND DESCRIPTION	SERIES NO.	MODEL CODES																PART NO.	
			B	C	D	F	G	H & HH	FM	GM	HM & HHM	J	JM	K	KM	R	T	V		Y
FOG LIGHT - Cont'd																				
1-34-8	ARM, Bracket . . . . .	-	2	2	2	2	2	2	2	2	2	2	2	2	2	2	2	2	2	† 1440 379
	Bolt, 7/16"-14 x 1 3/4" . . . . .	-	2	2	2	2	2	2	2	2	2	2	2	2	2	2	2	2	2	† 122 293
	Washer, lock . . . . .	-	2	2	2	2	2	2	2	2	2	2	2	2	2	2	2	2	2	† 136 857
1-34-11	WASHER, Mounting Cup . . . . .	-	2	2	2	2	2	2	2	2	2	2	2	2	2	2	2	2	2	† 1436 965
	Bracket Arm Cup . . . . .	-	2	2	2	2	2	2	2	2	2	2	2	2	2	2	2	2	2	† 1440 380
1-34-12	SPACER, Bracket Arm . . . . .	-	2	2	2	2	2	2	2	2	2	2	2	2	2	2	2	2	2	† 1440 381
1-34-13	DOOR . . . . .	-	2	2	2	2	2	2	2	2	2	2	2	2	2	2	2	2	2	† 986 323
	Screw, No. 8-32 x 5/8" . . . . .	-	2	2	2	2	2	2	2	2	2	2	2	2	2	2	2	2	2	† 156 831
	Screw, No. 8-32 x 1 1/2" . . . . .	-	2	2	2	2	2	2	2	2	2	2	2	2	2	2	2	2	2	† 147 762
1-34-14	NUT, Bracket Arm Mounting Bolt . . . . .	-	2	2	2	2	2	2	2	2	2	2	2	2	2	2	2	2	2	† 1440 382
1-34-24	UNIT, Sealed Beam . . . . .	-	2	2	2	2	2	2	2	2	2	2	2	2	2	2	2	2	2	986 327
1-34-25	RING, Sealed Beam Unit Retaining . . . . .	-	2	2	2	2	2	2	2	2	2	2	2	2	2	2	2	2	2	† 986 398
1-34-26	SPRING, Sealed Beam Unit Retaining . . . . .	-	6	6	6	6	6	6	6	6	6	6	6	6	6	6	6	6	6	† 986 399
		-	6	6	6	6	6	6	6	6	6	6	6	6	6	6	6	6	6	† 1436 960
1-34-29	SWITCH . . . . .	-	1	1	1	1	1	1	1	1	1	1	1	1	1	1	1	1	1	688 080
1-34-30	CABLE, Light Socket to Connector Switch to Ammeter (specify 24" of 385 573 Cable, 2-200 393 Terminal and 2-926 026 Sleeve) . . . . .	-	1	1	1	1	1	1	1	1	1	1	1	1	1	1	1	1	1	† ----
	Switch to Connector (specify 88" of 385 573 Cable, 1-200 393 Terminal, 1-665 151 Plug and 1-926 026 Sleeve) . . . . .	-	1	1	1	1	1	1	1	1	1	1	1	1	1	1	1	1	1	† ----
	Switch to Tail Light (specify 24" of 385 573 Cable, 1-200 393 Terminal and 1-926 026 Sleeve) . . . . .	-	1	1	1	1	1	1	1	1	1	1	1	1	1	1	1	1	1	† ----
	Switch to "Y" Connector (specify 72" of 385 573 Cable) . . . . .	-	1	1	1	1	1	1	1	1	1	1	1	1	1	1	1	1	1	† ----
	Switch Feed and Tail Light (specify 15" of 385 573 Cable) . . . . .	-	1	1	1	1	1	1	1	1	1	1	1	1	1	1	1	1	1	† ----
	Terminal . . . . .	-	★	★	★	★	★	★	★	★	★	★	★	★	★	★	★	★	★	200 393
	Terminal . . . . .	-	★	★	★	★	★	★	★	★	★	★	★	★	★	★	★	★	★	200 394
1-34-33	CABLE, Ground . . . . .	-	2	2	2	2	2	2	2	2	2	2	2	2	2	2	2	2	2	† 986 325
	Screw, No. 8-32 x 1/4" . . . . .	-	2	2	2	2	2	2	2	2	2	2	2	2	2	2	2	2	2	† 122 159
	Washer, lock . . . . .	-	2	2	2	2	2	2	2	2	2	2	2	2	2	2	2	2	2	† 121 841
1-34-34	GROMMET, Bracket . . . . .	-	1	1	1	1	1	1	1	1	1	1	1	1	1	1	1	1	1	† 1233 500
	Spacer . . . . .	-	1	1	1	1	1	1	1	1	1	1	1	1	1	1	1	1	1	† 1310 472
1-34-35	FUSE, Switch . . . . .	-	1	1	1	1	1	1	1	1	1	1	1	1	1	1	1	1	1	106 653
1-34-37	GROMMET, Dash . . . . .	-	1	1	1	1	1	1	1	1	1	1	1	1	1	1	1	1	1	† 1235 595
1-34-38	CONNECTOR, "Y" . . . . .	-	1	1	1	1	1	1	1	1	1	1	1	1	1	1	1	1	1	689 867
1-34-41	SLEEVE, Cable Terminal . . . . .	-	2	2	2	2	2	2	2	2	2	2	2	2	2	2	2	2	2	1264 933
1-34-43	PLUG, Cable . . . . .	-	★	★	★	★	★	★	★	★	★	★	★	★	★	★	★	★	★	665 151
1-34-44	CLIP, Ground Cable . . . . .	-	2	2	2	2	2	2	2	2	2	2	2	2	2	2	2	2	2	† 986 337
FUEL TANK LOCKING CAP																				
1-39-2	CAP, W/KEYS . . . . .	-	1	1	1	1	1	1	1	1	1	1	1	1	1	1	1	1	1	1117 771
	CAP PACKAGE (electric type) . . . . .	-	1	1	1	1	1	1	1	1	1	1	1	1	1	1	1	1	1	† 1302 472
1-39-3	GASKET (key type) . . . . .	-	1	1	1	1	1	1	1	1	1	1	1	1	1	1	1	1	1	† 1329 268

★ Indicates use as required.

† Indicates parts not listed in any previous parts books.

Series No. (1 indicates B-1 Series) (2 indicates B-2 Series) (3 indicates B-3 Series) (4 indicates B-4 Series)

Where no Series No. is shown part is for B-1, B-2, B-3 and B-4 Series.

Prices and specifications subject to change without notice.

CODE	PART NAME AND DESCRIPTION	SERIES NO.	MODEL CODES													PART NO.			
			B	C	D	F	G	H & HH	FM	GM	HM & HHM	J	JM	K	KM		R	T	V
<b>FUEL TANK LOCKING CAP - Cont'd</b>																			
1-39-3	GASKET (electric type) . . . . .	-	1	1	1	1	1	1	1	1	1	1	1	1	1	1	1	1	1343 331
1-39-4	KEY (cut) (H series) . . . . .	-	1	1	1	1	1	1	1	1	1	1	1	1	1	1	1	1	906 823
	(cut) (U series) . . . . .	-	1	1	1	1	1	1	1	1	1	1	1	1	1	1	1	1	312 773
1-39-5	KEY (blank) (H series) . . . . .	-	★	★	★	★	★	★	★	★	★	★	★	★	★	★	★	★	910 999
	(blank) (U series) . . . . .	-	★	★	★	★	★	★	★	★	★	★	★	★	★	★	★	★	649 123
<b>BRAKE HOLDER</b>																			
1-43-1	HOLDER PACKAGE . . . . .	-	1	1	1	1	1	1	1	1	1	1	1	1	1	1	1	1	1266 969
1-43-3	SWITCH, Control . . . . .	-	1	1	1	1	1	1	1	1	1	1	1	1	1	1	1	1	1264 040
1-43-4	CONTROL, Assembly . . . . .	-	1	1	1	1	1	1	1	1	1	1	1	1	1	1	1	1	1263 996
1-43-5	PLATE, Control Switch Name . . . . .	-	1	1	1	1	1	1	1	1	1	1	1	1	1	1	1	1	1264 041
1-43-9	GASKET, Control Outlet Plug . . . . .	-	1	1	1	1	1	1	1	1	1	1	1	1	1	1	1	1	1264 028
1-43-10	GASKET, Control Inlet Plug . . . . .	-	1	1	1	1	1	1	1	1	1	1	1	1	1	1	1	1	1264 029
1-43-11	CONNECTOR, Tube (1/4") . . . . .	-	2	2	2	2	2	2	2	2	2	2	2	2	2	2	2	2	1267 373
	(5/16") . . . . .	-	2	2	2	2	2	2	2	2	2	2	2	2	2	2	2	2	1267 376
1-43-12	NUT, Tube Connector (1/4") . . . . .	-	2	2	2	2	2	2	2	2	2	2	2	2	2	2	2	2	1267 374
	(5/16") . . . . .	-	2	2	2	2	2	2	2	2	2	2	2	2	2	2	2	2	1267 375
1-43-13	FUSE, Switch (14 amp.) . . . . .	-	1	1	1	1	1	1	1	1	1	1	1	1	1	1	1	1	147 685
1-43-15	SWITCH, Solenoid . . . . .	-	1	1	1	1	1	1	1	1	1	1	1	1	1	1	1	1	862 556
1-43-17	STEM, Control Valve Seat . . . . .	-	1	1	1	1	1	1	1	1	1	1	1	1	1	1	1	1	1268 148
1-43-21	CABLE, Control Switch to Control Feed (specify 160" of 211318 Cable and 2-665151 Plug) . . . . .	-	1	1	1	1	1	1	1	1	1	1	1	1	1	1	1	1	----
1-43-23	CABLE, Fuse Container (specify 24" of 211318 Cable, 1-665151 Plug, 1-200393 Terminal and 1-926026 Sleeve) . . . . .	-	1	1	1	1	1	1	1	1	1	1	1	1	1	1	1	1	----
<b>HEATER</b>																			
1-48-1	HEATER PACKAGE (Model 65) . . . . .	-	1	1	1	1	1	1	1	1	1	1	1	1	1	1	1	1	1500 436
	(Model 504) (except Dual carburetor and 2 Speed Axle) . . . . .	-	1	1	1	1	1	-	-	-	1	-	1	-	-	-	-	-	1394 960
1-48-2	VALVE PACKAGE, Heater Water (for use with fresh air intake system) . . . . .	-	1	1	1	1	1	1	1	1	1	1	1	1	1	1	1	1	1326 186
1-48-45	HOUSING, Blower (Model 504) . . . . .	-	1	1	1	1	1	-	-	-	1	-	1	-	-	-	-	-	1500 348
1-48-46	WHEEL, Blower (Model 504) . . . . .	-	1	1	1	1	1	-	-	-	1	-	1	-	-	-	-	-	1235 644
1-48-52	COVER, Blower Wheel Hole (Model 504) . . . . .	-	1	1	1	1	1	-	-	-	1	-	1	-	-	-	-	-	1253 110
1-48-57	DAMPER, Air Control, w/SEAL (Model 504) . . . . .	-	1	1	1	1	1	-	-	-	1	-	1	-	-	-	-	-	1383 989
1-48-59	SHAFT, Air Control Damper (Model 504) . . . . .	-	1	1	1	1	1	-	-	-	1	-	1	-	-	-	-	-	1383 983
1-48-70	PANEL, Controls Mounting (Models 61 and 62) . . . . .	-	1	1	1	1	1	1	1	1	1	1	1	1	1	1	1	1	1195 713
	Nut . . . . .	-	2	2	2	2	2	2	2	2	2	2	2	2	2	2	2	2	120 367
	Washer, lock . . . . .	-	2	2	2	2	2	2	2	2	2	2	2	2	2	2	2	2	120 380
1-48-71	BRACKET, Control Panel Mounting (Models 61, 62 and 65) . . . . .	-	1	1	1	1	1	1	1	1	1	1	1	1	1	1	1	1	1262 297
	Bolt or Screw, 1/4"-28 x 3/4" . . . . .	-	2	2	2	2	2	2	2	2	2	2	2	2	2	2	2	2	188 077
	Nut . . . . .	-	2	2	2	2	2	2	2	2	2	2	2	2	2	2	2	2	120 367
	Washer, lock . . . . .	-	2	2	2	2	2	2	2	2	2	2	2	2	2	2	2	2	120 380
1-48-73	PLUG, Control Mounting Panel (Models 61, 62 and 65) . . . . .	-	2	2	2	2	2	2	2	2	2	2	2	2	2	2	2	2	869 774
1-48-88	CORE (Model 61) . . . . .	-	1	1	1	1	1	1	1	1	1	1	1	1	1	1	1	1	1261 463
	(Model 62 and 65) . . . . .	-	1	1	1	1	1	1	1	1	1	1	1	1	1	1	1	1	1269 109
	(Model 70) . . . . .	-	1	1	1	1	1	-	-	-	1	-	1	-	1	1	1	1	1343 137

★ Indicates use as required.

Prices and specifications subject to change without notice.

⊠ Indicates parts not listed in any previous parts books.

Series No. (1 indicates B-1 Series) (2 indicates B-2 Series) (3 indicates B-3 Series) (4 indicates B-4 Series)

Where no Series No. is shown part is for B-1, B-2, B-3 and B-4 Series.

April 6, 1953 Supersedes Dec. 31, 1952.

Printed in U.S.A.

\* Indicates change or addition.

CODE	PART NAME AND DESCRIPTION	SERIES NO.	MODEL CODES																PART NO.
			B	C	D	F	G	H & HH	FM	GM	HM & HHM	J	JM	K	KM	R	T	V	
HEATER - Cont'd																			
1-48-89	GASKET, Core Tube (Model 70) . .	-	1	1	1	1	1	1	-	-	-	1	-	1	-	1	1	1	1343 298
1-48-90	SEAL, Core (8 1/16" x 3 1/16")	-	2	2	2	2	2	2	-	-	-	2	-	2	-	-	-	-	⊠1383 976
	(Model 504) . . . . .	-	2	2	2	2	2	2	-	-	-	2	-	2	-	-	-	-	⊠1384 003
	Side (7" x 2 13/16") (Model 504).	-	2	2	2	2	2	2	-	-	-	2	-	2	-	-	-	-	⊠1384 002
	Tank (6 7/8" x 1 7/8")(Model 504).	-	2	2	2	2	2	2	-	-	-	2	-	2	-	-	-	-	
1-48-104	CLAMP, Air Control Cable	-	1	1	1	1	1	1	-	-	-	1	-	1	-	-	-	-	*1308 130
	(Model 504) . . . . .	-	1	1	1	1	1	1	-	-	-	1	-	1	-	-	-	-	* 132 115
	Bolt or Screw, No.10-32 x 1/2".	-	1	1	1	1	1	1	-	-	-	1	-	1	-	-	-	-	* 120 614
	Nut . . . . .	-	1	1	1	1	1	1	-	-	-	1	-	1	-	-	-	-	* 120 214
	Washer, lock . . . . .	-	1	1	1	1	1	1	-	-	-	1	-	1	-	-	-	-	
1-48-127	NUT, Housing to Frame Attaching	-	8	8	8	8	8	8	-	-	-	8	-	8	-	-	-	-	⊠1440 398
	(Model 504) . . . . .	-	8	8	8	8	8	8	-	-	-	8	-	8	-	-	-	-	
1-48-137	DEFROSTER PACKAGE,	-	1	1	1	1	1	1	1	1	1	1	1	1	1	1	1	1	1268 175
	Windshield . . . . .	-	1	1	1	1	1	1	1	1	1	1	1	1	1	1	1	1	⊠1500 979
	(Model 65) . . . . .	-	1	1	1	1	1	1	1	1	1	1	1	1	1	1	1	1	⊠1500 981
	w/CONTROLS (Model 65) . . . . .	-	1	1	1	-	1	1	-	-	1	1	1	1	1	1	1	1	
1-48-141	OUTLET, Windshield Defroster	-	1	1	1	1	1	1	1	1	1	1	1	1	1	1	1	1	1268 172
	(Model 62) . . . . .	-	1	1	1	1	1	1	1	1	1	1	1	1	1	1	1	1	1195 701
	(Model 61) . . . . .	-	1	1	1	1	1	1	1	1	1	1	1	1	1	1	1	1	⊠1500 978
	(Model 65) . . . . .	-	1	1	1	1	1	1	1	1	1	1	1	1	1	1	1	1	1268 214
	(Model 70) . . . . .	-	1	1	1	1	1	1	-	-	-	1	-	1	-	1	1	1	1195 717
1-48-144	NOZZLE, Windshield Defroster . .	-	2	2	2	2	2	2	2	2	2	2	2	2	2	2	2	2	162 900
	Screw, No. 10-16 x 3/8" . . . . .	-	4	4	4	4	4	4	4	4	4	4	4	4	4	4	4	4	
1-48-157	PIN, Windshield Defroster Outlet	-	1	1	1	1	1	1	-	-	-	1	-	1	-	-	-	-	⊠1500 346
	Hinge (Model 504) . . . . .	-	1	1	1	1	1	1	-	-	-	1	-	1	-	-	-	-	
1-48-175	DEFROSTER CONTROL,	-	1	1	1	1	1	1	1	1	1	1	1	1	1	1	1	1	1261 045
	Windshield (Models 61, 62, 65	-	1	1	1	1	1	1	1	1	1	1	1	1	1	1	1	1	
	and 504) . . . . .	-	1	1	1	1	1	1	1	1	1	1	1	1	1	1	1	1	
1-48-186	STEM and WIRE, Windshield	-	1	1	1	1	1	1	1	1	1	1	1	1	1	1	1	1	1264 984
	Defroster (Models 61 and 62). . . .	-	1	1	1	1	1	1	1	1	1	1	1	1	1	1	1	1	
1-48-191	KNOB, Windshield Defroster	-	1	1	1	1	1	1	1	1	1	1	1	1	1	1	1	1	1191 539
	Control (Models 61, 62, 65 and	-	1	1	1	1	1	1	1	1	1	1	1	1	1	1	1	1	
	504) . . . . .	-	1	1	1	1	1	1	1	1	1	1	1	1	1	1	1	1	
1-48-203	NUT, Windshield Defroster	-	1	1	1	1	1	1	1	1	1	1	1	1	1	1	1	1	1189 496
	Control Mounting (Models 61, 62,	-	1	1	1	1	1	1	1	1	1	1	1	1	1	1	1	1	
	65 and 504) . . . . .	-	1	1	1	1	1	1	1	1	1	1	1	1	1	1	1	1	
1-48-204	WASHER, Windshield Defroster	-	1	1	1	1	1	1	1	1	1	1	1	1	1	1	1	1	1194 598
	Control Mounting Nut (Models 61,	-	1	1	1	1	1	1	1	1	1	1	1	1	1	1	1	1	
	62, 65 and 504) . . . . .	-	1	1	1	1	1	1	1	1	1	1	1	1	1	1	1	1	
1-48-209	SCREW, Windshield Defroster	-	1	1	1	1	1	1	1	1	1	1	1	1	1	1	1	1	988 098
	Outlet Control Swivel Pin	-	1	1	1	1	1	1	1	1	1	1	1	1	1	1	1	1	
	(Model 61) . . . . .	-	1	1	1	1	1	1	1	1	1	1	1	1	1	1	1	1	
1-48-211	WASHER, Windshield Defroster	-	1	1	1	1	1	1	1	1	1	1	1	1	1	1	1	1	866 740
	Outlet Control Swivel Pin	-	1	1	1	1	1	1	1	1	1	1	1	1	1	1	1	1	
	(Model 61) . . . . .	-	1	1	1	1	1	1	1	1	1	1	1	1	1	1	1	1	
1-48-287	HOSE, Windshield Defroster	-	1	1	1	1	1	1	1	1	1	1	1	1	1	1	1	1	1195 722
	(Models 61 and 70) . . . . .	-	1	1	1	1	1	1	1	1	1	1	1	1	1	1	1	1	
	(Model 62) . . . . .	-	1	1	1	1	1	1	1	1	1	1	1	1	1	1	1	1	1269 270
	(Model 65 and 504) . . . . .	-	1	1	1	1	1	1	-	-	-	1	-	1	-	-	-	-	1268 201
	(Model 65 and 504) . . . . .	-	1	1	1	1	1	1	-	-	-	1	-	1	-	-	-	-	1195 722
1-48-316	VALVE, Defroster Shut-Off	-	1	1	1	1	1	1	-	-	-	1	-	1	-	-	-	-	⊠1343 300
	(Model 70) . . . . .	-	1	1	1	1	1	1	-	-	-	1	-	1	-	-	-	-	
1-48-330	STRAP, Fresh Air Intake	-	1	1	1	1	1	1	-	-	-	1	-	1	-	-	-	-	⊠1370 485
	Tube (Model 504) . . . . .	-	1	1	1	1	1	1	-	-	-	1	-	1	-	-	-	-	
1-48-352	BLOWER, w/FAN (Models 61, 62	-	1	1	1	1	1	1	1	1	1	1	1	1	1	1	1	1	1237 198
	and 65) . . . . .	-	1	1	1	1	1	1	1	1	1	1	1	1	1	1	1	1	
	FAN (Model 70) . . . . .	-	1	1	1	1	1	1	-	-	-	1	-	1	-	-	-	-	⊠1343 133

★Indicates use as required.

Prices and specifications subject to change without notice.

⊠Indicates parts not listed in any previous parts books.

Series No. (1 indicates B-1 Series) (2 indicates B-2 Series) (3 indicates B-3 Series) (4 indicates B-4 Series)

Where no Series No. is shown part is for B-1, B-2, B-3 and B-4 Series.

\* Indicates change or addition.



CODE	PART NAME AND DESCRIPTION	SERIES NO.	MODEL CODES														PART NO.			
			B	C	D	F	G	H & HH	FM	GM	HM & HHM	J	JM	K	KM	R		T	V	Y
HEATER - Cont'd																				
1-48-390	CLIP, Decorative Band (Models 61, 62 and 65) . . . . .	-	2	2	2	2	2	2	2	2	2	2	2	2	2	2	2	2	2	981 515
	Screw, No. 8-15 x 3/4" . . . . .	-	2	2	2	2	2	2	2	2	2	2	2	2	2	2	2	2	2	125 592
1-48-423	GROMMET, Core Tube to Dash (Models 61, 62 and 504) . . . . .	-	2	2	2	2	2	2	2	2	2	2	2	2	2	2	2	2	2	976 056
1-48-434	SHIELD, Heat Deflector (Model 61) . . . . .	-	1	1	1	1	1	1	1	1	1	1	1	1	1	1	1	1	1	1266 556
1-48-442	TUBE, Heater Fresh Air Intake (Model 504) . . . . .	-	1	1	1	1	1	1	-	-	-	1	-	1	-	-	-	-	-	ⓔ1394 956
	Screw, No. 10-32 x 7/8" . . . . .	-	2	2	2	2	2	2	-	-	-	2	-	2	-	-	-	-	-	169 517
	Nut . . . . .	-	2	2	2	2	2	2	-	-	-	2	-	2	-	-	-	-	-	120 367
	Washer, lock . . . . .	-	2	2	2	2	2	2	-	-	-	2	-	2	-	-	-	-	-	120 214
1-48-444	COLLAR, Heater Fresh Air Intake (Model 504) . . . . .	-	1	1	1	1	1	1	-	-	-	1	-	1	-	-	-	-	-	ⓔ1394 957
1-48-509	CABLE, Heater Switch (specify 28" of 211 318 Cable, 1-200 393 Terminal, 1-665 151 Plug and 1-926 026 Sleeve) . . . . .	-	1	1	1	1	1	1	1	1	1	1	1	1	1	1	1	1	1	----
	Heater Switch to Ignition Switch (specify 28" of 385 573 Cable, 2-200 393 Terminal and 2-926 026 Sleeve) . . . . .	-	1	1	1	1	1	1	1	1	1	1	1	1	1	1	1	1	1	----
1-48-511	CONNECTOR, Switch Cable . . . . .	-	★	★	★	★	★	★	★	★	★	★	★	★	★	★	★	★	★	611 898
1-48-512	SLEEVE, Switch Terminal . . . . .	-	★	★	★	★	★	★	★	★	★	★	★	★	★	★	★	★	★	1264 933
1-48-513	PLUG, Switch Cable . . . . .	-	1	1	1	1	1	1	1	1	1	1	1	1	1	1	1	1	1	665 151
1-48-526	PAD, Heater to Dash Mounting (Model 504) . . . . .	-	1	1	1	1	1	1	-	-	-	1	-	1	-	-	-	-	-	1394 959
1-48-527	GASKET, Heater to Dash Mounting (Model 504) . . . . .	-	1	1	1	1	1	1	-	-	-	1	-	1	-	-	-	-	-	1394 958
1-48-528	SPACER, Heater to Dash Mounting (Model 70) . . . . .	-	1	1	1	1	1	1	-	-	-	1	-	1	-	1	1	1	1	1268 215
1-48-529	BRACKET, Heater to Dash Mounting Lower (Model 70) . . . . .	-	1	1	1	1	1	1	-	-	-	1	-	1	-	1	1	1	1	1268 216
	Bolt, 1/4" -20 x 3/4" . . . . .	-	1	1	1	1	1	1	-	-	-	1	-	1	-	1	1	1	1	121 887
	Bolt, 1/4" -20 x 1 1/4" . . . . .	-	1	1	1	1	1	1	-	-	-	1	-	1	-	1	1	1	1	121 913
	Nut . . . . .	-	1	1	1	1	1	1	-	-	-	1	-	1	-	1	1	1	1	120 375
	Washer, lock . . . . .	-	1	1	1	1	1	1	-	-	-	1	-	1	-	1	1	1	1	120 380
1-48-530	PLATE, Heater to Dash Mounting (Model 504) . . . . .	-	2	2	2	2	2	2	-	-	-	2	-	2	-	-	-	-	-	ⓔ1440 087
1-48-531	STUD, Heater to Dash Mounting Plate (Model 504) . . . . .	-	4	4	4	4	4	4	-	-	-	4	-	4	-	-	-	-	-	1384 015
1-48-555	HOSE (specify by the foot) . . . . .	-	★	★	★	★	★	★	★	★	★	★	★	★	★	★	★	★	★	1315 466
1-48-559	CLAMP, Heater and Defroster Hose . . . . .	-	★	★	★	★	★	★	★	★	★	★	★	★	★	★	★	★	★	870 469
1-48-575	ELBOW, Heater Hose, w/SADDLE . . . . .	-	1	1	1	1	1	1	1	1	1	1	1	1	1	1	1	1	1	1262 994
1-48-599	MOTOR (Models 61 and 62) . . . . .	-	1	1	1	1	1	1	1	1	1	1	1	1	1	1	1	1	1	1261 462
	(Model 65) . . . . .	-	1	1	1	1	1	1	1	1	1	1	1	1	1	1	1	1	1	ⓔ1500 427
	(Model 70) . . . . .	-	1	1	1	1	1	1	-	-	-	1	-	1	-	1	1	1	1	ⓔ1473 070
	(Model 504) . . . . .	-	1	1	1	1	1	1	-	-	-	1	-	1	-	-	-	-	-	1297 634
	Grommet . . . . .	-	2	2	2	2	2	2	2	2	2	2	2	2	2	2	2	2	2	117 957
	Nut . . . . .	-	2	2	2	2	2	2	2	2	2	2	2	2	2	2	2	2	2	120 622
	Washer, lock . . . . .	-	2	2	2	2	2	2	2	2	2	2	2	2	2	2	2	2	2	121 841
	Washer, plain . . . . .	-	4	4	4	4	4	4	4	4	4	4	4	4	4	4	4	4	4	120 391
1-48-608	GASKET, Motor Mounting (Models 61, 62 and 65) . . . . .	-	2	2	2	2	2	2	2	2	2	2	2	2	2	2	2	2	2	981 514
1-48-614	WASHER, Blower Motor Mounting (Model 504) . . . . .	-	6	6	6	6	6	6	-	-	-	6	-	6	-	-	-	-	-	872 177
	Screw, No. 10-24 x 3/4" . . . . .	-	3	3	3	3	3	3	-	-	-	3	-	3	-	-	-	-	-	120 910
	Washer, lock . . . . .	-	3	3	3	3	3	3	-	-	-	3	-	3	-	-	-	-	-	120 217

★ Indicates use as required. Prices and specifications subject to change without notice.  
 ⓔ Indicates parts not listed in any previous parts books.  
 Series No. (1 indicates B-1 Series) (2, indicates B-2 Series) (3 indicates B-3 Series) (4 indicates B-4 Series)  
 Where no Series No. is shown part is for B-1, B-2, B-3 and B-4 Series.  
 April 6, 1953 Supersedes Dec. 31, 1952. Printed in U.S.A.  
 \* Indicates change or addition.

CODE	PART NAME AND DESCRIPTION	SERIES NO.	MODEL CODES													PART NO.				
			B	C	D	F	G	H & HH	FM	GM	HM & HHM	J	JM	K	KM		R	T	V	Y
HEATER - Cont'd																				
1-48-615	BRUSH SET, Motor (use with motor identified with marking "DELCO") (Models 61 and 62) . . .	-	1	1	1	1	1	1	1	1	1	1	1	1	1	1	1	1	1	1237 243
	(use with motor identified with marking other than Delco) (Models 61 and 62) . . . . .	-	1	1	1	1	1	1	1	1	1	1	1	1	1	1	1	1	1	953 197
	(Model 70) . . . . .	-	1	1	1	1	1	1	-	-	-	1	-	1	-	1	1	1	1	1343 462
	(use with motor identified with marking "DELCO") (Model 504) . . . . .	-	1	1	1	1	1	1	-	-	-	1	-	1	-	-	-	-	-	1300 662
	(use with motor identified with marking "REDMOND") (Model 504) . . . . .	-	1	1	1	1	1	1	-	-	-	1	-	1	-	-	-	-	-	1440 453
	(use with motor identified with marking "GENERAL INDUSTRIES") (Models 504 and 65) . . . . .	-	1	1	1	1	1	1	-	-	-	1	-	1	-	-	-	-	-	1297 877
	(use with motor identified with marking "REDMOND") (Model 65) . . . . .	-	1	1	1	1	1	1	1	1	1	1	1	1	1	1	1	1	1	1297 879
1-48-618	HOLDER, Motor Brush (use with motor identified with marking "REDMOND") (Model 65) . . . . .	-	1	1	1	1	1	1	1	1	1	1	1	1	1	1	1	1	1	E1495 161
	(use with motor identified with marking "GENERAL INDUSTRIES") (Model 65) . . . . .	-	1	1	1	1	1	1	1	1	1	1	1	1	1	1	1	1	1	E1495 160
1-48-620	SPRING, Motor Brush (use with motor identified with marking "DELCO") (Models 61 and 62) . .	-	2	2	2	2	2	2	2	2	2	2	2	2	2	2	2	2	2	1237 244
	(use with motor identified with marking other than Delco) (Model 61 and 62) . . . . .	-	2	2	2	2	2	2	2	2	2	2	2	2	2	2	2	2	2	953 218
	(Model 70) . . . . .	-	2	2	2	2	2	2	-	-	-	2	-	2	-	2	2	2	2	953 218
	(use with motor identified with marking "DELCO") (Model 504) . . . . .	-	1	1	1	1	1	1	-	-	-	1	-	1	-	-	-	-	-	1237 244
	(use with motor identified with marking "REDMOND") (Model 504 and 65) . . . . .	-	1	1	1	1	1	1	-	-	-	1	-	1	-	-	-	-	-	E1383 839
	(use with motor identified with marking "GENERAL INDUSTRIES") (Models 504 and 65) . . . . .	-	1	1	1	1	1	1	-	-	-	1	-	1	-	-	-	-	-	E1300 660
1-48-770	SWITCH (Models 61, 62, 504 and 65) . . . . .	-	1	1	1	1	1	1	1	1	1	1	1	1	1	1	1	1	1	1189 651
	Screw, No. 8-32 x 1/4" . . . . .	-	2	2	2	2	2	2	2	2	2	2	2	2	2	2	2	2	2	122 159
	w/KNOB (Model 70) . . . . .	-	1	1	1	1	1	1	-	-	-	1	-	1	-	1	1	1	1	E1343 131
	Bolt or Screw, No. 10-32 x 1/2" Nut . . . . .	-	2	2	2	2	2	2	-	-	-	2	-	2	-	2	2	2	2	132 908
	Washer, lock . . . . .	-	2	2	2	2	2	2	-	-	-	2	-	2	-	2	2	2	2	120 361
1-48-775	WASHER, Switch Terminal Screw Lock (Models 61 and 62) . . . . .	-	2	2	2	2	2	2	2	2	2	2	2	2	2	2	2	2	2	300 934
1-48-779	Nut, Switch Mounting (Models 61, 62, 65 and 504) . . . . .	-	1	1	1	1	1	1	1	1	1	1	1	1	1	1	1	1	1	1189 496
1-48-783	WASHER, Switch Mounting Nut (Models 61, 65, 62 and 504) . . . . .	-	1	1	1	1	1	1	1	1	1	1	1	1	1	1	1	1	1	1194 598
1-48-801	KNOB, Switch (Models 61, 62, 504 and 65) . . . . .	-	1	1	1	1	1	1	1	1	1	1	1	1	1	1	1	1	1	1191 535
	(Model 70) . . . . .	-	1	1	1	1	1	1	-	-	-	1	-	1	-	1	1	1	1	E1343 501

★ Indicates use as required.

Prices and specifications subject to change without notice.

E Indicates parts not listed in any previous parts books.

Series No. (1 indicates B-1 Series) (2 indicates B-2 Series) (3 indicates B-3 Series) (4 indicates B-4 Series)

Where no Series No. is shown part is for B-1, B-2, B-3 and B-4 Series.

\* Indicates change or addition.

CODE	PART NAME AND DESCRIPTION	SERIES NO.	MODEL CODES													PART NO.			
			B	C	D	F	G	H & HH	FM	GM	HM & HHM	J	JM	K	KM		R	T	V
HEATER - Cont'd																			
1-48-804	KNOB, Defroster, w/ARM (Model 70)	-	1	1	1	1	1	1	-	-	-	1	-	1	-	1	1	1	Ⓜ1343 135
1-48-832	RESISTOR, Switch (Model 61, 62, 65 and 504)	-	2	2	2	2	2	2	2	2	2	2	2	2	2	2	2	2	860 185
	Screw, No. 8-32 x 1/4"	-	4	4	4	4	4	4	4	4	4	4	4	4	4	4	4	4	122 159
1-48-854	VALVE, Water (for use with fresh air intake system and Model 65 heater)	-	1	1	1	1	1	1	1	1	1	1	1	1	1	1	1	1	Ⓜ1345 788
	VALVE, Water Shut-Off (for use without fresh air system)	-	1	1	1	1	1	1	1	1	1	1	1	1	1	1	1	1	670 647
1-48-935	TEMPERATURE CONTROL (Models 61, 62 and 65)	-	1	1	1	1	1	1	1	1	1	1	1	1	1	1	1	1	1261 045
1-48-936	KNOB, Temperature Control	-	1	1	1	1	1	1	1	1	1	1	1	1	1	1	1	1	1195 675
1-48-937	NUT, Temperature Control Mounting (Models 61 and 62)	-	1	1	1	1	1	1	1	1	1	1	1	1	1	1	1	1	1189 496
1-48-938	WASHER, Temperature Control Mounting Nut (Models 61 and 62)	-	1	1	1	1	1	1	1	1	1	1	1	1	1	1	1	1	1244 796
1-48-948	GROMMET, Temperature Control Dash (Models 61 and 62)	-	1	1	1	1	1	1	1	1	1	1	1	1	1	1	1	1	988 059
1-48-950	CLAMP, Temperature and Air Control Cable (Model 504)	-	1	1	1	1	1	1	-	-	-	1	-	1	-	-	-	-	Ⓜ1308 130
1-48-958	CLIP, Temperature Control Mounting (Model 62)	-	1	1	1	1	1	1	1	1	1	1	1	1	1	1	1	1	684 158
FRESH AIR INTAKE																			
1-53-1	FRESH AIR INTAKE PACKAGE (for use with Models 61, 62 and 65 heaters)	-	1	1	1	1	1	1	1	1	1	1	1	1	1	1	1	1	1195 725
1-53-3	FRESH AIR INTAKE AUXILIARY PACKAGE	-	-	-	-	-	-	1	1	1	-	1	-	1	-	-	-	-	1264 983
1-53-5	SHROUD, Fresh Air	-	1	1	1	1	1	1	1	1	1	1	1	1	1	1	1	1	1268 213
	Screw, No. 10-16 x 3/8"	-	4	4	4	4	4	4	4	4	4	4	4	4	4	4	4	4	162 900
1-53-7	INTAKE, Fresh Air	-	1	1	1	1	1	1	1	1	1	1	1	1	1	1	1	1	1195 711
	Nut	-	2	2	2	2	2	2	2	2	2	2	2	2	2	2	2	2	120 376
	Washer, lock	-	2	2	2	2	2	2	2	2	2	2	2	2	2	2	2	2	120 214
1-53-10	HOSE, Fresh Air Intake	-	★	★	★	★	★	★	★	★	★	★	★	★	★	★	★	★	1195 720
1-53-11	SUPPORT, Fresh Air Intake Hose	-	1	1	1	1	1	1	1	1	1	1	1	1	1	1	1	1	1261 055
	Bolt or Screw, 1/4"-20 x 5/8"	-	1	1	1	1	1	1	1	1	1	1	1	1	1	1	1	1	120 583
	Nut	-	1	1	1	1	1	1	1	1	1	1	1	1	1	1	1	1	120 375
	Washer, lock	-	1	1	1	1	1	1	1	1	1	1	1	1	1	1	1	1	120 380
1-53-15	BRACKET, Fresh Air Intake Mounting	-	-	-	-	-	-	1	1	1	-	1	-	1	-	-	-	-	1264 981
	Bolt, 5/16"-18 x 3/4"	-	-	-	-	-	-	2	2	2	-	2	-	2	-	-	-	-	122 007
	Nut	-	-	-	-	-	-	2	2	2	-	2	-	2	-	-	-	-	120 376
	Washer, lock	-	-	-	-	-	-	2	2	2	-	2	-	2	-	-	-	-	120 214
1-53-18	VALVE, Fresh Air Shut-Off	-	1	1	1	1	1	1	1	1	1	1	1	1	1	1	1	1	1195 681
	Screw, No. 10-16 x 3/8"	-	4	4	4	4	4	4	4	4	4	4	4	4	4	4	4	4	162 900
1-53-19	GASKET, Fresh Air Shut-Off Valve	-	1	1	1	1	1	1	1	1	1	1	1	1	1	1	1	1	1195 702
1-53-21	WASHER, Fresh Air Control Mounting Nut	-	1	1	1	1	1	1	1	1	1	1	1	1	1	1	1	1	1244 796
1-53-22	NUT, Fresh Air Control Mounting	-	1	1	1	1	1	1	1	1	1	1	1	1	1	1	1	1	1189 496
1-53-23	Control, Fresh Air	-	1	1	1	1	1	1	1	1	1	1	1	1	1	1	1	1	1261 045
1-53-29	KNOB, Fresh Air Control Mounting	-	1	1	1	1	1	1	1	1	1	1	1	1	1	1	1	1	1195 674
1-53-31	GROMMET, Fresh Air Control Dash	-	1	1	1	1	1	1	1	1	1	1	1	1	1	1	1	1	988 059

★Indicates use as required.

ⓂIndicates parts not listed in any previous parts books.

Series No. (1 indicates B-1 Series) (2 indicates B-2 Series) (3 indicates B-3 Series) (4 indicates B-4 Series)

Where no Series No. is shown part is for B-1, B-2, B-3 and B-4 Series.

April 6, 1953 Supersedes Dec. 31, 1952.

Prices and specifications subject to change without notice.

Printed in U.S.A.

CODE	PART NAME AND DESCRIPTION	SERIES NO.	MODEL CODES														PART NO.		
			B	C	D	F	G	H & HH	FM	GM	HM & HHM	J	JM	K	KM	R		T	V
<b>FRESH AIR INTAKE - Cont'd</b>																			
1-53-34	COVER, Fresh Air Intake Hose (Model 62 heater) . . . . .	2	-	-	-	-	-	-	-	-	-	-	-	-	-	-	-	1	1270 591
	COVER, Fresh Air Intake Hose (Model 62) . . . . .	3-4	-	-	-	-	-	-	-	-	-	-	-	-	-	-	-	1	1274 131
	Bolt, 1/4"-28 x 1/2" . . . . .	-	-	-	-	-	-	-	-	-	-	-	-	-	-	-	-	4	123 316
	Nut . . . . .	-	-	-	-	-	-	-	-	-	-	-	-	-	-	-	-	4	120 375
	Washer, lock . . . . .	-	-	-	-	-	-	-	-	-	-	-	-	-	-	-	-	4	120 380
1-53-46	PIN, Fresh Air Intake Control Swivel . . . . .	-	1	1	1	1	1	1	1	1	1	1	1	1	1	1	1	1	1262 951
1-53-47	WASHER, Fresh Air Intake Control Swivel Pin. . . . .	-	1	1	1	1	1	1	1	1	1	1	1	1	1	1	1	1	866 740
1-53-65	SEAL, Fresh Air Shroud. . . . .	-	1	1	1	1	1	1	1	1	1	1	1	1	1	1	1	1	1261 048
<b>REAR VIEW MIRROR</b>																			
1-76-6	ARM PACKAGE (13 3/16" closed, 20 3/16" extended) (Cabs only) . .	-	1	1	1	1	1	1	1	1	1	1	1	1	1	1	1	1	1199 008
<b>WINDSHIELD WASHER</b>																			
1-82-2	WASHER PACKAGE (1 nozzle) . . . . .	-	1	1	1	1	1	1	1	1	1	1	1	1	1	1	1	1	*1253 488
	(2 nozzles) . . . . .	3, 4	1	1	1	1	1	1	1	1	1	1	1	1	1	1	1	1	1523 138
1-82-3	SOLVENT PACKAGE ( 6 ounce bottle) . . . . .	-	1	1	1	1	1	1	1	1	1	1	1	1	1	1	1	1	1237 316
1-82-4	JAR . . . . .	-	1	1	1	1	1	1	1	1	1	1	1	1	1	1	1	1	1241 058
1-82-7	NOZZLE PACKAGE . . . . .	-	1	1	1	1	1	1	1	1	1	1	1	1	1	1	1	1	1345 616
1-82-20	SPRING, Foot Control Pump Compression . . . . .	-	1	1	1	1	1	1	1	1	1	1	1	1	1	1	1	1	1241 066
1-82-21	BRACKET, Jar Mounting . . . . .	-	1	1	1	1	1	1	1	1	1	1	1	1	1	1	1	1	1241 059
	Screw, No. 10-16 x 1/2" . . . . .	-	3	3	3	3	3	3	3	3	3	3	3	3	3	3	3	3	143 152
1-82-22	COVER, Jar . . . . .	-	1	1	1	1	1	1	1	1	1	1	1	1	1	1	1	1	1241 060
1-82-23	KNOB, Foot Control . . . . .	-	1	1	1	1	1	1	1	1	1	1	1	1	1	1	1	1	1241 063
1-82-24	NUT, Foot Control Pump Mounting . . . . .	-	1	1	1	1	1	1	1	1	1	1	1	1	1	1	1	1	1241 067
1-82-25	PUMP, Foot Control . . . . .	-	1	1	1	1	1	1	1	1	1	1	1	1	1	1	1	1	1253 491
	Nut, spacer . . . . .	-	1	1	1	1	1	1	1	1	1	1	1	1	1	1	1	1	120 370
	Washer, plain . . . . .	-	1	1	1	1	1	1	1	1	1	1	1	1	1	1	1	1	120 395
1-82-26	TUBE, Nozzle . . . . .	-	1	1	1	1	1	1	1	1	1	1	1	1	1	1	1	1	1257 669
1-82-27	NUT, Nozzle Mounting . . . . .	-	1	1	1	1	1	1	1	1	1	1	1	1	1	1	1	1	1241 072
	Nozzle Tube Mounting (lower) . . . . .	-	1	1	1	1	1	1	1	1	1	1	1	1	1	1	1	1	1257 673
1-82-28	GROMMET, Nozzle Tube Hose . . . . .	-	1	1	1	1	1	1	1	1	1	1	1	1	1	1	1	1	1261 398
1-82-30	STRAINER . . . . .	-	1	1	1	1	1	1	1	1	1	1	1	1	1	1	1	1	1244 670
1-82-31	WASHER, Nozzle Tube . . . . .	-	2	2	2	2	2	2	2	2	2	2	2	2	2	2	2	2	1241 071
1-82-32	HOSE, Check Valve to Pump. . . . .	-	1	1	1	1	1	1	1	1	1	1	1	1	1	1	1	1	1253 485
1-82-33	HOSE, Check Valve to Jar . . . . .	-	1	1	1	1	1	1	1	1	1	1	1	1	1	1	1	1	1253 486
1-82-34	HOSE, Check Valve to Nozzle . . . . .	-	1	1	1	1	1	1	1	1	1	1	1	1	1	1	1	1	1253 487
1-82-36	CLAMP, Nozzle Tube . . . . .	-	2	2	2	2	2	2	2	2	2	2	2	2	2	2	2	2	1257 671
	Screw, No. 6-32 x 1/4" . . . . .	-	2	2	2	2	2	2	2	2	2	2	2	2	2	2	2	2	166 572
1-82-37	GASKET, Nozzle Tube . . . . .	-	1	1	1	1	1	1	1	1	1	1	1	1	1	1	1	1	1257 672
1-82-38	VALVE, Check . . . . .	-	1	1	1	1	1	1	1	1	1	1	1	1	1	1	1	1	1253 489
1-82-39	RETAINER, Nozzle Tube Gasket. . . . .	-	1	1	1	1	1	1	1	1	1	1	1	1	1	1	1	1	1264 046
<b>RADIO</b>																			
1-87-1	RADIO PACKAGE . . . . .	3, 4	1	1	1	1	1	1	1	1	1	1	1	1	1	1	1	1	1502 724
<b>RADIO ANTENNA</b>																			
1-88-1	ANTENNA PACKAGE (60" lgh.) . . . . .	3, 4	1	1	1	1	1	1	1	1	1	1	1	1	1	1	1	1	1495 946
	(90" lgh.) . . . . .	3, 4	1	1	1	1	1	1	1	1	1	1	1	1	1	1	1	1	1495 943

\*Indicates use as required.

Prices and specifications subject to change without notice.

☐Indicates parts not listed in any previous parts books.

Series No. (1 indicates B-1 Series) (2 indicates B-2 Series) (3 indicates B-3 Series) (4 indicates B-4 Series)

Where no Series No. is shown part is for B-1, B-2, B-3 and B-4 Series.

\* Indicates change or addition.

CODE	PART NAME AND DESCRIPTION	SERIES NO.	MODEL CODES													PART NO.				
			B	C	D	F	G	H & HH	FM	GM	HM & HHM	J	JM	K	KM		R	T	V	Y
RADIO ANTENNA - Cont'd																				
1-88-105	INSULATOR (upper) . . . . .	3,4	1	1	1	1	1	1	1	1	1	1	1	1	1	1	1	1	1	*1241 119
	(lower) . . . . .	3,4	1	1	1	1	1	1	1	1	1	1	1	1	1	1	1	1	1	*1237 311
1-88-106	GASKET, Insulator (upper) . . . . .	3,4	1	1	1	1	1	1	1	1	1	1	1	1	1	1	1	1	1	*1237 312
	(lower) . . . . .	3,4	1	1	1	1	1	1	1	1	1	1	1	1	1	1	1	1	1	*1237 306
1-88-120	NUT, Mounting . . . . .	3,4	1	1	1	1	1	1	1	1	1	1	1	1	1	1	1	1	1	*1163 612
1-88-167	STRAP, Ground . . . . .	3,4	1	1	1	1	1	1	1	1	1	1	1	1	1	1	1	1	1	□1370 457
1-88-230	WASHER, Mounting Nut . . . . .	3,4	1	1	1	1	1	1	1	1	1	1	1	1	1	1	1	1	1	*1163 614
	SEAL, Shield . . . . .	3,4	1	1	1	1	1	1	1	1	1	1	1	1	1	1	1	1	1	*1163 617
SPOTLIGHT																				
1-108-1	SPOTLIGHT PACKAGE (Model H-1) . . . . .	-	1	1	1	1	1	1	1	1	1	1	1	1	1	1	1	1	1	□1495 933
1-108-2	BRACKET PACKAGE, Mounting Right . . . . .	-	1	1	1	1	1	1	1	1	1	1	1	1	1	1	1	1	1	1266 530
	Left . . . . .	-	1	1	1	1	1	1	1	1	1	1	1	1	1	1	1	1	1	1261 410
1-108-5	RING, Lens (Models S-4 and S-5) . . . . .	-	1	1	1	1	1	1	1	1	1	1	1	1	1	1	1	1	1	1188 409
	(Model H-1) . . . . .	-	1	1	1	1	1	1	1	1	1	1	1	1	1	1	1	1	1	1345 180
	(Model S-6) . . . . .	-	1	1	1	1	1	1	1	1	1	1	1	1	1	1	1	1	1	1345 179
1-108-6	LENS (Models S-4 and S-5 without sealed beam unit) . . . . .	-	1	1	1	1	1	1	1	1	1	1	1	1	1	1	1	1	1	1188 407
1-108-7	GASKET, Lens (Models S-4 and S-5 without sealed beam unit) . . . . .	-	1	1	1	1	1	1	1	1	1	1	1	1	1	1	1	1	1	1188 408
1-108-9	SCREW, Ring (Models S-4 and S-5) . . . . .	-	1	1	1	1	1	1	1	1	1	1	1	1	1	1	1	1	1	1233 873
	(Models S-6 and H-1) . . . . .	-	1	1	1	1	1	1	1	1	1	1	1	1	1	1	1	1	1	1345 184
1-108-10	REFLECTOR (Models S-4 and S-5 without sealed beam unit) . . . . .	-	1	1	1	1	1	1	1	1	1	1	1	1	1	1	1	1	1	1188 971
1-108-11	NUT, Ring Screw (Models S-4 and S-5) . . . . .	-	1	1	1	1	1	1	1	1	1	1	1	1	1	1	1	1	1	1233 874
1-108-12	RING, Bulb Retaining, w/WIRE (Models S-4 and S-5 with sealed beam unit) . . . . .	-	1	1	1	1	1	1	1	1	1	1	1	1	1	1	1	1	1	1253 123
	Bulb Mounting Adapter (Model H-1) . . . . .	-	1	1	1	1	1	1	1	1	1	1	1	1	1	1	1	1	1	1345 182
	(Model S-6) . . . . .	-	1	1	1	1	1	1	1	1	1	1	1	1	1	1	1	1	1	1345 181
1-108-13	SCREW, Head Cap Mounting (Models S-5, S-6 and H-1) . . . . .	-	1	1	1	1	1	1	1	1	1	1	1	1	1	1	1	1	1	1233 875
1-108-15	FUSE . . . . .	-	1	1	1	1	1	1	1	1	1	1	1	1	1	1	1	1	1	147 684
	Cap. . . . .	-	1	1	1	1	1	1	1	1	1	1	1	1	1	1	1	1	1	150 429
	Bushing (bakelite) . . . . .	-	2	2	2	2	2	2	2	2	2	2	2	2	2	2	2	2	2	150 422
	Ferrule . . . . .	-	2	2	2	2	2	2	2	2	2	2	2	2	2	2	2	2	2	150 423
	Spring . . . . .	-	1	1	1	1	1	1	1	1	1	1	1	1	1	1	1	1	1	150 421
	Washer, fuse container . . . . .	-	1	1	1	1	1	1	1	1	1	1	1	1	1	1	1	1	1	150 700
1-108-17	UNIT, Sealed Beam (Models S-4, S-5 and S-6) . . . . .	-	1	1	1	1	1	1	1	1	1	1	1	1	1	1	1	1	1	1253 121
	(Model H-1) . . . . .	-	1	1	1	1	1	1	1	1	1	1	1	1	1	1	1	1	1	1253 120
1-108-18	SHIELD, Bulb (Models S-4 and S-5 without sealed beam unit) . . . . .	-	1	1	1	1	1	1	1	1	1	1	1	1	1	1	1	1	1	1233 897
1-108-19	NUT, Handle Wedge . . . . .	-	1	1	1	1	1	1	1	1	1	1	1	1	1	1	1	1	1	1233 882
1-108-23	GEAR . . . . .	-	1	1	1	1	1	1	1	1	1	1	1	1	1	1	1	1	1	1233 881
1-108-24	BRACKET, Inside Mounting . . . . .	-	1	1	1	1	1	1	1	1	1	1	1	1	1	1	1	1	1	1261 399
	BRACKET, Outside Mounting, Right . . . . .	-	1	1	1	1	1	1	1	1	1	1	1	1	1	1	1	1	1	1266 544
	Left . . . . .	-	1	1	1	1	1	1	1	1	1	1	1	1	1	1	1	1	1	1261 059
	Screw, No. 10-12 x 5/8" . . . . .	-	3	3	3	3	3	3	3	3	3	3	3	3	3	3	3	3	3	107 261
	Bolt . . . . .	-	1	1	1	1	1	1	1	1	1	1	1	1	1	1	1	1	1	120 706
1-108-25	GASKET, Outside Mounting Bracket . . . . .	-	1	1	1	1	1	1	1	1	1	1	1	1	1	1	1	1	1	1261 058

★Indicates use as required.

□Indicates parts not listed in any previous parts books.

Series No. (1 indicates B-1 Series) (2 indicates B-2 Series) (3 indicates B-3 Series) (4 indicates B-4 Series)

Where no Series No. is shown part is for B-1, B-2, B-3 and B-4 Series.

April 6, 1953 Supersedes Dec. 31, 1952.

Prices and specifications subject to change without notice.

Printed in U.S.A.

\* Indicates change or addition.

CODE	PART NAME AND DESCRIPTION	SERIES NO.	MODEL CODES														PART NO.			
			B	C	D	F	G	H & HH	FM	GM	HM & HHM	J	JM	K	KM	R		T	V	Y
SPOTLIGHT - Cont'd																				
1-108-26	SCREW, Outside Mounting Bracket Clamp. . . . .	-	1	1	1	1	1	1	1	1	1	1	1	1	1	1	1	1	1	1163 575
1-108-27	GROMMET, Cable. . . . .	-	1	1	1	1	1	1	1	1	1	1	1	1	1	1	1	1	1	1235 595
1-108-28	SWITCH . . . . .	-	1	1	1	1	1	1	1	1	1	1	1	1	1	1	1	1	1	1233 877
	Screw, No. 6-32 x 7/16" . . . . .	-	1	1	1	1	1	1	1	1	1	1	1	1	1	1	1	1	1	134 167
1-108-29	SLEEVE, Cable Terminal . . . . .	-	1	1	1	1	1	1	1	1	1	1	1	1	1	1	1	1	1	1264 933
1-108-31	SCREW, Switch Cap Mounting . . . . .	-	2	2	2	2	2	2	2	2	2	2	2	2	2	2	2	2	2	1233 876
1-108-33	GEAR, Headpost. . . . .	-	1	1	1	1	1	1	1	1	1	1	1	1	1	1	1	1	1	1233 870
1-108-34	BUSHING, Headpost. . . . .	-	1	1	1	1	1	1	1	1	1	1	1	1	1	1	1	1	1	1233 871
1-108-36	SPRING, Headpost Gear . . . . .	-	1	1	1	1	1	1	1	1	1	1	1	1	1	1	1	1	1	1233 872
1-108-37	TUBE, Inside, w/GEAR (Models S-4 and S-5). . . . .	-	1	1	1	1	1	1	1	1	1	1	1	1	1	1	1	1	1	1233 880
	(Models S-6 and H-1). . . . .	-	1	1	1	1	1	1	1	1	1	1	1	1	1	1	1	1	1	1345 183
1-108-39	TOGGLE, Switch . . . . .	-	1	1	1	1	1	1	1	1	1	1	1	1	1	1	1	1	1	1233 878
1-108-40	SCREW, Switch Toggle . . . . .	-	1	1	1	1	1	1	1	1	1	1	1	1	1	1	1	1	1	1233 879
1-108-41	PINION, w/SHAFT. . . . .	-	1	1	1	1	1	1	1	1	1	1	1	1	1	1	1	1	1	1188 416
1-108-43	SPACER, Mounting Bracket (Models S-4 and S-5). . . . .	-	1	1	1	1	1	1	1	1	1	1	1	1	1	1	1	1	1	1261 057
	(Models S-6 and H-1). . . . .	-	1	1	1	1	1	1	1	1	1	1	1	1	1	1	1	1	1	1300 606
1-108-44	HANDLE, Lower . . . . .	-	1	1	1	1	1	1	1	1	1	1	1	1	1	1	1	1	1	1188 414
	Screw, No. 6-32 x 1 1/2". . . . .	-	1	1	1	1	1	1	1	1	1	1	1	1	1	1	1	1	1	107 083
1-108-45	HANDLE, Upper. . . . .	-	1	1	1	1	1	1	1	1	1	1	1	1	1	1	1	1	1	1188 413
1-108-46	WEDGE, Handle. . . . .	-	1	1	1	1	1	1	1	1	1	1	1	1	1	1	1	1	1	1188 412
1-108-47	CAP, Switch . . . . .	-	1	1	1	1	1	1	1	1	1	1	1	1	1	1	1	1	1	1188 411
1-108-48	CONNECTOR, Cable . . . . .	-	1	1	1	1	1	1	1	1	1	1	1	1	1	1	1	1	1	611 898
HOOD ORNAMENT																				
1-130-1	ORNAMENT PACKAGE (Dodge) . . . . .	-	1	1	1	1	1	1	1	1	1	1	1	1	1	1	1	1	1	1280 002
1-130-3	WASHER, Ornament Screw. . . . .	-	3	3	3	3	3	3	3	3	3	3	3	3	3	3	3	3	3	1097 771

NOTES

---

---

---

---

---

---

---

---

---

---

---

---

---

---

---

---

---

---

---

---

---

---

---

---

CODE	PART NAME AND DESCRIPTION	SERIES NO.	MODEL CODES															PART NO.		
			B	C	D	F	G	H&HH	FM	GM	HM & HHM	J	JM	K	KM	R	T		V	Y

NOTES

Blank lined area for notes.

★ Indicates use as required.

Prices and specifications subject to change without notice.

□ Indicates parts not listed in any previous parts books.

Series No. (1 indicates B-1 Series) (2 indicates B-2 Series) (3 indicates B-3 Series) (4 indicates B-4 Series)

Where no Series No. is shown part is for B-1, B-2, B-3 and B-4 Series.

April 6, 1953 Supersedes Dec. 31, 1952.