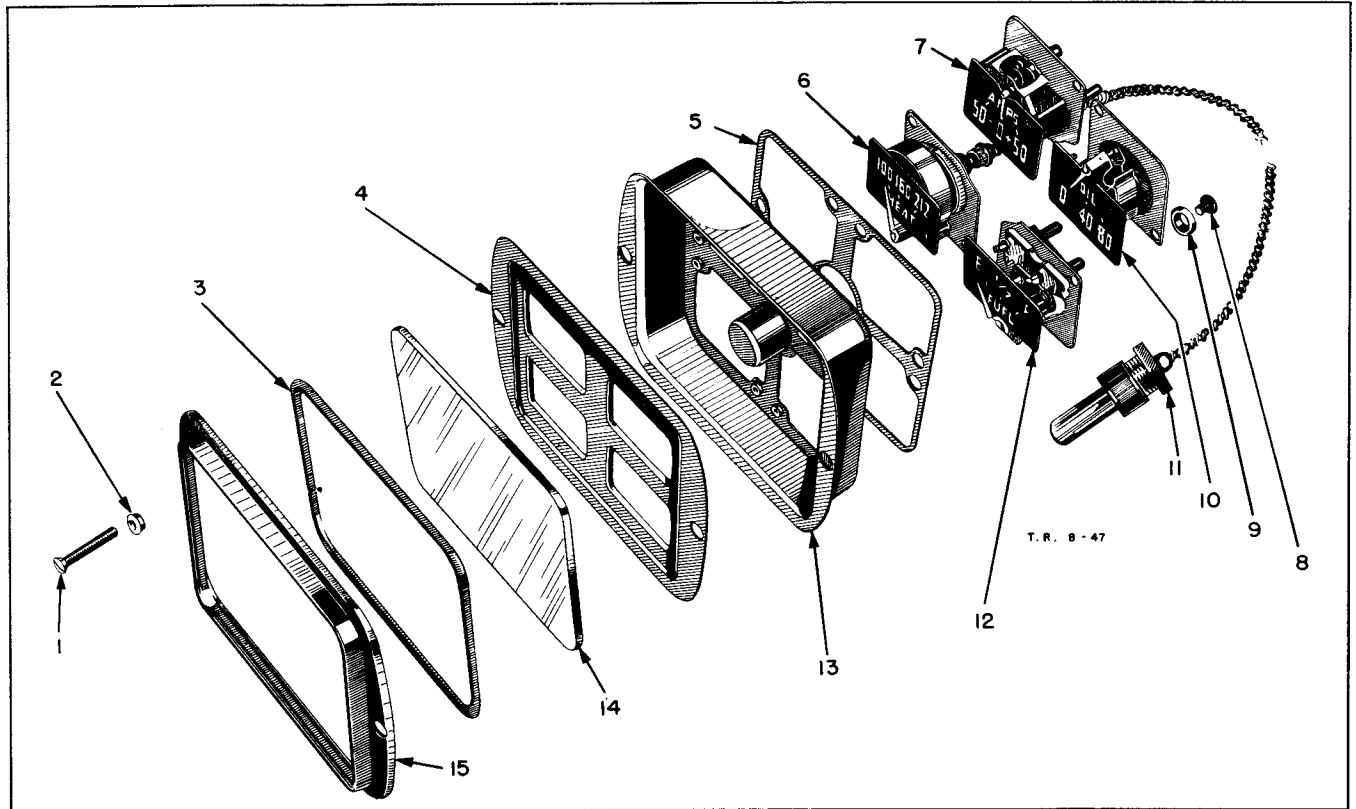
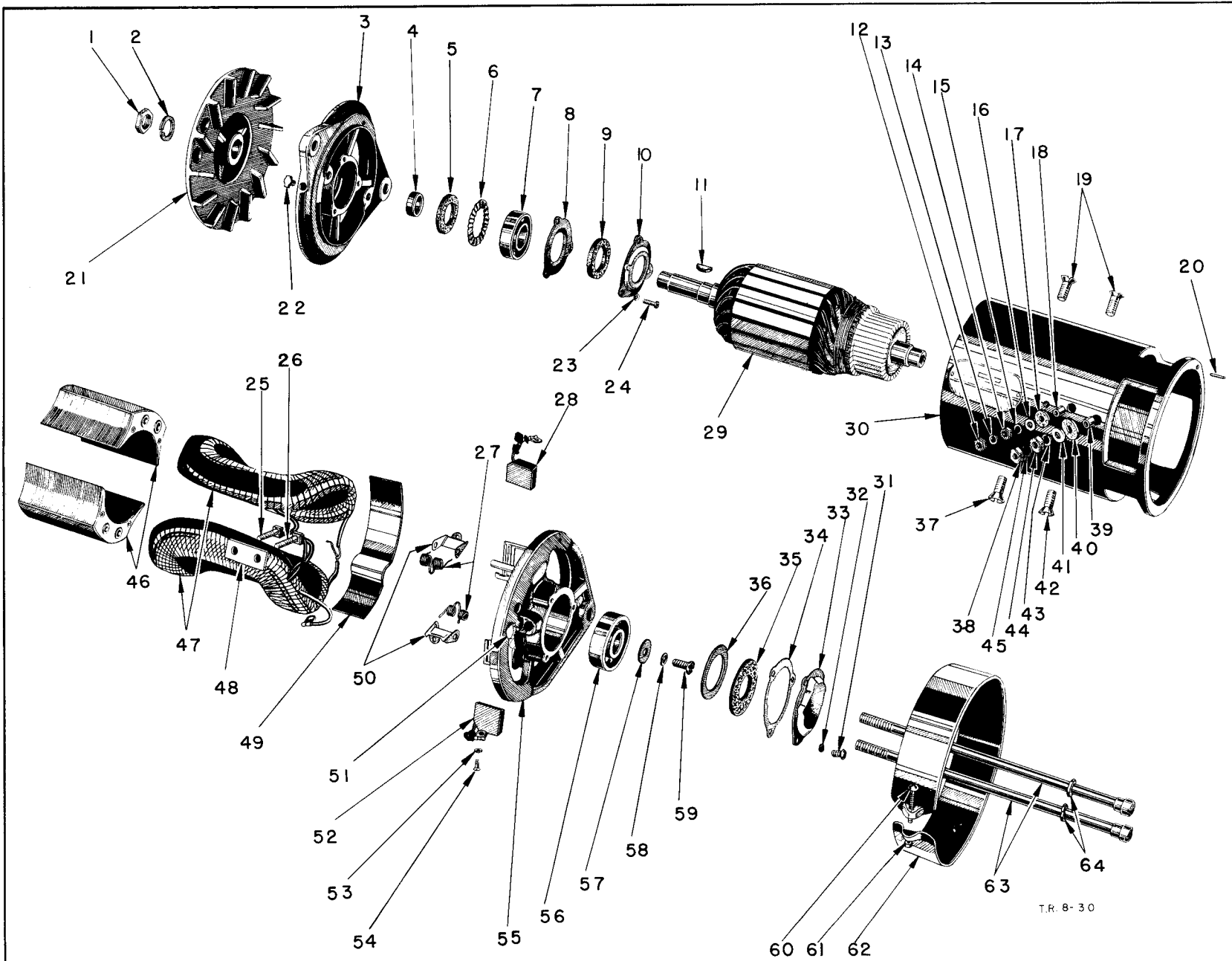


INSTRUMENTS



Ref. No.	Part Name	Group
1	Instrument bezel screw.....	8-G
2	Instrument bezel screw eyelet.....	8-G
3	Instrument bezel gasket.....	8-G
4	Instrument plate.....	8-G
5	Instrument housing gasket.....	8-G
6	Temperature gauge assy.....	7-E
7	Ammeter assy.....	8-H
8	Instrument screw.....	8-G

Ref. No.	Part Name	Group
9	Instrument screw.....	8-G
10	Oil gauge assy.....	10-B
11	Gland nut.....	7-E
12	Fuel gauge assy.....	14-G
13	Instrument housing.....	8-G
14	Instrument lens.....	8-G
15	Instrument bezel.....	8-G



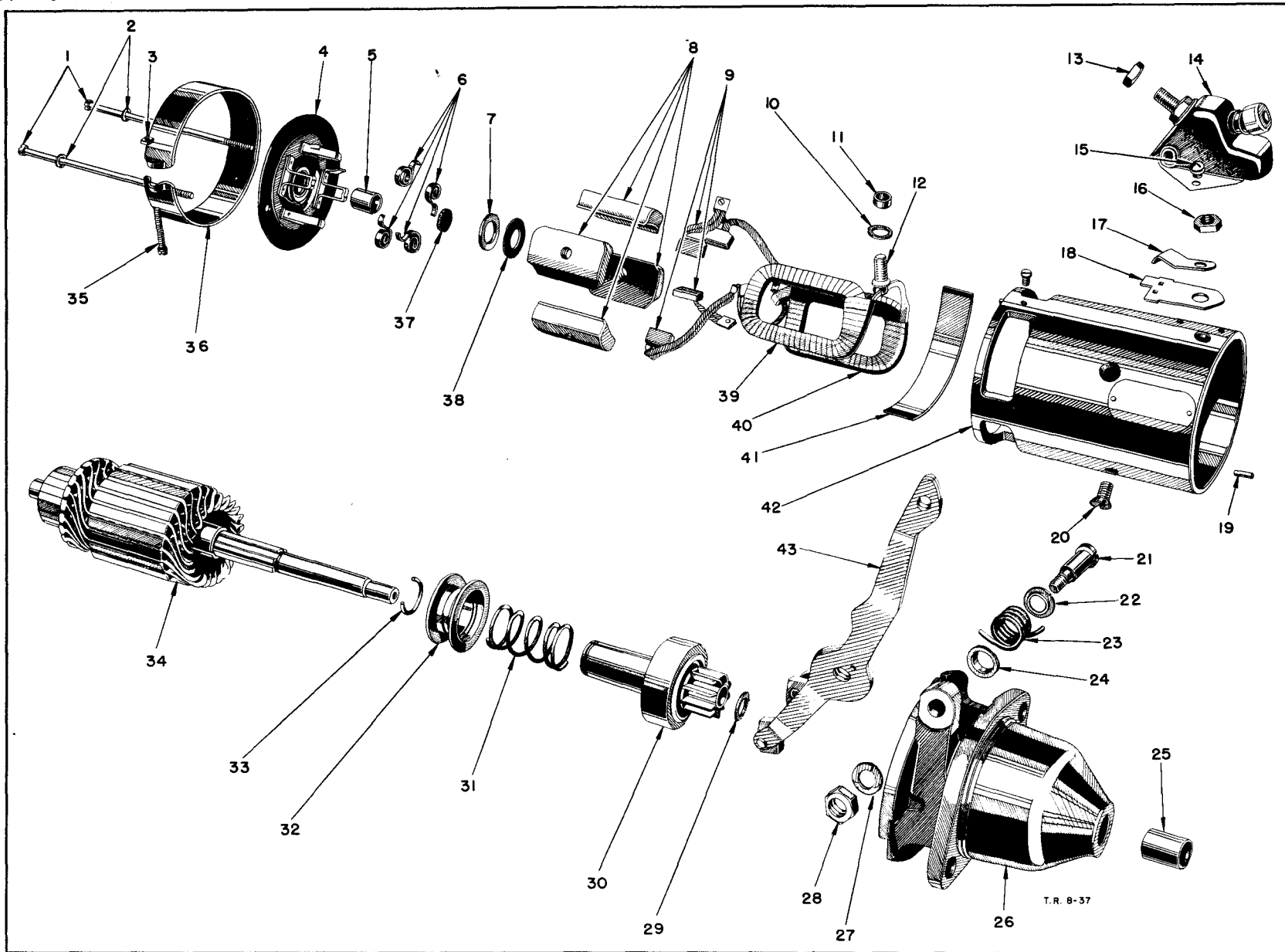
T.R. 8-30

GENERATOR (Cont'd)

Plate 26 (Cont'd)

Ref. No.	Part Name	Group	Ref. No.	Part Name	Group
1	Armature shaft nut .....	8-B	33	Commutator end cover .....	8-B
2	Armature shaft nut lockwasher .....	8-B	34	Commutator end cover gasket .....	8-B
3	Drive end head assembly .....	8-B	35	Commutator end felt washer .....	8-B
4	Drive end felt washer retainer-out .....	8-B	36	Commutator end felt plainwasher .....	8-B
5	Drive end felt washer .....	8-B	37	Pole piece screw .....	8-B
6	Drive end ball bearing retainer gasket .....	8-B	38	Field terminal nut - armature .....	8-B
7	Drive end ball bearing .....	8-B	39	Field terminal insulating bushing-armature .....	8-B
8	Drive end felt washer retainer-inner .....	8-B	40	Field terminal insulating washer - armature .....	8-B
9	Drive end felt washer .....	8-B	41	Field terminal nut plainwasher-armature .....	8-B
10	Drive end ball bearing retainer .....	8-B	42	Pole piece screw .....	8-B
11	Armature drive pulley woodruff key .....	8-B	43	Field terminal nut lockwasher - armature .....	8-B
12	Field terminal nut - armature .....	8-B	44	Field terminal nut - armature .....	8-B
13	Field terminal nut - lockwasher .....	8-B	45	Field terminal nut lockwasher - armature .....	8-B
14	Field terminal nut .....	8-B	46	Pole piece .....	8-B
15	Field terminal nut lockwasher .....	8-B	47	Field coils .....	8-B
16	Field terminal nut plainwasher .....	8-B	48	Field terminal stud insulation .....	8-B
17	Field terminal insulating washer .....	8-B	49	Frame field connection insulation .....	8-B
18	Field terminal insulating bushing .....	8-B	50	Brush arm .....	8-B
19	Pole piece screw .....	8-B	51	Commutator end oiler .....	8-B
20	Frame and field dowel pin .....	8-B	52	Brush set .....	8-B
21	Pulley .....	8-B	53	Brush lead screw lockwasher .....	8-B
22	Drive end oiler .....	8-B	54	Brush lead screw .....	8-B
23	Drive end ball bearing retainer lockwasher .....	8-B	55	Commutator end head assembly .....	8-B
24	Drive end ball bearing retainer screw .....	8-B	56	Commutator end bearing .....	8-B
25	Field terminal stud .....	8-B	57	Commutator end brg. retaining washer .....	8-B
26	Armature terminal stud .....	8-B	58	Commutator end brg. retainer lockwasher .....	8-B
27	Brush spring .....	8-B	59	Commutator end brg. retainer screw .....	8-B
28	Brush set .....	8-B	60	Cover band screw .....	8-B
29	Armature assembly .....	8-B	61	Cover band screw nut .....	8-B
30	Frame assembly (not serviced) .....	8-B	62	Cover band .....	8-B
31	Commutator end cover screw .....	8-B	63	Frame through bolt .....	8-B
32	Commutator end cover lockwasher .....	8-B	64	Frame through bolt lockwasher .....	8-B

GROUP 8 - ELECTRICAL

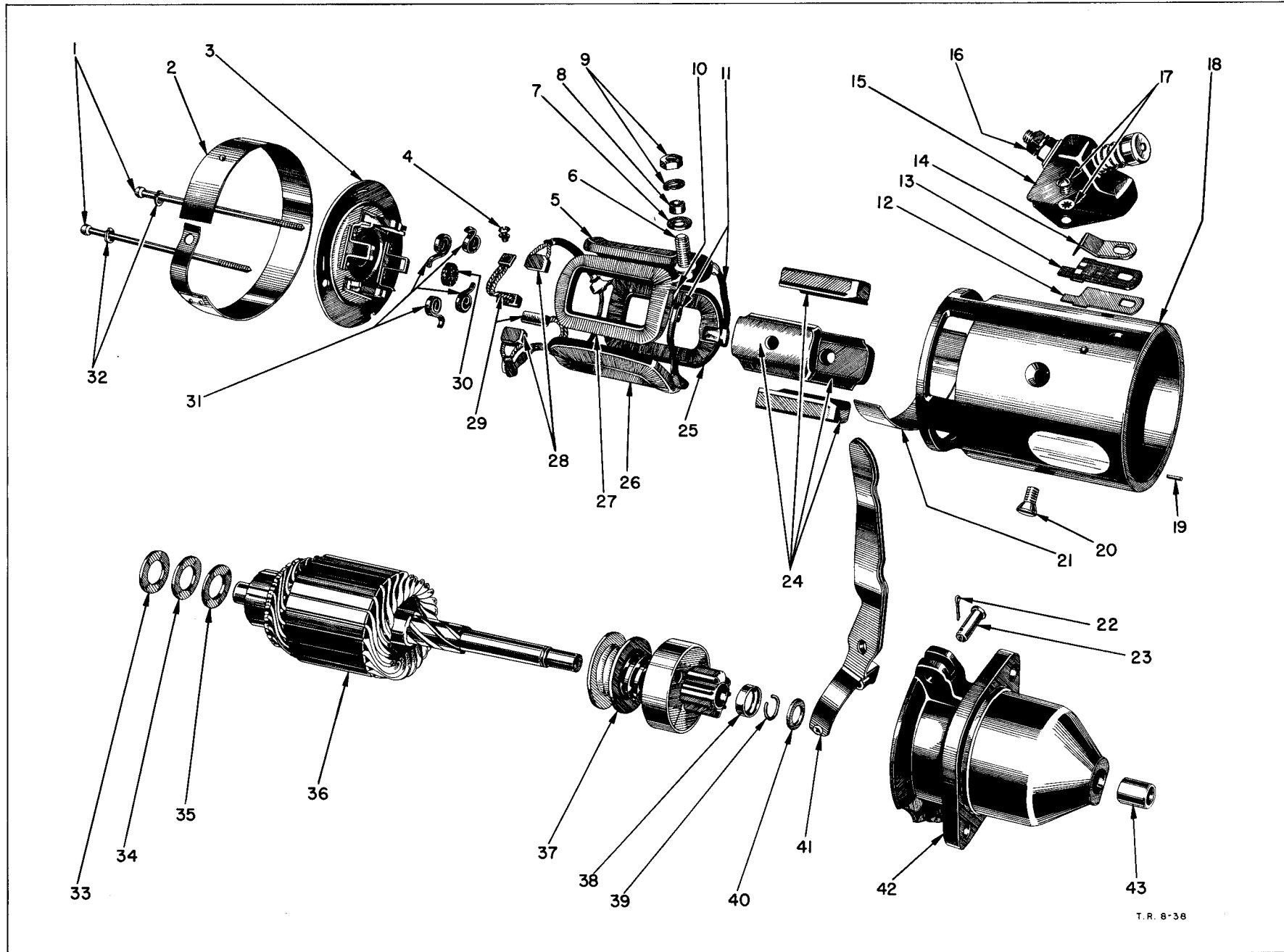


STARTER (Cont'd)

Plate 27 (Cont'd)

Ref. No.	Part Name	Group	Ref. No.	Part Name	Group
1	Starter frame thru bolt .....	8-D	23	Yoke spring .....	8-D
2	Thru bolt lockwasher .....	8-D	24	Yoke spring retainer .....	8-D
3	Cover band screw nut .....	8-D	25	Pinion housing bearing .....	8-D
4	Commutator end head assembly .....	8-D	26	Pinion housing .....	8-D
5	Head bushing (service in head assembly) .....	8-D	27	Yoke pin nut lockwasher .....	8-D
6	Brush springs .....	8-D	28	Yoke pin nut .....	8-D
7	Commutator end thrust washer .....	8-D	29	Pinion thrust washer .....	8-D
8	Pole piece (service in starter assembly) .....	8-D	30	Starter clutch assembly .....	8-D
9	Brush set .....	8-D	31	Clutch spring (service in clutch assy.) .....	8-D
10	Terminal stud washer .....	8-D	32	Clutch sleeve (service in clutch assy.) .....	8-D
11	Terminal stud bushing .....	8-D	33	Clutch snap ring (service in clutch assy.) .....	8-D
12	Terminal stud .....	8-D	34	Starter armature assembly .....	8-D
13	Starter cable terminal nut .....	8-D	35	Cover band screw .....	8-D
14	Starter switch .....	8-D	36	Cover band .....	8-D
15	Switch mounting screw .....	8-D	37	Commutator end felt wick .....	8-D
16	Terminal stud nut .....	8-D	38	Commutator end thrust washer .....	8-D
17	Starter switch contact .....	8-D	39	Starter field coil - left .....	8-D
18	Contact insulating block .....	8-D	40	Starter field coil - right .....	8-D
19	Starter frame dowel pin .....	8-D	41	Field connection insulation .....	8-D
20	Pole piece screw .....	8-D	42	Starter frame (service in starter assy.) .....	8-D
21	Starter yoke pin .....	8-D	43	Starter yoke .....	8-D
22	Yoke spring retainer .....	8-D			

GROUP 8 - ELECTRICAL



STARTER

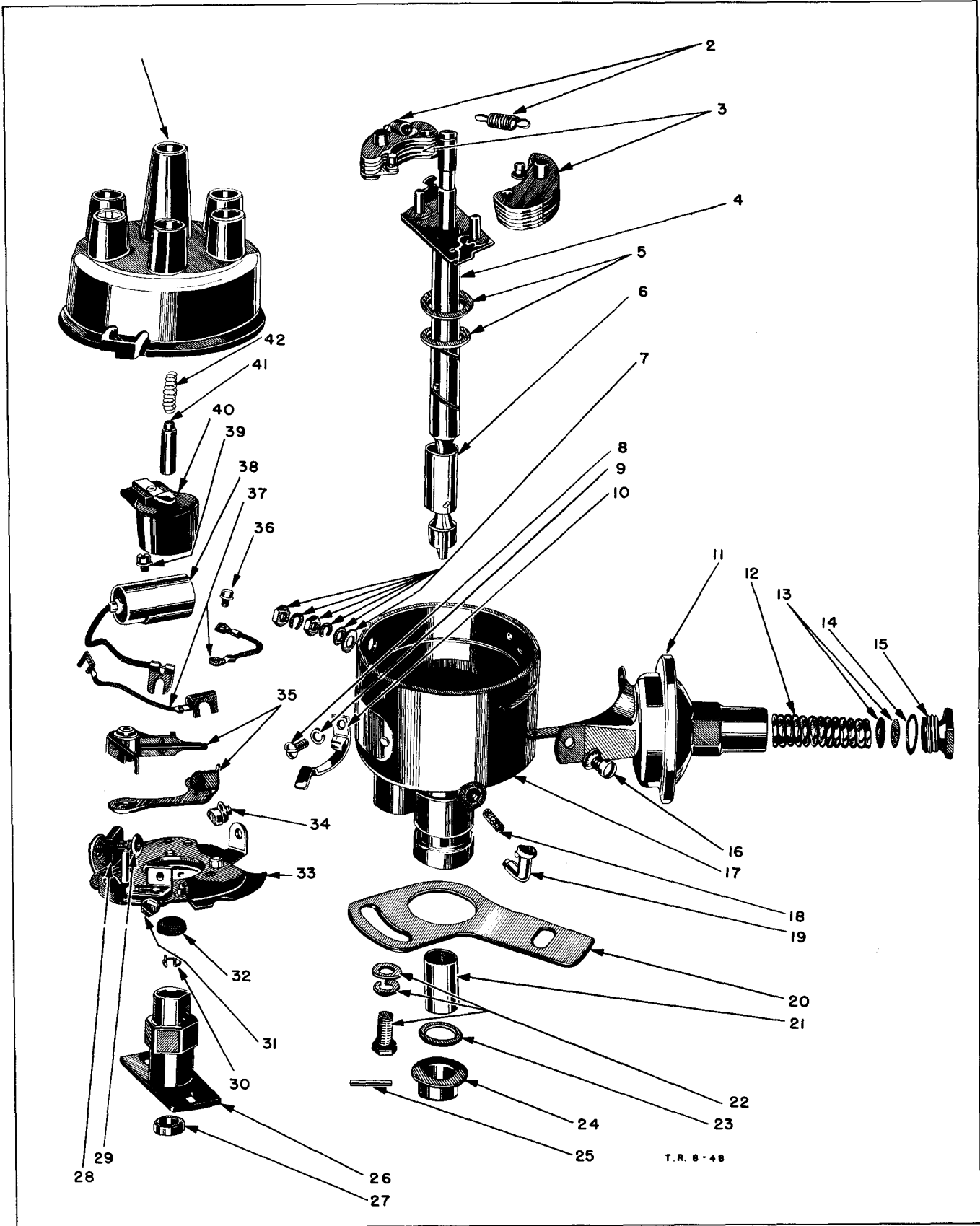
Plate 28 (Cont'd)

Ref. No.	Part Name	Group
1	Starter frame thru bolt.....	8-D
2	Cover band.....	8-D
3	Commutator end head assembly.....	8-D
4	Brush set screw and washer.....	8-D
5	Field coil - upper right.....	8-D
6	Terminal stud.....	8-D
7	Terminal stud bushing.....	8-D
8	Terminal stud bushing.....	8-D
9	Terminal stud nut and lockwasher.....	8-D
10	Field coil equalizer.....	8-D
11	Field coil connector.....	8-D
12	Switch insulating block.....	8-D
13	Contact insulating block.....	8-D
14	Starter switch contact.....	8-D
15	Starter switch.....	8-D
16	Starter cable terminal nut.....	8-D
17	Switch mounting screw.....	8-D
18	Starter frame (Service In Starter Assembly).....	8-D
19	Starter frame dowel pin.....	8-D
20	Pole piece screw.....	8-D
21	Field connection insulation.....	8-D
22	Starter yoke cotter pin.....	8-D

Ref. No.	Part Name	Group
23	Starter yoke pin.....	8-D
24	Pole piece (Service In Starter Assembly).....	8-D
25	Field coil - lower right.....	8-D
26	Field coil - lower left.....	8-D
27	Field coil - upper left.....	8-D
28	Starter motor brush.....	8-D
29	Starter motor brush set.....	8-D
30	Commutator end felt wick.....	8-D
31	Brush spring.....	8-D
32	Thru bolt lockwasher.....	8-D
33	Drive end washer.....	8-D
34	Armature shaft spacer.....	8-D
35	Armature thrust washer.....	8-D
36	Starter armature assembly.....	8-D
37	Clutch sleeve (Serv. in clutch assembly).....	8-D
38	Clutch retainer.....	8-D
39	Clutch snap ring.....	8-D
40	Armature thrust washer.....	8-D
41	Starter yoke.....	8-D
42	Pinion housing.....	8-D
43	Pinion housing bearing.....	8-D

GROUP 8 - ELECTRICAL

DISTRIBUTOR (6 CYLINDER)



T.R. 8-48



## DISTRIBUTOR (6 CYLINDER) (Cont'd)

Ref. No.	Part Name	Group
1	Distributor Cap.....	8-E
2	Governor weight spring set.....	8-E
3	Governor weight.....	8-E
4	Drive shaft.....	8-E
5	Thrust washer - upper.....	8-E
6	Base bearing.....	8-E
7	Nuts and washers.....	8-E
8	Cap clamp screw.....	8-E
9	Cap clamp screw 1/washer.....	8-E
10	Cap spring clamp.....	8-E
11	Vacuum chamber.....	8-E
12	Vacuum chamber spring.....	8-E
13	Vacuum chamber tension washers.....	8-E
14	Vacuum chamber plug gasket.....	8-E
15	Vacuum chamber plug.....	8-E
16	Vacuum chamber screw and 1/washer.....	8-E
17	Base assy.....	8-E
18	Base felt wick.....	8-E
19	Base oiler assy.....	8-E
20	Advance arm.....	8-E
21	Base bearing.....	8-E
22	Advance arm screw and washer.....	8-E
23	Drive shaft thrust washer - lower.....	8-E
24	Drive shaft collar.....	8-E
25	Drive shaft collar rivet.....	8-E
26	Drive shaft cam and stop plate.....	8-E
27	Cam and stop plate spacer.....	8-E
28	Terminal stud insulation.....	8-E
29	Terminal stud.....	8-E
30	Cam retaining snap ring.....	8-E
31	Lead screw and washer.....	8-E
32	Cam sleeve felt wick.....	8-E
33	Breaker plate assy.....	8-E
34	Breaker plate attaching screw and washer.....	8-E
35	Breaker point set.....	8-E
36	Lead screw and washer.....	8-E
37	Lead assy.....	8-E
38	Condenser.....	8-E
39	Condenser screw and washer.....	8-E
40	Rotor.....	8-E
41	Cap contact plunger.....	8-E
42	Cap contact plunger spring.....	8-E

**GROUP 8 - ELECTRICAL**

Note- Parts referred to "Note 1" were used up to and including:  
 Parts referred to "Note 2" were used after the following Engine Serial Nos. :

T 307 (L.H.D.) - 8179 C  
 T 311 (L.H.D.) - 3763 C  
 TX315 (L.H.D.) - 1805 C  
 T 317 (L.H.D.) - 1908 C  
 T 319 (L.H.D.) - 2817 C

T 307 (R.H.D.) - 7740 C  
 T 311 (R.H.D.) - 3580 C  
 T 315 (R.H.D.) - 1001 C

PART NAME	PART NO.	MODEL CODES											
		DG AND FO					DH AND FP						
		1	2	3	4	5	6	1	2	4	5	6	7
<b>GROUP 8-A HORN</b>													
<b>Horn</b>													
Assembly - - - - -	1194602	1	1	1	1	1	1	1	1	1	1	1	1
Bolt - mounting - - - - -	123461	2	2	2	2	2	2	2	2	2	2	2	2
Lockwasher - - - - -	120380	2	2	2	2	2	2	2	2	2	2	2	2
Nut terminal- - - - -	120614	2	2	2	2	2	2	2	2	2	2	2	2
Lockwasher - - - - -	138479	2	2	2	2	2	2	2	2	2	2	2	2
Bracket- - - - -	1260750	1	1	1	1	1	1	1	1	1	1	1	1
Lamination - mounting- - - - -	688007	3	3	3	3	3	3	3	3	3	3	3	3
Mounting lamination plate assembly - - - - -	852007	1	1	1	1	1	1	1	1	1	1	1	1
Plate - - - - -	683365	1	1	1	1	1	1	1	1	1	1	1	1
Spacer - - - - -	1089626	2	2	2	2	2	2	2	2	2	2	2	2
Nut- - - - -	120367	2	2	2	2	2	2	2	2	2	2	2	2
Lockwasher - - - - -	120380	2	2	2	2	2	2	2	2	2	2	2	2
<b>Horn - Dual Mounted</b>													
Assembly - high note - left- - - - -	1241033	1	1	1	1	1	1	1	1	1	1	1	1
Assembly - low note - right- - - - -	1241032	1	1	1	1	1	1	1	1	1	1	1	1
Bolt - mounting - - - - -	123461	2	2	2	2	2	2	2	2	2	2	2	2
Lockwasher - - - - -	120380	2	2	2	2	2	2	2	2	2	2	2	2
Screw - terminal- - - - -	121832	2	2	2	2	2	2	2	2	2	2	2	2
Lockwasher - - - - -	138530	2	2	2	2	2	2	2	2	2	2	2	2
Bracket - mounting - - - - -	1268154	1	1	1	1	1	1	1	1	1	1	1	1
Support - - - - -	1272312	1	1	1	1	1	1	1	1	1	1	1	1
Bolt - - - - -	123316	4	4	4	4	4	4	4	4	4	4	4	4
Lockwasher - - - - -	120380	2	2	2	2	2	2	2	2	2	2	2	2
Mounting lamination plate assembly - - - - -	852007	2	2	2	2	2	2	2	2	2	2	2	2
Plate - - - - -	683365	1	1	1	1	1	1	1	1	1	1	1	1
Lamination- - - - -	688007	6	6	6	6	6	6	6	6	6	6	6	6
Spacer - - - - -	1089626	4	4	4	4	4	4	4	4	4	4	4	4
Nut- - - - -	120367	4	4	4	4	4	4	4	4	4	4	4	4
Lockwasher - - - - -	120380	4	4	4	4	4	4	4	4	4	4	4	4
<b>Horn Relay</b>													
Assembly - - - - -	1113099	1	1	1	1	1	1	1	1	1	1	1	1
Screw - terminal- - - - -	122159	3	3	3	3	3	3	3	3	3	3	3	3
Washer - - - - -	300934	3	3	3	3	3	3	3	3	3	3	3	3
Screw - mounting- - - - -	929054	2	2	2	2	2	2	2	2	2	2	2	2
Cable - feed - specify length required- -	385571	*	*	*	*	*	*	*	*	*	*	*	*
<b>Horn Button</b>													
See group 19-H Steering Wheel													

Indicates amount used as required.

† Indicates parts included in packages.

# GROUP 8 - ELECTRICAL

PART NAME	PART NO.	MODEL CODES									
		DG AND FO					DH AND FP				
		1	2	3	4	5	6	1	2	4	5
<b>GROUP 8-B GENERATOR</b>											
<b>Generator</b>											

**Special Note:-** On all generator name plates is found the stamped part number of the generator assembly complete, - which includes the generator and generator pulley. This part number is not serviced, since the generator and pulley are serviced separately, and their respective Part Numbers are found in their respective groups in the parts book. To facilitate identifying and ordering the required generator or pulley, use the chart shown below, where opposite the generator assembly complete, is shown the service generator and pulley.

Generator Assembly Complete - (Not Serviced)	Generator Assembly	Generator Pulley
1194649	1194650	1319443
1194652	1194650	1194599
1343236	1257392	1345973
1263975	1257392	1264943
1343235	1136934	1320117
1263563	1136934	1194599
1343233	1136931	1320116
1263487	1136931	1263488

Assembly - 32 amps - low speed cut-in- - -	1194650	1	1	1	1	1	1	1	1	1	1	1	1	1	1
Assembly - 40 amps - standard- - - - -	1257392	1	1	1	1	1	1	1	1	1	1	1	1	1	1
Assembly - 50 amps - normal cut-in - - - -	1136934	1	1	1	1	1	1	1	1	1	1	1	1	1	1
Assembly - 55 amps - early cut-in- - - - -	1136931	1	1	1	1	1	1	1	1	1	1	1	1	1	1
<b>Generator Mounting Bracket</b>															
Bracket - use with 1257392 gen.- - - - -	667751	1	1	1	1	1	1	1	1	1	1	1	1	1	1
Bracket - use with 1194650 - 1136934 gen.-	859228	1	1	1	1	1	1	1	1	1	1	1	1	1	1
Bracket - use with 1136931 gen.- - - - -	1117247	1	1	1	1	1	1	1	1	1	1	1	1	1	1
Screw - - - - -	122253	2	2	2	2	2	2	2	2	2	2	2	2	2	2
Lockwasher - - - - -	120383	2	2	2	2	2	2	2	2	2	2	2	2	2	2
Bolt - mounting - exc. 1136931 gen.- - - -	123774	2	2	2	2	2	2	2	2	2	2	2	2	2	2
Nut - - - - -	120368	2	2	2	2	2	2	2	2	2	2	2	2	2	2
Lockwasher - - - - -	120214	2	2	2	2	2	2	2	2	2	2	2	2	2	2
Bolt - mounting - with 1136931 gen.- - - -	123852	2	2	2	2	2	2	2	2	2	2	2	2	2	2
Nut - - - - -	120370	2	2	2	2	2	2	2	2	2	2	2	2	2	2
Lockwasher - - - - -	120383	2	2	2	2	2	2	2	2	2	2	2	2	2	2
<b>Generator Adjusting Strap</b>															
Strap - use with 1257392 - 1136931 gen.- -	1270658	1	1	..	..	..	..	1	1	..	..	..	..	..	..
Strap - use with 1194650 - 1136934 gen.- -	582589	1	1	1	1	1	1	1	1	1	1	1	1	1	1
Strap - use with 1257392 gen.- - - - -	582589	..	..	1	1	1	1	..	..	1	1	1	1	1	1
Strap - use with 1136931 gen.- - - - -	1117245	..	..	1	1	1	1	..	..	1	1	1	1	1	1
Screw - exc. 1136931 gen. - - - - -	122007	1	1	1	1	1	1	1	1	1	1	1	1	1	1
Screw - exc. 1136931 gen. - - - - -	122017	..	..	1	1	1	1	..	..	1	1	1	1	1	1
Plainwasher- - - - -	1123372	1	1	1	1	1	1	1	1	1	1	1	1	1	1
Lockwasher - - - - -	138485	1	1	..	..	..	..	1	1	..	..	..	..	..	..
Lockwasher - - - - -	120214	..	..	1	1	1	1	..	..	1	1	1	1	1	1
Screw - with 1136931 gen. - - - - -	122126	1	1	1	1	1	1	1	1	1	1	1	1	1	1
Plainwasher- - - - -	120394	1	1	1	1	1	1	1	1	1	1	1	1	1	1
Lockwasher - - - - -	120382	1	1	1	1	1	1	1	1	1	1	1	1	1	1
<b>Generator Regulator</b>															
Assembly - use with 1136934 gen. - - - - -	1343574	1	1	1	1	1	1	1	1	1	1	1	1	1	1
Assembly - use with 1257392 gen. - - - - -	1343573	1	1	1	1	1	1	1	1	1	1	1	1	1	1
Assembly - use with 1194650 gen. - - - - -	1195738	1	1	1	1	1	1	1	1	1	1	1	1	1	1
Assembly - use with 1136931 gen. - - - - -	1343122	1	1	1	1	1	1	1	1	1	1	1	1	1	1
Screw - mounting- - - - -	121900	3	3	3	3	3	3	3	3	3	3	3	3	3	3
Screw - mounting- - - - -	132900	3	3	3	3	3	3	3	3	3	3	3	3	3	3
Clamp - terminal screw- - - - -	1440350	3	3	3	3	3	3	3	3	3	3	3	3	3	3

Indicates amount used as required.

† Indicates parts included in packages.

**GROUP 8 - ELECTRICAL**

PART NAME	PART NO.	MODEL CODES													
		DG AND FO						DH AND FP							
		1	2	3	4	5	6	1	2	4	5	6	7		
<b>GROUP 8-B GENERATOR - (Cont'd)</b>															
<b>Generator Pulley</b>															
Pulley - with 1257392 gen. - - - - -	1345973	1	1	..	..	..	..	1	1	..	..	..	..		
Pulley - with 1257392 gen. - - - - -	1264943	..	..	1	1	1	1	..	..	1	1	1	1		
Pulley - with 1194650 gen. - - - - -	1319443	1	1	..	..	..	..	1	1	..	..	..	..		
Pulley - with 1136934 gen. - - - - -	1320117	1	1	..	..	..	..	1	1	..	..	..	..		
Pulley - with 1194650 - 1136934 gen. - - -	1194599	..	..	1	1	1	1	..	..	1	1	1	1		
Pulley - with 1136931 gen. - - - - -	1320116	1	1	..	..	..	..	1	1	..	..	..	..		
Pulley - with 1136931 gen. - - - - -	1263488	..	..	1	1	1	1	..	..	1	1	1	1		

GENERATOR COMPONENT PARTS	QTY.	1194650 Assy.	1257392 Assy.	1136934 Assy.	1136931 Assy.
<b>Generator Armature</b>					
Assembly - - - - -	1	860922	1266499	1253360	1253337
Drive pulley woodruff key - - - - -	1	106750	124545	106750	103906
Felt washer retainer- - - - -	1	---	636810	636810	659502
Shaftnut - - - - -	1	40654	40654	40654	40654
Lockwasher- - - - -	1	625948	625948	625948	625948
Shaft spacer - - - - -	1	1089573	---	1345348	1253336
Snap ring- - - - -	1	---	648392	648392	---
Terminal insulating bushing- - - - -	1	683358	---	---	960162
Terminal nut - - - - -	*	43761	43761	43761	43761
Lockwasher- - - - -	*	120380	131098	120380	120380
Plainwasher - - - - -	*	120392	120387	120387	120392
Terminal stud- - - - -	1	958354	1253349	1253349	958354
Terminal insulating washer - - - - -	1	671477	1138481	1138481	671477
Terminal insulating washer-outer - - - - -	1	916587	---	---	---
<b>Generator Brush</b>					
Brush- - - - -	2	---	1253334	1253354	1253334
Brush set- - - - -	1	677175	1253367	1253367	1253341
Arm - commutator end head brush- - - - -	2	674936	673014	673014	674936
Spring - - - - -	2	674935	671490	671490	960173
Lead screw - - - - -	*	122159	122159	122159	122159
Lock washer - - - - -	*	121841	121841	121841	121841
<b>Generator Commutator End Parts</b>					
Head assembly- - - - -	1	1262932	1266494	1253353	1253333
Head assembly - partial- - - - -	1	---	1266498	1253358	---
Bearing- - - - -	1	602454	1253359	1253359	1253335
Retaining screw - - - - -	1	674929	---	---	674929
Lockwasher - - - - -	1	---	---	---	131098
Retaining washer- - - - -	1	674927	---	---	674927
Cover- - - - -	1	674932	1266495	1253356	960169
Gasket- - - - -	1	674931	---	1253355	960170
Screw - - - - -	*	132105	---	131958	132133
Lockwasher - - - - -	*	120217	---	121841	120217
Plainwasher - felt retaining - - - - -	1	674928	---	---	960168
Felt washer- - - - -	1	---	---	---	960171
Felt wick- - - - -	1	674930	1266497	1253357	---
Oiler- - - - -	1	---	113702	113702	113702
<b>Generator Cover Band</b>					
Band - - - - -	1	674944	1266502	674944	1136568
Screw - - - - -	1	132930	---	132930	132930
Nut- - - - -	1	120614	---	120614	120614

Indicates amount used as required.

† Indicates parts included in packages.

**GROUP 8 - ELECTRICAL**

GENERATOR COMPONENT PARTS - (Cont'd)	QTY.	1194650 Assy.	1257392 Assy.	1136934 Assy.	1136931 Assy.
<b>Generator Drive End Parts</b>					
Head assembly - - - - -	1	594372	1266500	1253361	1253338
Head - - - - -	1	594373	1266501	1253366	1253339
Ball bearing - - - - -	1	602454	602454	602454	965325
Retainer - - - - -	1	648395	1253364	1253364	655999
Screw - - - - -	*	132900	132900	1269238	132900
Lockwasher - - - - -	*	120217	120217	120217	120217
Gasket - - - - -	1	---	1253362	1253362	---
Felt washer - - - - -	2	674939	636815	636815	659504
Felt washer - outer - - - - -	1	674943	---	---	---
Retainer - inner - - - - -	1	674941	1253363	1253363	659502
Retainer - outer - - - - -	1	674942	1253365	1253365	1253340
Oiler - - - - -	1	113702	113702	113702	113702
<b>Generator Field Coil</b>					
Assembly - complete - - - - -	1	860919	1266492	---	1253328
Coil - right - - - - -	1	1189547	1266493	1253352	1253331
Coil - left - - - - -	1	916592	1266527	1253351	1253329
Lead assembly - arm. term. to brush - - - - -	1	1252931	1253350	1262931	1253330
Terminal - to brush lead - - - - -	1	1089580	1089580	1089580	114037
Terminal - lead - - - - -	1	---	1383661	1383661	---
<b>Generator Field Terminal</b>					
Stud - - - - -	1	953732	1253348	1253348	953732
Nut - - - - -	2	120614	120614	120614	120614
Lockwasher - - - - -	2	120217	120217	120217	120217
Plainwasher - - - - -	1	120391	1253345	1253345	120391
Stud insulation - inner - - - - -	1	688016	---	---	---
Stud insulation - inner - - - - -	1	688015	---	---	1253332
Insulating bushing - - - - -	1	683357	1253346	1253346	960161
Insulating washer - - - - -	1	671481	1253344	1253344	671481
<b>Generator Frame Parts</b>					
Dowel pin - frame and field - - - - -	2	112006	112006	112006	112006
Thru - bolt - - - - -	2	1253343	673009	1253343	1253327
Lockwasher - - - - -	2	120214	131098	120214	120382
Field connection insulation - - - - -	1	636779	---	636779	960160
<b>Generator Ground Screw</b>					
Screw - - - - -	1	132900	132900	132900	132900
Lockwasher - - - - -	2	120217	120217	120217	120217
<b>Generator Pole Piece Shoe</b>					
Screw - - - - -	*	674919	859901	674919	674919

PART NAME	PART NO.	MODEL CODES											
		DG AND FO					DH AND FP						
		1	2	3	4	5	6	1	2	4	5	6	7
<b>GROUP 8-C BATTERY CABLES</b>													
<b>Battery Ground Cable</b>													
Assembly - - - - -	687782	1	1	..	..	..	..	1	1	..	..	..	..
Assembly - - - - -	687779	..	..	1	1	1	1	..	..	1	1	1	1
Terminal - - - - -	151322	1	1	1	1	1	1	1	1	1	1	1	1
Bolt - - - - -	663219	1	1	1	1	1	1	1	1	1	1	1	1
Nut - - - - -	663220	1	1	1	1	1	1	1	1	1	1	1	1
Washer - felt - positive terminal - - - - -	687975	1	1	1	1	1	1	1	1	1	1	1	1
Bolt - to frame - - - - -	121615	..	..	1	1	1	1	..	..	1	1	1	1
Nut - - - - -	120369	1	1	1	1	1	1	1	1	1	1	1	1
Lockwasher - - - - -	120382	1	1	1	1	1	1	1	1	1	1	1	1

Indicates amount used as required.

† Indicates parts included in packages.

**GROUP 8 - ELECTRICAL**

PART NAME	PART NO.	MODEL CODES										
		DG AND FO					DH AND FP					
		1	2	3	4	5	6	1	2	4	5	6
<b>GROUP 8-C BATTERY CABLES - (Cont'd)</b>												
<b>Battery To Starter Cable</b>												
Assembly - - - - -	1267383	1	1	1	1	1	1	1	1	1	1	1
Bolt - - - - -	663219	1	1	1	1	1	1	1	1	1	1	1
Nut - - - - -	663220	1	1	1	1	1	1	1	1	1	1	1
<b>GROUP 8-D STARTER</b>												
<b>Starter</b>												
Assembly - - - - -	1268125	1	1	1	1	..	..	1	1	..	..	..
Assembly - - - - -	1268126	..	..	..	..	1	1	..	..	1	1	1
Screw - mounting - - - - -	122267	2	2	2	2	2	2	2	2	2	2	2
Lockwasher - - - - -	120383	2	2	2	2	2	2	2	2	2	2	2

STARTER COMPONENT PARTS	QTY.	1268125 Assy.	1268126 Assy.
<b>Starter Clutch</b>			
Assembly - - - - -	1	1343708	1343708
Snap ring - - - - -	1	1343707	1343707
Retainer - - - - -	1	1343706	1343706
<b>Starter Pinion Housing</b>			
Assembly - - - - -	1	1390063	1390064
Bearing - - - - -	1	636845	636845
<b>Starter Yoke</b>			
Assembly - - - - -	1	1390062	1390062
Pin - - - - -	1	1343710	1343710
Cotter pin - - - - -	1	103373	103373
<b>Starter Motor Frame</b>			
Through bolt - - - - -	2	1300503	1300503
Lockwasher - - - - -	2	131098	131098
Dowel pin - - - - -	2	636789	636789
<b>Starter Field Coil</b>			
Field coil - left - - - - -	1	1390059	---
Field coil - right - - - - -	1	1390060	---
Field coil - upper left - - - - -	1	---	636833
Field coil - upper right - - - - -	1	---	1265712
Field coil - lower left - - - - -	1	---	643831
Field coil - lower right - - - - -	1	---	643830
<b>Starter Field Connection</b>			
Insulation - - - - -	1	643823	1315965
<b>Starter Pole Piece (Shoe)</b>			
Screw - - - - -	4	859901	859901
<b>Starter Commutator End Head</b>			
Assembly - - - - -	1	1138525	1300516
Felt - - - - -	1	636840	636840
<b>Starter Cover Band</b>			
Band - - - - -	1	1345000	1345000

Indicates amount used as required.

∇ Indicates parts included in packages.

## GROUP 8 - ELECTRICAL

8-15

STARTER COMPONENT PARTS - (Cont'd)	QTY.	1268125 Assy.	1268126 Assy.
<b>Starter Armature</b>			
Assembly - - - - -	1	1343705	1343705
Spacer- - - - -	1	1369644	1369644
Thrust washer - drive end - - - - -	1	641444	641444
Thrust washer - .031- - - - -	*	641446	641446
Thrust washer - .047- - - - -	*	672641	672641
Thrust washer - - - - -	*	1369645	1369645
<b>Starter Brush</b>			
Set- - - - -	1	1345005	1345005
Brush - insulated- - - - -	2	687374	687374
Spring- - - - -	2	636841	636841
Screw - ground - - - - -	2	132900	132900
Lockwasher - - - - -	1	120217	120217
<b>Starter Terminal Post Or Stud</b>			
Stud - - - - -	1	636822	643829
Bushing - insulation- - - - -	1	636825	636825
Washer - insulation - - - - -	1	1390057	1390057
Nut- - - - -	1	134566	134566
Lockwasher - - - - -	1	120382	120382
<b>Starter Switch</b>			
Assembly - - - - -	1	1390061	1390061
Screw - mounting- - - - -	2	121540	121540
Lockwasher - - - - -	2	138479	138479
Nut - terminal- - - - -	1	134566	134566
Lockwasher - - - - -	1	120382	120382
Insulation - contact- - - - -	1	636828	636828
Insulation - contact- - - - -	1	1136566	1136566
Contact - lower - - - - -	1	643837	643837

PART NAME	PART NO.	MODEL CODES										
		DG AND FO					DH AND FP					
		1	2	3	4	5	6	1	2	4	5	6
<b>GROUP 8-D STARTER - (Cont'd)</b>												
<b>Starter Pedal</b>												
Assembly - - - - -	1265130	1	1	1	1	1	1	1	1	1	1	1
Bolt - pedal bracket- - - - -	123461	3	3	3	3	3	3	3	3	3	3	3
Nut- - - - -	120367	3	3	3	3	3	3	3	3	3	3	3
Plainwasher- - - - -	120392	3	3	3	3	3	3	3	3	3	3	3
Lockwasher - - - - -	120380	3	3	3	3	3	3	3	3	3	3	3
Button - pedal - - - - -	699482	1	1	1	1	1	1	1	1	1	1	1
<b>GROUP 8-E DISTRIBUTOR</b>												
<b>Distributor</b>												
Assembly - (Vendor's No. 1AT-4012A)- - - - -	1343993	1	..	..	..	..	..	1	..	..	..	..
Assembly - (Vendor's No. 1AY-4001A-1)- - - - -	1271145	..	1	..	..	..	..	..	1	..	..	..
Assembly - (Vendor's No. 1AY-4004B-1)- - - - -	1391176	..	1	..	..	..	..	..	1	..	..	..
Assembly - (Vendor's No. 1AY-4004A-1) also with Exp. cylinder head 1329297- - - - -	1274107	..	1	..	..	..	..	..	1	..	..	..
Assembly - (Vendor's No. 1AY-4004-1) - - - - -	1274116	..	..	1	1	1	1	..	..	1	1	1
Assembly - (Vendor's No. 1AY-4001-1) - - - - -	1271146	..	..	1	1	1	1	..	..	1	1	1
Nut - terminal- - - - -	120614	1	1	1	1	1	1	1	1	1	1	1
Lockwasher - - - - -	120217	1	1	1	1	1	1	1	1	1	1	1
Retainer- - - - -	41928	1	1	1	1	1	1	1	1	1	1	1
Screw - lock plate hold down- - - - -	132259	1	1	1	1	1	1	1	1	1	1	1
Nut- - - - -	121753	1	1	1	1	1	1	1	1	1	1	1
Plainwasher- - - - -	120392	1	1	1	1	1	1	1	1	1	1	1

Indicates amount used as required.

† Indicates parts included in packages.

**GROUP 8 - ELECTRICAL**

DISTRIBUTOR COMPONENT PARTS	QTY.	1343993 Assy.	1391176 Assy.	1271145 Assy.	1274107 Assy.	1271146 Assy.	1274116 Assy.
<b>Distributor cap</b>							
Assembly- - - - -	1	1343576	1343576	1343576	1343576	1343576	1343576
Contact plunger- - - - -	1	1195772	1195772	1195772	1195772	1195772	1195772
Spring- - - - -	1	1308183	1308183	1308183	1308183	1308183	1308183
Clamp spring assy. - - - - -	2	648404	648404	648404	648404	648404	648404
Screw - - - - -	2	121832	121832	121832	121832	121832	121832
Lockwasher- - - - -	2	121841	121841	121841	121841	121841	121841
<b>Distributor base</b>							
Assembly- - - - -	1	1345223	1390531	1274091	1390531	1274091	1390531
Absorbent bronze bearing - - -	2	643906	643906	643906	643906	643906	643906
Felt wick- - - - -	1	953714	958177	953714	958177	953714	958177
Oiler- - - - -	1	953717	953717	953717	953717	953717	953717
<b>Distributor breaker plate</b>							
Assembly- - - - -	1	1343578	---	---	---	---	---
Plate- - - - -	1	1345484	1274090	1274090	1274090	1274090	1274090
Screw- attaching- - - - -	2	121832	121832	121832	121832	121832	121832
Lockwasher- - - - -	2	121841	121841	121841	121841	121841	121841
Condenser- - - - -	1	1343580	1274086	1274086	1274086	1274086	1274086
Screw - attaching- - - - -	*	131870	131870	131870	131870	131870	131870
Lockwasher- - - - -	*	131044	131044	1089583	131044	1089583	131044
Lead assembly - ground - - - -	1	1343583	---	---	---	---	---
Lead assembly - primary- - - -	1	1343582	---	---	---	---	---
Contact lead washer- - - - -	1	1343593	---	---	---	---	---
Lead Screw - 3/16" - - - - -	1	131949	---	---	---	---	---
Lead Screw - 1/4"- - - - -	1	131954	---	---	---	---	---
Lockwasher- - - - -	1	121841	---	---	---	---	---
Bushing Insulation - lead- - -	1	1343591	1274087	1274087	1274087	1274087	1274087
Stud insulation washer - lead-	1	1369774	1369774	1369774	648401	1369774	1369774
Breaker point set- - - - -	1	1343581	1274092	1274092	1274092	1274092	1274092
Screw - spring clamp-or bracket	1	1343594	131949	131949	131949	131949	131949
Plainwasher - - - - -	1	131014	131015	131015	131015	131015	131015
Terminal - - - - -	1	1343592	1274093	1274093	1274093	1274093	1274093
Insulation- - - - -	1	1343585	1274088	1274088	1274088	1274088	1274088
Nut - - - - -	*	120614	120614	120614	120614	120614	120614
Lockwasher- - - - -	*	120217	120217	120217	120217	120217	120217
Plainwasher - - - - -	1	120385	120385	120385	120385	120385	120385
Spacer- - - - -	1	---	1274089	1274089	1274089	1274089	1274089
<b>Distributor shaft and governor</b>							
Shaft - - - - -	1	1343994	1390543	1269131	1390543	1269131	1390543
Collar - - - - -	1	643903	643903	643903	643903	643903	643903
Rivet- - - - -	1	636899	636899	636899	636899	636899	636899
Thrust Washer - upper - inner-	1	1195769	1195769	1195769	1195769	1195769	1195769
Thrust Washer - upper - outer-	1	1195770	1195770	1195770	1195770	1195770	1195770
Thrust washer - lower- - - - -	1	643892	643892	643892	643892	643892	643892
Weight - - - - -	2	1271768	1383640	643917	1271768	643917	1271768
Weight spring set - - - - -	1	674959	1308182	674959	674959	1067297	1067297
Rotor - - - - -	1	1343587	1343587	1343587	1343587	1343587	1343587
Cam and stop plate- - - - -	1	1343995	921275	859907	859907	859907	859907
Snap ring- - - - -	1	643893	643893	643893	643893	643893	643893
Sleeve-felt- - - - -	1	643899	643899	643899	643899	643899	643899
Spacer - - - - -	1	859903	859903	859903	859903	859903	859903
Advance arm - (Lock plate)- - -	1	866069	866069	866069	866069	866069	866069
Screw- - - - -	1	121900	121900	121900	121900	121900	121900
Lockwasher- - - - -	1	131098	131098	131098	131098	131098	131098
Plainwasher - - - - -	1	120392	120392	120392	120392	120392	120392
Pointer- - - - -	1	---	866449	866449	866449	866449	866449
<b>Distributor vacuum chamber</b>							
Assembly- - - - -	1	1345413	---	---	---	---	---
Screw- - - - -	2	132096	---	---	---	---	---
Lockwasher- - - - -	4	138479	---	---	---	---	---
Lock ring - - - - -	1	643901	---	---	---	---	---
Plug- - - - -	1	1345705	---	---	---	---	---
Washer - .010" thick- - - - -	*	691708	---	---	---	---	---
Washer - .032" thick- - - - -	*	691709	---	---	---	---	---
Washer - .065" thick- - - - -	*	691710	---	---	---	---	---
Spring - - - - -	1	691716	---	---	---	---	---

\*Indicates amount used as required.

†Indicates parts included in packages.



**GROUP 8 - ELECTRICAL**

PART NAME	PART NO.	MODEL CODES											
		DG AND FO					DH AND FP						
		1	2	3	4	5	6	1	2	4	5	6	7
<b>GROUP 8-F IGNITION COIL - WIRING - LOCK SWITCH AND KEYS - SPARK PLUGS</b>													
<b>Ignition Coil</b>													
Assembly - Note 1 - - - - -	1300667	1	1	1	1	1	1	..	..	..	..	..	..
Assembly - Note 2 - - - - -	1383838	1	1	1	1	1	1	1	1	1	1	1	1
Nut - mounting - - - - -	120367	2	2	2	2	2	2	2	2	2	2	2	2
Lockwasher- - - - -	121753	2	2	2	2	2	2	2	2	2	2	2	2
Nut - terminal - - - - -	120614	2	2	2	2	2	2	2	2	2	2	2	2
Lockwasher- - - - -	138479	2	2	2	2	2	2	2	2	2	2	2	2
<b>Ignition Cable Tube And Coil Mounting Bracket</b>													
Assembly - Note 1 - - - - -	1092857	1	1	1	1	1	1	..	..	..	..	..	..
Assembly - Note 2 - - - - -	1274097	1	1	1	1	1	1	1	1	1	1	1	1
Stud - to engine - - - - -	103171	1	1	1	1	1	1	1	1	1	1	1	1
Nut - - - - -	120368	2	2	2	2	2	2	2	2	2	2	2	2
Lockwasher- - - - -	138486	2	2	2	2	2	2	2	2	2	2	2	2
<b>Ignition Coil Lock Switch And Housing</b>													
Assembly- - - - -	1193348	1	1	1	1	1	1	1	1	1	1	1	1
Nut - terminal - - - - -	120614	3	3	3	3	3	3	3	3	3	3	3	3
Lockwasher- - - - -	138479	3	3	3	3	3	3	3	3	3	3	3	3
Nut - mounting - - - - -	1194631	1	1	1	1	1	1	1	1	1	1	1	1
<b>Ignition Lock Switch Cylinder And Key Package</b>													
Package - - - - -	1193360	1	1	1	1	1	1	1	1	1	1	1	1
Key - cut - - - - -	1158623	2	2	2	2	2	2	2	2	2	2	2	2
Key - blank - - - - -	1233112	2	2	2	2	2	2	2	2	2	2	2	2
<b>Ignition Cable Ring And Grommet</b>													
Ring - Note 2 - - - - -	1274099	1	1	1	1	1	1	1	1	1	1	1	1
Grommet - Note 2- - - - -	1274098	2	2	2	2	2	2	2	2	2	2	2	2
<b>Ignition Coil Cable - Primary</b>													
Cable - specify length required - - - - -	211318	*	*	*	*	*	*	*	*	*	*	*	*
Cable - 100 ft. spool - 16 gauge blue - -	830810	*	*	*	*	*	*	*	*	*	*	*	*
<b>Ignition Coil Cable - Secondary</b>													
Cable - specify length required - - - - -	1109243	*	*	*	*	*	*	*	*	*	*	*	*
Cable - 100 ft. spool - 16 gauge black- -	830809	*	*	*	*	*	*	*	*	*	*	*	*
<b>Ignition Cable Terminals, Nipples, and Sleeves</b>													
Terminal - primary cable - coil end - - -	200393	*	*	*	*	*	*	*	*	*	*	*	*
Sleeve - - - - -	926026	*	*	*	*	*	*	*	*	*	*	*	*
Terminal - primary cable - distributor end	200156	*	*	*	*	*	*	*	*	*	*	*	*
Terminal - secondary cable- - - - -	676872	*	*	*	*	*	*	*	*	*	*	*	*
Sleeve- - - - -	1345631	*	*	*	*	*	*	*	*	*	*	*	*
Washer- - - - -	1345632	*	*	*	*	*	*	*	*	*	*	*	*
Nipple - rubber - secondary cable - - - -	150834	*	*	*	*	*	*	*	*	*	*	*	*
<b>Ignition Cable Set</b>													
Set - - - - -	1243798	1	1	1	1	1	1	1	1	1	1	1	1
<b>Spark Plug Package</b>													
Package (incl. gasket) - resistor type- -	1345906	6	6	..	..	..	..	6	6	..	..	..	..
Package (incl. gasket) - resistor type- -	1257587	..	..	6	6	6	6	..	..	6	6	6	6

Indicates amount used as required.

† Indicates parts included in packages.

**GROUP 8 - ELECTRICAL**

PART NAME	PART NO.	MODEL CODES											
		DG AND FO					DH AND FP						
		1	2	3	4	5	6	1	2	4	5	6	7
<b>GROUP 8-F IGNITION COIL - WIRING- LOCK SWITCH AND KEYS - SPARK PLUGS - (Cont'd)</b>													
<b>Spark Plug Packages - (Cont'd)</b>													
Gasket - - - - -	†889576	6	6	6	6	6	6	6	6	6	6	6	6
Package of 6 spark plug covers - - - -	1321284	1	1	1	1	1	1	1	1	1	1	1	1
<b>Spark Plug Terminals And Nipples</b>													
Terminal - spark plug end - - - - -	1122042	6	6	6	6	6	6	6	6	6	6	6	6
Terminal - distributor end- - - - -	676872	6	6	6	6	6	6	6	6	6	6	6	6
Nipple - distributor end- - - - -	150834	6	6	6	6	6	6	6	6	6	6	6	6
<b>Spark Plug Cable - 100 Ft. Spool</b>													
Cable - black - 16 gauge- - - - -	830809	*	*	*	*	*	*	*	*	*	*	*	*
<b>GROUP 8-G INSTRUMENT HOUSING - RADIO SPEAKER GRILLE</b>													
<b>Instrument Housing - Except Flat Face Cowl</b>													
Assembly- - - - -	1390545	1	1	1	1	1	1	1	1	1	1	1	1
Gasket - instrument housing- - - - -	1272331	1	1	1	1	1	1	1	1	1	1	1	1
Screw - instrument housing - - - - -	122159	8	8	8	8	8	8	8	8	8	8	8	8
Bezel - - - - -	1272326	1	1	1	1	1	1	1	1	1	1	1	1
Gasket - - - - -	1272327	1	1	1	1	1	1	1	1	1	1	1	1
Screw - mounting - - - - -	163217	2	2	2	2	2	2	2	2	2	2	2	2
Eyelet- - - - -	1262313	2	2	2	2	2	2	2	2	2	2	2	2
Plate - - - - -	1272329	1	1	1	1	1	1	1	1	1	1	1	1
Glass - dial- - - - -	1272328	1	1	1	1	1	1	1	1	1	1	1	1
Insulating cup - instrument mounting screw	939548	4	4	4	4	4	4	4	4	4	4	4	4
<b>Instrument Housing - Flat Face Cowl Only</b>													
Assembly- - - - -	1262336	1	1	1	1	1	1	1	1	1	1	1	1
Gasket - instrument housing- - - - -	1262312	1	1	1	1	1	1	1	1	1	1	1	1
Screw - instrument housing - - - - -	122159	8	8	8	8	8	8	8	8	8	8	8	8
Bezel - - - - -	1195748	1	1	1	1	1	1	1	1	1	1	1	1
Gasket - - - - -	1195749	1	1	1	1	1	1	1	1	1	1	1	1
Screw - bezel mounting - - - - -	163217	2	2	2	2	2	2	2	2	2	2	2	2
Eyelet- - - - -	1262313	2	2	2	2	2	2	2	2	2	2	2	2
Plate - - - - -	1272373	1	1	1	1	1	1	1	1	1	1	1	1
Gasket - - - - -	1195751	1	1	1	1	1	1	1	1	1	1	1	1
Glass - dial- - - - -	1195750	1	1	1	1	1	1	1	1	1	1	1	1
Insulating cup - instrument mounting screw	939548	3	3	3	3	3	3	3	3	3	3	3	3
<b>Radio Speaker Grille</b>													
Assembly- - - - -	1194655	1	1	1	1	1	1	1	1	1	1	1	1
Screw - mounting - - - - -	163217	4	4	4	4	4	4	4	4	4	4	4	4
Bezel- - - - -	1260775	1	1	1	1	1	1	1	1	1	1	1	1
<b>GROUP 8-H AMMETER</b>													
<b>Ammeter</b>													
Ammeter - with flat face cowl - - - - -	1272351	1	1	1	1	1	1	1	1	1	1	1	1
Ammeter - exc. flat face cowl - - - - -	1271229	1	1	1	1	1	1	1	1	1	1	1	1
Nut - terminal - - - - -	120614	2	2	2	2	2	2	2	2	2	2	2	2
Lockwasher- - - - -	138479	2	2	2	2	2	2	2	2	2	2	2	2

† Indicates amount used as required.

‡ Indicates parts included in packages.

# GROUP 8 - ELECTRICAL

PART NAME	PART NO.	MODEL CODES											
		DG AND FO					DH AND FP						
		1	2	3	4	5	6	1	2	4	5	6	7
<b>GROUP 8-I CHASSIS WIRING AND BODY WIRING</b>													
<p><b>SPECIAL NOTE:</b> For a more practical and economical method of servicing car wiring, only the more complicated assemblies are stocked for service. These will be found listed in their respective groups. On the more simple assemblies the required length and size of cable by the foot plus the necessary terminals, etc. should be ordered.</p>													
<b>Chassis Wiring</b>													
Assembly - except panel - L.H.D. - - - - -	1260802	1	..	..	..	..	..	1	..	..	..	..	..
Assembly - panel - L.H.D. - - - - -	1260803	1	..	..	..	..	..	1	..	..	..	..	..
Assembly - R.H.D. - - - - -	1262380	1	1	..	..	..	..	1	1	..	..	..	..
Assembly - 116" W.B. - L.H.D. - - - - -	1260803	..	1	..	..	..	..	..	..	..	..	..	..
Assembly - 116" W.B. - R.H.D. - - - - -	1262382	..	1	..	..	..	..	..	..	..	..	..	..
Assembly - 126" - 128" W.B. - L.H.D. - - - - -	1260802	..	1	1	1	1	1	..	1	1	1	1	1
Assembly - 140" - 152" W.B. - L.H.D. - - - - -	1260806	..	..	1	1	1	1	..	..	1	1	1	1
Assembly - 170" W.B. - L.H.D. - - - - -	1260808	..	..	..	1	1	1	..	..	..	1	1	1
Assembly - 192" - 212" W.B. - L.H.D. - - - - -	1260810	..	..	..	1	..	1	..	..	..	..	..	..
Assembly - 192" - 212" W.B. - R.H.D. - - - - -	1262389	..	..	..	1	..	1	..	..	..	..	..	..
Assembly - 128" - 140" - 152" - 170" W.B. - R.H.D. - - - - -	1262387	..	..	1	1	1	1	..	..	1	1	1	..
<b>Body Wiring</b>													
Assembly - L.H.D. - flat face cowl - - - - -	1195760	1	1	1	1	1	1	1	1	1	1	1	1
Assembly - L.H.D. - except flat face cowl - - - - -	1390093	1	1	1	1	1	1	1	1	1	1	1	1
Assembly - R.H.D. - flat face cowl - - - - -	1260825	1	1	1	1	1	1	1	1	1	1	1	..
Assembly - R.H.D. - except flat face cowl - - - - -	1390092	1	1	1	1	1	1	1	1	1	1	1	..
<b>Chassis Wiring Cable - Specify Length Required</b>													
No. 10 - black - - - - -	665140	*	*	*	*	*	*	*	*	*	*	*	*
No. 12 - red - - - - -	385571	*	*	*	*	*	*	*	*	*	*	*	*
No. 14 - green - - - - -	385573	*	*	*	*	*	*	*	*	*	*	*	*
No. 16 - blue-black - - - - -	211318	*	*	*	*	*	*	*	*	*	*	*	*
No. 16 - horn cable - - - - -	868127	*	*	*	*	*	*	*	*	*	*	*	*
<b>Chassis Wiring Cable - 100 Ft. Spool</b>													
No. 10 - black - - - - -	830814	*	*	*	*	*	*	*	*	*	*	*	*
No. 12 - red - - - - -	830813	*	*	*	*	*	*	*	*	*	*	*	*
No. 14 - green - - - - -	830812	*	*	*	*	*	*	*	*	*	*	*	*
No. 16 - blue-black - - - - -	830810	*	*	*	*	*	*	*	*	*	*	*	*
No. 16 - horn cable - - - - -	1150926	*	*	*	*	*	*	*	*	*	*	*	*
<b>Chassis Wiring Terminals</b>													
Terminal - spade straight type - #10 hole - #14 - #16 wire - - - - -	200394	*	*	*	*	*	*	*	*	*	*	*	*
Terminal - eyelet side type - 1/4" hole - single wire - - - - -	200286	*	*	*	*	*	*	*	*	*	*	*	*
Terminal - eyelet straight type - #6 hole - single wire - - - - -	200001	*	*	*	*	*	*	*	*	*	*	*	*
Terminal - spade straight type - 13/64" hole - #10 - #12 wire - - - - -	200393	*	*	*	*	*	*	*	*	*	*	*	*
Terminal - eyelet side type - 13/64" hole - single wire - - - - -	200156	*	*	*	*	*	*	*	*	*	*	*	*
Terminal - eyelet straight type - 3/8" hole - single wire - - - - -	200019	*	*	*	*	*	*	*	*	*	*	*	*
Terminal - eyelet type - double wire - - - - -	200052	*	*	*	*	*	*	*	*	*	*	*	*
Terminal - plug type - single wire - - - - -	665151	*	*	*	*	*	*	*	*	*	*	*	*
Terminal - connector type - single wire - - - - -	870821	*	*	*	*	*	*	*	*	*	*	*	*

† Indicates amount used as required.

‡ Indicates parts included in packages.

**GROUP 8 - ELECTRICAL**

PART NAME	PART NO.	MODEL CODES											
		DG AND FO					DH AND FP						
		1	2	3	4	5	6	1	2	4	5	6	7
<b>GROUP 8-I CHASSIS WIRING AND BODY WIRING - (Cont'd)</b>													
<b>Chassis Wiring Terminal Sleeves</b>													
Sleeve - 1" length - single - - - - -	926026	*	*	*	*	*	*	*	*	*	*	*	*
Sleeve - 1" length - with two wire terminal	930304	*	*	*	*	*	*	*	*	*	*	*	*
<b>Chassis Wire Connector</b>													
Connector - single- - - - -	611898	*	*	*	*	*	*	*	*	*	*	*	*
Connector - triple- - - - -	657560	*	*	*	*	*	*	*	*	*	*	*	*
<b>GROUP 8-J INSTRUMENT AND SPEEDOMETER LAMPS</b>													
<b>Instrument Panel Lamp</b>													
Socket- - - - -	682198	3	3	3	3	3	3	3	3	3	3	3	3
Spring - - - - -	385532	3	3	3	3	3	3	3	3	3	3	3	3
Bushing- - - - -	657583	3	3	3	3	3	3	3	3	3	3	3	3
Contact- - - - -	657572	3	3	3	3	3	3	3	3	3	3	3	3
Bulb- - - - -	830336	2	2	2	2	2	2	2	2	2	2	2	2
<b>Speedometer Lamp Bulb</b>													
Bulb- - - - -	830336	1	1	1	1	1	1	1	1	1	1	1	1
<b>GROUP 8-K HEADLAMP SWITCH - INSTRUMENT LAMP SWITCH - DIMMER SWITCH</b>													
<b>Headlamp Switch</b>													
Assembly- - - - -	1260727	1	1	1	1	1	1	1	1	1	1	1	1
Knob (white lettered)- - - - -	1191532	1	1	1	1	1	1	1	1	1	1	1	1
Knob (black lettered)- - - - -	1107430	1	1	1	1	1	1	1	1	1	1	1	1
Nut - mounting - - - - -	1189496	1	1	1	1	1	1	1	1	1	1	1	1
Washer- - - - -	1194598	1	1	1	1	1	1	1	1	1	1	1	1
Nut - terminal - - - - -	120614	2	2	2	2	2	2	2	2	2	2	2	2
Lockwasher- - - - -	138479	2	2	2	2	2	2	2	2	2	2	2	2
Assembly - circuit breaker- - - - -	1239431	1	1	1	1	1	1	1	1	1	1	1	1
Assembly - headlamp switch to instrument panel light switch cable - 6" of #16 -	211318	1	1	1	1	1	1	1	1	1	1	1	1
Connector - to parking lamp - - - - -	611898	1	1	1	1	1	1	1	1	1	1	1	1
<b>Instrument Lamp Switch</b>													
Assembly- - - - -	1188451	1	1	1	1	1	1	1	1	1	1	1	1
Nut - mounting - - - - -	1189496	1	1	1	1	1	1	1	1	1	1	1	1
Washer- - - - -	1194598	1	1	1	1	1	1	1	1	1	1	1	1
Screw - terminal - - - - -	122159	2	2	2	2	2	2	2	2	2	2	2	2
Lockwasher- - - - -	138530	2	2	2	2	2	2	2	2	2	2	2	2
Knob - control (white lettered)- - - - -	1191536	1	1	1	1	1	1	1	1	1	1	1	1
Knob - control (black lettered)- - - - -	1107434	1	1	1	1	1	1	1	1	1	1	1	1
<b>Dimmer Switch</b>													
Assembly- - - - -	1384052	1	1	1	1	1	1	1	1	1	1	1	1
Screw - mounting - - - - -	120583	2	2	2	2	2	2	2	2	2	2	2	2
Lockwasher - - - - -	121753	2	2	2	2	2	2	2	2	2	2	2	2
<b>GROUP 8-L HEADLAMP</b>													
<b>Headlamp</b>													
Assembly - domestic - - - - -	1163891	2	2	2	2	2	2	2	2	2	2	2	2
Assembly - export - - - - -	1274077	2	2	2	2	2	2	2	2	2	2	2	2
Gasket - mounting- - - - -	1310488	2	2	2	2	2	2	2	2	2	2	2	2
Screw - mounting- - - - -	167947	16	16	16	16	16	16	16	16	16	16	16	16
Shell- - - - -	1154200	2	2	2	2	2	2	2	2	2	2	2	2

Indicates amount used as required.

† Indicates parts included in packages.

**GROUP 8 - ELECTRICAL**

PART NAME	PART NO.	MODEL CODES											
		DG AND FO					DH AND FP						
		1	2	3	4	5	6	1	2	4	5	6	7
<b>GROUP 8-L HEADLAMP - (Cont'd)</b>													
<b>Headlamp - (Cont'd)</b>													
Door assembly- - - - -	1239411	2	2	2	2	2	2	2	2	2	2	2	2
Screw retainer - - - - -	186575	2	2	2	2	2	2	2	2	2	2	2	2
Clip - retainer - - - - -	1310234	2	2	2	2	2	2	2	2	2	2	2	2
Sealed beam unit assembly - - - - -	1297667	2	2	2	2	2	2	2	2	2	2	2	2
Sealed beam unit assembly - export- - - - -	1274076	2	2	2	2	2	2	2	2	2	2	2	2
Socket assembly- - - - -	853781	2	2	2	2	2	2	2	2	2	2	2	2
Mounting seat assembly - - - - -	946940	2	2	2	2	2	2	2	2	2	2	2	2
Spring - - - - -	854798	4	4	4	4	4	4	4	4	4	4	4	4
Screw - adjusting - - - - -	865336	4	4	4	4	4	4	4	4	4	4	4	4
Nut - - - - -	865760	4	4	4	4	4	4	4	4	4	4	4	4
Ring - retaining- - - - -	946942	2	2	2	2	2	2	2	2	2	2	2	2
Screw- - - - -	224549	6	6	6	6	6	6	6	6	6	6	6	6
Cable and socket assembly - - - - -	1310738	2	2	2	2	2	2	2	2	2	2	2	2
Screw - ground - - - - -	132900	2	2	2	2	2	2	2	2	2	2	2	2
Nut - - - - -	120614	2	2	2	2	2	2	2	2	2	2	2	2
Lockwasher- - - - -	138479	2	2	2	2	2	2	2	2	2	2	2	2
Cable terminal block- - - - -	683995	1	1	1	1	1	1	1	1	1	1	1	1
Screw - mounting - - - - -	187058	4	4	4	4	4	4	4	4	4	4	4	4
Nut - - - - -	120614	6	6	6	6	6	6	6	6	6	6	6	6
Lockwasher- - - - -	138479	6	6	6	6	6	6	6	6	6	6	6	6
<b>Headlamp Beam Indicator And Jewel</b>													
Socket- - - - -	682198	1	1	1	1	1	1	1	1	1	1	1	1
Spring - - - - -	385532	1	1	1	1	1	1	1	1	1	1	1	1
Bushing- - - - -	657583	1	1	1	1	1	1	1	1	1	1	1	1
Contact- - - - -	657572	1	1	1	1	1	1	1	1	1	1	1	1
Bulb- - - - -	830335	1	1	1	1	1	1	1	1	1	1	1	1
<b>Headlamp And Parking Lamp Wiring</b>													
Cable - 42" of #12- - - - -	385571	1	1	1	1	1	1	1	1	1	1	1	1
Cable - 44" of #14- - - - -	385573	1	1	1	1	1	1	1	1	1	1	1	1
Cable - 45" of #16- - - - -	211318	1	1	1	1	1	1	1	1	1	1	1	1
Terminal- - - - -	200156	6	6	6	6	6	6	6	6	6	6	6	6
<b>GROUP 8-M PARKING LAMP</b>													
<b>Parking Lamp</b>													
Reflector assembly- - - - -	1272361	2	2	2	2	2	2	2	2	2	2	2	2
Door assembly - - - - -	1272364	2	2	2	2	2	2	2	2	2	2	2	2
Door assembly - - - - -	1501009	..	..	..	..	..	..	..	..	..	..	..	..
Lens - - - - -	1272363	2	2	2	2	2	2	2	2	2	2	2	2
Gasket - - - - -	1272362	2	2	2	2	2	2	2	2	2	2	2	2
Screw - door to reflector - - - - -	122159	2	2	2	2	2	2	2	2	2	2	2	2
Lockwasher- - - - -	121841	2	2	2	2	2	2	2	2	2	2	2	2
Screw - mounting- - - - -	155214	4	4	4	4	4	4	4	4	4	4	4	4
Spring - cable- - - - -	44758	2	2	2	2	2	2	2	2	2	2	2	2
Contact - cable - - - - -	657572	2	2	2	2	2	2	2	2	2	2	2	2
Insulator - cable - - - - -	684775	2	2	2	2	2	2	2	2	2	2	2	2
Bulb- - - - -	830337	2	2	2	2	2	2	2	2	2	2	2	2
<b>GROUP 8-N TAIL AND SIGNAL LAMP - SIGNAL LAMP SWITCH</b>													
<b>Tail And Signal Lamp - Except Panel</b>													
Assembly - use 2 for dual installation- -	1195670	1	1	1	1	1	1	1	1	1	1	1	1
Nut - mounting - - - - -	120375	2	2	2	2	2	2	2	2	2	2	2	2
Lockwasher- - - - -	121753	2	2	2	2	2	2	2	2	2	2	2	2
Shell - door - - - - -	628949	1	1	1	1	1	1	1	1	1	1	1	1
Screw - mounting- - - - -	378987	2	2	2	2	2	2	2	2	2	2	2	2
Lens - plain - - - - -	1195677	1	1	1	1	1	1	1	1	1	1	1	1
Gasket- - - - -	300133	1	1	1	1	1	1	1	1	1	1	1	1

Indicates amount used as required.

† Indicates parts included in packages.

**GROUP 8 - ELECTRICAL**

PART NAME	PART NO.	MODEL CODES											
		DG AND FO						DH AND FP					
		1	2	3	4	5	6	1	2	4	5	6	7
<b>GROUP 8-N TAIL AND SIGNAL LAMP - SIGNAL LAMP SWITCH - (Cont'd)</b>													
<b>Tail And Signal Lamp- Except Panel- (Cont'd)</b>													
Retainer - - - - -	300134	1	1	1	1	1	1	1	1	1	1	1	1
Lens - license plate- - - - -	300137	1	1	1	1	1	1	1	1	1	1	1	1
Gasket - - - - -	300138	1	1	1	1	1	1	1	1	1	1	1	1
Retainer - - - - -	300139	2	2	2	2	2	2	2	2	2	2	2	2
Screw- - - - -	133325	2	2	2	2	2	2	2	2	2	2	2	2
Cable - tail lamp - 22" of #16 - - - - -	211318	1	1	1	1	1	1	1	1	1	1	1	1
Cable - signal lamp - 22" of #16 - - - - -	211318	1	1	1	1	1	1	1	1	1	1	1	1
Terminal - left - - - - -	665151	2	2	2	2	2	2	2	2	2	2	2	2
Terminal - right- - - - -	916055	2	2	2	2	2	2	2	2	2	2	2	2
Insulator - cable contact - - - - -	1189541	1	1	1	1	1	1	1	1	1	1	1	1
Bracket - mounting - left - L.H.D. - express	1194605	1	1	..	..	..	..	1	1	..	..	..	..
Bracket - mounting - right - R.H.D.- express	1194604	1	1	..	..	..	..	1	1	..	..	..	..
Screw - - - - -	120228	2	2	..	..	..	..	2	2	..	..	..	..
"y" connector - for dual installation- - -	689867	2	2	..	..	..	..	2	2	..	..	..	..
Bulb - - - - -	830343	1	1	..	..	..	..	1	1	..	..	..	..
<b>Tail And Signal Lamp - Panel Only</b>													
Assembly - - - - -	1271218	2	..	..	..	..	..	2	..	..	..	..	..
Gasket - mounting - - - - -	1271221	2	..	..	..	..	..	2	..	..	..	..	..
Nut- - - - -	120367	8	..	..	..	..	..	8	..	..	..	..	..
Lockwasher - - - - -	174916	8	..	..	..	..	..	8	..	..	..	..	..
Housing assembly - - - - -	1271219	2	..	..	..	..	..	2	..	..	..	..	..
Door - - - - -	1271220	4	..	..	..	..	..	4	..	..	..	..	..
Screw - mounting- - - - -	155194	2	..	..	..	..	..	2	..	..	..	..	..
Lens and reflector assembly- - - - -	1272325	2	..	..	..	..	..	2	..	..	..	..	..
Gasket - lens - - - - -	1271222	2	..	..	..	..	..	2	..	..	..	..	..
Reflector assembly - - - - -	1244981	2	..	..	..	..	..	2	..	..	..	..	..
Gasket - reflector- - - - -	1244982	2	..	..	..	..	..	2	..	..	..	..	..
Socket assembly- - - - -	1154380	2	..	..	..	..	..	2	..	..	..	..	..
Spring- - - - -	44758	2	..	..	..	..	..	2	..	..	..	..	..
Cable - tail lamp and socket - 100" of #16	211318	2	..	..	..	..	..	2	..	..	..	..	..
Terminal- - - - -	665151	4	..	..	..	..	..	4	..	..	..	..	..
Insulator - - - - -	858245	2	..	..	..	..	..	2	..	..	..	..	..
Contact - - - - -	657572	4	..	..	..	..	..	4	..	..	..	..	..
Grommet - - - - -	117957	2	..	..	..	..	..	2	..	..	..	..	..
Socket and bracket assembly- - - - -	1154380	2	..	..	..	..	..	2	..	..	..	..	..
Screw - mounting- - - - -	122159	4	..	..	..	..	..	4	..	..	..	..	..
Lockwasher - - - - -	121841	4	..	..	..	..	..	4	..	..	..	..	..
Spring- - - - -	44758	2	..	..	..	..	..	2	..	..	..	..	..
Insulator - - - - -	858245	1	..	..	..	..	..	1	..	..	..	..	..
Bulb - - - - -	830343	1	..	..	..	..	..	1	..	..	..	..	..
<b>Signal Lamp Switch</b>													
Assembly - - - - -	677112	1	1	1	1	1	1	1	1	1	1	1	1
Clip - terminal - - - - -	677113	1	1	1	1	1	1	1	1	1	1	1	1
<b>GROUP 8-0 LICENSE LAMP - LICENSE BRACKET - TAIL LAMP AND LICENSE BRACKET ARM</b>													
<b>License Lamp - Panel Only</b>													
Housing and socket assembly- - - - -	1271158	1	..	..	..	..	..	1	..	..	..	..	..
Bracket mounting- - - - -	1271163	1	..	..	..	..	..	1	..	..	..	..	..
Screw- - - - -	132915	2	..	..	..	..	..	2	..	..	..	..	..
Lockwasher - - - - -	120217	2	..	..	..	..	..	2	..	..	..	..	..
Lockwasher - - - - -	138479	2	..	..	..	..	..	2	..	..	..	..	..
Screw - lamp mounting- - - - -	160541	2	..	..	..	..	..	2	..	..	..	..	..
Lockwasher - - - - -	120380	2	..	..	..	..	..	2	..	..	..	..	..
Lens - - - - -	1271162	1	..	..	..	..	..	1	..	..	..	..	..
Gasket- - - - -	1271161	1	..	..	..	..	..	1	..	..	..	..	..
Cable - license lamp - 42" of #16- - - - -	211318	1	..	..	..	..	..	1	..	..	..	..	..
Terminal- - - - -	665151	1	..	..	..	..	..	1	..	..	..	..	..
Insulator - - - - -	684775	1	..	..	..	..	..	1	..	..	..	..	..

Indicates amount used as required.

† Indicates parts included in packages.

**GROUP 8 - ELECTRICAL**

PART NAME	PART NO.	MODEL CODES											
		DG AND FO					DH AND FP						
		1	2	3	4	5	6	1	2	4	5	6	7
<b>GROUP 8-0 LICENSE LAMP - LICENSE BRACKET - TAIL LAMP AND LICENSE BRACKET ARM - (Cont'd)</b>													
<b>License Lamp - Panel Only - (Cont'd)</b>													
Contact - - - - -	657572	1	..	..	..	..	..	1	..	..	..	..	..
Spring- - - - -	44758	1	..	..	..	..	..	1	..	..	..	..	..
Bulb - - - - -	830337	1	..	..	..	..	..	1	..	..	..	..	..
<b>License Bracket - Tail Lamp And License Bracket Arm</b>													
License plate bracket- - - - -	1267834	1	1	1	1	1	..	1	1	1	1	..	..
Bracket arm - L.H.D. - - - - -	1271214	1	1	1	1	1	1	1	1	1	1	1	1
Bracket arm - R.H.D. - - - - -	1270538	..	..	..	..	..	1	..	..	..	..	1	..
Bolt - mounting - - - - -	123611	2	2	2	2	2	..	2	2	2	2	..	..
Nut- - - - -	120371	2	2	2	2	2	..	2	2	2	2	..	..
Lockwasher - - - - -	120384	2	2	2	2	2	..	2	2	2	2	..	..
<b>GROUP 8-P DOME LAMP</b>													
<b>Dome Lamp Lens And Bezel</b>													
Assembly - lens and bezel- - - - -	1193288	1	1	1	1	1	1	1	1	1	1	1	1
Base assembly - - - - -	1193291	1	1	1	1	1	1	1	1	1	1	1	1
Screw - mounting- - - - -	143152	2	2	2	2	2	2	2	2	2	2	2	2
Nut- - - - -	1262996	2	2	2	2	2	2	2	2	2	2	2	2
Clip - cable- - - - -	1263079	1	1	1	1	1	1	1	1	1	1	1	1
Bolt - - - - -	123316	1	1	1	1	1	1	1	1	1	1	1	1
Nut- - - - -	120367	1	1	1	1	1	1	1	1	1	1	1	1
Lockwasher - - - - -	120380	1	1	1	1	1	1	1	1	1	1	1	1
Assembly - switch and socket - - - - -	1193292	1	1	1	1	1	1	1	1	1	1	1	1
Cable - headlamp switch to dome lamp switch - except panel - 112" of #16- - - - -	211318	1	1	1	1	1	1	1	1	1	1	1	1
Cable - headlamp switch to dome lamp switch - panel - 104" of #16 - - - - -	211318	1	..	..	..	..	..	1	..	..	..	..	..
Terminal - - - - -	200006	1	1	1	1	1	1	1	1	1	1	1	1
Sleeve - - - - -	926025	1	1	1	1	1	1	1	1	1	1	1	1
Terminal - - - - -	870821	1	1	1	1	1	1	1	1	1	1	1	1
Sleeve - - - - -	870822	1	1	1	1	1	1	1	1	1	1	1	1
Cable - ground - 12" of #16 - - - - -	211318	1	1	1	1	1	1	1	1	1	1	1	1
Terminal - left - - - - -	200001	1	1	1	1	1	1	1	1	1	1	1	1
Terminal - right - - - - -	200006	1	1	1	1	1	1	1	1	1	1	1	1
Sleeve - - - - -	926025	2	2	2	2	2	2	2	2	2	2	2	2
Screw - cable to terminal - - - - -	143152	1	1	1	1	1	1	1	1	1	1	1	1
Bulb- - - - -	830339	1	1	1	1	1	1	1	1	1	1	1	1

**NOTES:**

---



---



---



---



---



---



---



---



---



---



---



---



---



---



---



---



---



---



---



---



---



---

Indicates amount used as required.

† Indicates parts included in packages.