

# 1951-53 TRUCK PARTS LIST

*E. A. Hagg*  
DODGE  
DG-DH  
SERIES

FARGO  
FO-FP  
SERIES



CHRYSLER CORPORATION OF CANADA LIMITED  
WINDSOR, ONT.

CHRYSLER CORPORATION OF CANADA (SALES) LIMITED  
REGINA, SASKATCHEWAN

FACTORY PARTS PLANT CHATHAM, ONTARIO

# TRUCK PARTS LIST

ISSUED  
DECEMBER 1952  
SUPERSEDES WM 4264

See Model Identification and Specification Chart  
Page 0-2

**NOTE:** All parts for SC-1, SC-2, SC-4, and SC-6 are the same as DG-1, DG-2, DG-4, and DG-6.  
All parts for SD-1, SD-2, SD-4, and SD-6 are the same as DH-1, DH-2, DH-4, and DH-6 except as listed.

<p><b>SCHEDULED PREPAID ORDERS</b></p>
<p>FOR QUICK REFERENCE ENTER YOUR PREPAID ORDER DATES HERE.</p>

	GROUPING
0.	Specifications and Indexes
1.	Accessories
2.	Axle—Front
3.	Axle—Rear
4.	Brake—Hand
5.	Brake—Service
6.	Clutch
7.	Cooling
8.	Electrical
9.	Engine
10.	Engine Oiling
11.	Exhaust
12.	Fenders
13.	Frame
14.	Fuel
15.	Hood
16.	Prop. Shaft
17.	Springs
18.	Standard Parts
19.	Steering
20.	Tools
21.	Transmission
22.	Wheels
23.	Cab Body
24.	Express Box

# GENERAL INFORMATION

## MODEL IDENTIFICATION AND SPECIFICATION CHART

### DODGE

Model Codes	Engine Symbol	Cylinder Bore	Cylinder Stroke	Piston Displacement	Capacity in Tons	Wheel Base	First Ser. Numbers	Last Ser. Numbers
DG-1	T307	3 $\frac{3}{8}$ "	4 $\frac{1}{8}$ "	218.06	$\frac{1}{2}$	108"	90,093,151	90,103,493
DH-1	T307	3 $\frac{3}{8}$ "	4 $\frac{1}{8}$ "	218.06	$\frac{1}{2}$	108"	90,103,501	
DG-2	T311	3 $\frac{3}{8}$ "	4 $\frac{1}{4}$ "	228	1	116" 126"	91,184,951	91,188,782
DH-2	T311	3 $\frac{3}{8}$ "	4 $\frac{1}{4}$ "	228	1	126"	91,188,801	
DG-3	T315	3 $\frac{7}{8}$ "	4 $\frac{1}{4}$ "	236.6	1 $\frac{1}{2}$	128" 152"	92,000,651	92,000,834
DG-4	TX315	3 $\frac{7}{8}$ "	4 $\frac{1}{4}$ "	236.6	2	128" 152" 170" 192"	93,003,301	93,005,102
DH-4	TX315	3 $\frac{7}{8}$ "	4 $\frac{1}{2}$ "	250.6	2	152"	93,005,201	
DG-5	T317	3 $\frac{7}{8}$ "	4 $\frac{1}{2}$ "	250.6	3	128" 152" 170"	93,251,001	93,252,563
DH-5	T317	3 $\frac{7}{8}$ "	4 $\frac{1}{2}$ "	250.6	3	152" 170"	93,252,601	
DG-6	T319	3 $\frac{7}{8}$ "	4 $\frac{1}{2}$ "	250.6	3 Spec.	128" 140" 152" 170" 212"	94,002,401	94,004,899
DH-6	T319	3 $\frac{7}{8}$ "	4 $\frac{3}{4}$ "	265	3 Heavy	128" 152" 170"	94,004,901	
DH-7	TX319	3 $\frac{7}{8}$ "	4 $\frac{3}{4}$ "	265	3 $\frac{1}{2}$	128" 152" 170"	94,250,001	

### FARGO

Model Codes	Engine Symbol	Cylinder Bore	Cylinder Stroke	Piston Displacement	Capacity in Tons	Wheel Base	First Ser. Numbers	Last Ser. Numbers
FO-1	T307	3 $\frac{3}{8}$ "	4 $\frac{1}{8}$ "	218.06	$\frac{1}{2}$	108"	90,512,551	90,522,063
FP-1	T307	3 $\frac{3}{8}$ "	4 $\frac{1}{8}$ "	218.06	$\frac{1}{2}$	108"	90,522,101	
FO-2	T311	3 $\frac{3}{8}$ "	4 $\frac{1}{4}$ "	228	1	116" 126"	91,506,451	91,509,591
FP-2	T311	3 $\frac{3}{8}$ "	4 $\frac{1}{4}$ "	228	1	126"	91,509,601	
FO-3	T315	3 $\frac{7}{8}$ "	4 $\frac{1}{4}$ "	236.6	1 $\frac{1}{2}$	128" 152"	92,500,701	92,500,915
FO-4	TX315	3 $\frac{7}{8}$ "	4 $\frac{1}{4}$ "	236.6	2	128" 152" 170" 192"	93,503,001	93,504,536
FP-4	TX315	3 $\frac{7}{8}$ "	4 $\frac{1}{2}$ "	250.6	2	152"	93,504,601	
FO-5	T317	3 $\frac{7}{8}$ "	4 $\frac{1}{2}$ "	250.6	3	128" 152" 170"	93,751,001	93,752,037
FP-5	T317	3 $\frac{7}{8}$ "	4 $\frac{1}{2}$ "	250.6	3	152" 170"	93,752,101	
FO-6	T319	3 $\frac{7}{8}$ "	4 $\frac{1}{2}$ "	250.6	3 Spec.	128" 140" 152" 170" 212"	94,501,701	94,503,130
FP-6	T319	3 $\frac{7}{8}$ "	4 $\frac{3}{4}$ "	265	3 Heavy	128" 152" 170"	94,503,201	
FP-7	TX319	3 $\frac{7}{8}$ "	4 $\frac{3}{4}$ "	265	3 $\frac{1}{2}$	128" 152" 170"	94,750,001	

INSTRUCTIONS FOR USE OF PARTS LIST

This parts list is supplied for your convenience in identifying, specifying, and ordering service replacement parts for the vehicles covered in this book. The arrangement of material and the use of this parts list is

explained in detail on this and the following pages. We suggest you review these pages thoroughly before using parts list.

INFORMATION

The information consolidated into this parts list covers Canadian Built vehicles and includes the following:

- PART NAME
- PART NUMBER
- MODEL APPLICATION
- QUANTITY USED PER VEHICLE

EFFECTIVE POINTS OF CHANGES BY TRUCK SERIAL NUMBER, ENGINE NUMBER OR BODY NUMBER.

NOTES NECESSARY FOR PROPER IDENTIFICATION OF PARTS.

PARTS PECULIAR TO RIGHT HAND DRIVE VEHICLES ARE INDICATED BY (RHD.)

ARRANGEMENT

All pages pertaining to a Major Group carry the same group number, such as "Engine --Group 9". Major Groups are broken down into Sub-Groups, which are numbered and lettered. The numbers used on the Sub-Groups are the same as the numbers of their respective Major Groups. The letters on the Sub-Groups are in alphabetical sequence in the Major Groups -- for example:

Major Group 9, which is Engine, has Sub-Groups 9-A, 9-B, 9-C. etc.

In the listing of part names a system of indentures is used to make the listing more compact and readable, for example "Group 14-G Fuel Gauge" is listed thus:

FUEL GAUGE

(1st Indenture)	Assembly - Panel Unit.....	1272353	1	1	1
(2nd Indenture)	Terminal Nut.....	120614	3	3	3
(3rd Indenture)	Lockwasher.....	138479	3	3	3

In reading the above the sub head "Fuel Gauge" is repeated when reading all lines, making the interpretation as follows:

Fuel gauge assembly - panel unit.....	1272353	1	1	1
Fuel gauge terminal nut.....	120614	3	3	3
Fuel gauge terminal nut lockwasher.....	138479	3	3	3

You will note the lockwasher is indented under Terminal Nut, therefore, in reading the nomenclature. Fuel Gauge Terminal Nut Lockwasher, the "Terminal Nut" is included in the nomenclature.

Attaching parts such as Bolts, Nuts and Lockwashers are not furnished with assemblies and should be ordered separately.

ILLUSTRATIONS

The illustrations included in this Parts List show the typical construction of the various assemblies and in all cases may not show the exact shape or detail of part required, however, these are for the purpose of identifying parts performing the same or similar function.

parts in the illustrations are shown below or opposite the picture and are keyed to the picture by reference number. Immediately following the part names will be found the number of the sub-group, in which these parts are listed.

Illustrations are included at the beginning of each major group. The correct names for

An index of illustration plate numbers will be found immediately preceding the alphabetical index.

## GENERAL INFORMATION

---

### PAGE NUMBERING

To facilitate locating parts, all pages are numbered in consecutive order by major groups, the page number showing first the major group number followed by the number of the

page in the group -- for example: Page 9-3, 9-4, 9-5, indicate: Group 9, page 3; Group 9, pages 4; Group 9, page 5.

### ALPHABETICAL INDEX

Quick reference to any important part by name is provided in the alphabetical index.

This index shows the number of the sub-group in which the parts are listed.

### NUMERICAL INDEX

Reference to any part number is provided in the numerical index. This index lists all part numbers in numerical sequence and shows the sub-group in which each part number is listed except numbers between 100,000 and

200,000 (standard parts). The listing of these will be found in Group 18. The numerical index does not show their location elsewhere.

### ORDERING TRIM MATERIAL

When ordering Trim material be sure to furnish the truck serial number. Trim material

is available in yardage or complete Trim Assemblies.

### ORDERING PAINTED SHEET METAL PARTS

Sheet metal parts which are supplied in "prime" should be painted locally.

When local painting facilities are not available, painted sheet metal parts may be ordered from Chrysler Corporation of Canada Limited, Part Division.

To order Painted parts specify "prime" part number and in the description column on the parts order enter the following: Paint and Packing Operation, also specify serial number.

### ORDERING PARTS BY MAIL

Service parts should be ordered on the Standard form (No. 5300 SP) which is supplied upon request by the CHRYSLER CORPORATION OF CANADA, Limited, Parts Division, Chatham, Ontario. Instructions for the use of this form will be found printed on the form. It is necessary to give truck serial number and body number when ordering painted parts.

All body parts should be ordered from the Chrysler Corporation of Canada, Limited, Parts Division, Chatham, Ont., or Chrysler Corporation of Canada (Sales), Limited, Regina, Saskatchewan.

Direct dealers east of Port Arthur, must send their parts orders to the Chrysler Corporation of Canada Limited, Parts Division, at Chatham, Ont., and those from Port Arthur, Ont., west, must send their parts orders to Chrysler Corporation of Canada, Sales, Limited at Regina, Saskatchewan.

Dealers, associate Dealers, and Service Stations in Canada must send their orders to the Distributor under whom they operate who will either fill the order from his own stock or forward the order, properly executed to the Chrysler Corporation of Canada Limited, Parts Division, Chatham, Ont., or Chrysler Corporation of Canada, (Sales), Limited, Regina, Saskatchewan.

---

ORDERING PARTS BY TELEGRAM

To simplify ordering service parts by telegraph, and to facilitate decoding these orders, the Standard code of "DAY OR NIGHT" has been adopted.

The "DAY OR NIGHT" code is translated as follows:

D A Y O R N I G H T  
1 2 3 4 5 6 7 8 9 0

The following utility codes are for use in giving shipping instructions on telegraphic orders, and for making telegraphic inquiries concerning parts order.

- FAABW Ship to us by air express
- FACAX Ship to us by air mail
- FAADY Ship to us by parcel post
- FACDA Ship to us by parcel post - special delivery
- FAAEZ Ship to us by express
- FAAFA Ship to us by freight
- FAAJE Ship to us by motor truck
- FAAKF We will call and pick up parts
- FAAMH Charge to our account and ship by air express to \_\_\_\_\_
- FACBY Charge to our account and ship by air mail to \_\_\_\_\_
- FAANI Charge to our account and ship by parcel post to \_\_\_\_\_
- FACFB Charge to our account and ship by parcel post \_\_\_\_\_ special delivery to \_\_\_\_\_
- FAAOJ Charge to our account and ship by express to \_\_\_\_\_
- FAASM Charge to our account and ship by freight to \_\_\_\_\_
- FAAWR Charge to our account and ship by motor truck to \_\_\_\_\_

- FAAYT Charge to our account and will be picked up by \_\_\_\_\_
- FABAW Ship by air express C.O.D. to \_\_\_\_\_
- FAC CZ Ship by air mail C.O.D. to \_\_\_\_\_
- FABCY Ship by parcel post C.O.D. to \_\_\_\_\_
- FACFC Ship by parcel post \_\_\_\_\_ special delivery C.O.D. to \_\_\_\_\_
- FABEA Ship by express C.O.D. to \_\_\_\_\_
- FABIE Ship by freight S.D.B.L. to \_\_\_\_\_
- FABLH Will call and pick up parts C.O.D.
- FABMI When and how did (or will) you ship our order of (or number)
- FABOK Cancel order for parts, our telegram of
- FABSM Cancel order for parts, our order number
- FAWDL Truck tied up - ship to us by Express
- GAIMO Ship to us by air cargo or air freight.

A sample "coded" telegram is given below as an example:

Chrysler Corporation of Canada, Limited,  
Parts Division, Chatham, Ont.

FAABW SIX EACH OANRA, DTYGAY, YDGHDR

Blank Motor Co.,  
Doeville, Ont.

When the above telegram is decoded it will be as follows:

Ship to us by air express

- 6-Front Axle I Beam Bushing lower - 42652
- 6-Front Axle I Beam Plug -103823
- 6-Steering Knuckle Arm, Right -318951

All telegraphic orders should be confirmed by mail on the standard parts order form, making specific reference to the telegram.

YOUR PARTS ORDERS

Your order will receive prompt handling and errors in processing will be reduced to a minimum if you will follow the instructions as outlined below.

1. Write orders legibly - preferably type-written.
2. List all Part Numbers in numerical sequence.
3. Specify shipping instructions.
4. See that all orders are properly signed.
5. All orders placed on Scheduled Prepaid basis must be mailed on specified dates and should show in the space for shipping instructions "Freight Prepaid."

6. Only one order number should be assigned to an order, regardless of the number of pages or class of material.
7. Check Parts Book to be sure that part number and name on your order agree.
8. When in doubt regarding a part number, be sure and specify truck serial number and motor number when ordering.
9. Give Truck serial number, plus body number when ordering painted parts and trim material. If possible, attach sample of trim material to order.
10. When ordering by telegram use code --see instructions in Parts Book under "Ordering Parts by Telegram."

PARTS PLANT

Chatham, Ontario 240 Raleigh Street, Phone 2670

PARTS DEPOT

Regina, Saskatchewan 1300 Eighth Avenue, Phone 92505

## ILLUSTRATION INDEX

Plate No.	Name	Group No.
1	Front axle - reverse elliott type-	2
2	Front axle - elliott type-	2
3	Tie rod and drag link-	2
4	Tie rod and drag link-	2
5	Rear axle-	3
6	Rear axle - hypoid -	3
7	Rear axle - hypoid -	3
8	Rear axle - hypoid -	3
9	Rear axle - timken - 2 speed -	3
10	Vacuum shift control valve -	3
11	Hand brake-	4
12	Service brake-	5
13	Service brake-	5
14	Booster brake-	5
15	Hydraulic brake system -	5
16	Booster brake and axle vacuum shift system -	5
17	Wheel cylinder -	5
18	Master cylinder-	5
19	Wheel cylinder -	5
20	Rear wheel hydraulic brake -	5
21	Clutch-	6
22	Cooling system -	7
23	Radiator grille-	7
24	Water pump -	7
25	Instruments-	8
26	Generator-	8
27	Starter-	8
28	Starter-	8
29	Distributor-	8
30	Engine -	9
31	Fluid coupling -	9
32	Oil pump -	10
33	Oil strainer and relief valve-	10
34	Carburetor -	14
35	Fuel pump-	14
36	Propeller shaft-	16
37	Spring clip chart-	17
38	Steering gear-	19
39	Steering gearshift -	19
40	Transmission - 3 speed -	21
41	Transmission - 4 speed -	21
42	Transmission - 4 speed -	21
43	Transmission - 4 speed -	21
44	Transmission - 5 speed -	21
45	Transmission - 5 speed -	21-
46	Front wheel-	22
47	Front wheel-	22
48	Rear wheel -	22
49	Rear wheel -	22
50	Chassis and panel body -	23
51	Cab and express body -	23
52	Chassis and cab-	23
53	Cab - interior view-	23
54	Cab - interior view-	23
55	Door vent window -	23
56	Seat regulator -	23
57	Windshield wiper - electric-	23
58	Windshield wiper - vacuum-	23

## NOTES:

# ALPHABETICAL INDEX

0-7

	Group		Group		Group
<b>A</b>		<b>B (Cont'd)</b>		<b>B (Cont'd)</b>	
Absorber - front shock...	17-K	Bearing - steering knuckle	2-C	Brake holder.....	1-E
Absorber - rear shock....	17-K	Bellcrank - throttle		Brake hose.....	5-K
Accelerator pedal.....	14-A	control.....	14-B	Brake pedal.....	5-H
Accelerator shaft.....	14-A	Belt - fan.....	7-A	Brake pedal reinforcement	
Accelerator shaft to		Blade - fan.....	7-A	bracket.....	5-H
bellcrank rod.....	14-A	Blade - windshield wiper	1-R	Brake pedal return spring	5-H
Accelerator shaft bracket	14-A	Block - cylinder.....	9-B	Brake shoe adjusting parts	5-E
Adapter to control valve		Board - floor.....	23-E	Brake shoe anchor.....	5-D
tube.....	3-H		24-A	Brake shoe and lining....	5-B
Adapter diaphragm and		Board - running.....	12-C	Brake shoe lever.....	5-F
bracket.....	3-H	Board - toe.....	23-E	Brake shoe guide parts...	5-F
Adapter speedometer		Body to frame insulator.	23-E	Brake shoe lining package	5-B
drive.....	3-H	Body - express.....	24-A	Brake shoe return spring	5-G
Air cleaner.....	14-C	Body - wiring.....	8-I	Brake solution.....	5-A
Air cleaner - breather		Body hold down bolt.....	23-E	Brake support.....	5-C
pipe.....	10-A		24-A	Breather pipe air	
Air cleaner - booster....	5-M	Body rear section.....	23-C	cleaner.....	10-A
Ammeter.....	8-H	Body side.....	23-B	Breather pipe.....	10-A
Anchor - brake shoe.....	5-D	Bolt - body hold down...	23-E	Bulb - driving light....	1-B-2
Anchor - hand brake band.	4-B		24-A	Bulb - speedometer lamp.	8-J
Anti-freeze - Chryco.....		Bolt - connecting rod		Bumper - front.....	13-G
Glycol.....	1-L	bearing cap.....	9-G	Bumper - front axle....	17-E
Arm - front door check...	23-F	Bolt - front spring....	17-C	Bumper - rear.....	13-H
Arm - rear door check....	23-G	Bolt - rear spring.....	17-H	Bumper - rear spring	
Arm rest.....	23-I	Booster air cleaner....	5-M	axle.....	17-J
Arm - steering gear.....	19-D	Booster brake.....	5-M	Bushing - rear spring...	17-H
Arm - steering knuckle...	2-D	Booster brake synchroniz-		Button - horn.....	19-H
Arm - tail lamp and lic-		ing valve package.....	5-N		
ense bracket.....	8-O	Booster brake tube.....	5-M	<b>C</b>	
Ash receiver.....	23-A	Booster brake vacuum re-		Cab hold down bracket...	13-E
Auxiliary floor mat.....	1-A	serve tank.....	5-N	Cab shell.....	23-A
Auxiliary fuel tank to		Booster cylinder bracket	5-M	Cable - axle vacuum	
shut-off tee tube.....	14-J	Booster cylinder repair		shift.....	3-H
Auxiliary lights.....	1-B	package.....	5-M	Cable - battery ground..	8-C
Auxiliary spring.....	17-F	Booster cylinder vacuum		Cable - battery to star-	
Axle drive shaft - rear..	3-G	valve.....	5-M	ter.....	8-C
Axle - front.....	2-A	Box - glove.....	23-A	Cable - hand brake.....	4-G
Axle shaft bearing - rear	3-F	Bracket - accelerator		Cable - ignition coil...	8-F
Axle shaft - rear.....	3-F	shaft.....	14-A	Cable - spark plug.....	8-F
Axle shift diaphragm....	3-H	Bracket and adapter		Cable - speedometer....	21-D
Axle shift diaphragm push		diaphragm.....	3-H	Case - spiral pinion	
rod.....	3-H	Bracket - cab hold down.	13-E	shaft bearing.....	3-G
Axle shift diaphragm shell	3-H	Bracket - booster		Camshaft.....	9-J
Axle shift diaphragm		cylinder.....	5-M	Camshaft bearing.....	9-J
sleeve.....	3-H	Bracket - brake pedal		Camshaft sprocket.....	9-J
Axle vacuum shift cable..	3-H	reinforcement.....	5-H	Cap - crankshaft bear-	
Axle vacuum shift hose...	3-H	Bracket - clutch pedal		ing.....	9-E
Axle vacuum shift tube -		reinforcement.....	6-G	Cap - fuel tank filler..	14-I
front and rear.....	3-H	Bracket - dash - control		Cap - fuel tank locking.	1-G
Axle vacuum shift valve..	3-H	cable- .....	14-B	Cap - hub.....	22-C
		Bracket - frame.....	13-E	Cap - radiator filler...	7-B
<b>B</b>		Bracket - frame side rail		Carburetor.....	14-D
Back - seat.....	23-H	steering gear.....	13-B	Carburetor cleaner.....	1-L
Baffle - radiator grille		Bracket - front fender		Carburetor to distribu-	
panel.....	7-C	rear support.....	12-B	tor vacuum control tube	14-D
Band - hand brake.....	4-B	Bracket - front fender		Carrier and cap diffe-	
Battery - Chryco.....	1-C	housing to cowl.....	12-B	rential.....	3-B
Battery ground cable....	8-C	Bracket - spring.....	13-F	Carrier assembly and	
Battery hold down cover..	13-D	Bracket - fuel tank....	14-I	differential.....	3-G
Battery to starter cable.	8-C	Bracket - generator		Carrier - drive pinion..	3-G
Battery support.....	13-D	mounting.....	8-B	Carrier - tire.....	22-G
Battery tray.....	13-D	Bracket - ignition cable		Carrier - underslung tire	22-F
Bar - steering gear cross	19-C	tube and coil mounting	8-F	Case - differential.....	3-B
Bearing - camshaft.....	9-J	Bracket - license.....	8-O	Case - transmission....	21-A
Bearing - center.....	16-D	Brackets - muffler.....	11-B		21-B
Bearing - clutch release	6-D	Bracket - steering gear.	19-C		21-C
Bearing - differential...	3-B	Bracket - tail pipe....	11-C	Cement - general purpose	1-L
	3-G	Bracket - throttle cont-		Center bearing.....	16-D
Bearing - drive pinion...	3-E	rol wire tube.....	14-B	Center bearing flange...	16-E
	3-G	Brake and clutch pedal			
Bearing - rear axle shaft	3-F	draft pad.....	1-D		
		Brake - booster.....	5-M		
		Brake drum.....	23-E		



## ALPHABETICAL INDEX

Group	C (Cont'd)	Group	C (Cont'd)	Group	D (Cont'd)
	Center propeller shaft.. tube..... 16-A		Cover housing..... 3-A		Dome lamp lens and bezel..... 8-P
	Chain case cover..... 9-K		Cover - transmission gear - shift..... 21-A		Door - front..... 23-F
	Chain case cover oil seal package..... 9-K		Cover - transmission gear - shift..... 21-B		Door trim panel..... 23-I
	Chain case cover plate.. 9-K		Cover - transmission gear - shift..... 21-C		Dovetail - front door... 23-F
	Chain - timing..... 9-K		Cover - transmission power take-off..... 21-B		Dovetail - rear door.... 23-G
	Chassis wiring..... 8-I		Cover - transmission power take-off..... 21-C		Drag link..... 2-F
	Choke control..... 14-B		Cover - valve spring..... 9-L		Drag link dust cover.... 2-F
	Chrome protector..... 1-L		Cover - rear door inspection..... 23-G		Dripless penetrating oil. 1-L
	Chromium polish..... 1-L		Cover - underbody battery and tool box..... 23-E		Drive gear..... 3-D
	Cleaner - air..... 14-C		Cowl trim panel..... 23-I		Drive gear and pinion set 3-C
	Cleaner - air-breather.. pipe..... 10-A		Cowl ventilator..... 23-A		Drive pinion bearing..... 3-E
	Cleaner - carburetor.... 1-L		Crankcase ventilator air cleaner..... 10-A		Drive pinion bearing spacers..... 3-E
	Cleaner - fabric..... 1-L		Crankcase ventilator outlet pipe..... 10-A		Drive pinion carrier.... 3-G
	Cleaner - glass..... 1-L		Crankshaft..... 9-E		Drive pinion front bearing spacer..... 3-G
	Cleaner- pre-wax..... 1-L		Crankshaft bearing cap... 9-E		Drive pinion oil seal.... 3-E
	Cleaner - upholstery.... 1-L		Crankshaft bearing package..... 9-E		Driving light bulb..... 1-B-2
	Cleaner - white wall tire..... 1-L		Crankshaft rear bearing.. oil seal retainer..... 9-E		Drum - brake..... 22-D
	Cleaner - cooling system 1-L		Crossmember - frame..... 13-C		Drum - hand brake..... 4-A
	Clip - front spring..... 17-D		Cup - front wheel bearing 22-E		
	Clip - rear spring..... 17-I		Cup - rear wheel bearing. 22-E		<b>E</b>
	Cloth - polishing..... 1-L		Cushion - seat..... 23-H		Engine..... 9-A
	Clutch cover..... 6-C		Cylinder block ..... 9-B		Engine dust pan..... 12-A
	Clutch disc..... 6-B		Cylinder head..... 9-C		Engine front support.... 9-M
	Clutch housing..... 6-A		Cylinder and key - front door lock..... 23-F		Engine gasket package... 9-A
	Clutch housing pan and dust seal..... 6-A		Cylinder and key - rear door lock..... 23-G		Engine rear support..... 9-M
	Clutch operating rod.... 6-F		Cylinder-master..... 5-I		End - tie rod..... 2-E
	Clutch pedal..... 6-G		Cylinder - wheel brake... 5-L		Engine valve grind package..... 9-A
	Clutch pedal reinforcement bracket..... 6-G				Exhaust pipe..... 11-A
	Clutch pressure plate... 6-C		<b>D</b>		Express body..... 24-A
	Clutch release bearing.. 6-D		Damper - vibration..... 7-A		Extension - rear fender.. 12-E
	Clutch release fork..... 6-E		Dash liner..... 23-I		Eze-ride seat pad..... 1-M
	Clutch - ignition..... 8-F		Defroster - windshield... 1-H		
	Companion yoke or flange 16-E		Diaphragm axle shift... 3-H		Fabric cleaner..... 1-L
	Compound - hand rubbing. 1-L		Differential bearing..... 3-B		Fan belt..... 7-A
	Compound - perfect seal gasket..... 1-L		Differential and carrier. assy..... 3-B		Fan blade..... 7-A
	Compound - sealing..... 1-L		Differential carrier and cap 3-B		Fan drive pulley - at... crankshaft..... 7-A
	Cone - front wheel bearing..... 22-E		Differential case..... 3-B		Fan pulley - at fan..... 7-A
	Cone - rear wheel bearing 22-E		Differential drive gear.. 3-G		Fan shroud..... 7-A
	Connecting rod..... 9-G		Differential pinion..... 3-B		Fender - front..... 12-B
	Connecting rod bearing cap bolt..... 9-G		Differential pinion gear. 3-G		Fender - rear..... 12-D
	Connecting rod bearing package..... 9-G		Differential pinion shaft 3-B		Filter - fuel..... 14-F
	Connector - water outlet 9-C		Differential pinion spider..... 3-B		Filter - oil..... 10-C
	Control cable dash bracket..... 14-B		Differential side gear... 3-G		Flange - center bearing.. 16-E
	Control - choke..... 14-B		Differential spiral pinion..... 3-G		Flange - companion..... 16-E
	Control - throttle..... 14-B		Differential spiral pinion shaft..... 3-G		Flange - rear axle end... 16-E
	Control front door remote..... 23-F		Dimmer switch..... 8-K		Flange - transmission end 16-E
	Cooling system cleanser. 1-L		Directional signals.... 1-B-1		Floor board..... 23-E
	Core - radiator..... 7-B		Disc - clutch..... 6-B		Floor mat..... 23-E
	Countershaft - transmission..... 21-A		Distributor..... 8-E		Floor transmission cover. 23-E
	Countershaft - transmission..... 21-B		Distributor cam lubricant 1-L		Fluid coupling..... 9-F
	Coupling - fluid..... 9-F		Dome lamp..... 8-P		Flywheel and ring gear... 9-F
	Cover - battery hold.... down..... 13-D				Fog lights and brackets.. 1-B-3
	Cover - chain case..... 9-K				Fork - clutch release.... 6-E
	Cover - clutch..... 6-C				Fork - gearshift..... 21-B
	Cover- drag link dust... 2-F				Fork axle - shift..... 3-G
	Cover - floor transmission..... 23-E				Frame..... 13-A
	Cover - front door inspection..... 23-F				Frame bracket..... 13-E
					Frame crossmember..... 13-C
					Frame side rail reinforcement..... 13-B
					Frame side rail steering gear bracket..... 13-B

# ALPHABETICAL INDEX

Group	Group	Group
<b>F (Cont'd)</b>	<b>F (Cont'd)</b>	<b>G (Cont'd)</b>
Fresh air intake package. 1-H	Fuel tank to fuel pump.. 14-J	Guide - seat..... 23-H
Front axle..... 2-A	Fuel tank to fuel pump tube..... 14-J	<b>H</b>
Front axle bumper..... 17-E	Fuel tank to fuel pump tube hose..... 14-I	Hand brake band..... 4-B
Front bumper..... 13-G	Fuel tank heat shield... 14-I	Hand brake band anchor.. 4-B
Front bumper buffer plate 13-I	Fuel tank shut-off tee to fuel pump tube.... 14-J	Hand brake band support. 4-B
Front door..... 23-F	Fuel tank strap..... 14-I	Hand brake cable..... 4-G
Front door arm rest..... 23-I	Fuel tank support..... 14-I	Hand brake drum..... 4-A
Front door check arm..... 23-F	<b>G</b>	Hand brake idler lever.. 4-E
Front door dovetail..... 23-F	Gasket compound (perfect seal)..... 1-L	Hand brake lever..... 4-D
Front door glass..... 23-F	Gasket - manifold..... 9-D	Hand brake operating lever..... 4-H
Front door hinge..... 23-F	Gauge - fuel ..... 14-G	Hand brake pull rod.... 4-D
Front door inspection cover..... 23-F	Gauge - oil..... 10-B	Hand brake rod..... 4-F
Front door lock..... 23-F	Gauge - temperature.... 7-E	Hand spotlight..... 1-B-5
Front door lock cylinder and key..... 23-F	Gear - differential drive..... 3-G	Hand rubbing compound... 1-L
Front door outside handle 23-F	Gear - differential side 3-B	Handle - front door outside..... 23-F
Front door outside repair panel..... 23-F	Gear - differential pinion..... 3-G	Handle - rear door out. side..... 23-G
Front door remote control 23-F	Gear - drive..... 3-D	Handle regulator..... 23-F
Front door shell..... 23-F	Gear - flywheel and ring 9-F	Handle - remote control. 23-F
Front door trim panel.... 23-I	Gear and pinion set -... drive..... 3-C	Head - cylinder..... 9-C
Front door vent wing.... 23-F	Gear and pinion speedometer..... 21-D	Headlamp..... 8-L
Front door weatherseal... 23-F	Gear - reverse idler.... 21-A	Headlamp beam indicator. 8-L
Front draft pad..... 23-E	Gear - steering..... 19-A	Headlamp and parking lamp wiring..... 8-L
Front fender..... 12-B	Gear - transmission.... 21-A	Headlamp switch..... 8-K
Front fender housing.... 12-B	Gear shift cross shaft support tube..... 21-A	Headlining trim panel... 23-I
Front fender housing splash shield..... 12-B	Gearshift fork..... 21-B	Heater..... 1-H
Front fender housing to body support shield... 12-B	Gearshift housing..... 21-A	Heater - water jacket... 1-P
Front fender housing to cowl bracket..... 12-B	Gearshift lever..... 21-B	Hinge - front door..... 23-F
Front fender rear support bracket..... 12-B	Gearshift rail..... 21-A	Hinge - rear door..... 23-G
Front panel - express.... 24-A	Gearshift selector..... 21-A	Hinge - seat back..... 23-H
Front propeller shaft tube..... 16-A	General purpose cement.. 1-L	Hood centre panel..... 15-A
Front shock absorber.... 17-K	Generator..... 8-B	Hood centre panel ornament..... 1-J
Front section..... 23-A	Generator mounting bracket..... 8-B	Hood lock..... 15-A
Front spring..... 17-A	Generator pulley..... 8-B	Hood prop..... 15-A
Front spring bolt..... 17-C	Generator regulator.... 8-B	Hood side panel..... 15-A
Front spring clip..... 17-C	Generator strap..... 8-B	Hook - tow..... 13-I
Front spring shackle.... 17-B	Glass channel..... 23-F	Horn..... 8-A
Front spring shackle and bushing package..... 17-B	Glass cleaner..... 1-L	Horn button..... 19-H
Front spring shackle bushing package..... 17-B	Glass - front door..... 23-F	Horn relay..... 8-A
Front spring shim..... 17-D	Glass - rear door..... 23-G	Hose - axle vacuum shift 3-H
Front tee to rear tee brake tube..... 5-J	Glass run..... 23-F	Hose - brake..... 5-K
Front wheel bearing cone 22-E	Glass weatherstrip..... 23-F	Hose - fuel tank to fuel pump tube..... 14-J
Front wheel bearing cup.. 22-E	Glove box..... 23-A	Hose - radiator..... 7-B
Front wheel bearing dust seal..... 22-E	Glycol-chryco..... 1-E	Hose - vacuum shift.... 3-H
Frost shield..... 1-F	Governor..... 14-E	Housing - clutch..... 6-A
Fuel filter..... 14-F	Grille - radio speaker.. 8-G	Housing cover..... 3-A
Fuel gauge..... 14-G	Guard - propeller shaft. 16-A	Housing - front fender.. 12-B
Fuel tank shut-off tee.. 14-I		Housing - gearshift.... 21-A
Fuel pump..... 14-H		Housing - ignition coil lock switch..... 8-F
Fuel pump heat shield... 14-H		Housing - instrument.... 8-G
Fuel pump to carburetor tube..... 14-J		Housing - rear axle.... 3-A
Fuel pump to manifold tube..... 14-J		Housing - steering gear. 19-B
Fuel pump to windshield wiper tube..... 14-J		Hub..... 22-C
Fuel tank..... 14-I		Hub cap..... 22-C
Fuel tank bracket..... 14-I		Hub and drum..... 22-B
Fuel tank filler cap.... 14-I		Hub stud..... 22-C
Fuel tank filler tube.... 14-I		<b>I</b>
Fuel tank locking cap.... 1-G		Ignition cable tube & coil mounting bracket 8-F

## ALPHABETICAL INDEX

	Group		Group		Group
<b>I (Cont'd)</b>		<b>M (Cont'd)</b>		<b>P (Cont'd)</b>	
Ignition coil.....	8-F	Mainshaft - transmis-		Package - booster	
Ignition coil cable.....	8-F	sion.....	21-A	cylinder repair.....	5-M
Ignition coil lock			21-B	Package - brake shoe	
switch and housing....	8-F	Manifold.....	9-D	lining.....	5-B
Ignition lock switch		Manifold to control		Package - chain case	
cylinder and keys pack-		valve tube.....	3-H	cover oil seal.....	9-K
age.....	8-F	Manifold gasket.....	9-D	Package - connecting rod	
Indicator - headlamp beam	8-L	Manifold gasket package.	9-D	bearing.....	9-G
Indicator- oil level....	10-F	Manifold heat control		Package - crankshaft	
Instrument housing.....	8-G	valve.....	9-D	bearing.....	9-E
Instrument lamp switch..	8-K	Manifold heat control		Package - crankshaft	
Instrument panel.....	23-A	valve package.....	9-D	rear bearing oil seal.	
Instrument panel lamp...	8-J	Master cylinder.....	5-I	retainer.....	9-E
Insulator - body to		Master cylinder to		Package - engine gasket.	9-A
frame.....	23-E	booster tube.....	5-J	Package - engine valve..	
Insulator - tail pipe		Master cylinder to frame		grind.....	9-A
floor board.....	23-E	tee tube.....	5-J	Package - front spring	
Intake - fresh air.....	1-H	Master cylinder internal		shackle and bushing...	17-B
<b>J</b>		parts.....	5-I	Package - front spring	
Jacket - steering column	19-E	Master cylinder push rod	5-I	shackle bushing.....	17-B
<b>K</b>		Master cylinder repair		Package - front spring	
King pin or pivot.....	2-B	package.....	5-I	shackle and bushing...	17-B
King pin service package	2-B	Mat - floor.....	23-E	front.....	17-B
Kit - tool.....	20-A	Mat - chryco scuff.....	1-A	Package - ignition lock	
Knuckle - steering.....	2-C	Material - trim.....	23-I	switch cylinder and key	8-F
<b>L</b>		Mirror - rear view.....	23-L	Package - king pin ser-	
Lamp - dome.....	8-P	Mit - speed.....	1-L	vice.....	2-B
Lamp - instrument panel.	8-J	Moulding - cowl panel		Package - manifold	
Lamp - license.....	8-O	drip.....	23-A	gasket.....	9-D
Lamp - parking.....	8-M	Moulding - radiator		Package - manifold heat	
Lamp - tail and signal..	8-N	grille.....	7-C	control valve.....	9-D
Lever and rod - steering		Mounted spotlight.....	1-B-4	Package - master	
gear gearshift		Muffler.....	11-B	cylinder repair.....	5-I
selector.....	19-I	Muffler brackets.....	11-B	Package - muffler clamp	11-C
Lever - gearshift.....	21-A	Muffler clamp package...	11-C	Package - oil pan front	
<b>M</b>		<b>N</b>		Package - oil pan front	
Lever - hand brake.....	4-D	Nut-rear wheel bearing..		end oil seal plate....	10-F
Lever - hand brake idler	4-E	adjust.....	22-E	Package - oil pan gasket	10-F
Lever - hand brake operat-		<b>O</b>		Package - oil pump shaft	
ing.....	4-H	Oil - dripless penetrat-		and rotor.....	10-D
Lever - rear brake shoe.	5-F	ing.....	1-L	Package - rear spring...	
Lever - steering gear re-		Oil filter.....	10-C	shackle and bushing...	17-G
mote control gearshift	19-I	Oil filter tube.....	10-C	Package - rear spring...	
Lever - throttle control	14-B	Oil gauge.....	10-B	shackle bushing.....	17-G
License lamp.....	8-O	Oil gauge tube.....	10-B	Package - synchronizer..	
License plate bracket...	8-O	Oil level indicator.....	10-F	spring and plate.....	21-A
Lights - auxiliary.....	1-B	Oil pan.....	10-F	Package - transmission..	21-A
Lights - fog.....	1-B-3	Oil pan front end oil		Package - transmission	21-B
Liner - dash.....	23-I	seal plate package....	10-F	Package - transmission	
Link - drag.....	2-F	Oil pan gasket package..	10-F	small parts.....	21-A
Lock - front door.....	23-F	Oil pressure relief		Package - universal	
Lock - hood.....	15-A	valve.....	10-E	joint.....	16-C
Lock - rear door.....	23-G	Oil pump.....	10-D	Package - valve spring	
Lubricant - distributor.		Oil pump shaft and rotor		cover gasket.....	9-L
cam.....	1-L	package.....	10-D	Package - water jacket	
Lubricant - speedometer		Oil pump outlet pipe....	10-D	heater.....	1-P
cable.....	1-L	Oil seal - rear axle....	3-F	Package - water pump	
Lubricant - spring.....	1-L	Oil - speedometer head		repair.....	7-D
<b>M</b>		lubricating.....	1-L	Package - water pump seal	7-D
Main fuel tank to shut		Oil strainer.....	10-E	Package - water pump	
off tee tube.....	14-J	Ornament - hood centre		shaft and bearing....	7-D
Mainshaft rear bearing		panel.....	1-J	Package - wheel cylinder	
retainer.....	21-B	Outside visor.....	1-N	repair.....	5-L
<b>M</b>		<b>P</b>		Package - brake and clutch..	
Package - booster brake		Package - booster brake		draft.....	23-E
synchronizing valve...	5-N	synchronizing valve...	5-N	Pad - Eze-ride seat....	1-F

# ALPHABETICAL INDEX

	Group		Group		Group
<b>P (Cont'd)</b>		<b>P (Cont'd)</b>		<b>R (Cont'd)</b>	
Panel - hood center.....	15-A	Pulley - generator.....	8-B	Reinforcement - frame side	
Panel - hood side.....	15-A	Pump - fuel.....	14-H	rail.....	13-B
Panel - front door out-		Pump oil.....	10-D	Relay - horn.....	8-A
side repair.....	23-F	Pump - water.....	7-D	Remote control handle....	23-F
Panel - front express....	24-A	<b>R</b>			
Panel - instrument.....	23-A	Radiator core.....	7-B	Retainer - front wheel	
Panel - radiator grille..	7-C	Radiator filler cap.....	7-B	bearing.....	22-E
Panel - rear trim.....	23-I	Radiator grille moulding	7-C	Retainer - mainshaft rear	
Panel - side.....	24-A	Radiator grille panel....	7-C	bearing.....	21-B
Parking lamp.....	8-M	Radiator grille panel	7-C		21-C
Pedal - accelerator.....	14-A	baffle.....	7-C	Retainer - pinion bearing	21-A
Pedal - brake.....	5-E	Radiator grille panel			21-B
Pedal - clutch.....	6-G	name plate.....	7-C	Retainer - spiral pinion	
Pedal return spring.....	6-F	Radiator hose.....	7-B	shaft bearing.....	3-G
Pedal - starter.....	8-D	Radiator outlet tube....	7-B	Retainer - transmission	
Penetrating oil.....	1-L	Radiator rust resister... 1-L		main drive gear bearing	21-B
Perfect seal gasket com-		Radiator stop leak.....	1-L	Rings and pistons.....	9-H
pound.....	1-L	Radiator support.....	7-C	Rod - accelerator shaft	
Pin - piston.....	9-I	Radio speaker grille....	8-G	to bell crank.....	14-A
Pin - or pivot - king....	2-B	Rail - gearshift.....	23-A	Rod - axle shift diaphragm	
Pinion bearing retainer..	21-A	Rear axle brake tube....	21-A	push.....	3-H
	21-B	Rear axle end flange....	21-B	Rod - clutch operating... 6-F	
	21-C	Rear axle housing.....	21-C	Rod - connecting.....	9-G
	3-B		5-J	Rod - hand brake.....	4-F
Pinion - differential....	3-G	Rear brake shoe lever... 5-F		Rod - hand brake pull.... 4-D	
Pinion - differential		Rear bumper.....	13-H	Rod - master cylinder push 5-I	
spiral.....	3-G	Rear door check arm....	23-G	Rod - steering gear gear-	
Pinion and gear set-		Rear door dovetail.....	23-G	shift.....	19-I
drive.....	3-C	Rear door glass.....	23-G	Rod - steering gear to	
	3-G	Rear door handle.....	23-G	transmission gearshift. 19-I	
Pinion and gear - speed-		Rear door hinge.....	23-G	Rod - throttle control	
ometer.....	21-D	Rear door lock.....	23-G	bellcrank to carbureter 14-B	
Pinion - transmission		Rear door lock cylinder	23-G	Rod - tie.....	2-E
main drive.....	21-A	and key.....	23-G	Roof.....	23-D
	21-B	Rear door shell.....	23-G	Rubbing compound.....	1-L
	21-C	Rear door weatherseal... 23-G		Run - glass.....	23-F
Pipe breather.....	10-A	Rear door wedge.....	23-G	Running board.....	12-C
Pipe - crankcase ven-		Rear fender.....	12-D	Rust resistor - radiator. 1-L	
tilator outlet.....	10-A	Rear fender extension... 12-E			
Pipe - exhaust.....	11-A	Rear fender to body shield 12-D		<b>S</b>	
Pipe - oil pump outlet... 10-D		Rear propeller shaft tube 16-A		Scuff mat.....	1-A
Pipe - tail.....	11-C	Rear shock absorber.... 17-K		Seal - drive pinion oil.. 3-E	
Piston pin.....	9-I	Rear spring.....	17-F	Seal - dust front wheel	
Piston and rings.....	9-H	Rear spring axle bumper.. 17-J		bearing.....	22-E
Plate - chain case cover.. 9-K		Rear spring bolt.....	17-H	Seal - housing pan dust 6-A	
Plate - front bumper buf-		Rear spring bushing..... 17-H		Seal - rear axle oil.... 3-F	
fer.....	13-I	Rear spring clip.....	17-I	Seal - rear wheel bear-	
Plate - oil pan front end		Rear spring clip plate... 17-I		ing oil.....	22-E
oil seal package.....	10-F	Rear spring clip seat... 17-I		Seal - sure.....	1-L
Plate - radiator grille		Rear spring shackle..... 17-G		Sealing compound.....	1-L
panel name.....	7-C	bushing package.....	17-G	Seat.....	23-H
Plate - rear spring clip	17-I	Rear spring shackle bush-		Seat back.....	23-H
Plastigage.....	1-L	ing package.....	17-G	Seat back hinge.....	23-H
Plug - spark .....	8-F	Rear trim panel.....	23-I	Seat cushion.....	23-H
Plunger - transmission		Rear view mirror.....	23-I	Seat guide.....	23-H
lever stop.....	21-B	Rear wheel bearing adjust 22-E		Seat - rear spring clip.. 17-I	
Polish - chromium.....	1-L	nut.....	22-E	Seat regulator.....	23-H
Polish - cloth.....	1-L	Rear wheel bearing cone.. 22-E		Section - body rear..... 23-C	
Polish and cleaner -		Rear wheel bearing cup... 22-E		Section - front.....	23-A
speedclene.....	1-L	Rear wheel bearing oil		Selector - gearshift.... 21-A	
Polishing wax.....	1-L	seal.....	22-E	Shackle - front spring... 17-B	
Post - steering.....	23-A	Rear wheel cylinder..... 5-L		Shackle - rear spring... 17-G	
Power pak.....	1-K	Receiver - ash.....	23-A	Shaft - accelerator..... 14-A	
Power - tire static sup-		Regulator - generator... 8-E		Shaft - differential pin-	
pression.....	1-L	Regulator handle.....	23-F	ion.....	3-B
Pressure plate - clutch.. 6-C		Regulator seat.....	23-H	Shaft - differential spi-	
Pre-wax cleaner.....	1-L	Regulator - window..... 23-F		ral pinion.....	3-G
Prop - hood.....	15-A			Shaft - rear axle.....	3-F
Propeller shaft guard... 16-A				Shaft - rear axle drive.. 3-F	
Propeller shaft tube.... 16-A					3-G
Protector - chrome..... 1-L					
Pulley - fan.....	7-A				
Pulley drive - at crank-					
case.....	7-A				

## ALPHABETICAL INDEX

S (Cont'd)		Group	S (Cont'd)		Group	T (Cont'd)		Group
Shaft - steering gear...			Steering column jacket..	19-E	Throttle control bell...			
cross.....	19-G		Steering gear.....	19-A	crank to carburetor ..			
Shaft - transmission re-			Steering gear arm.....	19-D	rod.....	14-B		
verse idler.....	21-A		Steering gear bracket...	19-C	Throttle control lever..	14-B		
	21-B		Steering gear cross bar.	19-C	Throttle control spring.	14-B		
	21-C		Steering gear cross shaft	19-G	Throttle control wire			
Shell - axle shift di-			Steering gear gearshift		tube bracket.....	14-B		
aphragm.....	3-H		rod.....	19-I	Tie rod.....	2-E		
Shell - cab.....	23-A		Steering gear gearshift		Tie rod end.....	2-E		
Shell - front door.....	23-F		selector lever and rod	19-I	Timing chain.....	9-K		
Shell - rear door.....	23-G		Steering gear housing...	19-B	Tire carrier.....	22-F		
Shield - front fender			Steering gear remote con-		Tire static suppression			
housing splash.....	12-B		trol gearshift lever..	19-I	powder.....	1-L		
Shield - electric frost.	1-F		Steering gear to trans-		Toe board.....	23-E		
Shield - front fender			mission gearshift rod	19-I	Tool kit.....	20-A		
housing to body support	12-B		Steering knuckle.....	2-C	Tow hook.....	13-I		
Shield - fuel pump heat.	14-H		Steering knuckle arm...	2-D	Traction ( tire grip pow-			
Shield - fuel tank heat.	14-I		Steering knuckle bearing	2-C	der).....	1-L		
Shield - rear fender to			Steering post.....	23-A	Transmission - 3 speed..	21-A		
body.....	12-D		Steering tube and worm..	19-F	Transmission - 4 speed..	21-B		
Shift fork - axle.....	3-G		Steering wheel.....	19-H	Transmission - 5 speed..	21-C		
Shim - front spring.....	17-D		Stick - door ease lub-		Transmission case.....	21-A		
Shoe and lining - brake.	5-B		ricating.....	1-L		21-B		
Shroud - fan.....	7-A		Stop - leak - radiator..	1-L		21-C		
Side - body.....	23-B		Strainer - oil.....	10-E	Transmission countershaft	21-A		
Side - panel.....	24-A		Strap - fuel tank.....	14-I		21-B		
Signals - directional...	1-B-1		Strap generator.....	8-B		21-C		
Signal lamp switch.....	8-N		Stud - hub.....	22-C		21-C		
Sleeve - axle shift dia-			Sun master.....	1-N	Transmission end flange..	16-E		
aphragm.....	3-H		Sun visor.....	23-I	Transmission gasket pack-			
Sliding yoke.....	16-B		Support - battery.....	13-D	age.....	21-A		
Solution - brake.....	5-A		Support - brake.....	5-C		21-B		
Spacer - drive pinion			Support - engine front..	9-M	Transmission gears.....	21-A		
bearing.....	3-E		Support - engine rear...	9-M		21-B		
Spacer - drive pinion			Support - fuel tank.....	14-I		21-C		
front bearing.....	3-G		Support hand brake band.	4-B	Transmission gearshift			
Spark plug.....	8-F		Support - radiator.....	7-C	cover.....	21-A		
Spark plug cable.....	8-F		Support - tail pipe front	11-C		21-B		
Speed - clene - (Polish			Support - tail pipe rear	11-C		21-C		
and cleaner.....	1-L		Sure - seal.....	1-L	Transmission lever stop			
Speed - mitt.....	1-L		Switch - dimmer.....	8-K	plunger.....	21-B		
Speedometer.....	21-D		Switch - headlamp.....	8-K	Transmission main drive			
Speedometer cable.....	21-D		Switch - instrument lamp	8-K	gear bearing retainer	21-B		
Speedometer lubricating	1-L		Switch - signal lamp....	8-N	Transmission maindrive			
Speedometer drive adapter	3-H		Synchronizer spring and		pinion.....	21-A		
Speedometer gear and pin-			plate package.....	21-A		21-B		
ion set.....	21-D		Synchronizer - trans...			21-C		
Speedometer lamp bulb...	8-J		mission.....	21-A	Transmission mainshaft.	21-A		
Spider - differential				21-B		21-B		
pinion.....	3-B			21-C		21-C		
	3-G				Transmission power take			
Spiral pinion shaft					-off cover.....	21-B		
bearing cage.....	3-G					21-C		
Spiral pinion shaft					Transmission reverse			
bearing retainer.....	3-G				idler gear.....	21-A		
Spotlight - hand.....	1-B-5					21-B		
Spotlight - mounted....	1-B-4					21-C		
Spring - auxiliary.....	17-F				Transmission reverse			
Spring bracket.....	13-F				idler shaft.....	21-A		
Spring - brake pedal re-						21-B		
turn.....	5-H					21-C		
Spring - brake shoe re-					Transmission packages..	21-A		
turn.....	5-G				Transmission synchronizer	21-A		
Spring - front.....	17-A					21-B		
Spring lubricant (rust						21-C		
inhibitor).....	1-L				Tray - battery.....	13-D		
Spring - pedal return...	6-F				Trim material.....	23-I		
Spring - rear.....	17-F				Tube - adapter to cont-			
Spring - throttle control	14-B				rol valve.....	3-H		
Spring - valve.....	9-L				Tube - auxiliary fuel			
Sprocket- camshaft.....	9-J				tank to shut-off tee..	14-J		
Starter.....	8-D				Tube - axle vacuum shift			
Starter pedal.....	8-D				front and rear.....	3-H		









### NUMERICAL INDEX

Part No.	Group	Part No.	Group	Part No.	Group	Part No.	Group	Part No.	Group	Part No.	Group
657413	12-C	666853	3-A	681319	3-F	695441	9-K	780038	17-K	856861	3-E
	23-H		3-B	681320	3-F	695442	10-D	780182	14-I	856868	3-D
657415	7-C		21-B	681321	3-F	695787	6-A	780462	9-D	856869	3-D
657417	13-C		21-C	681322	3-F	696383	5-I	785011	23-L	856870	3-D
657484	19-H	667379	14-D	681402	19-H	697449	6-B	785035	23-G	856871	3-E
657560	8-I	667725	12-B	681544	9-L	697574	6-A	785439	24-A	856955	22-C
657572	5-N	667751	8-B	682198	5-H	697695	14-D	785785	23-A	856966	22-B
	8-J	668479	22-E		8-J	697697	14-D	792416	23-F	856981	22-C
	8-L	668520	3-G		8-L	697704	14-D	797273	23-E	857309	5-L
	8-M	668555	3-B	682555	22-C	697709	14-D		24-A	857488	3-E
	8-N		9-G	682875	19-B	697710	14-D	797892	12-D	857489	3-E
	8-O	668593	22-B	682904	19-G	697712	14-D	797893	12-D	857490	3-E
657583	5-N	669077	19-F	682905	19-G	698388	22-E	797913	23-F	857491	3-E
	8-J	669811	19-H	682906	19-G	698389	22-E	797944	23-F	857492	3-E
	8-L	669896	24-A	682907	19-G	698390	22-E	830334	1-L	858245	8-N
657929	4-C	669990	17-K	683051	11-A	698394	22-E	830335	5-N	859196	19-I
	4-H	670109	3-E	683057	9-D	698395	22-E		8-L	859197	19-I
	5-I	670110	3-E	683283	22-A	698401	22-E	830336	8-J	859901	8-B
657953	19-H	670111	3-E	683357	8-B	698403	3-B		21-D		8-D
657954	19-H	670463	3-H	683358	8-B	698404	3-B	830337	8-M	859903	8-E
659502	8-B		14-D	683365	8-A	698410	22-E		8-O	859907	8-E
659504	8-B	670500	7-A	683854	19-B	698413	3-E	830339	8-P	859928	8-B
659998	23-K	670647	1-H	683963	6-C	698414	3-E	830343	8-N	860174	3-H
660146	6-B	671152	10-D	683995	8-L	698415	3-E	830350	9-F	860343	9-G
660324	6-A	671153	5-M	684158	1-H	698606	6-A	830351	9-F	860552	1-H
660367	5-J	671477	8-B		5-J	699482	8-D	830391	5-L	860671	5-C
660377	3-F	671481	8-B	684364	6-B	699779	14-H	830397	1-L		9-G
	3-G	671490	8-B	684775	8-M	699788	14-H	830398	1-L	860919	8-B
660378	7-C	671923	9-D		8-O	699789	14-H	830500	1-C	860922	8-B
661282	4-H	672641	8-D	687374	8-D	699790	14-H	830502	1-C	861028	10-C
661312	4-B	673009	8-B	687779	8-C	699792	14-H	830504	1-C	861134	14-D
662783	14-D	673014	8-B	687782	8-C	699793	14-H	830505	1-C	861307	7-A
662790	14-D	673661	3-C	687975	8-C	699795	14-H	830539	9-H	861523	10-B
663219	8-C	674311	14-H	688007	8-A	699796	14-H	830660	1-L	861525	10-B
663220	8-C	674919	8-B	688015	8-B	699802	14-H	830667	1-L	861539	10-C
663479	3-B	674927	8-B	688016	8-B	699803	14-H	830720	20-A	861540	14-E
663480	3-B	674928	8-B	688080	1-B-3	699804	14-H	830809	8-F	861543	10-C
663481	3-D	674929	8-B	688081	1-B-3	699807	14-H	830810	8-F	861545	10-B
663482	3-D	674930	8-B	688102	14-D	699808	14-H		8-I	861556	14-E
663483	3-E	674931	8-B	688106	14-D	699811	14-D	830812	8-I	861557	3-H
663602	3-E	674932	8-B	688311	9-K	699813	14-H	830813	8-I	861558	14-D
663607	3-F	674935	8-B	688474	3-E	699817	14-H	830814	8-I	861574	23-K
664065	9-E	674936	8-B	688481	14-H	699819	14-H	830821	1-B-1	861577	14-J
664390	9-E	674939	8-B	688739	3-E	699823	14-H	830823	1-H	861603	23-K
665140	8-I	674941	8-B	688741	3-E	699824	14-H	837999	23-K	861606	5-J
665151	1-B-1	674942	8-B	689485	14-D	699825	14-H	849765	23-F	861608	5-J
	1-B-3	674943	8-B	689488	14-D	699827	14-H	850664	23-F	861609	5-J
	1-B-4	674944	8-B	689491	14-D	705318	23-G	852007	8-A	861610	5-J
	1-E	674959	8-E	689493	14-D	705320	23-G	852266	9-M	861611	5-J
	1-H	675594	9-F	689496	14-D	705360	23-A	852271	9-D	861612	5-J
	8-I	675664	14-D	689499	14-D	708167	23-G	852414	19-H		14-J
	8-N	675665	14-D	689501	14-H	708267	23-H	852750	10-C	861619	5-J
	8-O	675666	14-D	689505	14-H	711245	23-G	852780	7-E	861620	5-J
	9-D	675740	14-D	689506	14-H	715352	23-G	853624	9-D	861621	5-J
	23-K	675741	14-D	689569	14-H	715388	23-E	853781	8-L	861624	5-J
665156	19-H	675877	23-K	689867	1-B-3		24-A	853863	21-A	861625	5-J
665237	3-E	676564	7-D		8-N	724797	23-F	853867	21-A	861626	5-J
665403	14-D	676763	11-C	690509	9-M	729152	12-D	854011	9-F	861628	5-J
665404	14-D	676765	11-C	690939	9-K	736036	23-E	854038	5-L	861629	5-J
665454	4-B	676872	8-F	691241	3-B	741923	23-H	854420	7-B	861632	5-J
665464	4-H	677112	8-N	691315	14-D	745204	23-F	854472	5-C	861634	5-J
665465	4-H	677113	8-N	691708	8-E	747290	23-A	854798	8-L	861811	14-H
665541	5-I	677175	8-B	691709	8-E	747877	23-A	855094	16-E	861813	14-J
665689	9-L	677446	5-G	691710	8-E	748108	21-A	855097	3-B	861814	14-H
665720	6-C	677701	11-B	691716	8-E	755675	23-A	855098	3-B	861819	14-J
665786	9-J	678576	14-D	692166	5-K	763705	23-F	855099	3-B	861822	5-M
665787	9-J	678606	14-D	692857	10-A	764211	15-A	855101	3-B	861825	14-J
665802	10-F	678630	7-D	693524	22-D		23-F	856226	3-B	861829	14-J
665806	10-D	678722	11-B	693959	9-L	767693	23-F	856464	21-A	861830	14-H
666014	9-C	680413	12-B	693960	9-L	772414	23-B	856508	14-D	861832	14-E
666350	9-D	680414	23-A	694164	9-M		23-C	856842	19-I		14-F
666352	9-D	680439	1-L	694771	4-H		23-I	856851	3-B	861833	14-F
666353	9-D	680440	1-L	694895	14-B	780036	17-K	856852	3-B		14-J
666354	9-D	680441	1-L	694914	10-C	780037	17-K	856859	3-E	861834	14-J









# NUMERICAL INDEX

Part No.	Group	Part No.	Group	Part No.	Group	Part No.	Group	Part No.	Group
1253489	1-Q	1261628	16-A		5-J	1263935	3-G	1264799	19-B
1253491	1-Q	1261736	5-E		8-P	1263946	2-E	1264801	19-C
1257223	1-B-1	1261741	22-A		14-F		2-F	1264803	16-E
1257392	8-B	1261834	5-L		14-J	1263996	1-F	1264808	16-A
1257587	8-F	1261898	21-A	1263083	5-D	1264040	1-E	1264811	3-G
1257671	1-Q	1261958	5-K	1263313	22-E	1264041	1-E	1264840	19-C
1257672	1-Q	1262002	3-H	1263467	21-A	1264046	1-Q	1264841	19-C
1260550	14-I	1262030	19-F	1263488	8-B	1264322	3-G	1264898	11-B
1260575	13-I	1262101	3-H	1263532	21-D	1264323	3-G	1264933	23-K
1260582	13-I	1262249	21-A	1263564	5-L	1264324	3-G	1264943	8-B
1260592	13-I	1262312	8-G	1263585	17-D	1264427	19-I	1265053	3-G
1260601	13-I	1262313	8-G	1263586	17-D	1264428	19-B	1265123	5-C
1260692	13-B	1262331	1-H	1263594	3-G	1264430	5-H	1265128	3-G
1260700	17-K	1262336	8-G	1263596	3-G	1264434	16-A	1265129	3-G
1260701	17-K	1262341	23-K	1263597	3-G	1264436	16-A	1265130	8-D
1260718	5-M	1262342	23-K	1263598	3-G	1264437	16-A	1265203	21-A
1260719	3-H	1262343	23-K	1263608	14-E	1264617	3-G	1265207	21-A
1260727	8-K	1262344	23-K	1263609	14-E	1264619	3-G	1265208	21-A
1260731	21-D	1262345	23-K	1263610	14-E	1264627	16-A	1265209	21-A
1260734	14-G	1262346	23-K	1263652	5-L	1264628	16-A	1265251	21-C
1260737	23-K	1262347	23-K	1263653	5-L	1264632	16-A	1265363	5-H
1260750	8-A	1262350	23-K	1263655	5-L	1264644	16-A	1265368	2-C
1260766	23-K	1262451	23-K	1263674	17-F	1264645	16-A	1265369	2-C
1260775	8-G	1262352	23-K	1263675	17-F	1264646	16-A	1265370	2-D
	21-D	1262353	23-K	1263676	17-F	1264647	16-A	1265371	2-D
	23-A	1262354	23-K	1263677	17-F	1264648	16-A	1265377	2-D
1260802	8-I	1262355	23-K	1263678	17-F	1264652	3-G	1265382	2-C
1260803	8-I	1262357	23-K	1263679	17-F	1264659	3-G	1265383	2-C
1260806	8-I	1262358	23-K	1263686	21-C	1264662	3-G	1265384	2-D
1260808	8-I	1262359	23-K	1263689	3-G	1264663	3-G	1265385	2-D
1260810	8-I	1262360	23-K	1263697	22-E	1264664	3-G	1265390	2-D
1260825	8-I	1262361	23-K	1263700	5-B	1264665	3-G	1265391	2-D
1260836	5-M	1262362	23-K	1263701	5-B	1264666	3-B	1265451	21-A
1260837	5-M	1262363	23-K	1263702	5-B		3-G	1265452	21-A
1260838	5-M	1262364	23-K	1263703	5-B	1264668	3-G	1265485	21-A
1260870	17-K	1262365	23-K	1263704	5-B	1264669	3-G	1265526	22-A
1260871	17-K	1262366	23-K	1263705	5-B	1264670	3-G	1265569	4-F
1260887	21-B	1262367	23-K	1263707	5-B	1264671	3-G	1265599	3-C
1260888	21-B	1262380	8-I	1263736	3-G	1264673	3-G	1265600	21-A
1260889	16-E	1262382	8-I	1263790	7-A	1264674	3-G	1265604	17-F
1260904	5-M	1262387	8-I	1263800	21-A	1264675	3-G	1265634	21-C
1260905	5-M	1262389	8-I	1263801	21-A	1264678	3-G	1265635	21-C
1260906	5-M	1262431	5-J	1263802	21-A	1264679	3-G	1265637	21-B
1260913	19-H	1262457	9-M	1263803	21-A	1264680	3-G		21-C
1260946	3-B	1262459	17-A	1263810	21-A	1264681	3-G	1265638	21-B
1260948	3-B	1262522	14-A	1263836	21-B	1264682	3-G		21-C
1260969	11-C	1262533	22-E	1263854	6-C	1264685	3-G	1265640	21-C
1260971	11-C	1262540	22-E	1263857	3-G	1364686	3-G	1265642	21-B
1260979	11-C	1262600	6-A	1263859	21-A	1264687	3-G		21-C
1260981	11-C	1262605	6-G	1263862	3-G	1264688	3-G	1265645	21-B
1260983	11-C	1262652	16-D	1263864	3-G	1264690	3-G		21-C
1261055	1-H	1262695	5-N	1263866	3-G	1264692	3-G	1265649	21-B
1261057	1-B-4	1262696	5-N	1263867	3-G	1264693	3-G		21-C
1261058	1-B-4	1262734	17-A	1263871	14-I	1264696	3-G	1265650	21-B
1261059	1-B-4	1262737	17-A	1263881	5-J	1264697	3-G		21-C
1261076	11-A	1262738	17-A	1263882	5-I	1264698	3-G	1265651	21-B
1261077	11-A	1262739	17-A		14-D	1264699	3-G		21-C
1261148	11-C	1262778	17-K		14-F	1264700	3-G	1265652	21-B
1261150	11-C	1262785	19-E		14-I	1264702	3-G		21-C
1261180	22-C	1262794	5-N	1263906	17-A	1264705	3-G	1265654	21-C
1261181	22-C	1262832	5-E	1263908	17-A	1264706	3-G	1265655	21-B
1261184	22-C	1262841	5-E	1263909	17-A	1264707	3-G		21-C
1261187	2-E	1262844	5-M	1263910	17-A	1264708	3-G	1265656	21-C
	2-F	1262890	5-H	1263911	16-A	1264709	16-E	1265657	21-C
1261189	5-G	1262931	8-B		17-A	1264753	3-G	1265658	21-B
1261213	5-B	1262932	8-B	1263913	17-A	1264754	3-G		21-C
1261312	14-B	1262971	21-D	1263914	17-A	1264755	3-G	1265659	21-C
1261327	6-D	1262972	21-D	1263915	3-H	1264756	3-G	1265660	21-C
1261328	17-A	1262973	21-D		5-M	1264757	3-G	1265661	21-C
1261399	1-B-4	1262996	8-F	1263916	5-M	1264765	3-A	1265662	21-C
1261410	1-B-4	1263023	22-E	1263929	5-L	1264788	19-C	1265663	21-C
1261421	23-K	1263050	3-G		5-M	1264791	19-A	1265664	21-C
1261561	21-B	1263079	3-H	1263930	5-M	1264794	19-A	1265665	21-C











**GROUP 1-ACCESSORIES**

PART NAME	PART NO.	MODEL CODES											
		DG AND FO					DH AND FP						
		1	2	3	4	5	6	1	2	4	5	6	7
<b>GROUP 1-A AUXILIARY FLOOR MAT (SCUFF MAT)</b>													
Mat - Black	1103654	2	2	2	2	2	2	2	2	2	2	2	2
Blue	1107869	2	2	2	2	2	2	2	2	2	2	2	2
Red	1107870	2	2	2	2	2	2	2	2	2	2	2	2
Green	1107871	2	2	2	2	2	2	2	2	2	2	2	2
Grey	1107872	2	2	2	2	2	2	2	2	2	2	2	2
<b>GROUP 1-B AUXILIARY LIGHTS</b>													
<b>GROUP 1-B-1 DIRECTIONAL SIGNAL (Turn Signal)</b>													
Package - Lamps (full lens)(flush mounted)	1510401	2	2	2	2	2	2	2	2	2	2	2	2
Package - Lamps (full lens)(single face) -	1510402	2	2	2	2	2	2	2	2	2	2	2	2
Package - Lamps (full lens)(double face) -	1510403	1	1	1	1	1	1	1	1	1	1	1	1
Package - Lamps (arrow lens)(flush mounted)	1510404	2	2	2	2	2	2	2	2	2	2	2	2
Package - Lamps (arrow lens)(single face)-	1510405	2	2	2	2	2	2	2	2	2	2	2	2
Package - Lamps (arrow lens)(double face)-	1510406	1	1	1	1	1	1	1	1	1	1	1	1
Package - Switch and cable - - - - -	1510400	1	1	1	1	1	1	1	1	1	1	1	1
<b>Serviceable Parts - Dir. signal switch and cable</b>													
Switch - Lamp- - - - -	1391899	1	1	1	1	1	1	1	1	1	1	1	1
Bracket - Switch mounting- - - - -	1394267	2	2	2	2	2	2	2	2	2	2	2	2
Strap - Switch mounting- - - - -	1394266	1	1	1	1	1	1	1	1	1	1	1	1
Screw - Strap- - - - -	132133	1	1	1	1	1	1	1	1	1	1	1	1
Nut - Strap screw- - - - -	120614	1	1	1	1	1	1	1	1	1	1	1	1
Plate - Switch control - - - - -	1394268	1	1	1	1	1	1	1	1	1	1	1	1
Screw - Plate mounting - - - - -	132900	1	1	1	1	1	1	1	1	1	1	1	1
Flasher - Lamp switch - - - - -	1257223	1	1	1	1	1	1	1	1	1	1	1	1
Screw - Flasher mounting - - - - -	131375	1	1	1	1	1	1	1	1	1	1	1	1
Nut - Flasher mounting screw - - - - -	120375	1	1	1	1	1	1	1	1	1	1	1	1
L/Washer - Screw - - - - -	120380	1	1	1	1	1	1	1	1	1	1	1	1
Cable - Fuse container (use 12"-211318 cable - 2-200393 term.-2-926026 sleeve)-	.....	1	1	1	1	1	1	1	1	1	1	1	1
Fuse - (14 amp.) - - - - -	147685	1	1	1	1	1	1	1	1	1	1	1	1
Package - Fuse (20 boxes - 5 per box)(14 amp.) - - - - -	830821	*	*	*	*	*	*	*	*	*	*	*	*
Spring - Fuse container- - - - -	1265775	1	1	1	1	1	1	1	1	1	1	1	1
Body - Fuse container- - - - -	1265772	1	1	1	1	1	1	1	1	1	1	1	1
Contact - Fuse container cable - - - - -	1265774	2	2	2	2	2	2	2	2	2	2	2	2
Cap - Fuse container - - - - -	1265773	1	1	1	1	1	1	1	1	1	1	1	1
Cable - Lt. front signal to switch (use 37" of 211318 cable-2-665151 term.)- -	.....	1	1	1	1	1	1	1	1	1	1	1	1
Cable - Rt. front signal to switch (use 82" of 211318 cable-2-665151 term.)- -	.....	1	1	1	1	1	1	1	1	1	1	1	1
Cable - Lt. rear signal to switch (use as req'd of 211318 cable 2-665151 term.)	.....	1	1	1	1	1	1	1	1	1	1	1	1
Cable - Rt. rear signal to switch (use as req'd of 211318 cable-2-665151 term.)	.....	1	1	1	1	1	1	1	1	1	1	1	1
Connector - Cable - - - - -	611898	9	9	9	9	9	9	9	9	9	9	9	9
<b>GROUP 1-B-2 DRIVING LIGHT BULB</b>													
Bulb - Driving light sealed Unit (clear) -	1087959	*	*	*	*	*	*	*	*	*	*	*	*

Indicates amount used as required.

† Indicates parts included in packages.

**GROUP 1 - ACCESSORIES**

PART NAME	PART NO.	MODEL CODES											
		DG AND FO					DH AND FP						
		1	2	3	4	5	6	1	2	4	5	6	7
<b>GROUP 1-B AUXILIARY LIGHTS (Cont'd)</b>													
<b>GROUP 1-B-3 FOG LIGHTS AND BRACKETS</b>													
Package - Dual fog lights and brackets - -	1107001	1	1	1	1	1	1	1	1	1	1	1	1
Assembly - Single fog light (less bracket)	1107478	2	2	2	2	2	2	2	2	2	2	2	2
Package - Switch and cable - - - - -	688081	1	1	1	1	1	1	1	1	1	1	1	1
<b>Serviceable Parts - Fog light (single)</b>													
Shell	986322	1	1	1	1	1	1	1	1	1	1	1	1
Bulb - Sealed unit - - - - -	1107889	1	1	1	1	1	1	1	1	1	1	1	1
Ring - Bulb retaining (with 974259 light)-	986398	1	1	1	1	1	1	1	1	1	1	1	1
Spring - Bulb retaining (with 974259 light)	986899	3	3	3	3	3	3	3	3	3	3	3	3
Ring Assy - Bulb retaining (with 1107478 light)-	1107890	1	1	1	1	1	1	1	1	1	1	1	1
Screw - Door - - - - -	156826	1	1	1	1	1	1	1	1	1	1	1	1
Cable - Fog lamp - assy. - - - - -	986324	1	1	1	1	1	1	1	1	1	1	1	1
Terminal - Cable- - - - -	665151	1	1	1	1	1	1	1	1	1	1	1	1
Connector - Cable - - - - -	689867	1	1	1	1	1	1	1	1	1	1	1	1
Cable - Ground - - - - -	986325	1	1	1	1	1	1	1	1	1	1	1	1
Clip - Ground cable- - - - -	986337	1	1	1	1	1	1	1	1	1	1	1	1
Screw - Ground cable - - - - -	122159	1	1	1	1	1	1	1	1	1	1	1	1
L/Washer - Ground cable screw- - - - -	121841	1	1	1	1	1	1	1	1	1	1	1	1
Bolt - Mounting- - - - -	986326	1	1	1	1	1	1	1	1	1	1	1	1
Nut - Mounting bolt- - - - -	120370	1	1	1	1	1	1	1	1	1	1	1	1
Lockwasher - Mounting bolt nut- - - - -	120383	1	1	1	1	1	1	1	1	1	1	1	1
	688080	1	1	1	1	1	1	1	1	1	1	1	1
Switch - Switch feed (use 24" of 385573													
Cable Cable - 2-200393 term.-2-926026 sleeve)-	.....	1	1	1	1	1	1	1	1	1	1	1	1
Cable - Switch to connector (use 88" of 385573 cable - 1-200393 term.- - - 1-665151 term.-1-926026 sleeve)	.....	1	1	1	1	1	1	1	1	1	1	1	1
Cable - Switch to tail lamp (use 24" of 385573 cable - 1-200393 term.- - - 1-926026 sleeve) - - - - -	.....	1	1	1	1	1	1	1	1	1	1	1	1
<b>Serviceable Parts - Single bracket</b>													
Bracket - Mounting - upper - - - - -	1106064	1	1	1	1	1	1	1	1	1	1	1	1
Bracket - Mounting - lower - - - - -	1384092	1	1	1	1	1	1	1	1	1	1	1	1
Stud - Lower mounting bracket- - - - -	1384032	1	1	1	1	1	1	1	1	1	1	1	1
Screw - Lower mounting bracket set - - - -	102569	3	3	3	3	3	3	3	3	3	3	3	3
Bolt - Upper to lower bracket - - - - -	120854	2	2	2	2	2	2	2	2	2	2	2	2
L/Washer - Upper to lower bracket bolt- -	121753	2	2	2	2	2	2	2	2	2	2	2	2
Adapter - Bracket- - - - -	976148	1	1	1	1	1	1	1	1	1	1	1	1
<b>GROUP 1-B-4 SPOTLIGHT (Mounted Type)</b>													
Package - Spotlight (less brackets)- - -	1105338	2	2	2	2	2	2	..	..	..	..	..	..
Package - Spotlight Mounting Bracket - rt.	1105772	1	1	1	1	1	1	..	..	..	..	..	..
Package - Spotlight Mounting Bracket - lt.	1105486	1	1	1	1	1	1	..	..	..	..	..	..
Package - Spotlight (less brackets)- - -	1495933	..	..	..	..	..	..	1	1	1	1	1	1
Package - Spotlight (with mirror)(less brackets)- - - - -	1495932	..	..	..	..	..	..	1	1	1	1	1	1
Package - Spotlight Mounting Bracket - lt.	1261410	..	..	..	..	..	..	1	1	1	1	1	1

Indicates amount used as required.

† Indicates parts included in packages.

GROUP 1 - ACCESSORIES

PART NAME	PART NO.	MODEL CODES											
		DG AND FO						DH AND FP					
		1	2	3	4	5	6	1	2	4	5	6	7
<b>GROUP 1-B AUXILIARY LIGHTS (CONT'D)</b>													
<b>GROUP 1-B-4 SPOTLIGHT (Mounted Type) (Cont'd)</b>													
<b>Serviceable Parts - Spotlight</b>													
<b>1105338 Spotlight</b>													
Moulding - Shell - - - - -	1105489	1	1	1	1	1	1	..	..	..	..	..	..
Screw - Moulding - - - - -	1105490	1	1	1	1	1	1	..	..	..	..	..	..
Lamp - Sealed beam - - - - -	1105491	1	1	1	1	1	1	..	..	..	..	..	..
Spring - Lamp - - - - -	1105492	4	4	4	4	4	4	..	..	..	..	..	..
Screw - Gear housing shaft retaining - - -	1105493	1	1	1	1	1	1	..	..	..	..	..	..
Housing - Gear (with hot wire and gear assy.)	1105494	1	1	1	1	1	1	..	..	..	..	..	..
Shaft - Drive (with insulator) - - - - -	1105495	1	1	1	1	1	1	..	..	..	..	..	..
Sleeve - Outer - - - - -	1105496	1	1	1	1	1	1	..	..	..	..	..	..
Screw - Handle locking (wedge) - - - - -	1105497	1	1	1	1	1	1	..	..	..	..	..	..
Wedge - Handle locking - - - - -	1105498	1	1	1	1	1	1	..	..	..	..	..	..
Handle - Control - - - - -	1105499	1	1	1	1	1	1	..	..	..	..	..	..
Gear - Handle (with pin and serrated shaft)	1105500	1	1	1	1	1	1	..	..	..	..	..	..
Shaft - Handle threaded connector - - - -	1105501	1	1	1	1	1	1	..	..	..	..	..	..
Bottom - Handle - - - - -	1105502	1	1	1	1	1	1	..	..	..	..	..	..
Screw - Handle bottom - - - - -	1105503	1	1	1	1	1	1	..	..	..	..	..	..
<b>SWITCH PARTS</b>													
Pin - Switch push - - - - -	1105504	1	1	1	1	1	1	..	..	..	..	..	..
Yoke - Switch - - - - -	1105505	1	1	1	1	1	1	..	..	..	..	..	..
Brush - Switch contact - - - - -	1105506	1	1	1	1	1	1	..	..	..	..	..	..
Screw - Switch locking set - - - - -	1105507	1	1	1	1	1	1	..	..	..	..	..	..
Case - Switch (blank side) - - - - -	1105508	1	1	1	1	1	1	..	..	..	..	..	..
Case - Switch (wire side) - - - - -	1105509	1	1	1	1	1	1	..	..	..	..	..	..
Screw - Switch housing retainer set - - - -	1105510	1	1	1	1	1	1	..	..	..	..	..	..
Bearing - Switch ball - - - - -	1105511	1	1	1	1	1	1	..	..	..	..	..	..
Gear - Switch (with pin) - - - - -	1105512	1	1	1	1	1	1	..	..	..	..	..	..
Wire - Switch outside line - assy. - - - -	1105513	1	1	1	1	1	1	..	..	..	..	..	..
Bushing - Switch housing friction - - - - -	1105514	1	1	1	1	1	1	..	..	..	..	..	..
Screw - Friction bushing - - - - -	1105515	1	1	1	1	1	1	..	..	..	..	..	..
Grommet - Switch cable - - - - -	1105516	1	1	1	1	1	1	..	..	..	..	..	..
Grommet - Spotlight shaft - - - - -	1105517	1	1	1	1	1	1	..	..	..	..	..	..
Screw - Bracket clamp - - - - -	1105518	1	1	1	1	1	1	..	..	..	..	..	..
Screw - Spotlight mounting - - - - -	1105519	2	2	2	2	2	2	..	..	..	..	..	..
Gasket - Mounting bracket - - - - -	1105488	1	1	1	1	1	1	..	..	..	..	..	..
<b>1495932-3 Spotlights</b>													
Bulb - (sealed beam) - - - - -	1253120	..	..	..	..	..	..	1	1	1	1	1	1
Ring - Bulb retaining - - - - -	1345180	..	..	..	..	..	..	1	1	1	1	1	1
Ring - Bulb mounting adapter - - - - -	1345182	..	..	..	..	..	..	1	1	1	1	1	1
Screw - Ring mounting - - - - -	1345184	..	..	..	..	..	..	1	1	1	1	1	1
Screw - Head cap mounting - - - - -	1233875	..	..	..	..	..	..	1	1	1	1	1	1
Gear - Headpost (assy.) - - - - -	1233870	..	..	..	..	..	..	1	1	1	1	1	1
Bushing - Headpost - - - - -	1233871	..	..	..	..	..	..	1	1	1	1	1	1
Spring - Headpost gear - - - - -	1233872	..	..	..	..	..	..	1	1	1	1	1	1
Tube - Inside (with gear) (1 3/8") - - - -	1345183	..	..	..	..	..	..	1	1	1	1	1	1
Spacer - Spotlight - - - - -	1300606	..	..	..	..	..	..	1	1	1	1	1	1
Gear - (Handle end) - - - - -	1233881	..	..	..	..	..	..	1	1	1	1	1	1
Pinion - (Handle end) - - - - -	1188416	..	..	..	..	..	..	1	1	1	1	1	1
Handle - (Upper section) - - - - -	1188413	..	..	..	..	..	..	1	1	1	1	1	1
Handle - (Lower section) - - - - -	1188414	..	..	..	..	..	..	1	1	1	1	1	1
Screw - Handle - - - - -	107083	..	..	..	..	..	..	1	1	1	1	1	1
Wedge - Handle - - - - -	1188412	..	..	..	..	..	..	1	1	1	1	1	1

Indicates amount used as required.

† Indicates parts included in packages.

**GROUP 1 - ACCESSORIES**

PART NAME	PART NO.	MODEL CODES											
		DG AND FO						DH AND FP					
		1	2	3	4	5	6	1	2	4	5	6	7
<b>GROUP 1-B AUXILIARY LIGHTS (CONT'D)</b>													
<b>GROUP 1-B-4 SPOTLIGHT (Mounted) (Cont'd)</b>													
<b>Serviceable Parts - Spotlight (Cont'd)</b> <b>1495932-3 Spotlights</b>													
Nut - Handle wedge - - - - -	1233882	..	..	..	..	..	..	1	1	1	1	1	1
Screw - Switch - - - - -	134167	..	..	..	..	..	..	1	1	1	1	1	1
Toggle - Switch - - - - -	1233878	..	..	..	..	..	..	1	1	1	1	1	1
Screw - Switch toggle - - - - -	1233879	..	..	..	..	..	..	1	1	1	1	1	1
Cap - Switch - - - - -	1188411	..	..	..	..	..	..	1	1	1	1	1	1
Screw - Switch cap mounting - - - - -	1233876	..	..	..	..	..	..	2	2	2	2	2	2
Mirror - Spotlight - - - - -	1316263	..	..	..	..	..	..	1	1	1	1	1	1
Cable - Fuse container (use as req'd of 211318 cable-1-147684 fuse-1-1265772 body-1-1265816 spring-2-1265774 contact-1-1265773 cap-1-200393 term. -1-926026 sleeve-1-665151 term.) -	.....	..	..	..	..	..	..	1	1	1	1	1	1
Bracket - Outside - - - - -	1261059	..	..	..	..	..	..	1	1	1	1	1	1
Gasket - Outside bracket - - - - -	1261058	..	..	..	..	..	..	1	1	1	1	1	1
Screw - Outside bracket - - - - -	107261	..	..	..	..	..	..	2	2	2	2	2	2
Screw - Clamp - - - - -	1163575	..	..	..	..	..	..	1	1	1	1	1	1
Bracket - Inside - - - - -	1261399	..	..	..	..	..	..	1	1	1	1	1	1
Screw - Inside bracket - - - - -	107261	..	..	..	..	..	..	1	1	1	1	1	1
Screw - Clamp - - - - -	121812	..	..	..	..	..	..	1	1	1	1	1	1
Spacer - Mounting bracket - - - - -	1261057	..	..	..	..	..	..	1	1	1	1	1	1
<b>GROUP 1-B-5 SPOTLIGHT -HAND</b>													
Package - Hand spotlight - - - - -	1512044	1	1	1	1	1	1	1	1	1	1	1	1
<b>Serviceable Parts - Hand spotlight</b>													
Bulb - Sealed beam unit - - - - -	1512045	1	1	1	1	1	1	1	1	1	1	1	1
Switch - Spotlight - - - - -	1512046	1	1	1	1	1	1	1	1	1	1	1	1
Wire - Spotlight - assy. - - - - -	1512047	1	1	1	1	1	1	1	1	1	1	1	1
<b>GROUP 1-C BATTERIES</b>													
<b>VOLTS</b>	<b>TYPE</b>	<b>PLATES</b>											
6	CP-1-80	13		830500									
6	CP-1-90	15		1103671									
6	CH-1-100	15		1510212									
6	CXH-1-110	17		830502									
6	CS-2-105	17		1103673									
6	CH-2-120	17		830504									
6	CH-3-136	17		830505									
6	CH-4-153	19		1105738									
6	CS-2L-100	17		931723									
6	CXH-2F-120	17		1510216									
6	CH-2E-110	17		1150832									
12	CP-14R-55	9		1106259									
<b>Strap -</b>	Hold down (for 830505 and 1106259)			1106097									

Indicates amount used as required.

† Indicates parts included in packages.

**GROUP 1 - ACCESSORIES**

PART NAME	PART NO.	MODEL CODES											
		DG AND FO						DH AND FP					
		1	2	3	4	5	6	1	2	4	5	6	7
<b>GROUP 1-D BRAKE AND CLUTCH PEDAL PAD</b>													
Pad - Rubber- - - - -	1272605	2	2	2	2	2	2	2	2	2	2	2	2
<b>GROUP 1-E BRAKE HOLDER</b>													
Package - Brake holder- - - - -	1266969	1	1	1	1	1	1	1	1	1	1	1	1
<b>Serviceable Parts - Brake holder</b>													
Control - Brake holder - assy.- - - - -	1263996	1	1	1	1	1	1	1	1	1	1	1	1
Plate - Switch name - - - - -	1264041	1	1	1	1	1	1	1	1	1	1	1	1
Switch - Control- - - - -	1264040	1	1	1	1	1	1	1	1	1	1	1	1
Connector - Tube (1/4") - - - - -	137405	2	2	2	2	2	2	2	2	2	2	2	2
Connector - Tube (5/16")- - - - -	137406	2	2	2	2	2	2	2	2	2	2	2	2
Nut - Tube connector (1/4") - - - - -	137397	2	2	2	2	2	2	2	2	2	2	2	2
Nut - Tube connector (5/16")- - - - -	137398	2	2	2	2	2	2	2	2	2	2	2	2
Cable - Control switch to brake control (use 160"-211318 cable-2-665151 term.)- - - - -	.....	1	1	1	1	1	1	1	1	1	1	1	1
Cable - Switch fuse container - assy. - - -	1265771	1	1	1	1	1	1	1	1	1	1	1	1
Cable - Switch fuse and container - assy. -	1265770	1	1	1	1	1	1	1	1	1	1	1	1
Fuse - (14 amp.) - - - - -	147685	1	1	1	1	1	1	1	1	1	1	1	1
<b>GROUP 1-E-1 CIGAR LIGHTER</b>													
Package - Cigar lighter (less light)- - - -	1297998	1	1	1	1	1	1	1	1	1	1	1	1
Package - Cigar lighter (with light)- - - -	1498770	1	1	1	1	1	1	1	1	1	1	1	1
<b>Serviceable Parts - Cigar lighter</b>													
<b>1297998 LIGHTER</b>													
Knob - Chrome - - - - -	1339687	1	1	1	1	1	1	1	1	1	1	1	1
Shell and clamp	1163583	1	1	1	1	1	1	1	1	1	1	1	1
Cable - Feed (use as req'd of 385571 Cable - 1-665151 term. - 1-200393 Term. - 1-926026 sleeve-1-611898 Connector)- - - - -	.....	1	1	1	1	1	1	1	1	1	1	1	1
Element- - - - -	687484	1	1	1	1	1	1	1	1	1	1	1	1
<b>1498770 LIGHTER</b>													
Knob - - - - -	1479678	1	1	1	1	1	1	1	1	1	1	1	1
Element - - - - -	687484	1	1	1	1	1	1	1	1	1	1	1	1
Shell And Clamp- - - - -	1436216	1	1	1	1	1	1	1	1	1	1	1	1
Socket And Wire Light - - - - -	1498768	1	1	1	1	1	1	1	1	1	1	1	1
Bulb - Light - - - - -	830335	1	1	1	1	1	1	1	1	1	1	1	1
<b>GROUP 1-F FROST SHIELDS (ELECTRIC)</b>													
Shield - Windshield 8"x18" frost - - - - -	1102805	2	2	2	2	2	2	2	2	2	2	2	2
Shield - Windshield 10"x20" frost - - - - -	1102806	2	2	2	2	2	2	2	2	2	2	2	2
Shield - Windshield 12"x22" frost - - - - -	1104230	2	2	2	2	2	2	2	2	2	2	2	2
Switch - Electric frost shield- - - - -	1103881	1	1	1	1	1	1	1	1	1	1	1	1
<b>GROUP 1-G FUEL TANK LOCKING CAP (KEY TYPE)</b>													
Package - Cap - - - - -	1117771	1	1	1	1	1	1	1	1	1	1	1	1

Indicates amount used as required.

† Indicates parts included in packages.

**GROUP 1-ACCESSORIES**

PART NAME	PART NO.	MODEL CODES											
		DG AND FO					DH AND FP						
		1	2	3	4	5	6	1	2	4	5	6	7
<b>GROUP 1-G FUEL TANK LOCKING CAP (KEY TYPE) (Cont'd)</b>													
<b>Serviceable Parts - Fuel Tank Locking Cap</b>													
Gasket - Base (4 bolt holes) - - - - -	1103296	1	1	1	1	1	1	1	1	1	1	1	1
Gasket - Cap - - - - -	1329268	1	1	1	1	1	1	1	1	1	1	1	1
Retainer - Base - - - - -	1510397	2	2	2	2	2	2	2	2	2	2	2	2
Screw - Base retaining - - - - -	1510398	2	2	2	2	2	2	2	2	2	2	2	2
Key - Cut (U Series) - - - - -	312773	1	1	1	1	1	1	1	1	1	1	1	1
Key - Cut (H Series) - - - - -	906823	1	1	1	1	1	1	1	1	1	1	1	1
<b>GROUP 1-H HEATER</b>													
<b>Serviceable Parts - Heater</b>													
Package - Chryco deluxe heater - - - - -	1106574	1	1	1	1	1	1	1	1	1	1	1	1
Package - Heater windshield defroster - - -	1106576	1	1	1	1	1	1	1	1	1	1	1	1
Package - Fresh air intake - - - - -	1106620	1	1	1	1	1	1	1	1	1	1	1	1
Knob - Defroster control - - - - -	1107379	1	1	1	1	1	1	1	1	1	1	1	1
Cap - Heater name plate - - - - -	1107520	1	1	1	1	1	1	1	1	1	1	1	1
Wheel - Heater blower - - - - -	1107198	1	1	1	1	1	1	1	1	1	1	1	1
Screw - Blower wheel set - - - - -	139011	1	1	1	1	1	1	1	1	1	1	1	1
Motor - Heater - - - - -	1107184	1	1	1	1	1	1	1	1	1	1	1	1
Brush Set - Heater Motor - - - - -	1107733	1	1	1	1	1	1	1	1	1	1	1	1
Spring - Brush - - - - -	1107734	2	2	2	2	2	2	2	2	2	2	2	2
Gasket - Motor mounting - - - - -	1107522	1	1	1	1	1	1	1	1	1	1	1	1
Grommet - Motor mounting - - - - -	1107523	2	2	2	2	2	2	2	2	2	2	2	2
Bumper - Deflector door - - - - -	1107524	1	1	1	1	1	1	1	1	1	1	1	1
Clip - Motor lead wire - - - - -	1107525	1	1	1	1	1	1	1	1	1	1	1	1
Core - Heater - - - - -	1107215	1	1	1	1	1	1	1	1	1	1	1	1
Grommet - Core to dash - - - - -	976056	2	2	2	2	2	2	2	2	2	2	2	2
Strip - Rubber - - - - -	1107526	4	4	4	4	4	4	4	4	4	4	4	4
Switch - Heater - - - - -	1106571	1	1	1	1	1	1	1	1	1	1	1	1
Fuse - Switch (20 amp.) - - - - -	106653	1	1	1	1	1	1	1	1	1	1	1	1
Package - Fuse (20 amp.)(20 boxes of 5 fuses per box) - - - - -	830823	*	*	*	*	*	*	*	*	*	*	*	*
Knob - Heater switch control - - - - -	1106573	1	1	1	1	1	1	1	1	1	1	1	1
Nut - Switch mounting - - - - -	1106569	1	1	1	1	1	1	1	1	1	1	1	1
Washer - Switch mounting nut - - - - -	1106570	1	1	1	1	1	1	1	1	1	1	1	1
Connector - Switch to motor cable - - - - -	611898	1	1	1	1	1	1	1	1	1	1	1	1
Hose - Heater (By the foot)(1ply) - - - - -	1063681	*	*	*	*	*	*	*	*	*	*	*	*
Hose - Heater (50 ft. of 1063681)(1 ply) -	1103930	*	*	*	*	*	*	*	*	*	*	*	*
Hose - Heater (By the foot)(2 ply) - - - - -	1104739	*	*	*	*	*	*	*	*	*	*	*	*
Package - 2 ply hose dispenser (100 ft. of 1104739) - - - - -	1104738	*	*	*	*	*	*	*	*	*	*	*	*
Clamp - Hose (Universal type) - - - - -	870469	4	4	4	4	4	4	4	4	4	4	4	4
Package - Hose clamp assortment - - - - -	1105169	*	*	*	*	*	*	*	*	*	*	*	*
Valve - Water - - - - -	670647	1	1	1	1	1	1	1	1	1	1	1	1
Elbow - Water return - - - - -	1436113	1	1	1	1	1	1	1	1	1	1	1	1
Clamp - Hose to engine - - - - -	860552	1	1	1	1	1	1	1	1	1	1	1	1
Bolt - Hose to engine clamp - - - - -	132255	1	1	1	1	1	1	1	1	1	1	1	1
Nut - Clamp bolt - - - - -	131395	1	1	1	1	1	1	1	1	1	1	1	1
L/Washer - Clamp bolt nut - - - - -	120280	1	1	1	1	1	1	1	1	1	1	1	1
Nut - Heater Mounting - - - - -	120377	4	4	4	4	4	4	4	4	4	4	4	4
P/Washer - Mounting nut - - - - -	120394	4	4	4	4	4	4	4	4	4	4	4	4
L/Washer - Mounting nut - - - - -	178551	4	4	4	4	4	4	4	4	4	4	4	4
Cable - Heater switch feed (use 28" of 385573 cable-1-665151 term. - 1-200393 term. - 1-926026 sleeve)-	.....	1	1	1	1	1	1	1	1	1	1	1	1
Cable - Switch to motor (use 28" of 385573 cable-2-665151 term.) - - - - -	.....	1	1	1	1	1	1	1	1	1	1	1	1

Indicates amount used as required.

† Indicates parts included in packages.



**GROUP 1 - ACCESSORIES**

PART NAME	PART NO.	MODEL CODES											
		DG AND FO						DH AND FP					
		1	2	3	4	5	6	1	2	4	5	6	7
<b>GROUP 1-H HEATER (CONT'D)</b>													
<b>Serviceable Parts - Defroster</b>													
Nozzle - Defroster - - - - -	1195717	2	2	2	2	2	2	2	2	2	2	2	2
Screw - Nozzle mounting- - - - -	162900	4	4	4	4	4	4	4	4	4	4	4	4
Outlet - Defroster - - - - -	1106076	1	1	1	1	1	1	1	1	1	1	1	1
Screw - Outlet - - - - -	162900	1	1	1	1	1	1	1	1	1	1	1	1
Hose - Defroster - - - - -	1262331	1	1	1	1	1	1	1	1	1	1	1	1
<b>Serviceable Parts - Fresh air intake</b>													
Valve - Fresh air shut off - - - - -	1195681	1	1	1	1	1	1	1	1	1	1	1	1
Gasket - Valve - - - - -	1195702	1	1	1	1	1	1	1	1	1	1	1	1
Screw - Valve mounting - - - - -	162900	4	4	4	4	4	4	4	4	4	4	4	4
Intake - Fresh air - - - - -	1195711	1	1	1	1	1	1	1	1	1	1	1	1
Nut - Intake mounting- - - - -	120376	2	2	2	2	2	2	2	2	2	2	2	2
L/Washer - Intake mounting nut - - - - -	120214	2	2	2	2	2	2	2	2	2	2	2	2
Hose - Intake - - - - -	1195720	1	1	1	1	1	1	1	1	1	1	1	1
Control - Fresh air and temp.- - - - -	1188439	2	2	2	2	2	2	2	2	2	2	2	2
Nut - Control mounting - - - - -	1189496	2	2	2	2	2	2	2	2	2	2	2	2
Knob - Control (fresh air) - - - - -	1195674	1	1	1	1	1	1	1	1	1	1	1	1
Knob - Control (temp.) - - - - -	1195675	1	1	1	1	1	1	1	1	1	1	1	1
Valve - Water- - - - -	1345788	1	1	1	1	1	1	1	1	1	1	1	1
Shroud -fresh air - - - - -	1107026	1	1	1	1	1	1	1	1	1	1	1	1
Washer - Control mounting nut- - - - -	1244796	2	2	2	2	2	2	2	2	2	2	2	2
Support - Intake hose - - - - -	1261055	1	1	1	1	1	1	1	1	1	1	1	1
Bolt - Support mounting- - - - -	120583	1	1	1	1	1	1	1	1	1	1	1	1
Nut - Support mounting bolt- - - - -	120375	1	1	1	1	1	1	1	1	1	1	1	1
L/Washer - Support mounting bolt nut - - - - -	120380	1	1	1	1	1	1	1	1	1	1	1	1
Grommet - Dash - - - - -	988059	2	2	2	2	2	2	2	2	2	2	2	2
Clip - Temp. control mounting- - - - -	684158	1	1	1	1	1	1	1	1	1	1	1	1
<b>GROUP 1-J HOOD CENTER PANEL ORNAMENT</b>													
Package - Ornament (Dodge) - - - - -	1107055	1	1	1	1	1	1	1	1	1	1	1	1
Package - Ornament (Fargo) - - - - -	1107056	1	1	1	1	1	1	1	1	1	1	1	1
<b>Serviceable Parts - Hood Center Panel Ornament</b>													
Screw - Ornament - - - - -	121797	3	3	3	3	3	3	3	3	3	3	3	3
L/Washer - Ornament screw- - - - -	1097771	3	3	3	3	3	3	3	3	3	3	3	3
<b>GROUP 1-K POWER PAK</b>													
Unit - Power pak tire inflater and fire extinguisher - - - - -	1103002	1	1	1	1	1	1	1	1	1	1	1	1
<b>Serviceable Parts - Power Pak</b>													
Nozzle - Special - - - - -	1103003	1	1	1	1	1	1	1	1	1	1	1	1
Bracket - Mounting - - - - -	1103004	1	1	1	1	1	1	1	1	1	1	1	1
Hose - Tire- - - - -	1103005	1	1	1	1	1	1	1	1	1	1	1	1
Wheel - (with valve) - - - - -	1103006	1	1	1	1	1	1	1	1	1	1	1	1
Handwheel - (only) - - - - -	1103007	1	1	1	1	1	1	1	1	1	1	1	1

Indicates amount used as required.

† Indicates parts included in packages.

**GROUP 1 - ACCESSORIES**

PART NAME	PART NO.	PART NAME	PART NO.
<b>GROUP 1-L PROTECTIVE AND MAINTENANCE MATERIALS</b>		<b>Fabric Cleaner</b>	
<b>Anti-Freeze (Chryco Glycol)</b>  Imperial quart - - - - - Imperial gallon- - - - -	830398 830397	Imperial 1/2 pint- - - - - Imperial pint- - - - - Imperial gallon- - - - -	396337 396338 396340
<b>Carburetor Cleaner</b>  1 gallon can - - - - - 4 gallon can (with dip basket) - 5 gallon can (less dip basket) -	1510615 1144663 1144664	<b>Glass Cleaner</b>  16 oz. can - - - - -	1103363
<b>Cement - General Purpose</b>  5 oz. tube - - - - - Pint can - - - - -	1105761 1105762	<b>Handrubbing Compound</b>  Imperial quart - - - - - Imperial gallon- - - - -	648742 648743
<b>Chromium Polish</b>  10 oz. can - - - - -	1106283	<b>Plastigage</b>  Package of 12 sticks - - - - -	1103430
<b>Chrome Protector</b>  8 oz. can- - - - - 128 oz. can- - - - -	1326001 1107305	<b>Polish &amp; Cleaner (Speedclene)</b>  Imperial pint- - - - - Imperial gallon- - - - -	638486 638487
<b>Cooling System Cleanser</b>  12 oz. can - - - - -	1144525	<b>Polishing Cloth</b>  1/2 pound package- - - - - 1 pound package- - - - -	1102895 931673
<b>Distributor Cam Lubricant</b>  2 oz. tube - - - - -	1473595	<b>Polishing Wax</b>  7 oz. can- - - - -	1105185
<b>Door Ease Dripless Penetrating Oil</b>  4 oz. oiler- - - - - U.S. quart - - - - - U.S. gallon- - - - -	1087613 931611 931610	<b>Pre-Wax Cleaner</b>  16 fluid oz. can - - - - -	830660
<b>Door Ease Lubricating Stick</b>  Individual stick (large) - - - Package of 12 sticks (small) - -	1087860 1064769	<b>Radiator Rust Resistor</b>  Imperial pint- - - - - Imperial gallon- - - - -	396746 396747
		<b>Radiator Stop Leak</b>  10 oz. can - - - - -	830667

**GROUP 1-ACCESSORIES**

PART NAME	PART NO.	PART NAME	PART NO.
<b>GROUP 1-L PROTECTIVE AND MAINTENANCE MATERIALS (CONT'D)</b>			
<b>Sealing Compound (Liquid Type)</b>			
2 oz. tube - - - - -	1150808	<b>Tire Static Suppression Powder</b>	1233883 1233884
5 1/2 oz. tube - - - - -	656073		
16 oz. can (with brush)- - - -	1057794		
<b>Sealing Compound (Putty Type)</b>			
Imperial pint- - - - -	630512	<b>Traction (Tire Grip Powder)</b>	
<b>Speed Mit</b>			
Mit - speed- - - - -	830334	2 lb. carton- - - - - 1510612	
<b>Speedometer Cable Lubricant</b>			
1 lb. can- - - - -	1103615	<b>Universal Wash</b>	
<b>Speedometer Head Lubricating Oil</b>			
1 oz. can- - - - -	1265805	Quart can - - - - - 1102807	
<b>Spring Lubricant (Rust Inhibitor)</b>			
5 lb. can- - - - -	1102751	Gallon can- - - - - 1102808	
<b>Sure Seal (Chryco)</b>			
40 feet- - - - -	1105846	5 gal. (steel drum) - - - - - 1102809	
125 feet - - - - -	1104620	25 gal. (returnable drum) - - - 1102828	
		45 gal. (returnable drum) - - - 1102829	
		25 gal. (non-returnable drum) - 1102830	
		45 gal. (non-returnable drum) - 1102831	
		<b>Upholstery Cleaner</b>	
		8 oz. bottle- - - - - 680439	
		40 oz. bottle - - - - - 680440	
		160 oz. gallon - - - - - 680441	
		<b>White Wall Tire Cleaner</b>	
		6 oz. bottle- - - - - 1510571	
		1 gallon can- - - - - 1510570	

PART NAME	PART NO.	MODEL CODES													
		DG AND FO						DH AND FP							
		1	2	3	4	5	6	1	2	4	5	6	7		
<b>GROUP 1-M SEAT PAD</b>															
Assembly - Eze - ride seat pad- - - - -	1103106	2	2	2	2	2	2	2	2	2	2	2	2	2	
<b>GROUP 1-N SUN MASTER OUTSIDE VISOR</b>															
Package - Sun master outside visor- - - -	1510973	1	1	1	1	1	1	1	1	1	1	1	1	1	

# GROUP 1 - ACCESSORIES

PART NAME	PART NO.	MODEL CODES											
		DG AND FO				DH AND FP							
		1	2	3	4	5	6	1	2	4	5	6	7
<b>GROUP 1-N SUN MASTER OUTSIDE VISOR (CONT'D)</b>													
<b>Serviceable Parts - Sun Master</b>													
Panel - Center - rt. - - - - -	1106104	1	1	1	1	1	1	1	1	1	1	1	1
Panel - Center - lt. - - - - -	1106105	1	1	1	1	1	1	1	1	1	1	1	1
Cap - End - rt. - - - - -	1106106	1	1	1	1	1	1	1	1	1	1	1	1
Cap - End - lt. - - - - -	1106107	1	1	1	1	1	1	1	1	1	1	1	1
Strip - Centre chrome - - - - -	1104734	1	1	1	1	1	1	1	1	1	1	1	1
Bracket - End - rt. - - - - -	1106108	1	1	1	1	1	1	1	1	1	1	1	1
Bracket - End - lt. - - - - -	1106109	1	1	1	1	1	1	1	1	1	1	1	1
Bar - Centre (chrome) - - - - -	1106110	1	1	1	1	1	1	1	1	1	1	1	1
Clamp - Centre bar (chrome) - - - - -	1106111	2	2	2	2	2	2	2	2	2	2	2	2
Nut - End clamp wedge - - - - -	1511161	4	4	4	4	4	4	4	4	4	4	4	4
Screw - End attaching - - - - -	158669	4	4	4	4	4	4	4	4	4	4	4	4
L/Washer - End attaching screw - - - - -	121753	4	4	4	4	4	4	4	4	4	4	4	4
Nut - End attaching screw - - - - -	118555	4	4	4	4	4	4	4	4	4	4	4	4
Screw - Centre strip attaching - - - - -	134325	5	5	5	5	5	5	5	5	5	5	5	5
Washer - Centre strip attaching screw cup	1106113	5	5	5	5	5	5	5	5	5	5	5	5
Screw - End cap to centre panel - - - - -	111684	4	4	4	4	4	4	4	4	4	4	4	4
Screw - Centre bar clamp - - - - -	116321	1	1	1	1	1	1	1	1	1	1	1	1
Nut - Centre bar clamp screw - - - - -	1106114	1	1	1	1	1	1	1	1	1	1	1	1
Screw - Centre bar - - - - -	123309	2	2	2	2	2	2	2	2	2	2	2	2
Nut - Centre bar - - - - -	131716	2	2	2	2	2	2	2	2	2	2	2	2
Plate - Centre strip retainer - - - - -	1107352	1	1	1	1	1	1	1	1	1	1	1	1
Screw - End attaching - - - - -	158682	4	4	4	4	4	4	4	4	4	4	4	4
<b>GROUP 1-P WATER-JACKET HEATER</b>													
Package - Water jacket heater (electric)-	656607	1	1	1	1	1	1	1	1	1	1	1	1
<b>Serviceable Parts - Water jacket heater</b>													
Wire And Connections - - - - -	656620	1	1	1	1	1	1	1	1	1	1	1	1
Washer - Mounting - - - - -	656685	1	1	1	1	1	1	1	1	1	1	1	1
Washer - Mounting bolt - - - - -	656686	2	2	2	2	2	2	2	2	2	2	2	2
Stud - - - - -	656687	2	2	2	2	2	2	2	2	2	2	2	2
Nut - Stud - - - - -	656688	2	2	2	2	2	2	2	2	2	2	2	2
Cap - - - - -	656689	1	1	1	1	1	1	1	1	1	1	1	1
Nut - Cap - - - - -	656690	2	2	2	2	2	2	2	2	2	2	2	2
<b>GROUP 1-Q WINDSHIELD WASHER</b>													
Package - Windshield washer - - - - -	1253488	1	1	1	1	1	1	1	1	1	1	1	1
Solvent - Windshield washer (6 oz. bottle)	1237316	1	1	1	1	1	1	1	1	1	1	1	1
<b>Serviceable Parts - Windshield Washer</b>													
Jar - - - - -	1241058	1	1	1	1	1	1	1	1	1	1	1	1
Bracket - - - - -	1241059	1	1	1	1	1	1	1	1	1	1	1	1
Cover - - - - -	1241060	1	1	1	1	1	1	1	1	1	1	1	1
Screw - Bracket mounting - - - - -	143152	3	3	3	3	3	3	3	3	3	3	3	3
Knob- Foot control (with mounting spring)	1241063	1	1	1	1	1	1	1	1	1	1	1	1
Spring - Foot control compression - - - - -	1241066	1	1	1	1	1	1	1	1	1	1	1	1
Nut - Control mounting - - - - -	1241067	1	1	1	1	1	1	1	1	1	1	1	1
Nut - Mounting spacer - - - - -	120370	1	1	1	1	1	1	1	1	1	1	1	1
Pump - Foot control - - - - -	1253491	1	1	1	1	1	1	1	1	1	1	1	1

Indicates amount used as required.

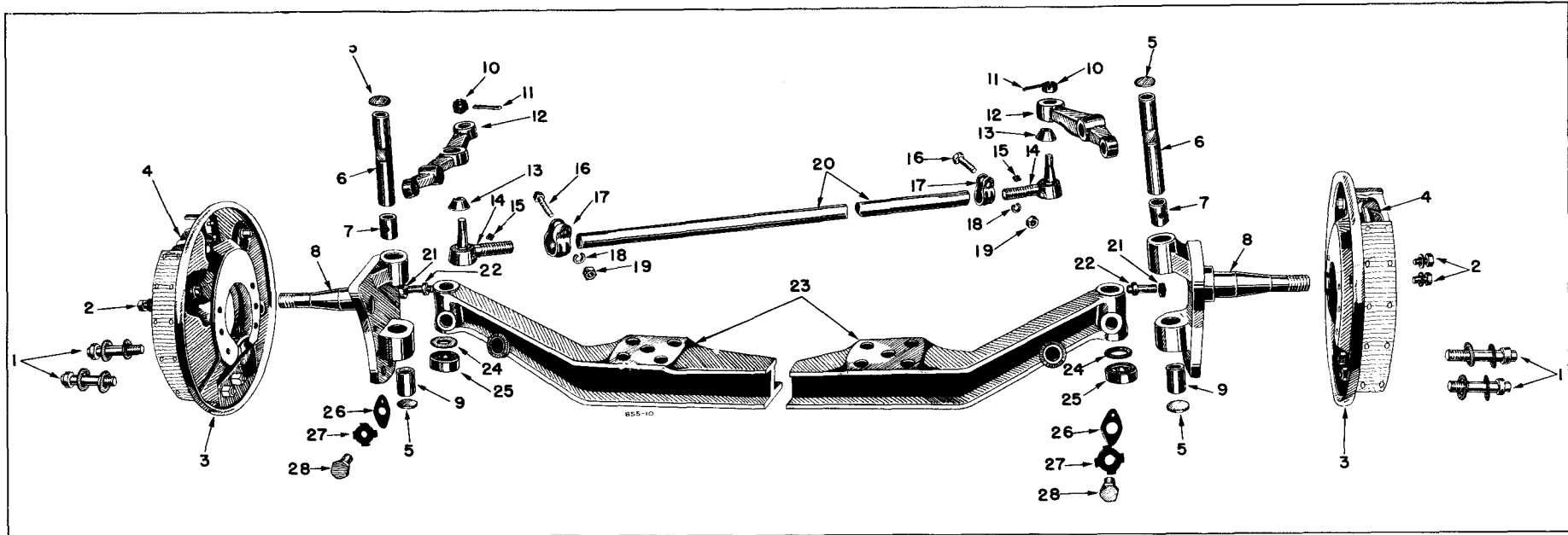
† Indicates parts included in packages.

### GROUP 1 - ACCESSORIES

PART NAME	PART NO.	MODEL CODES										
		DG AND FO					DH AND FP					
		1	2	3	4	5	6	1	2	4	5	6
<b>GROUP 1-Q WINDSHIELD WASHER (Cont'd)</b>												
Serviceable Parts - Windshield washer (Cont'd)												
Clamp - Tube - - - - -	1257671	1	1	1	1	1	1	1	1	1	1	1
Gasket - Clamp- - - - -	1257672	1	1	1	1	1	1	1	1	1	1	1
Screw - Clamp mounting - - - - -	166572	2	2	2	2	2	2	2	2	2	2	2
Nut - Tube mounting - - - - -	1241072	1	1	1	1	1	1	1	1	1	1	1
Hose - Check valve to pump (large) 30" - 1/4" I.D.- - - - -	1253485	1	1	1	1	1	1	1	1	1	1	1
Hose - Check valve to jar (large) 7 1/2"- 1/4" I.D.- - - - -	1253486	1	1	1	1	1	1	1	1	1	1	1
Hose - Check valve to nozzle (small) 50"- 5/32" I.D.- - - - -	1253487	1	1	1	1	1	1	1	1	1	1	1
Strainer- - - - -	1244670	1	1	1	1	1	1	1	1	1	1	1
Valve - Check - - - - -	1253489	1	1	1	1	1	1	1	1	1	1	1
Retainer - Nozzle tube gasket (on div. bar)	1264046	1	1	1	1	1	1	1	1	1	1	1
Package - Nozzle and mounting washer (on cowl) - - - - -	1345616	1	1	1	1	1	1	1	1	1	1	1
<b>GROUP 1-R WINDSHIELD WIPER "CLEAR FLEX" BLADE</b>												
Blade - Complete 12" "Clear - Flex" - - -	1339656	2	2	2	2	2	2	2	2	2	2	2
Refill - Blade (includes 2-flexors & 2 retainers) - - - - -	1339657	2	2	2	2	2	2	2	2	2	2	2
Retainer - Refill - - - - -	1244727	4	4	4	4	4	4	4	4	4	4	4
<b>NOTES:</b>												

Indicates amount used as required.

† Indicates parts included in packages.



Ref. No.	Part Name	Group
1	Front wheel brake shoe anchor bolt - oil washer and retainer.....	5-D
2	Front wheel brake support screw and lockwasher.....	5-C
3	Front wheel brake support.....	5-C
4	Front wheel cylinder assembly.....	5-L
5	King pin oil seal plug.....	2-b
6	King pin.....	2-B
7	King pin or steering knuckle bushing.....	2-C
8	Steering knuckle.....	2-C
9	King pin or steering knuckle bushing.....	2-C
10	Tie rod end nut.....	2-E
11	Tie rod end nut cotter.....	2-E
12	Steering knuckle arm.....	2-D
13	Tie rod end dust cover.....	2-E
14	Tie rod end - service in package.....	2-E

Ref. No.	Part Name	Group
15	Tie rod end grease nipple.....	2-E
16	Tie rod end clamp bolt.....	2-E
17	Tie rod end clamp.....	2-E
18	Tie rod end clamp bolt lockwasher.....	2-E
19	Tie rod end clamp bolt nut.....	2-E
20	Tie rod.....	2-E
21	Steering knuckle stop screw nut.....	2-C
22	Steering knuckle stop screw.....	2-C
23	Front axle I-Beam.....	2-A
24	Steering knuckle bearing shim.....	2-C
25	Steering knuckle bearing.....	2-C
26	King pin set screw spring washer.....	2-B
27	King pin set screw lock.....	2-B
28	King pin set screw.....	2-B

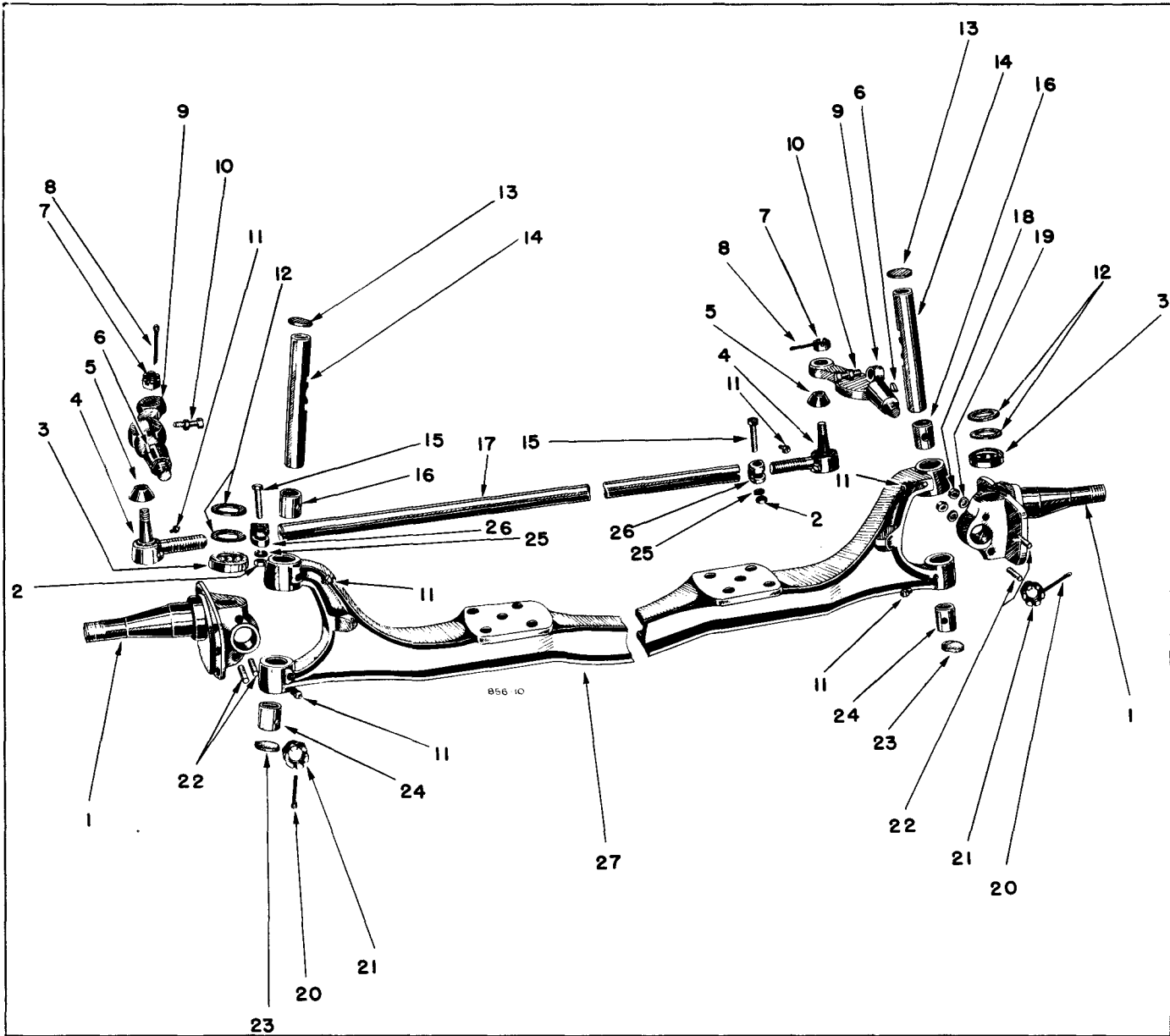
GROUP 2 - FRONT AXLE

MODELS

FRONT AXLE - ELLIOTT TYPE

Except 1/2 and 1 Ton

Plate 2



Ref. No.	Part Name	Group	Ref. No.	Part Name	Group
1	Steering Knuckle.....	2-C	15	Tie rod end clamp bolt.....	2-E
2	Tie rod end clamp bolt nut.....	2-E	16	King pin or axle I-Beam bushing - upper...	2-A
3	Steering knuckle bearing.....	2-C	17	Steering tie rod.....	2-E
4	Tie rod end - service in package.....	2-E	18	King pin lock pin nut.....	2-B
5	Tie rod end dust cover.....	2-E	19	King pin lock pin lockwasher.....	2-B
6	Steering knuckle arm key.....	2-D	20	Steering knuckle arm cotter.....	2-D
7	Tie rod end nut.....	2-E	21	Steering knuckle arm nut.....	2-D
8	Tie rod end nut cotter pin.....	2-E	22	King pin lock pin.....	2-B
9	Steering knuckle arm.....	2-D	23	King pin oil seal plug.....	2-B
10	Steering knuckle arm stop screw.....	2-D	24	King pin or axle I-Beam bushing - lower...	2-A
11	King pin grease nipple.....	2-B	25	Tie rod end clamp bolt lockwasher.....	2-E
12	Steering knuckle bearing shim.....	2-C	26	Tie rod end clamp.....	2-E
13	King pin oil seal plug.....	2-B	27	Front axle I-Beam.....	2-A
14	King pin.....	2-B			



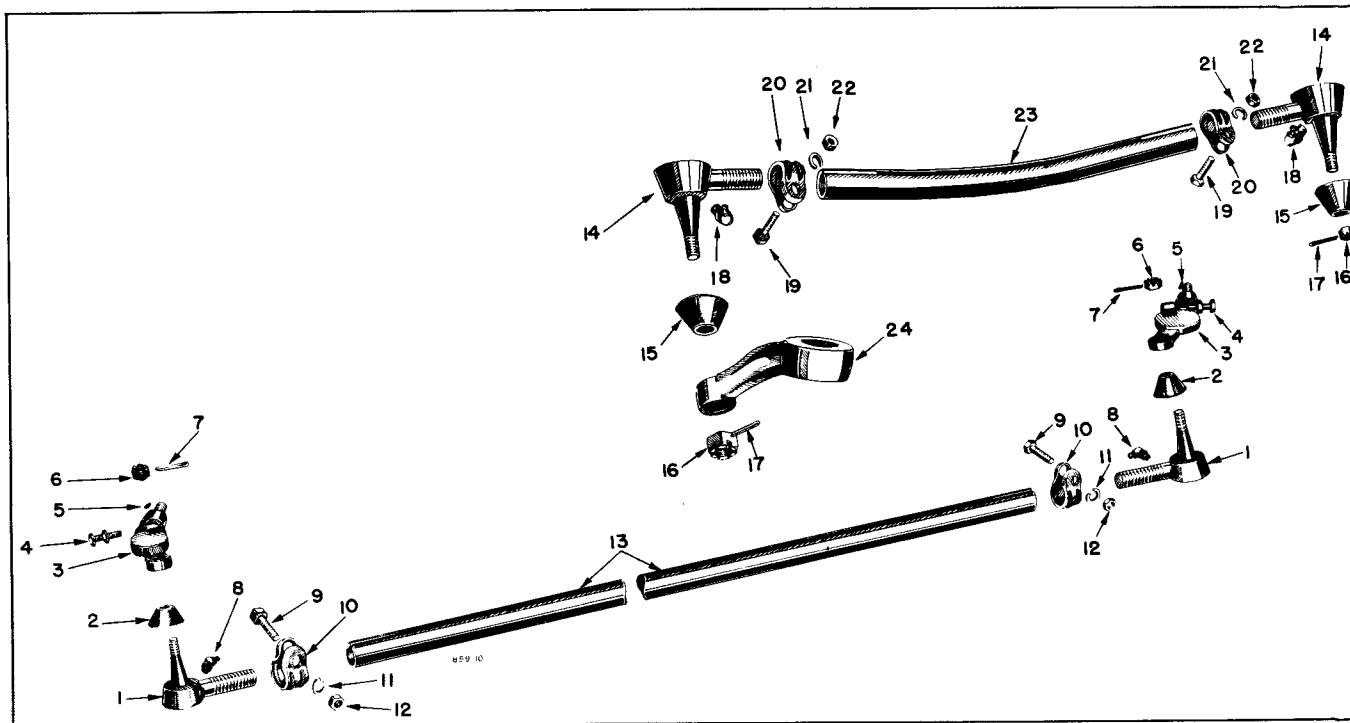


MODELS

TIE ROD AND DRAG LINK

Except 1/2 and 1 Ton

Plate 4



Ref. No.	Part Name	Group	Ref. No.	Part Name	Group
1	Tie rod end - service in package.....	2-E	13	Tie rod.....	2-E
2	Tie rod end dust cover.....	2-E	14	Drag link end - service in package.....	2-F
3	Steering knuckle arm.....	2-D	15	Drag link end dust cover.....	2-F
4	Steering knuckle arm stop screw.....	2-D	16	Drag link end nut.....	2-F
5	Steering knuckle arm key.....	2-D	17	Drag link end nut cotter.....	2-F
6	Steering knuckle arm nut.....	2-D	18	Drag link end grease nipple.....	2-F
7	Steering knuckle arm cotter.....	2-D	19	Drag link clamp bolt.....	2-F
8	Tie rod end grease nipple.....	2-E	20	Drag link clamp.....	2-F
9	Tie rod end clamp bolt.....	2-E	21	Drag link clamp bolt lockwasher.....	2-F
10	Tie rod end clamp.....	2-E	22	Drag link clamp bolt nut.....	2-F
11	Tie rod end clamp bolt nut lockwasher.....	2-E	23	Drag link tube.....	2-F
12	Tie rod end clamp bolt nut.....	2-E	24	Steering gear arm.....	19-D

NOTES:

---



---



---



---



---



---



---



---



---



---

**GROUP 2-FRONT AXLE**

PART NAME	PART NO.	MODEL CODES											
		DG AND FO					DH AND FP						
		1	2	3	4	5	6	1	2	4	5	6	7
<b>GROUP 2-A FRONT AXLE</b>													
<b>Front Axle</b>													
I - beam - - - - -	1271931	1	1	..	..	..	..	1	1	..	..	..	..
I - beam - standard - - - - -	1193886	..	..	1	1	..	..	..	..	1	..	..	..
I - beam - heavy - - - - -	1194813	..	..	..	1	..	..	..	..	1	..	..	..
I - beam - standard - - - - -	1194813	..	..	..	..	1	1	..	..	..	1	1	1
I - beam - heavy - - - - -	1195854	..	..	..	..	..	1	..	..	..	..	1	1
Bushing - upper - standard - - - - -	† 636230	..	..	2	2	..	..	..	..	2	..	..	..
Bushing - lower - standard - - - - -	† 594777	..	..	2	2	..	..	..	..	2	..	..	..
Bushing - upper - heavy - - - - -	† 595602	..	..	..	2	..	..	..	..	2	..	..	..
Bushing - lower - heavy - - - - -	† 595603	..	..	..	2	..	..	..	..	2	..	..	..
Bushing - upper - - - - -	† 595602	..	..	..	..	2	2	..	..	..	2	2	2
Bushing - lower - - - - -	† 595603	..	..	..	..	2	2	..	..	..	2	2	2
<b>GROUP 2-B KING PIN OR PIVOT</b>													
<b>King Pin or Pivot</b>													
Pin - - - - -	† 1271402	2	2	..	..	..	..	2	2	..	..	..	..
Pin - standard - - - - -	† 1194747	..	..	2	2	..	..	..	..	2	..	..	..
Pin - heavy - - - - -	† 918965	..	..	..	2	..	..	..	..	2	..	..	..
Pin - - - - -	† 918965	..	..	..	..	2	2	..	..	..	2	2	2
Set screw - - - - -	† 1271403	2	2	..	..	..	..	2	2	..	..	..	..
Springwasher - - - - -	† 609297	2	2	..	..	..	..	2	2	..	..	..	..
Lock - - - - -	† 609298	2	2	..	..	..	..	2	2	..	..	..	..
Oil seal plug - - - - -	† 117920	4	4	..	..	..	..	4	4	..	..	..	..
Oil seal plug - standard - - - - -	† 192627	..	..	4	4	..	..	..	..	4	..	..	..
Oil seal plug - heavy duty - - - - -	† 117923	..	..	..	4	..	..	..	..	4	..	..	..
Oil seal plug - - - - -	† 117923	..	..	..	4	4	4	..	..	4	4	4	4
Grease nipple - - - - -	† 145433	4	4	4	4	4	4	4	4	4	4	4	4
Lock pin - standard - - - - -	† 41558	..	..	2	2	..	..	..	..	2	..	..	..
Lock pin - heavy - - - - -	† 55590	..	..	..	4	..	..	..	..	4	..	..	..
Lock pin - - - - -	† 55590	..	..	..	..	4	4	..	..	..	4	4	4
Nut - heavy - - - - -	120369	..	..	..	4	..	..	..	..	4	..	..	..
Nut - - - - -	120369	..	..	..	4	4	4	..	..	..	4	4	4
Lockwasher - heavy - - - - -	120382	..	..	..	4	..	..	..	..	4	..	..	..
Lockwasher - - - - -	120382	..	..	..	..	4	4	..	..	..	4	4	4
<b>King Pin Service Package</b>													
Package - - - - -	1321261	1	1	..	..	..	..	1	1	..	..	..	..
Package - standard - - - - -	1241697	..	..	1	1	..	..	..	..	1	..	..	..
Package - heavy - - - - -	1243609	..	..	..	1	..	..	..	..	1	..	..	..
Package - - - - -	1243609	..	..	..	..	1	1	..	..	..	1	1	1
<b>GROUP 2-C STEERING KNUCKLES</b>													
<b>Steering Knuckle - Right</b>													
Assembly - - - - -	1271388	1	..	..	..	..	..	1	..	..	..	..	..
Assembly - - - - -	1271392	..	1	..	..	..	..	..	1	..	..	..	..
Knuckle - standard - - - - -	1265368	..	..	1	1	..	..	..	..	1	..	..	..
Knuckle - heavy - - - - -	1265382	..	..	..	1	..	..	..	..	1	..	..	..
Knuckle - - - - -	1265382	..	..	..	..	1	1	..	..	..	1	1	1
<b>Steering Knuckle - Left</b>													
Assembly - - - - -	1271387	1	..	..	..	..	..	1	..	..	..	..	..
Assembly - - - - -	1271391	..	1	..	..	..	..	..	1	..	..	..	..
Knuckle - standard - - - - -	1265369	..	..	1	1	..	..	..	..	1	..	..	..
Knuckle - heavy - - - - -	1265383	..	..	..	1	..	..	..	..	1	..	..	..
Knuckle - - - - -	1265383	..	..	..	..	1	1	..	..	..	1	1	1

† Indicates amount used as required.

‡ Indicates parts included in packages.

**GROUP 2-FRONT AXLE**

PART NAME	PART NO.	MODEL CODES											
		DG AND FO					DH AND FP						
		1	2	3	4	5	6	1	2	4	5	6	7
<b>GROUP 2-C STEERING KNUCKLES (CONT'D)</b>													
<b>Steering Knuckle Bearing and Bushing</b>													
Bearing - - - - -	† 618891	2	2	..	..	..	..	2	2	..	..	..	..
Shim - thin - - - - -	† 1271401	*	*	..	..	..	..	*	*	..	..	..	..
Bearing - standard - - - - -	† 594785	..	2	2	..	..	..	..	..	2	..	..	..
Shim - thin - - - - -	† 594804	..	..	*	*	..	..	..	..	*	..	..	..
Shim - thick - - - - -	594805	..	..	*	*	..	..	..	..	*	..	..	..
Bearing - heavy - - - - -	† 595615	..	..	..	2	2	..	..	..	2	..	..	..
Shim - thin - - - - -	† 595616	..	..	..	*	*	..	..	..	*	..	..	..
Shim - thick - - - - -	† 595617	..	..	..	*	*	..	..	..	*	..	..	..
Bearing - - - - -	† 595615	..	..	..	2	2	..	..	..	2	2	2	2
Shim - thin - - - - -	† 595616	..	..	..	*	*	..	..	..	*	*	*	*
Shim - thick - - - - -	† 595617	..	..	..	*	*	..	..	..	*	*	*	*
Bushing - - - - -	† 1271399	4	4	..	..	..	..	4	4	..	..	..	..
Stop screw - - - - -	644158	2	2	..	..	..	..	2	2	..	..	..	..
Nut - - - - -	120371	2	2	..	..	..	..	2	2	..	..	..	..
<b>GROUP 2-D STEERING KNUCKLE ARM</b>													
<b>Steering Knuckle Arm</b>													
Arm - right - L.H.D. - - - - -	1194046	1	..	..	..	..	..	1	..	..	..	..	..
Arm - left - L.H.D. - - - - -	1194047	1	..	..	..	..	..	1	..	..	..	..	..
Arm - right - R.H.D. - - - - -	1194044	1	..	..	..	..	..	1	..	..	..	..	..
Arm - left - R.H.D. - - - - -	1194045	1	..	..	..	..	..	1	..	..	..	..	..
Arm - right - L.H.D. - - - - -	1194048	..	1	..	..	..	..	..	1	..	..	..	..
Arm - left - L.H.D. - - - - -	1194049	..	1	..	..	..	..	..	1	..	..	..	..
Arm - right - R.H.D. - - - - -	1194050	..	1	..	..	..	..	..	1	..	..	..	..
Arm - left - R.H.D. - - - - -	1194051	..	1	..	..	..	..	..	1	..	..	..	..
Arm - right - standard - - - - -	1265370	..	..	1	1	..	..	..	..	1	..	..	..
Arm - left - L.H.D. - standard - - - - -	1265371	..	..	1	1	..	..	..	..	1	..	..	..
Arm - left - R.H.D. - standard - - - - -	1265377	..	..	1	1	..	..	..	..	1	..	..	..
Arm - right - L.H.D. - heavy - - - - -	1265384	..	..	..	1	..	..	..	..	1	..	..	..
Arm - left - L.H.D. - heavy - - - - -	1265385	..	..	..	1	..	..	..	..	1	..	..	..
Arm - right - R.H.D. - heavy - - - - -	1265390	..	..	..	1	..	..	..	..	1	..	..	..
Arm - left - R.H.D. - heavy - - - - -	1265391	..	..	..	1	..	..	..	..	1	..	..	..
Arm - right - L.H.D. - - - - -	1265384	..	..	..	1	1	..	..	..	1	1	1	1
Arm - left - L.H.D. - - - - -	1265385	..	..	..	1	1	..	..	..	1	1	1	1
Arm - right - R.H.D. - - - - -	1265390	..	..	..	1	1	..	..	..	1	1	1	1
Arm - left - R.H.D. - - - - -	1265391	..	..	..	1	1	..	..	..	1	1	1	1
Key - standard - - - - -	120051	..	..	2	2	..	..	..	..	2	..	..	..
Key - heavy - - - - -	178879	..	..	..	2	..	..	..	..	2	..	..	..
Key - - - - -	178879	..	..	..	2	2	..	..	..	2	2	2	2
Nut - - - - -	125298	..	..	2	2	2	2	..	..	2	2	2	2
Cotter - - - - -	137298	..	..	2	2	2	2	..	..	2	2	2	2
Stop screw - - - - -	1091520	..	..	2	2	2	2	..	..	2	2	2	2
Nut - - - - -	124834	..	..	2	2	2	2	..	..	2	2	2	2
<b>GROUP 2-E STEERING TIE ROD</b>													
<b>Tie Rod</b>													
Rod - - - - -	1194224	1	..	..	..	..	..	1	..	..	..	..	..
Rod - - - - -	1271637	..	1	..	..	..	..	..	1	..	..	..	..
Rod - standard - - - - -	1274428	..	..	1	1	..	..	..	..	1	..	..	..
Rod - heavy - - - - -	1194862	..	..	..	1	..	..	..	..	1	..	..	..
Rod - - - - -	1194862	..	..	..	1	1	..	..	..	1	1	2	2
<b>Tie Rod End</b>													
End package - R.H. thread - - - - -	1311176	1	1	..	..	..	..	1	1	..	..	..	..
End package - L.H. thread - - - - -	1311175	1	1	..	..	..	..	1	1	..	..	..	..
End package - R.H. thread - standard - - - - -	1238405	..	..	1	1	..	..	..	..	1	..	..	..
End package - L.H. thread - standard - - - - -	1238404	..	..	1	1	..	..	..	..	1	..	..	..
End package - R.H. thread - heavy - - - - -	1238395	..	..	..	1	..	..	..	..	1	..	..	..
End package - L.H. thread - heavy - - - - -	1238394	..	..	..	1	..	..	..	..	1	..	..	..
End package - R.H. thread - - - - -	1238395	..	..	..	1	1	..	..	..	1	1	1	1
End package - L.H. thread - - - - -	1238394	..	..	..	1	1	..	..	..	1	1	1	1
Clamp - standard - - - - -	† 1272954	2	2	2	2	..	..	2	2	2	..	..	..

Indicates amount used as required.

† Indicates parts included in packages.

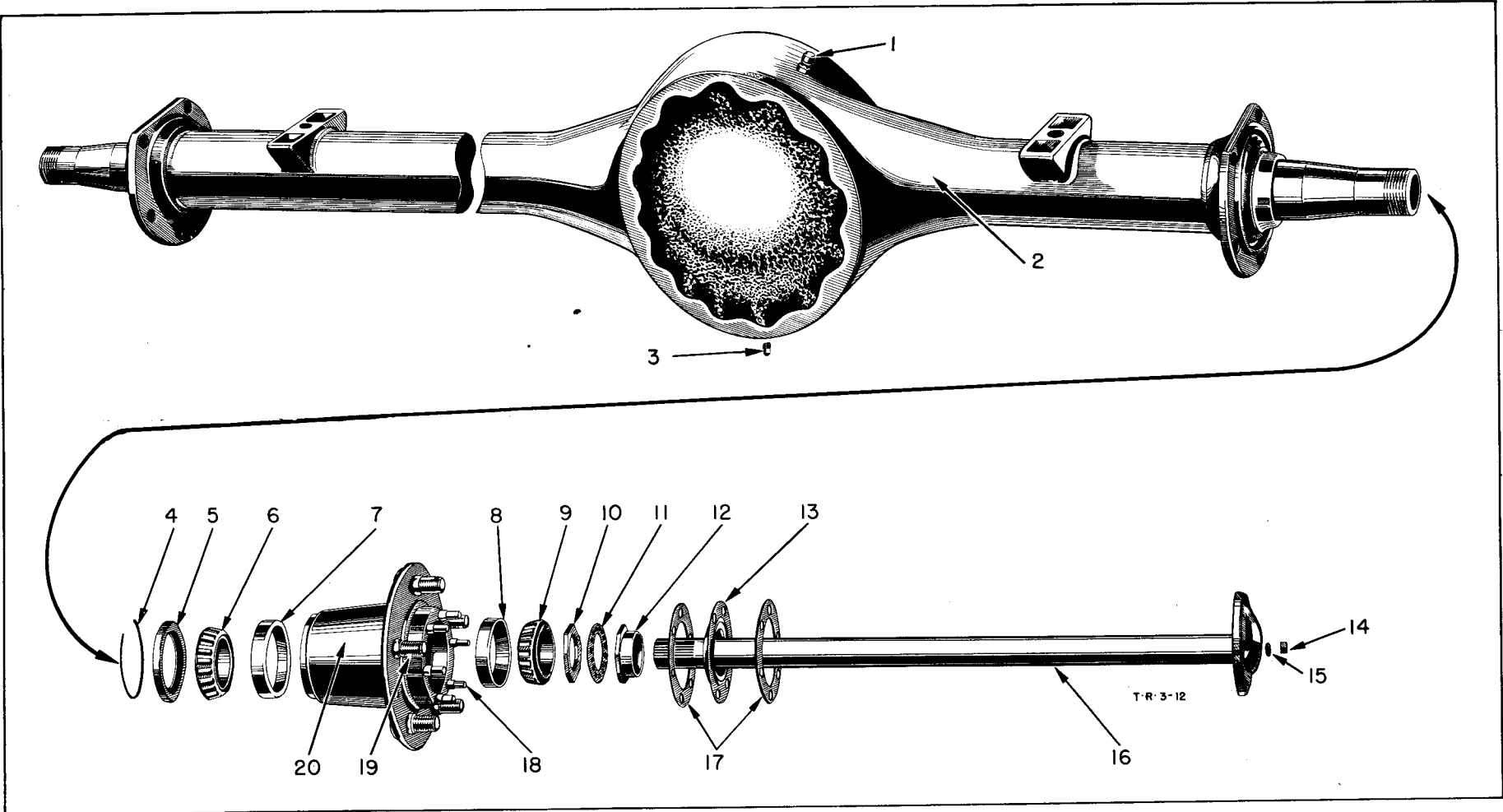
GROUP 2-FRONT AXLE

PART NAME	PART NO.	MODEL CODES											
		DG AND FO					DH AND FP						
		1	2	3	4	5	6	1	2	4	5	6	7
<b>GROUP 2-E STEERING TIE ROD (CONT'D)</b>													
<b>Tie Rod End (cont'd)</b>													
Clamp - heavy	†1194863	..	..	..	2	..	..	..	..	2	..	..	..
Clamp	†1194863	..	..	..	..	2	2	..	..	..	2	2	2
Bolt - standard	† 120677	2	2	2	2	..	..	2	2	2	..	..	..
Bolt - heavy	† 571018	..	..	..	2	..	..	..	..	2	..	..	..
Bolt	† 571018	..	..	..	..	2	2	..	..	..	2	2	2
Nut - standard	† 120369	2	2	2	2	..	..	2	2	2	..	..	..
Nut - heavy	† 120370	..	..	..	2	..	..	..	..	2	..	..	..
Nut	† 120370	..	..	..	..	2	2	..	..	..	2	2	2
Lockwasher - standard	† 120382	2	2	2	2	..	..	2	2	2	..	..	..
Lockwasher - heavy	† 120383	..	..	..	2	..	..	..	..	2	..	..	..
Lockwasher	† 120383	..	..	..	..	2	2	..	..	..	2	2	2
Ball dust seal - standard	†1261187	2	2	2	2	..	..	2	2	2	..	..	..
Ball dust seal - heavy	1194871	..	..	..	2	..	..	..	..	2	..	..	..
Ball dust seal	1194871	..	..	..	..	2	2	..	..	..	2	2	2
Grease nipple	† 145433	2	2	2	2	2	2	2	2	2	2	2	2
Nut - standard	† 128178	2	2	2	2	..	..	2	2	2	..	..	..
Nut - heavy	† 1263946	..	..	..	2	..	..	..	..	2	..	..	..
Nut	† 1263946	..	..	..	..	2	2	..	..	..	2	2	2
Cotter - standard	† 108636	2	2	2	2	..	..	2	2	2	..	..	..
Cotter - heavy	† 119209	..	..	..	2	..	..	..	..	2	..	..	..
Cotter	† 119209	..	..	..	..	2	2	..	..	..	2	2	2
<b>GROUP 2-F STEERING DRAG LINK</b>													
<b>Drag Link</b>													
Assembly - L.H.D.	1195802	1	1	..	..	..	..	1	1	..	..	..	..
Assembly - R.H.D.	1195804	1	1	..	..	..	..	1	1	..	..	..	..
Assembly - L.H.D. - standard	1271376	..	..	1	1	..	..	..	..	1	..	..	..
Assembly - R.H.D. - standard	1271378	..	..	1	1	..	..	..	..	1	..	..	..
Assembly - L.H.D. - heavy	1271364	..	..	..	1	..	..	..	..	1	..	..	..
Assembly - R.H.D. - heavy	1271369	..	..	..	1	..	..	..	..	..	..	..	..
Tube - R.H.D. - heavy	1195890	..	..	..	..	..	..	..	..	1	..	..	..
Assembly - L.H.D.	1271364	..	..	..	1	1	..	..	..	..	1	1	1
Assembly - R.H.D.	1271369	..	..	..	1	1	..	..	..	..	..	..	..
Tube - R.H.D.	1195890	..	..	..	..	..	..	..	..	..	1	1	..
End package - heavy	1238406	..	..	..	2	..	..	..	..	2	..	..	..
End package	1238406	..	..	..	..	2	2	..	..	..	2	2	2
Nut - standard	102648	2	2	2	2	..	..	2	2	2	..	..	..
Nut - heavy	1263946	..	..	..	2	..	..	..	..	2	..	..	..
Nut	125267	..	..	..	..	2	..	..	..	..	2	..	..
Nut	1263946	..	..	..	..	2	..	..	..	..	..	2	2
Cotter - standard	108636	2	2	2	2	..	..	2	2	2	..	..	..
Cotter - heavy	† 119209	..	..	..	2	..	..	..	..	2	..	..	..
Cotter	† 119209	..	..	..	..	2	2	..	..	..	2	2	2
Grease nipple - standard - on DH4/FP4	145436	2	2	2	2	..	..	2	2	2	..	..	..
Grease nipple - heavy - on DH4/FP4	† 145433	..	..	..	2	2	2	..	..	2	2	2	2
Clamp	†1195896	..	..	..	2	2	2	..	..	2	2	2	2
Bolt	†1195897	..	..	..	2	2	2	..	..	2	2	2	2
Nut	† 120371	..	..	..	2	2	2	..	..	2	2	2	2
Lockwasher	† 120384	..	..	..	2	2	2	..	..	2	2	2	2
<b>Drag Link Dust Cover</b>													
Dust cover - standard	1261187	2	2	2	2	..	..	2	2	2	..	..	..
Dust seal - heavy	1194860	..	..	..	2	..	..	..	..	2	..	..	..
Dust seal	1194860	..	..	..	..	2	2	..	..	..	2	2	2

Indicates amount used as required.

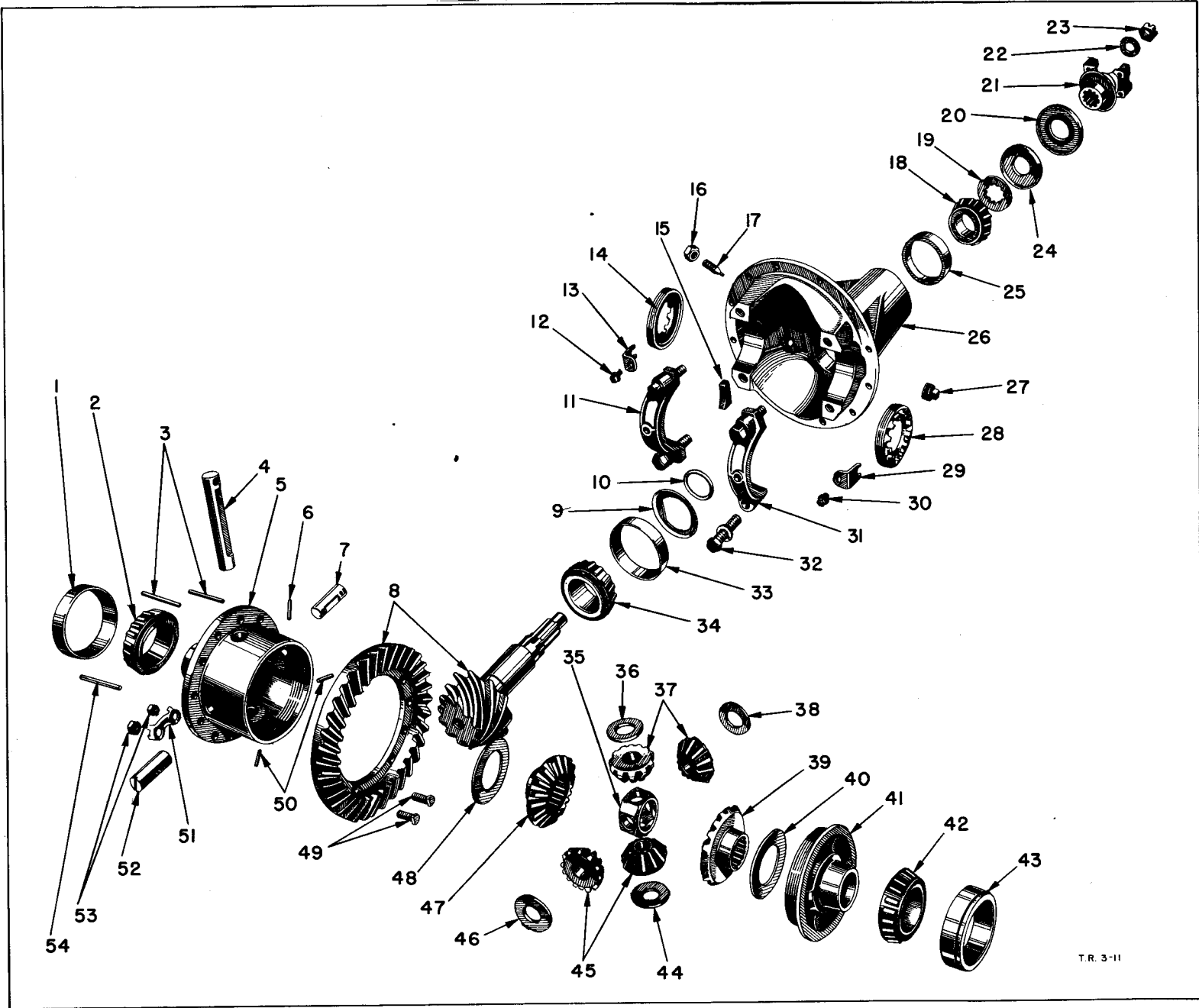
† Indicates parts included in packages.





Ref. No.	Part Name	Group
1	Housing vent screw.....	3-A
2	Axle housing.....	3-A
3	Drain plug.....	3-A
4	Oil seal snap ring.....	22-E
5	Oil seal assy. - inner.....	22-E
6	Wheel bearing cone - inner.....	22-E
7	Wheel bearing cup - inner.....	22-E
8	Wheel bearing cup - outer.....	22-E
9	Wheel bearing cone - outer.....	22-E
10	Adjusting nut - inner.....	22-E

Ref. No.	Part Name	Group
11	Adjusting nut lock.....	22-E
12	Adjusting nut - outer.....	22-E
13	Oil seal assy. - outer.....	22-E
14	Axle shaft stud nut.....	3-F
15	Axle shaft stud nut washer.....	3-F
16	Axle shaft.....	3-F
17	Oil seal gasket.....	22-E
18	Axle shaft stud.....	3-F
19	Hub stud.....	22-C
20	Rear hub assy.....	22-C



GROUP 3 - REAR AXLE

T.R. 3-11

53  
54



TR 3-11

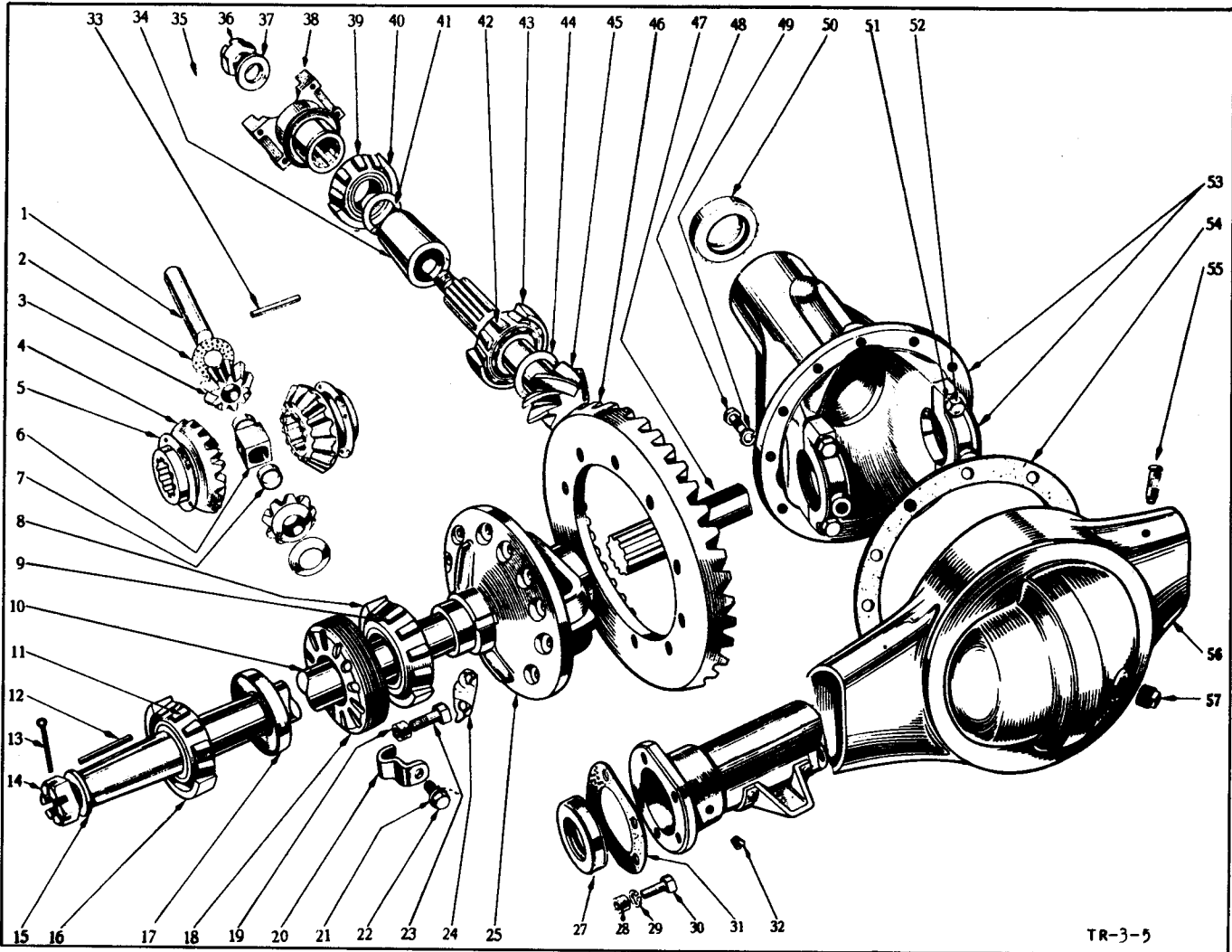
REAR AXLE - HYPOID (Cont'd)

Plate 6 (Cont'd)

Ref. No.	Part Name	Group	Ref. No.	Part Name	Group
1	Diff. bearing cup.....	3-B	28	Diff. bearing adjuster.....	3-B
2	Diff. side bearing.....	3-B	29	Diff. bearing adjuster lock.....	3-B
3	Pinion shaft lock pin.....	3-B	30	Diff. bearing adjuster lock screw.....	3-B
4	Pinion shaft - long.....	3-B	31	Carrier bearing cap (Serv. carrier Assy.).....	3-B
5	Diff. case - serviced in assy.....	3-B	32	Diff. carrier cap screw.....	3-B
6	Diff. case pin.....	3-B	33	Pinion bearing cup - rear.....	3-E
7	Pinion shaft - short.....	3-B	34	Pinion bearing - rear.....	3-E
8	Drive gear - serviced in gear set.....	3-C	35	Pinion shaft thrust block.....	3-B
9	Rear bearing oil baffle.....	3-E	36	Pinion thrust washer.....	3-B
10	Pinion bearing spacer.....	3-E	37	Diff. pinion.....	3-B
11	Carrier bearing cap (Serv. Carrier Assembly).....	3-B	38	Pinion thrust washer.....	3-B
12	Diff. bearing adjuster lock screw.....	3-B	39	Diff. side gear.....	3-B
13	Diff. bearing adjuster lock.....	3-B	40	Side gear thrust washer.....	3-B
14	Diff. bearing adjuster.....	3-B	41	Diff. case cap - Serviced In Assy.....	3-B
15	Thrust screw pad.....	3-D	42	Diff. side bearing.....	3-B
16	Thrust pad screw nut.....	3-D	43	Diff. bearing cup.....	3-B
17	Thrust pad screw.....	3-D	44	Pinion thrust washer.....	3-B
18	Drive pinion bearing - front.....	3-E	45	Diff. pinion.....	3-B
19	Pinion bearing washer.....	3-E	46	Pinion thrust washer.....	3-B
20	Pinion bearing oil seal.....	3-E	47	Diff. side gear.....	3-B
21	Pinion flange.....	16-E	48	Side gear thrust washer.....	3-D
22	Pinion washer.....	16-E	49	Drive gear bolt.....	3-B
23	Pinion nut.....	16-E	50	Diff. case pin.....	3-D
24	Drive pinion bearing oil slinger.....	3-E	51	Drive gear bolt nut lock.....	3-B
25	Pinion front bearing cup.....	3-E	52	Diff. pinion shaft - short.....	3-D
26	Diff. carrier.....	3-B	53	Drive gear bolt nut.....	3-B
27	Drain plug.....	3-B	54	Pinion shaft lock pin.....	3-B

GROUP 3 - REAR AXLE

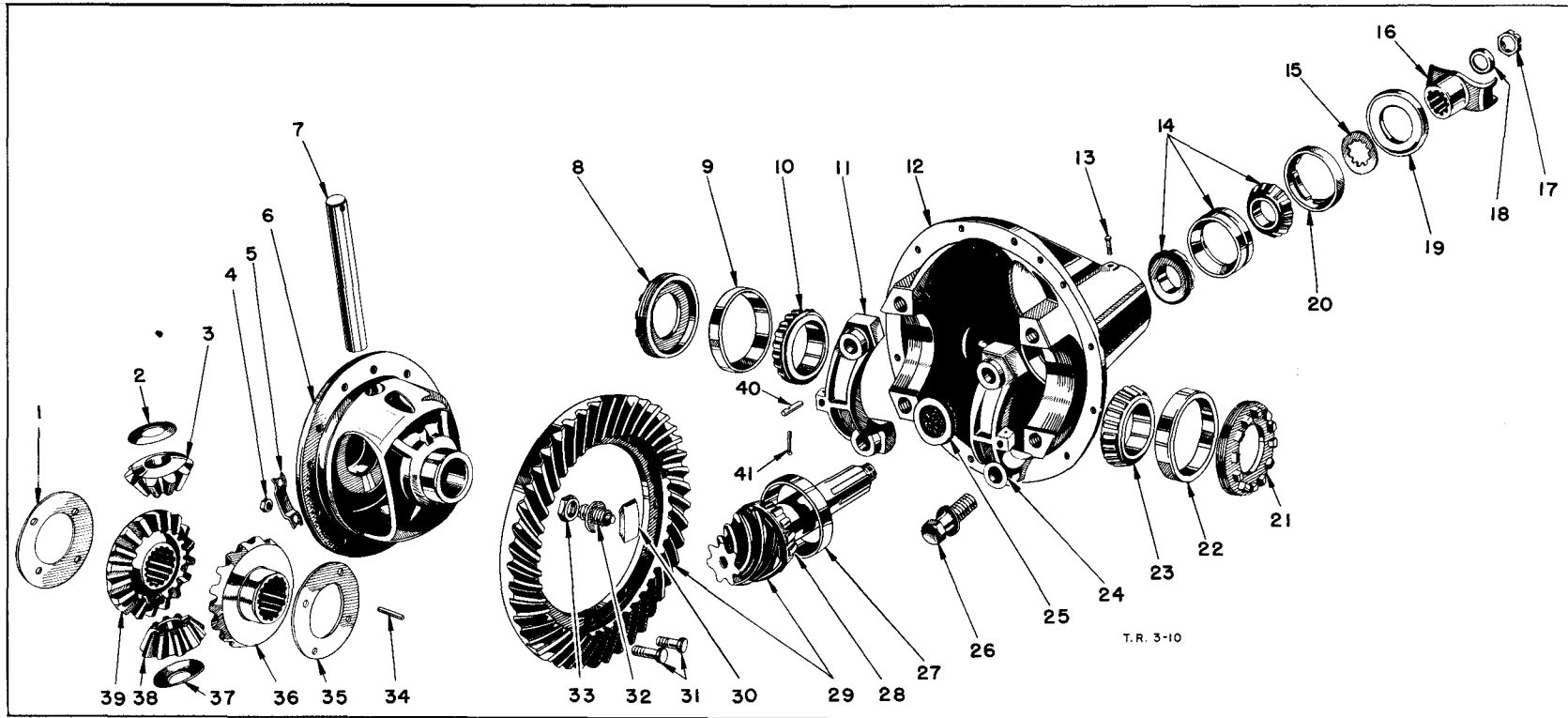




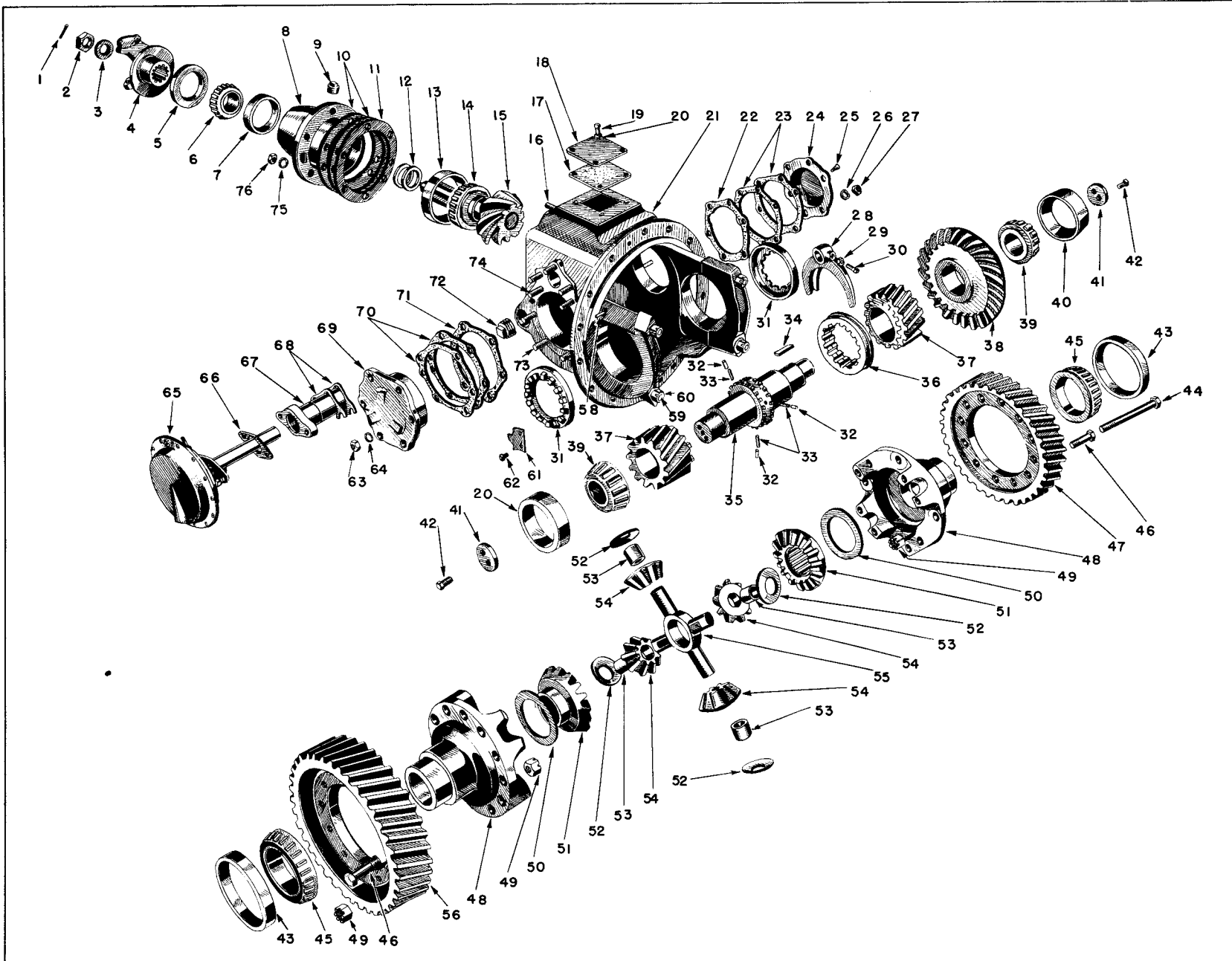
TR-3-5

Ref. No.	Part Name	Group
1	Differential pinion shaft.....	3-B
2	Differential pinion thrust washer.....	3-B
3	Differential pinion.....	3-B
4	Differential side gear.....	3-B
5	Differential side gear thrust washer.....	3-B
6	Drive shaft thrust block.....	3-F
7	Drive shaft thrust block spacer.....	3-F
8	Differential bearing cup.....	3-B
9	Differential bearing cone and rollers.....	3-B
10	Drive shaft.....	3-F
11	Drive shaft bearing cone and rollers.....	3-F
12	Drive shaft key.....	3-F
13	Drive shaft nut cotter pin.....	3-F
14	Drive shaft nut.....	3-F
15	Drive shaft nut washer.....	3-F
16	Drive shaft bearing cup.....	3-F
17	Drive shaft oil seal assembly - inside.....	3-F
18	Differential bearing adjuster.....	3-B
19	Drive gear bolt nut.....	3-D
20	Differential bearing adjuster lock.....	3-B
21	Differential bearing adjuster lock screw washer (serviced in screw and washer assembly).....	3-B
22	Differential bearing adjuster lock screw (serviced in screw and washer assembly)..	3-B
23	Drive gear bolt.....	3-D
24	Drive gear bolt nut lock.....	3-D
25	Differential case.....	3-B
27	Drive shaft bearing oil seal (outside).....	3-F
28	Brake support to axle housing bolt nut.....	5-C

Ref. No.	Part Name	Group
29	Brake support to axle housing bolt nut lockwasher.....	5-C
30	Brake support to axle housing bolt.....	5-C
31	Drive shaft bearing shim.....	3-F
32	Drive bearing oil hole plug.....	3-B
33	Differential pinion shaft lock pin or screw	3-B
34	Drive pinion bearing spacer.....	3-E
35	Drive pinion flange nut cotter pin.....	16-E
36	Drive pinion flange nut .....	16-E
37	Drive pinion flange nut washer.....	16-E
38	Drive pinion flange.....	16-E
39	Drive pinion front bearing cone and rollers	3-E
40	Drive pinion front bearing cup.....	3-E
41	Drive pinion front bearing adjusting shims.	3-E
42	Drive pinion rear bearing cone and rollers.	3-E
43	Drive pinion rear bearing cup.....	3-E
44	Drive pinion rear bearing washer or shims..	3-E
45	Drive pinion.....	3-C
46	Drive gear.....	3-C
47	Drive shaft.....	3-F
48	Drive pinion carrier screw.....	3-B
49	Drive pinion carrier screw lockwasher.....	3-B
50	Drive pinion bearing oil seal.....	3-E
51	Differential bearing cap screw lockwasher...	3-B
52	Differential bearing cap screw.....	3-B
53	Drive pinion carrier and cap assembly.....	3-B
54	Drive pinion carrier gasket.....	3-B
55	Housing vent nipple or screw assembly.....	3-A
56	Housing.....	3-A
57	Housing cover plug.....	3-A



Ref. No.	Part Name	Group	Ref. No.	Part Name	Group
1	Side gear thrust washer.....	3-B	22	Differential bearing cup .....	3-B
2	Pinion gear thrust washer .....	3-B	23	Differential bearing .....	3-B
3	Pinion gear .....	3-B	24	Carrier bearing cap (service carrier assy.) .....	3-B
4	Drive gear bolt nut .....	3-D	25	Pinion bearing spacer .....	3-E
5	Drive gear bolt nut lock .....	3-D	26	Carrier bearing cap screw .....	3-B
6	Differential case .....	3-B	27	Pinion rear bearing cup .....	3-E
7	Pinion gear shaft .....	3-B	28	Pinion rear bearing .....	3-E
8	Bearing adjuster .....	3-B	29	Drive gear and pinion set .....	3-C
9	Differential bearing cup .....	3-B	30	Drive gear thrust pad .....	3-D
10	Differential bearing .....	3-B	31	Drive gear bolt .....	3-D
11	Carrier bearing cap (service carrier assembly) .....	3-B	32	Drive gear thrust pad screw .....	3-D
12	Carrier assembly .....	3-B	33	Drive gear thrust pad screw lock nut .....	3-D
13	Pinion front bearing retainer nut lock screw .....	3-E	34	Pinion gear shaft lock pin .....	3-B
14	Pinion front bearing assembly .....	3-E	35	Side gear thrust washer .....	3-B
15	Pinion front bearing washer .....	3-E	36	Differential side gear .....	3-B
16	Pinion flange .....	16-E	37	Pinion gear thrust washer .....	3-B
17	Pinion flange nut .....	16-E	38	Differential pinion gear .....	3-B
18	Pinion flange washer .....	16-E	39	Differential side gear .....	3-B
19	Pinion oil seal assembly .....	3-E	40	Bearing adjuster lock pin .....	3-B
20	Pinion front bearing retainer nut .....	3-E	41	Bearing adjuster lock pin cotter .....	3-B
21	Differential bearing adjuster .....	3-B			

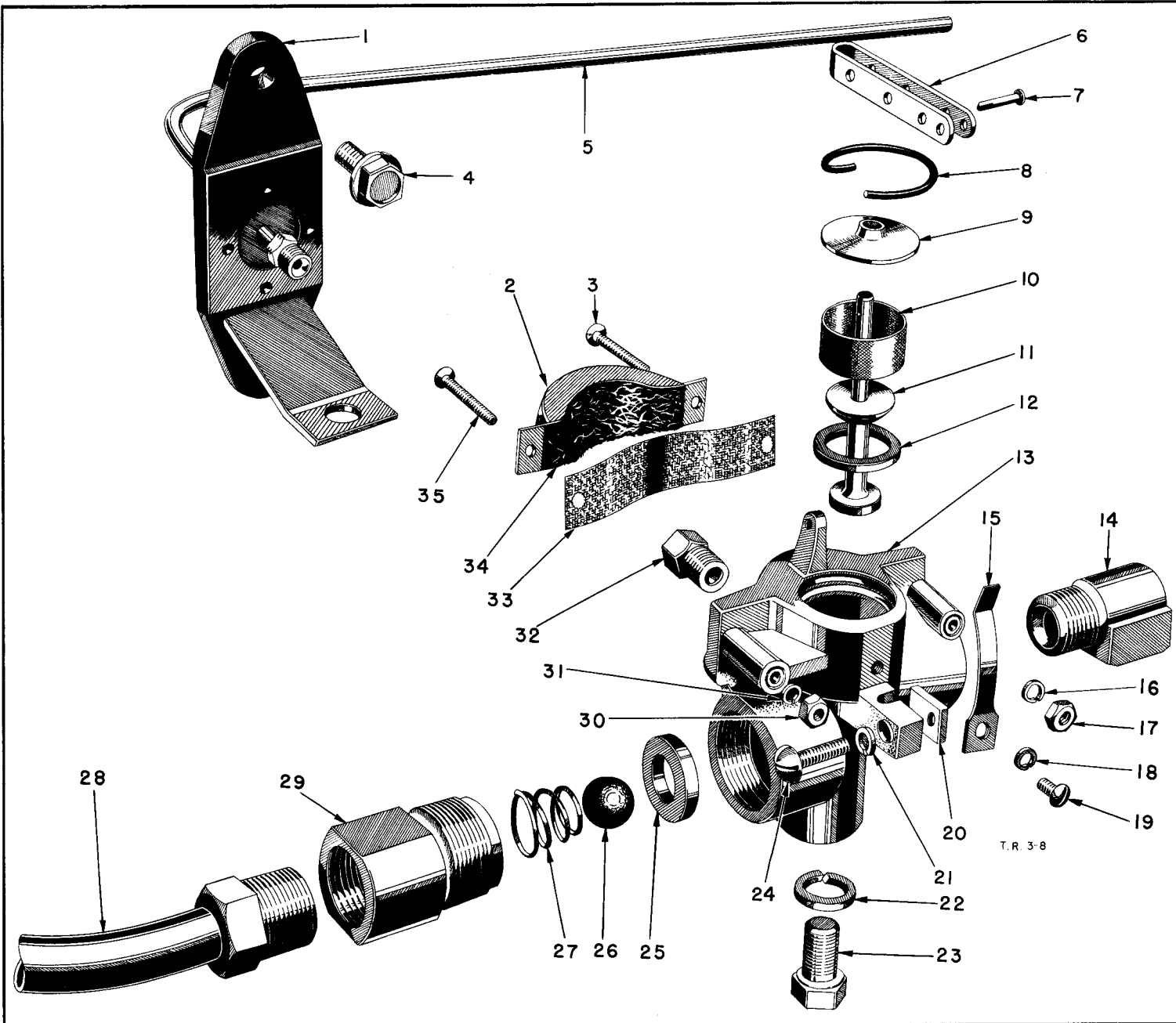


TIMKEN 2 SPEED AXLE (Cont'd)

Plate 9 (Cont'd)

Ref. No.	Part Name	Group	Ref. No.	Part Name	Group
1	Yoke nut pin.....	16-E	39	Spiral pinion bearing cone.....	3-G
2	Drive pinion yoke nut.....	16-E	40	Spiral pinion bearing cup.....	3-G
3	Drive pinion yoke nut washer.....	16-E	41	Spiral pinion bearing cone washer.....	3-G
4	Drive pinion yoke assembly.....	16-E	42	Spiral pinion bearing cone washer screw....	3-G
5	Drive pinion front bearing oil seal assembly.....	3-G	43	Differential bearing cup.....	3-G
6	Drive pinion bearing cone - front.....	3-G	44	High and low speed gear bolt - long.....	3-G
7	Drive pinion bearing cup - front.....	3-G	45	Differential bearing cone.....	3-G
8	Drive pinion carrier assembly.....	3-G	46	High and low speed gear bolt - short.....	3-G
9	Drive pinion carrier plug.....	3-G	47	Drive gear - high speed.....	3-G
10	Drive pinion carrier shims.....	3-G	48	Differential case.....	3-G
11	Drive pinion carrier gasket.....	3-G	49	Drive gear bolt nut.....	3-G
12	Drive pinion front bearing cone spacer.....	3-G	50	Differential side gear thrust washers.....	3-G
13	Drive pinion bearing cup - rear.....	3-G	51	Differential side gear.....	3-G
14	Drive pinion bearing cone - rear.....	3-G	52	Differential pinion thrust washer.....	3-G
15	Pinion - service in set.....	3-G	53	Differential pinion bushing.....	3-G
16	Drive pinion carrier stud.....	3-G	54	Differential pinion.....	3-G
17	Omit		55	Differential spider.....	3-G
18	Omit		56	Drive gear - low speed.....	3-G
19	Omit		57	Differential spiral pinion - low speed.....	3-G
20	Omit		58	Differential carrier cap stud pin.....	3-G
21	Differential carrier assembly.....	3-G	59	Differential carrier cap stud.....	3-G
22	Spiral pinion bearing retainer gasket.....	3-G	60	Differential carrier cap stud nut.....	3-G
23	Spiral pinion bearing retainer shim.....	3-G	61	Differential bearing adjusting nut lock....	3-G
24	Spiral pinion shaft bearing retainer.....	3-G	62	Differential bearing adjusting nut lock screw.....	3-G
25	Differential carrier breather assy.....	3-G	63	Pinion bearing cage stud nut.....	3-G
26	Spiral pinion bearing retainer stud lockwasher.....	3-G	64	Pinion bearing cage stud nut lockwasher.....	3-G
27	Spiral pinion bearing retainer stud nut....	3-G	65	Shift diaphragm assembly.....	3-G
28	Shift fork.....	3-G	66	Shift diaphragm gasket.....	3-G
29	Shift fork nut.....	3-G	67	Shift diaphragm sleeve.....	3-G
30	Shift fork screw.....	3-G	68	Shift diaphragm shim.....	3-G
31	Differential bearing adjusting nut.....	3-G	69	Pinion bearing cage assembly.....	3-G
32	Pinion shift collar lock plunger spring....	3-G	70	Pinion bearing cage shim.....	3-G
33	Pinion shift collar lock plunger spring....	3-G	71	Pinion bearing cage gasket.....	3-G
34	Pinion drive gear key.....	3-G	72	Differential carrier plug.....	3-G
35	Differential pinion shaft.....	3-G	73	Pinion bearing cage stud.....	3-G
36	Pinion shift collar.....	3-G	74	Shift diaphragm sleeve stud.....	3-G
37	Differential spiral pinion - high speed....	3-G	75	Drive pinion carrier stud lockwasher.....	3-G
38	Gear - service in set.....	3-G	76	Drive pinion carrier stud nut.....	3-G

GROUP 3 - REAR AXLE



VACUUM SHIFT CONTROL VALVE (Cont'd)

Plate 10 (Cont'd)

Ref. No.	Part Name	Group	Ref. No.	Part Name	Group
1	Axle control valve bracket.....	3-H	19	Operating lever spring screw.....	3-H
2	Valve air filter cover.....	3-H	20	Cable clamp screw nut.....	3-H
3	Air filter cover screw.....	3-H	21	Cable clamp screw 1/washer.....	3-H
4	Valve bracket screw.....	3-H	22	Valve to bracket screw 1/washer.....	3-H
5	Speedometer adapter to valve tube.....	3-H	23	Valve to bracket screw.....	3-H
6	Valve operating lever.....	3-H	24	Cable clamp screw.....	3-H
7	Operating lever pin.....	3-H	25	Shift valve body ball seat.....	3-H
8	Valve plunger lockwire.....	3-H	26	Shift valve body ball.....	3-H
9	Valve plunger guide.....	3-H	27	Shift valve ball spring.....	3-H
10	Valve plunger screen.....	3-H	28	Manifold to valve tube.....	3-H
11	Shift valve plunger.....	3-H	29	Shift valve bail body.....	3-H
12	Plunger valve seat.....	3-H	30	Filter cover screw nut.....	3-H
13	Valve body (serv. in assy.).....	3-H	31	Filter cover screw 1/washer.....	3-H
14	Manifold to valve tube elbow.....	3-H	32	Adapter tube connection.....	3-H
15	Operating lever spring.....	3-H	33	Valve air filter screen.....	3-H
16	Filter cover screw 1/washer.....	3-H	34	Valve air filter.....	3-H
17	Filter cover screw nut.....	3-H	35	Air filter cover screw.....	3-H
18	Operating spring screw 1/washer.....	3-H			

GROUP 3 - REAR AXLE

**GROUP 3 - REAR AXLE**

PART NAME	PART NO.	MODEL CODES									
		DG AND FO					DH AND FP				
		1	2	3	4	5	6	1	2	4	5

**NOTE:** Parts referred to "Note 1" were used on the following Serial Nos.:  
 Parts referred to "Note 2" were used on all other Serial Nos.:

DG4 - 93003617 to 93003646 incl.      F04 - 93503321 to 93503367 incl.  
 DG5 - 93251630 to 93251670 incl.      F05 - 93751308 to 93751354 incl.  
 DG 6- 94002812 to 94002871 incl.      F06 - 94502019 to 94502055 incl.

**NOTE:** Parts referred to "Note 3" were used up to and including:  
 Parts referred to "Note 4" were used after the following Serial Nos.:

With 4-speed transmission                      With 5-speed transmission  
 DG-93252045                                      DG5-93252020  
 F05-93751716                                      F05-93751697

**NOTE A:** Two types of 4.89 Axle Ratios were used in production on Models DG2/F02 which were 8 3/4" and 9 5/8" Hypoid, with the ring Gear Diameter being indicated accordingly. Always be sure to check Ring Gear Diameter before ordering component parts.

**GROUP 3-A REAR AXLE HOUSING**

**Rear Axle Housing**

Assembly - - - - -	1264765	1	..	..	..	..	..	1	..	..	..	..	..	..	..
Assembly - - - - -	1194063	..	1	..	..	..	..	..	1	..	..	..	..	..	..
Assembly - - - - -	1194470	..	..	1	1	..	..	..	..	1	..	..	..	..	..
Assembly - - - - -	1194485	..	..	..	..	1	1	..	..	..	1	1	..	..	..
Assembly - - - - -	1269415	..	..	..	..	..	..	..	..	..	..	..	..	1	..
Vent screw - - - - -	925525	1	1	..	..	..	..	1	1	..	..	..	..	..	..
Vent nipple - - - - -	557049	..	..	1	1	1	1	..	..	1	1	1	..	..	..
Breather assembly - - - - -	1267562	..	..	..	..	..	..	..	..	..	..	..	..	1	..
Cap - - - - -	557056	..	..	1	1	1	1	..	..	1	1	1	..	..	..
Cotter - - - - -	103373	..	..	1	1	1	1	..	..	1	1	1	..	..	..
Drain plug - 3/8" - - - - -	103867	1	..	..	..	..	..	1	..	..	..	..	..	..	..
Drain plug - - - - -	122104	..	1	..	..	..	..	..	1	..	..	..	..	..	..
Drain plug - - - - -	1191694	..	..	..	..	..	..	..	..	..	..	..	..	1	..
Gasket - - - - -	574780	..	1	..	..	..	..	..	1	..	..	..	..	..	..
Gasket - - - - -	56155	..	..	..	..	..	..	..	..	..	..	..	..	1	..
Dowel - spring seat - - - - -	1191693	..	..	..	..	..	..	..	..	..	..	..	..	..	2

**Housing Cover**

Cover - - - - -	1188261	..	1	..	..	..	..	..	1	..	..	..	..	..	..
Cover - - - - -	1089489	..	..	1	1	1	1	..	..	1	1	1	..	..	..
Gasket - - - - -	1188262	..	1	..	..	..	..	..	1	..	..	..	..	..	..
Gasket - - - - -	563617	..	..	1	1	1	1	..	..	1	1	1	..	..	..
Stud - - - - -	1188263	..	12	..	..	..	..	..	..	12	..	..	..	..	..
Screw - - - - -	122253	..	..	12	12	12	12	..	..	12	12	12	..	..	..
Nut - - - - -	120370	..	12	..	..	..	..	..	12	..	..	..	..	..	..
Lockwasher - - - - -	120383	..	12	12	12	12	12	..	12	12	12	12	..	..	..
Plug - - - - -	666853	..	..	1	1	1	1	..	..	1	1	1	..	..	..

**GROUP 3-B DIFFERENTIAL**

**Differential And Carrier Assembly**

4.1 to 1 - - - - -	1390232	1	..	..	..	..	..	1	..	..	..	..	..	..	..
4.78 to 1 - - - - -	1390234	1	..	..	..	..	..	..	..	..	..	..	..	..	..
4.78 to 1 - - - - -	1501540	..	..	..	..	..	..	1	..	..	..	..	..	..	..
4.1 to 1 - - - - -	1500563	..	..	..	..	..	..	..	1	..	..	..	..	..	..

Indicates amount used as required.

† Indicates parts included in packages.

GROUP 3-REAR AXLE

PART NAME	PART NO.	MODEL CODES										
		DG AND FO					DH AND FP					
		1	2	3	4	5	6	1	2	4	5	6
<b>GROUP 3-B DIFFERENTIAL (CONT'D)</b>												
<b>Differential And Carrier Assembly (Cont'd)</b>												
4.3 to 1 - - - - -	1260946	..	1	..	..	..	..	..	..	..	..	..
4.89 to 1 - 8 3/4" - Note A - export - - -	1260948	..	1	..	..	..	..	..	..	..	..	..
4.89 to 1 - 9 5/8" - Note A - exc. export	1265979	..	1	..	..	..	..	1	..	..	..	..
5.57 to 1 - - - - -	1266304	..	..	1	..	..	..	..	..	..	..	..
6.33 to 1 - - - - -	1266312	..	..	1	1	..	..	..	1	..	..	..
6.83 to 1 - - - - -	1266316	..	..	..	1	..	..	..	1	..	..	..
6.33 to 1 - Note 3 - - - - -	1266312	..	..	..	..	1	..	..	..	..	..	..
6.33 to 1 - Note 4 - - - - -	1390724	..	..	..	..	1	..	..	..	1	..	..
6.83 to 1 - Note 3 - - - - -	1266316	..	..	..	..	1	..	..	..	..	..	..
6.83 to 1 - Note 4 - - - - -	1390728	..	..	..	..	1	..	..	..	1	..	..
6.28 to 1 - - - - -	1266369	..	..	..	..	..	1	..	..	..	1	..
6.83 to 1 - - - - -	1391046	..	..	..	..	..	..	..	..	..	1	..
6.80 to 1 - - - - -	1503022	..	..	..	..	..	..	..	..	..	..	1
7.16 to 1 - - - - -	1266372	..	..	..	..	1	..	..	..	..	..	..
<b>Differential Carrier And Cap</b>												
Assembly - - - - -	1141543	1	..	..	..	..	..	1	..	..	..	..
Assembly - - - - -	1327816	..	..	..	..	..	..	1	..	..	..	..
Assembly - 8 3/4" - Note A - 4.3 to 1 and 4.89 to 1 - - - - -	1092136	..	1	..	..	..	..	..	..	..	..	..
Assembly - 9 5/8" - Note A - 4.89 to 1 - -	926239	..	1	..	..	..	..	1	..	..	..	..
Assembly - 4.1 to 1 - - - - -	1092136	..	..	..	..	..	..	1	..	..	..	..
Assembly - - - - -	594685	..	..	1	1	1	..	..	1	1	..	..
Assembly - - - - -	1089492	..	..	..	..	1	..	..	..	..	1	..
Assembly - - - - -	1191729	..	..	..	..	..	..	..	..	..	..	1
Gasket - - - - -	1121939	1	..	..	..	..	..	1	..	..	..	..
Gasket - - - - -	929877	..	1	..	..	..	..	1	..	..	..	..
Gasket - - - - -	1089494	..	..	1	1	1	1	..	1	1	1	..
Gasket - - - - -	1191731	..	..	..	..	..	..	..	..	..	..	1
Dowel - - - - -	563656	..	..	2	2	2	2	..	2	2	2	..
Bolt - to housing - 1 9/32" - - - - -	1135197	11	..	..	..	..	..	11	..	..	..	..
Nut - - - - -	189381	11	..	..	..	..	..	11	..	..	..	..
Washer - - - - -	1116246	11	..	..	..	..	..	11	..	..	..	..
Stud - to housing - - - - -	929855	..	11	..	..	..	..	..	11	..	..	..
Screw - to housing - short - - - - -	122267	..	1	8	8	8	8	..	1	8	8	8
Screw - to housing - long - - - - -	122293	..	..	4	4	4	4	..	..	4	4	4
Stud - to housing - short - - - - -	1191734	..	..	..	..	..	..	..	..	..	..	10
Stud - to housing - long - - - - -	1193256	..	..	..	..	..	..	..	..	..	..	4
Nut - - - - -	929857	..	11	..	..	..	..	..	11	..	..	..
Nut - - - - -	120371	..	..	..	..	..	..	..	..	..	..	14
Lockwasher - - - - -	120383	..	12	12	12	12	12	..	12	12	12	12
Lockwasher - - - - -	120384	..	..	..	..	..	..	..	..	..	..	14
Screw - bearing cap - - - - -	314948	4	..	..	..	..	..	4	..	..	..	..
Lockwasher - - - - -	118975	4	..	..	..	..	..	4	..	..	..	..
Screw - bearing cap - - - - -	856851	..	4	..	..	..	..	..	4	..	..	..
Lockwasher - - - - -	138502	..	4	..	..	..	..	..	4	..	..	..
Stud - bearing cap - 9 5/8" - Note A - -	928288	..	4	..	..	..	..	..	4	..	..	..
Nut - - - - -	121358	..	4	..	..	..	..	..	4	..	..	..
Lockwasher - - - - -	138502	..	4	..	..	..	..	..	4	..	..	..
Screw - bearing cap - - - - -	587528	..	..	4	4	4	..	..	..	4	4	..
Lockwasher - - - - -	138561	..	..	4	4	4	..	..	..	4	4	..
Screw - bearing cap - - - - -	588945	..	..	..	..	4	..	..	..	..	4	..
Lockwasher - - - - -	138566	..	..	..	..	4	..	..	..	..	4	..
Screw - cap - - - - -	1273912	..	..	..	..	..	..	..	..	..	..	4
Lockwire - - - - -	581776	..	..	..	..	..	..	..	..	..	..	2
Plug - - - - -	666853	1	..	..	..	..	..	1	..	..	..	..
Plug - - - - -	103875	..	1	..	..	..	..	..	1	..	..	..
Plug - inspection - - - - -	1390672	..	..	..	..	..	..	..	..	..	..	1
<b>Differential Bearing</b>												
Cone - - - - -	698404	2	..	..	..	..	..	2	..	..	..	..
Cup - - - - -	698403	2	..	..	..	..	..	2	..	..	..	..
Cone - - - - -	855101	..	2	..	..	..	..	..	2	..	..	..

Indicates amount used as required.

† Indicates parts included in packages.



**GROUP 3 - REAR AXLE**

PART NAME	PART NO.	MODEL CODES											
		DG AND FO					DH AND FP						
		1	2	3	4	5	6	1	2	4	5	6	7
<b>GROUP 3-B DIFFERENTIAL (CONT'D)</b>													
<b>Differential Bearing (Cont'd)</b>													
Cup - - - - -	691241	..	2	..	..	..	..	..	2	..	..	..	..
Cone - 9 5/8" - Note A - - - - -	926244	..	2	..	..	..	..	..	2	..	..	..	..
Cup - 9 5/8" - Note A - - - - -	926245	..	2	..	..	..	..	..	2	..	..	..	..
Cone - - - - -	587530	..	..	2	2	2	..	..	..	2	2	..	..
Cup - - - - -	587531	..	..	2	2	2	..	..	..	2	2	..	..
Cone - - - - -	563567	..	..	..	..	..	2	..	..	..	..	2	..
Cup - - - - -	563568	..	..	..	..	..	2	..	..	..	..	2	..
Cone - - - - -	571823	..	..	..	..	..	..	..	..	..	..	..	2
Cup - - - - -	598576	..	..	..	..	..	..	..	..	..	..	..	2
Adjuster - - - - -	601864	2	..	..	..	..	..	2	..	..	..	..	..
Adjuster - - - - -	856852	..	2	..	..	..	..	..	2	..	..	..	..
Adjuster - 9 5/8" - Note A - - - - -	926246	..	2	..	..	..	..	..	2	..	..	..	..
Adjuster - - - - -	595987	..	..	2	2	2	..	..	..	2	2	..	..
Adjuster - - - - -	563628	..	..	..	..	..	2	..	..	..	..	2	..
Adjust nut - - - - -	1191726	..	..	..	..	..	..	..	..	..	..	..	2
Lock - - - - -	308247	2	..	..	..	..	..	2	..	..	..	..	..
Lock - - - - -	856226	..	2	..	..	..	..	..	2	..	..	..	..
Lock pin - - - - -	587533	..	..	2	2	2	..	..	..	2	2	..	..
Lock - - - - -	1191727	..	..	..	..	..	..	..	..	..	..	..	2
Screw - - - - -	120228	2	2	..	..	..	..	2	2	..	..	..	..
Screw - - - - -	922616	..	..	..	..	..	..	..	..	..	..	..	4
Cotter - - - - -	103390	..	..	2	2	2	2	..	..	2	2	2	..
Lockwire - - - - -	586050	..	..	..	..	..	..	..	..	..	..	..	2
Puller screw - - - - -	140982	..	..	..	..	..	..	..	..	..	..	..	2
Nut - - - - -	120378	..	..	..	..	..	..	..	..	..	..	..	2
<b>Differential Case</b>													
Case - - - - -	1142005	1	..	..	..	..	..	..	..	..	..	..	..
Case - - - - -	1327882	..	..	..	..	..	..	1	..	..	..	..	..
Assembly - case and cap - - - - -	927836	..	1	..	..	..	..	..	..	..	..	..	..
Case - - - - -	1092112	..	..	..	..	..	..	..	1	..	..	..	..
Case - 9 5/8" - Note A - - - - -	928300	..	1	..	..	..	..	..	1	..	..	..	..
Case - - - - -	1266215	..	..	1	1	1	..	..	..	1	1	..	..
Case - - - - -	1266218	..	..	..	..	..	1	..	..	..	..	1	..
Assembly - case and bearing cone - - - - -	1191702	..	..	..	..	..	..	..	..	..	..	..	1
Bolt - long - - - - -	1267771	..	..	..	..	..	..	..	..	..	..	..	8
Bolt - short - - - - -	1191724	..	..	..	..	..	..	..	..	..	..	..	4
Nut - - - - -	125250	..	..	..	..	..	..	..	..	..	..	..	12
Lockwire - - - - -	1264666	..	..	..	..	..	..	..	..	..	..	..	1
Pin - - - - -	142520	..	3	..	..	..	..	..	3	..	..	..	..
Pin - 9 5/8" - Note A - - - - -	144563	..	3	..	..	..	..	..	3	..	..	..	..
Cap - case - - - - -	1327883	..	..	..	..	..	..	1	..	..	..	..	..
Screw - - - - -	120233	..	..	..	..	..	..	6	..	..	..	..	..
Lockwasher - - - - -	668555	..	..	..	..	..	..	6	..	..	..	..	..
<b>Differential Side Gear</b>													
Gear - - - - -	1272584	2	..	..	..	..	..	..	..	..	..	..	..
Gear - - - - -	1326218	..	..	..	..	..	..	2	..	..	..	..	..
Gear - - - - -	922434	..	2	..	..	..	..	..	2	..	..	..	..
Gear - - - - -	1092939	..	..	2	2	2	..	..	..	2	2	..	..
Gear - - - - -	588946	..	..	..	..	..	2	..	..	..	..	2	..
Gear - - - - -	1191715	..	..	..	..	..	..	..	..	..	..	..	2
Thrust washer - - - - -	632587	2	..	..	..	..	..	2	..	..	..	..	..
Thrust washer - - - - -	922422	..	2	..	..	..	..	..	2	..	..	..	..
Thrust washer - - - - -	1092011	..	..	2	2	2	..	..	..	2	2	..	..
Thrust washer - - - - -	563558	..	..	..	..	..	2	..	..	..	..	2	..
Thrust washer - - - - -	1191716	..	..	..	..	..	..	..	..	..	..	..	2
<b>Differential Pinion</b>													
Gear - - - - -	1272585	2	..	..	..	..	..	..	..	..	..	..	..
Gear - - - - -	1326219	..	..	..	..	..	..	4	..	..	..	..	..

Indicates amount used as required.

† Indicates parts included in packages.

PART NAME	PART NO.	MODEL CODES											
		DG AND FO					DH AND FP						
		1	2	3	4	5	6	1	2	4	5	6	7
<b>GROUP 3-B DIFFERENTIAL (CONT'D)</b>													
<b>Differential Pinion (Cont'd)</b>													
Gear - - - - -	855097	..	4	..	..	..	..	..	4	..	..	..	..
Gear - - - - -	1092007	..	..	2	2	2	..	..	..	2	2	..	..
Gear - - - - -	588947	..	..	..	..	..	2	..	..	..	..	2	..
Assembly - pinion and bushing	1191717	..	..	..	..	..	..	..	..	..	..	..	4
Bushing - - - - -	1191719	..	..	..	..	..	..	..	..	..	..	..	4
Thrust washer - - - - -	663479	2	..	..	..	..	..	4	..	..	..	..	..
Thrust washer - - - - -	855098	..	4	..	..	..	..	..	4	..	..	..	..
Thrust washer - - - - -	1092009	..	..	2	2	2	..	..	..	2	2	..	..
Thrust washer - - - - -	588948	..	..	..	..	..	2	..	..	..	..	2	..
Thrust washer - - - - -	1191720	..	..	..	..	..	..	..	..	..	..	..	4
<b>Differential Pinion Shaft</b>													
Shaft - - - - -	1142006	1	..	..	..	..	..	..	..	..	..	..	..
Shaft - long - - - - -	663480	..	..	..	..	..	..	1	..	..	..	..	..
Shaft - short - - - - -	1092046	..	..	..	..	..	..	2	..	..	..	..	..
Shaft - long - - - - -	855099	..	1	..	..	..	..	..	1	..	..	..	..
Shaft - short - - - - -	927839	..	2	..	..	..	..	..	2	..	..	..	..
Shaft - - - - -	1266216	..	..	1	1	1	..	..	1	1	..	..	..
Shaft - - - - -	1266219	..	..	..	..	1	..	..	..	..	1	..	..
Lock pin - - - - -	141232	1	..	..	..	..	..	..	..	..	..	..	..
Lock pin - - - - -	141210	..	..	..	..	..	..	1	..	..	..	..	..
Lock pin - - - - -	141211	..	3	..	..	..	..	..	3	..	..	..	..
Lock pin - - - - -	141270	..	..	1	1	1	1	..	..	1	1	1	..
Block - shaft - - - - -	1092047	..	..	..	..	..	..	1	..	..	..	..	..
Block - shaft - - - - -	927840	..	1	..	..	..	..	..	1	..	..	..	..
<b>Differential Spider</b>													
Spider - - - - -	1191721	..	..	..	..	..	..	..	..	..	..	..	1
<b>GROUP 3-C DRIVE GEAR AND PINION</b>													
<b>Drive Gear And Pinion Set</b>													
4.1 to 1 ratio - - - - -	673661	1	..	..	..	..	..	1	..	..	..	..	..
Consists of:													
Gear - 41 teeth													
Pinion - 10 teeth													
4.78 to 1 ratio - - - - -	1192396	1	..	..	..	..	..	1	..	..	..	..	..
Consists of:													
Gear - 43 teeth													
Pinion - 9 teeth													
4.1 to 1 ratio - - - - -	1500579	..	..	..	..	..	..	..	1	..	..	..	..
Consists of:													
Gear - 41 teeth													
Pinion - 10 teeth													
4.3 to 1 ratio - - - - -	1189865	..	1	..	..	..	..	..	..	..	..	..	..
Consists of:													
Gear - 43 teeth													
Pinion - 10 teeth													
4.89 to 1 ratio - 8 3/4" - Note A - - - - -	1189867	..	1	..	..	..	..	..	..	..	..	..	..
Consists of:													
Gear - 44 teeth													
Pinion - 9 teeth													
4.89 to 1 ratio - 9 5/8" - Note A - - - - -	1265599	..	1	..	..	..	..	..	1	..	..	..	..
Consists of:													
Gear - 44 teeth													
Pinion - 9 teeth													
5.57 to 1 ratio - - - - -	1188007	..	..	1	..	..	..	..	..	..	..	..	..
Consists of:													
Gear - 39 teeth													
Pinion - 7 teeth													

Indicates amount used as required.

† Indicates parts included in packages.

**GROUP 3-REAR AXLE**

PART NAME	PART NO.	MODEL CODES											
		DG AND FO					DH AND FP						
		1	2	3	4	5	6	1	2	4	5	6	7
<b>GROUP 3-C DRIVE GEAR AND PINION (CONT'D)</b>													
<b>Drive Gear And Pinion Set (Cont'd)</b>													
6.33 to 1 ratio - - - - -	1188008	..	..	1	1	1	..	..	..	1	1	..	..
Consists of:													
Gear - 38 teeth													
Pinion - 6 teeth													
6.83 to 1 ratio - - - - -	1188009	..	..	..	1	1	..	..	..	1	1	..	..
Consists of:													
Gear - 41 teeth													
Pinion - 6 teeth													
6.28 to 1 ratio - - - - -	1089517	..	..	..	..	..	1	..	..	..	..	1	..
Consists of:													
Gear - 44 teeth													
Pinion - 7 teeth													
6.83 to 1 ratio - - - - -	1188594	..	..	..	..	..	..	..	..	..	..	1	..
Consists of:													
Gear - 41 teeth													
Pinion - 6 teeth													
6.80 to 1 ratio - - - - -	1392172	..	..	..	..	..	..	..	..	..	..	..	1
Consists of:													
Gear -     teeth													
Pinion    teeth													
7.16 to 1 ratio - - - - -	1089524	..	..	..	..	..	1	..	..	..	..	..	..
Consists of:													
Gear - 43 teeth													
Pinion - 6 teeth													
<b>GROUP 3-D DRIVE GEAR</b>													
<b>Drive Gear - See Matched Set - Group 3-C</b>													
Bolt - - - - -	663481	10	12	..	..	..	..	10	12	..	..	..	..
Nut - fibre lock - - - - -	189381	10	..	..	..	..	..	10	..	..	..	..	..
Nut - plain hex. - - - - -	120369	5	12	..	..	..	..	5	12	..	..	..	..
Lock - - - - -	663482	5	..	..	..	..	..	5	..	..	..	..	..
Lock - - - - -	601859	..	6	..	..	..	..	..	6	..	..	..	..
Thrust screw - - - - -	856868	..	1	..	..	..	..	..	1	..	..	..	..
Pad - - - - -	856870	..	1	..	..	..	..	..	1	..	..	..	..
Check nut - - - - -	856869	..	1	..	..	..	..	..	1	..	..	..	..
Screw - - - - -	567223	..	..	12	12	12	..	..	..	12	12	..	..
Screw - - - - -	588950	..	..	..	..	..	12	..	..	..	..	12	..
Nut - - - - -	120370	..	..	12	12	12	..	..	..	12	12	..	..
Nut lock - - - - -	587537	..	..	6	6	6	6	..	..	6	6	6	..
Thrust pad - - - - -	587538	..	..	1	1	1	1	..	..	1	1	1	..
Screw - - - - -	587539	..	..	1	1	1	1	..	..	1	1	1	..
Nut - - - - -	124954	..	..	1	1	1	1	..	..	1	1	1	..
Lockwasher - - - - -	131047	..	..	1	1	1	1	..	..	1	1	1	..
Thrust block - - - - -	1191743	..	..	..	..	..	..	..	..	..	..	..	1
Screw - - - - -	1191744	..	..	..	..	..	..	..	..	..	..	..	1
Nut - - - - -	114499	..	..	..	..	..	..	..	..	..	..	..	1
Rivet - - - - -	1191782	..	..	..	..	..	..	..	..	..	..	..	12
<b>GROUP 3-E DRIVE PINION</b>													
<b>Drive Pinion - See Matched Set - Group 3-C</b>													
<b>Drive Pinion Flange - See Propeller Shaft - Group 16</b>													
<b>Drive Pinion Bearing</b>													
Cone - front - - - - -	698414	1	..	..	..	..	..	..	..	..	..	..	..
Cone - front - - - - -	1401808	..	..	..	..	..	..	1	..	..	..	..	..
Cup - - - - -	698413	1	..	..	..	..	..	..	..	..	..	..	..
Cup - - - - -	1401810	..	..	..	..	..	..	1	..	..	..	..	..
Cone - rear - - - - -	698415	1	..	..	..	..	..	..	..	..	..	..	..
Cone - rear - - - - -	1401809	..	..	..	..	..	..	1	..	..	..	..	..

Indicates amount used as required.

† Indicates parts included in packages.

**GROUP 3-REAR AXLE**

PART NAME	PART NO.	MODEL CODES										
		DG AND FO					DH AND FP					
		1	2	3	4	5	6	1	2	4	5	6
<b>GROUP 3-E DRIVE PINION (CONT'D)</b>												
<b>Drive Pinion Bearing (Cont'd)</b>												
Cup - - - - -	698413	1	..	..	..	..	..	..	..	..	..	..
Cup - - - - -	1401810	..	..	..	..	..	..	1	..	..	..	..
Cone - front - - - - -	856859	..	1	..	..	..	..	..	1	..	..	..
Cup - - - - -	619395	..	1	..	..	..	..	..	1	..	..	..
Cone - rear - - - - -	856861	..	1	..	..	..	..	..	1	..	..	..
Cup - - - - -	688474	..	1	..	..	..	..	..	1	..	..	..
Assembly - front 9 5/8" - Note A - - - - -	926261	..	1	..	..	..	..	..	1	..	..	..
Cone - rear - 9 5/8" - Note A - - - - -	926264	..	1	..	..	..	..	..	1	..	..	..
Cup - 9 5/8" - Note A - - - - -	563572	..	1	..	..	..	..	..	1	..	..	..
Assembly - front - - - - -	587545	..	..	1	1	1	1	..	..	1	1	1
Cone - rear - - - - -	588887	..	..	1	1	1	1	..	..	1	1	1
Cup - - - - -	587551	..	..	1	1	1	1	..	..	1	1	1
Nut - front bearing retainer - 9 5/8" Note A	587557	..	1	1	1	1	1	..	1	1	1	1
Lock screw - - - - -	102883	..	1	1	1	1	1	..	1	1	1	1
Assembly - front - - - - -	1191872	..	..	..	..	..	..	..	..	..	..	1
Stud - - - - -	1192906	..	..	..	..	..	..	..	..	..	..	8
Nut - - - - -	120370	..	..	..	..	..	..	..	..	..	..	8
Lockwasher - - - - -	120383	..	..	..	..	..	..	..	..	..	..	8
Cone - front - outer - - - - -	1191867	..	..	..	..	..	..	..	..	..	..	1
Cup - - - - -	1191868	..	..	..	..	..	..	..	..	..	..	1
Cone - front - inner - - - - -	1191748	..	..	..	..	..	..	..	..	..	..	1
Cup - - - - -	1191868	..	..	..	..	..	..	..	..	..	..	1
Cover assembly - - - - -	1191745	..	..	..	..	..	..	..	..	..	..	1
Gasket - - - - -	1191747	..	..	..	..	..	..	..	..	..	..	1
Assembly - rear - - - - -	572556	..	..	..	..	..	..	..	..	..	..	1
Lock ring - - - - -	572557	..	..	..	..	..	..	..	..	..	..	1
Oil slinger - front bearing - - - - -	1141545	1	..	..	..	..	..	1	..	..	..	..
Oil slinger - front bearing - - - - -	866847	..	1	..	..	..	..	..	1	..	..	..
Oil baffle - rear bearing - - - - -	865671	..	1	..	..	..	..	..	1	..	..	..
<b>Drive Pinion Bearing Spacers-Shims-Washers.</b>												
Spacer - pinion bearing - - - - -	663483	1	..	..	..	..	..	1	..	..	..	..
Spacer - 1790 - - - - -	857488	..	*	..	..	..	..	..	*	..	..	..
Spacer - 1810 - - - - -	857489	..	*	..	..	..	..	..	*	..	..	..
Spacer - 1830 - - - - -	857490	..	*	..	..	..	..	..	*	..	..	..
Spacer - 1850 - - - - -	857491	..	*	..	..	..	..	..	*	..	..	..
Spacer - 1870 - - - - -	857492	..	*	..	..	..	..	..	*	..	..	..
Spacer - 1890 - - - - -	863477	..	*	..	..	..	..	..	*	..	..	..
Spacer - 1910 - - - - -	863478	..	*	..	..	..	..	..	*	..	..	..
Spacer - 1930 - - - - -	863479	..	*	..	..	..	..	..	*	..	..	..
Spacer - 1750 - - - - -	588896	..	..	*	*	*	*	..	..	*	*	*
Spacer - 1770 - - - - -	588897	..	..	*	*	*	*	..	..	*	*	*
Spacer - 1790 - - - - -	588898	..	..	*	*	*	*	..	..	*	*	*
Spacer - 1810 - - - - -	588899	..	..	*	*	*	*	..	..	*	*	*
Spacer - 1830 - - - - -	587552	..	..	*	*	*	*	..	..	*	*	*
Spacer - 1850 - - - - -	587553	..	..	*	*	*	*	..	..	*	*	*
Spacer - 1870 - - - - -	587554	..	..	*	*	*	*	..	..	*	*	*
Spacer - 1890 - - - - -	587555	..	..	*	*	*	*	..	..	*	*	*
Spacer - 1910 - - - - -	587556	..	..	*	*	*	*	..	..	*	*	*
Spacer - .219 - - - - -	1194372	..	..	..	..	..	..	..	..	..	..	*
Spacer - .220 - - - - -	1194373	..	..	..	..	..	..	..	..	..	..	*
Spacer - .221 - - - - -	1194374	..	..	..	..	..	..	..	..	..	..	*
Spacer - .222 - - - - -	1194375	..	..	..	..	..	..	..	..	..	..	*
Spacer - .223 - - - - -	1194376	..	..	..	..	..	..	..	..	..	..	*
Spacer - .224 - - - - -	1194377	..	..	..	..	..	..	..	..	1194377	..	*
Spacer - .230 - - - - -	1194378	..	..	..	..	..	..	..	..	..	..	*
Spacer - .236 - - - - -	1194379	..	..	..	..	..	..	..	..	..	..	*
Spacer - .242 - - - - -	1194380	..	..	..	..	..	..	..	..	..	..	*
Spacer - .248 - - - - -	1194381	..	..	..	..	..	..	..	..	1194381	..	*
Spacer - .254 - - - - -	1194382	..	..	..	..	..	..	..	..	..	..	*

Indicates amount used as required.

† Indicates parts included in packages.

**GROUP 3-REAR AXLE**

PART NAME	PART NO.	MODEL CODES										
		DG AND FO					DH AND FP					
		1	2	3	4	5	6	1	2	4	5	6
<b>GROUP 3-E DRIVE PINION (CONT'D)</b>												
<b>Drive Pinion Bearing Spacers-Shims-Washers (Cont'd)</b>												
Washer - front bearing - - - - -	856871	..	1	..	..	..	..	..	1	..	..	..
Washer - front bearing - - - - -	587548	..	..	1	1	1	1	..	..	1	1	1
Washer - rear bearing - .088 - - - - -	665237	1	..	..	..	..	..	1	..	..	..	..
Washer - rear bearing - .090 - - - - -	670109	1	..	..	..	..	..	1	..	..	..	..
Washer - rear bearing - .092 - - - - -	670110	1	..	..	..	..	..	1	..	..	..	..
Washer - rear bearing - .094 - - - - -	670111	1	..	..	..	..	..	1	..	..	..	..
Shim - front bearing - .010 - - - - -	688739	*	..	..	..	..	..	*	..	..	..	..
Shim - front bearing - .012 - - - - -	303856	*	..	..	..	..	..	*	..	..	..	..
Shim - front bearing - .015 - - - - -	303857	*	..	..	..	..	..	*	..	..	..	..
Shim - front bearing - .018 - - - - -	688741	*	..	..	..	..	..	*	..	..	..	..
Shim - .003 - - - - -	1191779	..	..	..	..	..	..	..	..	..	..	*
Shim - .005 - - - - -	1191780	..	..	..	..	..	..	..	..	..	..	*
Shim - .010 - - - - -	1191781	..	..	..	..	..	..	..	..	..	..	*
<b>Drive Pinion Oil Seal</b>												
Assembly - - - - -	663602	1	..	..	..	..	..	1	..	..	..	..
Assembly - - - - -	1271105	..	1	..	..	..	..	..	1	..	..	..
Assembly - 9 5/8" - Note A - - - - -	928114	..	1	..	..	..	..	..	1	..	..	..
Assembly - - - - -	587541	..	..	1	1	1	1	..	..	1	1	1
Assembly - - - - -	1191888	..	..	..	..	..	..	..	..	..	..	1
<b>GROUP 3-F REAR AXLE SHAFT</b>												
<b>Axle Shaft</b>												
Shaft - - - - -	1193503	2	..	..	..	..	..	..	..	..	..	..
Shaft - - - - -	1393887	..	..	..	..	..	..	2	..	..	..	..
Shaft - - - - -	1194067	..	2	..	..	..	..	..	2	..	..	..
Shaft - - - - -	1194483	..	..	2	2	..	..	..	..	2	..	..
Shaft - - - - -	1194486	..	..	..	2	2	..	..	..	..	2	2
Shaft - - - - -	1269394	..	..	..	..	..	..	..	..	..	..	2
Gasket - - - - -	915565	..	2	..	..	..	..	..	2	..	..	..
Gasket - - - - -	565911	..	..	2	2	2	2	..	..	2	2	2
Stud - - - - -	916414	..	12	..	..	..	..	..	12	..	..	..
Stud - - - - -	912435	..	..	16	16	16	16	..	..	16	16	16
Nut - - - - -	120369	..	12	..	..	..	..	..	12	..	..	..
Nut - - - - -	660377	..	..	16	16	16	16	..	..	16	16	16
Lockwasher - - - - -	120382	..	12	..	..	..	..	..	12	..	..	..
Lockwasher - - - - -	120383	..	..	16	16	16	16	..	..	16	16	16
Nut - - - - -	53553	2	..	..	..	..	..	2	..	..	..	..
Washer - - - - -	50652	2	..	..	..	..	..	2	..	..	..	..
Cotter - - - - -	103399	2	..	..	..	..	..	2	..	..	..	..
Thrust block - - - - -	651402	1	..	..	..	..	..	1	..	..	..	..
Spacer - - - - -	663607	2	..	..	..	..	..	2	..	..	..	..
Key - - - - -	1118149	2	..	..	..	..	..	2	..	..	..	..
<b>Axle Shaft Bearings</b>												
<b>NOTE: For parts not listed, see Group 22 - Wheels.</b>												
Cone - - - - -	1188716	2	..	..	..	..	..	2	..	..	..	..
Cup - - - - -	1188715	2	..	..	..	..	..	2	..	..	..	..
Shim - .005 - - - - -	1137203	*	..	..	..	..	..	*	..	..	..	..
Shim - .010 - - - - -	681319	*	..	..	..	..	..	*	..	..	..	..
Shim - .012 - - - - -	681320	*	..	..	..	..	..	*	..	..	..	..
Shim - .015 - - - - -	681321	*	..	..	..	..	..	*	..	..	..	..
Shim - .030 - - - - -	681322	*	..	..	..	..	..	*	..	..	..	..
<b>Oil Seal</b>												
Assembly - inner - - - - -	1139897	2	..	..	..	..	..	2	..	..	..	..
Assembly - outer - - - - -	1117814	2	..	..	..	..	..	2	..	..	..	..

Indicates amount used as required.

† Indicates parts included in packages.

**GROUP 3 - REAR AXLE**

PART NAME	PART NO.	MODEL CODES											
		DG AND FO					DH AND FP						
		1	2	3	4	5	6	1	2	4	5	6	7
<b>GROUP 3-G TIMKEN TWO - SPEED AXLE</b>													
SPECIAL NOTE: Two different timken axles are used on the DG6/FO6 and are identified by the type of axle housing each uses. When ordering or specifying parts for these axles use chart below.													
<b>Rear Axle Housing</b>													
Assembly - with round axle housing (Tube)	1194485	..	..	..	1	1	1	..	..	1	1	1	..
Assembly - with square axle housing (Tube)	1263050	..	..	..	..	..	1	..	..	..	..	..	..
Assembly - - - - -	1269415	..	..	..	..	..	..	..	..	..	..	..	1

TIMKEN AXLE COMPONENT PARTS	Qty.	1194485 Assy. (Round Housing)	1263050 Assy. (Square Housing)	1269415 Assy.
Breather assembly (3/8" - 24 x 1 21/32")	1	-----	1267562	1267562
Vent nipple - (3/4" long)	1	557049	557049	-----
Vent nipple - (1 1/2" long)	1	1392890	-----	-----
Cap	1	557056	557056	-----
Cotter	1	103373	103373	-----
Drain plug	1	-----	1191694	1191694
Gasket	1	-----	56155	56155
Dowel - spring seat	1	-----	1191693	1191693
<b>Housing Cover</b>				
Cover	1	1390987	-----	-----
Gasket	1	563617	-----	-----
Screw	1	122253	-----	-----
Lockwasher	1	120383	-----	-----
<b>Differential And Carrier</b>				
Assembly-6.13 and 8.10 ratio on DG4/DH4/ FO4/FP4	1	1264322	-----	-----
Assembly-6.13 and 8.10 ratio on DG5/FO5- Note 3	1	1264322	-----	-----
Assembly-6.13 and 8.10 ratio on DG5/FO5- Note 4 and DH5/DG6/DH6/FP5/ FO6/FP6	1	1273141	-----	-----
Assembly - 6.16 and 8.10 ratio	1	-----	-----	1503025
Assembly-6.70 and 8.86 ratio on DG5/FO5- Note 3	1	1264324	-----	-----
Assembly-6.70 and 8.86 ratio on DG5/FO5- Note 4 and DH5/DG6/FP5/FO6	1	1264323	-----	-----
Assembly-6.6 and 8.8 ratio on DG6/FO6	1	-----	1263935	1263935
Gasket	1	1089494	1191731	1191731
Screw - to housing - long	4	122273	-----	-----
Screw - to housing - short	4	122253	-----	-----
Stud	4	929855	-----	-----
Nut	4	929857	-----	-----
Dowel - locking	4	1390358	-----	-----
Stud - long	4	-----	1193256	1193256
Stud - short	10	-----	1191734	1191734
Pin	4	-----	1192897	1192897
Nut	14	-----	120371	120371
Lockwasher	*	120383	120384	120384
Lockwasher	4	-----	135629	135629
Puller screw	2	-----	140982	140982
Nut	2	-----	120378	120378
Plug - oil level	1	113181	106642	-----

Indicates amount used as required.

† Indicates parts included in packages.

**GROUP 3-REAR AXLE**

TIMKEN AXLE COMPONENT PARTS (CONT'D)	Qty.	1194485 Assy. (Round Housing)	1263050 Assy. (Square Housing)	1269415 Assy.
<b>Differential Carrier And Cap</b>				
Assembly - - - - -	1	1264652	-----	-----
Assembly - - - - -	1	-----	1263736	1263736
Screw - cap - - - - -	4	1270468	-----	-----
Stud - cap - - - - -	4	-----	1273912	1273912
Nut - - - - -	4	-----	125384	125384
Washer - - - - -	4	-----	1191736	1191736
Lockwire - - - - -	2	1267952	581776	581776
<b>Differential Case</b>				
Assembly - - - - -	1	1264659	1192101	1192101
<b>Differential Side Gear</b>				
Gear - - - - -	2	1264617	1191715	1191715
Thrust washer - - - - -	2	1264669	1191716	1191716
<b>Differential Pinion Gear</b>				
Assembly - - - - -	4	1264670	1191717	1191717
Bushing - - - - -	4	1264671	1191719	1191719
Thrust washer - - - - -	4	1264673	1191720	1191720
<b>Differential Pinion Spider</b>				
Spider - - - - -	1	1264674	1191721	1191721
<b>Differential Bearing</b>				
Cone - - - - -	2	1264668	571823	571823
Cup - - - - -	2	563568	598576	598576
Nut - adjust - - - - -	2	918318	1191726	1191726
Lock - - - - -	2	1264675	1191727	1191727
Screw - - - - -	2	922616	922616	922616
Lockwire - - - - -	2	-----	530102	530102
<b>Differential Spiral Pinion</b>				
Pinion - high speed - - - - -	1	1264679	1190702	1190702
Pinion - low speed - - - - -	1	1264680	1190701	1190701
Shift - collar - - - - -	1	1264681	1190705	1190705
Lock plunger - - - - -	3	1190706	1190706	1190706
Plunger spring - - - - -	3	1190707	1190707	1190707
<b>Differential Spiral Pinion Shaft</b>				
Shaft - - - - -	1	1264678	1190704	1190704
Bearing - right - - - - -	1	566600	1192129	1192129
Bearing - left - - - - -	1	1264685	1192126	1192126
Cup - - - - -	2	563572	1192127	1192127
Washer - - - - -	2	566587	566587	566587
Screw - - - - -	4	1192131	1192131	1192131
Lockwire - - - - -	2	586050	530102	530102
Key - drive gear - - - - -	1	1192144	1192144	1192144
<b>Spiral Pinion Shaft Bearing Retainer</b>				
Retainer and baffle assembly - - - - -	1	-----	1263862	1263862
Retainer cap - - - - -	1	1264690	-----	-----
Screw - - - - -	6	1264686	1268706	1268706
Lockwasher - - - - -	6	120384	120384	120384
Shim .003 - - - - -	*	1264692	1192133	1192133
Shim .005 - - - - -	*	1264693	1192134	1192134
Shim .010 - 2 of 1264693 - - - - -	*	1264693	-----	-----
Shim .030 - - - - -	*	-----	1192135	1192135

Indicates amount used as required.

† Indicates parts included in packages.

GROUP 3-REAR AXLE

TIMKEN AXLE COMPONENT PARTS (CONT'D)	Qty.	1194485 Assy. (Round Housing)	1263050 Assy. (Square Housing)	1269415 Assy.
<b>Spiral Pinion Shaft Bearing Cage</b>				
Assembly - - - - -	1	1264682	1192123	1192123
Screw - - - - -	6	1264686	1268706	1268706
Lockwasher - - - - -	6	120384	120384	120384
Shim .003 - - - - -	*	1264687	1192138	1192138
Shim .005 - - - - -	*	1264688	1192139	1192139
Shim .010 - 2 of 1264688 - - - - -	*	1264688	-----	-----
Shim .030 - - - - -	*	-----	1192141	1192141
<b>Differential Drive Gear</b>				
Gear - high speed - - - - -	1	1264662	1190709	1190709
Gear - low speed - - - - -	1	1264663	1190708	1190708
Bolt - long - - - - -	8	1264664	1190710	1190710
Bolt - short - - - - -	8	1264665	-----	-----
Bolt - high speed gear - - - - -	4	-----	1192104	1192104
Bolt - low speed gear - - - - -	4	-----	1192907	1192907
Nut - - - - -	16	128025	125384	125384
Lockwire - long - - - - -	2	1264666	-----	-----
Lockwire - short - - - - -	1	581776	-----	-----
Lockwire - - - - -	8	-----	586050	586050
<b>Drive Gear And Pinion Set</b>				
Assembly - 6.13 and 8.10 - - - - -	1	1264811	-----	-----
Consists of:				
Gear - 23 teeth				
Pinion - 8 teeth				
Assembly - 6.16 and 8.19 - - - - -	1	-----	-----	1501181
Consists of:				
Gear -				
Pinion -				
Assembly - 6.70 and 8.86 - - - - -	1	1264700	-----	-----
Consists of:				
Gear - 22 teeth				
Pinion - 7 teeth				
Assembly - 6.6 and 8.8 - - - - -	1	-----	1195382	1195382
Consists of:				
Gear - 25 teeth				
Pinion - 8 teeth				
<b>Axle Drive Pinion Bearing</b>				
Cone - front - - - - -	1	567226	668520	668520
Cup - - - - -	1	619395	619395	619395
Cone - rear - - - - -	1	588887	1263857	1263857
Cup - - - - -	1	587551	1193605	1193605
Oil seal - front bearing - - - - -	1	1264708	1192109	1192109
<b>Drive Pinion Front Bearing Spacer</b>				
Spacer - .157 - - - - -	*	1264753	-----	-----
Spacer - .159 - - - - -	*	1264754	-----	-----
Spacer - .163 - - - - -	*	1264755	-----	-----
Spacer - .167 - - - - -	*	1264756	-----	-----
Spacer - .171 - - - - -	*	1264757	-----	-----
Spacer - .175 - - - - -	*	1265128	-----	-----
Spacer - .177 - - - - -	*	1265129	-----	-----
Spacer - .187 - - - - -	*	-----	1193783	1193783
Spacer - .189 - - - - -	*	-----	1193782	1193782
Spacer - .193 - - - - -	*	-----	1193781	1193781
Spacer - .197 - - - - -	*	-----	1193780	1193780
Spacer - .201 - - - - -	*	-----	1193779	1193779
Spacer - .205 - - - - -	*	-----	1193778	1193778
Spacer - .207 - - - - -	*	-----	1193777	1193777
Spacer - .209 - - - - -	*	-----	1195978	1195978



**GROUP 3-REAR AXLE**

TIMKEN AXLE COMPONENT PARTS (CONT'D)		1194485 Assy. (Round Housing)	1263050 Assy. (Square Housing)	1269415 Assy.
<b>Drive Pinion Carrier And Bearing Cup</b>				
Assembly - - - - -	1	1264702	1192113	1192113
Screw - - - - -	6	1267104	1267104	1267104
Lockwasher - - - - -	6	120898	120898	120898
Plug - - - - -	1	103868	103868	103868
Shim - .003 - - - - -	*	1264705	1192115	1192115
Shim - .005 - - - - -	*	1264706	1192116	1192116
Shim - .030 - - - - -	*	1264707	1192117	1192117
<b>Axle Shift Fork</b>				
Fork - - - - -	1	1264699	1190700	1190700
Screw - - - - -	1	1190711	1190711	1190711
Locknut - - - - -	1	120370	120370	120370
<b>Axle Drive Shaft</b>				
Shaft - - - - -	2	1194486	1191795	1269394
Gasket - - - - -	4	565911	1191796	1191796
Stud - - - - -	16	912435	1090620	1090620
Nut - - - - -	16	660377	120371	120371
Lockwasher - - - - -	16	120383	135629	135629
Dowel - - - - -	16	-----	1191797	1191797
<b>GROUP 3-H VACUUM SHIFT CONTROLS</b>				
<b>Axle Shift Diaphragm</b>				
Assembly - Note 1 - - - - -	1	1263594	-----	-----
Assembly - Note 2 - - - - -	1	1264697	-----	-----
Assembly - - - - -	1	-----	1263594	1263594
Diaphragm - - - - -	1	1195022	1195022	1195022
Gasket - - - - -	1	1190693	1190693	1190693
Stud - Note 1 - - - - -	2	1190699	-----	-----
Stud - Note 2 - - - - -	2	1264698	-----	-----
Stud - - - - -	2	-----	1190699	1190699
Nut - - - - -	2	120369	120369	120369
Lockwasher - - - - -	2	120382	120382	120382
Plug - button - - - - -	1	1263596	1263596	1263596
Shim - .003 - - - - -	*	1190694	1190694	1190694
Shim - .005 - - - - -	*	1190695	1190695	1190695
Shim - .010 - - - - -	*	1190696	1190696	1190696
Shim - .030 - - - - -	*	1263864	1263864	1263864
<b>Axle Shift Diaphragm Push Rod</b>				
Assembly - Note 1 - - - - -	1	1263598	-----	-----
Assembly - Note 2 - - - - -	1	1264619	-----	-----
Assembly - - - - -	1	-----	1263598	1263598
Push rod - Note 1 - - - - -	1	1195020	-----	-----
Push rod - Note 2 - - - - -	1	1265053	-----	-----
Push rod - - - - -	1	-----	1195020	1195020
Locknut - - - - -	1	1263597	1263597	1263597
Push rod seal assembly - front -	1	1195133	1195133	1195133
Push rod bolt assembly - - - - -	1	1263867	1263867	1263867
Snap ring - - - - -	1	1263866	1263866	1263866
<b>Axle Shift Diaphragm Sleeve</b>				
Sleeve - Note 1 - - - - -	1	1190697	-----	-----
Sleeve - Note 2 - - - - -	1	1264696	-----	-----
Sleeve - - - - -	1	-----	1190697	1190697
Seal - - - - -	1	1263689	1263689	1263689
<b>Axle Shift Diaphragm Shell</b>				
Plug - Note 1 - - - - -	1	143932	-----	-----
Plug - - - - -	1	-----	143932	143932

GROUP 3-REAR AXLE

PART NAME	PART NO.	MODEL CODES											
		DG AND FO					DH AND FP						
		1	2	3	4	5	6	1	2	4	5	6	7
<b>GROUP 3-H VACUUM SHIFT CONTROLS</b>													
<b>Axle Vacuum Shift Hose</b>													
Assembly - - - - -	1192392	..	..	..	1	1	1	..	..	1	1	1	1
Clamp - - - - -	1188056	..	..	..	1	1	1	..	..	1	1	1	1
Nut - - - - -	120368	..	..	..	1	1	1	..	..	1	1	1	1
Lockwasher - - - - -	120214	..	..	..	1	1	1	..	..	1	1	1	1
<b>Axle Vacuum Shift Control Tubes - Rear</b>													
Assembly - 128" W.B. - - - - -	1196209	..	..	..	1	1	1	..	..	1	..	1	1
Assembly - 140" W.B. - - - - -	1196210	..	..	..	..	..	1	..	..	..	..	..	..
Assembly - 152" W.B. - - - - -	1196211	..	..	..	1	1	1	..	..	1	1	1	1
Assembly - 170" W.B. - - - - -	1196212	..	..	..	1	1	1	..	..	..	1	1	1
Assembly - 192" W.B. - - - - -	1196319	..	..	..	1	1	..	..	..	..	..	..	..
Assembly - 212" W.B. - - - - -	1196213	..	..	..	..	..	1	..	..	..	..	..	..
Nut - - - - -	137401	..	..	..	2	2	2	..	..	2	2	2	2
Clip - - - - -	1263079	..	..	..	*	*	*	..	..	*	*	*	*
Gasket - - - - -	1193156	..	..	..	*	*	*	..	..	*	*	*	*
Drive Pin (5/16" dia.) - - - - -	1263915	..	..	..	*	*	*	..	..	*	*	*	*
<b>Axle Vacuum Shift Tube - Front</b>													
Assembly - - - - -	1260719	..	..	..	1	1	1	..	..	1	1	1	1
Nut - - - - -	137401	..	..	..	4	4	4	..	..	4	4	4	4
Union - - - - -	137417	..	..	..	1	1	1	..	..	1	1	1	1
Gasket - - - - -	1193156	..	..	..	*	*	*	..	..	*	*	*	*
Elbow - at control valve - - - - -	137425	..	..	..	1	1	1	..	..	1	1	1	1
<b>Manifold To Control Valve Tube</b>													
Assembly - - - - -	1196717	..	..	..	1	1	1	..	..	1	1	1	1
Nut - - - - -	137401	..	..	..	2	2	2	..	..	2	2	2	2
Gasket - - - - -	1193156	..	..	..	2	2	2	..	..	2	2	2	2
<b>Axle Vacuum Shift Valve</b>													
Assembly - - - - -	1188059	..	..	..	1	1	1	..	..	1	1	1	1
Bracket - - - - -	1188058	..	..	..	1	1	1	..	..	1	1	1	1
Screw - bracket to dash - - - - -	917801	..	..	..	2	2	2	..	..	2	2	2	2
Screw - valve to bracket - - - - -	123520	..	..	..	1	1	1	..	..	1	1	1	1
Lockwasher - - - - -	120382	..	..	..	1	1	1	..	..	1	1	1	1
Bolt - R.H.D. - - - - -	121661	..	..	..	1	1	1	..	..	1	1	1	1
Plunger - - - - -	1191660	..	..	..	1	1	1	..	..	1	1	1	1
Screen - - - - -	1191661	..	..	..	1	1	1	..	..	1	1	1	1
Guide - - - - -	1191662	..	..	..	1	1	1	..	..	1	1	1	1
Lockwire - - - - -	1191663	..	..	..	1	1	1	..	..	1	1	1	1
Seat - plunger valve - - - - -	1191664	..	..	..	1	1	1	..	..	1	1	1	1
Ball - check valve - - - - -	1191666	..	..	..	1	1	1	..	..	1	1	1	1
Body - check valve ball - - - - -	1191665	..	..	..	1	1	1	..	..	1	1	1	1
Spring - check valve ball - - - - -	1191667	..	..	..	1	1	1	..	..	1	1	1	1
Cap ball spring - - - - -	1262002	..	..	..	1	1	1	..	..	1	1	1	1
Seat - check valve ball - - - - -	1191668	..	..	..	1	1	1	..	..	1	1	1	1
Lever - operating - - - - -	1191669	..	..	..	1	1	1	..	..	1	1	1	1
Pin - slotted - - - - -	1191670	..	..	..	1	1	1	..	..	1	1	1	1
Cotter - - - - -	103373	..	..	..	3	3	3	..	..	3	3	3	3
Spring - operating lever - - - - -	1191671	..	..	..	1	1	1	..	..	1	1	1	1
Screw - - - - -	131899	..	..	..	1	1	1	..	..	1	1	1	1
Lockwasher - - - - -	131044	..	..	..	1	1	1	..	..	1	1	1	1
Air filter - - - - -	1191672	..	..	..	1	1	1	..	..	1	1	1	1
Cover - - - - -	1191673	..	..	..	1	1	1	..	..	1	1	1	1
Screen - - - - -	1191674	..	..	..	1	1	1	..	..	1	1	1	1
Screw - - - - -	132723	..	..	..	2	2	2	..	..	2	2	2	2
Nut - - - - -	134530	..	..	..	2	2	2	..	..	2	2	2	2
Lockwasher - - - - -	131044	..	..	..	2	2	2	..	..	2	2	2	2

Indicates amount used as required.

† Indicates parts included in packages.

**GROUP 3-REAR AXLE**

PART NAME	PART NO.	MODEL CODES											
		DG AND FO					DH AND FP						
		1	2	3	4	5	6	1	2	4	5	6	7
<b>GROUP 3-H VACUUM SHIFT CONTROLS (CONT'D)</b>													
<b>Axle Vacuum Shift Cable</b>													
Assembly - - - - -	1262101	..	..	..	1	1	1	..	..	1	1	1	1
Nut - mounting - - - - -	120369	..	..	..	1	1	1	..	..	1	1	1	1
Lockwasher - - - - -	120382	..	..	..	1	1	1	..	..	1	1	1	1
Cotter - - - - -	103373	..	..	..	1	1	1	..	..	1	1	1	1
Bracket - - - - -	1191684	..	..	..	2	2	2	..	..	2	2	2	2
Screw - - - - -	121661	..	..	..	1	1	1	..	..	1	1	1	1
Nut - - - - -	120368	..	..	..	1	1	1	..	..	1	1	1	1
Lockwasher - - - - -	120214	..	..	..	1	1	1	..	..	1	1	1	1
Clip - - - - -	860174	..	..	..	1	1	1	..	..	1	1	1	1
Clip - - - - -	51563	..	..	..	1	1	1	..	..	1	1	1	1
Bolt - - - - -	123461	..	..	..	1	1	1	..	..	1	1	1	1
Nut - - - - -	120367	..	..	..	1	1	1	..	..	1	1	1	1
Lockwasher - - - - -	120380	..	..	..	1	1	1	..	..	1	1	1	1
Clamp screw - - - - -	120910	..	..	..	1	1	1	..	..	1	1	1	1
Nut - - - - -	1191685	..	..	..	1	1	1	..	..	1	1	1	1
Lockwasher - - - - -	120217	..	..	..	1	1	1	..	..	1	1	1	1
<b>Speedometer Drive Adapter</b>													
Assembly - - - - -	1273585	..	..	..	1	1	1	..	..	1	1	1	1
Bushing - - - - -	1273587	..	..	..	1	1	1	..	..	1	1	1	1
Key - - - - -	921052	..	..	..	1	1	1	..	..	1	1	1	1
Arm assembly - - - - -	588156	..	..	..	1	1	1	..	..	1	1	1	1
<b>Adapter Diaphragm And Bracket</b>													
Assembly - - - - -	1188060	..	..	..	1	1	1	..	..	1	1	1	1
Screw - - - - -	120221	..	..	..	2	2	2	..	..	2	2	2	2
Lockwasher - - - - -	120217	..	..	..	2	2	2	..	..	2	2	2	2
Diaphragm and rod - - - - -	1191676	..	..	..	1	1	1	..	..	1	1	1	1
Spring pull back rod - - - - -	1191678	..	..	..	1	1	1	..	..	1	1	1	1
Mounting bracket - - - - -	1191677	..	..	..	1	1	1	..	..	1	1	1	1
Screw - diaphragm to bracket - - -	115136	..	..	..	4	4	4	..	..	4	4	4	4
<b>Adapter To Control Valve Tube</b>													
Assembly - - - - -	861557	..	..	..	1	1	1	..	..	1	1	1	1
Nut - - - - -	137396	..	..	..	2	2	2	..	..	2	2	2	2
Connector - - - - -	1191679	..	..	..	1	1	1	..	..	1	1	1	1
Connector - - - - -	670463	..	..	..	1	1	1	..	..	1	1	1	1

**NOTES:**

---



---



---



---



---



---



---



---



---



---



---



---



---



---



---



---



---



---



---



---



---



---

Indicates amount used as required.

‡ Indicates parts included in packages.

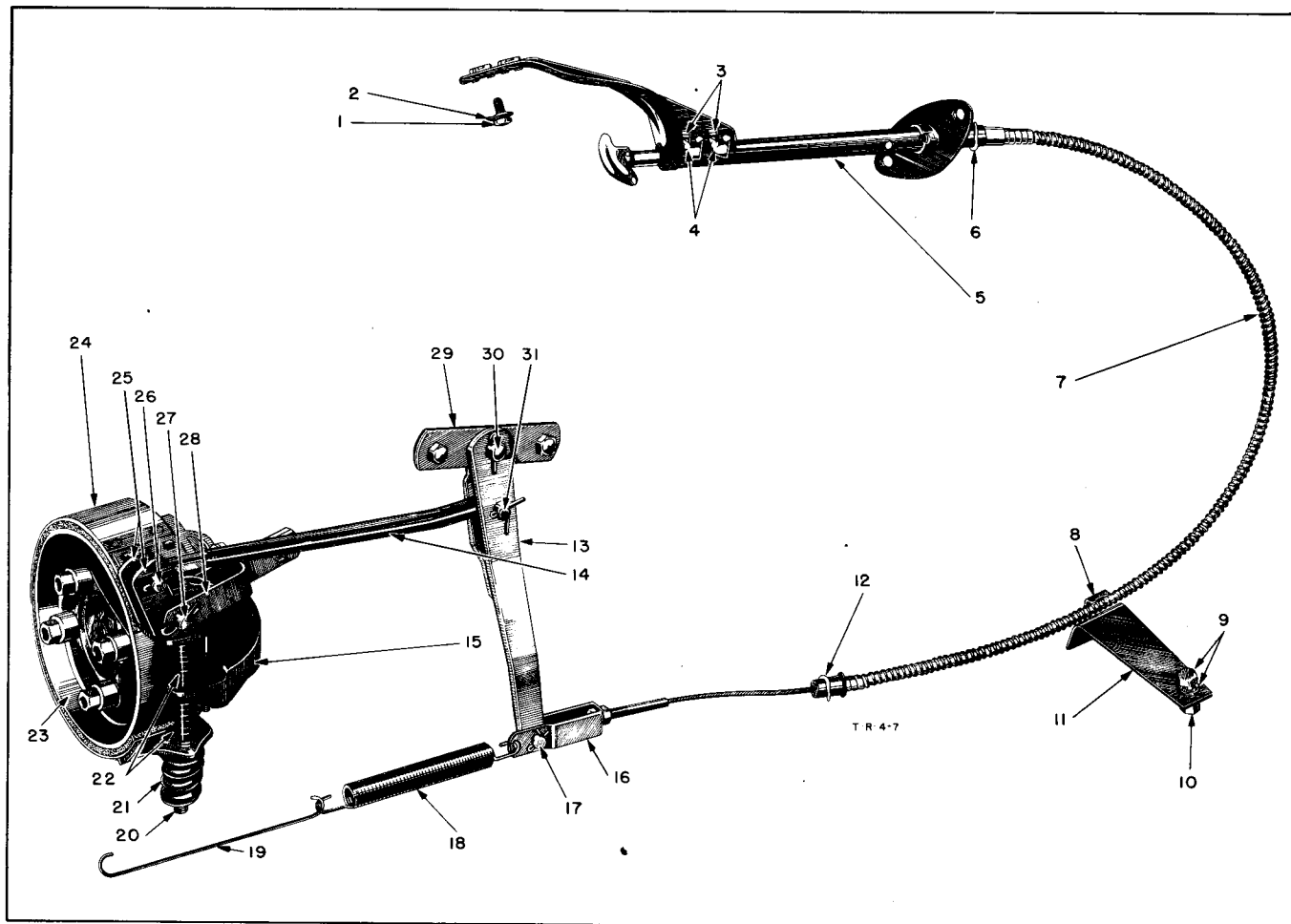
# GROUP 4 - HAND BRAKE

4-1

MODELS  
1/2 and 1 Ton

HAND BRAKE

Plate 11



Ref. No.	Part Name	Group	Ref. No.	Part Name	Group
1	Pull rod screw.....	4-D	16	Hand brake cable clevis.....	4-G
2	Pull rod screw washer.....	4-D	17	Hand brake cable clevis pin.....	4-G
3	Pull rod pawl spring.....	4-D	18	Pull back spring.....	4-G
4	Pull rod pawl.....	4-D	19	Pull back spring extension.....	4-G
5	Pull rod assy.....	4-D	20	Brake adjust bolt.....	4-C
6	Cable retaining clip.....	4-G	21	Brake operating spring.....	4-C
7	Hand brake cable.....	4-G	22	Brake adjust spring.....	4-C
8	Cable bracket clip.....	4-G	23	Hand brake drum.....	4-A
9	Cable bracket screw & washer.....	4-G	24	Hand brake band assy.....	4-B
10	Cable bracket screw nut.....	4-G	25	Hand brake cam lever.....	4-H
11	Cable bracket.....	4-G	26	Brake clevis pin - rear.....	4-F
12	Cable retaining clip.....	4-G	27	Hand brake spacer link pin.....	4-H
13	Idler lever.....	4-E	28	Hand brake spacer link.....	4-H
14	Hand brake rod.....	4-F	29	Idler lever support.....	4-E
15	Hand brake support.....	21-A	30	Idler lever support pin.....	4-E
			31	Brake rod clevis pin - front.....	4-F

**GROUP 4 - HAND BRAKE**

**Note:** Parts Referred to "Note 1" were used up to and including:  
 Parts Referred to "Note 2" were used after the following Serial Nos.:

With 4-S peed Trans. and Fluid Drive	With 4-Speed Trans. less Fluid Drive
DG2-91185435	DG2-91185487
FO2-91506806	FO2-91506844

**Note:** Parts Referred to "Note 3 " were used up to and including:  
 Parts Referred to "Note 4" were used after the following Engine Ser. Nos.:

T 317-3053C	T 319-5026C	TX 315-1001C
-------------	-------------	--------------

Except: Note 4 parts used on T 319 From engine Ser. No. 5181C to 5194C

**Note:** Parts Referred to "Note 5" were used up to and including:  
 Parts Referred to "Note 6" were used after the following Serial Nos.:

DG2-91186437	FO2-91507472
--------------	--------------

**Special Note:** To install a 4-speed transmission in DG2/DH2/FO2/FP2 Trucks use DG3/Dh3/FO3/FP3 4 speed transmission and handbrake, except use DG2/DH3/FO2/FP2 Hand Brake Lever Assy., and Cable Assy. for Additional changes due to this installation see the respective groups of Clutch Propeller Shaft and Steering Gear.

**Special Note:** Two types of 4-speed Transmissions have been used on DG4/DGS/FO4/FOS Trucks and can be identified by position of the transmission case Drain Plug. One Transmissions has Drain Plug at rear of case and the other has Drain Plug at right side of case. The Hand Brakes are similarly identified.

PART NAME	PART NO.	MODEL CODES												
		DG AND FO					DH AND FP							
		1	2	3	4	5	6	1	2	4	5	6	7	
<b>GROUP 4-A HAND BRAKE DRUM</b>														
<b>Hand Brake Drum</b>														
Brake drum - - - - -	1138242	1	..	..	..	..	..	1	..	..	..	..	..	6
Brake drum - exc. 4-speed trans. - - - - -	1191363	..	1	..	..	..	..	..	1	..	..	..	..	..
Brake drum - with 4-speed trans. - - - - -	1195433	..	1	1	..	..	..	..	1	..	..	..	..	..
Brake drum - with trans. case drain plug at rear - exc. 5-speed trans. - - - - -	1195433	..	..	..	1	1	..	..	..	..	..	..	..	..
Brake drum - with trans. case drain plug at right side - exc. 5-speed trans. - - - - -	1274645	..	..	..	1	1	..	..	..	1	1	..	..	..
Brake drum - with 5-speed trans. - note 3-	1195433	..	..	..	..	1	1	..	..	..	..	..	..	..
Brake drum - with 5-speed trans. - note 4-	1274645	..	..	..	1	1	1	..	..	1	1	1	1	1
Bolt - - - - -	651470	4	..	..	..	..	..	4	..	..	..	..	..	..
Bolt - - - - -	582512	..	4	4	4	4	4	..	4	4	4	4	4	4
Nut - - - - -	125913	4	..	..	..	..	..	4	..	..	..	..	..	..
Nut - - - - -	120370	..	4	4	4	4	4	..	4	4	4	4	4	4
Lockwasher - - - - -	138489	4	..	..	..	..	..	4	..	..	..	..	..	..
Lockwasher - - - - -	136857	..	4	4	4	4	4	..	4	4	4	4	4	4
<b>GROUP 4-B HAND BRAKE BAND</b>														
<b>Hand Brake Band</b>														
Assembly - - - - -	1274230	1	..	..	..	..	..	1	..	..	..	..	..	..
Assembly - exc. 4-speed trans. - - - - -	1196316	..	1	..	..	..	..	..	1	..	..	..	..	..
Assembly - with 4-speed trans. - - - - -	1194326	..	1	1	..	..	..	..	1	..	..	..	..	..
Assembly - with trans. case drain plug at rear - exc. 5-speed trans. - - - - -	1194326	..	..	..	1	1	..	..	..	..	..	..	..	..
Assembly - with trans. case drain plug at right side - exc. 5-speed trans. - - - - -	1272922	..	..	..	1	1	..	..	..	1	1	..	..	..
Assembly - with 5-speed trans. - note 3 -	1194326	..	..	..	1	1	1	..	..	..	..	..	..	..
Assembly - with 5-speed trans. - note 4 -	1272922	..	..	..	1	1	1	..	..	1	1	1	1	1
Lining - use 16 11/16" of 1311086 - - - - -		1	..	..	..	..	..	1	..	..	..	..	..	..
Lining - exc. 4-speed trans. - - - - -	579204	..	1	..	..	..	..	..	1	..	..	..	..	..
Lining - with 4-speed trans. - - - - -	1194329	..	1	1	..	..	..	..	1	..	..	..	..	..
Lining - with trans. case drain plug at rear - exc. 5-speed trans. - - - - -	1194329	..	..	..	1	1	..	..	..	..	..	..	..	..

Indicates amount used as required.

Indicates parts included in packages.

GROUP 4-  
Hand Bra

LI  
ri  
LI  
LI

R  
Hand Bra

Hand Br  
Anch  
R  
S  
S  
S  
S

GROUP 4

Hand Br  
Bra  
S  
1  
Bol  
Bol  
Bol  
Bol

Scr

Gui

GROUP

Hand  
Ass

Indica

**GROUP 4 - HAND BRAKE**

PART NAME	PART NO.	MODEL CODES											
		DG AND FO					DH AND FP						
		1	2	3	4	5	6	1	2	4	5	6	7
<b>GROUP 4-B HAND BRAKE BAND (Cont'd)</b>													
<b>Hand Brake Band (Cont'd)</b>													
Lining - with trans. case drain plug at right side - exc. 5-speed trans. - - -	1272926	..	..	..	1	1	..	..	..	1	1	..	..
Lining - with 5-speed trans. - note 3 -	1194329	..	..	..	..	1	1	..	..	..	..	..	..
Lining - with 5-speed trans. - note 4 -	1272926	..	..	..	1	1	1	..	..	1	1	1	1
Rivet - split - - - - -	113194	12	..	..	..	..	..	12	..	..	..	..	..
Rivet - tubular - - - - -	104944	4	..	..	..	..	..	4	..	..	..	..	..
Rivet - - - - -	114518	..	*	*	*	*	*	..	*	*	*	*	*
Rivet - bracket to band - - - - -	104152	8	6	8	8	8	8	8	6	8	8	8	8
<b>Hand Brake Band Support - See Group 21</b>													
Transmission mainshaft rear bearing retainer - - - - -													
<b>Hand Brake Band Ancnor</b>													
Anchor - - - - -	655460	1	..	..	..	..	..	1	..	..	..	..	..
Rivet - anchor to band - - - - -	104152	4	6	6	6	6	6	4	6	6	6	6	6
Spring - - - - -	661312	1	..	..	..	..	..	1	..	..	..	..	..
Spring - anchor to clip - - - - -	517384	..	1	1	1	1	1	..	1	1	1	1	1
Screw - - - - -	665454	1	..	..	..	..	..	1	..	..	..	..	..
Screw - - - - -	596694	..	1	1	1	1	1	..	1	1	1	1	1
Lockwire - - - - -	14155	1	1	1	1	1	1	1	1	1	1	1	1
<b>GROUP 4-C HAND BRAKE BAND ADJUST PARTS</b>													
<b>Hand Brake Band Adjust Parts</b>													
Bracket - adjusting screw - - - - -	1194332	..	..	1	1	1	1	..	..	1	1	1	1
Screw - - - - -	120233	..	..	2	2	2	2	..	..	2	2	2	2
Lockwasher - - - - -	120382	..	..	2	2	2	2	..	..	2	2	2	2
Bolt - - - - -	634661	1	..	..	..	..	..	1	..	..	..	..	..
Bolt - exc. 4-speed trans. - - - - -	579186	..	1	..	..	..	..	..	1	..	..	..	..
Bolt - with 4-speed trans. - - - - -	517382	..	1	..	..	..	..	..	1	..	..	..	..
Bolt - - - - -	580048	..	..	1	1	1	1	..	..	1	1	1	1
Nut - - - - -	120377	1	..	..	..	..	..	1	..	..	..	..	..
Nut - - - - -	124834	..	2	2	2	2	2	..	2	2	2	2	2
Plainwasher - - - - -	120395	..	..	1	1	1	1	..	..	1	1	1	1
Spring - - - - -	388302	2	..	..	..	..	..	2	..	..	..	..	..
Spring - - - - -	566729	..	2	2	2	2	2	..	2	2	2	2	2
Spring - operating - - - - -	580050	..	..	1	1	1	1	..	..	1	1	1	1
Clevis pin - with 5-speed trans. - - -	657929	..	..	..	1	1	1	..	..	1	1	1	1
Cotter - with 5-speed trans. - - - - -	119209	..	..	..	1	1	1	..	..	1	1	1	1
Screw - bracket adjusting - - - - -	566990	..	..	1	1	1	1	..	..	1	1	1	1
Nut - - - - -	120375	..	..	2	2	2	2	..	..	2	2	2	2
Lockwasher - - - - -	120380	..	..	1	1	1	1	..	..	1	1	1	1
Guide bolt - - - - -	566990	1	1	..	..	..	..	1	1	..	..	..	..
Nut - - - - -	120375	2	2	..	..	..	..	2	2	..	..	..	..
Lockwasher - - - - -	120380	1	1	..	..	..	..	1	1	..	..	..	..
<b>GROUP 4-D HAND BRAKE PULL ROD</b>													
<b>Hand Brake Pull Rod</b>													
Assembly - - - - -	1271992	1	1	..	..	..	..	1	1	..	..	..	..
Pawl - - - - -	1390356	2	2	..	..	..	..	2	2	..	..	..	..
Spring - - - - -	1390000	2	2	..	..	..	..	2	2	..	..	..	..
Screw - to instrument panel - - - - -	151384	2	2	..	..	..	..	2	2	..	..	..	..
Nut - - - - -	1335055	2	2	..	..	..	..	2	2	..	..	..	..
Lockwasher - - - - -	1097771	2	2	..	..	..	..	2	2	..	..	..	..
Bolt - to dash - - - - -	123473	2	2	..	..	..	..	2	2	..	..	..	..
Nut - - - - -	120368	2	2	..	..	..	..	2	2	..	..	..	..
Lockwasher - - - - -	1097771	2	2	..	..	..	..	2	2	..	..	..	..
Pin - guide - - - - -	1270117	1	1	..	..	..	..	1	1	..	..	..	..

Indicates amount used as required.

† Indicates parts included in packages.



**GROUP 4 - HAND BRAKE**

PART NAME	PART NO.	MODEL CODES										
		DG AND FO					DH AND FP					
		1	2	3	4	5	6	1	2	4	5	6
<b>GROUP 4-G HAND BRAKE CABLE (CONT'D)</b>												
<b>Hand Brake Cable (cont'd)</b>												
Assembly - with fluid drive - with 4-speed trans. - note 2	1273029	..	1	..	..	..	..	..	..	..	..	..
Clevis - exc. 4-speed trans.	1272600	1	1	..	..	..	..	1	1	..	..	..
Clevis - with 4-speed trans. - note 1	1266643	..	1	..	..	..	..	..	1	..	..	..
Clevis - with 4-speed trans. - note 2	1272600	..	1	..	..	..	..	..	1	..	..	..
Nut	120368	2	2	..	..	..	..	2	2	..	..	..
Lockwasher	120214	1	1	..	..	..	..	1	1	..	..	..
Pin	652970	1	1	..	..	..	..	1	1	..	..	..
Clip - retaining	1266645	2	2	..	..	..	..	2	2	..	..	..
Spring - pull back - exc. 4-speed trans.	1272602	1	1	..	..	..	..	1	1	..	..	..
Spring - pull back - with 4-speed trans. note 1	1088169	..	1	..	..	..	..	..	..	..	..	..
Spring - pull back - with 4-speed trans. note 2	1272602	..	1	..	..	..	..	..	1	..	..	..
Extension - exc. 4-speed trans.	1272995	1	1	..	..	..	..	..	..	..	..	..
Extension - less fluid drive - with 4-speed trans.	1311447	..	1	..	..	..	..	..	..	..	..	..
Extension	1311447	..	..	..	..	..	..	1	1	..	..	..
Bracket - to frame	1267619	1	1	..	..	..	..	1	1	..	..	..
Bolt - L.H.D.	120647	1	1	..	..	..	..	1	1	..	..	..
Bolt - R.H.D.	121615	1	1	..	..	..	..	1	1	..	..	..
Nut	120369	1	1	..	..	..	..	1	1	..	..	..
Lockwasher	120382	1	1	..	..	..	..	1	1	..	..	..
Bracket - pull back spring - with fluid drive - exc. 4-speed trans.	1272996	1	1	..	..	..	..	1	1	..	..	..
Bolt	120741	1	1	..	..	..	..	1	1	..	..	..
Nut	120368	1	1	..	..	..	..	1	1	..	..	..
Lockwasher	120214	1	1	..	..	..	..	1	1	..	..	..
Bracket - pull back spring - with fluid drive - with 4-speed trans. - note 5	1273180	..	1	..	..	..	..	..	..	..	..	..
Bracket - pull back spring - with fluid drive - with 4-speed trans. - note 6	1272996	..	1	..	..	..	..	..	1	..	..	..
Bolt	123520	..	1	..	..	..	..	..	1	..	..	..
Nut	120369	..	1	..	..	..	..	..	1	..	..	..
Lockwasher	120382	..	1	..	..	..	..	..	1	..	..	..
Clip - bracket	1267620	1	1	..	..	..	..	1	1	..	..	..
Bolt	120741	1	1	..	..	..	..	1	1	..	..	..
Nut	120368	1	1	..	..	..	..	1	1	..	..	..
Lockwasher	120214	1	1	..	..	..	..	1	1	..	..	..
<b>GROUP 4-H HAND BRAKE OPERATING LEVER</b>												
<b>Hand Brake Operating Lever</b>												
Cam lever	694771	2	2	..	..	..	..	2	2	..	..	..
Cam lever	556908	..	..	2	2	2	2	..	..	2	2	2
Link - outer	665465	1	..	..	..	..	..	1	..	..	..	..
Link - inner	665464	1	..	..	..	..	..	1	..	..	..	..
Link - except 4-speed trans.	579189	..	1	..	..	..	..	..	1	..	..	..
Link - with 4-speed trans.	1194333	..	1	1	..	..	..	..	1	..	..	..
Link - with trans. case drain plug at rear - exc. 5-speed trans.	1194333	..	..	..	1	1	..	..	..	..	..	..
Link - with trans. case drain plug at right side - exc. 5-speed trans.	1391658	..	..	..	1	1	..	..	..	1	1	..
Link - left - with 5-speed trans. - note 3	1195483	..	..	..	..	1	1	..	..	..	..	..
Link - right - with 5-speed trans. - note 3	1195482	..	..	..	..	1	1	..	..	..	..	..
Link - with 5-speed trans. - note 4	1272931	..	..	..	1	1	1	..	..	1	1	1
Stud - with 4-speed trans.	566596	..	1	1	..	..	..	..	1	..	..	..
Stud - with trans. case drain plug at rear - exc. 5-speed trans.	566596	..	..	..	1	1	..	..	..	..	..	..
Stud - with trans. case drain plug at right side - exc. 5-speed trans.	1391659	..	..	..	1	1	..	..	..	1	1	..

Indicates amount used as required.

† Indicates parts included in packages.



### GROUP 4-HAND BRAKE

PART NAME	PART NO.	MODEL CODES											
		DG AND FO					DH AND FP						
		1	2	3	4	5	6	1	2	4	5	6	7
<b>GROUP 4-H HAND BRAKE OPERATION LEVER (CONT'D)</b>													
<b>Hand Brake Operation Lever (cont'd)</b>													
Stud - with 5-speed trans. - - - -	1195484	..	..	..	1	1	1	..	..	1	1	1	1
Spacer - with 5-speed trans. - - - -	1195485	..	..	..	*	*	*	..	..	*	*	*	*
Cotter - exc. 5-speed trans. - - - -	103373	..	1	1	1	1	..	..	1	1	1	..	..
Cotter - with 5-speed trans. - - - -	119209	..	..	..	1	1	1	..	..	1	1	1	1
Pin - link - - - - -	661282	1	..	..	..	..	..	1	..	..	..	..	..
Pin - link - - - - -	579237	..	1	..	..	..	..	..	1	..	..	..	..
Lock - - - - -	654232	1	1	..	..	..	..	1	1	..	..	..	..
Clevis pin - - - - -	56788	1	..	..	..	..	..	1	..	..	..	..	..
Clevis pin - - - - -	657929	..	1	1	1	1	..	..	1	1	1	..	..
Cotter - - - - -	137254	1	..	..	..	..	..	1	..	..	..	..	..
Cotter - - - - -	103396	..	1	1	1	1	1	..	1	1	1	1	1

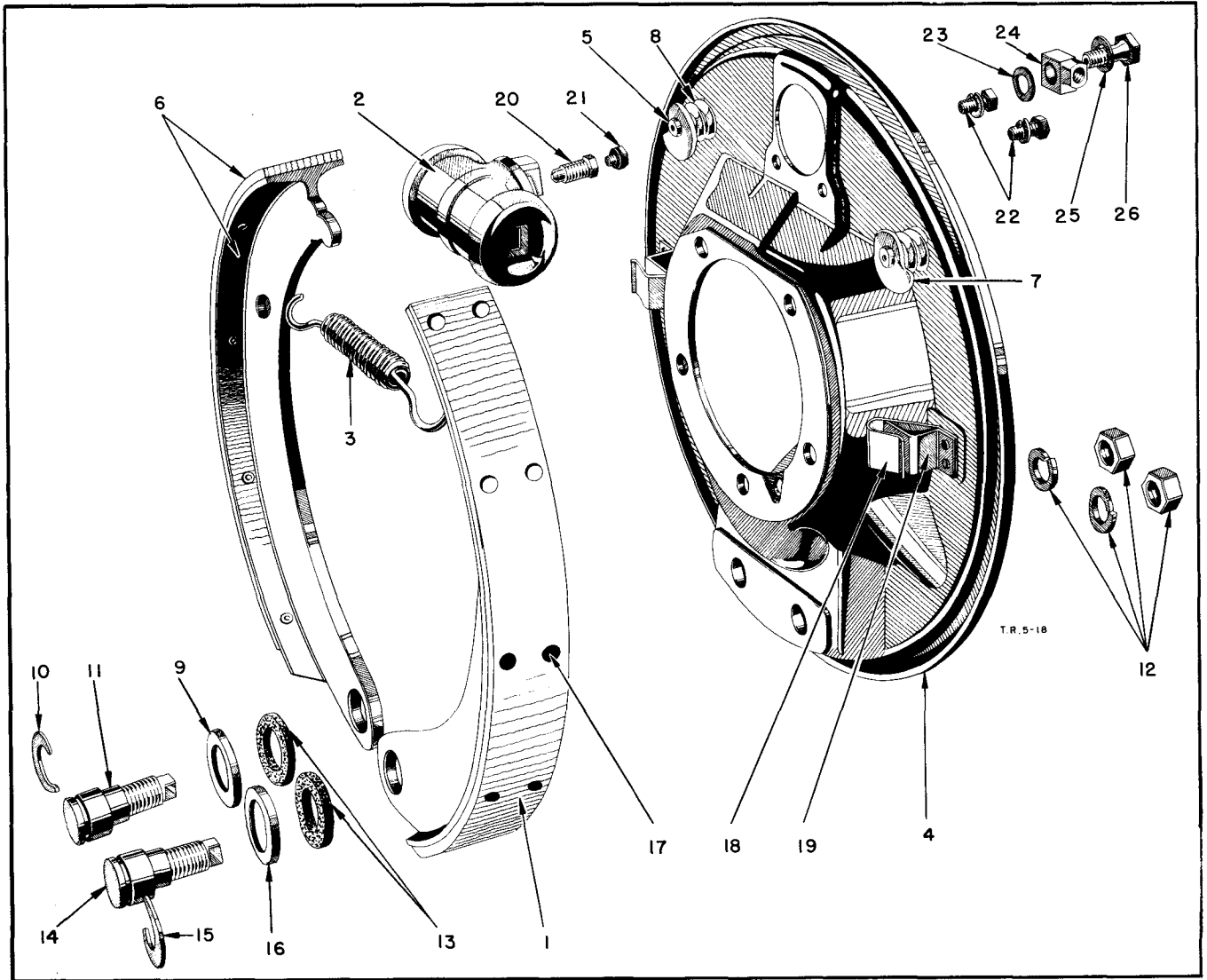
#### NOTES:

Indicates amount used as required.

† Indicates parts included in packages.

SERVICE-BRAKE

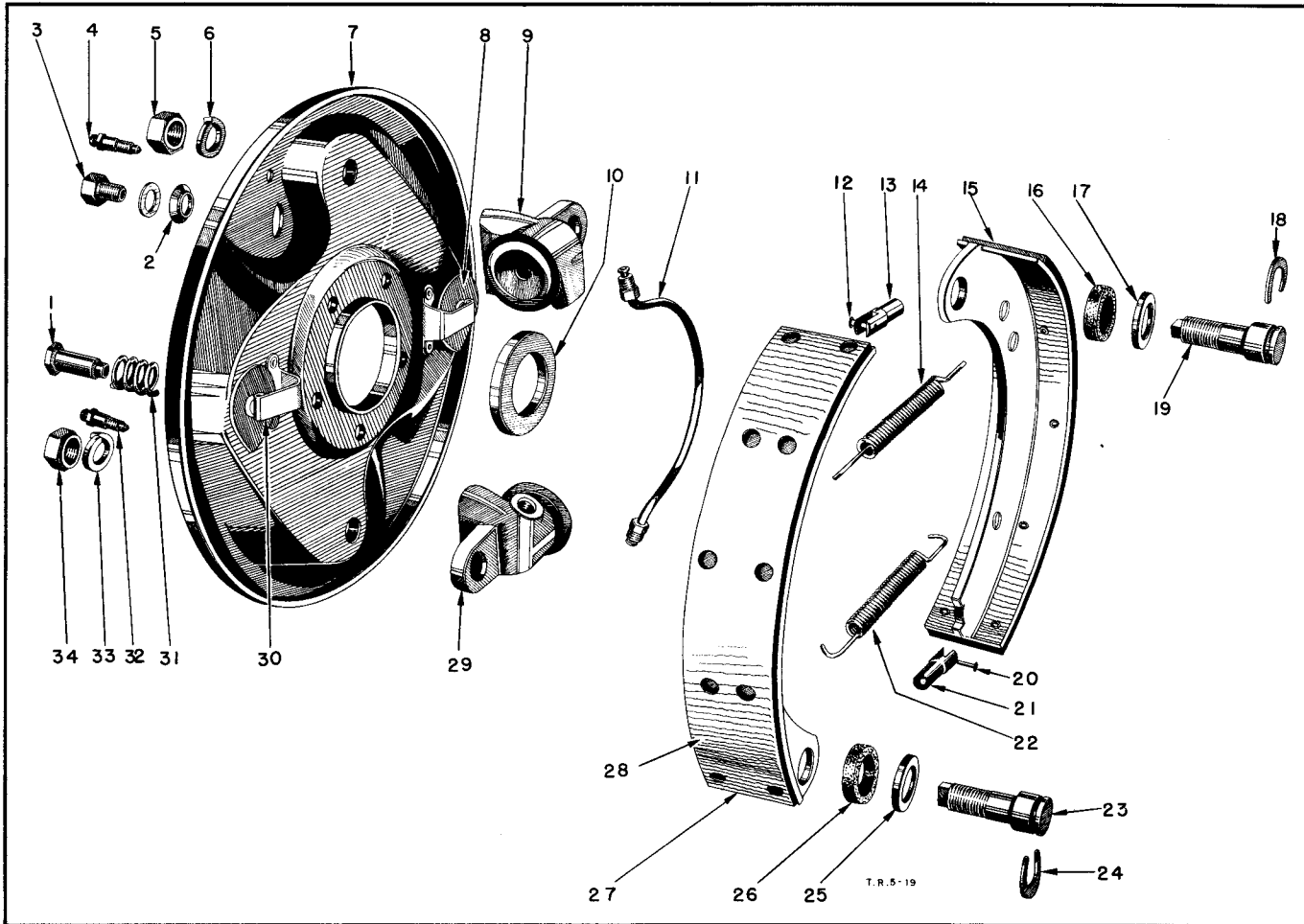
Plate 12



Ref. No.	Part Name	Group
1	Brake shoe lining.....	5-B
2	Wheel cylinder.....	5-L
3	Shoe return spring.....	5-G
4	Brake support.....	5-C
5	Brake shoe adjusting pin.....	5-E
6	Brake shoe and lining.....	5-B
7	Brake shoe adjusting cam.....	5-E
8	Brake shoe adjusting cam spring.....	5-E
9	Anchor bolt oil washer retainer.....	5-D
10	Brake shoe anchor bolt C-washer.....	5-D
11	Brake shoe anchor bolt.....	5-D
12	Brake shoe anchor bolt nut and washer.....	5-D
13	Anchor bolt oil washer.....	5-D

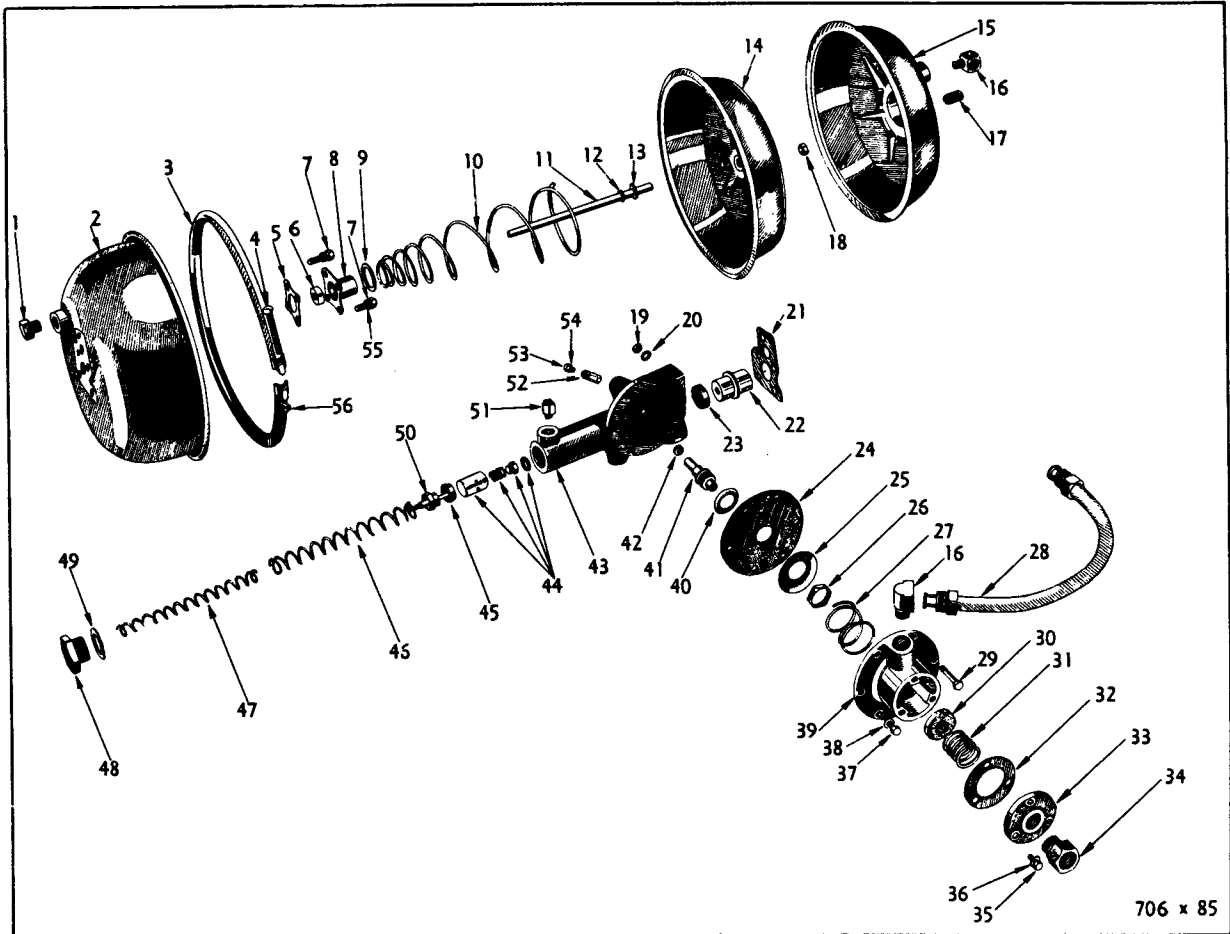
Ref. No.	Part Name	Group
14	Brake shoe anchor bolt.....	5-D
15	Brake shoe anchor bolt C-washer.....	5-D
16	Anchor bolt oil washer retainer.....	5-D
17	Brake lining rivet.....	5-B
18	Brake shoe guide spring.....	5-F
19	Brake shoe guide.....	5-F
20	Wheel cylinder bleeder screw.....	5-L
21	Bleeder screw cap screw.....	5-L
22	Wheel cylinder screw.....	5-L
23	Cylinder inlet connection gasket.....	5-L
24	Inlet connection.....	5-L
25	Inlet connection bolt gasket.....	5-L
26	Inlet connection bolt.....	5-L

SERVICE BRAKE



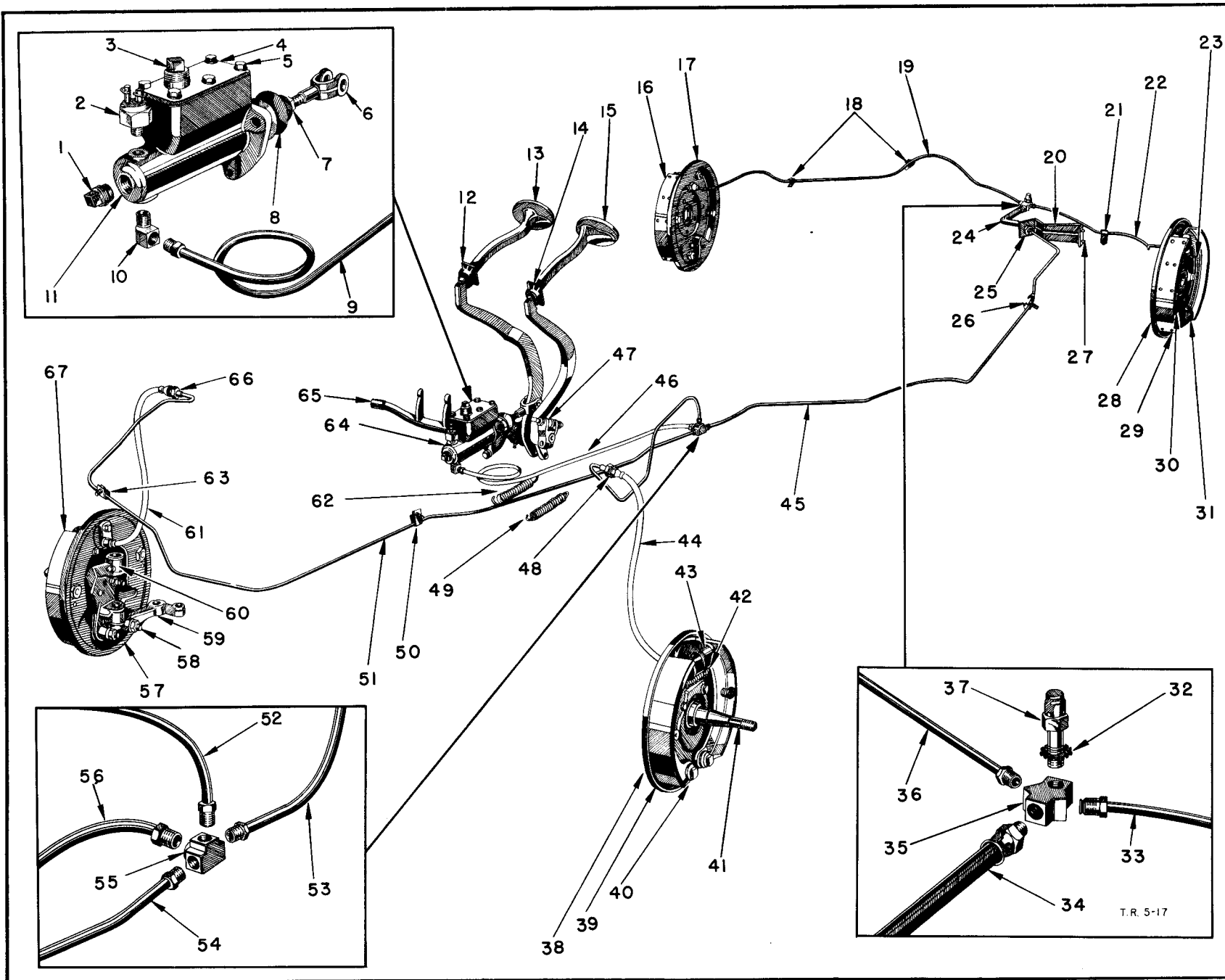
Ref. No.	Part Name	Group	Ref. No.	Part Name	Group
1	Shoe adjusting pin.....	5-E	18	Anchor bolt "C" washer.....	5-D
2	Inlet connection gasket.....	5-L	19	Anchor bolt.....	5-D
3	Inlet tube connector.....	5-L	20	Brake shoe rod rivet.....	5-B
4	Cylinder bleeder screw.....	5-L	21	Brake shoe rod.....	5-B
5	Anchor bolt nut.....	5-D	22	Shoe return spring.....	5-G
6	Anchor bolt nut lockwasher.....	5-D	23	Anchor bolt.....	5-D
7	Brake support.....	5-C	24	Anchor bolt "C" washer.....	5-D
8	Adjusting cam.....	5-E	25	Oil washer retainer.....	5-D
9	Wheel cylinder.....	5-L	26	Anchor bolt oil washer.....	5-D
10	Oil seal - outer.....	3-F	27	Shoe and lining.....	5-B
11	Cylinder tube.....	5-L	28	Shoe lining.....	5-B
12	Brake shoe rod rivet.....	5-B	29	Wheel cylinder.....	5-L
13	Brake shoe rod.....	5-B	30	Shoe guide spring.....	5-F
14	Shoe return spring.....	5-G	31	Adjusting cam spring.....	5-E
15	Shoe and lining.....	5-B	32	Cylinder bleeder screw.....	5-L
16	Anchor bolt oil washer.....	5-D	33	Anchor bolt nut lockwasher.....	5-D
17	Oil washer retainer.....	5-D	34	Anchor bolt nut.....	5-D

BOOSTER BRAKE



Ref. No.	Part Name	Group
1	Check valve to booster tube connector.....	5-M
2	Vacuum chamber body front half.....	5-M
3	Vacuum body clamp strap.....	5-M
4	Clamp strap bolt.....	5-M
5	Piston push rod seal retainer gasket - rear.....	5-M
6	Piston push rod seal assembly - rear.....	5-M
7	Vacuum chamber body to slave cylinder screw.....	5-M
8	Piston push rod seal retainer - rear.....	5-M
9	Diaphragm return spring washer.....	5-M
10	Diaphragm return spring.....	5-M
11	Piston push rod.....	5-M
12	Piston push rod snap ring.....	5-M
13	Piston push rod collar.....	5-M
14	Diaphragm and pressure plate assembly.....	5-M
15	Vacuum chamber body - rear half.....	5-M
16	Vacuum valve to vacuum chamber tube elbow.....	5-M
17	Vacuum chamber body pipe plug.....	5-M
18	Piston push rod lock nut.....	5-M
19	Valve to slave cylinder body bolt nut.....	5-M
20	Valve to slave cylinder body bolt nut lockwasher.....	5-M
21	Slave cylinder body gasket.....	5-M
22	Piston push rod bushing.....	5-M
23	Piston push rod seal - front.....	5-M
24	Vacuum valve diaphragm.....	5-M
25	Vacuum valve diaphragm washer - large.....	5-M
26	Vacuum valve diaphragm nut.....	5-M
27	Vacuum valve diaphragm return spring.....	5-M
28	Vacuum valve to vacuum chamber tube.....	5-M
29	Vacuum valve body to slave cylinder body bolt.....	5-M

Ref. No.	Part Name	Group
30	Vacuum valve disc assembly.....	5-M
31	Vacuum valve disc spring.....	5-M
32	Vacuum valve cover gasket.....	5-M
33	Vacuum valve cover.....	5-M
34	Breather air cleaner tube connector.....	5-M
35	Vacuum valve cover screw.....	5-M
36	Vacuum valve cover screw lockwasher.....	5-M
37	Vacuum valve body to slave cylinder body screw.....	5-M
38	Vacuum valve body to slave cylinder body screw lockwasher.....	5-M
39	Vacuum valve body.....	5-M
40	Vacuum valve diaphragm washer - small.....	5-M
41	Vacuum valve plunger and piston assembly.....	5-M
42	Vacuum valve plunger and piston seal.....	5-M
43	Slave cylinder body.....	5-M
44	Slave cylinder piston assembly.....	5-M
45	Slave cylinder piston cup.....	5-M
46	Slave cylinder piston return spring - outer.....	5-M
47	Slave cylinder piston return spring inner.....	5-M
48	Slave cylinder end plug.....	5-M
49	Slave cylinder end plug washer.....	5-M
50	Slave cylinder piston return spring retainer.....	5-M
51	Booster to frame tee tube elbow.....	5-M
52	Slave cylinder bleeder screw.....	5-M
53	Slave cylinder bleeder screw cap screw.....	5-M
54	Slave cylinder bleeder screw cap screw lockwasher.....	5-M
55	Vacuum chamber body to slave cylinder screw lockwasher.....	5-M
56	Clamp strap bolt nut.....	5-M



# HYDRAULIC BRAKE SYSTEM (Cont'd)

Plate 15 (Cont'd)

Ref. No.	Part Name	Group	Ref. No.	Part Name	Group
1	Master cylinder end plug.....	5-I	35	Axle brake tube tee.....	5-J
2	Signal light switch.....	8-L	36	Rear axle brake tube - right.....	5-J
3	Cylinder filler plug.....	5-I	37	Housing vent screw.....	3-A
4	Cylinder cover.....	5-I	38	Front brake support.....	5-C
5	Cylinder cover screw.....	5-I	39	Front brake shoe lining.....	5-B
6	Cylinder end.....	5-I	40	Front brake shoe anchor bolt.....	5-D
7	Cylinder end nut.....	5-I	41	Steering knuckle - left.....	2-C
8	Cylinder boot.....	5-I	42	Shoe return spring.....	5-G
9	Cylinder to frame tee tube.....	5-J	43	Wheel cylinder.....	5-L
10	Cylinder to frame tee tube elbow.....	5-J	44	Front brake hose.....	5-K
11	Master cylinder assembly.....	5-I	45	Tee to rear hose tube.....	5-J
12	Pedal draft pad.....	5-H	46	Master cylinder to tee tube.....	5-J
13	Brake pedal.....	5-H	47	Clutch pedal adjust collar.....	6-F
14	Pedal draft pad.....	5-H	48	Brake hose nut.....	5-K
		6-F	49	Pedal return spring.....	5-H
15	Clutch pedal.....	6-F			6-F
16	Rear brake shoe and lining.....	5-B	50	Brake tube clip.....	5-J
17	Rear brake support.....	5-C	51	Tee to front hose tube - right.....	5-J
18	Rear axle brake tube clip.....	5-J	52	Tee to front hose tube - left.....	5-J
19	Rear axle brake tube - right.....	5-J	53	Tee to rear hose tube.....	5-J
20	Brake tube bracket.....	5-J	54	Tee to front hose tube - right.....	5-J
21	Rear axle brake tube clip.....	5-J	55	Brake tube tee.....	5-J
22	Rear axle brake tube - left.....	5-J	56	Master cylinder to tee tube.....	5-J
23	Wheel cylinder connecting tube.....	5-L	57	Front brake support.....	5-C
24	Rear axle brake tube hose.....	5-K	58	Brake shoe anchor bolt.....	5-D
25	Brake hose nut.....	5-K	59	Steering knuckle arm - right.....	2-D
26	Brake tube clip.....	5-J	60	Steering knuckle - right.....	2-C
27	Bracket to frame bolt.....	5-J	61	Front brake hose.....	5-K
28	Rear brake support.....	5-C	62	Pedal return spring.....	5-H
29	Rear brake shoe lining.....	5-B			6-F
30	Shoe return spring.....	5-G	63	Brake tube clip.....	5-J
31	Wheel cylinder.....	5-L	64	Master cylinder assembly.....	5-I
32	Housing vent screw lockwasher		65	Clutch release fork.....	6-E
33	Rear axle brake tube - left.....	5-J	66	Brake hose nut.....	5-K
34	Rear axle brake tube hose.....	5-K	67	Brake shoe and lining.....	5-B

GROUP 5 - SERVICE BRAKE

# GROUP 5 - SERVICE BRAKE

## BOOSTER BRAKE AND AXLE VACUUM SHIFT SYSTEM

Plate 16

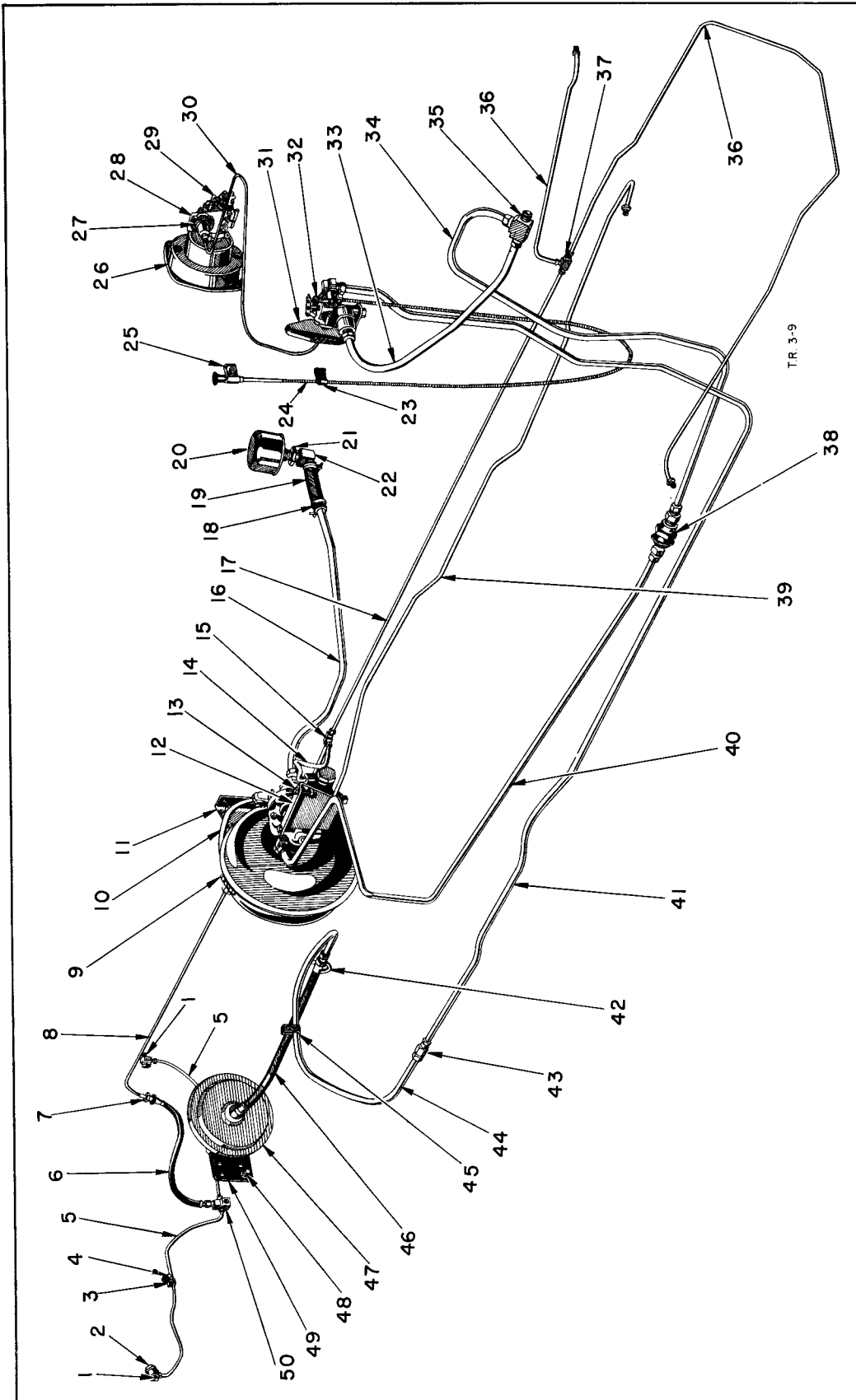
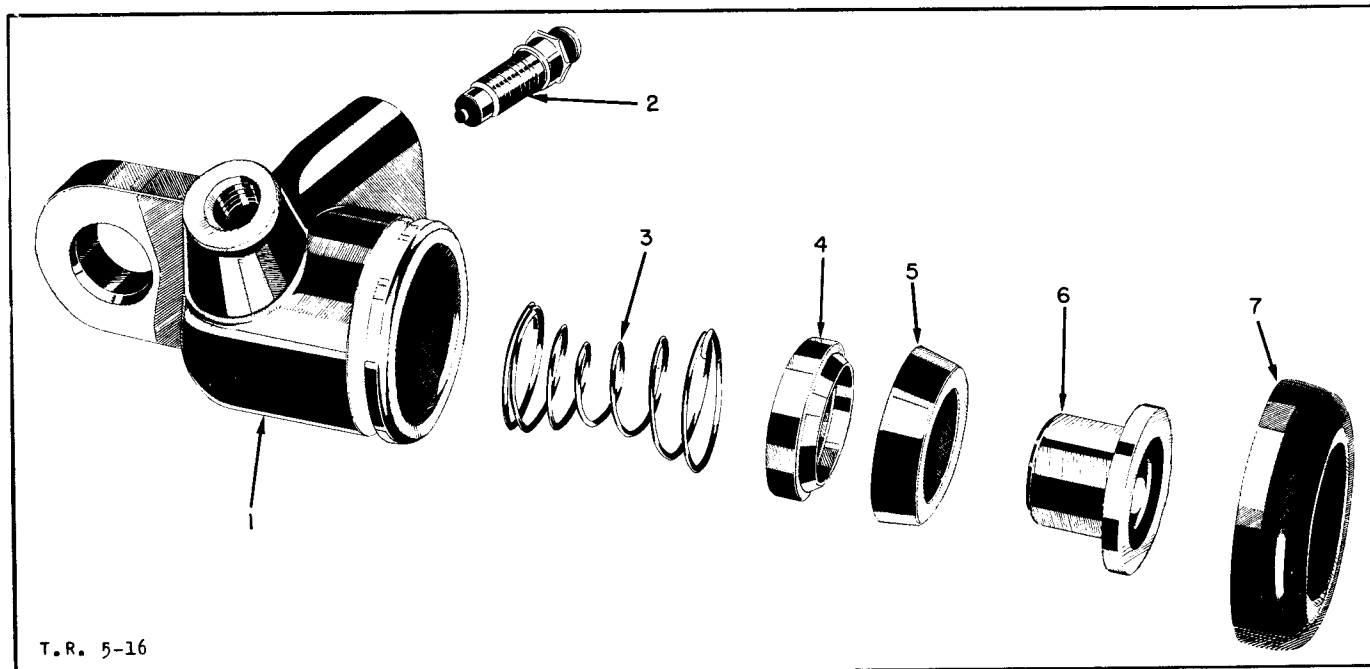


Plate 16 (Cont'd)

Ref. No.	Part Name	Group	Ref. No.	Part Name	Group
1	Wheel cyl. inlet connection.....	5-L	26	Speedometer assy.....	21-G
2	Inlet connection bolt.....	5-L	27	Speedometer adapter diaphragm.....	3-I
3	Brake tube clip.....	5-J	28	Diaphragm bracket.....	3-I
4	Clip bolt.....	5-J	29	Speedometer adapter.....	3-I
5	Axle brake tube.....	5-J	30	Adapter to valve tube.....	3-I
6	Axle brake hose.....	5-K	31	Axle shift valve bracket.....	3-I
7	Brake hose nut.....	5-K	32	Axle shift valve.....	3-I
8	Rear brake tube.....	5-J	33	Manifold to valve tube.....	3-I
9	Booster cylinder.....	5-M	34	Manifold to check valve tube.....	5-M
10	Vacuum valve to vacuum chamber tube.....	5-M	35	Manifold tee.....	5-M
11	Booster cylinder brkt. - rear.....	5-M	36	Front tee to front hose tube.....	5-J
12	Booster cylinder brkt. - front.....	5-M	37	Front tee.....	5-J
13	Booster cylinder brkt. bolt.....	5-M	38	Booster check valve.....	5-M
14	Rear tee to booster tube.....	5-M	39	Master cyl. to booster tube.....	5-J
15	Brake tube tee - rear.....	5-J	40	Check valve to cyl. tube.....	5-M
16	Air cleaner tube.....	5-M	41	Axle vacuum shift tube-frt.....	3-I
17	Front tee to rear tee tube.....	5-J	42	Vacuum shift hose clamp.....	3-I
18	Air cleaner hose clamp.....	5-M	43	Vacuum tube union.....	3-I
19	Air cleaner hose.....	5-M	44	Axle vacuum shift tube-rr.....	3-I
20	Air cleaner.....	5-M	45	Tube clip.....	3-I
21	Air cleaner nut.....	5-M	46	Vacuum shift hose.....	3-I
22	Air cleaner elbow.....	5-M	47	Vacuum shift diaphragm.....	3-I
23	Vacuum shift cable clip.....	3-I	48	Diaphragm bracket bolt.....	3-H
24	Vacuum shift cable clip.....	3-I	49	Diaphragm bracket.....	3-H
25	Vacuum shift cable bracket.....	3-I	50	Axle brake tube tee.....	5-J

WHEEL CYLINDER

Plate 17



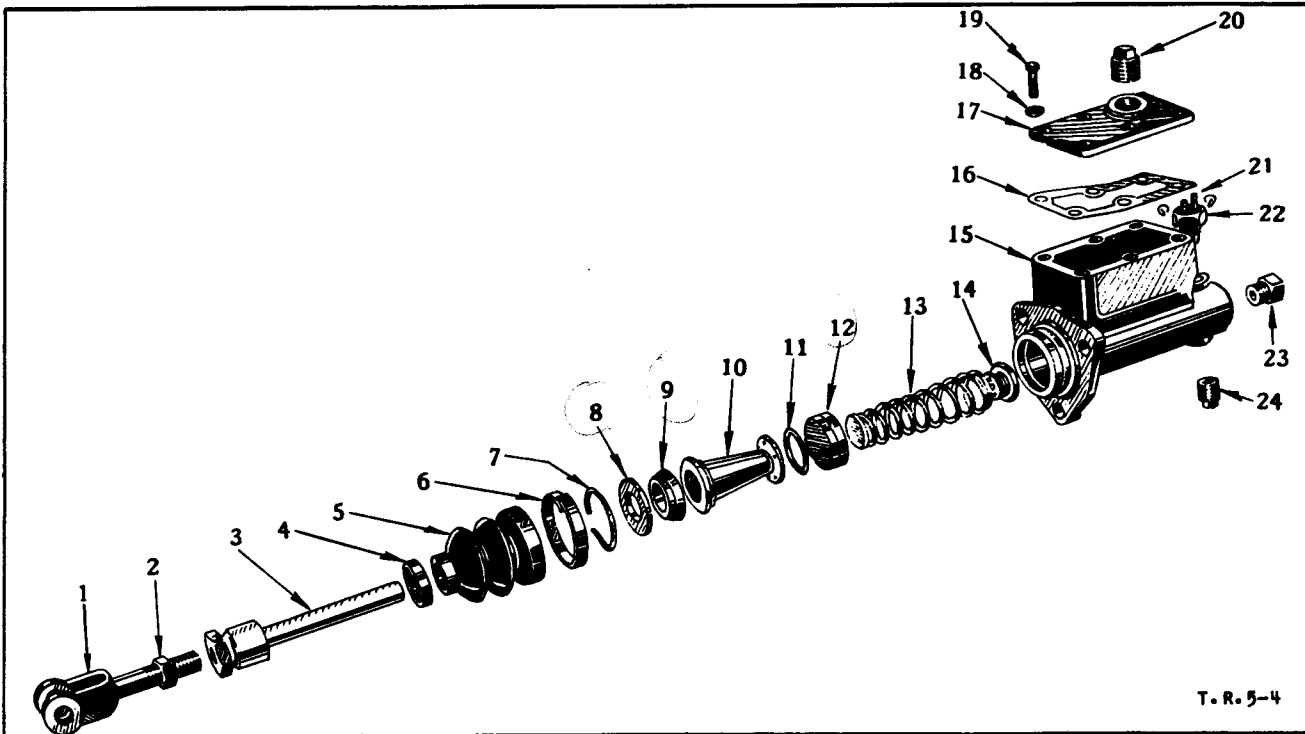
Ref. No.	Part Name	Group	Ref. No.	Part Name	Group
1	Cylinder body - service in assy.....	5-L	5	Piston cup.....	5-L
2	Bleeder screw.....	5-L	6	Piston.....	5-L
3	Piston cup spring.....	5-L	7	Boot.....	5-L
4	Piston cup expander.....	5-L			



GROUP 5 - SERVICE BRAKE

MASTER CYLINDER

Plate 18

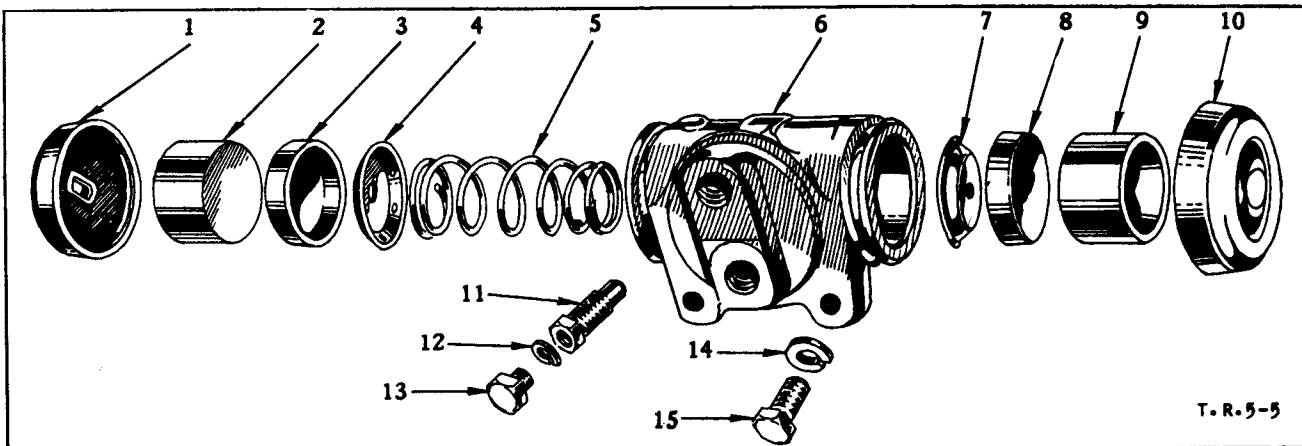


T. R. 5-4

Ref. No.	Part Name	Group	Ref. No.	Part Name	Group
1	Piston push rod end.....	5-1	13	Piston return spring.....	5-1
2	Piston push rod end check nut.....	5-1	14	Valve assembly.....	5-1
3	Piston push rod.....	5-1	15	Cyl. body - service in assy.....	5-1
4	Master cylinder strap - small.....	5-1	16	Master cylinder cover gasket.....	5-1
5	Master cylinder boot.....	5-1	17	Master cylinder cover.....	5-1
6	Master cylinder strap - large.....	5-1	18	Master cylinder cover screw gasket.....	5-1
7	Piston stop lock wire.....	5-1	19	Master cylinder cover screw.....	5-1
8	Piston stop.....	5-1	20	Master cylinder cover plug.....	5-1
9	Piston secondary cup.....	5-1	21	Signal light switch terminal screw.....	8-1
10	Piston.....	5-1	22	Signal light switch.....	8-1
11	Piston washer.....	5-1	23	Master cylinder outlet connection.....	5-1
12	Piston cup.....	5-1	24	Master cylinder body plug.....	5-1

WHEEL CYLINDER

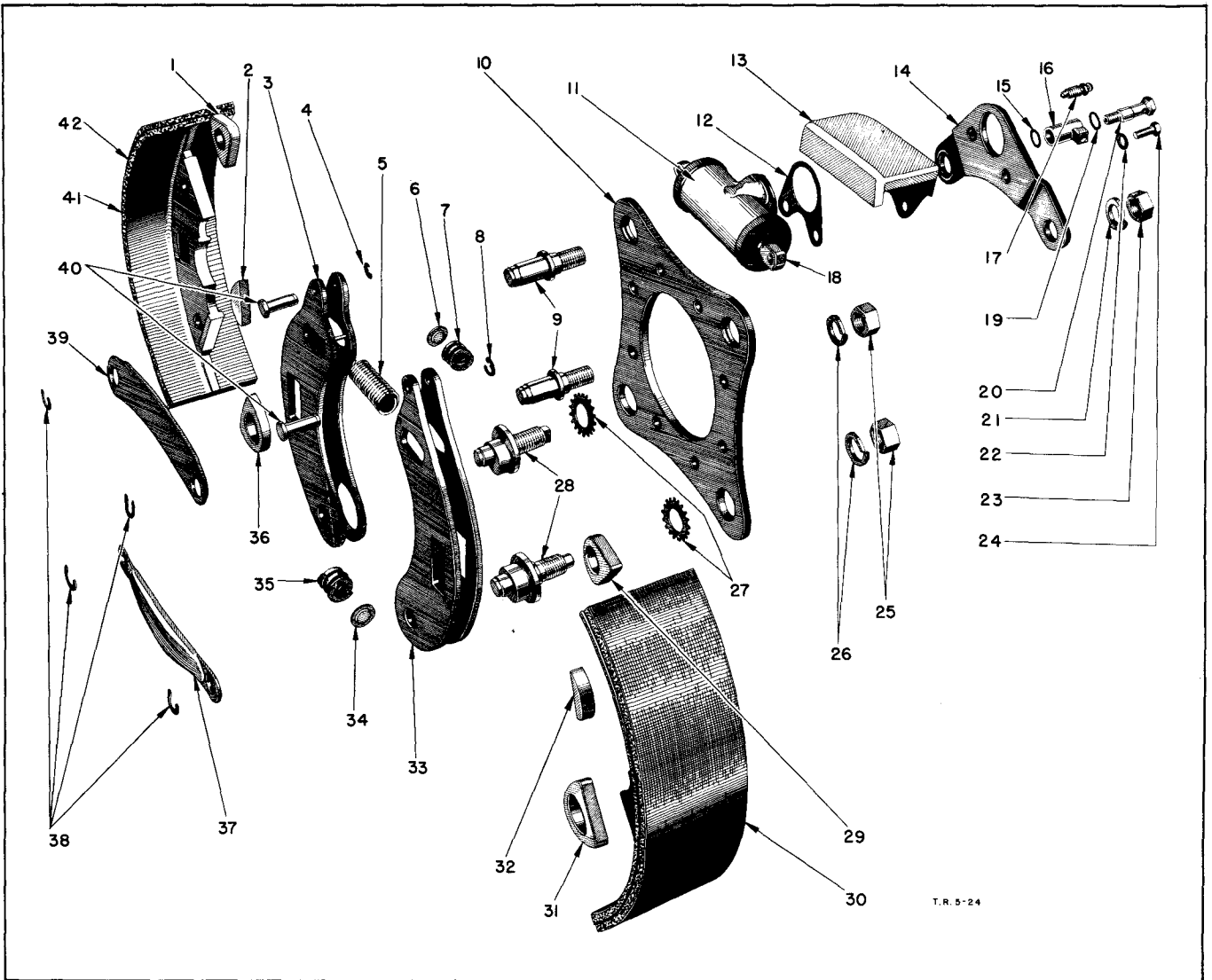
Plate 19



T. R. 5-5

Ref. No.	Part Name	Group	Ref. No.	Part Name	Group
1	Boot.....	5-L	9	Front piston - small.....	5-L
2	Rear piston - large.....	5-L	10	Boot.....	5-L
3	Rear piston cup - large.....	5-L	11	Bleeder screw.....	5-L
4	Rear piston cup expander - large.....	5-L	12	Bleeder screw cap screw lockwasher.....	5-L
5	Piston return spring.....	5-L	13	Bleeder screw cap screw.....	5-L
6	Body - service in assy.....	5-L	14	Wheel cylinder to brake support screw lockwasher.....	5-L
7	Front piston cup expander - small.....	5-L	15	Wheel cylinder to brake support screw.....	5-L
8	Front piston cup - small.....	5-L			

REAR WHEEL HYDRAULIC BRAKE



Ref. No.	Part Name	Group
1	Brake shoe anchor bracket.....	5-D
2	Brake shoe pressure plate.....	5-F
3	Brake shoe lever.....	5-F
4	Brake shoe push rod washer.....	
5	Brake shoe return spring.....	5-G
6	Brake shoe and lever spring retainer....	5-F
7	Brake shoe and lever spring.....	5-F
8	Brake shoe push rod washer.....	
9	Brake shoe anchor bolt.....	5-D
10	Brake support.....	5-C
11	Wheel cylinder.....	5-L
12	Wheel cylinder spacer.....	
13	Wheel cylinder cover.....	5-I
14	Brake support bracket.....	
15	Brake flexible hose gasket.....	5-K
16	Wheel cylinder inlet connection.....	5-L
17	Wheel cylinder bleeder screw.....	5-L
18	Brake shoe push rod.....	5-L
19	Wheel cylinder inlet connection gasket..	5-L
20	Wheel cylinder inlet connection bolt....	5-L
21	Brake shoe anchor bolt lockwasher.....	5-D

Ref. No.	Part Name	Group
22	Wheel cylinder bolt washer.....	
23	Brake shoe anchor bolt nut.....	5-D
24	Cylinder to brake support bolt.....	
25	Brake shoe anchor bolt nut.....	5-D
26	Brake shoe anchor bolt nut lockwasher...	5-D
27	Brake shoe anchor bolt nut lockwasher...	5-D
28	Brake shoe anchor bolt.....	5-D
29	Brake shoe anchor bracket.....	5-D
30	Brake shoe facing (Serviced in Package)..	5-B
31	Brake shoe anchor bracket.....	5-D
32	Brake shoe pressure plate.....	5-F
33	Brake shoe lever.....	5-F
34	Brake shoe and lever spring retainer....	5-F
35	Brake shoe and lever spring.....	5-F
36	Brake shoe anchor bracket.....	5-D
37	Brake shoe anchor bolt strap.....	
38	Brake shoe anchor bolt "C" washer.....	5-D
39	Brake shoe anchor bolt strap.....	
40	Brake shoe push rod pin.....	5-F
41	Brake shoe (Serv. shoe and lining).....	5-B
42	Brake shoe facing (Serviced in Package)..	5-B

T.R. 5-24

**GROUP 5 - SERVICE BRAKE**

PART NAME	PART NO.	MODEL CODES											
		DG AND FO					DH AND FP						
		1	2	3	4	5	6	1	2	4	5	6	7
<b>GROUP 5-A HYDRAULIC BRAKE SOLUTION</b>													
<b>Brake Solution - Imperial Measure</b>													
1 pint can - - - - -	1150955	*	*	*	*	*	*	*	*	*	*	*	*
1 quart can- - - - -	1150956	*	*	*	*	*	*	*	*	*	*	*	*
1 gallon can - - - - -	1150957	*	*	*	*	*	*	*	*	*	*	*	*
5 gallon can - - - - -	1150958	*	*	*	*	*	*	*	*	*	*	*	*
<b>GROUP 5-B BRAKE SHOE AND LINING</b>													
<p><b>Note "Y":</b> - Refers to parts used on hypoid and timken axle with round axle housing.</p> <p><b>Note "Z":</b> - Refers to parts used on timken axle with square axle housing.</p>													
<b>Shoe And Lining - Front Wheel</b>													
Assembly - - - - -	1263704	4	..	..	..	..	..	..	..	..	..	..	..
Assembly - - - - -	1104484	..	..	..	..	..	..	4	..	..	..	..	..
Assembly - - - - -	1263705	..	4	..	..	..	..	..	..	..	..	..	..
Assembly - - - - -	1104485	..	..	..	..	..	..	..	4	..	..	..	..
Assembly - - - - -	1195050	..	..	4	4	4	..	..	..	..	..	..	..
Assembly - - - - -	1105657	..	..	..	..	..	..	..	..	4	4	..	..
Assembly - - - - -	1261213	..	..	..	..	..	4	..	..	..	..	..	..
Assembly - - - - -	1105663	..	..	..	..	..	..	..	..	..	..	4	4
<b>Shoe And Lining - Rear Wheel</b>													
Assembly - - - - -	1126674	4	..	..	..	..	..	..	..	..	..	..	..
Assembly - - - - -	1104482	..	..	..	..	..	..	4	..	..	..	..	..
Assembly - - - - -	1263707	..	4	..	..	..	..	..	..	..	..	..	..
Assembly - - - - -	1501655	..	..	..	..	..	..	..	4	..	..	..	..
Assembly - - - - -	1190293	..	..	4	4	4	..	..	..	..	..	..	..
Assembly - - - - -	1501673	..	..	..	..	..	..	..	..	4	4	..	..
Assembly - Note "Y"-	1190293	..	..	..	..	..	4	..	..	..	..	..	..
Assembly - Note "Z"-	1105666	..	..	..	..	..	4	..	..	..	..	..	..
Assembly - - - - -	1501690	..	..	..	..	..	..	..	..	..	..	4	4
Push rod- - - - -	1140067	4	..	..	..	..	..	4	..	..	..	..	..
Plate washer - brake shoe hold down bolt	1501634	..	..	..	..	..	..	..	4	..	..	..	..
Plate washer - brake shoe hold down bolt	1501213	..	..	..	..	..	..	..	..	4	4	4	4
Nut- - - - -	125233	..	..	..	..	..	..	..	4	4	4	4	4
Cotter - - - - -	103373	..	..	..	..	..	..	..	4	4	4	4	4
<b>Front Wheel Shoe Lining</b>													
Lining - - - - -	1263701	4	..	..	..	..	..	..	..	..	..	..	..
Lining - - - - -	1263702	..	4	..	..	..	..	..	..	..	..	..	..
Lining - - - - -	1195049	..	..	4	4	4	..	..	..	..	..	..	..
Lining - - - - -	922714	..	..	..	..	..	4	..	..	..	..	..	..
Rivet - - - - -	76390	32	32	..	..	..	..	..	..	..	..	..	..
Rivet - - - - -	114518	..	..	64	64	64	72	..	..	..	..	..	..

Indicates amount used as required.

† Indicates parts included in packages.

**GROUP 5 - SERVICE BRAKE**

PART NAME	PART NO.	MODEL CODES													
		DG AND FO						DH AND FP							
		1	2	3	4	5	6	1	2	4	5	6	7		
<b>GROUP 5-B BRAKE SHOE AND LINING (CONT'D)</b>															
<b>Rear Wheel Shoe Lining</b>															
Lining - - - - -	1263703	4	..	..	..	..	..	..	..	..	..	..	..	..	
Lining - - - - -	1263700	..	4	..	..	..	..	..	..	..	..	..	..	..	
Lining - - - - -	1190299	..	..	4	4	4	..	..	..	..	..	..	..	..	
Lining - Note "Y"-	1190299	..	..	..	..	..	4	..	..	..	..	..	..	..	
Rivet - - - - -	76390	40	..	..	..	..	..	..	..	..	..	..	..	..	
Rivet - - - - -	114518	..	64	72	72	72	72	..	..	..	..	..	..	..	
<b>Rear Wheel Shoe Lining Package</b>															
Package - Note "Z" - - - - -	1104520	..	..	..	..	..	1	..	..	..	..	..	..	..	
<b>Brake Shoe Lining Package - Drilled</b>															
Package- - - - -	1103439	1	..	..	..	..	..	..	..	..	..	..	..	..	
Package- - - - -	1103440	..	1	..	..	..	..	..	..	..	..	..	..	..	
Package- - - - -	1103020	..	..	1	1	1	..	..	..	..	..	..	..	..	
Package - Note "Y" - - - - -	1103021	..	..	..	..	..	1	..	..	..	..	..	..	..	
Package - Note "Z" - - - - -	1103022	..	..	..	..	..	1	..	..	..	..	..	..	..	
<b>GROUP 5-C BRAKE SUPPORT</b>															
<b>Front Wheel Brake Support</b>															
Assembly - with adjustment pin - - - - -	574015	2	..	..	..	..	..	2	..	..	..	..	..	..	
Assembly - with adjustment pin - - - - -	1188210	..	2	..	..	..	..	..	2	..	..	..	..	..	
Assembly - with adjustment pin - - - - -	1194214	..	..	2	2	..	..	..	..	2	..	..	..	..	
Assembly - with adjustment pin - 192" W.B. Bus - - - - -	1196852	..	..	..	2	..	..	..	..	..	..	..	..	..	
Assembly - with adjustment pin - - - - -	1196852	..	..	..	..	2	..	..	..	..	..	2	..	..	
Assembly - with adjustment pin - - - - -	1194782	..	..	..	..	..	2	..	..	..	..	2	2	..	
Screw - support to knuckle- - - - -	123382	4	4	..	..	..	..	4	4	..	..	..	..	..	
Lockwasher - - - - -	120382	4	4	..	..	..	..	4	4	..	..	..	..	..	
Bolt - - - - -	1265123	..	..	8	8	..	..	..	..	8	8	..	..	..	
Nut - - - - -	126016	..	..	8	8	..	..	..	..	8	8	..	..	..	
Screw - 192" W.B. Bus - - - - -	123593	..	..	..	12	..	..	..	..	..	..	..	..	..	
Screw - - - - -	123593	..	..	..	..	8	12	..	..	..	..	8	12	12	
Lockwasher - 192" W.B. Bus - - - - -	120384	..	..	..	12	..	..	..	..	..	..	..	..	..	
Lockwasher - - - - -	120384	..	..	..	..	8	12	..	..	..	..	8	12	12	
Splash shield - - - - -	653503	2	2	..	..	..	..	2	2	..	..	..	..	..	
Rivet - splash shield- - - - -	104489	8	8	..	..	..	..	8	8	..	..	..	..	..	
<b>Rear Wheel Brake Support</b>															
Assembly - right - - - - -	1193570	1	..	..	..	..	..	1	..	..	..	..	..	..	
Assembly - left - - - - -	1193571	1	..	..	..	..	..	1	..	..	..	..	..	..	
Assembly - with adjustment pin - - - - -	1195104	..	2	..	..	..	..	..	..	..	..	..	..	..	
Assembly - - - - -	1501089	..	..	..	..	..	..	..	2	..	..	..	..	..	
Assembly - with adjustment pin - - - - -	1190288	..	..	2	2	2	..	..	..	..	..	..	..	..	
Assembly - - - - -	1500748	..	..	..	..	..	..	..	..	2	2	2	2	2	
Assembly - Note "Y" in 5-B - - - - -	1190289	..	..	..	..	..	2	..	..	..	..	..	..	..	
Assembly - Note "Z" in 5-B - - - - -	1191799	..	..	..	..	..	2	..	..	..	..	..	..	..	
Bolt - to axle- - - - -	854472	10	..	..	..	..	..	10	..	..	..	..	..	..	

Indicates amount used as required.

† Indicates parts included in packages.

**GROUP 5 - SERVICE BRAKE**

PART NAME	PART NO.	MODEL CODES											
		DG AND FO						DH AND FP					
		1	2	3	4	5	6	1	2	4	5	6	7
<b>GROUP 5-C BRAKE SUPPORT (CONT'D)</b>													
<b>Rear Wheel Brake Support (Cont'd)</b>													
Nut - - - - -	860671	10	..	..	..	..	..	10	..	..	..	..	..
Lockwasher - - - - -	120369	10	..	..	..	..	..	10	..	..	..	..	..
Rivet - support to housing- - - - -	916823	..	10	..	..	..	..	..	10	..	..	..	..
Rivet - to axle - - - - -	104131	..	..	12	12	12	12	..	..	12	12	12	12
Rivet - to axle - Note "Z" in 5-B - - - -	110437	..	..	..	..	..	24	..	..	..	..	..	..
<b>GROUP 5-D BRAKE SHOE ANCHOR</b>													
<b>Front Wheel Brake Shoe Anchor Parts</b>													
Bolt - long- - - - -	637766	2	..	..	..	..	..	2	..	..	..	..	..
Bolt - short - - - - -	637765	2	..	..	..	..	..	2	..	..	..	..	..
Bolt - long - - - - -	637540	..	2	..	..	..	..	..	2	..	..	..	..
Bolt - short - - - - -	637541	..	2	..	..	..	..	..	2	..	..	..	..
Bolt - - - - -	537899	..	..	4	4	4	..	..	..	4	4	..	..
Bolt - - - - -	571434	..	..	..	..	..	4	..	..	..	..	4	4
Spacer- - - - -	621877	4	..	..	..	..	..	4	..	..	..	..	..
Spacer- - - - -	622121	..	4	..	..	..	..	..	4	..	..	..	..
Washer - "C" type- - - - -	619317	4	..	..	..	..	..	4	..	..	..	..	..
Washer - "E" Type- - - - -	1263083	..	4	..	..	..	..	..	4	..	..	..	..
Washer - "C" Type- - - - -	77607	..	..	4	4	4	..	..	..	4	4	..	..
Washer - "C" Type- - - - -	536244	..	..	..	..	..	4	..	..	..	..	4	4
Nut- - - - -	125250	4	..	..	..	..	..	4	..	..	..	..	..
Nut- - - - -	128025	..	4	..	..	..	..	..	4	..	..	..	..
Nut- - - - -	121358	..	..	4	4	4	..	..	..	4	4	..	..
Nut- - - - -	124645	..	..	..	..	..	4	..	..	..	..	4	4
Lockwasher - - - - -	120384	4	..	..	..	..	..	4	..	..	..	..	..
Lockwasher - - - - -	120898	..	4	..	..	..	..	..	4	..	..	..	..
Lockwasher - - - - -	121574	..	..	4	4	4	..	..	..	4	4	..	..
Lockwasher - - - - -	131046	..	..	..	..	..	4	..	..	..	..	4	4
Cotter - - - - -	108636	4	..	..	..	..	..	4	..	..	..	..	..
Cotter - - - - -	119209	..	4	..	..	..	..	..	4	..	..	..	..
Oil washer - - - - -	619308	4	4	..	..	..	..	4	4	..	..	..	..
Oil washer - - - - -	314279	..	..	4	4	4	..	..	..	4	4	..	..
Oil washer - - - - -	536237	..	..	..	..	..	4	..	..	..	..	4	4
Retainer- - - - -	619309	4	..	..	..	..	..	4	..	..	..	..	..
Retainer- - - - -	578967	..	4	..	..	..	..	..	4	..	..	..	..
Retainer- - - - -	314278	..	..	4	4	4	..	..	..	4	4	..	..
Retainer- - - - -	536238	..	..	..	..	..	4	..	..	..	..	4	4
<b>Rear Wheel Brake Shoe Anchor Parts</b>													
Bolt - - - - -	1193580	4	..	..	..	..	..	4	..	..	..	..	..
Bolt - - - - -	537899	..	4	..	..	..	..	..	4	..	..	..	..
Bolt - - - - -	571434	..	..	4	4	4	..	..	..	4	4	..	..
Bolt - Note "Y" in 5-B - - - - -	571434	..	..	..	..	..	4	..	..	..	..	4	4
Bolt - Note "Z" in 5-B - - - - -	1191817	..	..	..	..	..	4	..	..	..	..	..	..
Nut - - - - -	124634	4	..	..	..	..	..	4	..	..	..	..	..
Nut - - - - -	121358	..	4	..	..	..	..	..	4	..	..	..	..
Nut - - - - -	124645	..	..	4	4	4	..	..	..	4	4	..	..
Nut - Note "Y" in 5-B - - - - -	124645	..	..	..	..	..	4	..	..	..	..	4	4
Nut - Note "Z" in 5-B - - - - -	124651	..	..	..	..	..	4	..	..	..	..	..	..
Lockwasher - - - - -	120898	4	..	..	..	..	..	4	..	..	..	..	..
Lockwasher - - - - -	121574	..	4	..	..	..	..	..	4	..	..	..	..
Lockwasher - - - - -	131046	..	..	4	4	4	..	..	..	4	4	..	..
Lockwasher - Note "Y" in 5-B - - - - -	131046	..	..	..	..	..	4	..	..	..	..	4	4

Indicates amount used as required.

† Indicates parts included in packages.

**GROUP 5 - SERVICE BRAKE**

PART NAME	PART NO.	MODEL CODES											
		DG AND FO					DH AND FP						
		1	2	3	4	5	6	1	2	4	5	6	7
<b>GROUP 5-D BRAKE SHOE ANCHOR (CONT'D)</b>													
<b>Rear Wheel Brake Shoe Anchor Parts (Cont'd)</b>													
Lockwasher - small - Note "Z" in 5-B	1191818	..	..	..	..	..	4	..	..	..	..	..	..
Lockwasher - large - Note "Y" in 5-B	1191819	..	..	..	..	..	4	..	..	..	..	..	..
Washer - "E" type - - - - -	1263083	4	..	..	..	..	..	4	..	..	..	..	..
Washer - "C" type - - - - -	77607	..	4	..	..	..	..	..	4	..	..	..	..
Washer - "C" type - - - - -	536244	..	..	4	4	4	..	..	..	4	4	..	..
Washer - Note "Y" in 5-B - - - - -	536244	..	..	..	..	..	4	..	..	..	..	4	4
Washer - "E" type - Note "Z" in 5-B-	308246	..	..	..	..	..	4	..	..	..	..	..	..
Plainwasher - Note "Z" in 5-B- - - -	1191820	..	..	..	..	..	4	..	..	..	..	..	..
Oil washer - - - - -	619308	4	..	..	..	..	..	4	..	..	..	..	..
Oil washer - - - - -	314279	..	4	..	..	..	..	..	4	..	..	..	..
Oil washer - - - - -	536237	..	..	4	4	4	4	..	..	4	4	4	4
Retainer- - - - -	578967	4	..	..	..	..	..	4	..	..	..	..	..
Retainer- - - - -	314278	..	4	..	..	..	..	..	4	..	..	..	..
Retainer- - - - -	536238	..	..	4	4	4	4	..	..	4	4	4	4
Bracket - lower - Note "Z" in 5-B - - -	1191823	..	..	..	..	..	4	..	..	..	..	..	..
Bracket - upper - Note "Z" in 5-B - - -	1191822	..	..	..	..	..	4	..	..	..	..	..	..
Washer - anchor pin - Note "Z" in 5-B -	1191820	..	..	..	..	..	4	..	..	..	..	..	..
Washer "E" type - anchor pin - Note "Z" in 5-B - - - - -	308246	..	..	..	..	..	4	..	..	..	..	..	..
<b>GROUP 5-E BRAKE SHOE ADJUSTING PARTS</b>													
<b>Front Wheel Brake Shoe Adjusting Parts</b>													
Pin- - - - -	619318	4	4	..	..	..	..	4	4	..	..	..	..
Pin- - - - -	1092517	..	..	4	4	4	4	..	..	4	4	4	4
Cam- - - - -	392695	4	4	..	..	..	..	4	4	..	..	..	..
Cam- - - - -	1262832	..	..	4	4	4	..	..	..	4	4	..	..
Cam- - - - -	1262841	..	..	..	..	..	4	..	..	..	..	4	4
Washer- - - - -	120396	..	..	4	4	4	4	..	..	4	4	4	4
Spring- - - - -	619319	4	4	..	..	..	..	4	4	..	..	..	..
Spring- - - - -	1092518	..	..	4	4	4	4	..	..	4	4	4	4
<b>Rear Wheel Brake Shoe Adjusting Parts - (Except Timken Axle Note "Z" In 5-B)</b>													
Pin- - - - -	1261736	4	..	..	..	..	..	4	..	..	..	..	..
Pin- - - - -	1092517	..	4	4	4	4	4	..	4	4	4	4	4
Cam- - - - -	1117797	4	..	..	..	..	..	4	..	..	..	..	..
Cam- - - - -	1262832	..	4	..	..	..	..	..	4	..	..	..	..
Cam- - - - -	1262841	..	..	4	4	4	4	..	..	4	4	4	4
Washer- - - - -	120396	..	4	4	4	4	4	..	4	4	4	4	4
Spring- - - - -	619319	4	..	..	..	..	..	4	..	..	..	..	..
Spring- - - - -	1092518	..	4	4	4	4	4	..	4	4	4	4	4
Bolt - - - - -	1500750	..	..	..	..	..	..	..	4	4	4	4	4
<b>GROUP 5-F BRAKE SHOE GUIDE PARTS</b>													
<b>Front Wheel Brake Shoe Guide Parts</b>													
Spring - - - - -	600071	4	4	..	..	..	..	4	4	..	..	..	..
Spring - - - - -	1122374	..	..	4	4	4	..	..	..	4	4	..	..
Spring - - - - -	1193946	..	..	..	..	..	4	..	..	..	..	4	4

Indicates amount used as required.

† Indicates parts included in packages.

**GROUP 5 - SERVICE BRAKE**

PART NAME	PART NO.	MODEL CODES											
		DG AND FO					DH AND FP						
		1	2	3	4	5	6	1	2	4	5	6	7
<b>GROUP 5-F BRAKE SHOE GUIDE PARTS (CONT'D)</b>													
<b>Front Wheel Brake Shoe Guide Parts (Cont'd)</b>													
Rod - - - - -	622119	4	4	..	..	..	..	4	4	..	..	..	..
Retainer - - - - -	600072	4	4	..	..	..	..	4	4	..	..	..	..
Rivet - - - - -	104068	..	..	8	8	8	8	..	..	8	8	8	8
<b>Rear Wheel Brake Shoe Guide Parts - (Except Timken Axle Note "Z" In 5-B)</b>													
Spring - - - - -	1122374	4	4	..	..	..	..	4	4	..	..	..	..
Spring - - - - -	600071	..	..	4	4	4	4	..	..	4	4	4	4
Rivet - - - - -	104068	8	8	..	..	..	..	8	8	..	..	..	..
Retainer - - - - -	600072	..	..	4	4	4	4	..	..	4	4	4	4
Rod - - - - -	571436	..	..	4	4	4	4	..	..	4	4	4	4
Guide - - - - -	571435	..	..	4	4	4	4	..	..	4	4	4	4
Rivet - - - - -	110791	..	..	8	8	8	8	..	..	8	8	8	8
<b>Rear Brake Shoe Lever</b>													
Assembly - left - front - - - - -	1501096	..	..	..	..	..	..	..	1	..	..	..	..
Assembly - left - rear - - - - -	1501097	..	..	..	..	..	..	..	1	..	..	..	..
Assembly - right - front - - - - -	1501097	..	..	..	..	..	..	..	1	..	..	..	..
Assembly - right - rear - - - - -	1501096	..	..	..	..	..	..	..	1	..	..	..	..
Assembly - left - front - - - - -	1500759	..	..	..	..	..	..	..	..	1	1	1	1
Assembly - left - rear - - - - -	1500758	..	..	..	..	..	..	..	..	1	1	1	1
Assembly - right - front - - - - -	1500758	..	..	..	..	..	..	..	..	1	1	1	1
Assembly - right - rear - - - - -	1500759	..	..	..	..	..	..	..	..	1	1	1	1
Assembly - right - front - Note "Z" in 5-B	1191805	..	..	..	..	..	1	..	..	..	..	..	..
Assembly - right - rear - Note "Z" in 5-B	1191807	..	..	..	..	..	1	..	..	..	..	..	..
Assembly - left - front - Note "Z" in 5-B	1191807	..	..	..	..	..	1	..	..	..	..	..	..
Assembly - left - rear - Note "Z" in 5-B	1191805	..	..	..	..	..	1	..	..	..	..	..	..
Pin - lever push rod - - - - -	112111	..	..	..	..	..	4	..	..	..	..	..	..
Spacer - - - - -	1191812	..	..	..	..	..	4	..	..	..	..	..	..
Spring - shoe and lever - - - - -	1191825	..	..	..	..	..	4	..	..	..	..	..	..
Pin - return spring - - - - -	110995	..	..	..	..	..	4	..	..	..	..	..	..
Retainer - - - - -	1191826	..	..	..	..	..	4	..	..	..	..	..	..
Pressure plate - - - - -	1191824	..	..	..	..	..	4	..	..	..	..	..	..
<b>GROUP 5-G BRAKE SHOE RETURN SPRING</b>													
<b>Brake Shoe Return Spring</b>													
Spring - - - - -	301477	6	..	..	..	..	..	6	..	..	..	..	..
Spring - front wheel - - - - -	677446	..	2	..	..	..	..	..	2	..	..	..	..
Spring - front wheel - - - - -	303615	..	..	2	2	2	..	..	..	2	2	..	..
Spring - front wheel - - - - -	1261189	..	..	..	..	..	2	..	..	..	..	2	2
Spring - rear wheel - - - - -	303615	..	2	..	..	..	..	..	..	..	..	..	..
Spring - rear wheel - - - - -	1261189	..	..	2	2	2	..	..	..	..	..	..	..
Spring - rear wheel - Note "Y" in 5-B - - -	1261189	..	..	..	..	..	2	..	..	..	..	..	..
Spring - rear wheel - Note "Z" in 5-B - - -	1191827	..	..	..	..	..	2	..	..	..	..	..	..
Spring - rear wheel - - - - -	1500760	..	..	..	..	..	..	..	8	8	8	8	8

Indicates amount used as required.

† Indicates parts included in packages.

GROUP 5 - SERVICE BRAKE

PART NAME	PART NO.	MODEL CODES											
		DG AND FO					DH AND FP						
		1	2	3	4	5	6	1	2	4	5	6	7
<b>GROUP 5-H BRAKE PEDAL</b>													
<b>Brake Pedal</b>													
Assembly - L.H.D. - less fluid drive - - -	1262890	1	1	..	..	..	..	1	1	..	..	..	..
Assembly - L.H.D. - with fluid drive - - -	1267497	1	1	..	..	..	..	..	..	..	..	..	..
Assembly - L.H.D.- - - - - - - - - - - - -	1274170	..	..	1	1	1	1	..	..	..	..	..	..
Assembly - R.H.D.- - - - - - - - - - - - -	1264430	1	1	..	..	..	..	1	1	..	..	..	..
Assembly - R.H.D.- - - - - - - - - - - - -	1265363	..	..	1	1	1	1	..	..	1	1	1	1
Bushing - L.H.D. - less fluid drive - - -	923625	1	1	1	1	1	1	1	1	1	1	1	1
Bushing - L.H.D. - with fluid drive - - -	385386	1	1	..	..	..	..	..	..	..	..	..	..
Bushing - R.H.D.- - - - - - - - - - - - -	580902	1	1	1	1	1	1	1	1	1	1	1	1
Spacer- - - - - - - - - - - - - - - - - -	589514	1	..	..	..	..	..	1	..	..	..	..	..
Nipple - grease - L.H.D. - less fluid drive- - - - - - - - - - - - -	145433	1	1	1	1	1	1	1	1	1	1	1	1
Nipple - grease - L.H.D. - with fluid drive- - - - - - - - - - - - -	1145434	1	1	..	..	..	..	..	..	..	..	..	..
Nipple - grease - R.H.D.- - - - - - - - - - - - -	145436	1	1	1	1	1	1	1	1	1	1	1	1
Stop screw - R.H.D. - - - - - - - - - - - - -	102898	1	1	1	1	1	1	1	1	1	1	1	1
Nut- -	120377	1	1	1	1	1	1	1	1	1	1	1	1
Pad draft - - - - - - - - - - - - - - - - - -	344112	1	1	1	1	1	1	1	1	1	1	1	1
Pad -	1272605	1	1	1	1	1	1	1	1	1	1	1	1
<b>Brake Pedal Reinforcement Bracket</b>													
Bracket - L.H.D. - - - - - - - - - - - - - - -	567997	..	1	1	1	1	1	..	1	1	1	1	1
Screw -	120233	..	2	2	2	2	2	..	2	2	2	2	2
Lockwasher - - - - - - - - - - - - - - - - -	120382	..	2	2	2	2	2	..	2	2	2	2	2
<b>Brake Pedal Return Spring</b>													
Spring - L.H.D.- - - - - - - - - - - - - - -	563753	1	1	1	1	1	1	1	1	1	1	1	1
Spring - R.H.D.- - - - - - - - - - - - - - -	76321	1	1	1	1	1	1	1	1	1	1	1	1
Bracket - - - - - - - - - - - - - - - - - - -	561351	1	..	..	..	..	..	1	..	..	..	..	..
Screw- - - - - - - - - - - - - - - - - - - -	122119	2	..	..	..	..	..	2	..	..	..	..	..
Lockwasher - - - - - - - - - - - - - - - - -	120382	2	..	..	..	..	..	2	..	..	..	..	..
<b>Brake Pedal Shaft</b>													
Shaft - R.H.D. - - - - - - - - - - - - - - -	1196245	1	1	1	1	1	1	1	1	1	1	1	1
Pin -	112036	1	1	1	1	1	1	1	1	1	1	1	1
<b>GROUP 5-I MASTER CYLINDER</b>													
<b>Master Cylinder</b>													
Assembly - less booster - DG4/FO4- - - - -	1191397	1	1	1	1	..	..	1	1	..	..	..	..
Assembly - with booster- DG4/FO4 - - - - -	696383	..	..	..	1	1	1	..	..	1	1	1	1
Screw - fastening - - - - - - - - - - - - -	120233	3	3	3	3	3	3	3	3	3	3	3	3
Lockwasher- - - - - - - - - - - - - - - - -	138489	3	3	3	3	3	3	3	3	3	3	3	3
Plug -	103867	1	1	..	..	..	..	1	1	..	..	..	..
Plug -	143933	..	..	1	1	1	1	..	..	1	1	1	1
Bracket - cylinder and brake pedal - R.H.D.	1196044	1	1	..	..	..	..	1	1	..	..	..	..
Bracket - cylinder and brake pedal - R.H.D.	1196045	..	..	1	1	1	1	..	..	1	1	1	1
Bolt - to frame - long- - - - - - - - - - -	120677	1	1	1	1	1	1	1	1	1	1	1	1
Bolt - to frame - short - - - - - - - - - - -	122145	4	4	..	..	..	..	4	4	..	..	..	..
Bolt - to frame - long- - - - - - - - - - -	122145	..	..	2	2	2	2	..	..	2	2	2	2

Indicates amount used as required.

† Indicates parts included in packages.



**GROUP 5 - SERVICE BRAKE**

PART NAME	PART NO.	MODEL CODES											
		DG AND FO					DH AND FP						
		1	2	3	4	5	6	1	2	4	5	6	7
<b>GROUP 5-I MASTER CYLINDER (CONT'D)</b>													
<b>Master Cylinder (Cont'd)</b>													
Nut - - - - -	120369	1	1	1	1	1	1	1	1	1	1	1	1
Lockwasher - - - - -	120382	5	5	5	5	5	5	5	5	5	5	5	5
Plug assembly-with baffle less booster DG4/FO4	1191400	1	1	1	1	..	..	1	1	..	..	..	..
Gasket - - - - -	1191402	1	1	1	1	..	..	1	1	..	..	..	..
Plug - core hole - - - - -	103894	1	1	1	1	..	..	1	1	..	..	..	..
Cover - with booster- DG4/FO4 - - - - -	1191880	..	..	..	1	1	1	..	..	1	1	1	1
Gasket - cover - - - - -	622865	..	..	..	1	1	1	..	..	1	1	1	1
Screw - - - - -	121900	..	..	..	6	6	6	..	..	6	6	6	6
Gasket - screw - - - - -	51019	..	..	..	6	6	6	..	..	6	6	6	6
Plug assembly-with baffle-with booster DG4/FO4	620342	..	..	..	1	1	1	..	..	1	1	1	1
Boot - less booster DG4/FO4 - - - - -	† 79373	1	1	1	1	..	..	1	1	..	..	..	..
Boot - with booster- DG4/FO4 - - - - -	† 571861	..	..	..	1	1	1	..	..	1	1	1	1
Strap - small - - - - -	† 79363	1	1	1	1	1	1	1	1	1	1	1	1
Strap - large - less booster - DG4/FO4 -	† 79361	1	1	1	1	..	..	1	1	..	..	..	..
Strap - large - with booster- DG4/FO4 -	† 571862	..	..	..	1	1	1	..	..	1	1	1	1
<b>Master Cylinder Internal Parts</b>													
Piston - less booster - DG4/FO4 - - - - -	† 665541	1	1	1	1	..	..	1	1	..	..	..	..
Piston - with booster- DG4/FO4 - - - - -	† 580254	..	..	..	1	1	1	..	..	1	1	1	1
Cup - less booster - DG4/FO4 - - - - -	† 77043	1	1	1	1	..	..	1	1	..	..	..	..
Cup - with booster- -DG4/FO4- - - - -	† 537257	..	..	..	1	1	1	..	..	1	1	1	1
Return spring assembly-less booster DG4/FO4	79374	1	1	1	1	..	..	1	1	..	..	..	..
Return spring assembly-with booster DG4/FO4	521822	..	..	..	1	1	1	..	..	1	1	1	1
Washer - less booster - DG4/FO4 - - - - -	† 616359	1	1	1	1	..	..	1	1	..	..	..	..
Washer - with booster -DG4/FO4- - - - -	† 571854	..	..	..	1	1	1	..	..	1	1	1	1
Cup - secondary - less booster - DG4/FO4	† 316851	1	1	1	1	..	..	1	1	..	..	..	..
Cup - secondary - with booster- DG4/FO4	† 521814	..	..	..	1	1	1	..	..	1	1	1	1
Stop - less booster - DG4/FO4 - - - - -	79364	1	1	1	1	..	..	1	1	..	..	..	..
Stop - with booster -DG4/FO4- - - - -	571855	..	..	..	1	1	1	..	..	1	1	1	1
Lockwire - less booster - DG4/FO4 - - -	79376	1	1	1	1	..	..	1	1	..	..	..	..
Lockwire - with booster- DG4/FO4 - - -	571856	..	..	..	1	1	1	..	..	1	1	1	1
Valve - less booster - DG4/FO4 - - - - -	645930	1	1	1	1	..	..	1	1	..	..	..	..
Valve - with booster- DG4/FO4 - - - - -	521825	..	..	..	1	1	1	..	..	1	1	1	1
<b>Master Cylinder Push Rod</b>													
Assembly - less booster - DG4/FO4 - - - - -	79372	1	1	1	1	..	..	1	1	..	..	..	..
Assembly - with booster- DG4/FO4 - - - - -	571857	..	..	..	1	1	1	..	..	1	1	1	1
End assembly-less booster - DG4/FO4 - - -	1193928	1	1	1	1	..	..	1	1	..	..	..	..
End assembly - with booster - DG4/FO4 - -	1194479	..	..	..	1	1	1	..	..	1	1	1	1
Pin- - - - -	657929	1	1	1	1	..	..	1	1	1	1	1	1
Nut - less booster - DG4/FO4 - - - - -	120370	..	..	..	1	1	1	..	..	..	1	1	1
Nut - with booster -DG4/FO4- - - - -	120371	1	1	1	1	..	..	1	1	1	..	..	..
Cotter-- - - - - -	108630	..	..	..	1	1	1	..	..	1	1	1	1
<b>Master Cylinder Connections</b>													
Elbow- - - - -	1263882	1	1	..	..	..	..	1	1	..	..	..	..
Outlet elbow - - - - -	912506	..	..	1	1	1	1	..	..	1	1	1	1
Outlet tee - R.H.D.- - - - -	610769	1	1	..	..	..	..	1	1	..	..	..	..

Indicates amount used as required.

† Indicates parts included in packages.

**GROUP 5 - SERVICE BRAKE**

PART NAME	PART NO.	MODEL CODES													
		DG AND FO						DH AND FP							
		1	2	3	4	5	6	1	2	4	5	6	7		
<b>GROUP 5-I MASTER CYLINDER (CONT'D)</b>															
<b>Master Cylinder Repair Package</b>															
Package - less piston -less booster - DG4/FO4	939796	1	1	1	1	..	..	1	1	..	..	..	..		
Package - less piston - with booster- DG4/FO4	939798	..	..	..	1	1	1	..	..	1	1	1	1		
Package - with piston -less booster - DG4/FO4	1057844	1	1	1	1	..	..	1	1	..	..	..	..		
Package - with piston - with booster- DG4/FO4	947600	..	..	..	1	1	1	..	..	1	1	1	1		
<b>GROUP 5-J BRAKE TUBES</b>															
<b>Rear Axle Brake Tube</b>															
Assembly - right - - - - -	861619	1	..	..	..	..	..	1	..	..	..	..	..		
Assembly - left - - - - -	861608	1	..	..	..	..	..	1	..	..	..	..	..		
Assembly - right- - - - -	861620	..	1	..	..	..	..	..	1	..	..	..	..		
Assembly - left - - - - -	861609	..	1	..	..	..	..	..	1	..	..	..	..		
Assembly - right - Note "Y" in 5-B-	861620	..	..	1	1	1	1	..	..	1	1	1	1		
Assembly - left - hypoid axle only-	861606	..	..	1	1	..	..	..	..	1	..	..	..		
Assembly - left - Note "Y" in S-B -	861608	..	..	..	1	1	1	..	..	1	1	1	1		
Assembly - right - Note "Z" in S-B-	861621	..	..	..	..	..	1	..	..	..	..	..	..		
Assembly - left - - - - -	861610	..	..	..	..	..	1	..	..	..	..	..	..		
Assembly - right- - - - -	861621	..	..	..	..	..	..	..	..	..	..	..	1		
Assembly - left - - - - -	861609	..	..	..	..	..	..	..	..	..	..	..	1		
Tee - - - - -	660367	1	1	..	..	..	..	1	1	..	..	..	..		
Tee - - - - -	925524	..	..	1	1	1	1	..	..	1	1	1	1		
Screw - - - - -	579719	..	..	1	1	1	1	..	..	1	1	1	1		
Screw - Note "Z" in 5-B - - - - -	120677	..	..	..	..	..	1	..	..	..	..	..	1		
Lockwasher- - - - -	120382	..	..	1	1	1	1	..	..	1	1	1	1		
Nut - union- - - - -	137397	4	4	4	4	4	4	4	4	4	4	4	4		
Clip - - - - -	684158	..	3	..	..	..	..	..	3	..	..	..	..		
Screw - - - - -	929054	..	3	..	..	..	..	..	3	..	..	..	..		
Lockwasher- - - - -	120380	..	3	..	..	..	..	..	3	..	..	..	..		
Clip - - - - -	1263079	..	..	1	1	1	1	..	..	1	1	1	1		
Screw - to housing- - - - -	121852	..	..	1	1	1	1	..	..	1	1	1	1		
Lockwasher- - - - -	120382	..	..	1	1	1	1	..	..	1	1	1	1		
Clip - (screw hole 3/8" dia.) - Note "Z" in 5-B- - - - -	1263079	..	..	..	..	..	2	..	..	..	..	..	..		
Clip - - - - -	313808	..	..	..	..	..	..	..	..	..	..	..	1		
Screw - 3/8" - 24 x 1/2"- - - - -	123382	..	..	..	..	..	1	..	..	..	..	..	1		
Lockwasher - 3/8" I.D.- - - - -	120382	..	..	..	..	..	1	..	..	..	..	..	..		
<b>Brake Tube Tee</b>															
Tee - L.H.D.- - - - -	1268559	1	1	1	..	..	..	1	1	..	..	..	..		
Tee - also 192" W.B. Bus less booster-DG4/FO4	1195205	..	..	..	1	..	..	..	..	..	..	..	..		
Bolt - to frame- - - - -	120741	1	1	1	1	..	..	1	1	1	..	..	..		
Nut - - - - -	120368	1	1	1	1	..	..	1	1	1	..	..	..		
Lockwasher- - - - -	120214	1	1	1	1	..	..	1	1	1	..	..	..		
Tee - front - with booster- DG4/FO4	127927	..	..	..	1	1	1	..	..	1	1	1	1		
Tee - rear - with booster - DG4/FO4	1192546	..	..	..	1	1	1	..	..	1	1	1	1		
Tee - master cylinder outlet - R.H.D. - - -	610769	1	1	..	..	..	..	1	1	..	..	..	..		
Tee - R.H.D.- - - - -	127927	1	1	..	..	..	..	1	1	..	..	..	..		
<b>Brake Tube Bracket</b>															
Bracket - rear - tube and hose union - - -	590349	1	1	..	..	..	..	1	1	..	..	..	..		
Bolt - to frame- - - - -	120741	1	1	..	..	..	..	1	1	..	..	..	..		
Nut - - - - -	120368	1	1	..	..	..	..	1	1	..	..	..	..		
Lockwasher- - - - -	1120214	1	1	..	..	..	..	1	1	..	..	..	..		

Indicates amount used as required.

† Indicates parts included in packages.

**GROUP 5 - SERVICE BRAKE**

PART NAME	PART NO.	MODEL CODES											
		DG AND FO					DH AND FP						
		1	2	3	4	5	6	1	2	4	5	6	7
<b>GROUP 5-J BRAKE TUBES (CONT'D)</b>													
<b>Master Cylinder To Frame Tee Tube</b>													
Assembly - L.H.D.- - - - -	1263881	1	1	..	..	..	..	1	1	..	..	..	..
Assembly - L.H.D.- - - - -	861838	..	..	1	1	..	..	..	..	1	..	..	..
Assembly - R.H.D.- - - - -	1270028	1	1	..	..	..	..	..	..	..	..	..	..
Assembly - R.H.D.- - - - -	861624	..	..	..	..	..	..	1	1	..	..	..	..
Assembly - R.H.D.- - - - -	1196053	..	..	1	1	..	..	..	..	1	..	..	..
Nut - L.H.D.- - - - -	137398	2	2	2	2	..	..	2	2	2	..	..	..
Nut - R.H.D.- - - - -	137397	2	2	2	2	..	..	2	2	2	..	..	..
<b>Master Cylinder To Booster Tube</b>													
Assembly - L.H.D.- - - - -	861852	..	..	..	1	1	1	..	..	1	1	1	1
Assembly - R.H.D. - front-	861844	..	..	..	1	1	1	..	..	1	1	1	..
Assembly - R.H.D. - rear	861852	..	..	..	1	1	1	..	..	1	1	1	..
Nut - tube- - - - -	137398	..	..	..	*	*	*	..	..	*	*	*	*
Elbow - to booster cylinder	116341	..	..	..	1	1	1	..	..	1	1	1	1
Elbow - to booster tube - R.H.D.-	1262431	..	..	..	1	1	1	..	..	1	1	1	..
<b>Master Cylinder To Front Hose Connection Tube</b>													
Assembly - R.H.D.- - - - -	861611	1	1	..	..	..	..	1	1	..	..	..	..
Nut - - - - -	137397	2	2	..	..	..	..	2	2	..	..	..	..
<b>Brake Tube Tee To Front Hose Connection Tube</b>													
Assembly - right - L.H.D.- - - - -	861628	1	1	1	1	1	..	1	1	1	1	..	..
Assembly - right - R.H.D.- - - - -	861621	..	..	1	1	1	1	..	..	1	1	1	..
Assembly - left- - - - -	861612	1	1	..	..	..	..	1	1	..	..	..	..
Assembly - left- - - - -	861610	..	..	1	1	1	..	..	..	1	1	..	..
Nut - - - - -	137397	4	4	4	4	4	..	4	4	4	4	..	..
<b>Brake Tube Tee To Rear Hose Connection Tube</b>													
Assembly - - - - -	861625	1	..	..	..	..	..	1	..	..	..	..	..
Assembly - 116" W.B. - - - - -	861626	..	1	..	..	..	..	..	..	..	..	..	..
Assembly - 126" W.B. - - - - -	861628	..	1	..	..	..	..	..	1	..	..	..	..
Nut - - - - -	137397	2	2	..	..	..	..	2	2	..	..	..	..
<b>Brake Tube Tee To Union Tube</b>													
Assembly - - - - -	861624	..	..	1	1	1	..	..	..	1	1	..	..
Nut - - - - -	137397	..	..	2	2	2	..	..	..	2	2	..	..
Union - - - - -	137413	..	..	1	1	1	..	..	..	1	1	..	..

Indicates amount used as required.

† Indicates parts included in packages.

**GROUP 5 - SERVICE BRAKE**

PART NAME	PART NO.	MODEL CODES											
		DG AND FO					DH AND FP						
		1	2	3	4	5	6	1	2	4	5	6	7
<b>GROUP 5-J BRAKE TUBES (CONT'D)</b>													
<b>Brake Tube Union To Rear Hose Connection Tube</b>													
Assembly - 128" W.B. - - - - -	861621	..	..	1	1	..	..	..	..	..	..	..	..
Assembly - 152" W.B. - - - - -	861626	..	..	1	1	..	..	..	..	1	..	..	..
Assembly - 192" W.B. - - - - -	861632	..	..	..	1	..	..	..	..	..	..	..	..
Nut - - - - -	137397	..	..	2	2	..	..	..	..	2	..	..	..
<b>Front Tee To Front Hose Connection Tube</b>													
Assembly - right - L.H.D. - - - - -	861628	..	..	..	..	..	1	..	..	..	..	1	1
Assembly - left - - - - -	861610	..	..	..	..	..	1	..	..	..	..	1	1
Nut - - - - -	137397	..	..	..	..	..	4	..	..	..	..	4	4
<b>Front Tee To Rear Tee Brake Tube</b>													
Assembly - - - - -	861624	..	..	..	..	1	1	..	..	..	1	1	1
Nut - - - - -	137397	..	..	..	..	2	2	..	..	..	2	2	2
<b>Rear Tee To Rear Hose Connection Tube</b>													
Assembly - 128" W.B. - - - - -	861621	..	..	..	..	1	1	..	..	..	..	1	1
Assembly - 140" W.B. - - - - -	861624	..	..	..	..	..	1	..	..	..	..	..	..
Assembly - 152" W.B. - - - - -	861626	..	..	..	..	1	1	..	..	..	1	1	1
Assembly - 170" W.B. - - - - -	861629	..	..	..	1	1	1	..	..	..	1	1	1
Assembly - 212" W.B. - - - - -	861634	..	..	..	..	..	1	..	..	..	..	..	..
Nut - - - - -	137397	..	..	..	2	2	2	..	..	..	2	2	2
<b>GROUP 5-K BRAKE HOSE - FLEXIBLE</b>													
<b>Brake Hose - Flexible</b>													
Assembly - front axle - 18 1/16" long - - -	1261958	2	2	..	..	..	..	2	2	..	..	..	..
Assembly - rear axle - 17 1/16" long - - -	581545	1	..	..	..	..	..	1	..	..	..	..	..
Assembly - rear axle - 19 5/8" long - - -	599879	..	1	..	..	..	..	..	1	..	..	..	..
Assembly - front axle - 19 5/8" long - - -	599879	..	..	2	2	2	2	..	..	2	2	2	2
Assembly - rear axle - 17 1/16" long - exc. bus - - - - -	581545	..	..	1	1	1	1	..	..	1	1	1	1
Assembly - rear axle - 19 5/8" long - bus - - - - -	599879	..	..	..	1	..	..	..	..	..	..	..	..
Union nut - - - - -	600970	3	3	3	3	3	3	3	3	3	3	3	3
Lockwasher - - - - -	138502	3	3	3	3	3	3	3	3	3	3	3	3
Gasket - wheel cylinder - front - - - - -	692166	2	2	2	2	2	2	2	2	2	2	2	2
<b>GROUP 5-L WHEEL BRAKE CYLINDER</b>													
<b>Notes -</b> Parts referred to "Note 1" were used up to and including: Parts referred to "Note 2" were used after the following serial nos.													
DG1-90099230		F01-90518318											

Indicates amount used as required.

† Indicates parts included in packages.

**GROUP 5 - SERVICE BRAKE**

PART NAME	PART NO.	MODEL CODES										
		DG AND FO					DH AND FP					
		1	2	3	4	5	6	1	2	4	5	6
<b>GROUP 5-L WHEEL BRAKE CYLINDER (CONT'D)</b>												
<b>Front Wheel Cylinder</b>												
Assembly - right - (Note 1) - - - - -	1271432	1	..	..	..	..	..	..	..	..	..	..
Assembly - left - (Note 1) - - - - -	1271433	1	..	..	..	..	..	..	..	..	..	..
Assembly - (Note 2) - - - - -	1393269	2	..	..	..	..	2	..	..	..	..	..
Assembly - right - - - - -	1271426	..	1	1	1	1	..	..	..	..	..	..
Assembly - left - - - - -	1271427	..	1	1	1	1	..	..	..	..	..	..
Assembly - - - - -	1393321	..	..	..	..	..	..	2	2	2	2	2
Screw - - - - -	120228	4	4	4	4	4	4	4	4	4	4	4
Lockwasher - - - - -	120214	4	4	4	4	4	4	4	4	4	4	4
<b>Rear Wheel Cylinder</b>												
Assembly - upper - right - - - - -	1311532	1	..	..	..	..	1	..	..	..	..	..
Assembly - upper - left - - - - -	1311533	1	..	..	..	..	1	..	..	..	..	..
Assembly - lower - right - - - - -	1311534	1	..	..	..	..	1	..	..	..	..	..
Assembly - lower - left - - - - -	1311535	1	..	..	..	..	1	..	..	..	..	..
Assembly - right - - - - -	1271426	..	1	..	..	..	..	..	..	..	..	..
Assembly - left - - - - -	1271427	..	1	..	..	..	..	..	..	..	..	..
Assembly - - - - -	1501546	..	..	..	..	..	..	2	..	..	..	..
Assembly - right - - - - -	1271418	..	..	1	1	1	..	..	..	..	..	..
Assembly - left - - - - -	1271419	..	..	1	1	1	..	..	..	..	..	..
Assembly - - - - -	1500485	..	..	..	..	..	..	..	2	2	..	..
Assembly - right - Note "Y" in 5-B - - - - -	1271422	..	..	..	..	1	..	..	..	..	..	..
Assembly - left - Note "Y" in 5-B - - - - -	1271423	..	..	..	..	1	..	..	..	..	..	..
Assembly - Note "Z" in 5-B - - - - -	567130	..	..	..	..	2	..	..	..	..	..	..
Assembly - - - - -	1394347	..	..	..	..	..	..	..	..	..	2	2
Cover - Note "Z" in 5-B - - - - -	1274892	..	..	..	..	2	..	..	..	..	..	..
Push rod - Note "Z" in 5-B - - - - -	1191830	..	..	..	..	4	..	..	..	..	..	..
Screw - fastening - - - - -	122027	..	4	..	..	..	..	..	..	..	..	..
Screw - - - - -	120228	..	4	..	..	..	..	..	..	..	..	..
Screw - - - - -	122007	..	..	..	..	..	..	4	..	..	..	..
Lockwasher - - - - -	120214	..	4	..	..	..	..	4	..	..	..	..
Screw - - - - -	120233	..	..	4	4	4	4	..	..	..	..	..
Screw - - - - -	122119	..	..	..	..	..	..	4	4	4	4	4
Lockwasher - - - - -	120382	..	..	4	4	4	4	..	..	4	4	4
<b>Front Wheel Cylinder Internal Parts</b>												
Piston - front - (Note 1) - - - - -	1211413	2	..	..	..	..	..	..	..	..	..	..
Piston - rear - (Note 1) - - - - -	1271414	2	..	..	..	..	..	..	..	..	..	..
Piston - (Note 2) - - - - -	1271414	4	..	..	..	..	4	..	..	..	..	..
Piston - front - - - - -	1271407	..	2	..	..	..	..	..	..	..	..	..
Piston - rear - - - - -	1271412	..	2	..	..	..	..	..	..	..	..	..
Piston - front - - - - -	1271412	..	..	2	2	2	2	..	..	..	..	..
Piston - rear - - - - -	1271407	..	..	2	2	2	2	..	..	..	..	..
Piston - - - - -	1271407	..	..	..	..	..	..	4	4	4	4	4
Cup - front - (Note 1) - - - - -	† 77526	2	2	2	2	2	2	..	..	..	..	..
Cup - rear - (Note 1) - - - - -	† 77838	2	2	2	2	2	2	..	..	..	..	..
Cup - (Note 2) - - - - -	† 77838	4	..	..	..	..	..	4	4	4	4	4
Expander - front - (Note 1) - - - - -	† 634637	2	2	2	2	2	2	..	..	..	..	..
Expander - rear - (Note 1) - - - - -	† 634638	2	2	2	2	2	2	..	..	..	..	..
Expander - (Note 2) - - - - -	† 634638	4	..	..	..	..	..	4	4	4	4	4
Spring - (Note 1) - - - - -	634634	2	2	2	2	2	2	..	..	..	..	..
Spring - (Note 2) - - - - -	635838	2	..	..	..	..	..	2	2	2	2	2

Indicates amount used as required.

† Indicates parts included in packages.

GROUP 5-SERVICE BRAKE

PART NAME	PART NO.	MODEL CODES											
		DG AND FO						DH AND FP					
		1	2	3	4	5	6	1	2	4	5	6	7
<b>GROUP 5-L WHEEL BRAKE CYLINDER (CONT'D)</b>													
<b>Front Wheel Brake Cylinder Boot</b>													
Boot - - - - -	† 1263655	4	..	..	..	..	..	4	..	..	..	..	..
Boot - - - - -	† 1263652	..	4	4	4	4	4	..	4	4	4	4	4
<b>Rear Wheel Cylinder Internal Parts</b>													
Piston - - - - -	1140493	4	..	..	..	..	..	4	..	..	..	..	..
Piston - front - - - - -	1271412	..	2	..	..	..	..	..	..	..	..	..	..
Piston - rear - - - - -	1271407	..	2	..	..	..	..	..	..	..	..	..	..
Piston - - - - -	1501259	..	..	..	..	..	..	..	4	..	..	..	..
Piston - front - - - - -	1271409	..	..	2	2	2	..	..	..	..	..	..	..
Piston - rear - - - - -	1271410	..	..	2	2	2	..	..	..	..	..	..	..
Piston - - - - -	1271407	..	..	..	..	..	..	..	4	4	..	..	..
Piston - front - Note "Y" in 5-B - - - - -	1271410	..	..	..	..	..	2	..	..	..	..	..	..
Piston - rear - Note "Y" in 5-B - - - - -	1271411	..	..	..	..	..	2	..	..	..	..	..	..
Piston - Note "Z" in 5-B - - - - -	510389	..	..	..	..	..	4	..	..	..	..	..	..
Piston - - - - -	1271408	..	..	..	..	..	..	..	..	..	4	4	..
Cup - - - - -	† 854038	4	..	..	..	..	..	4	..	..	..	..	..
Cup - front - - - - -	† 77526	..	2	..	..	..	..	..	..	..	..	..	..
Cup - rear - - - - -	† 77838	..	2	..	..	..	..	..	..	..	..	..	..
Cup - - - - -	† 600142	..	..	..	..	..	..	..	4	..	..	..	..
Cup - front - - - - -	† 77838	..	..	2	2	2	..	..	..	..	..	..	..
Cup - rear - - - - -	† 510390	..	..	2	2	2	..	..	..	..	..	..	..
Cup - - - - -	77838	..	..	..	..	..	..	..	4	4	..	..	..
Cup - front - Note "Y" in 5-B - - - - -	† 510390	..	..	..	..	..	2	..	..	..	..	..	..
Cup - rear - Note "Y" in 5-B - - - - -	† 520580	..	..	..	..	..	2	..	..	..	..	..	..
Cup - Note "Z" in 5-B - - - - -	† 510390	..	..	..	..	..	4	..	..	..	..	..	..
Cup - - - - -	510390	..	..	..	..	..	..	..	..	..	4	4	..
Expander - - - - -	1140752	4	..	..	..	..	..	4	..	..	..	..	..
Expander - front - - - - -	† 634637	..	2	..	..	..	..	..	..	..	..	..	..
Expander - rear - - - - -	† 634638	..	2	..	..	..	..	..	..	..	..	..	..
Expander - - - - -	† 634636	..	..	..	..	..	..	..	4	..	..	..	..
Expander - front - - - - -	† 634638	..	..	2	2	2	..	..	..	..	..	..	..
Expander - rear - - - - -	† 634640	..	..	2	2	2	..	..	..	..	..	..	..
Expander - - - - -	634638	..	..	..	..	..	..	..	4	4	..	..	..
Expander - front - Note "Y" in 5-B - - - - -	† 634640	..	..	..	..	..	2	..	..	..	..	..	..
Expander - rear - Note "Y" in 5-B - - - - -	† 567206	..	..	..	..	..	2	..	..	..	..	..	..
Expander - - - - -	634640	..	..	..	..	..	..	..	..	..	4	4	..
Spring - - - - -	1141029	4	..	..	..	..	..	4	..	..	..	..	..
Spring - - - - -	634634	..	2	..	..	..	..	..	..	..	..	..	..
Spring - - - - -	634644	..	..	..	..	..	..	4	..	..	..	..	..
Spring - - - - -	634632	..	..	2	2	2	..	..	..	..	..	..	..
Spring - - - - -	635838	..	..	..	..	..	..	..	4	4	..	..	..
Spring - Note "Y" in 5-B - - - - -	571784	..	..	..	..	..	2	..	..	..	..	..	..
Spring - Note "Z" in 5-B - - - - -	510391	..	..	..	..	..	2	..	..	..	..	..	..
Spring - - - - -	1394352	..	..	..	..	..	..	..	..	..	4	4	..
<b>Rear Wheel Brake Cylinder Connecting Tube</b>													
Assembly - - - - -	1193582	2	..	..	..	..	..	2	..	..	..	..	..
Nut - - - - -	137396	4	..	..	..	..	..	4	..	..	..	..	..
<b>Rear Wheel Brake Cylinder Boot</b>													
Boot - - - - -	† 1136872	4	..	..	..	..	..	4	..	..	..	..	..
Boot - - - - -	† 1263652	..	4	..	..	..	..	..	..	..	..	..	..
Boot - - - - -	† 1263655	..	..	..	..	..	..	..	4	..	..	..	..

† Indicates amount used as required.

† Indicates parts included in packages.

**GROUP 5-SERVICE BRAKE**

PART NAME	PART NO.	MODEL CODES										
		DG AND FO					DH AND FP					
		1	2	3	4	5	6	1	2	4	5	6
<b>GROUP 5-L WHEEL BRAKE CYLINDER (CONT'D)</b>												
<b>Rear Wheel Brake Cylinder Boot (Cont'd)</b>												
Boot - - - - -	† 1263653	..	..	4	4	4	..	..	..	..	..	..
Boot - Note "Y" in 5-B - - - - -	† 1263654	..	..	..	..	..	4	..	..	..	..	..
Boot - Note "Z" in 5-B - - - - -	† 510392	..	..	..	..	..	4	..	..	..	..	..
Boot - - - - -	1263652	..	..	..	..	..	..	..	..	4	4	4 4
<b>Bleeder Screw</b>												
Screw - front- - - - -	1263929	2	..	..	..	..	..	2	..	..	..	..
Screw - rear - - - - -	1261834	4	..	..	..	..	..	4	..	..	..	..
Screw - - - - -	1263929	..	4	4	4	4	4	..	4	4	4	4 4
<b>Wheel Cylinder Connections - Rear</b>												
Connector - inlet tube - - - - -	1193581	2	..	..	..	..	..	2	..	..	..	..
Connector - inlet - - - - -	306292	..	2	2	2	..	..	2	2	2	2	2
Connector - Note "Y" in 5-B- - - - -	1194854	..	..	..	..	..	2	..	..	..	..	..
Connector - Note "Z" in 5-B- - - - -	1191831	..	..	..	..	..	2	..	..	..	..	..
Gasket- - - - -	1123332	2	2	2	2	..	..	2	2	2	2	2
Gasket- - - - -	200515	..	..	..	..	..	2	..	..	..	..	..
Bolt - inlet connector - - - - -	79193	..	2	2	2	..	..	2	2	2	2	2
Bolt - inlet connector - - - - -	924342	..	..	..	..	..	2	..	..	..	..	..
Gasket- - - - -	857309	..	2	2	2	..	..	2	2	2	2	2
Gasket- - - - -	77669	..	..	..	..	2	..	..	..	..	..	..
<b>Wheel Cylinder Service Package</b>												
Package - front - (Note 1) - - - - -	830391	2	..	..	..	..	..	..	..	..	..	..
Package - front - (Note 2) - - - - -	1510660	2	..	..	..	..	..	2	..	..	..	..
Package - rear - - - - -	947580	2	..	..	..	..	..	2	..	..	..	..
Package- - - - -	910176	..	4	..	..	..	..	..	..	..	..	..
Package - front- - - - -	1511992	..	..	..	..	..	..	2	2	2	2	2
Package - rear - - - - -	1511355	..	..	..	..	..	..	2	..	..	..	..
Package - rear - - - - -	1511992	..	..	..	..	..	..	..	2	2	..	..
Package - rear - - - - -	1511993	..	..	..	..	..	..	..	..	..	2	2
Package - front- - - - -	910176	..	..	2	2	2	2	..	..	..	..	..
Package - rear - - - - -	1103878	..	..	2	2	2	..	..	..	..	..	..
Package - rear - Note "Y" in 5-B - - - - -	1105336	..	..	..	..	..	2	..	..	..	..	..
Package - rear - Note "Z" in 5-B - - - - -	974021	..	..	..	..	2	..	..	..	..	..	..
<b>GROUP 5-M BOOSTER BRAKE</b>												
<b>Vacuum Cylinder And Component Parts</b>												
Assembly - - - - -	1188069	..	..	..	1	1	1	..	..	1	1	1 1
Body assembly - front - - - - -	1191138	..	..	..	1	1	1	..	..	1	1	1 1
Body assembly - rear - - - - -	1191139	..	..	..	1	1	1	..	..	1	1	1 1
Plug - rear- - - - -	103867	..	..	..	1	1	1	..	..	1	1	1 1
Strap - clamp - - - - -	1191140	..	..	..	1	1	1	..	..	1	1	1 1
Bolt - - - - -	422422	..	..	..	1	1	1	..	..	1	1	1 1
Nut - - - - -	120367	..	..	..	1	1	1	..	..	1	1	1 1
Diaphragm and pressure plate assembly- - - - -	†1191141	..	..	..	1	1	1	..	..	1	1	1 1
Spring - return - - - - -	1191145	..	..	..	1	1	1	..	..	1	1	1 1

Indicates amount used as required.

† Indicates parts included in packages.

**GROUP 5 - SERVICE BRAKE**

PART NAME	PART NO.	MODEL CODES											
		DG AND FO					DH AND FP						
		1	2	3	4	5	6	1	2	4	5	6	7
<b>GROUP 5-M BOOSTER BRAKE (Cont'd)</b>													
<b>Vacuum Cylinder And Component Parts (Cont'd)</b>													
Washer - - - - -	1191146	..	..	..	1	1	1	..	..	1	1	1	1
Push rod - piston - - - - -	1191142	..	..	..	1	1	1	..	..	1	1	1	1
Collar - rod - - - - -	1191143	..	..	..	1	1	1	..	..	1	1	1	1
Snap - ring - - - - -	1191144	..	..	..	1	1	1	..	..	1	1	1	1
Nut - - - - -	126022	..	..	..	1	1	1	..	..	1	1	1	1
Bushing - rod - - - - -	1191149	..	..	..	1	1	1	..	..	1	1	1	1
Seal - front - - - - -	† 1191150	..	..	..	1	1	1	..	..	1	1	1	1
Seal assembly - rear - - - - -	† 1191151	..	..	..	1	1	1	..	..	1	1	1	1
Retainer - rear seal - - - - -	1191152	..	..	..	1	1	1	..	..	1	1	1	1
Gasket - retainer - - - - -	† 1191153	..	..	..	1	1	1	..	..	1	1	1	1
<b>Booster Slave Cylinder</b>													
Cylinder - body - - - - -	1191147	..	..	..	1	1	1	..	..	1	1	1	1
Gasket - - - - -	† 1191148	..	..	..	1	1	1	..	..	1	1	1	1
Screw - - - - -	120233	..	..	..	5	5	5	..	..	5	5	5	5
Lockwasher - - - - -	120382	..	..	..	5	5	5	..	..	5	5	5	5
Piston assembly - - - - -	† 1191154	..	..	..	1	1	1	..	..	1	1	1	1
Cup - piston - - - - -	† 1191155	..	..	..	1	1	1	..	..	1	1	1	1
Spring - return - outer - - - - -	† 1191156	..	..	..	1	1	1	..	..	1	1	1	1
Spring - return - inner - - - - -	† 1191653	..	..	..	1	1	1	..	..	1	1	1	1
Retainer assembly - spring - - - - -	† 1193509	..	..	..	1	1	1	..	..	1	1	1	1
End plug - - - - -	1191158	..	..	..	1	1	1	..	..	1	1	1	1
Washer - - - - -	† 1191159	..	..	..	1	1	1	..	..	1	1	1	1
Snap ring - - - - -	1260904	..	..	..	1	1	1	..	..	1	1	1	1
Valve - hydraulic - - - - -	1260906	..	..	..	1	1	1	..	..	1	1	1	1
Spring - valve - - - - -	1260905	..	..	..	1	1	1	..	..	1	1	1	1
Bleeder screw - - - - -	1263929	..	..	..	1	1	1	..	..	1	1	1	1
<b>Booster Cylinder Vacuum Valve</b>													
Body - - - - -	1191161	..	..	..	1	1	1	..	..	1	1	1	1
Bolt - to slave cylinder - - - - -	123737	..	..	..	2	2	2	..	..	2	2	2	2
Nut - - - - -	120367	..	..	..	2	2	2	..	..	2	2	2	2
Lockwasher - - - - -	121753	..	..	..	2	2	2	..	..	2	2	2	2
Screw - to slave cylinder - - - - -	121900	..	..	..	4	4	4	..	..	4	4	4	4
Lockwasher - - - - -	121753	..	..	..	4	4	4	..	..	4	4	4	4
Cover - valve - - - - -	1191162	..	..	..	1	1	1	..	..	1	1	1	1
Gasket - - - - -	1191163	..	..	..	1	1	1	..	..	1	1	1	1
Screw - - - - -	121900	..	..	..	3	3	3	..	..	3	3	3	3
Lockwasher - - - - -	121753	..	..	..	3	3	3	..	..	3	3	3	3
Plunger and piston assembly - - - - -	† 1262844	..	..	..	1	1	1	..	..	1	1	1	1
Seal - - - - -	† 1191165	..	..	..	1	1	1	..	..	1	1	1	1
Diaphragm - - - - -	† 1191166	..	..	..	1	1	1	..	..	1	1	1	1
Washer - small - - - - -	1191167	..	..	..	1	1	1	..	..	1	1	1	1
Washer - large - - - - -	1191168	..	..	..	1	1	1	..	..	1	1	1	1
Nut - - - - -	1191169	..	..	..	1	1	1	..	..	1	1	1	1
Spring - return - - - - -	† 1191170	..	..	..	1	1	1	..	..	1	1	1	1
Disc assembly - - - - -	† 1191171	..	..	..	1	1	1	..	..	1	1	1	1
Spring - - - - -	† 1191172	..	..	..	1	1	1	..	..	1	1	1	1
Cap - control valve - - - - -	1263930	..	..	..	1	1	1	..	..	1	1	1	1
Gasket - - - - -	† 1263916	..	..	..	1	1	1	..	..	1	1	1	1

Indicates amount used as required.

† Indicates parts included in packages.



**GROUP 5-SERVICE BRAKE**

PART NAME	PART NO.	MODEL CODES											
		DG AND FO					DH AND FP						
		1	2	3	4	5	6	1	2	4	5	6	7
<b>GROUP 5-M BOOSTER BRAKE (CONT'D)</b>													
<b>Vacuum Valve To Vacuum Chamber Tube</b>													
Assembly - - - - -	1191173	..	..	..	1	1	1	..	..	1	1	1	1
Elbow - - - - -	137425	..	..	..	1	1	1	..	..	1	1	1	1
<b>Booster Air Cleaner</b>													
Assembly - - - - -	1392937	..	..	..	1	1	1	..	..	1	1	1	1
Washer - mounting - - - - -	578969	..	..	..	1	1	1	..	..	1	1	1	1
Elbow - - - - -	179531	..	..	..	1	1	1	..	..	1	1	1	1
Hose - booster to air cleaner - - - - -	1063681	..	..	..	1	1	1	..	..	1	1	1	1
Bushing - nipple reducer - - - - -	144039	..	..	..	1	1	1	..	..	1	1	1	1
<b>Booster Cylinder Bracket</b>													
Bracket - front- - - - -	1260838	..	..	..	1	1	..	..	..	1	1	1	1
Bracket - front - 128" W.B. only - - - - -	1260838	..	..	..	..	..	1	..	..	..	..	1	1
Bracket - front - except 128" W.B. - - - - -	1260836	..	..	..	..	..	1	..	..	..	..	1	1
Bracket - rear - - - - -	1260837	..	..	..	1	1	1	..	..	1	1	1	1
Bolt- - - - -	121615	..	..	..	4	4	4	..	..	4	4	4	4
Nut- - - - -	120369	..	..	..	4	4	4	..	..	4	4	4	4
Lockwasher - - - - -	120382	..	..	..	4	4	4	..	..	4	4	4	4
Screw - mounting - to cylinder - front- - - - -	123561	..	..	..	2	2	2	..	..	2	2	2	2
Lockwasher - - - - -	120383	..	..	..	2	2	2	..	..	2	2	2	2
Plainwasher- - - - -	120395	..	..	..	2	2	2	..	..	2	2	2	2
Nut - mounting stud - to cylinder - rear	120371	..	..	..	1	1	1	..	..	1	1	1	1
Lockwasher - - - - -	120384	..	..	..	1	1	1	..	..	1	1	1	1
Plainwasher- - - - -	120369	..	..	..	1	1	1	..	..	1	1	1	1
<b>Check Valve</b>													
Assembly - - - - -	589347	..	..	..	1	1	1	..	..	1	1	1	1
Connector - - - - -	671153	..	..	..	*	*	*	..	..	*	*	*	*
Elbow - - - - -	137425	..	..	..	1	1	1	..	..	1	1	1	1
<b>Booster Brake Tubes</b>													
Assembly - manifold to check valve - - - - -	1196670	..	..	..	1	1	1	..	..	1	1	1	1
Assembly - check valve to cylinder - exc. 2 1/2" W.B. bus - - - - -	1267563	..	..	..	1	1	1	..	..	1	1	1	1
Assembly - check valve to cylinder - 2 1/2" W.B. bus- - - - -	1196192	..	..	..	..	..	1	..	..	..	..	..	..
Gasket- - - - -	1193156	..	..	..	4	4	4	..	..	4	4	4	4
Nut- - - - -	137401	..	..	..	4	4	4	..	..	4	4	4	4
Assembly - rear tee to booster brake tube- - - - -	861822	..	..	..	1	1	1	..	..	1	1	1	1
Nut - - - - -	137398	..	..	..	1	1	1	..	..	1	1	1	1
Elbow- - - - -	137422	..	..	..	1	1	1	..	..	1	1	1	1
<b>Booster Brake Tee</b>													
Tee - at manifold- - - - -	1188062	..	..	..	1	1	1	..	..	1	1	1	1
Plug - tee - - - - -	1260718	..	..	..	1	1	1	..	..	1	1	1	1

Indicates amount used as required.

† Indicates parts included in packages.

**GROUP 5 - SERVICE BRAKE**

PART NAME	PART NO.	MODEL CODES											
		DG AND FO					DH AND FP						
		1	2	3	4	5	6	1	2	4	5	6	7
<b>GROUP 5-M BOOSTER BRAKE (CONT'D)</b>													
<b>Booster Cylinder Tube Clip</b>													
Clip - - - - -	56382	..	..	..	2	2	2	..	..	2	2	2	2
Drive pin - - - - -	1263915	..	..	..	2	2	2	..	..	2	2	2	2
<b>Booster Cylinder Repair Package</b>													
Package - minor repairs- - - - -	1241501	..	..	..	1	1	1	..	..	1	1	1	1
Package - major repairs- - - - -	1241503	..	..	..	1	1	1	..	..	1	1	1	1
<b>GROUP 5-N BOOSTER BRAKE VACUUM RESERVE TANK</b>													
<b>Booster Brake Vacuum Reserve Tank</b>													
Tank - - - - -	599885	..	..	..	1	1	1	..	..	1	1	1	1
Plug- - - - -	143933	..	..	..	1	1	1	..	..	1	1	1	1
Bracket- - - - -	599881	..	..	..	4	4	4	..	..	4	4	4	4
Bolt - clamp- - - - -	173047	..	..	..	2	2	2	..	..	2	2	2	2
Nut- - - - -	120369	..	..	..	2	2	2	..	..	2	2	2	2
Lockwasher - - - - -	120382	..	..	..	2	2	2	..	..	2	2	2	2
Support - front- - - - -	1262695	..	..	..	1	1	1	..	..	1	1	1	1
Support - rear - with running board- - - - -	1262696	..	..	..	1	1	1	..	..	1	1	1	1
Support - rear - without running board - - - - -	1262695	..	..	..	1	1	1	..	..	1	1	1	1
Bolt - support - with running board - - - - -	120647	..	..	..	*	*	*	..	..	*	*	*	*
Bolt - support - without running board- - - - -	121615	..	..	..	2	2	2	..	..	2	2	2	2
Nut- - - - -	120369	..	..	..	*	*	*	..	..	*	*	*	*
Lockwasher - - - - -	120382	..	..	..	*	*	*	..	..	*	*	*	*
<b>Vacuum Tank Tube</b>													
Assembly - - - - -	1262794	..	..	..	1	1	1	..	..	1	1	1	1
Gasket- - - - -	1193156	..	..	..	2	2	2	..	..	2	2	2	2
Plug- - - - -	103867	..	..	..	1	1	1	..	..	1	1	1	1
Nut - tube- - - - -	137401	..	..	..	1	1	1	..	..	1	1	1	1
Elbow - - - - -	137425	..	..	..	1	1	1	..	..	1	1	1	1
Reducer - - - - -	142269	..	..	..	2	2	2	..	..	2	2	2	2
Tee - check valve to cylinder tube- - - - -	178698	..	..	..	1	1	1	..	..	1	1	1	1
<b>Vacuum Brake Gauge</b>													
Assembly - - - - -	1191584	..	..	..	1	1	1	..	..	1	1	1	1
Hood - gauge light- - - - -	588460	..	..	..	1	1	1	..	..	1	1	1	1
Fitting - gauge hose- - - - -	1193353	..	..	..	1	1	1	..	..	1	1	1	1
Socket - gauge light - - - - -	682198	..	..	..	1	1	1	..	..	1	1	1	1
Spring- - - - -	385532	..	..	..	1	1	1	..	..	1	1	1	1
Bushing - - - - -	657583	..	..	..	1	1	1	..	..	1	1	1	1
Contact - - - - -	657572	..	..	..	1	1	1	..	..	1	1	1	1
Cable - gauge light - 25" of #16 - - - - -	211318	..	..	..	1	1	1	..	..	1	1	1	1
Terminal- - - - -	200006	..	..	..	1	1	1	..	..	1	1	1	1
Sleeve - - - - -	926025	..	..	..	1	1	1	..	..	1	1	1	1
Screw - light hood mounting - - - - -	169448	..	..	..	2	2	2	..	..	2	2	2	2
Tubing - rubber - - - - -	345431	..	..	..	1	1	1	..	..	1	1	1	1
Bulb- - - - -	830335	..	..	..	1	1	1	..	..	1	1	1	1
Bracket - gauge light mounting- - - - -	1270514	..	..	..	1	1	1	..	..	1	1	1	1
Screw - - - - -	188076	..	..	..	2	2	2	..	..	2	2	2	2

Indicates amount used as required.

† Indicates parts included in packages.

GROUP 5 - SERVICE BRAKE

PART NAME	PART NO.	MODEL CODES													
		DG AND FO					DH AND FP								
		1	2	3	4	5	6	1	2	4	5	6	7		
GROUP 5-N BOOSTER BRAKE VACUUM RESERVE TANK (CONT'D)															
High Power Booster Brake Synchronizing Valve Package For Use With Trailers  Package- - - - -	1102782	..	..	..	1	1	1	..	..	1	1	1	1		
Transfer Valve - For Use With Synchronizing Valve Package - With Trailer Control On Steering Column  Valve- - - - -	1104923	..	..	..	1	1	1	..	..	1	1	1	1		

NOTES:

---



---



---



---



---



---



---



---



---



---



---



---



---



---



---



---



---



---



---



---



---



---

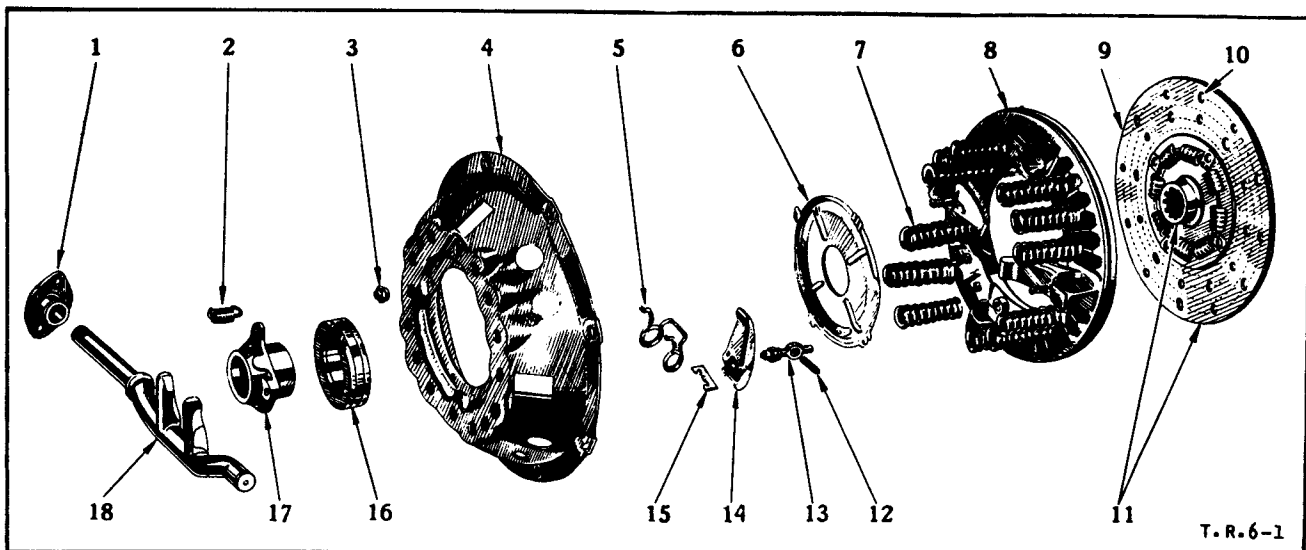


---

Indicates amount used as required. † Indicates parts included in packages.

Plate 21

CLUTCH



T.R.6-1

Ref. No.	Part Name	Group	Ref. No.	Part Name	Group
1	Clutch release fork flange.....	6-E	10	Clutch disc facing rivet.....	6-B
2	Release bearing pull back spring.....	6-D	11	Clutch disc assembly.....	6-B
3	Release lever eye bolt nut.....	6-C	12	Release lever pin.....	6-C
4	Clutch cover.....	6-C	13	Eye bolt and nut assembly.....	6-C
5	Release lever spring.....	6-C	14	Release lever.....	6-C
6	Baffle plate.....	6-C	15	Release lever strut.....	6-C
7	Pressure spring.....	6-C	16	Release bearing assembly.....	6-D
8	Pressure plate.....	6-C	17	Release bearing sleeve.....	6-D
9	Clutch disc facing.....	6-B	18	Release fork.....	6-E

NOTES:

---



---



---



---



---



---



---



---



---



---

**GROUP 6-CLUTCH**

**NOTE: -** Parts referred to "Note 1" were used up to and including:  
 Parts referred to "Note 2" were used after the following Engine Serial Nos.:  
 T 307 - 7069C T 311 - 3650C

PART NAME	PART NO.	MODEL CODES											
		DG AND FO					DH AND FP						
		1	2	3	4	5	6	1	2	4	5	6	7
<b>GROUP 6-A CLUTCH HOUSING</b>													
<b>Clutch Housing</b>													
Assembly - less fluid drive- 3 speed trans.	589999	1	1	...	...	...	...	1	1	...	...	...	...
Assembly - L.H.D. - with fluid drive - - -	1270976	1	1	...	...	...	...	...	...	...	...	...	...
Assembly - R.H.D. - with fluid drive - - -	1270978	1	1	...	...	...	...	...	...	...	...	...	...
Assembly - with 4-speed trans. - - - - -	592386	...	1	...	...	...	...	...	1	...	...	...	...
Assembly - - - - -	579442	...	...	1	1	1	1	...	...	1	1	1	...
Assembly - - - - -	1501886	...	...	...	...	...	...	...	...	...	...	...	1
Screw - to trans. case- - - - -	122273	4	4	...	...	...	...	4	4	...	...	...	...
Lockwasher - - - - -	120383	4	4	...	...	...	...	4	4	...	...	...	...
Screw - to trans. case-with 4-speed trans. DG2/DH2/FO2/FP2 - - - - -	120896	...	4	4	4	4	4	...	...	4	4	4	...
Lockwasher - - - - -	120898	...	4	4	4	4	4	...	...	4	4	4	...
Stud - to trans. case - - - - -	112576	...	...	...	...	...	...	...	...	...	...	...	4
Nut - - - - -	190514	...	...	...	...	...	...	...	...	...	...	...	4
Screw - small - upper - to cyl. block - L.H.D. - - - - -	120918	2	2	2	2	2	2	2	2	2	2	2	2
Screw - small - upper - to cyl. block - R.H.D. - - - - -	122145	2	2	2	2	2	2	2	2	2	2	2	...
Screw - small - lower - to cyl. block - - - - -	122145	2	2	2	2	2	2	2	2	2	2	2	2
Lockwasher - - - - -	120382	4	4	4	4	4	4	4	4	4	4	4	4
Screw - large - to cyl. block - - - - -	122273	2	2	2	2	2	2	2	2	2	2	2	2
Lockwasher - - - - -	120383	2	2	2	2	2	2	2	2	2	2	2	2
Hole plug - less fluid drive- - - - -	660324	1	1	1	1	1	1	1	1	1	1	1	1
Hole plug - filler - with fluid drive - - - - -	1322351	1	1	...	...	...	...	...	...	...	...	...	...
Hole plug - screw - with fluid drive- - - - -	920281	4	4	...	...	...	...	...	...	...	...	...	...
Vent screen - with fluid drive- - - - -	698606	2	2	...	...	...	...	...	...	...	...	...	...
Drive pin - vent screen - with fluid drive- - - - -	697574	2	2	...	...	...	...	...	...	...	...	...	...
<b>Housing Pan And Dust Seal</b>													
Assembly - less fluid drive - - - - -	1266640	1	1	1	1	1	...	1	1	1	1	...	...
Assembly - with fluid drive - - - - -	1391097	1	1	...	...	...	...	...	...	...	...	...	...
Pan- - - - -	580126	...	...	...	...	...	1	...	...	...	...	1	1
Screw - less fluid drive - - - - -	120228	6	6	6	6	6	6	6	6	6	6	6	6
Lockwasher - - - - -	120214	6	6	6	6	6	6	6	6	6	6	6	6
Screw - with fluid drive- - - - -	122007	6	6	...	...	...	...	...	...	...	...	...	...
Lockwasher - - - - -	138486	6	6	...	...	...	...	...	...	...	...	...	...
Assembly - dust seal and plate - less fluid drive - - - - -	561083	1	1	1	1	1	1	1	1	1	1	1	1
Assembly - dust seal and plate - with fluid drive - - - - -	1262600	1	1	...	...	...	...	...	...	...	...	...	...
Dust seal - lower - less fluid drive- - - - -	561082	1	1	1	1	1	1	1	1	1	1	1	1
Dust seal - lower - with fluid drive- - - - -	1274842	1	1	...	...	...	...	...	...	...	...	...	...
Dust seal - upper - - - - -	600817	1	1	1	1	1	1	1	1	1	1	1	1
Rivet- - - - -	136612	10	10	10	10	10	10	10	10	10	10	10	10
Screw - large - - - - -	122104	2	2	2	2	2	2	2	2	2	2	2	2
Lockwasher - - - - -	120382	2	2	2	2	2	2	2	2	2	2	2	2
Screw - small - - - - -	120228	2	2	2	2	2	2	2	2	2	2	2	2
Lockwasher - - - - -	120214	2	2	2	2	2	2	2	2	2	2	2	2
Screw and washer assembly - with fluid drive- - - - -	695787	2	2	...	...	...	...	...	...	...	...	...	...

Indicates amount used as required.

† Indicates parts included in packages.

**GROUP 6 - CLUTCH**

PART NAME	PART NO.	MODEL CODES											
		DG AND FO					DH AND FP						
		1	2	3	4	5	6	1	2	4	5	6	7
<b>GROUP 6-B CLUTCH DRIVING DISC</b>													
<b>Clutch Driving Disc</b>													
Assembly - less fluid drive - - - - -	1265948	1	..	..	..	..	..	1	..	..	..	..	..
Assembly - less fluid drive - with 3 speed trans. 10" clutch - - - - -	1265949	..	1	..	..	..	..	..	1	..	..	..	..
Assembly - with fluid drive- - - - -	697449	1	1	..	..	..	..	..	..	..	..	..	..
Assembly - less fluid drive - with 4 speed trans. 10" clutch- - - - -	1265958	..	1	1	..	..	..	..	1	..	..	..	..
Assembly - with fluid drive - with 4-speed trans.- - - - -	1194269	..	1	..	..	..	..	..	..	..	..	..	..
Assembly - 11" clutch- - - - -	1266026	..	1	1	1	1	1	..	1	1	1	1	1
Facing - 10" clutch - - - - -	684364	2	2	2	..	..	..	2	2	..	..	..	..
Facing - 11" clutch - - - - -	1266028	..	2	2	2	2	2	..	2	2	2	2	2
Rivet- - - - -	660146	*	*	*	*	*	*	*	*	*	*	*	*
<b>GROUP 6-C CLUTCH COVER AND PRESSURE PLATE</b>													
<b>Clutch Cover And Pressure Plate</b>													
Assembly - less fluid drive - 10" clutch - -	1265946	1	1	1	..	..	..	1	1	..	..	..	..
Assembly - with fluid drive- - - - -	1263854	1	1	..	..	..	..	..	..	..	..	..	..
Assembly - 11" clutch- - - - -	1266023	..	1	1	1	1	1	..	1	1	1	1	1
Cover - 10" clutch- - - - -	665270	1	1	1	..	..	..	1	1	..	..	..	..
Cover - 11" clutch- - - - -	1266024	..	1	1	1	1	1	..	1	1	1	1	1
Screw - to flywheel - less fluid drive- -	314926	6	6	6	8	8	8	6	6	8	8	8	8
Screw - to flywheel - with fluid drive- -	1119890	6	6	..	..	..	..	6	..	..	..	..	..
Lockwasher - - - - -	120382	6	6	6	8	8	8	6	6	8	8	8	8
<b>Clutch Pressure Plate</b>													
Pressure plate - 10" clutch- - - - -	1142472	1	1	1	..	..	..	1	1	..	..	..	..
Pressure plate - 11" clutch- - - - -	1266025	..	1	1	1	1	1	..	1	1	1	1	1
Release lever - 10" clutch- - - - -	683963	3	3	3	..	..	..	3	3	..	..	..	..
Release lever - 11" clutch- - - - -	683963	..	4	4	4	4	4	..	4	4	4	4	4
Clevis pin - 10" clutch- - - - -	619463	3	3	3	..	..	..	3	3	..	..	..	..
Clevis pin - 11" clutch- - - - -	619463	..	4	4	4	4	4	..	4	4	4	4	4
Spring - 10" clutch- - - - -	622915	3	3	3	..	..	..	3	3	..	..	..	..
Spring - 11" clutch- - - - -	316767	..	4	4	4	4	4	..	4	4	4	4	4
Strut - 10" clutch- - - - -	619466	3	3	3	..	..	..	3	3	..	..	..	..
Strut - 11" clutch- - - - -	619466	..	4	4	4	4	4	..	4	4	4	4	4
Eye bolt and nut assembly - 10" clutch- -	1088101	3	3	3	..	..	..	3	3	..	..	..	..
Eye bolt and nut assembly - 11" clutch- -	623764	..	4	4	4	4	4	..	4	4	4	4	4
Pressure spring - less fluid drive - 10" clutch - - - - -	1265947	9	9	9	..	..	..	9	9	..	..	..	..
Pressure spring - with fluid drive- - - -	586811	9	9	..	..	..	..	..	..	..	..	..	..
Pressure spring - 11" clutch- - - - -	393613	..	8	8	8	8	8	..	8	8	8	8	8
<b>GROUP 6-D CLUTCH RELEASE BEARING</b>													
<b>Clutch Release Bearing</b>													
Assembly - includes sleeve - - - - -	915058	1	1	1	1	1	1	1	1	1	1	1	1
Bearing - only- - - - -	581499	1	1	1	1	1	1	1	1	1	1	1	1
Pull back spring - - - - -	573318	1	1	1	1	1	1	1	1	1	1	1	1
Screw - - - - -	1261327	1	1	1	1	1	1	1	1	1	1	1	1

Indicates amount used as required.

† Indicates parts included in packages.

**GROUP 6-CLUTCH**

PART NAME	PART NO.	MODEL CODES										
		DG AND FO					DH AND FP					
		1	2	3	4	5	6	1	2	4	5	6
<b>GROUP 6-E CLUTCH RELEASE FORK</b>												
<b>Clutch Release Fork</b>												
Fork - L.H.D. - - - - -	561537	1	1	1	1	1	1	1	1	1	1	1
Fork - R.H.D. - - - - -	563762	1	1	1	1	1	1	1	1	1	1	1
Bushing - - - - -	50519	1	1	1	1	1	1	1	1	1	1	1
Thrust washer - R.H.D. - - - - -	1242698	1	1	1	1	1	1	1	1	1	1	1
Screw - - - - -	122104	1	1	1	1	1	1	1	1	1	1	1
Lockwasher - - - - -	120382	1	1	1	1	1	1	1	1	1	1	1
Flange assembly - less fluid drive - Note 1	56812	1	1	1	1	1	1	..	..	1	1	1
Flange assembly - less fluid drive - Note 2	1273663	1	1	..	..	..	..	1	1	..	..	..
Flange assembly - with fluid drive - - - - -	1273663	1	1	..	..	..	..	..	..	..	..	..
Oiler - Note 2- - - - -	109350	1	1	..	..	..	..	1	1	..	..	..
Bushing - Note 1- - - - -	306770	1	1	1	1	1	1	..	..	1	1	1
Felt - Note 1 - - - - -	306769	1	1	1	1	1	1	..	..	1	1	1
Screw - - - - -	120229	2	2	2	2	2	2	2	2	2	2	2
Lockwasher - - - - -	120214	2	2	2	2	2	2	2	2	2	2	2
Lever - L.H.D. - with fluid drive- - - - -	1267542	1	1	..	..	..	..	..	..	..	..	..
Lever - R.H.D. - with fluid drive- - - - -	1267883	1	1	..	..	..	..	..	..	..	..	..
Spacer - L.H.D. - - - - -	1190179	1	1	..	..	..	..	..	..	..	..	..
Bolt - clamp- - - - -	120678	1	1	..	..	..	..	..	..	..	..	..
Nut - - - - -	120369	1	1	..	..	..	..	..	..	..	..	..
Lockwasher - - - - -	120382	1	1	..	..	..	..	..	..	..	..	..
Key - - - - -	103907	1	1	..	..	..	..	..	..	..	..	..
<b>GROUP 6-F CLUTCH OPERATING ROD (WITH FLUID DRIVE)</b>												
<b>Clutch Operating Rod (With Fluid Drive)</b>												
Assembly - - - - -	1267539	1	1	..	..	..	..	..	..	..	..	..
Yoke- - - - -	116536	1	1	..	..	..	..	..	..	..	..	..
Check nut- - - - -	124925	1	1	..	..	..	..	..	..	..	..	..
Clevis pin- - - - -	138084	2	2	..	..	..	..	..	..	..	..	..
Cotter - - - - -	103373	2	2	..	..	..	..	..	..	..	..	..
<b>GROUP 6-G CLUTCH PEDAL</b>												
<b>Clutch Pedal</b>												
Pedal - L.H.D. - less fluid drive- - - - -	1272871	1	1	..	..	..	..	1	1	..	..	..
Pedal - L.H.D. - - - - -	1262605	..	..	1	1	1	1	..	..	1	1	1
Pedal - R.H.D. - less fluid drive- - - - -	1272941	1	1	..	..	..	..	1	1	..	..	..
Pedal - R.H.D. - - - - -	1274206	..	..	1	1	1	1	..	..	1	1	1
Assembly - L.H.D. - with fluid drive - - - - -	1273739	1	1	..	..	..	..	..	..	..	..	..
Assembly - R.H.D. - with fluid drive - - - - -	1273741	1	1	..	..	..	..	..	..	..	..	..
Assembly - L.H.D. - with fluid drive - - - - -	1273739	..	1	..	..	..	..	..	..	..	..	..
4 speed trans. - - - - -	1273741	..	1	..	..	..	..	..	..	..	..	..
Assembly - R.H.D. - with fluid drive - - - - -	1273741	..	1	..	..	..	..	..	..	..	..	..
4 speed trans. - - - - -	385386	1	1	..	..	..	..	..	..	..	..	..
Bushing - with fluid drive- - - - -	145433	1	1	..	..	..	..	..	..	..	..	..
Grease nipple - with fluid drive- - - - -	120918	1	1	1	1	1	1	1	1	1	1	1
Clamp screw - - - - -	120382	1	1	1	1	1	1	1	1	1	1	1
Lockwasher - - - - -	33106	1	1	1	1	1	1	1	1	1	1	1
Collar - adjusting- - - - -	102898	2	2	2	2	2	2	2	2	2	2	2
Set screw- - - - -	120377	2	2	2	2	2	2	2	2	2	2	2
Nut- - - - -	103907	1	1	1	1	1	1	1	1	1	1	1
Key - collar- - - - -		1	1	1	1	1	1	1	1	1	1	1

Indicates amount used as required.

† Indicates parts included in packages.

GROUP 6 - CLUTCH

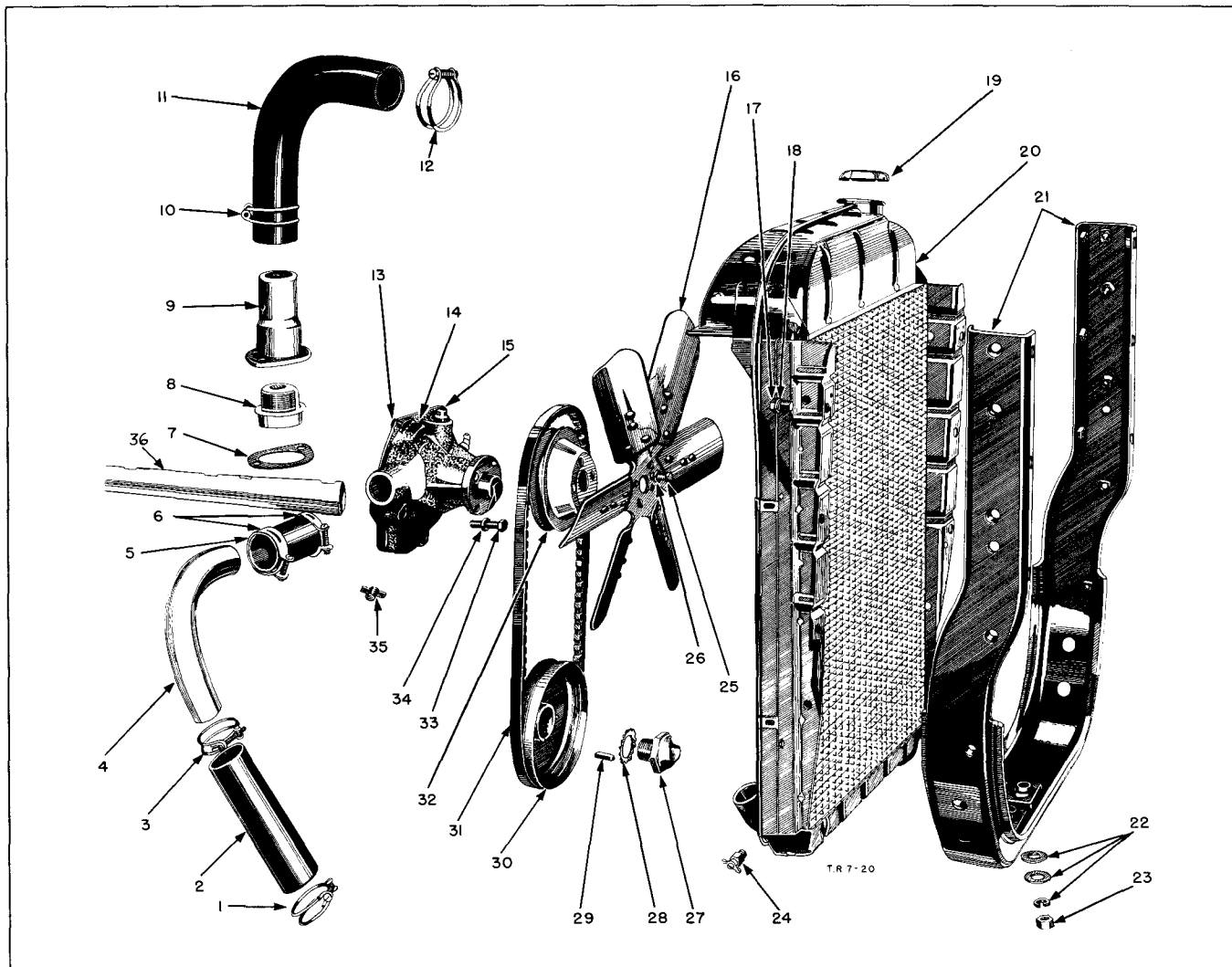
PART NAME	PART NO.	MODEL CODES													
		DG AND FO						DH AND FP							
		1	2	3	4	5	6	1	2	4	5	6	7		
<b>GROUP 6-G CLUTCH PEDAL (CONT'D)</b>															
<b>Clutch Pedal (Cont'd)</b>															
Stop screw - R.H.D. - - - - -	134582	1	1	1	1	1	1	1	1	1	1	1	1	..	
Check nut - - - - -	120377	1	1	1	1	1	1	1	1	1	1	1	1	1	
Pad - draft - L.H.D. - - - - -	344112	1	1	1	1	1	1	1	1	1	1	1	1	1	
Pad - - - - -	1272605	1	1	1	1	1	1	1	1	1	1	1	1	1	
<b>Clutch Pedal Shaft (With Fluid Drive)</b>															
Shaft - L.H.D. - - - - -	1267541	1	1	..	..	..	..	..	..	..	..	..	..	..	
Shaft - R.H.D. - - - - -	1267877	1	1	..	..	..	..	..	..	..	..	..	..	..	
Lock pin - L.H.D. - - - - -	142496	1	1	..	..	..	..	..	..	..	..	..	..	..	
Lock pin - R.H.D. - - - - -	190901	1	1	..	..	..	..	..	..	..	..	..	..	..	
Washer - - - - -	131017	1	1	..	..	..	..	..	..	..	..	..	..	..	
Cotter - - - - -	103399	1	1	..	..	..	..	..	..	..	..	..	..	..	
<b>Pedal Return Spring</b>															
Spring - L.H.D. - - - - -	563753	1	1	1	1	1	1	1	1	1	1	1	1	1	
Spring - R.H.D. - - - - -	76321	1	1	1	1	1	1	1	1	1	1	1	1	..	
Bracket - L.H.D. - - - - -	561351	1	..	..	..	..	..	1	..	..	..	..	..	..	
Bracket - R.H.D. - - - - -	1196043	1	1	1	1	1	1	1	1	1	1	1	1	..	
Screw - L.H.D. - - - - -	122119	2	..	..	..	..	..	2	..	..	..	..	..	..	
Screw - R.H.D. - - - - -	122119	2	2	2	2	2	2	2	2	2	2	2	2	..	
Lockwasher - - - - -	120382	2	2	2	2	2	2	2	2	2	2	2	2	..	
<b>Pedal Reinforcement Bracket</b>															
Bracket - L.H.D. - less fluid drive - - -	567997	..	1	1	1	1	1	..	1	1	1	1	1	1	
Bracket - L.H.D. - with fluid drive - - -	1267615	1	1	..	..	..	..	..	..	..	..	..	..	..	
Screw - - - - -	120233	..	2	2	2	2	2	..	2	2	2	2	2	2	
Lockwasher - - - - -	120382	..	2	2	2	2	2	..	2	2	2	2	2	2	

NOTES:

Indicates amount used as required.

† Indicates parts included in packages.

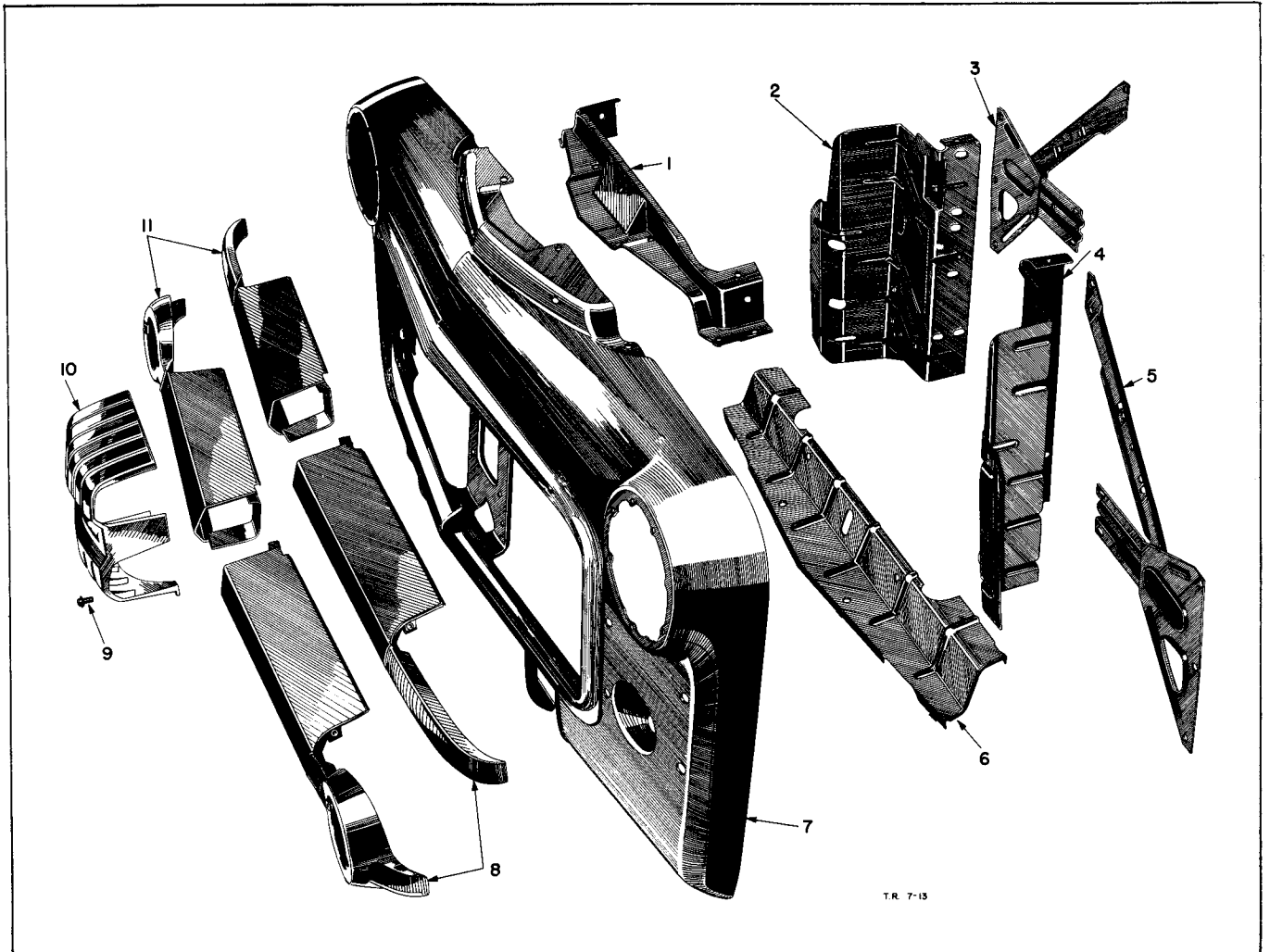




Ref. No.	Part Name	Group
1	Hose clamp.....	7-B
2	Outlet hose - lower.....	7-B
3	Hose clamp.....	7-B
4	Outlet tube.....	7-B
5	Outlet hose - upper.....	7-B
6	Hose clamp.....	7-B
7	Water connector gasket.....	9-C
8	Thermostat.....	7-E
9	Water connector.....	9-C
10	Hose clamp.....	7-B
11	Inlet hose.....	7-B
12	Hose clamp.....	7-B
13	Water pump cover screw.....	7-D
14	Water pump assy.....	7-D
15	Water pump cover plate.....	7-D
16	Fan blade.....	7-A
17	Radiator to support screw.....	7-B
18	Radiator to support screw washer.....	7-B

Ref. No.	Part Name	Group
19	Radiator cap.....	7-B
20	Radiator assy.....	7-B
21	Radiator support assy.....	7-C
22	Radiator support washers.....	7-C
23	Radiator support nut.....	7-C
24	Radiator drain cock.....	7-B
25	Fan blade screw.....	7-A
26	Fan blade screw washer.....	7-A
27	Starting jaw.....	9-E
28	Starting jaw washer.....	9-E
29	Crankshaft pulley key.....	7-A
30	Crankshaft pulley.....	7-A
31	Fan belt.....	7-A
32	Fan pulley.....	7-A
33	Water pump screw.....	7-D
34	Water pump screw washer.....	7-D
35	Cylinder block drain cock.....	9-B
36	Water distributor tube.....	9-B

RADIATOR GRILLE

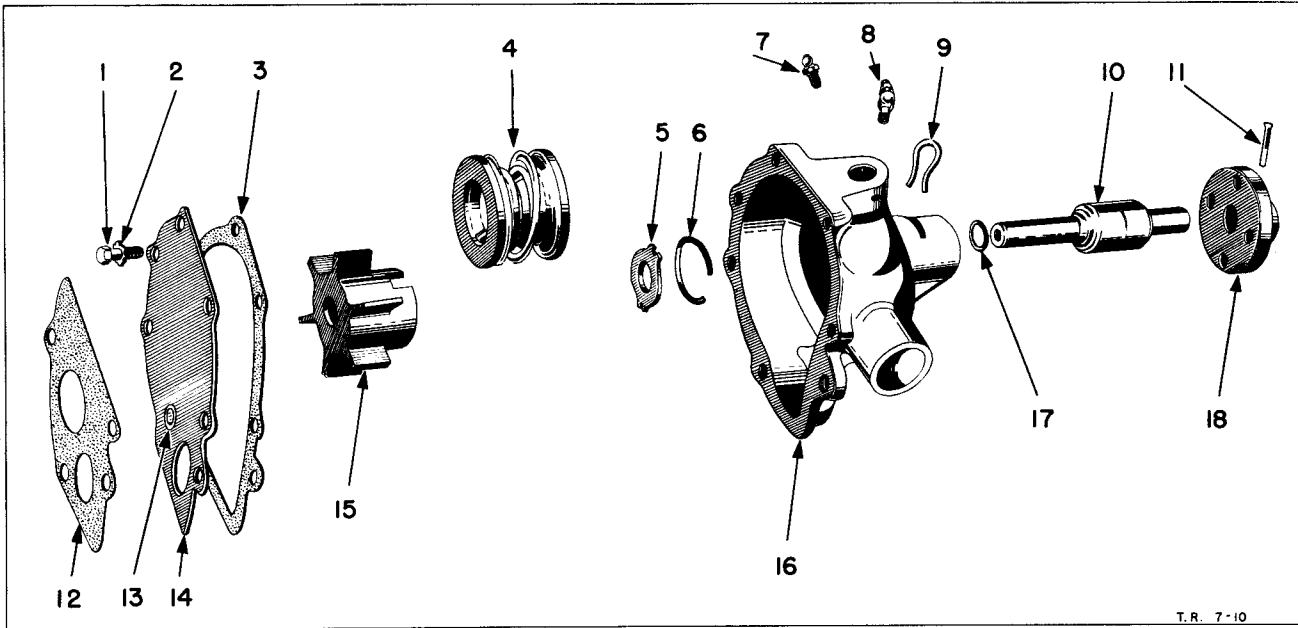


T.R. 7-15

Ref. No.	Part Name	Group	Ref. No.	Part Name	Group
1	Radiator grille panel support.....	7-C	7	Radiator grille panel.....	7-C
2	Radiator grille side support - right.....	7-C	8	Radiator grille moulding.....	7-C
3	Radiator grille panel support - lower right	7-C	9	Radiator medallion screw.....	7-C
4	Radiator grille side support - left.....	7-C	10	Radiator medallion.....	7-C
5	Radiator grille panel support - lower left.	7-C	11	Radiator grille moulding.....	7-C
6	Radiator grille baffle.....	7-C			

**GROUP 7 - COOLING**

**WATER PUMP**



T.R. 7-10

Ref. No.	Part Name	Group	Ref. No.	Part Name	Group
1	Cover plate screw.....	7-1	10	Water pump shaft.....	7-1
2	Cover plate screw lockwasher.....	7-1	11	Fan pulley hub pin.....	7-1
3	Cover plate gasket.....	7-1	12	Pump to cylinder block gasket.....	7-1
4	Water pump seal.....	7-1	13	Cover plate screw washer.....	7-1
5	Water pump seal washer.....	7-1	14	Body cover plate.....	7-1
6	Water pump seal washer lock ring.....	7-1	15	Impeller.....	7-1
7	Grease nipple.....	7-1	16	Water pump body (Service in Assembly).....	7-1
8	Grease nipple.....	7-1	17	Shaft water thrower.....	7-1
9	Shaft bearing lock ring.....	7-1	18	Fan pulley hub.....	7-8

# GROUP 7 - COOLING

**NOTE:-** Parts referred to "Note 1" were used up to and including:  
 Parts referred to "Note 2" were used after the following serial nos:  
 DG1-90098780                      DG3-92000833                      DG5-93251993  
 DG2-91187196                      DG4-93003986                      DG6-94003313

F01-90517925                      F03-92500913                      F05-93751665  
 F02-91508311                      F04-93503716                      F06-94502369

Except - "Note 1" Parts used on the following:  
 DG1-90098821-30 incl.                      F01-90517980-91 incl.  
 DG2-91187304-08 incl.                      F02-91508327-28 incl.  
 DG4-93003994-97 incl.                      F04-93503729  
 DG5-93252002                      F05-93751673-74 incl.  
 DG6-94003345-55 incl.

**NOTE:-** Parts referred to "Note 3" were used up to and including:  
 Parts referred to "Note 4" were used after the following serial nos:  
                     DG1-90,099,729                      F01-90,518,831  
                     DG2-91,187,593                      F02-91,508,581

**NOTE:-** Parts referred to "Note 5" were used up to and including:  
 Parts referred to "Note 6" were used after the following serial nos:  
                     DG1-90102039                      F01-90520746  
                     DG2-91188331                      F02-91509226  
                     DG4-93004932                      F04-93504419  
                     DG5-93252420                      F05-93751945  
                     DG6-94004597                      F06-94502989

Except - "Note 6" parts used on the following:  
                     F01-90520580-90 incl.  
                     F04-93504411-16 incl.  
                     F06-94502979-84 incl.

PART NAME	PART NO.	MODEL CODES											
		DG AND FO					DH AND FP						
		1	2	3	4	5	6	1	2	4	5	6	7
<b>GROUP 7-A FAN-BELTS-PULLEYS-VIBRATION DAMPER-SHROUD</b>													
<b>FAN BLADE</b>													
Assembly - - - - -	606133	1	1	..	..	..	..	1	1	..	..	..	..
Assembly - - - - -	1405845	..	..	1	1	1	1	..	..	1	1	..	..
Assembly - - - - -	1390776	..	..	..	..	..	..	..	..	..	..	1	1
Screw - - - - -	122007	4	4	..	..	..	..	4	4	..	..	..	..
Screw - - - - -	120228	..	..	4	4	4	4	..	..	..	..	..	..
Screw - - - - -	122017	..	..	..	..	..	..	..	..	4	4	4	4
Spacer - - - - -	920544	..	..	..	..	..	..	..	..	2	2	2	2
Lockwasher - - - - -	120214	4	4	4	4	4	4	..	..	..	..	..	..
<b>FAN AND GENERATOR BELT</b>													
Belt - with 1136931 - 1136934 gen. - - - -	1319430	1	1	..	..	..	..	1	1	..	..	..	..
Belt - exc. 1136931 - 1136934 gen. - - - -	1324963	1	1	..	..	..	..	1	1	..	..	..	..
Belt - with 1136931 gen. - - - - -	1116208	..	..	1	1	1	1	..	..	1	1	1	1
Belt - exc. 1136931 gen. - - - - -	1263790	..	..	1	1	1	1	..	..	1	1	1	1
<b>FAN PULLEY - AT FAN</b>													
Pulley - - - - -	1326981	1	1	..	..	..	..	1	1	..	..	..	..
Pulley - - - - -	670500	..	..	1	1	..	..	..	..	1	..	..	..
Pulley - - - - -	954047	..	..	..	..	1	1	..	..	..	1	1	1
Hub - - - - -	1121706	1	1	1	1	1	1	1	1	1	1	1	1
Pin - - - - -	† 136301	1	1	1	1	1	1	1	1	1	1	1	1
<b>FAN DRIVE PULLEY - AT CRANKSHAFT</b>													
Pulley - - - - -	1319422	1	1	..	..	..	..	1	1	..	..	..	..
Pulley - - - - -	1487137	..	..	1	1	1	1	..	..	1	1	..	..
Pulley - - - - -	1402105	..	..	..	..	..	..	..	..	..	..	1	1
Key - - - - -	52570	1	1	1	1	1	1	1	1	1	1	1	1

Indicates amount used as required.

† Indicates parts included in packages.

**GROUP 7-COOLING**

PART NAME	PART NO.	MODEL CODES										
		DG AND FO					DH AND FP					
		1	2	3	4	5	6	1	2	4	5	6
<b>GROUP 7-B FAN-BELTS-PULLEYS-VIBRATION DAMPER-SHROUD (CONT'D)</b>												
<b>Vibration Damper</b>												
Assembly - - - - -	1487131	..	..	..	..	..	..	..	..	..	1	1
Screw - flange- - - - -	861307	..	..	..	..	..	..	..	..	..	8	8
Lockwasher - - - - -	120382	..	..	..	..	..	..	..	..	..	8	8
<b>Fan Shroud</b>												
Assembly - - - - -	1272732	..	..	..	..	1	1	..	..	..	..	..
Assembly - - - - -	1391027	..	..	..	..	..	..	..	1	1	1	1
<b>GROUP 7-B RADIATOR CORE-CAP-HOSE</b>												
<b>Radiator Core</b>												
Assembly - - - - -	1273691	1	..	..	..	..	..	1	..	..	..	..
Assembly - - - - -	1273692	..	1	1	1	..	..	..	1	..	..	..
Assembly - - - - -	1272883	..	..	..	..	1	1	..	..	1	1	..
Assembly - - - - -	1390847	..	..	..	..	..	..	..	..	..	1	1
Drain cock- - - - -	103647	1	1	1	1	1	1	1	1	1	1	1
Screw - core to support- - - - -	123520	6	6	6	6	..	..	6	6	..	..	..
Screw - core to support- - - - -	120647	..	..	..	..	6	6	..	..	6	6	6
Lockwasher - - - - -	120382	6	6	6	6	6	6	6	6	6	6	6
Plainwasher- - - - -	120394	6	6	6	6	6	6	6	6	6	6	6
<b>Radiator Filler Cap</b>												
Assembly - - - - -	1243326	1	1	1	1	1	1	1	1	1	1	1
<b>Radiator Hose</b>												
Inlet hose - - - - -	1274494	1	1	1	1	1	1	1	1	1	1	1
Clamp - - - - -	151360	2	2	2	2	2	2	2	2	2	2	2
Outlet hose - upper - 3 3/4" of 396328 hose		*	*	*	*	*	*	*	*	*	*	*
Outlet hose - lower - 6 3/4" of 396328 hose		*	*	*	*	*	*	*	*	*	*	*
Clamp - - - - -	105479	4	4	4	4	4	4	4	4	4	4	4
Hose - 1 1/2" I.D. x 1 7/8" O.D. - 3 ft. length- - - - -	396328	*	*	*	*	*	*	*	*	*	*	*
<b>Radiator Outlet Tube - Metal</b>												
Tube - - - - -	854420	1	1	1	1	1	1	1	1	1	1	1
<b>GROUP 7-C RADIATOR GRILLE PANEL</b>												
<b>Radiator Grille Panel And Mouldings</b>												
Grille assembly- - - - -	1279883	1	1	1	1	1	1	..	..	..	..	..
Grille assembly- - - - -	1398604	..	..	..	..	..	..	1	1	1	1	1
Moulding assembly - lower - right (Note 1)	1279725	1	1	1	1	1	1	..	..	..	..	..
Moulding assembly - lower - left (Note 1)-	1279726	1	1	1	1	1	1	..	..	..	..	..
Moulding assembly - upper - right (Note 1)	1279729	1	1	1	1	1	1	..	..	..	..	..
Moulding assembly - upper - left (Note 1)-	1279730	1	1	1	1	1	1	..	..	..	..	..
Moulding assembly - centre - right (Note 2)	1396218	2	2	2	2	2	2	2	2	2	2	2
Moulding assembly - centre - left (Note 2)	1396219	2	2	2	2	2	2	2	2	2	2	2
Moulding assembly - lower outer - right (Note 2)- - - - -	1396224	1	1	1	1	1	1	1	1	1	1	1
Moulding assembly - lower outer - left (Note 2)- - - - -	1396225	1	1	1	1	1	1	1	1	1	1	1
Moulding assembly - upper outer - right (Note 2)- - - - -	1396230	1	1	1	1	1	1	1	1	1	1	1
Moulding assembly - upper outer - left (note 2)- - - - -	1396231	1	1	1	1	1	1	1	1	1	1	1
Screw assembly- - - - -	1279646	16	16	16	16	16	16	16	16	16	16	16
Nut - retainer - - - - -	657413	12	12	12	12	12	12	12	12	12	12	12
Nut - lower mounting - - - - -	1279103	4	4	4	4	4	4	4	4	4	4	4

Indicates amount used as required.

† Indicates parts included in packages.

GROUP 7-COOLING

PART NAME	PART NO.	MODEL CODES											
		DG AND FO					DH AND FP						
		1	2	3	4	5	6	1	2	4	5	6	7
<b>GROUP 7-C RADIATOR GRILLE PANEL (CONT'D)</b>													
<b>Radiator Grille Panel Support</b>													
Assembly - side - right- - - - -	1279913	1	1	1	1	1	1	1	1	1	1	1	1
Assembly - side - left - - - - -	1279914	1	1	1	1	1	1	1	1	1	1	1	1
W/Nut - - - - -	657413	14	14	14	14	14	14	14	14	14	14	14	14
Bolt - to core support - - - - -	120647	8	8	8	8	8	8	8	8	8	8	8	8
Lockwasher - - - - -	1093885	8	8	8	8	8	8	8	8	8	8	8	8
Assembly - lower - right - Note 5- - - - -	1280017	1	1	1	1	1	1	..	..	..	..	..	..
Assembly - lower - left - Note 5 - - - - -	1280018	1	1	1	1	1	1	..	..	..	..	..	..
Assembly - lower - right - Note 6- - - - -	1397588	1	1	..	1	1	1	1	1	1	1	1	1
Assembly - lower - left - Note 6 - - - - -	1397589	1	1	..	1	1	1	1	1	1	1	1	1
Screw - lower support to side support -	120741	8	8	8	8	8	8	8	8	8	8	8	8
Assembly - upper - - - - -	1280022	1	1	1	1	1	1	1	1	1	1	1	1
W/Nut - - - - -	657413	6	6	6	6	6	6	6	6	6	6	6	6
Screw - - - - -	120741	4	4	4	4	4	4	4	4	4	4	4	4
Bolt - to core support- - - - -	120647	2	2	2	2	2	2	2	2	2	2	2	2
Lockwasher - - - - -	1093885	2	2	2	2	2	2	2	2	2	2	2	2
Screw - upper support to side support -	123520	2	2	2	2	2	2	2	2	2	2	2	2
Nut - - - - -	120369	2	2	2	2	2	2	2	2	2	2	2	2
Lockwasher - - - - -	120382	2	2	2	2	2	2	2	2	2	2	2	2
<b>Radiator Grille Panel Baffle</b>													
Assembly - lower - - - - -	1280027	1	1	1	1	1	1	1	1	1	1	1	1
Screw - - - - -	120741	4	4	4	4	4	4	4	4	4	4	4	4
Nut - - - - -	148232	2	2	2	2	2	2	2	2	2	2	2	2
Screw - baffle extension to baffle- - -	120741	2	2	2	2	2	2	2	2	2	2	2	2
Nut - - - - -	1277359	4	4	4	4	4	4	4	4	4	4	4	4
Screw - to side support - - - - -	120741	2	2	2	2	2	2	2	2	2	2	2	2
<b>Radiator Grille Panel Name Plate</b>													
Assembly - Dodge - - - - -	1278989	1	1	1	1	1	1	..	..	..	..	..	..
Assembly - Dodge - - - - -	1397987	..	..	..	..	..	..	1	1	1	1	1	1
Assembly - Fargo - - - - -	1278991	1	1	1	1	1	1	..	..	..	..	..	..
Assembly - Fargo - - - - -	1397989	..	..	..	..	..	..	1	1	1	1	1	1
Assembly - Desoto- - - - -	1278993	1	1	1	1	1	1	..	..	..	..	..	..
Assembly - Desoto- - - - -	1397991	..	..	..	..	..	..	1	1	1	1	1	1
Nut - - - - -	121743	3	3	3	3	3	3	3	3	3	3	3	3
Lockwasher - - - - -	1097901	3	3	3	3	3	3	3	3	3	3	3	3
Medallion - Dodge- - - - -	1278682	1	1	1	1	1	1	1	1	1	1	1	1
Medallion - Fargo- - - - -	1278683	1	1	1	1	1	1	1	1	1	1	1	1
Medallion - Desoto - - - - -	1278684	1	1	1	1	1	1	1	1	1	1	1	1
Screw assembly- - - - -	1279490	3	3	3	3	3	3	3	3	3	3	3	3
Nut - - - - -	1277359	3	3	3	3	3	3	3	3	3	3	3	3
<b>Radiator Support</b>													
Assembly - Note 3- - - - -	1272183	1	1	1	1	1	1	..	..	1	1	1	1
Assembly - Note 4- - - - -	1394756	1	1	..	..	..	..	1	1	..	..	..	..
Bolt - Note 3 - - - - -	124244	2	2	2	2	2	2	..	..	2	2	2	2
Bolt - Note 4 - - - - -	660378	2	2	..	..	..	..	2	2	..	..	..	..
Nut - Note 3 - - - - -	121358	2	2	2	2	2	2	..	..	2	2	2	2
Nut - Note 4 - - - - -	120371	2	2	..	..	..	..	2	2	..	..	..	..
Plainwasher - Note 3 - - - - -	131016	2	2	2	2	2	2	..	..	2	2	2	2
Plainwasher - Note 4 - - - - -	120390	..	..	..	..	..	..	2	2	..	..	..	..
Lockwasher - Note 3- - - - -	121574	2	2	2	2	2	2	..	..	2	2	2	2
Lockwasher - Note 4- - - - -	120384	2	2	..	..	..	..	2	2	..	..	..	..
Clinch nut- - - - -	657415	18	18	18	18	18	18	18	18	18	18	18	18
<b>GROUP 7-D WATER PUMP</b>													
<b>Water Pump</b>													
Assembly - package - - - - -	1106455	1	1	1	1	1	1	1	1	1	1	1	1
Gasket - to block - - - - -	†1326325	1	1	1	1	1	1	1	1	1	1	1	1
Screw - short - - - - -	122181	2	2	2	2	2	2	2	2	2	2	2	2

Indicates amount used as required.

† Indicates parts included in packages.

**GROUP 7 - COOLING**

PART NAME	PART NO.	MODEL CODES											
		DG AND FO					DH AND FP						
		1	2	3	4	5	6	1	2	4	5	6	7
<b>GROUP 7-D WATER PUMP (CONT'D)</b>													
<b>Water Pump (Cont'd)</b>													
Screw - long - - - - -	189301	1	1	1	1	1	1	1	1	1	1	1	1
Lockwasher - - - - -	120382	3	3	3	3	3	3	3	3	3	3	3	3
Plug - body - - - - -	112304	1	1	1	1	1	1	1	1	1	1	1	1
Grease nipple - seal - straight - - - - -	111595	1	1	1	1	1	1	1	1	1	1	1	1
Grease nipple - bearing - angle - - - - -	† 110308	1	1	1	1	1	1	1	1	1	1	1	1
Cover plate - body- - - - -	1326323	1	1	1	1	1	1	1	1	1	1	1	1
Gasket - - - - -	†1326324	1	1	1	1	1	1	1	1	1	1	1	1
Screw - - - - -	121900	3	3	3	3	3	3	3	3	3	3	3	3
Screw- - - - -	120583	1	1	1	1	1	1	1	1	1	1	1	1
Washer - - - - -	† 51019	1	1	1	1	1	1	1	1	1	1	1	1
Lock spring - shaft and bearing - - - - -	† 678630	1	1	1	1	1	1	1	1	1	1	1	1
Water thrower - shaft and bearing - - - - -	† 676564	1	1	1	1	1	1	1	1	1	1	1	1
Retaining washer - - - - -	† 867409	1	1	1	1	1	1	1	1	1	1	1	1
Lock ring- - - - -	† 600811	1	1	1	1	1	1	1	1	1	1	1	1
<b>Water Pump Shaft And Bearing Package</b>													
Package - - - - -	† 951335	1	1	1	1	1	1	1	1	1	1	1	1
<b>Water Pump Repair Package</b>													
Package- - - - -	†1106456	1	1	1	1	1	1	1	1	1	1	1	1
<b>Water Pump Seal Package</b>													
Package- - - - -	†1243631	1	1	1	1	1	1	1	1	1	1	1	1
<b>GROUP 7-E TEMPERATURE GAUGE AND THERMOSTAT</b>													
<b>Temperature Gauge</b>													
Assembly - with flat face cowl - - - - -	1272348	1	1	1	1	1	1	..	..	..	..	..	..
Assembly - except flat face cowl - - - - -	1271230	1	1	1	1	1	1	..	..	..	..	..	..
Assembly - (centigrade) - with flat face cowl- - - - -	1272350	1	1	1	1	1	1	..	..	..	..	..	..
Assembly - (centigrade) - except flat face cowl- - - - -	1272356	1	1	1	1	1	1	..	..	..	..	..	..
Assembly - with flat face cowl - - - - -	1502681	..	..	..	..	..	..	1	1	1	1	1	1
Assembly - except flat face cowl - - - - -	1502675	..	..	..	..	..	..	1	1	1	1	1	1
Gland nut - - - - -	50291	1	1	1	1	1	1	1	1	1	1	1	1
<b>Thermostat</b>													
Thermostat - 160° - - - - -	650048	1	1	1	1	1	1	1	1	1	1	1	1
Thermostat - with high boiling point anti-freeze - 180° - - - - -	852780	1	1	1	1	1	1	1	1	1	1	1	1

**NOTES:**

---



---



---



---



---



---



---



---



---

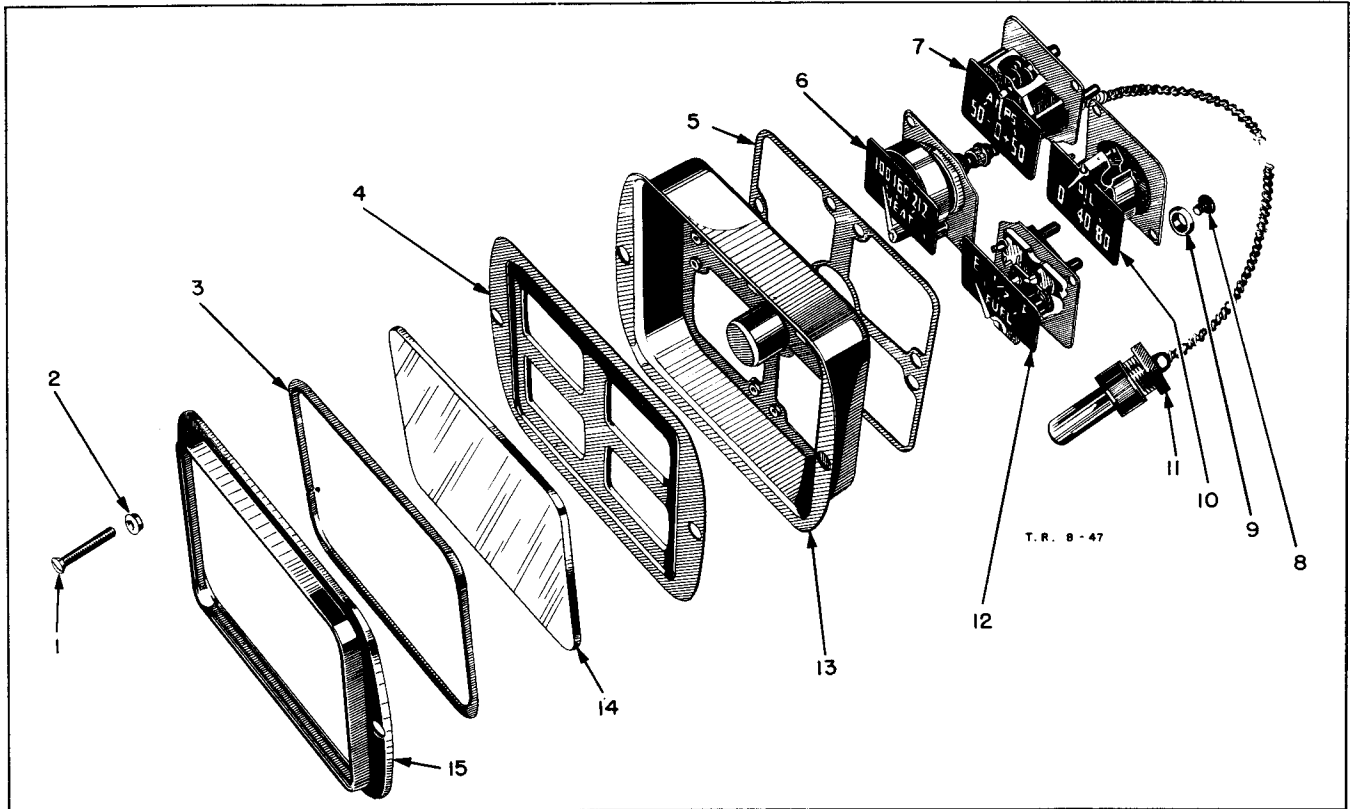


---

Indicates amount used as required.

† Indicates parts included in packages.

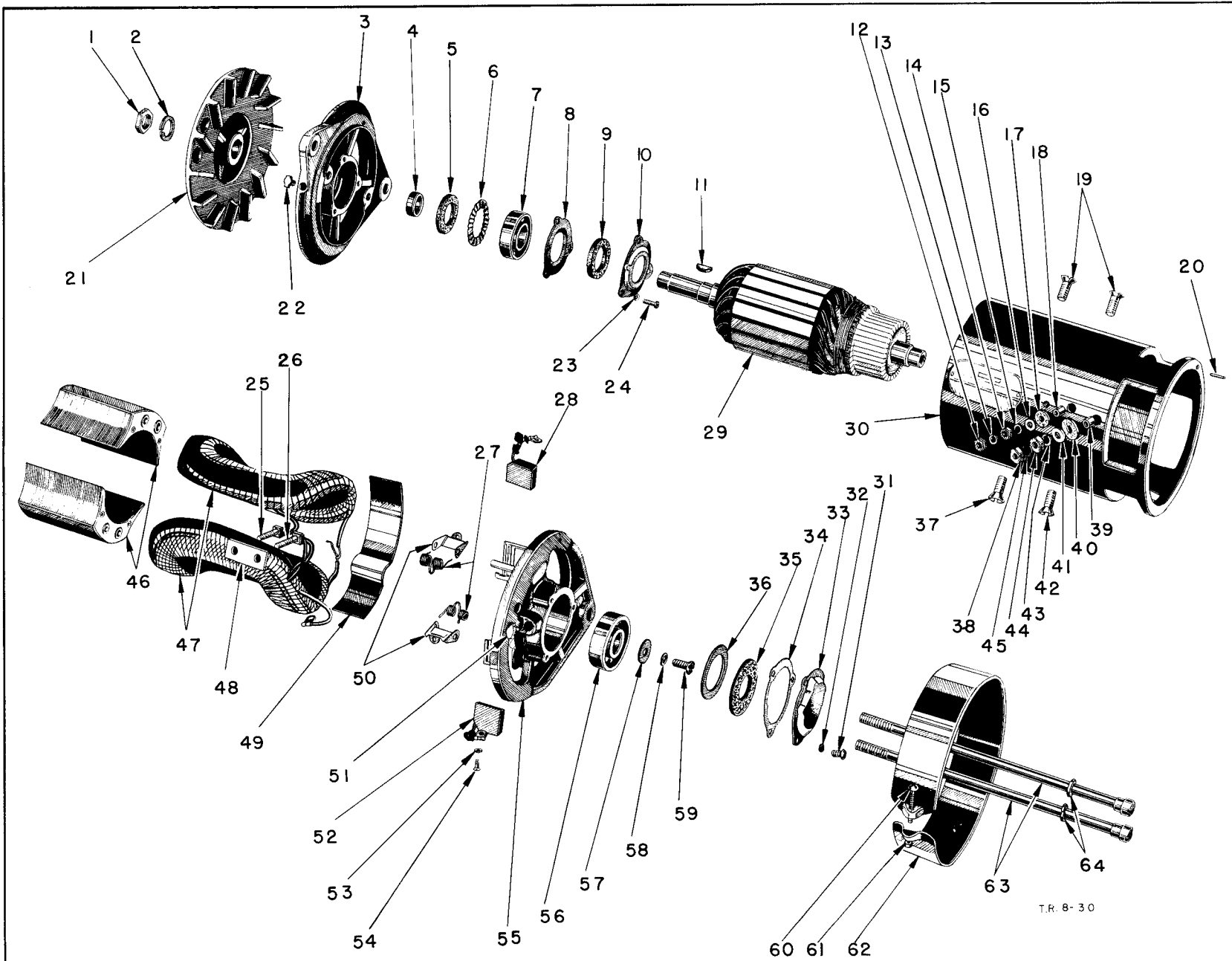
INSTRUMENTS



Ref. No.	Part Name	Group
1	Instrument bezel screw.....	8-G
2	Instrument bezel screw eyelet.....	8-G
3	Instrument bezel gasket.....	8-G
4	Instrument plate.....	8-G
5	Instrument housing gasket.....	8-G
6	Temperature gauge assy.....	7-E
7	Ammeter assy.....	8-H
8	Instrument screw.....	8-G

Ref. No.	Part Name	Group
9	Instrument screw.....	8-G
10	Oil gauge assy.....	10-B
11	Gland nut.....	7-E
12	Fuel gauge assy.....	14-G
13	Instrument housing.....	8-G
14	Instrument lens.....	8-G
15	Instrument bezel.....	8-G





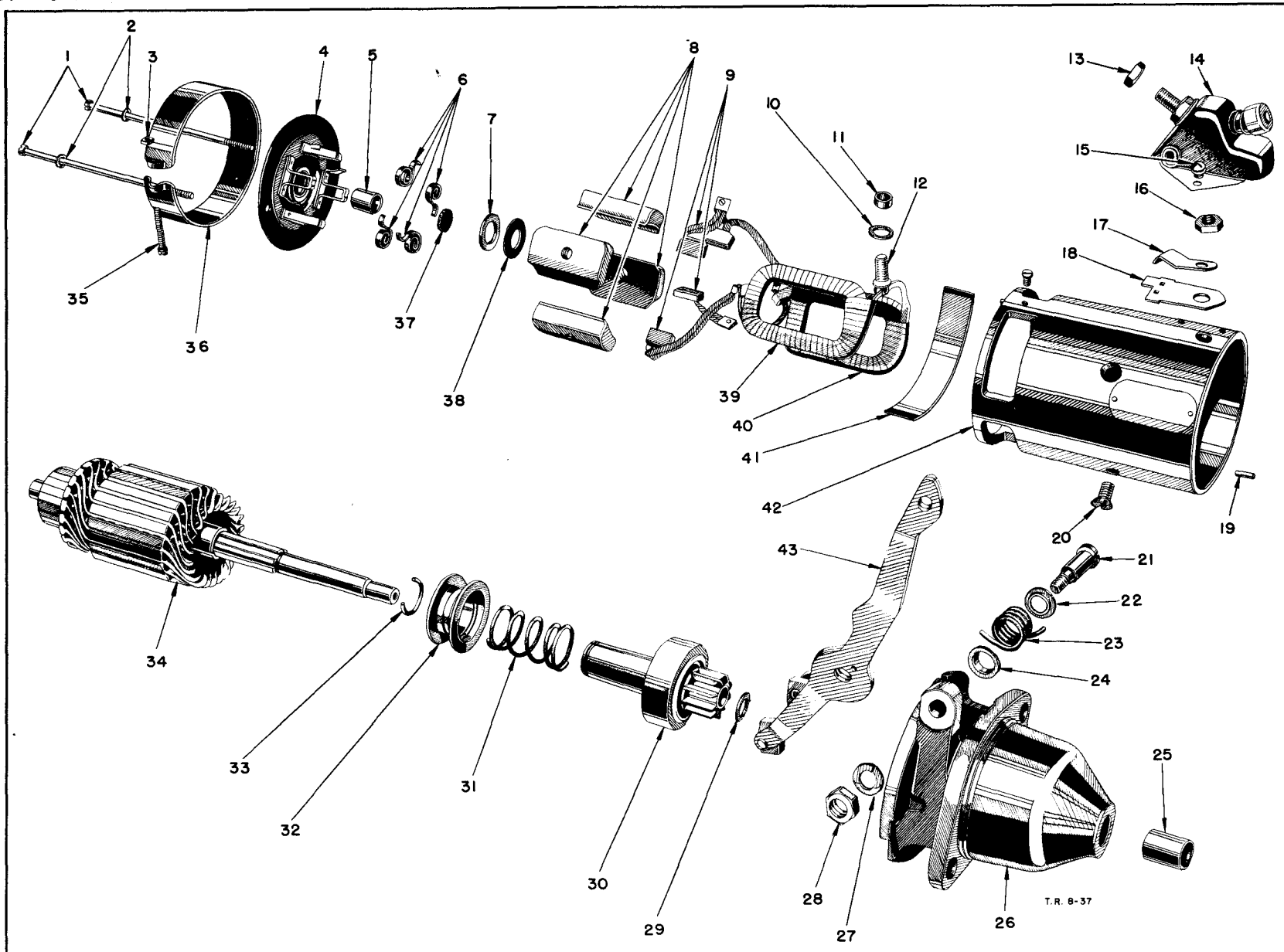
T.R. 8-30

GENERATOR (Cont'd)

Plate 26 (Cont'd)

Ref. No.	Part Name	Group	Ref. No.	Part Name	Group
1	Armature shaft nut .....	8-B	33	Commutator end cover .....	8-B
2	Armature shaft nut lockwasher .....	8-B	34	Commutator end cover gasket .....	8-B
3	Drive end head assembly .....	8-B	35	Commutator end felt washer .....	8-B
4	Drive end felt washer retainer-out .....	8-B	36	Commutator end felt plainwasher .....	8-B
5	Drive end felt washer .....	8-B	37	Pole piece screw .....	8-B
6	Drive end ball bearing retainer gasket .....	8-B	38	Field terminal nut - armature .....	8-B
7	Drive end ball bearing .....	8-B	39	Field terminal insulating bushing-armature .....	8-B
8	Drive end felt washer retainer-inner .....	8-B	40	Field terminal insulating washer - armature .....	8-B
9	Drive end felt washer .....	8-B	41	Field terminal nut plainwasher-armature .....	8-B
10	Drive end ball bearing retainer .....	8-B	42	Pole piece screw .....	8-B
11	Armature drive pulley woodruff key .....	8-B	43	Field terminal nut lockwasher - armature .....	8-B
12	Field terminal nut - armature .....	8-B	44	Field terminal nut - armature .....	8-B
13	Field terminal nut - lockwasher .....	8-B	45	Field terminal nut lockwasher - armature .....	8-B
14	Field terminal nut .....	8-B	46	Pole piece .....	8-B
15	Field terminal nut lockwasher .....	8-B	47	Field coils .....	8-B
16	Field terminal nut plainwasher .....	8-B	48	Field terminal stud insulation .....	8-B
17	Field terminal insulating washer .....	8-B	49	Frame field connection insulation .....	8-B
18	Field terminal insulating bushing .....	8-B	50	Brush arm .....	8-B
19	Pole piece screw .....	8-B	51	Commutator end oiler .....	8-B
20	Frame and field dowel pin .....	8-B	52	Brush set .....	8-B
21	Pulley .....	8-B	53	Brush lead screw lockwasher .....	8-B
22	Drive end oiler .....	8-B	54	Brush lead screw .....	8-B
23	Drive end ball bearing retainer lockwasher .....	8-B	55	Commutator end head assembly .....	8-B
24	Drive end ball bearing retainer screw .....	8-B	56	Commutator end bearing .....	8-B
25	Field terminal stud .....	8-B	57	Commutator end brg. retaining washer .....	8-B
26	Armature terminal stud .....	8-B	58	Commutator end brg. retainer lockwasher .....	8-B
27	Brush spring .....	8-B	59	Commutator end brg. retainer screw .....	8-B
28	Brush set .....	8-B	60	Cover band screw .....	8-B
29	Armature assembly .....	8-B	61	Cover band screw nut .....	8-B
30	Frame assembly (not serviced) .....	8-B	62	Cover band .....	8-B
31	Commutator end cover screw .....	8-B	63	Frame through bolt .....	8-B
32	Commutator end cover lockwasher .....	8-B	64	Frame through bolt lockwasher .....	8-B

GROUP 8 - ELECTRICAL

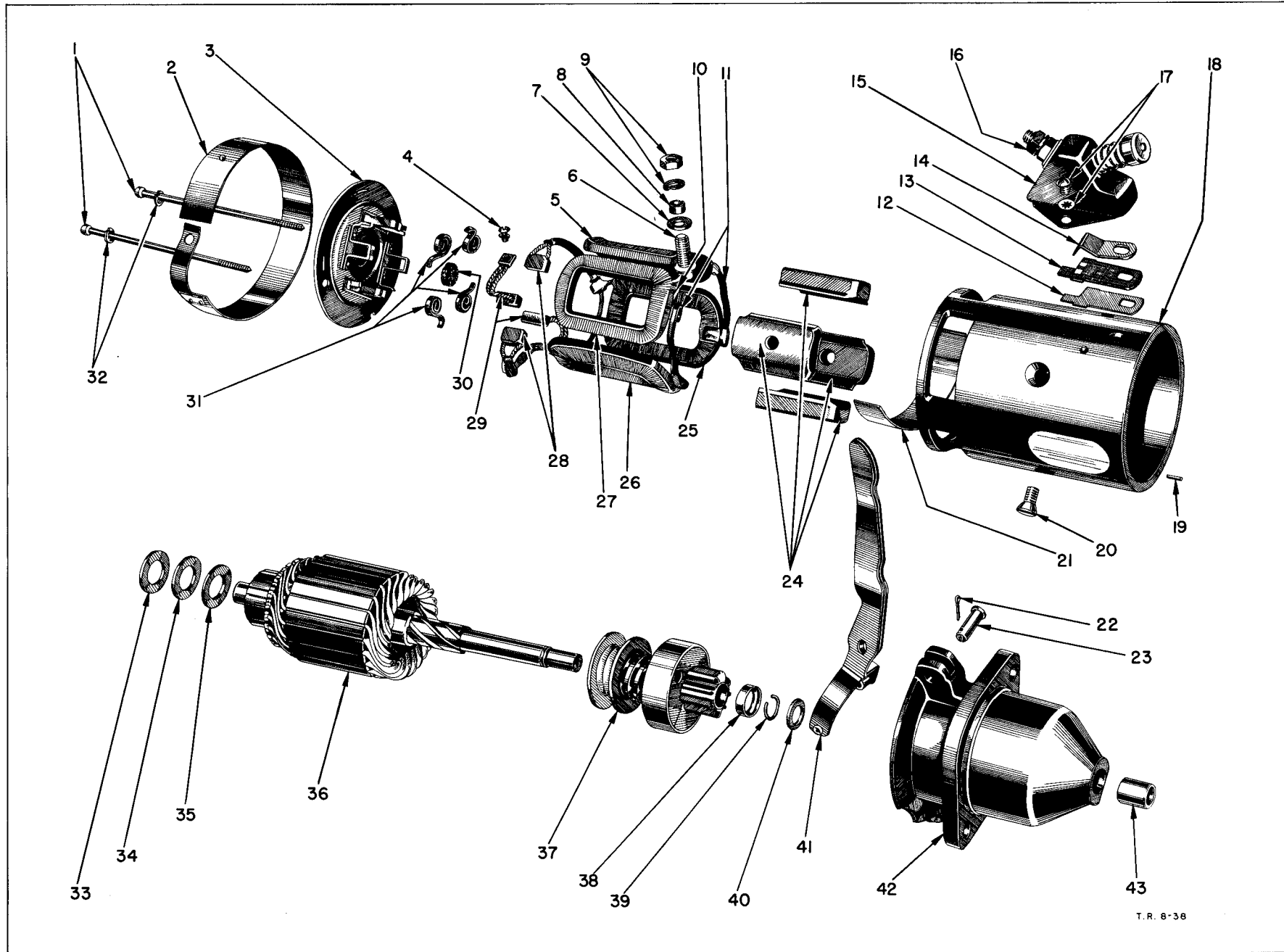


STARTER (Cont'd)

Plate 27 (Cont'd)

Ref. No.	Part Name	Group	Ref. No.	Part Name	Group
1	Starter frame thru bolt .....	8-D	23	Yoke spring .....	8-D
2	Thru bolt lockwasher .....	8-D	24	Yoke spring retainer .....	8-D
3	Cover band screw nut .....	8-D	25	Pinion housing bearing .....	8-D
4	Commutator end head assembly .....	8-D	26	Pinion housing .....	8-D
5	Head bushing (service in head assembly) .....	8-D	27	Yoke pin nut lockwasher .....	8-D
6	Brush springs .....	8-D	28	Yoke pin nut .....	8-D
7	Commutator end thrust washer .....	8-D	29	Pinion thrust washer .....	8-D
8	Pole piece (service in starter assembly) .....	8-D	30	Starter clutch assembly .....	8-D
9	Brush set .....	8-D	31	Clutch spring (service in clutch assy.) .....	8-D
10	Terminal stud washer .....	8-D	32	Clutch sleeve (service in clutch assy.) .....	8-D
11	Terminal stud bushing .....	8-D	33	Clutch snap ring (service in clutch assy.) .....	8-D
12	Terminal stud .....	8-D	34	Starter armature assembly .....	8-D
13	Starter cable terminal nut .....	8-D	35	Cover band screw .....	8-D
14	Starter switch .....	8-D	36	Cover band .....	8-D
15	Switch mounting screw .....	8-D	37	Commutator end felt wick .....	8-D
16	Terminal stud nut .....	8-D	38	Commutator end thrust washer .....	8-D
17	Starter switch contact .....	8-D	39	Starter field coil - left .....	8-D
18	Contact insulating block .....	8-D	40	Starter field coil - right .....	8-D
19	Starter frame dowel pin .....	8-D	41	Field connection insulation .....	8-D
20	Pole piece screw .....	8-D	42	Starter frame (service in starter assy.) .....	8-D
21	Starter yoke pin .....	8-D	43	Starter yoke .....	8-D
22	Yoke spring retainer .....	8-D			

GROUP 8 - ELECTRICAL



STARTER

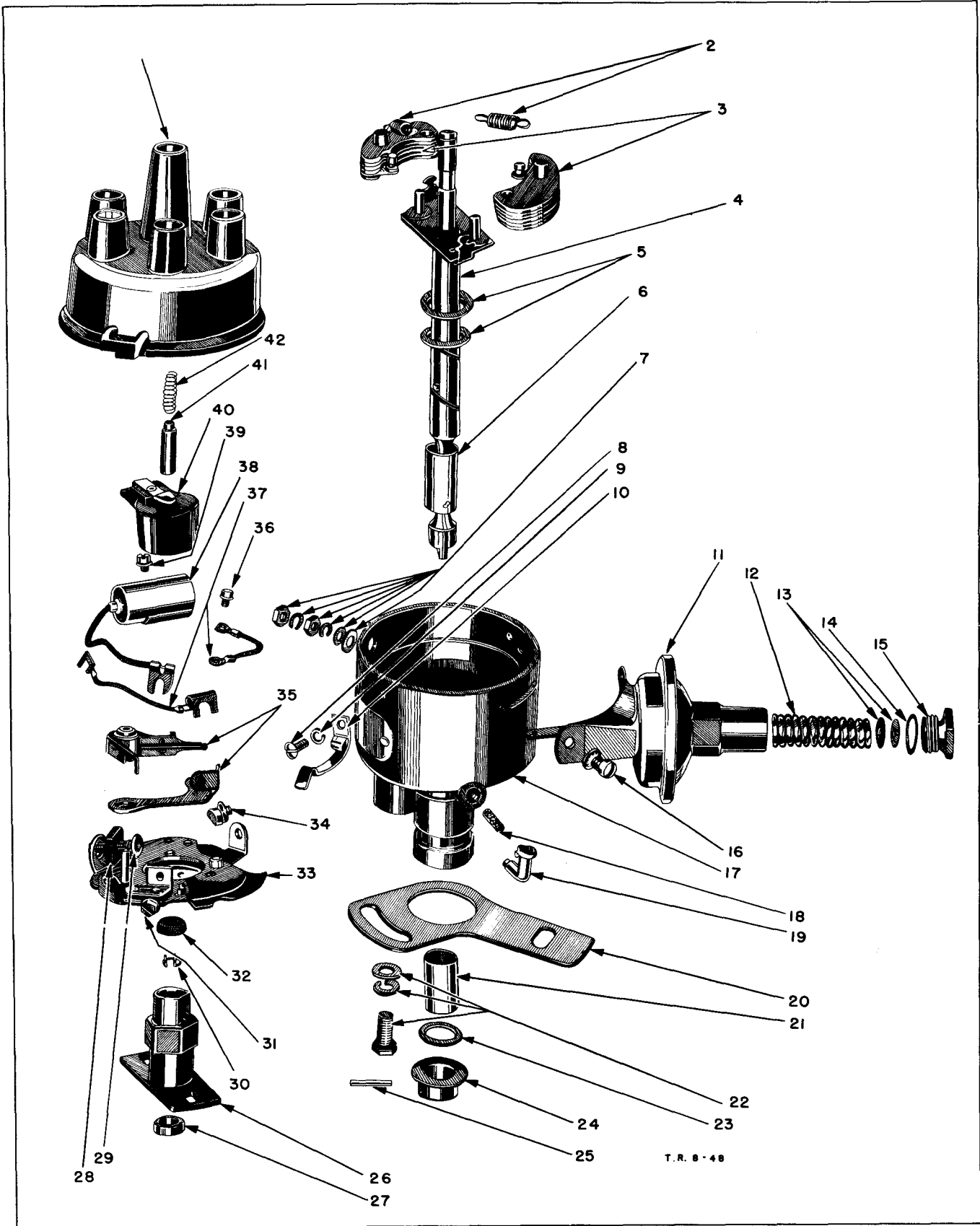
Plate 28 (Cont'd)

Ref. No.	Part Name	Group
1	Starter frame thru bolt.....	8-D
2	Cover band.....	8-D
3	Commutator end head assembly.....	8-D
4	Brush set screw and washer.....	8-D
5	Field coil - upper right.....	8-D
6	Terminal stud.....	8-D
7	Terminal stud bushing.....	8-D
8	Terminal stud bushing.....	8-D
9	Terminal stud nut and lockwasher.....	8-D
10	Field coil equalizer.....	8-D
11	Field coil connector.....	8-D
12	Switch insulating block.....	8-D
13	Contact insulating block.....	8-D
14	Starter switch contact.....	8-D
15	Starter switch.....	8-D
16	Starter cable terminal nut.....	8-D
17	Switch mounting screw.....	8-D
18	Starter frame (Service In Starter Assembly).....	8-D
19	Starter frame dowel pin.....	8-D
20	Pole piece screw.....	8-D
21	Field connection insulation.....	8-D
22	Starter yoke cotter pin.....	8-D

Ref. No.	Part Name	Group
23	Starter yoke pin.....	8-D
24	Pole piece (Service In Starter Assembly).....	8-D
25	Field coil - lower right.....	8-D
26	Field coil - lower left.....	8-D
27	Field coil - upper left.....	8-D
28	Starter motor brush.....	8-D
29	Starter motor brush set.....	8-D
30	Commutator end felt wick.....	8-D
31	Brush spring.....	8-D
32	Thru bolt lockwasher.....	8-D
33	Drive end washer.....	8-D
34	Armature shaft spacer.....	8-D
35	Armature thrust washer.....	8-D
36	Starter armature assembly.....	8-D
37	Clutch sleeve (Serv. in clutch assembly).....	8-D
38	Clutch retainer.....	8-D
39	Clutch snap ring.....	8-D
40	Armature thrust washer.....	8-D
41	Starter yoke.....	8-D
42	Pinion housing.....	8-D
43	Pinion housing bearing.....	8-D

GROUP 8 - ELECTRICAL

DISTRIBUTOR (6 CYLINDER)



T.R. 8-48

## DISTRIBUTOR (6 CYLINDER) (Cont'd)

Ref. No.	Part Name	Group
1	Distributor Cap.....	8-E
2	Governor weight spring set.....	8-E
3	Governor weight.....	8-E
4	Drive shaft.....	8-E
5	Thrust washer - upper.....	8-E
6	Base bearing.....	8-E
7	Nuts and washers.....	8-E
8	Cap clamp screw.....	8-E
9	Cap clamp screw 1/washer.....	8-E
10	Cap spring clamp.....	8-E
11	Vacuum chamber.....	8-E
12	Vacuum chamber spring.....	8-E
13	Vacuum chamber tension washers.....	8-E
14	Vacuum chamber plug gasket.....	8-E
15	Vacuum chamber plug.....	8-E
16	Vacuum chamber screw and 1/washer.....	8-E
17	Base assy.....	8-E
18	Base felt wick.....	8-E
19	Base oiler assy.....	8-E
20	Advance arm.....	8-E
21	Base bearing.....	8-E
22	Advance arm screw and washer.....	8-E
23	Drive shaft thrust washer - lower.....	8-E
24	Drive shaft collar.....	8-E
25	Drive shaft collar rivet.....	8-E
26	Drive shaft cam and stop plate.....	8-E
27	Cam and stop plate spacer.....	8-E
28	Terminal stud insulation.....	8-E
29	Terminal stud.....	8-E
30	Cam retaining snap ring.....	8-E
31	Lead screw and washer.....	8-E
32	Cam sleeve felt wick.....	8-E
33	Breaker plate assy.....	8-E
34	Breaker plate attaching screw and washer.....	8-E
35	Breaker point set.....	8-E
36	Lead screw and washer.....	8-E
37	Lead assy.....	8-E
38	Condenser.....	8-E
39	Condenser screw and washer.....	8-E
40	Rotor.....	8-E
41	Cap contact plunger.....	8-E
42	Cap contact plunger spring.....	8-E



**GROUP 8 - ELECTRICAL**

Note- Parts referred to "Note 1" were used up to and including:  
 Parts referred to "Note 2" were used after the following Engine Serial Nos. :

T 307 (L.H.D.) - 8179 C  
 T 311 (L.H.D.) - 3763 C  
 TX315 (L.H.D.) - 1805 C  
 T 317 (L.H.D.) - 1908 C  
 T 319 (L.H.D.) - 2817 C

T 307 (R.H.D.) - 7740 C  
 T 311 (R.H.D.) - 3580 C  
 T 315 (R.H.D.) - 1001 C

PART NAME	PART NO.	MODEL CODES											
		DG AND FO					DH AND FP						
		1	2	3	4	5	6	1	2	4	5	6	7
<b>GROUP 8-A HORN</b>													
<b>Horn</b>													
Assembly - - - - -	1194602	1	1	1	1	1	1	1	1	1	1	1	1
Bolt - mounting - - - - -	123461	2	2	2	2	2	2	2	2	2	2	2	2
Lockwasher - - - - -	120380	2	2	2	2	2	2	2	2	2	2	2	2
Nut terminal- - - - -	120614	2	2	2	2	2	2	2	2	2	2	2	2
Lockwasher - - - - -	138479	2	2	2	2	2	2	2	2	2	2	2	2
Bracket- - - - -	1260750	1	1	1	1	1	1	1	1	1	1	1	1
Lamination - mounting- - - - -	688007	3	3	3	3	3	3	3	3	3	3	3	3
Mounting lamination plate assembly - - - - -	852007	1	1	1	1	1	1	1	1	1	1	1	1
Plate - - - - -	683365	1	1	1	1	1	1	1	1	1	1	1	1
Spacer - - - - -	1089626	2	2	2	2	2	2	2	2	2	2	2	2
Nut- - - - -	120367	2	2	2	2	2	2	2	2	2	2	2	2
Lockwasher - - - - -	120380	2	2	2	2	2	2	2	2	2	2	2	2
<b>Horn - Dual Mounted</b>													
Assembly - high note - left- - - - -	1241033	1	1	1	1	1	1	1	1	1	1	1	1
Assembly - low note - right- - - - -	1241032	1	1	1	1	1	1	1	1	1	1	1	1
Bolt - mounting - - - - -	123461	2	2	2	2	2	2	2	2	2	2	2	2
Lockwasher - - - - -	120380	2	2	2	2	2	2	2	2	2	2	2	2
Screw - terminal- - - - -	121832	2	2	2	2	2	2	2	2	2	2	2	2
Lockwasher - - - - -	138530	2	2	2	2	2	2	2	2	2	2	2	2
Bracket - mounting - - - - -	1268154	1	1	1	1	1	1	1	1	1	1	1	1
Support - - - - -	1272312	1	1	1	1	1	1	1	1	1	1	1	1
Bolt - - - - -	123316	4	4	4	4	4	4	4	4	4	4	4	4
Lockwasher - - - - -	120380	2	2	2	2	2	2	2	2	2	2	2	2
Mounting lamination plate assembly - - - - -	852007	2	2	2	2	2	2	2	2	2	2	2	2
Plate - - - - -	683365	1	1	1	1	1	1	1	1	1	1	1	1
Lamination- - - - -	688007	6	6	6	6	6	6	6	6	6	6	6	6
Spacer - - - - -	1089626	4	4	4	4	4	4	4	4	4	4	4	4
Nut- - - - -	120367	4	4	4	4	4	4	4	4	4	4	4	4
Lockwasher - - - - -	120380	4	4	4	4	4	4	4	4	4	4	4	4
<b>Horn Relay</b>													
Assembly - - - - -	1113099	1	1	1	1	1	1	1	1	1	1	1	1
Screw - terminal- - - - -	122159	3	3	3	3	3	3	3	3	3	3	3	3
Washer - - - - -	300934	3	3	3	3	3	3	3	3	3	3	3	3
Screw - mounting- - - - -	929054	2	2	2	2	2	2	2	2	2	2	2	2
Cable - feed - specify length required- -	385571	*	*	*	*	*	*	*	*	*	*	*	*
<b>Horn Button</b>													
See group 19-H Steering Wheel													

Indicates amount used as required.

† Indicates parts included in packages.

# GROUP 8 - ELECTRICAL

PART NAME	PART NO.	MODEL CODES									
		DG AND FO					DH AND FP				
		1	2	3	4	5	6	1	2	4	5
<b>GROUP 8-B GENERATOR</b>											
<b>Generator</b>											

**Special Note:-** On all generator name plates is found the stamped part number of the generator assembly complete, - which includes the generator and generator pulley. This part number is not serviced, since the generator and pulley are serviced separately, and their respective Part Numbers are found in their respective groups in the parts book. To facilitate identifying and ordering the required generator or pulley, use the chart shown below, where opposite the generator assembly complete, is shown the service generator and pulley.

Generator Assembly Complete - (Not Serviced)	Generator Assembly	Generator Pulley
1194649	1194650	1319443
1194652	1194650	1194599
1343236	1257392	1345973
1263975	1257392	1264943
1343235	1136934	1320117
1263563	1136934	1194599
1343233	1136931	1320116
1263487	1136931	1263488

Assembly - 32 amps - low speed cut-in- - -	1194650	1	1	1	1	1	1	1	1	1	1	1	1	1	1
Assembly - 40 amps - standard- - - - -	1257392	1	1	1	1	1	1	1	1	1	1	1	1	1	1
Assembly - 50 amps - normal cut-in - - -	1136934	1	1	1	1	1	1	1	1	1	1	1	1	1	1
Assembly - 55 amps - early cut-in- - - -	1136931	1	1	1	1	1	1	1	1	1	1	1	1	1	1
<b>Generator Mounting Bracket</b>															
Bracket - use with 1257392 gen.- - - - -	667751	1	1	1	1	1	1	1	1	1	1	1	1	1	1
Bracket - use with 1194650 - 1136934 gen.-	859228	1	1	1	1	1	1	1	1	1	1	1	1	1	1
Bracket - use with 1136931 gen.- - - - -	1117247	1	1	1	1	1	1	1	1	1	1	1	1	1	1
Screw - - - - -	122253	2	2	2	2	2	2	2	2	2	2	2	2	2	2
Lockwasher - - - - -	120383	2	2	2	2	2	2	2	2	2	2	2	2	2	2
Bolt - mounting - exc. 1136931 gen.- - -	123774	2	2	2	2	2	2	2	2	2	2	2	2	2	2
Nut - - - - -	120368	2	2	2	2	2	2	2	2	2	2	2	2	2	2
Lockwasher - - - - -	120214	2	2	2	2	2	2	2	2	2	2	2	2	2	2
Bolt - mounting - with 1136931 gen.- - -	123852	2	2	2	2	2	2	2	2	2	2	2	2	2	2
Nut - - - - -	120370	2	2	2	2	2	2	2	2	2	2	2	2	2	2
Lockwasher - - - - -	120383	2	2	2	2	2	2	2	2	2	2	2	2	2	2
<b>Generator Adjusting Strap</b>															
Strap - use with 1257392 - 1136931 gen.- -	1270658	1	1	..	..	..	..	1	1	..	..	..	..	..	..
Strap - use with 1194650 - 1136934 gen.- -	582589	1	1	1	1	1	1	1	1	1	1	1	1	1	1
Strap - use with 1257392 gen.- - - - -	582589	..	..	1	1	1	1	..	..	1	1	1	1	1	1
Strap - use with 1136931 gen.- - - - -	1117245	..	..	1	1	1	1	..	..	1	1	1	1	1	1
Screw - exc. 1136931 gen. - - - - -	122007	1	1	1	1	1	1	1	1	1	1	1	1	1	1
Screw - exc. 1136931 gen. - - - - -	122017	..	..	1	1	1	1	..	..	1	1	1	1	1	1
Plainwasher- - - - -	1123372	1	1	1	1	1	1	1	1	1	1	1	1	1	1
Lockwasher - - - - -	138485	1	1	..	..	..	..	1	1	..	..	..	..	..	..
Lockwasher - - - - -	120214	..	..	1	1	1	1	..	..	1	1	1	1	1	1
Screw - with 1136931 gen. - - - - -	122126	1	1	1	1	1	1	1	1	1	1	1	1	1	1
Plainwasher- - - - -	120394	1	1	1	1	1	1	1	1	1	1	1	1	1	1
Lockwasher - - - - -	120382	1	1	1	1	1	1	1	1	1	1	1	1	1	1
<b>Generator Regulator</b>															
Assembly - use with 1136934 gen. - - - - -	1343574	1	1	1	1	1	1	1	1	1	1	1	1	1	1
Assembly - use with 1257392 gen. - - - - -	1343573	1	1	1	1	1	1	1	1	1	1	1	1	1	1
Assembly - use with 1194650 gen. - - - - -	1195738	1	1	1	1	1	1	1	1	1	1	1	1	1	1
Assembly - use with 1136931 gen. - - - - -	1343122	1	1	1	1	1	1	1	1	1	1	1	1	1	1
Screw - mounting- - - - -	121900	3	3	3	3	3	3	3	3	3	3	3	3	3	3
Screw - mounting- - - - -	132900	3	3	3	3	3	3	3	3	3	3	3	3	3	3
Clamp - terminal screw- - - - -	1440350	3	3	3	3	3	3	3	3	3	3	3	3	3	3

Indicates amount used as required.

† Indicates parts included in packages.

**GROUP 8 - ELECTRICAL**

PART NAME	PART NO.	MODEL CODES										
		DG AND FO					DH AND FP					
		1	2	3	4	5	6	1	2	4	5	6
<b>GROUP 8-B GENERATOR - (Cont'd)</b>												
<b>Generator Pulley</b>												
Pulley - with 1257392 gen. - - - - -	1345973	1	1	..	..	..	1	1	..	..	..	..
Pulley - with 1257392 gen. - - - - -	1264943	..	..	1	1	1	1	..	..	1	1	1
Pulley - with 1194650 gen. - - - - -	1319443	1	1	..	..	..	1	1	..	..	..	..
Pulley - with 1136934 gen. - - - - -	1320117	1	1	..	..	..	1	1	..	..	..	..
Pulley - with 1194650 - 1136934 gen. - - -	1194599	..	..	1	1	1	1	..	..	1	1	1
Pulley - with 1136931 gen. - - - - -	1320116	1	1	..	..	..	1	1	..	..	..	..
Pulley - with 1136931 gen. - - - - -	1263488	..	..	1	1	1	1	..	..	1	1	1

GENERATOR COMPONENT PARTS	QTY.	1194650 Assy.	1257392 Assy.	1136934 Assy.	1136931 Assy.
<b>Generator Armature</b>					
Assembly - - - - -	1	860922	1266499	1253360	1253337
Drive pulley woodruff key - - - - -	1	106750	124545	106750	103906
Felt washer retainer- - - - -	1	---	636810	636810	659502
Shaftnut - - - - -	1	40654	40654	40654	40654
Lockwasher- - - - -	1	625948	625948	625948	625948
Shaft spacer - - - - -	1	1089573	---	1345348	1253336
Snap ring- - - - -	1	---	648392	648392	---
Terminal insulating bushing- - - - -	1	683358	---	---	960162
Terminal nut - - - - -	*	43761	43761	43761	43761
Lockwasher- - - - -	*	120380	131098	120380	120380
Plainwasher - - - - -	*	120392	120387	120387	120392
Terminal stud- - - - -	1	958354	1253349	1253349	958354
Terminal insulating washer - - - - -	1	671477	1138481	1138481	671477
Terminal insulating washer-outer - - - - -	1	916587	---	---	---
<b>Generator Brush</b>					
Brush- - - - -	2	---	1253334	1253354	1253334
Brush set- - - - -	1	677175	1253367	1253367	1253341
Arm - commutator end head brush- - - - -	2	674936	673014	673014	674936
Spring - - - - -	2	674935	671490	671490	960173
Lead screw - - - - -	*	122159	122159	122159	122159
Lock washer - - - - -	*	121841	121841	121841	121841
<b>Generator Commutator End Parts</b>					
Head assembly- - - - -	1	1262932	1266494	1253353	1253333
Head assembly - partial- - - - -	1	---	1266498	1253358	---
Bearing- - - - -	1	602454	1253359	1253359	1253335
Retaining screw - - - - -	1	674929	---	---	674929
Lockwasher - - - - -	1	---	---	---	131098
Retaining washer- - - - -	1	674927	---	---	674927
Cover- - - - -	1	674932	1266495	1253356	960169
Gasket- - - - -	1	674931	---	1253355	960170
Screw - - - - -	*	132105	---	131958	132133
Lockwasher - - - - -	*	120217	---	121841	120217
Plainwasher - felt retaining - - - - -	1	674928	---	---	960168
Felt washer- - - - -	1	---	---	---	960171
Felt wick- - - - -	1	674930	1266497	1253357	---
Oiler- - - - -	1	---	113702	113702	113702
<b>Generator Cover Band</b>					
Band - - - - -	1	674944	1266502	674944	1136568
Screw - - - - -	1	132930	---	132930	132930
Nut- - - - -	1	120614	---	120614	120614

Indicates amount used as required.

† Indicates parts included in packages.

**GROUP 8 - ELECTRICAL**

GENERATOR COMPONENT PARTS - (Cont'd)	QTY.	1194650 Assy.	1257392 Assy.	1136934 Assy.	1136931 Assy.
<b>Generator Drive End Parts</b>					
Head assembly - - - - -	1	594372	1266500	1253361	1253338
Head - - - - -	1	594373	1266501	1253366	1253339
Ball bearing - - - - -	1	602454	602454	602454	965325
Retainer - - - - -	1	648395	1253364	1253364	655999
Screw - - - - -	*	132900	132900	1269238	132900
Lockwasher - - - - -	*	120217	120217	120217	120217
Gasket - - - - -	1	---	1253362	1253362	---
Felt washer - - - - -	2	674939	636815	636815	659504
Felt washer - outer - - - - -	1	674943	---	---	---
Retainer - inner - - - - -	1	674941	1253363	1253363	659502
Retainer - outer - - - - -	1	674942	1253365	1253365	1253340
Oiler - - - - -	1	113702	113702	113702	113702
<b>Generator Field Coil</b>					
Assembly - complete - - - - -	1	860919	1266492	---	1253328
Coil - right - - - - -	1	1189547	1266493	1253352	1253331
Coil - left - - - - -	1	916592	1266527	1253351	1253329
Lead assembly - arm. term. to brush - - - - -	1	1252931	1253350	1262931	1253330
Terminal - to brush lead - - - - -	1	1089580	1089580	1089580	114037
Terminal - lead - - - - -	1	---	1383661	1383661	---
<b>Generator Field Terminal</b>					
Stud - - - - -	1	953732	1253348	1253348	953732
Nut - - - - -	2	120614	120614	120614	120614
Lockwasher - - - - -	2	120217	120217	120217	120217
Plainwasher - - - - -	1	120391	1253345	1253345	120391
Stud insulation - inner - - - - -	1	688016	---	---	---
Stud insulation - inner - - - - -	1	688015	---	---	1253332
Insulating bushing - - - - -	1	683357	1253346	1253346	960161
Insulating washer - - - - -	1	671481	1253344	1253344	671481
<b>Generator Frame Parts</b>					
Dowel pin - frame and field - - - - -	2	112006	112006	112006	112006
Thru - bolt - - - - -	2	1253343	673009	1253343	1253327
Lockwasher - - - - -	2	120214	131098	120214	120382
Field connection insulation - - - - -	1	636779	---	636779	960160
<b>Generator Ground Screw</b>					
Screw - - - - -	1	132900	132900	132900	132900
Lockwasher - - - - -	2	120217	120217	120217	120217
<b>Generator Pole Piece Shoe</b>					
Screw - - - - -	*	674919	859901	674919	674919

PART NAME	PART NO.	MODEL CODES											
		DG AND FO					DH AND FP						
		1	2	3	4	5	6	1	2	4	5	6	7
<b>GROUP 8-C BATTERY CABLES</b>													
<b>Battery Ground Cable</b>													
Assembly - - - - -	687782	1	1	..	..	..	..	1	1	..	..	..	..
Assembly - - - - -	687779	..	..	1	1	1	1	..	..	1	1	1	1
Terminal - - - - -	151322	1	1	1	1	1	1	1	1	1	1	1	1
Bolt - - - - -	663219	1	1	1	1	1	1	1	1	1	1	1	1
Nut - - - - -	663220	1	1	1	1	1	1	1	1	1	1	1	1
Washer - felt - positive terminal - - - - -	687975	1	1	1	1	1	1	1	1	1	1	1	1
Bolt - to frame - - - - -	121615	..	..	1	1	1	1	..	..	1	1	1	1
Nut - - - - -	120369	1	1	1	1	1	1	1	1	1	1	1	1
Lockwasher - - - - -	120382	1	1	1	1	1	1	1	1	1	1	1	1

Indicates amount used as required.

† Indicates parts included in packages.

**GROUP 8 - ELECTRICAL**

PART NAME	PART NO.	MODEL CODES										
		DG AND FO					DH AND FP					
		1	2	3	4	5	6	1	2	4	5	6
<b>GROUP 8-C BATTERY CABLES - (Cont'd)</b>												
<b>Battery To Starter Cable</b>												
Assembly - - - - -	1267383	1	1	1	1	1	1	1	1	1	1	1
Bolt - - - - -	663219	1	1	1	1	1	1	1	1	1	1	1
Nut - - - - -	663220	1	1	1	1	1	1	1	1	1	1	1
<b>GROUP 8-D STARTER</b>												
<b>Starter</b>												
Assembly - - - - -	1268125	1	1	1	1	..	..	1	1	..	..	..
Assembly - - - - -	1268126	..	..	..	..	1	1	..	..	1	1	1
Screw - mounting - - - - -	122267	2	2	2	2	2	2	2	2	2	2	2
Lockwasher - - - - -	120383	2	2	2	2	2	2	2	2	2	2	2

STARTER COMPONENT PARTS	QTY.	1268125 Assy.	1268126 Assy.
<b>Starter Clutch</b>			
Assembly - - - - -	1	1343708	1343708
Snap ring - - - - -	1	1343707	1343707
Retainer - - - - -	1	1343706	1343706
<b>Starter Pinion Housing</b>			
Assembly - - - - -	1	1390063	1390064
Bearing - - - - -	1	636845	636845
<b>Starter Yoke</b>			
Assembly - - - - -	1	1390062	1390062
Pin - - - - -	1	1343710	1343710
Cotter pin - - - - -	1	103373	103373
<b>Starter Motor Frame</b>			
Through bolt - - - - -	2	1300503	1300503
Lockwasher - - - - -	2	131098	131098
Dowel pin - - - - -	2	636789	636789
<b>Starter Field Coil</b>			
Field coil - left - - - - -	1	1390059	---
Field coil - right - - - - -	1	1390060	---
Field coil - upper left - - - - -	1	---	636833
Field coil - upper right - - - - -	1	---	1265712
Field coil - lower left - - - - -	1	---	643831
Field coil - lower right - - - - -	1	---	643830
<b>Starter Field Connection</b>			
Insulation - - - - -	1	643823	1315965
<b>Starter Pole Piece (Shoe)</b>			
Screw - - - - -	4	859901	859901
<b>Starter Commutator End Head</b>			
Assembly - - - - -	1	1138525	1300516
Felt - - - - -	1	636840	636840
<b>Starter Cover Band</b>			
Band - - - - -	1	1345000	1345000

Indicates amount used as required.

† Indicates parts included in packages.

## GROUP 8 - ELECTRICAL

8-15

STARTER COMPONENT PARTS - (Cont'd)	QTY.	1268125 Assy.	1268126 Assy.
<b>Starter Armature</b>			
Assembly - - - - -	1	1343705	1343705
Spacer- - - - -	1	1369644	1369644
Thrust washer - drive end - - - - -	1	641444	641444
Thrust washer - .031- - - - -	*	641446	641446
Thrust washer - .047- - - - -	*	672641	672641
Thrust washer - - - - -	*	1369645	1369645
<b>Starter Brush</b>			
Set- - - - -	1	1345005	1345005
Brush - insulated- - - - -	2	687374	687374
Spring- - - - -	2	636841	636841
Screw - ground - - - - -	2	132900	132900
Lockwasher - - - - -	1	120217	120217
<b>Starter Terminal Post Or Stud</b>			
Stud - - - - -	1	636822	643829
Bushing - insulation- - - - -	1	636825	636825
Washer - insulation - - - - -	1	1390057	1390057
Nut- - - - -	1	134566	134566
Lockwasher - - - - -	1	120382	120382
<b>Starter Switch</b>			
Assembly - - - - -	1	1390061	1390061
Screw - mounting- - - - -	2	121540	121540
Lockwasher - - - - -	2	138479	138479
Nut - terminal- - - - -	1	134566	134566
Lockwasher - - - - -	1	120382	120382
Insulation - contact- - - - -	1	636828	636828
Insulation - contact- - - - -	1	1136566	1136566
Contact - lower - - - - -	1	643837	643837

PART NAME	PART NO.	MODEL CODES										
		DG AND FO					DH AND FP					
		1	2	3	4	5	6	1	2	4	5	6
<b>GROUP 8-D STARTER - (Cont'd)</b>												
<b>Starter Pedal</b>												
Assembly - - - - -	1265130	1	1	1	1	1	1	1	1	1	1	1
Bolt - pedal bracket- - - - -	123461	3	3	3	3	3	3	3	3	3	3	3
Nut- - - - -	120367	3	3	3	3	3	3	3	3	3	3	3
Plainwasher- - - - -	120392	3	3	3	3	3	3	3	3	3	3	3
Lockwasher - - - - -	120380	3	3	3	3	3	3	3	3	3	3	3
Button - pedal - - - - -	699482	1	1	1	1	1	1	1	1	1	1	1
<b>GROUP 8-E DISTRIBUTOR</b>												
<b>Distributor</b>												
Assembly - (Vendor's No. 1AT-4012A)- - - - -	1343993	1	..	..	..	..	..	1	..	..	..	..
Assembly - (Vendor's No. 1AY-4001A-1)- - - - -	1271145	..	1	..	..	..	..	..	1	..	..	..
Assembly - (Vendor's No. 1AY-4004B-1)- - - - -	1391176	..	1	..	..	..	..	..	1	..	..	..
Assembly - (Vendor's No. 1AY-4004A-1) also with Exp. cylinder head 1329297- - - - -	1274107	..	1	..	..	..	..	..	1	..	..	..
Assembly - (Vendor's No. 1AY-4004-1) - - - - -	1274116	..	..	1	1	1	1	..	..	1	1	1
Assembly - (Vendor's No. 1AY-4001-1) - - - - -	1271146	..	..	1	1	1	1	..	..	1	1	1
Nut - terminal- - - - -	120614	1	1	1	1	1	1	1	1	1	1	1
Lockwasher - - - - -	120217	1	1	1	1	1	1	1	1	1	1	1
Retainer- - - - -	41928	1	1	1	1	1	1	1	1	1	1	1
Screw - lock plate hold down- - - - -	132259	1	1	1	1	1	1	1	1	1	1	1
Nut- - - - -	121753	1	1	1	1	1	1	1	1	1	1	1
Plainwasher- - - - -	120392	1	1	1	1	1	1	1	1	1	1	1

Indicates amount used as required.

† Indicates parts included in packages.

**GROUP 8 - ELECTRICAL**

DISTRIBUTOR COMPONENT PARTS	QTY.	1343993 Assy.	1391176 Assy.	1271145 Assy.	1274107 Assy.	1271146 Assy.	1274116 Assy.
<b>Distributor cap</b>							
Assembly- - - - -	1	1343576	1343576	1343576	1343576	1343576	1343576
Contact plunger- - - - -	1	1195772	1195772	1195772	1195772	1195772	1195772
Spring- - - - -	1	1308183	1308183	1308183	1308183	1308183	1308183
Clamp spring assy. - - - - -	2	648404	648404	648404	648404	648404	648404
Screw - - - - -	2	121832	121832	121832	121832	121832	121832
Lockwasher- - - - -	2	121841	121841	121841	121841	121841	121841
<b>Distributor base</b>							
Assembly- - - - -	1	1345223	1390531	1274091	1390531	1274091	1390531
Absorbent bronze bearing - - -	2	643906	643906	643906	643906	643906	643906
Felt wick- - - - -	1	953714	958177	953714	958177	953714	958177
Oiler- - - - -	1	953717	953717	953717	953717	953717	953717
<b>Distributor breaker plate</b>							
Assembly- - - - -	1	1343578	---	---	---	---	---
Plate- - - - -	1	1345484	1274090	1274090	1274090	1274090	1274090
Screw- attaching- - - - -	2	121832	121832	121832	121832	121832	121832
Lockwasher- - - - -	2	121841	121841	121841	121841	121841	121841
Condenser- - - - -	1	1343580	1274086	1274086	1274086	1274086	1274086
Screw - attaching- - - - -	*	131870	131870	131870	131870	131870	131870
Lockwasher- - - - -	*	131044	131044	1089583	131044	1089583	131044
Lead assembly - ground - - - -	1	1343583	---	---	---	---	---
Lead assembly - primary- - - -	1	1343582	---	---	---	---	---
Contact lead washer- - - - -	1	1343593	---	---	---	---	---
Lead Screw - 3/16" - - - - -	1	131949	---	---	---	---	---
Lead Screw - 1/4"- - - - -	1	131954	---	---	---	---	---
Lockwasher- - - - -	1	121841	---	---	---	---	---
Bushing Insulation - lead- - -	1	1343591	1274087	1274087	1274087	1274087	1274087
Stud insulation washer - lead-	1	1369774	1369774	1369774	648401	1369774	1369774
Breaker point set- - - - -	1	1343581	1274092	1274092	1274092	1274092	1274092
Screw - spring clamp-or bracket	1	1343594	131949	131949	131949	131949	131949
Plainwasher - - - - -	1	131014	131015	131015	131015	131015	131015
Terminal - - - - -	1	1343592	1274093	1274093	1274093	1274093	1274093
Insulation- - - - -	1	1343585	1274088	1274088	1274088	1274088	1274088
Nut - - - - -	*	120614	120614	120614	120614	120614	120614
Lockwasher- - - - -	*	120217	120217	120217	120217	120217	120217
Plainwasher - - - - -	1	120385	120385	120385	120385	120385	120385
Spacer- - - - -	1	---	1274089	1274089	1274089	1274089	1274089
<b>Distributor shaft and governor</b>							
Shaft - - - - -	1	1343994	1390543	1269131	1390543	1269131	1390543
Collar - - - - -	1	643903	643903	643903	643903	643903	643903
Rivet- - - - -	1	636899	636899	636899	636899	636899	636899
Thrust Washer - upper - inner-	1	1195769	1195769	1195769	1195769	1195769	1195769
Thrust Washer - upper - outer-	1	1195770	1195770	1195770	1195770	1195770	1195770
Thrust washer - lower- - - - -	1	643892	643892	643892	643892	643892	643892
Weight - - - - -	2	1271768	1383640	643917	1271768	643917	1271768
Weight spring set - - - - -	1	674959	1308182	674959	674959	1067297	1067297
Rotor - - - - -	1	1343587	1343587	1343587	1343587	1343587	1343587
Cam and stop plate- - - - -	1	1343995	921275	859907	859907	859907	859907
Snap ring- - - - -	1	643893	643893	643893	643893	643893	643893
Sleeve-felt- - - - -	1	643899	643899	643899	643899	643899	643899
Spacer - - - - -	1	859903	859903	859903	859903	859903	859903
Advance arm - (Lock plate)- - -	1	866069	866069	866069	866069	866069	866069
Screw- - - - -	1	121900	121900	121900	121900	121900	121900
Lockwasher- - - - -	1	131098	131098	131098	131098	131098	131098
Plainwasher - - - - -	1	120392	120392	120392	120392	120392	120392
Pointer- - - - -	1	---	866449	866449	866449	866449	866449
<b>Distributor vacuum chamber</b>							
Assembly- - - - -	1	1345413	---	---	---	---	---
Screw- - - - -	2	132096	---	---	---	---	---
Lockwasher- - - - -	4	138479	---	---	---	---	---
Lock ring - - - - -	1	643901	---	---	---	---	---
Plug- - - - -	1	1345705	---	---	---	---	---
Washer - .010" thick- - - - -	*	691708	---	---	---	---	---
Washer - .032" thick- - - - -	*	691709	---	---	---	---	---
Washer - .065" thick- - - - -	*	691710	---	---	---	---	---
Spring - - - - -	1	691716	---	---	---	---	---

\*Indicates amount used as required.

†Indicates parts included in packages.

# GROUP 8 - ELECTRICAL

PART NAME	PART NO.	MODEL CODES										
		DG AND FO					DH AND FP					
		1	2	3	4	5	6	1	2	4	5	6
<b>GROUP 8-F IGNITION COIL - WIRING - LOCK SWITCH AND KEYS - SPARK PLUGS</b>												
<b>Ignition Coil</b>												
Assembly - Note 1 - - - - -	1300667	1	1	1	1	1	1	..	..	..	..	..
Assembly - Note 2 - - - - -	1383838	1	1	1	1	1	1	1	1	1	1	1
Nut - mounting - - - - -	120367	2	2	2	2	2	2	2	2	2	2	2
Lockwasher- - - - -	121753	2	2	2	2	2	2	2	2	2	2	2
Nut - terminal - - - - -	120614	2	2	2	2	2	2	2	2	2	2	2
Lockwasher- - - - -	138479	2	2	2	2	2	2	2	2	2	2	2
<b>Ignition Cable Tube And Coil Mounting Bracket</b>												
Assembly - Note 1 - - - - -	1092857	1	1	1	1	1	1	..	..	..	..	..
Assembly - Note 2 - - - - -	1274097	1	1	1	1	1	1	1	1	1	1	1
Stud - to engine - - - - -	103171	1	1	1	1	1	1	1	1	1	1	1
Nut - - - - -	120368	2	2	2	2	2	2	2	2	2	2	2
Lockwasher- - - - -	138486	2	2	2	2	2	2	2	2	2	2	2
<b>Ignition Coil Lock Switch And Housing</b>												
Assembly- - - - -	1193348	1	1	1	1	1	1	1	1	1	1	1
Nut - terminal - - - - -	120614	3	3	3	3	3	3	3	3	3	3	3
Lockwasher- - - - -	138479	3	3	3	3	3	3	3	3	3	3	3
Nut - mounting - - - - -	1194631	1	1	1	1	1	1	1	1	1	1	1
<b>Ignition Lock Switch Cylinder And Key Package</b>												
Package - - - - -	1193360	1	1	1	1	1	1	1	1	1	1	1
Key - cut - - - - -	1158623	2	2	2	2	2	2	2	2	2	2	2
Key - blank - - - - -	1233112	2	2	2	2	2	2	2	2	2	2	2
<b>Ignition Cable Ring And Grommet</b>												
Ring - Note 2 - - - - -	1274099	1	1	1	1	1	1	1	1	1	1	1
Grommet - Note 2- - - - -	1274098	2	2	2	2	2	2	2	2	2	2	2
<b>Ignition Coil Cable - Primary</b>												
Cable - specify length required - - - - -	211318	*	*	*	*	*	*	*	*	*	*	*
Cable - 100 ft. spool - 16 gauge blue - -	830810	*	*	*	*	*	*	*	*	*	*	*
<b>Ignition Coil Cable - Secondary</b>												
Cable - specify length required - - - - -	1109243	*	*	*	*	*	*	*	*	*	*	*
Cable - 100 ft. spool - 16 gauge black- -	830809	*	*	*	*	*	*	*	*	*	*	*
<b>Ignition Cable Terminals, Nipples, and Sleeves</b>												
Terminal - primary cable - coil end - - -	200393	*	*	*	*	*	*	*	*	*	*	*
Sleeve - - - - -	926026	*	*	*	*	*	*	*	*	*	*	*
Terminal - primary cable - distributor end	200156	*	*	*	*	*	*	*	*	*	*	*
Terminal - secondary cable- - - - -	676872	*	*	*	*	*	*	*	*	*	*	*
Sleeve- - - - -	1345631	*	*	*	*	*	*	*	*	*	*	*
Washer- - - - -	1345632	*	*	*	*	*	*	*	*	*	*	*
Nipple - rubber - secondary cable - - - -	150834	*	*	*	*	*	*	*	*	*	*	*
<b>Ignition Cable Set</b>												
Set - - - - -	1243798	1	1	1	1	1	1	1	1	1	1	1
<b>Spark Plug Package</b>												
Package (incl. gasket) - resistor type- -	1345906	6	6	..	..	..	..	6	6	..	..	..
Package (incl. gasket) - resistor type- -	1257587	..	..	6	6	6	6	..	..	6	6	6

Indicates amount used as required.

† Indicates parts included in packages.



**GROUP 8 - ELECTRICAL**

PART NAME	PART NO.	MODEL CODES											
		DG AND FO					DH AND FP						
		1	2	3	4	5	6	1	2	4	5	6	7
<b>GROUP 8-F IGNITION COIL - WIRING- LOCK SWITCH AND KEYS - SPARK PLUGS - (Cont'd)</b>													
<b>Spark Plug Packages - (Cont'd)</b>													
Gasket - - - - -	†889576	6	6	6	6	6	6	6	6	6	6	6	6
Package of 6 spark plug covers - - - - -	1321284	1	1	1	1	1	1	1	1	1	1	1	1
<b>Spark Plug Terminals And Nipples</b>													
Terminal - spark plug end - - - - -	1122042	6	6	6	6	6	6	6	6	6	6	6	6
Terminal - distributor end- - - - -	676872	6	6	6	6	6	6	6	6	6	6	6	6
Nipple - distributor end- - - - -	150834	6	6	6	6	6	6	6	6	6	6	6	6
<b>Spark Plug Cable - 100 Ft. Spool</b>													
Cable - black - 16 gauge- - - - -	830809	*	*	*	*	*	*	*	*	*	*	*	*
<b>GROUP 8-G INSTRUMENT HOUSING - RADIO SPEAKER GRILLE</b>													
<b>Instrument Housing - Except Flat Face Cowl</b>													
Assembly- - - - -	1390545	1	1	1	1	1	1	1	1	1	1	1	1
Gasket - instrument housing- - - - -	1272331	1	1	1	1	1	1	1	1	1	1	1	1
Screw - instrument housing - - - - -	122159	8	8	8	8	8	8	8	8	8	8	8	8
Bezel - - - - -	1272326	1	1	1	1	1	1	1	1	1	1	1	1
Gasket - - - - -	1272327	1	1	1	1	1	1	1	1	1	1	1	1
Screw - mounting - - - - -	163217	2	2	2	2	2	2	2	2	2	2	2	2
Eyelet- - - - -	1262313	2	2	2	2	2	2	2	2	2	2	2	2
Plate - - - - -	1272329	1	1	1	1	1	1	1	1	1	1	1	1
Glass - dial- - - - -	1272328	1	1	1	1	1	1	1	1	1	1	1	1
Insulating cup - instrument mounting screw	939548	4	4	4	4	4	4	4	4	4	4	4	4
<b>Instrument Housing - Flat Face Cowl Only</b>													
Assembly- - - - -	1262336	1	1	1	1	1	1	1	1	1	1	1	1
Gasket - instrument housing- - - - -	1262312	1	1	1	1	1	1	1	1	1	1	1	1
Screw - instrument housing - - - - -	122159	8	8	8	8	8	8	8	8	8	8	8	8
Bezel - - - - -	1195748	1	1	1	1	1	1	1	1	1	1	1	1
Gasket - - - - -	1195749	1	1	1	1	1	1	1	1	1	1	1	1
Screw - bezel mounting - - - - -	163217	2	2	2	2	2	2	2	2	2	2	2	2
Eyelet- - - - -	1262313	2	2	2	2	2	2	2	2	2	2	2	2
Plate - - - - -	1272373	1	1	1	1	1	1	1	1	1	1	1	1
Gasket - - - - -	1195751	1	1	1	1	1	1	1	1	1	1	1	1
Glass - dial- - - - -	1195750	1	1	1	1	1	1	1	1	1	1	1	1
Insulating cup - instrument mounting screw	939548	3	3	3	3	3	3	3	3	3	3	3	3
<b>Radio Speaker Grille</b>													
Assembly- - - - -	1194655	1	1	1	1	1	1	1	1	1	1	1	1
Screw - mounting - - - - -	163217	4	4	4	4	4	4	4	4	4	4	4	4
Bezel- - - - -	1260775	1	1	1	1	1	1	1	1	1	1	1	1
<b>GROUP 8-H AMMETER</b>													
<b>Ammeter</b>													
Ammeter - with flat face cowl - - - - -	1272351	1	1	1	1	1	1	1	1	1	1	1	1
Ammeter - exc. flat face cowl - - - - -	1271229	1	1	1	1	1	1	1	1	1	1	1	1
Nut - terminal - - - - -	120614	2	2	2	2	2	2	2	2	2	2	2	2
Lockwasher- - - - -	138479	2	2	2	2	2	2	2	2	2	2	2	2

† Indicates amount used as required.

‡ Indicates parts included in packages.

# GROUP 8 - ELECTRICAL

PART NAME	PART NO.	MODEL CODES											
		DG AND FO					DH AND FP						
		1	2	3	4	5	6	1	2	4	5	6	7
<b>GROUP 8-I CHASSIS WIRING AND BODY WIRING</b>													
<p><b>SPECIAL NOTE:</b> For a more practical and economical method of servicing car wiring, only the more complicated assemblies are stocked for service. These will be found listed in their respective groups. On the more simple assemblies the required length and size of cable by the foot plus the necessary terminals, etc. should be ordered.</p>													
<b>Chassis Wiring</b>													
Assembly - except panel - L.H.D. - - - - -	1260802	1	..	..	..	..	..	1	..	..	..	..	..
Assembly - panel - L.H.D. - - - - -	1260803	1	..	..	..	..	..	1	..	..	..	..	..
Assembly - R.H.D. - - - - -	1262380	1	1	..	..	..	..	1	1	..	..	..	..
Assembly - 116" W.B. - L.H.D. - - - - -	1260803	..	1	..	..	..	..	..	..	..	..	..	..
Assembly - 116" W.B. - R.H.D. - - - - -	1262382	..	1	..	..	..	..	..	..	..	..	..	..
Assembly - 126" - 128" W.B. - L.H.D. - - -	1260802	..	1	1	1	1	1	..	1	1	1	1	1
Assembly - 140" - 152" W.B. - L.H.D. - - -	1260806	..	..	1	1	1	1	..	..	1	1	1	1
Assembly - 170" W.B. - L.H.D. - - - - -	1260808	..	..	..	1	1	1	..	..	..	1	1	1
Assembly - 192" - 212" W.B. - L.H.D. - - -	1260810	..	..	..	1	..	1	..	..	..	..	..	..
Assembly - 192" - 212" W.B. - R.H.D. - - -	1262389	..	..	..	1	..	1	..	..	..	..	..	..
Assembly - 128" - 140" - 152" - 170" W.B. - R.H.D. - - - - -	1262387	..	..	1	1	1	1	..	..	1	1	1	..
<b>Body Wiring</b>													
Assembly - L.H.D. - flat face cowl - - - - -	1195760	1	1	1	1	1	1	1	1	1	1	1	1
Assembly - L.H.D. - except flat face cowl - - -	1390093	1	1	1	1	1	1	1	1	1	1	1	1
Assembly - R.H.D. - flat face cowl - - - - -	1260825	1	1	1	1	1	1	1	1	1	1	1	..
Assembly - R.H.D. - except flat face cowl - - -	1390092	1	1	1	1	1	1	1	1	1	1	1	..
<b>Chassis Wiring Cable - Specify Length Required</b>													
No. 10 - black - - - - -	665140	*	*	*	*	*	*	*	*	*	*	*	*
No. 12 - red - - - - -	385571	*	*	*	*	*	*	*	*	*	*	*	*
No. 14 - green - - - - -	385573	*	*	*	*	*	*	*	*	*	*	*	*
No. 16 - blue-black - - - - -	211318	*	*	*	*	*	*	*	*	*	*	*	*
No. 16 - horn cable - - - - -	868127	*	*	*	*	*	*	*	*	*	*	*	*
<b>Chassis Wiring Cable - 100 Ft. Spool</b>													
No. 10 - black - - - - -	830814	*	*	*	*	*	*	*	*	*	*	*	*
No. 12 - red - - - - -	830813	*	*	*	*	*	*	*	*	*	*	*	*
No. 14 - green - - - - -	830812	*	*	*	*	*	*	*	*	*	*	*	*
No. 16 - blue-black - - - - -	830810	*	*	*	*	*	*	*	*	*	*	*	*
No. 16 - horn cable - - - - -	1150926	*	*	*	*	*	*	*	*	*	*	*	*
<b>Chassis Wiring Terminals</b>													
Terminal - spade straight type - #10 hole - #14 - #16 wire - - - - -	200394	*	*	*	*	*	*	*	*	*	*	*	*
Terminal - eyelet side type - 1/4" hole - single wire - - - - -	200286	*	*	*	*	*	*	*	*	*	*	*	*
Terminal - eyelet straight type - #6 hole - single wire - - - - -	200001	*	*	*	*	*	*	*	*	*	*	*	*
Terminal - spade straight type - 13/64" hole - #10 - #12 wire - - - - -	200393	*	*	*	*	*	*	*	*	*	*	*	*
Terminal - eyelet side type - 13/64" hole - single wire - - - - -	200156	*	*	*	*	*	*	*	*	*	*	*	*
Terminal - eyelet straight type - 3/8" hole - single wire - - - - -	200019	*	*	*	*	*	*	*	*	*	*	*	*
Terminal - eyelet type - double wire - - - - -	200052	*	*	*	*	*	*	*	*	*	*	*	*
Terminal - plug type - single wire - - - - -	665151	*	*	*	*	*	*	*	*	*	*	*	*
Terminal - connector type - single wire - - - - -	870821	*	*	*	*	*	*	*	*	*	*	*	*

† Indicates amount used as required.

‡ Indicates parts included in packages.

**GROUP 8 - ELECTRICAL**

PART NAME	PART NO.	MODEL CODES											
		DG AND FO					DH AND FP						
		1	2	3	4	5	6	1	2	4	5	6	7
<b>GROUP 8-I CHASSIS WIRING AND BODY WIRING - (Cont'd)</b>													
<b>Chassis Wiring Terminal Sleeves</b>													
Sleeve - 1" length - single - - - - -	926026	*	*	*	*	*	*	*	*	*	*	*	*
Sleeve - 1" length - with two wire terminal	930304	*	*	*	*	*	*	*	*	*	*	*	*
<b>Chassis Wire Connector</b>													
Connector - single- - - - -	611898	*	*	*	*	*	*	*	*	*	*	*	*
Connector - triple- - - - -	657560	*	*	*	*	*	*	*	*	*	*	*	*
<b>GROUP 8-J INSTRUMENT AND SPEEDOMETER LAMPS</b>													
<b>Instrument Panel Lamp</b>													
Socket- - - - -	682198	3	3	3	3	3	3	3	3	3	3	3	3
Spring - - - - -	385532	3	3	3	3	3	3	3	3	3	3	3	3
Bushing- - - - -	657583	3	3	3	3	3	3	3	3	3	3	3	3
Contact- - - - -	657572	3	3	3	3	3	3	3	3	3	3	3	3
Bulb- - - - -	830336	2	2	2	2	2	2	2	2	2	2	2	2
<b>Speedometer Lamp Bulb</b>													
Bulb- - - - -	830336	1	1	1	1	1	1	1	1	1	1	1	1
<b>GROUP 8-K HEADLAMP SWITCH - INSTRUMENT LAMP SWITCH - DIMMER SWITCH</b>													
<b>Headlamp Switch</b>													
Assembly- - - - -	1260727	1	1	1	1	1	1	1	1	1	1	1	1
Knob (white lettered)- - - - -	1191532	1	1	1	1	1	1	1	1	1	1	1	1
Knob (black lettered)- - - - -	1107430	1	1	1	1	1	1	1	1	1	1	1	1
Nut - mounting - - - - -	1189496	1	1	1	1	1	1	1	1	1	1	1	1
Washer- - - - -	1194598	1	1	1	1	1	1	1	1	1	1	1	1
Nut - terminal - - - - -	120614	2	2	2	2	2	2	2	2	2	2	2	2
Lockwasher- - - - -	138479	2	2	2	2	2	2	2	2	2	2	2	2
Assembly - circuit breaker- - - - -	1239431	1	1	1	1	1	1	1	1	1	1	1	1
Assembly - headlamp switch to instrument panel light switch cable - 6" of #16 -	211318	1	1	1	1	1	1	1	1	1	1	1	1
Connector - to parking lamp - - - - -	611898	1	1	1	1	1	1	1	1	1	1	1	1
<b>Instrument Lamp Switch</b>													
Assembly- - - - -	1188451	1	1	1	1	1	1	1	1	1	1	1	1
Nut - mounting - - - - -	1189496	1	1	1	1	1	1	1	1	1	1	1	1
Washer- - - - -	1194598	1	1	1	1	1	1	1	1	1	1	1	1
Screw - terminal - - - - -	122159	2	2	2	2	2	2	2	2	2	2	2	2
Lockwasher- - - - -	138530	2	2	2	2	2	2	2	2	2	2	2	2
Knob - control (white lettered)- - - - -	1191536	1	1	1	1	1	1	1	1	1	1	1	1
Knob - control (black lettered)- - - - -	1107434	1	1	1	1	1	1	1	1	1	1	1	1
<b>Dimmer Switch</b>													
Assembly- - - - -	1384052	1	1	1	1	1	1	1	1	1	1	1	1
Screw - mounting - - - - -	120583	2	2	2	2	2	2	2	2	2	2	2	2
Lockwasher - - - - -	121753	2	2	2	2	2	2	2	2	2	2	2	2
<b>GROUP 8-L HEADLAMP</b>													
<b>Headlamp</b>													
Assembly - domestic - - - - -	1163891	2	2	2	2	2	2	2	2	2	2	2	2
Assembly - export - - - - -	1274077	2	2	2	2	2	2	2	2	2	2	2	2
Gasket - mounting- - - - -	1310488	2	2	2	2	2	2	2	2	2	2	2	2
Screw - mounting- - - - -	167947	16	16	16	16	16	16	16	16	16	16	16	16
Shell- - - - -	1154200	2	2	2	2	2	2	2	2	2	2	2	2

Indicates amount used as required.

† Indicates parts included in packages.

**GROUP 8 - ELECTRICAL**

PART NAME	PART NO.	MODEL CODES											
		DG AND FO					DH AND FP						
		1	2	3	4	5	6	1	2	4	5	6	7
<b>GROUP 8-L HEADLAMP - (Cont'd)</b>													
<b>Headlamp - (Cont'd)</b>													
Door assembly- - - - -	1239411	2	2	2	2	2	2	2	2	2	2	2	2
Screw retainer - - - - -	186575	2	2	2	2	2	2	2	2	2	2	2	2
Clip - retainer - - - - -	1310234	2	2	2	2	2	2	2	2	2	2	2	2
Sealed beam unit assembly - - - - -	1297667	2	2	2	2	2	2	2	2	2	2	2	2
Sealed beam unit assembly - export- - - - -	1274076	2	2	2	2	2	2	2	2	2	2	2	2
Socket assembly- - - - -	853781	2	2	2	2	2	2	2	2	2	2	2	2
Mounting seat assembly - - - - -	946940	2	2	2	2	2	2	2	2	2	2	2	2
Spring - - - - -	854798	4	4	4	4	4	4	4	4	4	4	4	4
Screw - adjusting - - - - -	865336	4	4	4	4	4	4	4	4	4	4	4	4
Nut - - - - -	865760	4	4	4	4	4	4	4	4	4	4	4	4
Ring - retaining- - - - -	946942	2	2	2	2	2	2	2	2	2	2	2	2
Screw- - - - -	224549	6	6	6	6	6	6	6	6	6	6	6	6
Cable and socket assembly - - - - -	1310738	2	2	2	2	2	2	2	2	2	2	2	2
Screw - ground - - - - -	132900	2	2	2	2	2	2	2	2	2	2	2	2
Nut - - - - -	120614	2	2	2	2	2	2	2	2	2	2	2	2
Lockwasher- - - - -	138479	2	2	2	2	2	2	2	2	2	2	2	2
Cable terminal block- - - - -	683995	1	1	1	1	1	1	1	1	1	1	1	1
Screw - mounting - - - - -	187058	4	4	4	4	4	4	4	4	4	4	4	4
Nut - - - - -	120614	6	6	6	6	6	6	6	6	6	6	6	6
Lockwasher- - - - -	138479	6	6	6	6	6	6	6	6	6	6	6	6
<b>Headlamp Beam Indicator And Jewel</b>													
Socket- - - - -	682198	1	1	1	1	1	1	1	1	1	1	1	1
Spring - - - - -	385532	1	1	1	1	1	1	1	1	1	1	1	1
Bushing- - - - -	657583	1	1	1	1	1	1	1	1	1	1	1	1
Contact- - - - -	657572	1	1	1	1	1	1	1	1	1	1	1	1
Bulb- - - - -	830335	1	1	1	1	1	1	1	1	1	1	1	1
<b>Headlamp And Parking Lamp Wiring</b>													
Cable - 42" of #12- - - - -	385571	1	1	1	1	1	1	1	1	1	1	1	1
Cable - 44" of #14- - - - -	385573	1	1	1	1	1	1	1	1	1	1	1	1
Cable - 45" of #16- - - - -	211318	1	1	1	1	1	1	1	1	1	1	1	1
Terminal- - - - -	200156	6	6	6	6	6	6	6	6	6	6	6	6
<b>GROUP 8-M PARKING LAMP</b>													
<b>Parking Lamp</b>													
Reflector assembly- - - - -	1272361	2	2	2	2	2	2	2	2	2	2	2	2
Door assembly - - - - -	1272364	2	2	2	2	2	2	2	2	2	2	2	2
Door assembly - - - - -	1501009	..	..	..	..	..	..	..	..	..	..	..	..
Lens - - - - -	1272363	2	2	2	2	2	2	2	2	2	2	2	2
Gasket - - - - -	1272362	2	2	2	2	2	2	2	2	2	2	2	2
Screw - door to reflector - - - - -	122159	2	2	2	2	2	2	2	2	2	2	2	2
Lockwasher- - - - -	121841	2	2	2	2	2	2	2	2	2	2	2	2
Screw - mounting- - - - -	155214	4	4	4	4	4	4	4	4	4	4	4	4
Spring - cable- - - - -	44758	2	2	2	2	2	2	2	2	2	2	2	2
Contact - cable - - - - -	657572	2	2	2	2	2	2	2	2	2	2	2	2
Insulator - cable - - - - -	684775	2	2	2	2	2	2	2	2	2	2	2	2
Bulb- - - - -	830337	2	2	2	2	2	2	2	2	2	2	2	2
<b>GROUP 8-N TAIL AND SIGNAL LAMP - SIGNAL LAMP SWITCH</b>													
<b>Tail And Signal Lamp - Except Panel</b>													
Assembly - use 2 for dual installation- -	1195670	1	1	1	1	1	1	1	1	1	1	1	1
Nut - mounting - - - - -	120375	2	2	2	2	2	2	2	2	2	2	2	2
Lockwasher- - - - -	121753	2	2	2	2	2	2	2	2	2	2	2	2
Shell - door - - - - -	628949	1	1	1	1	1	1	1	1	1	1	1	1
Screw - mounting- - - - -	378987	2	2	2	2	2	2	2	2	2	2	2	2
Lens - plain - - - - -	1195677	1	1	1	1	1	1	1	1	1	1	1	1
Gasket- - - - -	300133	1	1	1	1	1	1	1	1	1	1	1	1

Indicates amount used as required.

† Indicates parts included in packages.

**GROUP 8 - ELECTRICAL**

PART NAME	PART NO.	MODEL CODES											
		DG AND FO					DH AND FP						
		1	2	3	4	5	6	1	2	4	5	6	7
<b>GROUP 8-N TAIL AND SIGNAL LAMP - SIGNAL LAMP SWITCH - (Cont'd)</b>													
<b>Tail And Signal Lamp- Except Panel- (Cont'd)</b>													
Retainer - - - - -	300134	1	1	1	1	1	1	1	1	1	1	1	1
Lens - license plate- - - - -	300137	1	1	1	1	1	1	1	1	1	1	1	1
Gasket - - - - -	300138	1	1	1	1	1	1	1	1	1	1	1	1
Retainer - - - - -	300139	2	2	2	2	2	2	2	2	2	2	2	2
Screw- - - - -	133325	2	2	2	2	2	2	2	2	2	2	2	2
Cable - tail lamp - 22" of #16 - - - - -	211318	1	1	1	1	1	1	1	1	1	1	1	1
Cable - signal lamp - 22" of #16 - - - - -	211318	1	1	1	1	1	1	1	1	1	1	1	1
Terminal - left - - - - -	665151	2	2	2	2	2	2	2	2	2	2	2	2
Terminal - right- - - - -	916055	2	2	2	2	2	2	2	2	2	2	2	2
Insulator - cable contact - - - - -	1189541	1	1	1	1	1	1	1	1	1	1	1	1
Bracket - mounting - left - L.H.D. - express	1194605	1	1	..	..	..	..	1	1	..	..	..	..
Bracket - mounting - right - R.H.D.- express	1194604	1	1	..	..	..	..	1	1	..	..	..	..
Screw - - - - -	120228	2	2	..	..	..	..	2	2	..	..	..	..
"y" connector - for dual installation- - -	689867	2	2	..	..	..	..	2	2	..	..	..	..
Bulb - - - - -	830343	1	1	..	..	..	..	1	1	..	..	..	..
<b>Tail And Signal Lamp - Panel Only</b>													
Assembly - - - - -	1271218	2	..	..	..	..	..	2	..	..	..	..	..
Gasket - mounting - - - - -	1271221	2	..	..	..	..	..	2	..	..	..	..	..
Nut- - - - -	120367	8	..	..	..	..	..	8	..	..	..	..	..
Lockwasher - - - - -	174916	8	..	..	..	..	..	8	..	..	..	..	..
Housing assembly - - - - -	1271219	2	..	..	..	..	..	2	..	..	..	..	..
Door - - - - -	1271220	4	..	..	..	..	..	4	..	..	..	..	..
Screw - mounting- - - - -	155194	2	..	..	..	..	..	2	..	..	..	..	..
Lens and reflector assembly- - - - -	1272325	2	..	..	..	..	..	2	..	..	..	..	..
Gasket - lens - - - - -	1271222	2	..	..	..	..	..	2	..	..	..	..	..
Reflector assembly - - - - -	1244981	2	..	..	..	..	..	2	..	..	..	..	..
Gasket - reflector- - - - -	1244982	2	..	..	..	..	..	2	..	..	..	..	..
Socket assembly- - - - -	1154380	2	..	..	..	..	..	2	..	..	..	..	..
Spring- - - - -	44758	2	..	..	..	..	..	2	..	..	..	..	..
Cable - tail lamp and socket - 100" of #16	211318	2	..	..	..	..	..	2	..	..	..	..	..
Terminal- - - - -	665151	4	..	..	..	..	..	4	..	..	..	..	..
Insulator - - - - -	858245	2	..	..	..	..	..	2	..	..	..	..	..
Contact - - - - -	657572	4	..	..	..	..	..	4	..	..	..	..	..
Grommet - - - - -	117957	2	..	..	..	..	..	2	..	..	..	..	..
Socket and bracket assembly- - - - -	1154380	2	..	..	..	..	..	2	..	..	..	..	..
Screw - mounting- - - - -	122159	4	..	..	..	..	..	4	..	..	..	..	..
Lockwasher - - - - -	121841	4	..	..	..	..	..	4	..	..	..	..	..
Spring- - - - -	44758	2	..	..	..	..	..	2	..	..	..	..	..
Insulator - - - - -	858245	1	..	..	..	..	..	1	..	..	..	..	..
Bulb - - - - -	830343	1	..	..	..	..	..	1	..	..	..	..	..
<b>Signal Lamp Switch</b>													
Assembly - - - - -	677112	1	1	1	1	1	1	1	1	1	1	1	1
Clip - terminal - - - - -	677113	1	1	1	1	1	1	1	1	1	1	1	1
<b>GROUP 8-0 LICENSE LAMP - LICENSE BRACKET - TAIL LAMP AND LICENSE BRACKET ARM</b>													
<b>License Lamp - Panel Only</b>													
Housing and socket assembly- - - - -	1271158	1	..	..	..	..	..	1	..	..	..	..	..
Bracket mounting- - - - -	1271163	1	..	..	..	..	..	1	..	..	..	..	..
Screw- - - - -	132915	2	..	..	..	..	..	2	..	..	..	..	..
Lockwasher - - - - -	120217	2	..	..	..	..	..	2	..	..	..	..	..
Lockwasher - - - - -	138479	2	..	..	..	..	..	2	..	..	..	..	..
Screw - lamp mounting- - - - -	160541	2	..	..	..	..	..	2	..	..	..	..	..
Lockwasher - - - - -	120380	2	..	..	..	..	..	2	..	..	..	..	..
Lens - - - - -	1271162	1	..	..	..	..	..	1	..	..	..	..	..
Gasket- - - - -	1271161	1	..	..	..	..	..	1	..	..	..	..	..
Cable - license lamp - 42" of #16- - - - -	211318	1	..	..	..	..	..	1	..	..	..	..	..
Terminal- - - - -	665151	1	..	..	..	..	..	1	..	..	..	..	..
Insulator - - - - -	684775	1	..	..	..	..	..	1	..	..	..	..	..

Indicates amount used as required.

† Indicates parts included in packages.

**GROUP 8 - ELECTRICAL**

PART NAME	PART NO.	MODEL CODES											
		DG AND FO					DH AND FP						
		1	2	3	4	5	6	1	2	4	5	6	7
<b>GROUP 8-0 LICENSE LAMP - LICENSE BRACKET - TAIL LAMP AND LICENSE BRACKET ARM - (Cont'd)</b>													
<b>License Lamp - Panel Only - (Cont'd)</b>													
Contact - - - - -	657572	1	..	..	..	..	..	1	..	..	..	..	..
Spring- - - - -	44758	1	..	..	..	..	..	1	..	..	..	..	..
Bulb - - - - -	830337	1	..	..	..	..	..	1	..	..	..	..	..
<b>License Bracket - Tail Lamp And License Bracket Arm</b>													
License plate bracket- - - - -	1267834	1	1	1	1	1	..	1	1	1	1	..	..
Bracket arm - L.H.D. - - - - -	1271214	1	1	1	1	1	1	1	1	1	1	1	1
Bracket arm - R.H.D. - - - - -	1270538	..	..	..	..	..	1	..	..	..	..	1	..
Bolt - mounting - - - - -	123611	2	2	2	2	2	..	2	2	2	2	..	..
Nut- - - - -	120371	2	2	2	2	2	..	2	2	2	2	..	..
Lockwasher - - - - -	120384	2	2	2	2	2	..	2	2	2	2	..	..
<b>GROUP 8-P DOME LAMP</b>													
<b>Dome Lamp Lens And Bezel</b>													
Assembly - lens and bezel- - - - -	1193288	1	1	1	1	1	1	1	1	1	1	1	1
Base assembly - - - - -	1193291	1	1	1	1	1	1	1	1	1	1	1	1
Screw - mounting- - - - -	143152	2	2	2	2	2	2	2	2	2	2	2	2
Nut- - - - -	1262996	2	2	2	2	2	2	2	2	2	2	2	2
Clip - cable- - - - -	1263079	1	1	1	1	1	1	1	1	1	1	1	1
Bolt - - - - -	123316	1	1	1	1	1	1	1	1	1	1	1	1
Nut- - - - -	120367	1	1	1	1	1	1	1	1	1	1	1	1
Lockwasher - - - - -	120380	1	1	1	1	1	1	1	1	1	1	1	1
Assembly - switch and socket - - - - -	1193292	1	1	1	1	1	1	1	1	1	1	1	1
Cable - headlamp switch to dome lamp switch - except panel - 112" of #16-	211318	1	1	1	1	1	1	1	1	1	1	1	1
Cable - headlamp switch to dome lamp switch - panel - 104" of #16 - - - - -	211318	1	..	..	..	..	..	1	..	..	..	..	..
Terminal - - - - -	200006	1	1	1	1	1	1	1	1	1	1	1	1
Sleeve - - - - -	926025	1	1	1	1	1	1	1	1	1	1	1	1
Terminal - - - - -	870821	1	1	1	1	1	1	1	1	1	1	1	1
Sleeve - - - - -	870822	1	1	1	1	1	1	1	1	1	1	1	1
Cable - ground - 12" of #16 - - - - -	211318	1	1	1	1	1	1	1	1	1	1	1	1
Terminal - left - - - - -	200001	1	1	1	1	1	1	1	1	1	1	1	1
Terminal - right - - - - -	200006	1	1	1	1	1	1	1	1	1	1	1	1
Sleeve - - - - -	926025	2	2	2	2	2	2	2	2	2	2	2	2
Screw - cable to terminal - - - - -	143152	1	1	1	1	1	1	1	1	1	1	1	1
Bulb- - - - -	830339	1	1	1	1	1	1	1	1	1	1	1	1

**NOTES:**

---



---



---



---



---



---



---



---



---



---



---



---



---



---



---



---



---



---



---



---



---



---

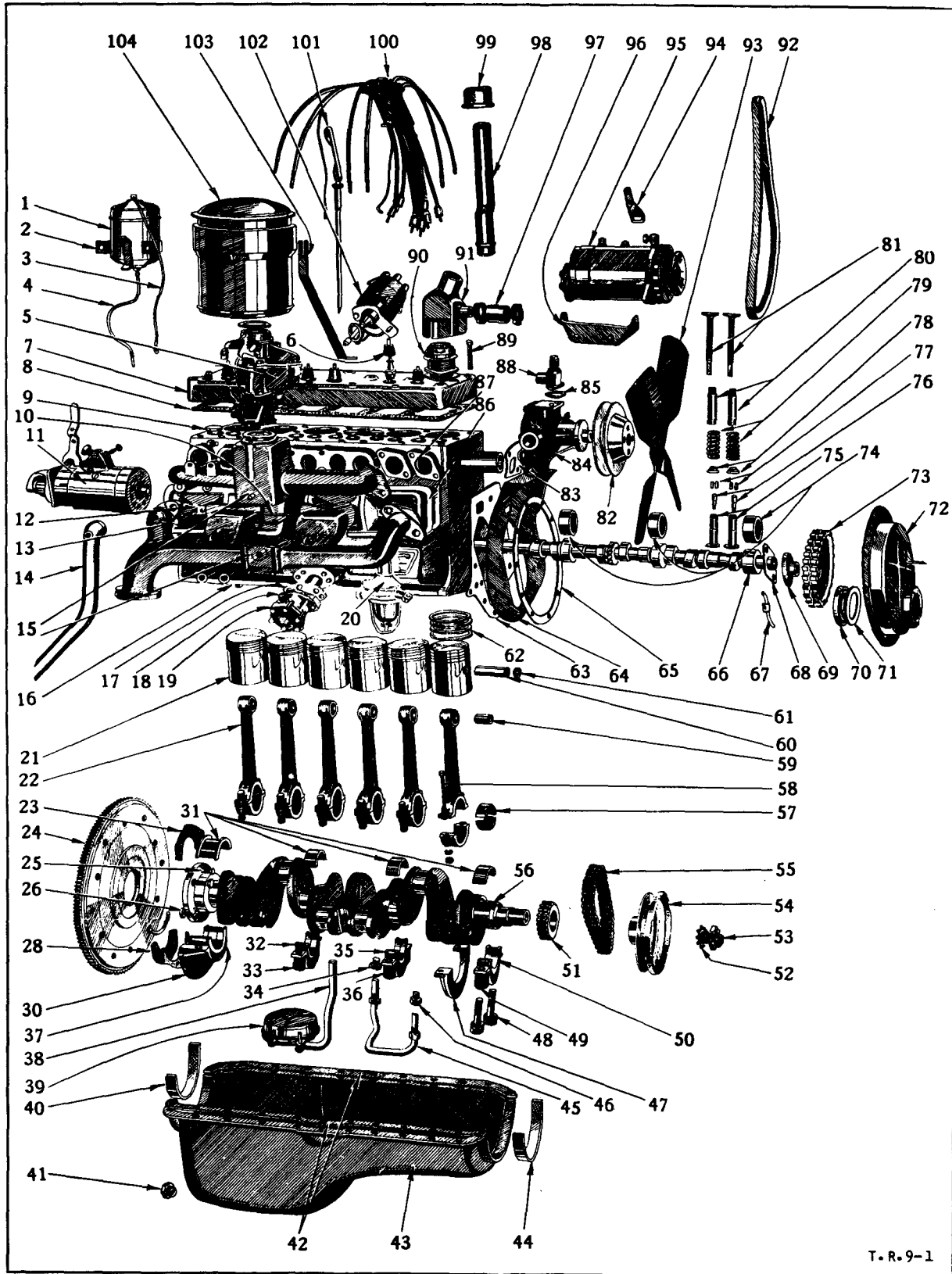
Indicates amount used as required.

† Indicates parts included in packages.

GROUP 9 - ENGINE

Plate 30.

ENGINE



ENGINE - Cont'd

Plate 30 (Cont'd)

Ref. No.	Part Name	Group	Ref. No.	Part Name	Group
1	Oil filter.....	10-C	53	Crankshaft starting jaw.....	9-E
2	Oil filter clamp.....	10-C	54	Crankshaft pulley.....	7-A
3	Engine to oil filter tube.....	10-C	55	Timing chain.....	9-K
4	Oil filter to engine tube.....	10-C	56	Crankshaft.....	9-E
5	Carburetor.....	14-D	57	Connecting rod bearings.....	9-G
6	Spark plug nipple.....	8-F	58	Connecting rod bolt.....	9-G
7	Cylinder head.....	9-C	59	Connecting rod bushing.....	9-G
8	Cylinder head gasket.....	9-C	60	Piston pin.....	9-I
9	Exhaust valve seat.....	9-L	61	Piston pin lock ring.....	9-I
10	Intake to exhaust manifold gasket.....	9-D	62	Piston rings.....	9-H
11	Starting motor.....	8-D	63	Chain case cover plate gasket.....	9-K
12	Valve spring cover.....	9-L	64	Chain case cover plate.....	9-K
13	Valve spring cover stud.....	9-L	65	Chain case cover gasket.....	9-K
14	Crankcase vent pipe.....	10-A	66	Camshaft.....	9-J
15	Intake and exhaust manifold.....	9-D	67	Camshaft sprocket oil tube.....	9-J
16	Cylinder block assembly.....	9-B	68	Camshaft sprocket thrust plate.....	9-J
17	Oil pump gasket.....	10-D	69	Camshaft sprocket hub.....	9-J
18	Oil pump body.....	10-D	70	Chain case cover oil seal.....	9-K
19	Oil pump cover.....	10-D	71	Chain case cover oil seal gasket.....	9-K
20	Fuel pump.....	14-H	72	Chain case cover.....	9-K
21	Pistons.....	9-H	73	Camshaft sprocket.....	9-J
22	Connecting rods.....	9-G	74	Camshaft bearings.....	9-J
23	Rear bearing oil seal assembly.....	9-E	75	Valve tappets.....	9-L
24	Flywheel.....	9-F	76	Valve tappets adjust screw.....	9-L
25	Flywheel bolt.....	9-F	77	Valve spring retainer lock.....	9-L
26	Flywheel bolt nut.....	9-F	78	Valve spring retainer.....	9-L
27			79	Valve spring.....	9-L
28	Rear bearing oil seal assembly.....	9-E	80	Valve guide.....	9-L
29			81	Valves.....	9-L
30	Crankshaft rear bearing cap.....	9-E	82	Fan pulley.....	7-A
31	Crankshaft bearings.....	9-E	83	Water pump gasket.....	7-D
32	Crankshaft bearings.....	9-E	84	Water pump.....	7-D
33	Crankshaft bearings cap - no. 3.....	9-E	85	By-pass elbow gasket.....	7-D
34	Oil pump outlet pipe nipple.....	10-D	86	Valve cover gasket.....	9-L
35	Crankshaft bearings.....	9-E	87	Manifold gaskets.....	9-D
36	Crankshaft bearings cap - no. 2.....	9-E	88	By-pass elbow.....	7-D
37	Crankshaft bearings no. 4.....	9-E	89	Cylinder head stud.....	9-C
38	Oil pump suction pipe.....	10-E	90	Thermostat.....	7-E
39	Oil strainer.....	10-E	91	Water outlet elbow.....	9-C
40	Oil pan gasket - rear.....	10-F	92	Fan belt.....	7-A
41	Oil pan drain plug.....	10-F	93	Fan.....	7-A
42	Oil pan gaskets.....	10-F	94	Generator adjust strap.....	8-B
43	Oil pan assembly.....	10-F	95	Generator.....	8-B
44	Oil pan gasket - front.....	10-F	96	Generator bracket.....	8-B
45	Oil pump outlet pipe.....	10-D	97	By - pass elbow hose.....	7-D
46	Oil pump outlet pipe nipple.....	10-D	98	Oil filler pipe.....	10-A
47	Oil pan front end oil seal plate.....	10-F	99	Oil filler cap.....	10-A
48	Crankshaft bearing cap screw.....	9-E	100	Ignition cable and tube.....	8-F
49	Crankshaft bearing cap No. 1.....	9-E	101	Oil level indicator.....	10-F
50	Crankshaft bearing.....	9-E	102	Distributor.....	8-E
51	Crankshaft sprocket.....	9-E	103	Air cleaner bracket.....	14-C
52	Crankshaft starting jaw lockwasher.....	9-E	104	Carburetor air cleaner.....	14-C

NOTES:

---



---



---



---



---



---



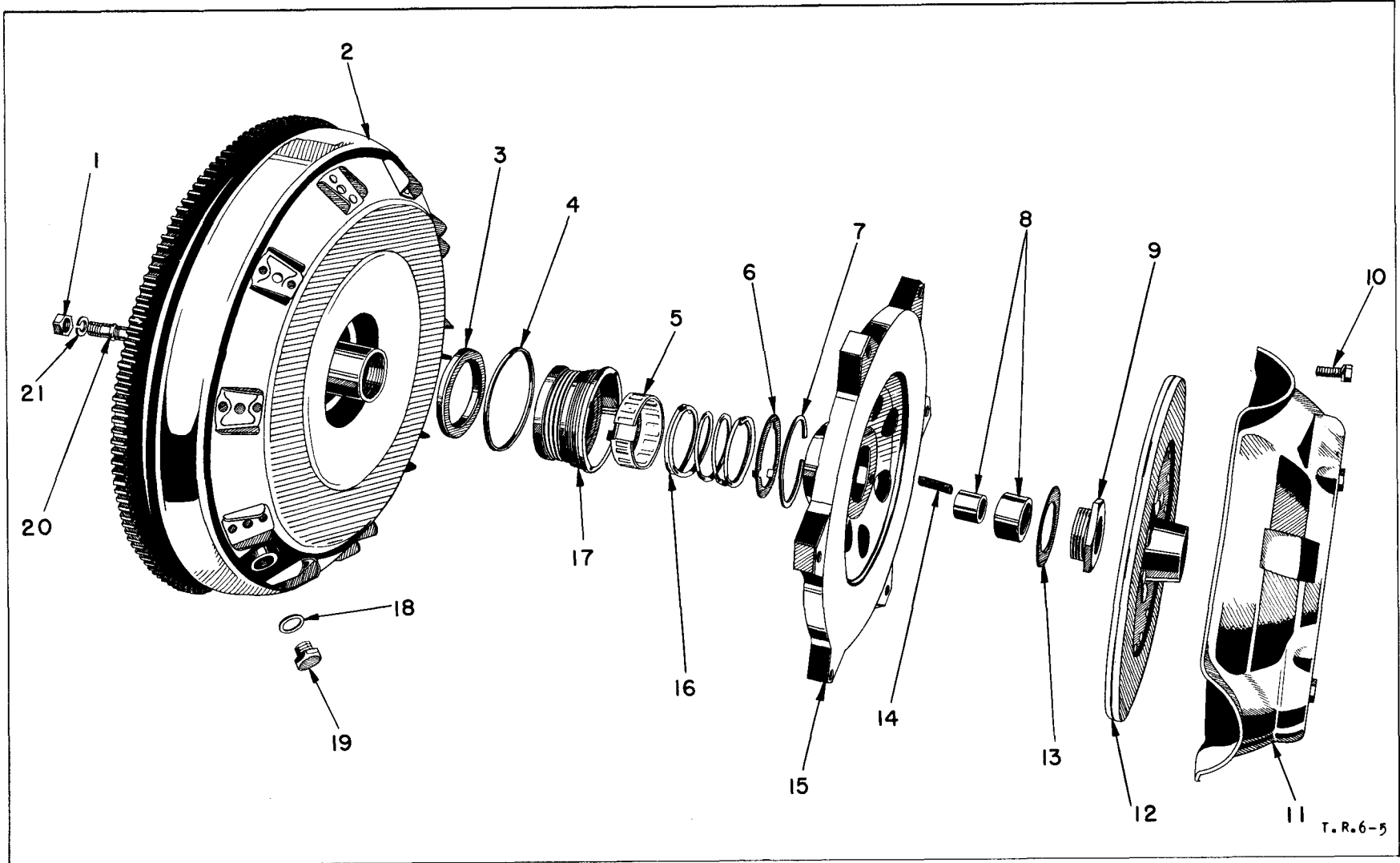
---



# FLUID COUPLING

Plate 31

9-3



T.R.6-5

GROUP 9 - ENGINE

Ref. No.	Part Name	Group	Ref. No.	Part Name	Group	Ref. No.	Part Name	Group
1	Driver flange stud.....	9-F	8	Runner bushing front-rear.....	9-F	15	Driving plate.....	9-F
2	Fluid coupling assy.....	9-F	9	Driving plate nut.....	9-F	16	Seal spring.....	9-F
3	Floating seal ring.....	9-F	10	Clutch cover screw and washer.....	6-C	17	Seal assembly.....	9-F
4	Bellows retainer gasket.....	9-F	11	Clutch cover.....	6-C	18	Filler plug gasket.....	9-F
5	Seal spring damper.....	9-F	12	Clutch disc assy.....	6-B	19	Filler plug.....	9-F
6	Seal spring retainer.....	9-F	13	Driving plate nut, lock plate.....	9-F	20	Driver flange stud.....	9-F
7	Spring retainer snap ring.....	9-F	14	Driving plate key.....	9-F	21	Driver flange stud lockwasher.....	9-F

# GROUP 9-ENGINE

**NOTE:** Parts referred to "Note 1" were used up to and including:  
 Parts referred to "Note 2" were used after the following Serial Nos. :

DG1 - 90101521  
 DG2 - 91188164

FO1 - 90520284  
 FO2 - 91509027

PART NAME	PART NO.	MODEL CODES													
		DG AND FO						DH AND FP							
		1	2	3	4	5	6	1	2	4	5	6	7		
<b>GROUP 9-A POWER PLANT</b>															
<b>Engine Assembly - Less Accessories</b>															
<b>NOTE:</b> An engine assembly less accessories consists of cylinder block assembly with pistons and rings. All valve parts, crankshaft, camshaft, sprockets, chain case cover plate, flywheel, gear case cover, water pump, cylinder head, oil pan and oiling parts, and valve cover, but does not include the manifold assembly. This unit is factory tested.															
Assembly - Chryco model - 401 - - - - -	1400472	1	..	..	..	..	..	..	..	..	..	..	..	..	
Assembly - Chryco model - 402 - - - - -	1533484	..	..	..	..	..	..	1	..	..	..	..	..	..	
Assembly - Chryco model - 421 - - - - -	1400483	..	1	..	..	..	..	..	..	..	..	..	..	..	
Assembly - Chryco model - 422 - - - - -	1533950	..	..	..	..	..	..	..	1	..	..	..	..	..	
Assembly - Chryco model - 441 - - - - -	1400493	..	..	1	1	..	..	..	..	..	..	..	..	..	
Assembly - Chryco model - 462 - - - - -	1533952	..	..	..	..	..	..	..	..	1	..	..	..	..	
Assembly - Chryco model - 471 - - - - -	1400504	..	..	..	..	1	1	..	..	..	..	..	..	..	
Assembly - Chryco model - 492 - - - - -	1533954	..	..	..	..	..	..	..	..	..	1	1	1	1	
<b>Engine Gasket Package - Complete</b>															
Package - - - - -	1106549	1	1	1	1	1	1	1	1	1	1	1	1	1	
<b>Engine Valve Grind Package</b>															
Package - - - - -	1106550	1	1	1	1	1	1	1	1	1	1	1	1	1	
<b>GROUP 9-B CYLINDER BLOCK</b>															
<b>Cylinder Block</b>															
<b>NOTE:</b> A cylinder block assembly with pistons includes the pistons and rings fitted. All cylinder blocks include main bearing caps and valve guides. But do not include main bearings.															
Assembly - - - - -	1327339	1	1	..	..	..	..	1	1	..	..	..	..	..	
Assembly - - - - -	1327232	..	..	1	1	..	..	..	..	..	..	..	..	..	
Assembly - - - - -	1402525	..	..	..	..	..	..	..	..	1	..	..	..	..	
Assembly - - - - -	1329018	..	..	..	..	1	1	..	..	..	..	..	..	..	
Assembly - - - - -	1402526	..	..	..	..	..	..	..	..	..	1	1	1	1	
Plug - core hole - - - - -	117924	5	5	5	5	5	5	5	5	5	5	5	5	5	
Plug - camshaft bearing - - - - -	117923	1	1	1	1	1	1	1	1	1	1	1	1	1	
Plug - front and rear - core plug - -	140802	2	2	2	2	2	2	2	2	2	2	2	2	2	
Plug - oil level - - - - -	143933	1	1	1	1	1	1	1	1	1	1	1	1	1	
Plug - oil hole - - - - -	143932	3	3	3	3	3	3	3	3	3	3	3	3	3	
Plug - oil distributor - - - - -	143162	2	2	2	2	2	2	2	2	2	2	2	2	2	
Plug - rear face - - - - -	117923	1	1	1	1	1	1	1	1	1	1	1	1	1	
Dowel - clutch housing - - - - -	1122532	2	2	2	2	2	2	2	2	2	2	2	2	2	
Dowel package - over - size - - - - -	1316146	1	1	1	1	1	1	1	1	1	1	1	1	1	
Tube - water distributor - - - - -	1119211	1	1	1	1	1	1	1	1	1	1	1	1	1	
Drain cock - water jacket - - - - -	103647	1	1	1	1	1	1	1	1	1	1	1	1	1	
Oil retainer - ignition distributor -	41928	1	1	1	1	1	1	1	1	1	1	1	1	1	

Indicates amount used as required.

† Indicates parts included in packages.

**GROUP 9-ENGINE**

PART NAME	PART NO.	MODEL CODES											
		DG AND FO					DH AND FP						
		1	2	3	4	5	6	1	2	4	5	6	7
<b>GROUP 9-C CYLINDER HEAD WITH CORE HOLE PLUG</b>													
<b>Cylinder Head</b>													
Assembly - - - - -	1327336	1	1	..	..	..	..	1	1	..	..	..	..
Assembly - export on DG1/DH1/FO1/FP1 - - - - -	1327235	1	..	1	1	..	..	1	..	..	..	..	..
Assembly - export on DG2/DG3/DG4/DH2/FO2/FO3/FO4/FP2 - - - - -	1327135	..	1	1	1	1	1	..	1	.	..	..	..
Assembly - export on DG6/FO6 - - - - -	1329297	..	..	..	..	..	1	..	..	1	..	..	..
Assembly - - - - -	1534101	..	..	..	..	..	..	..	..	1	1	..	..
Assembly - - - - -	1532611	..	..	..	..	..	..	..	..	..	..	1	1
Assembly - export - - - - -	1401525	..	..	..	..	..	..	..	..	..	..	1	..
Gasket - - - - -	†1327338	1	1	1	1	1	1	1	1	1	1	1	1
Screw - - - - -	666014	21	21	21	21	21	21	21	21	21	21	21	21
Plug - core hole - - - - -	192627	1	1	1	1	1	1	1	1	1	1	1	1
Plug - timing hole - - - - -	143932	1	1	1	1	1	1	1	1	1	1	1	1
Plug - heater hole - - - - -	103867	1	1	1	1	1	1	1	1	1	1	1	1
Plug - screw hole - - - - -	121852	1	1	1	1	1	1	1	1	1	1	1	1
Washer - - - - -	1116246	1	1	1	1	1	1	1	1	1	1	1	1
<b>Water Outlet Connector</b>													
Connector - - - - -	1404700	1	1	1	1	1	1	1	1	1	1	1	1
Gasket - - - - -	† 50082	1	1	1	1	1	1	1	1	1	1	1	1
Screw - - - - -	120233	2	2	2	2	2	2	2	2	2	2	2	2
Lockwasher - - - - -	120382	2	2	2	2	2	2	2	2	2	2	2	2
<b>GROUP 9-D MANIFOLD</b>													
<b>Manifold - Intake And Exhaust</b>													
Assembly - L.H.D. - - - - -	1116806	1	1	..	..	..	..	1	1	..	..	..	..
Assembly - R.H.D. - - - - -	1138040	1	1	..	..	..	..	1	1	..	..	..	..
Assembly - - - - -	1116676	..	..	1	1	1	1	..	..	1	1	..	..
Assembly - - - - -	1532094	..	..	..	..	..	..	..	..	..	..	1	..
Manifold - intake - - - - -	1407907	..	..	..	..	..	..	..	..	..	..	..	1
Manifold - exhaust - front - - - - -	1407905	..	..	..	..	..	..	..	..	..	..	..	1
Manifold - exhaust - rear - - - - -	1407906	..	..	..	..	..	..	..	..	..	..	..	1
Baffle - exhaust manifold - - - - -	1532096	..	..	..	..	..	..	..	..	..	..	1	..
Screw - intake to exhaust manifold - - - - -	1408763	..	..	..	..	..	..	..	..	..	..	..	8
Washer - - - - -	120394	..	..	..	..	..	..	..	..	..	..	..	8
Plug - choke hole - - - - -	121797	2	2	..	..	..	..	2	2	..	..	..	..
Gasket - - - - -	51019	2	2	..	..	..	..	2	2	..	..	..	..
Fuel centralizing ring - - - - -	1122465	..	..	1	1	1	1	..	..	1	1	1	1
<b>Manifold Gaskets</b>													
Gasket - intake to exhaust - - - - -	† 666352	1	1	1	1	1	1	1	1	1	1	1	..
Gasket - end - - - - -	† 666354	4	4	4	4	4	4	4	4	4	4	4	4
Gasket - center - - - - -	† 666353	1	1	1	1	1	1	1	1	1	1	1	1
<b>Manifold Gasket Package</b>													
Package - - - - -	780462	1	1	1	1	1	1	1	1	1	1	1	1
<b>Manifold Attaching Parts</b>													
Bolt - intake to exhaust - L.H.D. - - - - -	191039	4	4	..	..	..	..	4	4	..	..	..	..
Bolt - intake to exhaust - R.H.D. - - - - -	126167	4	4	..	..	..	..	4	4	..	..	..	..
Bolt - intake to exhaust - - - - -	126167	..	..	4	4	4	4	..	..	4	4	4	4
Nut - - - - -	114547	4	4	4	4	4	4	4	4	4	4	4	4
Stud - exhaust - - - - -	623369	4	4	4	4	4	4	4	4	4	4	4	4
Nut - - - - -	623370	4	4	4	4	4	4	4	4	4	4	4	4
Washer - - - - -	623368	4	4	4	4	4	4	4	4	4	4	4	4
Stud - short - - - - -	51561	7	7	7	7	7	7	7	7	7	7	7	7
Nut - - - - -	114547	7	7	7	7	7	7	7	7	7	7	7	7
Screw - exhaust manifold - - - - -	123913	2	2	2	2	2	2	2	2	2	2	2	2
Clamp washer - - - - -	43699	4	4	4	4	4	4	4	4	4	4	4	4
Plug - wiper hole - flat face cowl only - - - - -	143932	1	1	1	1	1	1	1	1	1	1	1	1
Reducer - wiper hole - - - - -	119932	1	1	1	1	..	..	1	1	1	..	..	..

Indicates amount used as required.

† Indicates parts included in packages.

**GROUP 9 - ENGINE**

PART NAME	PART NO.	MODEL CODES											
		DG AND FO					DH AND FP						
		1	2	3	4	5	6	1	2	4	5	6	7
<b>GROUP 9-D MANIFOLD (CONT'D)</b>													
<b>Manifold Heat Control Valve</b>													
Thermostat - - - - -	† 671923	1	1	1	1	1	1	1	1	1	1	..	..
Spacer - - - - -	† 644876	1	1	1	1	1	1	1	1	1	1	..	..
Shield - L.H.D. - - - - -	† 853624	1	1	..	..	..	..	1	1	..	..	..	..
Shield - R.H.D. - - - - -	1066053	1	1	..	..	..	..	1	1	..	..	..	..
Shield - - - - -	† 853624	..	..	1	1	1	1	..	..	1	1	..	..
Bolt - clamp - - - - -	† 862830	1	1	1	1	1	1	1	1	1	1	..	..
Nut - - - - -	120614	1	1	1	1	1	1	1	1	1	1	..	..
Lock - - - - -	† 1409594	1	1	1	1	1	1	1	1	1	1	..	..
Lockwasher - - - - -	138479	1	1	1	1	1	1	1	1	1	1	..	..
Shaft - - - - -	† 666351	1	1	1	1	1	1	1	1	1	1	..	..
Bushing - - - - -	† 651251	2	2	2	2	2	2	2	2	2	2	..	..
Plate - L.H.D. - - - - -	† 666350	1	1	..	..	..	..	1	1	..	..	..	..
Plate - R.H.D. - - - - -	† 1066023	1	1	..	..	..	..	1	1	..	..	..	..
Plate - - - - -	† 1066023	..	..	1	1	1	1	..	..	1	1	..	..
Stop assembly - - - - -	† 683057	1	1	1	1	1	1	1	1	1	1	..	..
Stud - - - - -	† 852271	1	1	1	1	1	1	1	1	1	1	..	..
<b>Manifold Heat Control Valve Package</b>													
Package - L.H.D. - - - - -	1316267	1	1	..	..	..	..	1	1	..	..	..	..
Package - - - - -	1316268	..	..	1	1	1	1	..	1	1	1	..	..
<b>GROUP 9-E CRANKSHAFT - CRANKSHAFT BEARINGS AND CAP</b>													
<b>Crankshaft</b>													
Assembly - - - - -	952145	1	..	..	..	..	..	1	..	..	..	..	..
Assembly - - - - -	955196	..	1	1	1	..	..	..	1	..	..	..	..
Assembly - - - - -	870745	..	..	..	..	1	1	..	..	1	1	..	..
Assembly - - - - -	1400438	..	..	..	..	..	..	..	..	..	1	1	1
Bushing - drive pinion pilot - - - - -	53298	1	1	1	1	1	1	1	1	1	1	1	1
Starting jaw - - - - -	583801	1	1	1	1	1	1	1	1	1	1	1	1
Lockwasher - - - - -	655116	1	1	1	1	1	1	1	1	1	1	1	1
Sprocker - - - - -	601760	1	1	1	1	1	1	1	1	1	1	1	1
Key - - - - -	124551	1	1	1	1	1	1	1	1	1	1	1	1
<b>Crankshaft Bearing Packages</b>													

NOTE: Crankshaft bearings should always be replaced in pairs. Never use an old bearing half with a new bearing half.

For all DG/FO models and DH1-2-4-5 and FP1-2-4-5				For DH6-7 and FP6-7			
Bearing Size	Pair Pkge. No. 1-2-3	Pair Pkge. No. 4	Complete Package	Bearing Size	Pair Pkge. No. 1-2-3	Pair Pkge. No. 4	Complete Package
Std.	1238448	1238449	992557	Std.	1326119	1326127	1511962
.001	1238450	1238451	992558	.001	1326120	1326128	1511963
.002	1238452	1238453	1087851	.002	1326121	1326129	1511964
.003	1450326	1450327	1511980	.003	1450335	1450336	1511965
.010	1238454	1238455	1056025	.010	1326122	1326130	1511966
.012	1238456	1238457	1056026	.012	1326123	1326131	1511967
.020	1311111	1311114	1056027	.020	1326124	1326132	1511968
.030	1311112	1311115	1056028	.030	1326125	1326133	1511969
.040	1311113	1311116	1107308	.040	1326126	1326134	1511970

Indicates amount used as required.

† Indicates parts included in packages.

**GROUP 9 - ENGINE**

PART NAME	PART NO.	MODEL CODES											
		DG AND FO						DH AND FP					
		1	2	3	4	5	6	1	2	4	5	6	7
<b>GROUP 9-E CRANKSHAFT - CRANKSHAFT BEARINGS AND CAPS (CONT'D)</b>													
<b>Crankshaft Bearing Caps</b>													
NOTE: Crankshaft bearing caps are line reamed to each individual engine at the factory. Therefore are not interchangeable. Replacement caps are supplied with stud holes reamed 1/64" larger and the overall length 1/16" shorter and must be fitted by shim or removing metal from the face of the cap as required, when line reaming equipment is not available.													
No. 1 - - - - -	664390	1	1	1	1	1	1	1	1	1	1	1	1
No. 2 - 3 - - - - -	664065	2	2	2	2	2	2	2	2	2	2	2	2
No. 4 - - - - -	891401	1	1	1	1	1	1	1	1	1	1	1	1
Cap screw - - - - -	864118	8	8	8	8	8	8	8	8	8	8	8	8
Lockwasher - - - - -	120384	8	8	8	8	8	8	8	8	8	8	8	8
<b>Crankshaft Rear Bearing Oil Seal Retainer Package</b>													
Package - - - - -	† 891458	1	1	1	1	1	1	1	1	1	1	1	1
Gasket - right - - - - -	† 863012	1	1	1	1	1	1	1	1	1	1	1	1
Gasket - left - - - - -	863013	1	1	1	1	1	1	1	1	1	1	1	1
Screw - to cylinder block - - - - -	44650	6	6	6	6	6	6	6	6	6	6	6	6
Lockwasher - - - - -	121753	6	6	6	6	6	6	6	6	6	6	6	6
<b>GROUP 9-F FLYWHEEL AND RING GEAR AND FLUID COUPLING</b>													
<b>Flywheel And Ring Gear</b>													
Assembly - - - - -	1312138	1	1	..	..	..	..	1	1	..	..	..	..
Assembly - - - - -	1312139	..	..	1	1	1	1	..	..	1	1	1	1
Ring gear - - - - -	1119993	1	1	1	1	1	1	1	1	1	1	1	1
Bolt - - - - -	871685	8	8	8	8	8	8	8	8	8	8	8	8
Nut - - - - -	675594	8	8	8	8	8	8	8	8	8	8	8	8
Lockwasher - - - - -	120383	8	8	8	8	8	8	8	8	8	8	8	8
<b>Fluid Coupling And Driving Plate</b>													
Assembly - - - - -	1321994	1	1	..	..	..	..	..	..	..	..	..	..
Plate - - - - -	1140421	1	1	..	..	..	..	..	..	..	..	..	..
Nut - - - - -	864003	1	1	..	..	..	..	..	..	..	..	..	..
Locking - plate - - - - -	864004	1	1	..	..	..	..	..	..	..	..	..	..
Key - - - - -	956442	1	1	..	..	..	..	..	..	..	..	..	..
Stud - driver flange - - - - -	1061157	8	8	..	..	..	..	..	..	..	..	..	..
Nut - - - - -	675594	8	8	..	..	..	..	..	..	..	..	..	..
Lockwasher - - - - -	136857	1	1	..	..	..	..	..	..	..	..	..	..
Filler plug - - - - -	863986	1	1	..	..	..	..	..	..	..	..	..	..
Gasket - - - - -	863987	1	1	..	..	..	..	..	..	..	..	..	..
Bushing - runner - front - - - - -	868381	1	1	..	..	..	..	..	..	..	..	..	..
Bushing - runner - rear - - - - -	868382	1	1	..	..	..	..	..	..	..	..	..	..
Gasket - seal ring - - - - -	1320556	1	1	..	..	..	..	..	..	..	..	..	..
Retainer - - - - -	1320557	1	1	..	..	..	..	..	..	..	..	..	..
Return spring - - - - -	1320558	1	1	..	..	..	..	..	..	..	..	..	..
Snap ring - return - - - - -	1320559	1	1	..	..	..	..	..	..	..	..	..	..
Seal housing - - - - -	1320560	1	1	..	..	..	..	..	..	..	..	..	..
Gasket - - - - -	854011	1	1	..	..	..	..	..	..	..	..	..	..
Seal ring - - - - -	1320561	1	1	..	..	..	..	..	..	..	..	..	..
<b>Fluid Drive Oil - Imperial Measure</b>													
One quart can - - - - -	830350	*	*	..	..	..	..	..	..	..	..	..	..
One gallon can - - - - -	830351	*	*	..	..	..	..	..	..	..	..	..	..
Five gallon can - - - - -	1103809	*	*	..	..	..	..	..	..	..	..	..	..

Indicates amount used as required.

† Indicates parts included in packages.

**GROUP 9 - ENGINE**

PART NAME			PART NO.	MODEL CODES																	
				DG AND FO						DH AND FP											
				1	2	3	4	5	6	1	2	4	5	6	7						
<b>GROUP 9-G CONNECTING ROD</b>																					
<b>Connecting Rod</b>																					
Assembly	-	-	954446	6	..	..	..	..	..	..	6	..	..	..	..	..	..	..	..	..	..
Assembly	-	-	1112764	..	6	6	6	..	..	..	..	6	..	..	..	..	..	..	..	..	..
Assembly	-	-	1112765	..	..	..	..	6	6	..	..	..	6	6	..	..	..	..	..	..	..
Assembly	-	-	1400242	..	..	..	..	..	..	..	..	..	..	..	..	6	6	..	..	..	6
<b>Connecting Rod Bearing Packages</b>																					
For all DG/FO models and DH1-2-4-5 and FP1-2-4-5			For DH6-7 and FP6-7																		
Bearing Size	Package For 1 Rod	Package For 6 Rods	Bearing Size	Package For 1 Rod	Package For 6 Rods																
Std.	1238558	992559	Std.	1326111	1511971																
.001	1238559	992560	.001	1326112	1511972																
.002	1238560	1087855	.002	1326113	1511973																
.003	1450328	1511981	.003	1450337	1511974																
.010	1238561	1150970	.010	1326114	1511975																
.012	1238562	1150971	.012	1326115	1511976																
.020	1103254	1150972	.020	1326116	1511977																
.030	1103255	1150973	.030	1326117	1511978																
.040	1311121	1107724	.040	1326118	1511979																

PART NAME			PART NO.	MODEL CODES																	
				DG AND FO						DH AND FP											
				1	2	3	4	5	6	1	2	4	5	6	7						
<b>Connecting Rod Bearing Cap Bolt</b>																					
Bolt	-	-	860343	12	12	12	12	12	12	12	12	12	12	12	..	..	..	..	..	..	..
Bolt	-	-	1400245	..	..	..	..	..	..	..	..	..	..	..	12	12	..	..	..	..	..
Nut	-	-	860671	12	12	12	12	12	12	12	12	12	12	12	12	12	12	12	12	12	12
Lockwasher	-	-	668555	12	12	12	12	12	12	12	12	12	12	12	12	12	12	12	12	12	12
<b>GROUP 9-H PISTONS AND RINGS</b>																					
<b>IMPORTANT</b> - Check rings for proper gap at top and bottom of ring travel.																					
<b>NOTE:</b> - Pistons listed below include piston pins which are factory fitted																					

For DG1-2/DH1-2/FO1-2/FP1-2 - 3 3/8" bore.						For DG3-4-5-6/DH4-5-6-7/FO3-4-5-6 FP4-5-6-7 - 3 7/16" bore.			
Pistons And Pins		Piston Ring Sets				Pistons And Pins		Piston Ring Sets	
Size	Assembly (6 Used)	Re Bore Ring Set	Re Ring Ring Set	Re Ring Alternate Set	2 in 1 Ring Set (Chrome)	Size	Assembly (6 Used)	Re Bore Ring Set	2 in 1 Ring Set (Chrome)
Std.	974084	974096	974108	974103	1107091	Std.	1326094	1104981	1107083
.005	974086	974096	974108	974103	1107091	.005	1326095	1104981	1107083
.020	974089	974098	974110	974105	1107092	.020	1326096	1104982	1107084
.030	974092	974099	974111	974106	1107093	.030	1326097	1104983	1107085
.040	974093	974100	974112	974107	1107094	.040	1326098	1104984	1107086
.060	1326094	974113	-----	-----	-----	.060	1326099	1104985	-----

**Piston Expander Package -** "U" slot pistons - 3 3/8" bore - use part no. 830539  
 "U" slot pistons - 3 7/16" bore - use part no. 1105776

Indicates amount used as required.

† Indicates parts included in packages.

**GROUP 9-ENGINE**

PART NAME	PART NO.	MODEL CODES										
		DG AND FO						DH AND FP				
		1	2	3	4	5	6	1	2	4	5	6
<b>GROUP 9-I PISTON PIN</b>												
<b>Piston Pin</b>												
Pin - standard - - - - -	436658	6	6	6	6	6	6	6	6	6	6	6
Pin - .003 - - - - -	203741	6	6	6	6	6	6	6	6	6	6	6
Pin - .008 - - - - -	302560	6	6	6	6	6	6	6	6	6	6	6
Lockwire - - - - -	200434	12	12	12	12	12	12	12	12	12	12	12
<b>GROUP 9-J CAMSHAFT</b>												
<b>Camshaft</b>												
Assembly - - - - -	1067201	1	1	1	1	1	1	1	1	1	1	1
<b>Camshaft Bearing</b>												
No. 1 - - - - -	632465	1	1	1	1	1	1	1	1	1	1	1
No. 2 - - - - -	665786	1	1	1	1	1	1	1	1	1	1	1
No. 3 - - - - -	665787	1	1	1	1	1	1	1	1	1	1	1
<b>Camshaft Sprocket</b>												
Sprocket - - - - -	601757	1	1	1	1	1	1	1	1	1	1	1
Key - - - - -	114813	1	1	1	1	1	1	1	1	1	1	1
Screw - - - - -	601766	3	3	3	3	3	3	3	3	3	3	3
Lockwasher - - - - -	120214	3	3	3	3	3	3	3	3	3	3	3
Hub - - - - -	869998	1	1	1	1	1	1	1	1	1	1	1
Thrust plate - - - - -	600786	1	1	1	1	1	1	1	1	1	1	1
Screw - - - - -	122007	2	2	2	2	2	2	2	2	2	2	2
Lockwasher - - - - -	120214	1	1	1	1	1	1	1	1	1	1	1
Oil tube - - - - -	600787	1	1	1	1	1	1	1	1	1	1	1
-Clip- - - - -	120520	1	1	1	1	1	1	1	1	1	1	1
Screw - - - - -	120628	1	1	1	1	1	1	1	1	1	1	1
Lockwasher - - - - -	121753	1	1	1	1	1	1	1	1	1	1	1
<b>GROUP 9-K TIMING CHAIN - CHAIN CASE COVER AND PLATE</b>												
<b>Timing Chain</b>												
Chain - - - - -	1075001	1	1	1	1	1	1	1	1	1	1	1
<b>Chain Case Cover</b>												
Assembly - - - - -	1121215	1	1	..	..	..	..	1	1	..	..	..
Assembly - - - - -	1090742	..	..	1	1	1	1	..	..	1	1	1
Reinforcement - - - - -	690939	1	1	1	1	1	1	1	1	1	1	1
Gasket - - - - -	† 600752	1	1	1	1	1	1	1	1	1	1	1
Screw - - - - -	122017	7	7	7	7	7	7	7	7	7	7	7
Screw - - - - -	122007	1	1	1	1	1	1	1	1	1	1	1
Lockwasher - - - - -	120214	8	8	8	8	8	8	8	8	8	8	8
Bolt - - - - -	120741	3	3	3	3	3	3	3	3	3	3	3
Nut - - - - -	120368	3	3	3	3	3	3	3	3	3	3	3
Lockwasher - - - - -	120214	3	3	3	3	3	3	3	3	3	3	3
<b>Chain Case Cover Plate</b>												
Plate - - - - -	688311	1	1	..	..	..	..	1	1	..	..	..
Plate - - - - -	1116749	..	..	1	1	1	1	..	..	1	1	1
Gasket - - - - -	† 695441	1	1	1	1	1	1	1	1	1	1	1
Screw - - - - -	122007	4	4	4	4	4	4	4	4	4	4	4
Lockwasher - - - - -	120214	3	3	3	3	3	3	3	3	3	3	3
Lockwasher - - - - -	138486	1	1	1	1	1	1	1	1	1	1	1
Screw - - - - -	133837	1	1	1	1	1	1	1	1	1	1	1
Lockwasher - - - - -	120214	1	1	1	1	1	1	1	1	1	1	1
Lockwasher - - - - -	134512	..	..	1	1	..	..	..	..	1	1	..
Gasket - - - - -	114622	1	1	1	1	1	1	1	1	1	1	1
Dowel - - - - -	606345	2	2	2	2	2	2	2	2	2	2	2

Indicates amount used as required.

† Indicates parts included in packages.

GROUP 9 - ENGINE

PART NAME	PART NO.	MODEL CODES										
		DG AND FO					DH AND FP					
		1	2	3	4	5	6	1	2	4	5	6
<b>GROUP 9-K TIMING CHAIN - CHAIN CASE COVER AND PLATE (CONT'D)</b>												
<b>Chain Case Cover Oil Seal Package</b>												
Package - - - - -	1064730	1	1	1	1	1	1	1	1	1	1	1
Gasket - - - - -	†1088603	1	1	1	1	1	1	1	1	1	1	1
<b>GROUP 9-L VALVES AND TAPPETS</b>												
<b>VALVES</b>												
Intake - - - - -	1109912	6	6	6	6	6	6	6	6	6	6	6
Exhaust - - - - -	1319089	6	6	6	6	..	..	6	6	..	..	..
Exhaust - - - - -	1319090	..	..	..	..	6	6	..	..	..	6	6
Seat - exhaust - std.	1319087	6	6	6	6	6	6	6	6	6	6	6
Seat - exhaust - .010	1319088	6	6	6	6	6	6	6	6	6	6	6
Stem guide - - - - -	1124959	12	12	12	12	..	..	12	12	12	..	..
Stem guide - intake	1124959	..	..	..	..	6	6	..	..	..	6	6
Stem guide - exhaust	1139373	..	..	..	..	6	6	..	..	..	6	6
<b>Valve Spring</b>												
Spring - - - - -	869449	12	12	12	12	12	12	12	12	12	12	12
Retainer - - - - -	1313268	12	12	12	12	12	12	12	12	12	12	12
Lock - - - - -	395931	24	24	24	24	24	24	24	24	24	24	24
<b>Valve Spring Cover</b>												
Cover - - - - -	665689	2	2	2	2	2	2	2	2	2	2	2
Screw - - - - -	693960	4	4	4	4	4	4	4	4	4	4	4
Gasket - cover - - - - -	† 871935	2	2	2	2	2	2	2	2	2	2	2
Gasket - screw - - - - -	† 693959	4	4	4	4	4	4	4	4	4	4	4
<b>Valve Spring Cover Gasket Package</b>												
Package - - - - -	† 980584	1	1	1	1	1	1	1	1	1	1	1
<b>Valve Tappets</b>												
Assembly - standard - - - - -	866891	12	12	12	12	12	12	12	12	12	12	12
Assembly - .001 - - - - -	866892	12	12	12	12	12	12	12	12	12	12	12
Assembly - .008 - - - - -	1123383	12	12	12	12	12	12	12	12	12	12	12
Assembly - .030 - - - - -	1123384	12	12	12	12	12	12	12	12	12	12	12
Adjust screw - - - - -	681544	12	12	12	12	12	12	12	12	12	12	12
<b>GROUP 9-M ENGINE SUPPORTS</b>												
<b>NOTE: For parts not listed see frame Group-13</b>												
<b>Engine Front Support</b>												
Plate - - - - -	852266	1	1	..	..	..	..	1	1	..	..	..
Screw - - - - -	123567	2	2	..	..	..	..	2	2	..	..	..
Lockwasher - - - - -	120383	2	2	..	..	..	..	2	2	..	..	..
Plainwasher - - - - -	79783	2	2	..	..	..	..	2	2	..	..	..
Insulator assembly - - - - -	1115744	1	1	..	..	..	..	1	1	..	..	..
Insulator assembly - - - - -	1194430	..	..	1	1	1	1	..	..	1	1	1
Nut - - - - -	120368	4	4	4	4	4	4	4	4	4	4	4
Lockwasher - - - - -	120214	4	4	..	..	..	..	4	4	..	..	..
Lockwasher - - - - -	138485	..	..	4	4	4	4	..	..	4	4	4
Plainwasher - - - - -	120851	..	..	2	2	2	2	..	..	2	2	2
<b>Engine Rear Support</b>												
Bracket - - - - -	1262457	2	2	..	..	..	..	2	2	..	..	..
Insulator assembly - upper - Note 1 - - - - -	694164	2	2	..	..	..	..	..	..	..	..	..
Insulator assembly - upper - Note 2 - - - - -	1500455	2	2	..	..	..	..	2	2	..	..	..
Insulator assembly - lower - Note 1 - - - - -	1312511	2	2	..	..	..	..	..	..	..	..	..

Indicates amount used as required.

† Indicates parts included in packages.



# GROUP 9-ENGINE

PART NAME	PART NO.	MODEL CODES											
		DG AND FO						DH AND FP					
		1	2	3	4	5	6	1	2	4	5	6	7
<b>GROUP 9-M ENGINE SUPPORTS (CONT'D)</b>													
<b>Engine Rear Support (Cont'd)</b>													
Insulator assembly - lower - Note 2 - - - -	1192809	2	2	..	..	..	..	2	2	..	..	..	..
Washer - - - - -	690509	2	2	..	..	..	..	2	2	..	..	..	..
Spacer - Note 1 - - - - -	1390681	2	2	..	..	..	..	..	..	..	..	..	..
Spacer - Note 2 - - - - -	589606	2	2	..	..	..	..	2	2	..	..	..	..
Bolt - Note 1 - - - - -	124161	2	2	..	..	..	..	..	..	..	..	..	..
Bolt - Note 2 - - - - -	124358	2	2	..	..	..	..	2	2	..	..	..	..
Nut - - - - -	120370	2	2	..	..	..	..	2	2	..	..	..	..
Lockwasher - - - - -	120383	2	2	..	..	..	..	2	2	..	..	..	..
Bolt - support - - - - -	120234	4	4	4	4	4	4	4	4	4	4	4	4
Nut - - - - -	190171	..	..	4	4	4	4	..	..	4	4	4	4
Nut - - - - -	120371	4	4	..	..	..	..	4	4	..	..	..	..
Lockwasher - - - - -	120384	4	4	..	..	..	..	4	4	..	..	..	..

## NOTES:

---



---



---



---



---



---



---



---



---



---



---



---



---



---



---



---



---



---



---



---



---



---



---



---

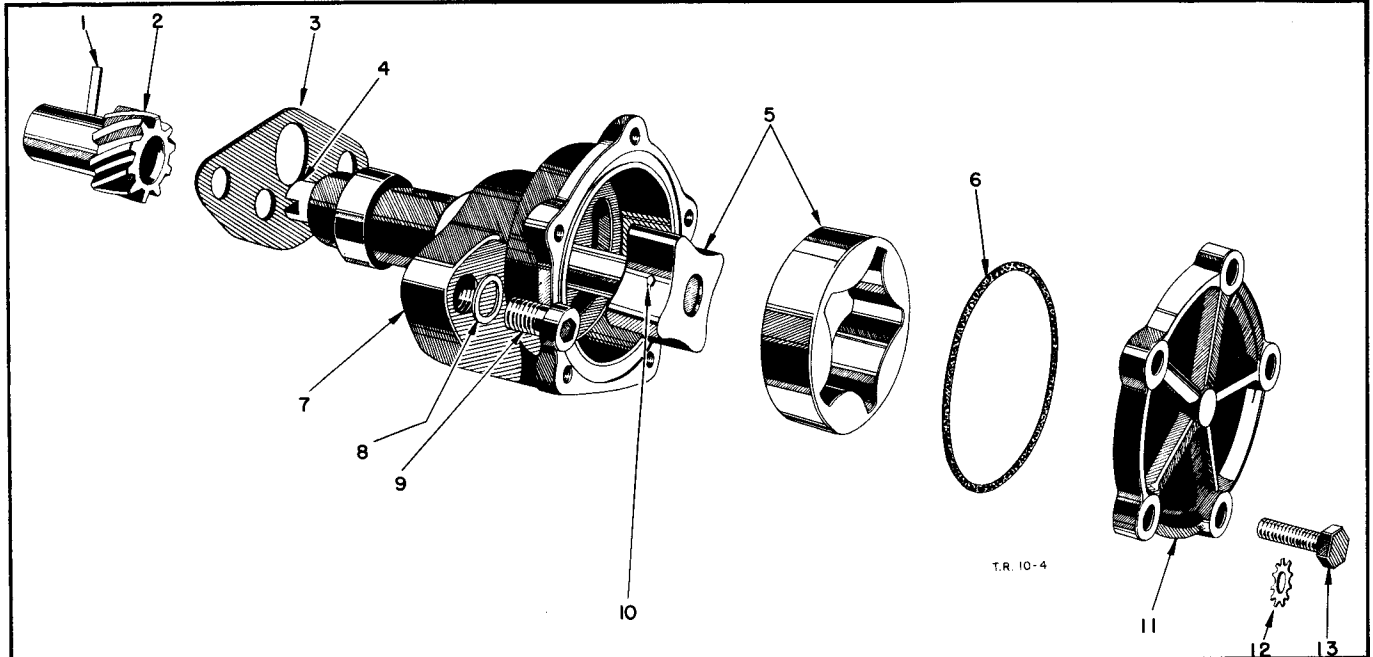


---

Indicates amount used as required. † Indicates parts included in packages.

OIL PUMP

Plate 32

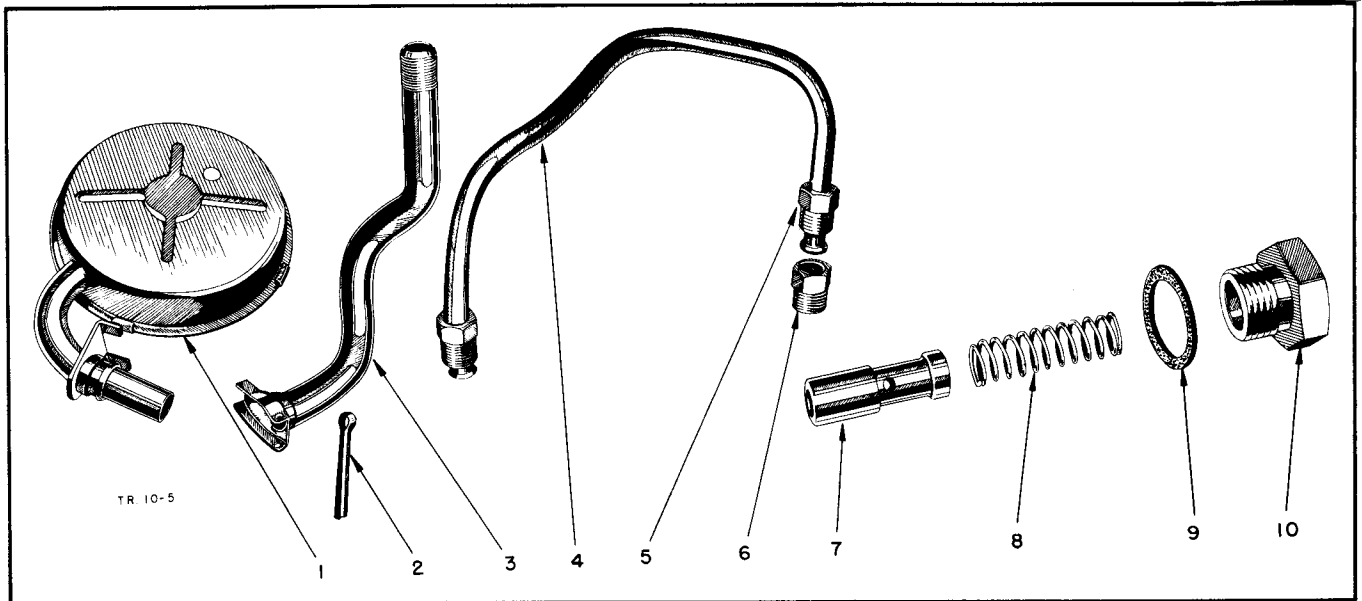


Ref. No.	Part Name	Group
1	Oil pump gear pin.....	10-D
2	Oil pump drive gear.....	10-D
3	Oil pump gasket.....	10-D
4	Oil pump shaft (serv. in pkg.).....	10-D
5	Oil pump rotor (serv. in pkg.).....	10-D
6	Cover gasket.....	10-D
7	Oil pump body.....	10-D

Ref. No.	Part Name	Group
8	Oil pump screw lockwasher.....	10-D
9	Oil pump screw.....	10-D
10	Oil pump rotor pin.....	10-D
11	Oil pump cover.....	10-D
12	Cover screw lockwasher.....	10-D
13	Cover screw.....	10-D

OIL STRAINER AND RELIEF VALVE

Plate 33



Ref. No.	Part Name	Group
1	Oil strainer.....	10-E
2	Oil strainer pin.....	10-E
3	Oil pump suction pipe.....	10-E
4	Pump outlet pipe.....	10-D
5	Outlet pipe nut.....	10-D

Ref. No.	Part Name	Group
6	Outlet pipe nut.....	10-D
7	Relief valve.....	10-E
8	Relief valve spring.....	10-E
9	Relief valve cap gasket.....	10-E
10	Relief valve cap.....	10-E

**GROUP 10-ENGINE OILING**

**Note:** - Parts referred to "Note 1" were used up to and including:  
 Parts referred to "Note 2" were used after following Engine Serial Nos. :

T 307 - 12139 C

T 311 - 5284 C

PART NAME	PART NO.	MODEL CODES											
		DG AND FO					DH AND FP						
		1	2	3	4	5	6	1	2	4	5	6	7
<b>GROUP 10-A BREATHER PIPE OR OIL FILLER</b>													
<b>Breather Pipe or Oil Filler</b>													
Pipe (Note 1) - with 1257392 Generator - -	1311758	1	1	1	1	1	1	..	..	1	1	1	1
Pipe (Note 2) - with 1257392 Generator - -	1407936	1	1	..	..	..	..	1	1	..	..	..	..
Pipe - except 1257392 Generator- - - - -	1484020	1	1	1	1	1	1	1	1	1	1	1	1
Bracket - except 1407936 pipe - - - - -	1311760	1	1	1	1	1	1	1	1	1	1	1	1
Bolt - - - - -	123473	1	1	1	1	1	1	..	..	..	..	..	..
Nut- - - - -	120368	1	1	1	1	1	1	..	..	..	..	..	..
Lockwasher - - - - -	120214	1	1	1	1	1	1	..	..	..	..	..	..
Screen- - - - -	871851	1	1	1	1	1	1	..	..	..	..	..	..
<b>Breather Pipe Air Cleaner</b>													
Assembly - - - - -	1329351	1	1	1	1	1	1	1	1	1	1	1	1
<b>Crankcase Ventilator Air Cleaner (Export)</b>													
Assembly - - - - -	1315669	1	1	1	1	1	1	1	1	1	1	1	..
Outlet pipe (Used with air cleaner) - -	1267857	1	1	1	1	1	1	1	1	1	1	1	..
Screw- - - - -	100130	1	1	1	1	1	1	1	1	1	1	1	..
Plainwasher- - - - -	120387	1	1	1	1	1	1	1	1	1	1	1	..
<b>Crankcase Ventilator Outlet Pipe</b>													
Assembly - - - - -	647371	1	1	1	1	1	1	1	1	1	1	1	..
Assembly - - - - -	1502519	..	..	..	..	..	..	..	..	..	..	..	1
Bolt- - - - -	173063	1	1	1	1	1	1	1	1	1	1	1	1
Lockwasher - - - - -	120214	1	1	1	1	1	1	1	1	1	1	1	1
Gasket - - - - -	† 301034	1	1	1	1	1	1	1	1	1	1	1	1
<b>Crankcase Ventilator (sealed type) - Positive</b>													
Assembly - vent metering valve - - - - -	1311774	1	1	1	1	1	1	1	1	1	1	1	1
Tee - metering valve to manifold- - - -	120498	1	1	..	..	..	..	1	1	..	..	..	..
Nipple - metering valve to bushing - -	120497	1	1	..	..	..	..	1	1	..	..	..	..
Bushing - reducing-metering valve to manifold - - - - -	119931	1	1	..	..	..	..	1	1	..	..	..	..
Assembly - vent tube - - - - -	1104210	1	1	..	..	..	..	1	1	..	..	..	..
Assembly - vent tube - - - - -	1106362	..	..	1	1	1	1	..	..	1	1	1	1
Connector - - - - -	145476	2	2	1	1	1	1	2	2	1	1	1	1
Elbow - - - - -	137423	..	..	1	1	1	1	..	..	1	1	1	1
Fitting - tube to cylinder block- - - -	928410	1	1	1	1	1	1	1	1	1	1	1	1
Screw- - - - -	126078	1	1	1	1	1	1	1	1	1	1	1	1
Lockwasher - - - - -	120214	1	1	1	1	1	1	1	1	1	1	1	1
Gasket - - - - -	301034	1	1	1	1	1	1	1	1	1	1	1	1
Bushing-reducing W/S wiper to manifold tube	119930	1	1	..	..	..	..	1	1	..	..	..	..
Assembly - breather pipe - - - - -	928746	1	1	1	1	1	1	1	1	1	1	1	1
Assembly - breather pipe bracket - - - -	928838	1	1	1	1	1	1	1	1	1	1	1	1
Bolt- - - - -	121661	1	1	1	1	1	1	1	1	1	1	1	1
Nut- - - - -	120368	1	1	1	1	1	1	1	1	1	1	1	1
Lockwasher - - - - -	120214	1	1	1	1	1	1	1	1	1	1	1	1
Plainwasher- - - - -	120387	1	1	1	1	1	1	1	1	1	1	1	1
Plug-breather pipe- - - - -	143932	1	1	1	1	1	1	1	1	1	1	1	1
Screw - bracket to cylinder head- - - -	123382	1	1	1	1	1	1	1	1	1	1	1	1
Plainwasher- - - - -	120394	1	1	1	1	1	1	1	1	1	1	1	1
Lockwasher - - - - -	138489	1	1	1	1	1	1	1	1	1	1	1	1
Assembly - breather pipe air cleaner - - -	928745	1	1	1	1	1	1	1	1	1	1	1	1
Gasket- - - - -	928057	1	1	1	1	1	1	1	1	1	1	1	1
Screw - - - - -	120228	2	2	2	2	2	2	2	2	2	2	2	2
Lockwasher - - - - -	120214	2	2	2	2	2	2	2	2	2	2	2	2

Indicates amount used as required.

† Indicates parts included in packages..

**GROUP 10-ENGINE OILING**

PART NAME	PART NO.	MODEL CODES											
		DG AND FO						DH AND FP					
		1	2	3	4	5	6	1	2	4	5	6	7
<b>GROUP 10-A BREATHER PIPE OR OIL FILLER (Cont'd)</b>													
<b>Crankcase Ventilator (sealed type) Positive (Cont'd)</b>													
Cylinder Head screw- - - - -	692857	1	1	1	1	1	1	1	1	1	1	1	1
Tee - brake booster manifold to check valve	1268584	..	..	1	1	1	1	..	..	1	1	1	1
Plug - Exc. 2 - speed Axle- - - - -	1260718	..	..	1	1	1	1	..	..	1	1	1	1
<b>GROUP 10-B OIL GAUGE AND TUBES</b>													
<b>Oil Gauge</b>													
Assembly - Exc. F/F cowl - - - - -	1271231	1	1	1	1	1	1	1	1	1	1	1	1
Assembly - F/F cowl- - - - -	1272352	1	1	1	1	1	1	1	1	1	1	1	1
<b>Oil Gauge Tube</b>													
Assembly - upper L.H.D.- - - - -	861523	1	1	1	1	1	1	1	1	1	1	1	1
Assembly - upper R.H.D.- - - - -	861525	1	1	1	1	1	1	1	1	1	1	1	..
Assembly - lower - - - - -	861545	1	1	1	1	1	1	1	1	1	1	1	1
Nut assembly- - - - -	1319043	1	1	1	1	1	1	1	1	1	1	1	1
Nut - - - - -	137396	3	3	3	3	3	3	3	3	3	3	3	3
Hose - flexible- - - - -	655498	1	1	1	1	1	1	1	1	1	1	1	1
<b>GROUP 10-C OIL FILTER AND TUBES</b>													
<b>Oil Filter</b>													
Assembly - sealed type - - - - -	861028	1	1	1	..	..	..	1	1	..	..	..	..
Assembly - replaceable type- - - - -	1324428	1	1	1	1	1	1	1	1	1	1	1	1
Cartridge assembly- - - - -	1121694	1	1	1	1	1	1	1	1	1	1	1	1
Cover Assembly- - - - -	1325816	1	1	1	1	1	1	1	1	1	1	1	1
Gasket - - - - -	852750	1	1	1	1	1	1	1	1	1	1	1	1
Bracket - - - - -	1322247	1	1	1	1	1	..	1	1	1	1	..	..
Clamp - bracket - - - - -	1320519	2	2	2	2	2	2	2	2	2	2	2	2
Bolt - - - - -	133053	1	1	1	1	1	1	1	1	1	1	1	1
Nut- - - - -	120375	1	1	1	1	1	1	1	1	1	1	1	1
Lockwasher - - - - -	120380	1	1	1	1	1	1	1	1	1	1	1	1
Screw - attaching - - - - -	122119	2	2	2	2	2	2	2	2	2	2	2	2
Plainwasher- - - - -	120394	2	2	2	2	2	2	2	2	2	2	2	2
Lockwasher - - - - -	120382	2	2	2	2	2	2	2	2	2	2	2	2
<b>Oil Filter Tube</b>													
Assembly - oil filter to engine tube - - - -	861539	1	1	1	1	1	1	1	1	1	1	1	1
Assembly - engine to oil filter tube - with 861028 assembly - - - - -	861543	1	1	1	..	..	..	1	1	..	..	..	..
Assembly - engine to oil filter tube - with 1324428 assembly- - - - -	861539	1	1	1	1	1	1	1	1	1	1	1	1
Nipple - oil filter to engine tube- - - -	431537	1	1	1	1	1	1	1	1	1	1	1	1
Elbow - oil filter to engine tube - - - -	127829	1	1	1	1	1	1	1	1	1	1	1	1
Elbow - engine to oil filter tube - - - -	137420	1	1	1	1	1	1	1	1	1	1	1	1
Elbow - engine to oil filter and gauge tube- - - - -	694914	1	1	1	1	1	1	1	1	1	1	1	1
Nut - - - - -	137396	4	4	4	4	4	4	4	4	4	4	4	4
<b>GROUP 10-D OIL PUMP AND OUTLET PIPE</b>													
<b>Oil Pump</b>													
Assembly - - - - -	1314610	1	1	1	1	1	1	1	1	1	1	1	1
Gasket- - - - -	† 695442	1	1	1	1	1	1	1	1	1	1	1	1
Screw- - - - -	175221	2	2	2	2	2	2	2	2	2	2	2	2
Lockwasher- - - - -	120382	2	2	2	2	2	2	2	2	2	2	2	2

Indicates amount used as required.

† Indicates parts included in packages.

**GROUP 10-ENGINE OILING**

PART NAME	PART NO.	MODEL CODES										
		DG AND FO					DH AND FP					
		1	2	3	4	5	6	1	2	4	5	6
<b>GROUP 10-D OIL PUMP AND OUTLET PIPE (Cont'd)</b>												
<b>Oil Pump (Cont'd)</b>												
Body - - - - -	1314611	1	1	1	1	1	1	1	1	1	1	1
Cover - - - - -	863723	1	1	1	1	1	1	1	1	1	1	1
Gasket - - - - -	†1124984	1	1	1	1	1	1	1	1	1	1	1
Bolt - - - - -	864148	5	5	5	5	5	5	5	5	5	5	5
Gear - pump and distributor drive- - - - -	601268	1	1	1	1	1	1	1	1	1	1	1
Pin - - - - -	112032	1	1	1	1	1	1	1	1	1	1	1
<b>Oil Pump Shaft and Rotor Package</b>												
Package- - - - -	1316143	1	1	1	1	1	1	1	1	1	1	1
Pin - rotor - - - - -	867386	1	1	1	1	1	1	1	1	1	1	1
<b>Oil Pump Outlet Pipe</b>												
Assembly - - - - -	665806	1	1	1	1	1	1	1	1	1	1	1
Nut - - - - -	137400	2	2	2	2	2	2	2	2	2	2	2
Nipple- - - - -	671152	2	2	2	2	2	2	2	2	2	2	2
<b>GROUP 10-E OIL PRESSURE RELIEF VALVE AND OIL STRAINER</b>												
<b>Oil Pressure Relief Valve</b>												
Plunger- - - - -	1142998	1	1	1	1	1	1	1	1	1	1	1
Cap - - - - -	618621	1	1	1	1	1	1	1	1	1	1	1
Gasket- - - - -	† 618622	1	1	1	1	1	1	1	1	1	1	1
Spring- - - - -	1119994	1	1	1	1	1	1	1	1	1	1	1
Spring - light- - - - -	1119995	1	1	1	1	1	1	1	1	1	1	1
Spring - heavy- - - - -	1119996	1	1	1	1	1	1	1	1	1	1	1
<b>Oil Strainer</b>												
Assembly - - - - -	862831	1	1	1	1	1	1	1	1	1	1	1
Cotter Pin- - - - -	119209	1	1	1	1	1	1	1	1	1	1	1
Suction pipe assembly- - - - -	1125417	1	1	1	1	1	1	1	1	1	1	1
<b>GROUP 10-F OIL PAN AND LEVEL INDICATOR</b>												
<b>Oil Pan</b>												
Assembly - - - - -	1400203	1	1	1	1	1	1	1	1	1	1	1
Gasket - right- - - - -	† 665802	1	1	1	1	1	1	1	1	1	1	1
Gasket - left - - - - -	†1138886	1	1	1	1	1	1	1	1	1	1	1
Gasket - front and rear - - - - -	† 866680	2	2	2	2	2	2	2	2	2	2	2
Screw - attaching- - - - -	122007	20	20	20	20	20	20	20	20	20	20	20
Lockwasher - - - - -	138486	20	20	20	20	20	20	20	20	20	20	20
Drain plug- - - - -	50722	1	1	1	1	1	1	1	1	1	1	1
Gasket - - - - -	† 105456	1	1	1	1	1	1	1	1	1	1	1
<b>Oil Pan Gasket Package</b>												
Package- - - - -	1243628	1	1	1	1	1	1	1	1	1	1	1
<b>Oil Pan Front End Oil Seal Plate Package</b>												
Package- - - - -	1115100	1	1	1	1	1	1	1	1	1	1	1
Seal- - - - -	† 1066873	2	2	2	2	2	2	2	2	2	2	2
Screw - - - - -	132268	2	2	2	2	2	2	2	2	2	2	2
Lockwasher - - - - -	121753	2	2	2	2	2	2	2	2	2	2	2
Screw - - - - -	122007	1	1	1	1	1	1	1	1	1	1	1
<b>Oil Lever Indicator</b>												
Assembly - - - - -	1140616	1	1	1	1	1	1	1	1	1	1	1
Tube- - - - -	1125412	1	1	1	1	1	1	1	1	1	1	1

Indicates amount used as required.

† Indicates parts included in packages.

**GROUP 11 - EXHAUST**

**11-1**

PART NAME	PART NO.	MODEL CODES										
		DG AND FO					DH AND FP					
		1	2	3	4	5	6	1	2	4	5	6
<b>GROUP 11-A EXHAUST PIPE AND BRACKET</b>												
<b>Exhaust Pipe</b>												
Assembly - L.H.D. - - - - -	1195126	1	1	..	..	..	..	..	..	..	..	..
Assembly - L.H.D. - - - - -	1501855	..	..	..	..	..	..	1	1	..	..	..
Assembly - R.H.D. - - - - -	1195412	1	1	..	..	..	..	..	..	..	..	..
Assembly - R.H.D. - - - - -	1501858	..	..	..	..	..	..	1	1	..	..	..
Assembly - L.H.D. - - - - -	1194745	..	..	1	1	..	..	..	..	..	..	..
Assembly - R.H.D. - - - - -	1196339	..	..	1	1	..	..	..	..	..	..	..
Assembly - L.H.D. - 152" and 192" W.B. bus -	1261076	..	..	..	1	..	..	..	..	..	..	..
Assembly - L.H.D. - - - - -	1194757	..	..	..	..	1	1	..	..	1	1	1
Assembly - R.H.D. - - - - -	1196341	..	..	..	..	1	1	..	..	1	1	1
Assembly - L.H.D. - 212" W.B. bus -	1261077	..	..	..	..	..	1	..	..	..	..	..
Assembly - front - - - - -	1502524	..	..	..	..	..	..	..	..	..	..	1
Assembly - rear - - - - -	1502525	..	..	..	..	..	..	..	..	..	..	1
Gasket - flange - L.H.D. - - - - -	† 623361	1	1	..	..	..	..	1	1	..	..	..
Gasket - flange - R.H.D. - - - - -	† 683051	1	1	..	..	..	..	1	1	..	..	..
Gasket - flange - - - - -	† 683051	..	..	1	1	1	1	..	..	1	1	1
Gasket - flange - - - - -	1408574	..	..	..	..	..	..	..	..	..	..	2
Elbow - exhaust manifold - R.H.D. - - - - -	1117243	..	..	1	1	1	1	..	..	1	1	1
Gasket - - - - -	683051	..	..	1	1	1	1	..	..	1	1	1
Bolt - - - - -	120677	..	..	4	4	4	4	..	..	4	4	4
Nut - - - - -	125913	..	..	4	4	4	4	..	..	4	4	4
Bolt - flange - L.H.D. - - - - -	124133	2	2	..	..	..	..	2	2	..	..	..
Nut - - - - -	114544	2	2	..	..	..	..	2	2	..	..	..
Bolt - flange - R.H.D. - - - - -	120668	4	4	..	..	..	..	4	4	..	..	..
Nut - - - - -	114547	4	4	..	..	..	..	4	4	..	..	..
Bolt - flange - - - - -	120677	..	..	4	4	4	4	..	..	4	4	4
Nut - - - - -	114547	..	..	4	4	4	4	..	..	4	4	4
Clamp - saddle - 152" and 192" W.B. bus -	597452	..	..	..	1	..	..	..	..	..	..	..
U-Bolt - - - - -	597453	..	..	..	1	..	..	..	..	..	..	..
Nut - - - - -	120376	..	..	..	2	..	..	..	..	..	..	..
Lockwasher - - - - -	138485	..	..	..	2	..	..	..	..	..	..	..
Clamp - saddle - 212" W.B. bus -	597755	..	..	..	..	..	1	..	..	..	..	..
U-Bolt - - - - -	597756	..	..	..	..	..	1	..	..	..	..	..
Nut - - - - -	120376	..	..	..	..	..	2	..	..	..	..	..
Lockwasher - - - - -	120214	..	..	..	..	..	2	..	..	..	..	..
Support - clamp - L.H.D. - - - - -	1501122	..	..	..	..	..	..	1	1	..	..	..
Support - clamp - R.H.D. - - - - -	1501144	..	..	..	..	..	..	1	1	..	..	..
Clamp - L.H.D. - - - - -	1501123	..	..	..	..	..	..	1	1	..	..	..
Clamp - R.H.D. - - - - -	1501143	..	..	..	..	..	..	1	1	..	..	..
Bolt - - - - -	120647	..	..	..	..	..	..	1	1	..	..	..
Nut - - - - -	120369	..	..	..	..	..	..	1	1	..	..	..
Lockwasher - - - - -	120382	..	..	..	..	..	..	1	1	..	..	..
Plainwasher - - - - -	120394	..	..	..	..	..	..	1	1	..	..	..
Clamp package - exhaust pipe end - - - - -	1064458	1	1	..	..	..	..	1	1	..	..	..
Bolt - - - - -	120677	2	2	..	..	..	..	2	2	..	..	..
Nut - - - - -	120369	2	2	..	..	..	..	2	2	..	..	..
Lockwasher - - - - -	120382	2	2	..	..	..	..	2	2	..	..	..
<b>GROUP 11-B MUFFLER</b>												
<b>Muffler</b>												
Assembly - - - - -	1195399	1	1	..	..	..	..	1	1	..	..	..
Assembly - - - - -	1196056	..	..	1	1	..	..	..	..	..	..	..
Assembly - 152" and 192" W.B. bus -	1195399	..	..	..	1	..	..	..	..	..	..	..
Assembly - - - - -	917564	..	..	..	..	1	1	..	..	1	1	2
Assembly - 212" W.B. bus - - - - -	1266490	..	..	..	..	..	1	..	..	..	..	..
<b>Muffler Brackets</b>												
Bracket - front - - - - -	1266076	..	..	1	1	..	..	..	..	1	..	..
Bracket - front - - - - -	598521	..	..	..	..	1	1	..	..	..	1	1
Bracket - front - - - - -	1502522	..	..	..	..	..	..	..	..	..	..	1
Bracket - front - lower - 192" W.B. bus -	1264898	..	..	..	1	..	..	..	..	..	..	..

Indicates amount used as required.

† Indicates parts included in packages.

**GROUP 11-EXHAUST**

PART NAME	PART NO.	MODEL CODES											
		DG AND FO					DH AND FP						
		1	2	3	4	5	6	1	2	4	5	6	7
<b>GROUP 11-B MUFFLER (Cont'd)</b>													
<b>Muffler Brackets (Cont'd)</b>													
Bracket - rear - upper- - - - -	574391	..	..	1	1	..	..	..	..	1	..	..	..
Bracket - rear - lower- - - - -	1266077	..	..	1	1	..	..	..	..	1	..	..	..
Bracket - rear - lower - 192" W.B. bus- - -	1266077	..	..	..	1	..	..	..	..	..	..	..	..
Bracket - rear - upper- - - - -	1194754	..	..	..	..	.1	1	..	..	..	1	1	..
Bracket - rear - lower- - - - -	1194756	..	..	..	..	1	1	..	..	..	1	1	..
Bracket - rear - - - - -	1502523	..	..	..	..	..	..	..	..	..	..	..	1
Bolt - to frame- - - - -	121661	..	..	4	4	4	..	..	..	4	4	..	..
Bolt - clamp and to frame- - - - -	123499	..	..	3	3	3	7	..	..	3	3	7	..
Bolt - to frame- - - - -	121783	..	..	..	..	..	..	..	..	..	..	..	4
Nut- - - - -	120368	..	..	7	7	7	7	..	..	7	7	7	8
Lockwasher- - - - -	120214	..	..	7	7	7	7	..	..	7	7	7	8
Insulator - bracket to bolt- - - - -	677701	..	..	..	..	..	..	..	..	..	..	..	4
Washer - bracket to bolt - - - - -	678722	..	..	..	..	..	..	..	..	..	..	..	4
Spacer - bracket to bolt - - - - -	1394152	..	..	..	..	..	..	..	..	..	..	..	4
Package clamp - bracket - front- - - - -	1321107	..	..	..	..	..	..	..	..	..	..	..	2
Package clamp - bracket - rear - - - - -	1321106	..	..	..	..	..	..	..	..	..	..	..	2
Bolt- - - - -	121615	..	..	..	..	..	..	..	..	..	..	..	4
Nut - - - - -	120369	..	..	..	..	..	..	..	..	..	..	..	4
Lockwasher- - - - -	120382	..	..	..	..	..	..	..	..	..	..	..	4
<b>GROUP 11-C MUFFLER TAIL PIPE</b>													
<b>Muffler Tail Pipe</b>													
Tail pipe - - - - -	1194139	1	..	..	..	..	..	1	..	..	..	..	..
Tail pipe - - - - -	1194158	..	1	..	..	..	..	..	1	..	..	..	..
Tail pipe - - - - -	577228	..	..	1	1	..	..	..	..	..	..	..	..
Tail pipe - - - - -	577230	..	..	..	..	1	1	..	..	1	1	1	2
Tail pipe - front 152" W.B. bus - - - - -	1260971	..	..	..	1	..	..	..	..	..	..	..	..
Tail pipe - front 192" W.B. bus - - - - -	1260981	..	..	..	1	..	..	..	..	..	..	..	..
Tail pipe - front 212" W.B. bus - - - - -	1261150	..	..	..	..	..	1	..	..	..	..	..	..
Tail pipe - intermediate - 152" W.B. and 192" W.B. bus- - - - -	1260969	..	..	..	1	..	..	..	..	..	..	..	..
Tail pipe - intermediate - 212" W.B. bus- - -	1190783	..	..	..	..	..	1	..	..	..	..	..	..
Tail pipe - rear - 152" W.B. bus- - - - -	1390742	..	..	..	1	..	..	..	..	..	..	..	..
Tail pipe - rear - 192" W.B. bus- - - - -	1260979	..	..	..	1	..	..	..	..	..	..	..	..
Tail pipe - rear - 212" W.B. bus- - - - -	1261148	..	..	..	..	..	1	..	..	..	..	..	..
<b>Muffler Tail Pipe and Brackets - for use with Exhaust Discharge in Front of Rear Wheels - 152" - 170" W.B.</b>													
Tail pipe - 152" W.B. - - - - -	1103334	..	..	..	..	1	1	..	..	..	1	1	..
Tail pipe - 170" W.B. - - - - -	1103333	..	..	..	..	1	1	..	..	..	1	1	..
Bracket - upper - - - - -	574391	..	..	..	..	1	1	..	..	..	1	1	..
Bracket - lower - - - - -	1194756	..	..	..	..	1	1	..	..	..	1	1	..
Bolt - to frame and clamp- - - - -	121661	..	..	..	..	4	4	..	..	..	4	4	..
Nut - - - - -	120368	..	..	..	..	4	4	..	..	..	4	4	..
Lockwasher- - - - -	120214	..	..	..	..	4	4	..	..	..	4	4	..
Bracket - rear- - - - -	587903	..	..	..	..	1	1	..	..	..	1	1	..
Bolt - clamp - - - - -	121661	..	..	..	..	1	1	..	..	..	1	1	..
Nut - - - - -	120368	..	..	..	..	1	1	..	..	..	1	1	..
Lockwasher- - - - -	120214	..	..	..	..	1	1	..	..	..	1	1	..
Bolt - to frame- - - - -	121615	..	..	..	..	1	1	..	..	..	1	1	..
Nut - - - - -	120369	..	..	..	..	1	1	..	..	..	1	1	..
Lockwasher- - - - -	120382	..	..	..	..	1	1	..	..	..	1	1	..
<b>Muffler Tail Pipe Brackets - for use with Long Tail Pipe for School Bus</b>													
Bracket - front - - - - -	574390	..	..	..	1	..	..	..	..	..	..	..	..
Bracket - front - - - - -	587903	..	..	..	..	..	1	..	..	..	..	..	..
Bracket - intermediate- - - - -	1190277	..	..	..	1	..	..	..	..	..	..	..	..
Bracket - intermediate - front- - - - -	582069	..	..	..	..	..	1	..	..	..	..	..	..

Indicates amount used as required.

† Indicates parts included in packages.

**GROUP 11 - EXHAUST**

PART NAME	PART NO.	MODEL CODES													
		DG AND FO						DH AND FP							
		1	2	3	4	5	6	1	2	4	5	6	7		
<b>GROUP 11-C MUFFLER TAIL PIPE (Cont'd)</b>															
<b>Muffler Tail Pipe Bracket - for use with Long Tail Pipe for School Bus (Cont'd)</b>															
Bracket - intermediate - rear- - - - -	1190277	..	..	..	..	..	1	..	..	..	..	..	..		
Bracket - rear - - - - -	1260983	..	..	..	1	..	2	..	..	..	..	..	..		
Bolt - bracket clamp- - - - -	123499	..	..	..	3	..	5	..	..	..	..	..	..		
Nut- - - - -	120368	..	..	..	3	..	5	..	..	..	..	..	..		
Plainwasher- - - - -	120393	..	..	..	3	..	5	..	..	..	..	..	..		
Lockwasher - - - - -	120214	..	..	..	3	..	5	..	..	..	..	..	..		
Bolt - bracket - rear on 212" W.B.- - - -	121615	..	..	..	3	..	3	..	..	..	..	..	..		
Nut- - - - -	120369	..	..	..	3	..	3	..	..	..	..	..	..		
Lockwasher - - - - -	120382	..	..	..	3	..	3	..	..	..	..	..	..		
Bolt - bracket - front- - - - -	120741	..	..	..	..	..	2	..	..	..	..	..	..		
Nut- - - - -	120368	..	..	..	..	..	2	..	..	..	..	..	..		
Lockwasher - - - - -	120214	..	..	..	..	..	2	..	..	..	..	..	..		
<b>Muffler Clamp Package</b>															
Package - tail pipe end- - - - -	1064456	*	*	..	..	..	..	*	*	..	..	..	..		
Package - school bus - tail pipe end - - - -	1064456	..	..	..	*	..	*	..	..	..	..	..	..		
<b>Tail Pipe Front Support</b>															
Support- - - - -	1390309	1	1	..	..	..	..	1	1	..	..	..	..		
Grommet - - - - -	676763	1	1	..	..	..	..	1	1	..	..	..	..		
Washer - - - - -	631495	2	2	..	..	..	..	2	2	..	..	..	..		
Sleeve - - - - -	676765	1	1	..	..	..	..	1	1	..	..	..	..		
Bolt - to frame - - - - -	123785	1	1	..	..	..	..	1	1	..	..	..	..		
Nut- - - - -	120368	1	1	..	..	..	..	1	1	..	..	..	..		
Lockwasher - - - - -	120214	1	1	..	..	..	..	1	1	..	..	..	..		
Bolt - clamp- - - - -	123499	1	1	..	..	..	..	1	1	..	..	..	..		
Nut- - - - -	120368	1	1	..	..	..	..	1	1	..	..	..	..		
Lockwasher - - - - -	120214	1	1	..	..	..	..	1	1	..	..	..	..		
<b>Tail Pipe Rear Support</b>															
Support- - - - -	587903	1	1	..	..	..	..	1	1	..	..	..	..		
Bolt - to frame - - - - -	120741	1	1	..	..	..	..	1	1	..	..	..	..		
Bolt - to clamp - - - - -	123499	1	1	..	..	..	..	1	1	..	..	..	..		
Nut- - - - -	120368	2	2	..	..	..	..	2	2	..	..	..	..		
Lockwasher - - - - -	120214	2	2	..	..	..	..	2	2	..	..	..	..		

**NOTES:**

---

---

---

---

---

---

---

---

---

---

---

---

---

---

---

---

Indicates amount used as required.

† Indicates parts included in packages.



GROUP 12 - FENDERS AND SHEET METAL

PART NAME	PART NO.	MODEL CODES											
		DG AND FO					DH AND FP						
		1	2	3	4	5	6	1	2	4	5	6	7
<b>GROUP 12-A ENGINE DUST PAN</b>													
<b>Engine Dust Pan</b>													
Dust pan - right - L.H.D. - - - - -	1196322	1	1	..	..	..	..	1	1	..	..	..	..
Dust pan - left - L.H.D. - - - - -	1196323	1	1	..	..	..	..	1	1	..	..	..	..
Dust pan - right - R.H.D. - - - - -	1196336	1	1	..	..	..	..	1	1	..	..	..	..
Dust pan - left - R.H.D. - - - - -	1269578	1	1	..	..	..	..	1	1	..	..	..	..
Dust pan - right - L.H.D. - - - - -	1195136	..	..	1	1	1	1	..	..	1	1	1	1
Dust pan - left - L.H.D. - - - - -	1195137	..	..	1	1	1	1	..	..	1	1	1	1
Dust pan - right - R.H.D. - - - - -	1196494	..	..	1	1	1	1	..	..	1	1	1	1
Dust pan - left - R.H.D. - - - - -	1196495	..	..	1	1	1	1	..	..	1	1	1	1
Screw - - - - -	120228	*	*	*	*	*	*	*	*	*	*	*	*
Screw - large - - - - -	122104	..	..	*	*	*	*	*	..	*	*	*	*
Bolt - to frame - - - - -	123461	*	*	*	*	*	*	*	*	*	*	*	*
Nut - - - - -	120367	*	*	*	*	*	*	*	*	*	*	*	*
Lockwasher - - - - -	1093270	*	*	*	*	*	*	*	*	*	*	*	*
Washer - large - - - - -	120394	..	..	*	*	*	*	..	..	*	*	*	*
<b>GROUP 12-B FRONT FENDER</b>													
<b>Front Fender</b>													
Assembly - right - - - - -	1097508	1	1	..	..	..	..	1	1	..	..	..	..
Assembly - left - - - - -	1097509	1	1	..	..	..	..	1	1	..	..	..	..
Fender - right - - - - -	1097991	..	..	1	1	1	1	..	..	1	1	1	1
Fender - left - - - - -	1097992	..	..	1	1	1	1	..	..	1	1	1	1
<b>Front Fender Housing</b>													
Assembly - right - - - - -	1097661	..	..	1	1	1	1	..	..	1	1	1	1
Assembly - left - - - - -	1097662	..	..	1	1	1	1	..	..	1	1	1	1
Screw assembly - fender housing to fender	1279617	..	..	14	14	14	14	..	..	14	14	14	14
Screw - fender to fender housing - - - - -	120741	..	..	2	2	2	2	..	..	2	2	2	2
Nut assembly - - - - -	1277359	..	..	14	14	14	14	..	..	14	14	14	14
Nut - - - - -	120368	..	..	2	2	2	2	..	..	2	2	2	2
Lockwasher - - - - -	1093272	..	..	2	2	2	2	..	..	2	2	2	2
Plainwasher - - - - -	120387	..	..	2	2	2	2	..	..	2	2	2	2
Welt - to fender - 50' roll - - - - -	680413	..	..	*	*	*	*	..	..	*	*	*	*
Screw - housing to radiator grille panel - - - - -	120741	14	14	14	14	14	14	14	14	14	14	14	14
Sealer - housing to radiator grille panel - - - - -	1199032	*	*	*	*	*	*	*	*	*	*	*	*
<b>Front Fender Housing Rear, Support Bracket</b>													
Bracket - - - - -	1097628	2	2	2	2	2	2	2	2	2	2	2	2
Screw - to support - - - - -	123520	4	4	4	4	4	4	4	4	4	4	4	4
Nut - - - - -	120369	4	4	4	4	4	4	4	4	4	4	4	4
Lockwasher - - - - -	1094595	4	4	4	4	4	4	4	4	4	4	4	4
Plainwasher - - - - -	120388	4	4	4	4	4	4	4	4	4	4	4	4
Filler - support to cowl - - - - -	1097571	*	*	*	*	*	*	*	*	*	*	*	*
Rivet - - - - -	113194	*	*	*	*	*	*	*	*	*	*	*	*
Screw - support to frame - - - - -	123852	2	2	2	2	2	2	2	2	2	2	2	2
Nut - - - - -	120370	2	2	2	2	2	2	2	2	2	2	2	2
Lockwasher - - - - -	1197310	4	4	4	4	4	4	4	4	4	4	4	4
<b>Front Fender Housing to Cowl Bracket</b>													
Assembly - - - - -	1275016	2	2	2	2	2	2	2	2	2	2	2	2
Pad - - - - -	1199412	*	*	*	*	*	*	*	*	*	*	*	*
Nut - - - - -	120369	4	4	4	4	4	4	4	4	4	4	4	4
Screw - - - - -	120668	4	4	4	4	4	4	4	4	4	4	4	4
Screw - - - - -	120677	4	4	4	4	4	4	4	4	4	4	4	4
Lockwasher - - - - -	1093885	4	4	4	4	4	4	4	4	4	4	4	4
Plainwasher - - - - -	667725	4	4	4	4	4	4	4	4	4	4	4	4
Filler - - - - -	1279139	*	*	*	*	*	*	*	*	*	*	*	*
Rivet - - - - -	113194	14	14	14	14	14	14	14	14	14	14	14	14

Indicates amount used as required.

† Indicates parts included in packages.

**GROUP 12-FENDERS AND SHEET METAL**

PART NAME	PART NO.	MODEL CODES											
		DG AND FO					DH AND FP						
		1	2	3	4	5	6	1	2	4	5	6	7
<b>GROUP 12-B FRONT FENDER (Cont'd)</b>													
<b>Front Fender Housing to Body Support Shield</b>													
Shield - right- - - - -	1197603	1	1	..	..	..	..	1	1	..	..	..	..
Shield - left - - - - -	1197604	1	1	..	..	..	..	1	1	..	..	..	..
Shield - right- - - - -	1197607	..	..	1	1	1	1	..	..	1	1	1	1
Shield - left - - - - -	1197608	..	..	1	1	1	1	..	..	1	1	1	1
Screw - to fender housing-	443907	2	2	..	..	..	..	2	2	..	..	..	..
Screw - to fender housing-	121661	2	2	4	4	4	4	2	2	4	4	4	4
Nut - - - - -	120368	4	4	4	4	4	4	4	4	4	4	4	4
Plainwasher - - - - -	120387	2	2	4	4	4	4	2	2	4	4	4	4
Lockwasher- - - - -	1093272	4	4	4	4	4	4	4	4	4	4	4	4
Screw - to support - - - - -	1096643	2	2	2	2	2	2	2	2	2	2	2	2
J/Nut - - - - -	1197626	2	2	2	2	2	2	2	2	2	2	2	2
Plainwasher - - - - -	120387	2	2	2	2	2	2	2	2	2	2	2	2
Screw - to battery support strap - - - - -	120741	1	1	..	..	..	..	1	1	..	..	..	..
Nut - - - - -	120368	1	1	..	..	..	..	1	1	..	..	..	..
Lockwasher- - - - -	1093272	1	1	..	..	..	..	1	1	..	..	..	..
Screw - to battery support strap - - - - -	1096643	..	..	1	1	1	1	..	..	1	1	1	1
J/Nut - - - - -	1096644	..	..	1	1	1	1	..	..	1	1	1	1
Plainwasher - - - - -	120387	..	..	1	1	1	1	..	..	1	1	1	1
Screw - to running board - - - - -	120741	4	4	..	..	..	..	4	4	..	..	..	..
Nut - - - - -	120368	4	4	..	..	..	..	4	4	..	..	..	..
Lockwasher- - - - -	1093272	4	4	..	..	..	..	4	4	..	..	..	..
Plainwasher - - - - -	120387	4	4	..	..	..	..	4	4	..	..	..	..
Bracket- - - - -	1197617	..	..	2	2	2	2	..	..	2	2	2	2
Screw - - - - -	120741	..	..	8	8	8	8	..	..	8	8	8	8
Nut - - - - -	120368	..	..	8	8	8	8	..	..	8	8	8	8
Plainwasher - - - - -	120387	..	..	4	4	4	4	..	..	4	4	4	4
Lockwasher- - - - -	1093272	..	..	8	8	8	8	..	..	8	8	8	8
Anti - squeak - 50 ft. roll- - - - -	1150919	*	*	*	*	*	*	*	*	*	*	*	*
<b>Front Fender Housing Splash Shield</b>													
Shield - right- - - - -	1097896	1	1	1	1	1	1	1	1	1	1	1	1
Shield - left - - - - -	1097897	1	1	1	1	1	1	1	1	1	1	1	1
Screw assembly - to fender housing - - - - -	1279617	12	12	12	12	12	12	12	12	12	12	12	12
Nut assembly- - - - -	1277359	12	12	12	12	12	12	12	12	12	12	12	12
Plainwasher - - - - -	120387	12	12	12	12	12	12	12	12	12	12	12	12
Screw - to grille panel side support - - - - -	123473	2	2	2	2	2	2	2	2	2	2	2	2
Plainwasher - - - - -	1097771	2	2	2	2	2	2	2	2	2	2	2	2
<b>Front Fender Housing Splash Shield Extension</b>													
Assembly - rear - right - - - - -	1199754	1	1	1	1	1	1	1	1	1	1	1	1
Assembly - rear - left- - - - -	1199755	1	1	1	1	1	1	1	1	1	1	1	1
Screw - to shield- - - - -	120741	4	4	4	4	4	4	4	4	4	4	4	4
C/Nut- - - - -	148232	4	4	4	4	4	4	4	4	4	4	4	4
Screw - to frame- - - - -	120647	2	2	2	2	2	2	2	2	2	2	2	2
Nut - - - - -	120369	2	2	2	2	2	2	2	2	2	2	2	2
Plainwasher - - - - -	120394	2	2	2	2	2	2	2	2	2	2	2	2
Lockwasher- - - - -	120382	2	2	2	2	2	2	2	2	2	2	2	2
Seal - - - - -	1097571	2	2	2	2	2	2	2	2	2	2	2	2
Rivet - - - - -	113194	10	10	10	10	10	10	10	10	10	10	10	10
<b>GROUP 12-C RUNNING BOARD</b>													
<b>Running Board</b>													
Assembly - right - panel- - - - -	1096582	1	..	..	..	..	..	..	..	..	..	..	..
Assembly - right - panel- - - - -	1398273	..	..	..	..	..	..	1	..	..	..	..	..
Assembly - left - panel - - - - -	1096583	1	..	..	..	..	..	..	..	..	..	..	..
Assembly - left - panel - - - - -	1398274	..	..	..	..	..	..	1	..	..	..	..	..
Assembly - right - panel- - - - -	1096588	1	..	..	..	..	..	1	..	..	..	..	..
Assembly - left - panel - - - - -	1096589	1	..	..	..	..	..	1	..	..	..	..	..
Assembly - right - short- - - - -	1096576	1	1	..	..	..	..	1	1	..	..	..	..
Assembly - left - short - - - - -	1096577	1	1	..	..	..	..	1	1	..	..	..	..

Indicates amount used as required.

† Indicates parts included in packages.

**GROUP 12-FENDERS AND SHEET METAL**

PART NAME	PART NO.	MODEL CODES											
		DG AND FO					DH AND FP						
		1	2	3	4	5	6	1	2	4	5	6	7
<b>GROUP 12-C RUNNING BOARD (Cont'd)</b>													
<b>Running Board (Cont'd)</b>													
Assembly - right - long - 116" W.B. - - - - -	1096594	..	1	..	..	..	..	..	..	..	..	..	..
Assembly - left - long - 116" W.B. - - - - -	1096595	..	1	..	..	..	..	..	..	..	..	..	..
Assembly - right - long - 126" W.B. - - - - -	1096600	..	1	..	..	..	..	..	..	..	..	..	..
Assembly - right - long - - - - -	1398293	..	..	..	..	..	..	..	1	..	..	..	..
Assembly - left - long 126" W.B. - - - - -	1096601	..	1	..	..	..	..	..	..	..	..	..	..
Assembly - left - long - - - - -	1398294	..	..	..	..	..	..	..	1	..	..	..	..
Assembly - right - - - - -	1096637	..	..	1	1	1	1	..	..	1	1	1	1
Assembly - left - - - - -	1096638	..	..	1	1	1	1	..	..	1	1	1	1
Screw - - - - -	120741	*	*	*	*	*	*	*	*	*	*	*	*
Lockwasher - - - - -	120214	*	*	*	*	*	*	*	*	*	*	*	*
Wing/Nut - long running board reinforcement - - - - -	657413	*	*	..	..	..	..	*	*	..	..	..	..
<b>GROUP 12-D REAR FENDER</b>													
<b>Rear Fender</b>													
Assembly - right - Exc. panel - - - - -	1199509	1	1	..	..	..	..	..	..	..	..	..	..
Assembly - right - Exc. panel - - - - -	1397854	..	..	..	..	..	..	1	1	..	..	..	..
Assembly - left - Exc. panel - - - - -	1199510	1	1	..	..	..	..	..	..	..	..	..	..
Assembly - left - Exc. panel - - - - -	1397855	..	..	..	..	..	..	1	1	..	..	..	..
Fender - right - panel - - - - -	1197564	1	..	..	..	..	..	1	..	..	..	..	..
Fender - left - panel - - - - -	1197565	1	..	..	..	..	..	1	..	..	..	..	..
Brace - fender to body - Exc. panel - - - - -	1397866	..	..	..	..	..	..	2	2	..	..	..	..
Screw - - - - -	271158	..	..	..	..	..	..	4	4	..	..	..	..
Nut - - - - -	120368	..	..	..	..	..	..	4	4	..	..	..	..
Lockwasher - - - - -	1093272	..	..	..	..	..	..	4	4	..	..	..	..
Plainwasher - - - - -	120387	..	..	..	..	..	..	4	4	..	..	..	..
Screw - fender to body - panel - - - - -	1095299	20	..	..	..	..	..	20	..	..	..	..	..
Screw - fender to body - Exc. panel - - - - -	1097090	10	10	..	..	..	..	14	14	..	..	..	..
Screw - fender to body - Exc. panel - - - - -	121661	2	2	..	..	..	..	4	4	..	..	..	..
Nut - - - - -	120368	12	12	..	..	..	..	18	18	..	..	..	..
Lockwasher - - - - -	1093272	12	12	..	..	..	..	18	18	..	..	..	..
Screw - fender to body - express (low type box) - - - - -	120213	2	..	..	..	..	..	..	..	..	..	..	..
Lockwasher - - - - -	1093272	12	..	..	..	..	..	..	..	..	..	..	..
Plainwasher - - - - -	120387	2	..	..	..	..	..	..	..	..	..	..	..
Screw - fender to running board - - - - -	121661	*	*	..	..	..	..	..	..	..	..	..	..
Nut - - - - -	120368	*	*	..	..	..	..	..	..	..	..	..	..
Lockwasher - - - - -	1093272	*	*	..	..	..	..	..	..	..	..	..	..
Plainwasher - - - - -	120387	*	*	..	..	..	..	..	..	..	..	..	..
Screw - fender to running board - - - - -	118591	..	..	..	..	..	..	4	4	..	..	..	..
Nut - - - - -	120369	..	..	..	..	..	..	4	4	..	..	..	..
Lockwasher - - - - -	1093885	..	..	..	..	..	..	4	4	..	..	..	..
Plainwasher - - - - -	120394	..	..	..	..	..	..	4	4	..	..	..	..
Bracket - fender to frame - - - - -	1197569	2	..	..	..	..	..	..	..	..	..	..	..
Bracket - fender to frame - - - - -	1197559	..	2	..	..	..	..	..	..	..	..	..	..
Bracket - fender to frame - Exc. panel - - - - -	1398252	..	..	..	..	..	..	2	2	..	..	..	..
Bracket - fender to frame - express (low type box) - - - - -	1276249	2	..	..	..	..	..	..	..	..	..	..	..
Screw - - - - -	121661	2	2	..	..	..	..	4	4	..	..	..	..
Screw - - - - -	123382	2	2	..	..	..	..	..	..	..	..	..	..
Nut - - - - -	120368	4	4	..	..	..	..	4	4	..	..	..	..
Lockwasher - - - - -	1093272	6	6	..	..	..	..	4	4	..	..	..	..
Welt - to body and to running board - - - - -	356513	*	*	..	..	..	..	*	*	..	..	..	..
Sealer - fender to body - - - - -	1199032	*	*	..	..	..	..	*	*	..	..	..	..
Filler - fender to body - - - - -	1398694	..	..	..	..	..	..	8	8	..	..	..	..
<b>Rear Fender to Body Shield - Express (Low Type Box)</b>													
Shield - front right - - - - -	1276251	1	..	..	..	..	..	..	..	..	..	..	..
Shield - front left - - - - -	1276252	1	..	..	..	..	..	..	..	..	..	..	..
Shield - rear right - - - - -	1276259	1	..	..	..	..	..	..	..	..	..	..	..
Shield - rear left - - - - -	1276260	1	..	..	..	..	..	..	..	..	..	..	..

Indicates amount used as required.

† Indicates parts included in packages.

# GROUP 12 - FENDERS AND SHEET METAL

PART NAME	PART NO.	MODEL CODES										
		DG AND FO						DH AND FP				
		1	2	3	4	5	6	1	2	4	5	6
<b>GROUP 12-D REAR FENDER (Cont'd)</b>												
<b>Rear Fender to Body Shield-Express (Low Type Box) (Cont'd)</b>												
Shield - front right - - - - -	1279261	..	1	..	..	..	..	..	..	..	..	..
Shield - front left - - - - -	1279262	..	1	..	..	..	..	..	..	..	..	..
Shield - rear right - - - - -	1279269	..	1	..	..	..	..	..	..	..	..	..
Shield - rear left - - - - -	1279270	..	1	..	..	..	..	..	..	..	..	..
Screw - - - - -	123316	10	10	..	..	..	..	..	..	..	..	..
Nut - - - - -	120367	10	10	..	..	..	..	..	..	..	..	..
Lockwasher - - - - -	120380	10	10	..	..	..	..	..	..	..	..	..
Brace - right - - - - -	797892	1	1	..	..	..	..	..	..	..	..	..
Brace - left - - - - -	797893	1	1	..	..	..	..	..	..	..	..	..
Screw - - - - -	123316	4	4	..	..	..	..	..	..	..	..	..
Nut - - - - -	120367	4	4	..	..	..	..	..	..	..	..	..
Lockwasher - - - - -	1093270	4	4	..	..	..	..	..	..	..	..	..
Bumper - - - - -	729152	4	4	..	..	..	..	..	..	..	..	..
<b>GROUP 12-E RUNNING BOARD - REAR FENDER EXTENSION</b>												
<b>Running Board and Rear Fender Extension</b>												
<p><b>Special Note:</b> This set-up to be used when long running boards rear fenders and dual wheel are installed on DG2/DH2/FO2/FP2 with 6.50 x 16 tires and 16 x 4.50 wheels. The same rear fender is used with single or dual wheels.</p>												
<b>Running Board</b>												
Assembly - right - 116" W.B. - - - - -	1197745	..	1	..	..	..	..	..	..	..	..	..
Assembly - left - 116" W.B. - - - - -	1197746	..	1	..	..	..	..	..	..	..	..	..
Assembly - right - 126" W.B. - - - - -	1197751	..	1	..	..	..	..	..	..	..	..	..
Assembly - left - 126" W.B. - - - - -	1197752	..	1	..	..	..	..	1	..	..	..	..
Extension - right - - - - -	1197758	..	1	..	..	..	..	..	..	..	..	..
Extension - left - - - - -	1197759	..	1	..	..	..	..	..	..	..	..	..
Extension - right - - - - -	1397884	..	..	..	..	..	..	1	..	..	..	..
Extension - left - - - - -	1397885	..	..	..	..	..	..	1	..	..	..	..
Bolt - - - - -	126216	..	4	..	..	..	..	..	..	..	..	..
Nut - - - - -	120376	..	4	..	..	..	..	..	..	..	..	..
Lockwasher - - - - -	120214	..	4	..	..	..	..	..	..	..	..	..
Plainwasher - - - - -	120396	..	4	..	..	..	..	..	..	..	..	..
Bolt - - - - -	1397954	..	..	..	..	..	..	4	..	..	..	..
Nut - - - - -	120369	..	..	..	..	..	..	4	..	..	..	..
Lockwasher - - - - -	1093885	..	..	..	..	..	..	4	..	..	..	..
<b>Rear Fender Extension</b>												
Assembly - - - - -	1199525	..	2	..	..	..	..	..	..	..	..	..
Assembly - - - - -	1397876	..	..	..	..	..	..	2	..	..	..	..
Bracket - - - - -	1197743	..	2	..	..	..	..	..	..	..	..	..
Brace - fender to body - express only - -	1397881	..	..	..	..	..	..	2	..	..	..	..
Screw - to fender - - - - -	120213	..	14	..	..	..	..	..	..	..	..	..
Nut - - - - -	120368	..	14	..	..	..	..	..	..	..	..	..
Lockwasher - - - - -	1093272	..	14	..	..	..	..	..	..	..	..	..
Plainwasher - - - - -	120387	..	14	..	..	..	..	..	..	..	..	..
Screw - to fender - - - - -	123520	..	..	..	..	..	..	18	..	..	..	..
Nut - - - - -	120369	..	..	..	..	..	..	18	..	..	..	..
Lockwasher - - - - -	1093885	..	..	..	..	..	..	18	..	..	..	..
Plainwasher - - - - -	120388	..	..	..	..	..	..	18	..	..	..	..
Screw - to running board - - - - -	120647	..	..	..	..	..	..	2	..	..	..	..
Nut - - - - -	120369	..	..	..	..	..	..	2	..	..	..	..
Lockwasher - - - - -	1093885	..	..	..	..	..	..	2	..	..	..	..
Plainwasher - - - - -	120388	..	..	..	..	..	..	2	..	..	..	..
Welt - to fender - - - - -	356513	..	2	..	..	..	..	2	..	..	..	..

Indicates amount used as required.

† Indicates parts included in packages.

**GROUP 13 - FRAME**

**NOTE:** - Parts referred to "Note 1" were used up to and including:  
 Parts referred to "Note 2" were used after the following serial nos:

128" W.B. - DG3-92,000,699                                 152" W.B. - DG3-92,000,663  
                - FO3-92,500,756                                 - FO3-92,500,719

**NOTE:** - Parts referred to "Note 3" were used on the following serial nos:  
 DG1-90,102,508-545 incl.                             FO1-90,521,029-074 incl.  
 DG2-91,188,441-466 incl.                           FO2-91,509,326-338 incl.

PART NAME	PART NO.	MODEL CODES													
		DG AND FO						DH AND FP							
		1	2	3	4	5	6	1	2	4	5	6	7		
<b>GROUP 13-A FRAME</b>															
<b>Frame - Less Reinforcement</b>															
Assembly - - - - -	1271983	1	..	..	..	..	..	..	..	..	..	..	..		
Assembly - - - - -	1500774	..	..	..	..	..	..	1	..	..	..	..	..		
Assembly - 116" W.B. - - - - -	1271986	..	1	..	..	..	..	..	..	..	..	..	..		
Assembly - 126" W.B. - - - - -	1271989	..	1	..	..	..	..	..	..	..	..	..	..		
Assembly - - - - -	1500777	..	..	..	..	..	..	..	1	..	..	..	..		
Assembly - 128" W.B. (Note 1) - - - - -	1272045	..	..	1	..	..	..	..	..	..	..	..	..		
Assembly - 152" W.B. (Note 1) - - - - -	1272058	..	..	1	..	..	..	..	..	..	..	..	..		
Assembly - 128" W.B. (Note 2) - - - - -	1274503	..	..	1	..	..	..	..	..	..	..	..	..		
Assembly - 152" W.B. (Note 2) - - - - -	1272048	..	..	1	..	..	..	..	..	..	..	..	..		
Assembly - 128" W.B. - - - - -	1272045	..	..	..	1	1	..	..	..	1	..	..	..		
Assembly - 152" W.B. - - - - -	1272058	..	..	..	1	1	..	..	..	1	1	..	..		
Assembly - 170" W.B. - - - - -	1272061	..	..	..	1	1	..	..	..	..	1	..	..		
Assembly - 192" W.B. - - - - -	1271539	..	..	..	1	..	..	..	..	..	..	..	..		
Assembly - 212" W.B. - - - - -	1272244	..	..	..	..	..	1	..	..	..	..	..	..		
<b>Frame - With Reinforcement</b>															
Assembly - 128" W.B. - - - - -	1272828	..	..	..	1	1	..	..	..	1	..	..	..		
Assembly - 152" W.B. - - - - -	1272829	..	..	..	1	1	..	..	..	1	1	..	..		
Assembly - 170" W.B. - - - - -	1272830	..	..	..	1	1	..	..	..	..	1	..	..		
Assembly - 192" W.B. - - - - -	1272831	..	..	..	1	..	..	..	..	..	..	..	..		
Assembly - 128" W.B. - - - - -	1272665	..	..	..	..	1	..	..	..	..	..	1	1		
Assembly - 140" W.B. - - - - -	1272668	..	..	..	..	1	..	..	..	..	..	..	..		
Assembly - 152" W.B. - - - - -	1272671	..	..	..	..	1	..	..	..	..	..	1	1		
Assembly - 170" W.B. - - - - -	1272674	..	..	..	..	1	..	..	..	..	..	1	1		
<b>GROUP 13-B FRAME SIDE RAIL REINFORCEMENT</b>															
<b>Frame Side Rail Reinforcement</b>															
Reinforcement - right - 128" W.B. - - - - -	1266390	..	..	..	1	1	1	..	..	1	..	1	1		
Reinforcement - left - 128" W.B. - - - - -	1266391	..	..	..	1	1	1	..	..	1	..	1	1		
Reinforcement - right - 140" W.B. - - - - -	1196690	..	..	..	..	..	1	..	..	..	..	..	..		
Reinforcement - left - 140" W.B. - - - - -	1196691	..	..	..	..	..	1	..	..	..	..	..	..		
Reinforcement - right - 152" W.B. - - - - -	1266392	..	..	..	1	1	..	..	..	1	1	..	..		
Reinforcement - left - 152" W.B. - - - - -	1266393	..	..	..	1	1	..	..	..	1	1	..	..		
Reinforcement - right - 170" W.B. - - - - -	1266394	..	..	..	1	1	1	..	..	..	1	1	1		
Reinforcement - left - 170" W.B. - - - - -	1266395	..	..	..	1	1	1	..	..	..	1	1	1		
Reinforcement - right - rear - 212" W.B. - - - - -	1190352	..	..	..	..	..	1	..	..	..	..	..	..		
Reinforcement - left - rear - 212" W.B. - - - - -	1190353	..	..	..	..	..	1	..	..	..	..	..	..		
Rivet - - - - -	108684	..	..	..	*	*	*	..	..	*	*	*	*		
<b>Frame Side Rail Steering Gear Bracket</b>															
Brace assembly - left - - - - -	1266141	1	1	..	..	..	..	1	1	..	..	..	..		
Reinforcement - right - R.H.D. - - - - -	1260692	1	1	..	..	..	..	1	1	..	..	..	..		
Bracket assembly - left - L.H.D. - - - - -	1271937	..	..	1	1	1	1	..	..	1	1	1	1		
Brace - right - R.H.D. - - - - -	1195788	1	1	..	..	..	..	1	1	..	..	..	..		
Brace - left - - - - -	1195297	..	..	1	1	1	1	..	..	1	1	1	1		
Brace - right - R.H.D. - - - - -	1195426	..	..	1	1	1	1	..	..	1	1	1	..		
Screw - left brace - - - - -	120647	2	2	..	..	..	..	2	2	..	..	..	..		
Lockwasher - - - - -	120382	2	2	..	..	..	..	2	2	..	..	..	..		
Rivet - - - - -	104113	4	4	..	..	..	..	4	4	..	..	..	..		
Spacer - - - - -	1265868	3	3	..	..	..	..	3	3	..	..	..	..		

Indicates amount used as required.

‡ Indicates parts included in packages.

**GROUP 13 - FRAME**

PART NAME	PART NO.	MODEL CODES											
		DG AND FO					DH AND FP						
		1	2	3	4	5	6	1	2	4	5	6	7
<b>GROUP 13-B FRAME SIDE RAIL (CONT'D)</b>													
<b>Frame Side Rail Steering Gear Bracket (Cont'd)</b>													
Bolt - right brace - R.H.D. - - - - -	120647	9	9	8	8	8	8	9	9	8	8	8	..
Nut - - - - -	120369	9	9	8	8	8	8	9	9	8	8	8	..
Lockwasher - - - - -	120382	9	9	8	8	8	8	9	9	8	8	8	..
<b>GROUP 13-C FRAME CROSSMEMBERS</b>													
<b>NOTE: - For parts not listed see Engine Group 9</b>													
<b>Frame Crossmember (Engine Front Support)</b>													
Assembly - - - - -	1195790	1	1	..	..	..	..	1	1	..	..	..	..
Assembly - - - - -	1194489	..	..	1	1	1	1	..	..	1	1	1	1
Reinforcement - - - - -	1195792	1	1	..	..	..	..	1	1	..	..	..	..
Reinforcement - - - - -	1194491	..	..	1	1	1	1	..	..	1	1	1	1
Clinch nut - - - - -	657417	2	2	..	..	..	..	2	2	..	..	..	..
Nut - small - - - - -	120369	2	2	..	..	..	..	2	2	..	..	..	..
<b>Frame Intermediate Crossmember</b>													
Crossmember - - - - -	1268421	1	1	..	..	..	..	..	..	..	..	..	..
Crossmember - - - - -	1500897	..	..	..	..	..	..	1	1	..	..	..	..
Bolt - - - - -	120647	8	8	..	..	..	..	8	8	..	..	..	..
Nut - - - - -	120369	8	8	..	..	..	..	8	8	..	..	..	..
Lockwasher - - - - -	120382	8	8	..	..	..	..	8	8	..	..	..	..
<b>Frame Center Bearing Crossmember</b>													
Crossmember - propeller shaft - 2 on 192" W.B. - - - - -	580441	..	..	1	1	1	..	..	..	1	1	..	..
Crossmember - 128" W.B. only - - - - -	580441	..	..	..	..	..	1	..	..	..	..	1	1
Crossmember - 2 on 212" W.B. - - - - -	580438	..	..	..	..	..	1	..	..	..	..	1	1
Reinforcement - 2 on 192" W.B. - - - - -	562136	..	..	1	1	1	..	..	..	1	1	..	..
Bolt - - - - -	121615	..	..	2	2	2	..	..	..	2	2	..	..
Nut - - - - -	120369	..	..	2	2	2	..	..	..	2	2	..	..
Lockwasher - - - - -	120382	..	..	2	2	2	..	..	..	2	2	..	..
Reinforcement - 128" W.B. - - - - -	562136	..	..	..	..	..	1	..	..	..	..	1	1
Reinforcement - 2 on 212" W.B. - - - - -	562406	..	..	..	..	..	1	..	..	..	..	1	1
Brace - right - 140" W.B. - - - - -	584278	..	..	..	..	..	1	..	..	..	..	..	..
Brace - left - 140" W.B. - - - - -	584279	..	..	..	..	..	1	..	..	..	..	..	..
Brace - 4 on 212" W.B. - - - - -	537953	..	..	..	..	..	2	..	..	..	..	2	2
Gusset - right - 3 on 192" W.B. - - - - -	572162	..	..	1	1	1	..	..	..	1	1	..	..
Gusset - right - 128" W.B. - - - - -	572162	..	..	..	..	..	1	..	..	..	..	1	1
Gusset - left - 4 on 192" W.B. - - - - -	548011	..	..	2	2	2	..	..	..	2	2	..	..
Gusset - left - 128" W.B. - - - - -	548011	..	..	..	..	..	2	..	..	..	..	2	2
<b>Frame Rear Spring Front Crossmember</b>													
Assembly - - - - -	574025	..	..	1	1	1	..	..	..	1	1	..	..
Assembly - 128" W.B. - - - - -	1193232	..	..	..	..	..	1	..	..	..	..	1	1
Assembly - exc. 128" W.B. - - - - -	574025	..	..	..	..	..	1	..	..	..	..	1	1
<b>Frame Rear Spring Rear Crossmember</b>													
Crossmember - exc. 126" W.B. - - - - -	589653	1	1	..	..	..	..	1	..	..	..	..	..
Assembly - 126" W.B. - - - - -	589500	..	1	..	..	..	..	..	1	..	..	..	..
Crossmember - rear brackets - 3 used with 152" W.B. and on 192" W.B. - - - - -	562862	..	..	2	2	2	2	..	..	2	2	2	2
Crossmember - 128" W.B. - - - - -	1195930	..	..	..	..	..	1	..	..	..	..	1	1
Gusset - right rear and left front - 128" W.B. - - - - -	1195928	..	..	..	..	..	2	..	..	..	..	2	2
Gusset - left rear and right front - 128" W.B. - - - - -	1195929	..	..	..	..	..	2	..	..	..	..	2	2

Indicates amount used as required.

† Indicates parts included in packages.

**GROUP 13 - FRAME**

PART NAME	PART NO.	MODEL CODES											
		DG AND FO					DH AND FP						
		1	2	3	4	5	6	1	2	4	5	6	7
<b>GROUP 13-C FRAME CROSSMEMBERS (CONT'D)</b>													
<b>Frame Rear Crossmember</b>													
Crossmember - 170" and 192" W.B. - 152" W.B. bus - - - - -	562862	..	..	..	1	1	..	..	..	1	1	..	..
Crossmember - 128" W.B. - - - - -	562862	..	..	..	..	..	1	..	..	..	..	1	1
<b>GROUP 13-D BATTERY SUPPORT</b>													
<b>Battery Support</b>													
Support or strap - - - - -	1271000	1	1	..	..	..	..	1	1	..	..	..	..
Assembly - - - - -	1195631	..	..	1	1	1	1	..	..	1	1	1	1
Support brace - used on bus - - - - -	1268937	..	..	..	1	..	1	..	..	..	..	..	..
Screw - support brace - bus - - - - -	122126	..	..	..	1	..	1	..	..	..	..	..	..
Rivet - strap to bracket - to frame - front and rear-bus - - - - -	104113	..	..	..	6	..	6	..	..	..	..	..	..
Bolt - strap to cab bracket - - - - -	120647	2	2	2	2	2	2	2	2	2	2	2	2
Bolt - strap to running board hanger - - - - -	123520	2	2	..	..	..	..	2	2	..	..	..	..
Nut - - - - -	120369	4	4	2	2	2	2	4	4	2	2	2	2
Plainwasher - - - - -	120394	4	4	2	2	2	2	4	4	2	2	2	2
Lockwasher - - - - -	120382	4	4	2	2	2	2	4	4	2	2	2	2
Bolt - strap bracket to stephanger - - - - -	120741	..	..	2	2	2	2	..	..	2	2	2	2
Nut - - - - -	120368	..	..	2	2	2	2	..	..	2	2	2	2
Plainwasher - - - - -	120387	..	..	2	2	2	2	..	..	2	2	2	2
Lockwasher - - - - -	120214	..	..	2	2	2	2	..	..	2	2	2	2
<b>Battery Tray</b>													
Assembly - - - - -	957778	..	..	1	1	1	1	..	..	1	1	1	1
Assembly - bus - use with 136 amp.hr. battery - - - - -	1195864	..	..	..	1	..	1	..	..	..	..	..	..
Assembly - bus - use with 153 amp. hr. battery - - - - -	1196027	..	..	..	1	..	1	..	..	..	..	..	..
Screw - to support strap - - - - -	120228	..	..	2	2	2	2	..	..	2	2	2	2
<b>Battery Hold Down Cover</b>													
Assembly - - - - -	1189198	1	1	..	..	..	..	1	1	..	..	..	..
Assembly - - - - -	923523	..	..	1	1	1	1	..	..	1	1	1	1
Assembly - bus - use with 136 amp. hr. battery - - - - -	1195867	..	..	..	1	..	1	..	..	..	..	..	..
Assembly - bus - use with 153 amp. hr. battery - - - - -	1196029	..	..	..	1	..	1	..	..	..	..	..	..
Bolt - - - - -	589476	2	2	2	2	2	2	2	2	2	2	2	2
Nut - - - - -	120377	2	2	2	2	2	2	2	2	2	2	2	2
Plainwasher - - - - -	120394	2	2	2	2	2	2	2	2	2	2	2	2
Lockwasher - - - - -	120382	2	2	2	2	2	2	2	2	2	2	2	2
Cotter - - - - -	103373	2	2	2	2	2	2	2	2	2	2	2	2
<b>GROUP 13-E FRAME BRACKETS</b>													
<b>Engine Rear Support Frame Bracket</b>													
Assembly - - - - -	593195	2	2	..	..	..	..	2	2	..	..	..	..
Bolt - to frame - - - - -	123567	8	8	..	..	..	..	8	8	..	..	..	..
Nut - - - - -	120370	8	8	..	..	..	..	8	8	..	..	..	..
Lockwasher - - - - -	120383	8	8	..	..	..	..	8	8	..	..	..	..
Support - right - rear - - - - -	590920	..	..	1	1	1	1	..	..	1	1	1	1
Support - left - rear - - - - -	590921	..	..	1	1	1	1	..	..	1	1	1	1
Reinforcement - frame - right - - - - -	1194338	1	1	..	..	..	..	1	1	..	..	..	..
Reinforcement - frame - left - - - - -	1194339	1	1	..	..	..	..	1	1	..	..	..	..
<b>Radiator Support Bracket</b>													
Bracket - - - - -	591441	1	1	..	..	..	..	1	1	..	..	..	..
Bracket - - - - -	1194492	..	..	1	1	1	1	..	..	1	1	1	1

Indicates amount used as required.

† Indicates parts included in packages.

PART NAME	PART NO.	MODEL CODES											
		DG AND FO					DH AND FP						
		1	2	3	4	5	6	1	2	4	5	6	7
<b>GROUP 13-E FRAME BRACKETS (CONT'D)</b>													
<b>Cab Hold Down Bracket</b>													
Assembly - front - left	1195423	1	1	1	1	1	1	1	1	1	1	1	1
Assembly - front - right	1195422	1	1	1	1	1	1	1	1	1	1	1	1
Rivet	108684	*	*	*	*	*	*	*	*	*	*	*	*
Bolt - front	120647	*	*	..	..	..	..	*	*	..	..	..	..
Bolt - upper - right	120677	..	..	*	*	*	*	..	..	*	*	*	*
Bolt	121615	..	..	4	4	4	4	..	..	4	4	4	4
Nut	120369	*	*	*	*	*	*	*	*	*	*	*	*
Lockwasher	120382	*	*	*	*	*	*	*	*	*	*	*	*
Assembly - rear	1195568	2	2	..	..	..	..	2	2	..	..	..	..
Assembly - rear	1195569	..	..	2	2	2	2	..	..	2	2	2	2
Bolt	120647	8	8	..	..	..	..	8	8	..	..	..	..
Bolt	121615	..	..	8	8	8	8	..	..	8	8	8	8
Nut	120369	8	8	8	8	8	8	8	8	8	8	8	8
Lockwasher	120382	8	8	8	8	8	8	8	8	8	8	8	8
<b>Running Board Bracket - Support Hanger</b>													
Hanger - front right	1195414	1	1	..	..	..	..	1	1	..	..	..	..
Hanger - front - left	1195537	1	1	..	..	..	..	1	1	..	..	..	..
Hanger - rear - panel and express	1195861	2	..	..	..	..	..	2	..	..	..	..	..
Hanger - rear - exc. panel and express	1195414	2	..	..	..	..	..	2	..	..	..	..	..
Hanger - intermediate - panel and express	1195414	2	..	..	..	..	..	2	..	..	..	..	..
Hanger - intermediate - rear - express	1195861	..	2	..	..	..	..	..	2	..	..	..	..
Hanger - rear - express	1195861	..	2	..	..	..	..	..	2	..	..	..	..
Hanger - rear - exc. express	1195414	..	2	..	..	..	..	..	2	..	..	..	..
Hanger - intermediate - express	1195414	..	2	..	..	..	..	..	2	..	..	..	..
Hanger - front - right	1195600	..	..	1	1	1	1	..	..	1	1	1	1
Hanger - front - left	1195625	..	..	1	1	1	1	..	..	1	1	1	1
Hanger - rear	1195600	..	..	2	2	2	2	..	..	2	2	2	2
Rivet	104113	*	*	*	*	*	*	*	*	*	*	*	*
Rivet	108684	..	..	*	*	*	*	..	..	*	*	*	*
Bolt - hanger	121615	3	3	2	2	2	2	3	3	2	2	2	2
Nut	120369	3	3	2	2	2	2	3	3	2	2	2	2
Lockwasher	120382	3	3	2	2	2	2	3	3	2	2	2	2
<b>GROUP 13-F SPRING BRACKETS</b>													
<b>Front Spring Bracket</b>													
Hanger - front	589679	2	2	..	..	..	..	2	2	..	..	..	..
Bracket - rear	1194163	2	2	..	..	..	..	2	2	..	..	..	..
Bracket - front - left	1195898	..	..	1	1	1	..	..	..	1	1	..	..
Bracket - front - right	1193760	..	..	1	1	1	..	..	..	1	1	..	..
Assembly - rear	1193759	..	..	2	2	2	2	..	..	2	2	2	2
Bracket - front - left	1193760	..	..	..	..	1	..	..	..	..	..	1	1
Bracket - front - right	1195898	..	..	..	..	1	..	..	..	..	..	1	1
Bushing - rear bracket	595524	..	..	2	2	2	2	..	..	2	2	2	2
<b>Rear Spring Bracket</b>													
Bracket - front	590417	2	2	..	..	..	..	2	2	..	..	..	..
Bracket - rear	573505	2	..	..	..	..	..	2	..	..	..	..	..
Bracket - rear	576032	..	2	..	..	..	..	..	2	..	..	..	..
Bracket	588025	..	..	4	4	4	..	..	..	4	4	..	..
Bracket - front	589574	..	..	..	..	2	..	..	..	..	..	2	2
Bracket - rear	589575	..	..	..	..	2	..	..	..	..	..	2	2
<b>GROUP 13-G FRONT BUMPER</b>													
<b>Front Bumper</b>													
Bumper	1272570	1	1	..	..	..	..	1	1	..	..	..	..
Bumper	1272556	..	..	1	1	1	1	..	..	1	1	1	1
Gusset - right	1272574	1	1	..	..	..	..	1	1	..	..	..	..

Indicates amount used as required.

† Indicates parts included in packages.



GROUP 13 - FRAME

PART NAME	PART NO.	MODEL CODES											
		DG AND FO					DH AND FP						
		1	2	3	4	5	6	1	2	4	5	6	7
<b>GROUP 13-G FRONT BUMPER (CONT'D)</b>													
<b>Front Bumper (Cont'd)</b>													
Gusset - left - - - - -	1272575	1	1	..	..	..	..	1	1	..	..	..	..
Gusset - right- - - - -	1272560	..	..	1	1	1	1	..	..	1	1	1	1
Gusset - left - - - - -	1272561	..	..	1	1	1	1	..	..	1	1	1	1
Reinforcement - right- - - - -	1272564	..	..	1	1	1	1	..	..	1	1	1	1
Reinforcement - left - - - - -	1272565	..	..	1	1	1	1	..	..	1	1	1	1
<b>Front Bumper Attaching Parts</b>													
Bolt - to frame - - - - -	120424	4	4	4	4	4	4	4	4	4	4	4	4
Nut - - - - -	120371	4	4	4	4	4	4	4	4	4	4	4	4
Lockwasher - - - - -	120384	4	4	4	4	4	4	4	4	4	4	4	4
Bolt - gusset to bumper and frame- - - - -	120424	8	8	8	8	8	8	8	8	8	8	8	8
Nut - - - - -	120371	8	8	8	8	8	8	8	8	8	8	8	8
Lockwasher - - - - -	120384	8	8	8	8	8	8	8	8	8	8	8	8
Bolt - reinforcement - - - - -	120424	..	..	6	6	6	6	..	..	6	6	6	6
Nut - - - - -	120371	..	..	6	6	6	6	..	..	6	6	6	6
Lockwasher - - - - -	120384	..	..	6	6	6	6	..	..	6	6	6	6
<b>License Bracket - Note 3</b>													
Bracket- - - - -	1196996	1	1	..	..	..	..	..	..	..	..	..	..
Bolt- - - - -	123461	2	2	..	..	..	..	..	..	..	..	..	..
Nut- - - - -	120367	2	2	..	..	..	..	..	..	..	..	..	..
Lockwasher - - - - -	120380	2	2	..	..	..	..	..	..	..	..	..	..
<b>GROUP 13-H REAR BUMPER</b>													
<b>Rear Bumper - Panel</b>													
Bumper - - - - -	1271913	1	..	..	..	..	..	1	..	..	..	..	..
Bracket assembly - right- - - - -	1271916	1	..	..	..	..	..	1	..	..	..	..	..
Bracket assembly - left - - - - -	1271917	1	..	..	..	..	..	1	..	..	..	..	..
Bolt - to bar- - - - -	126442	4	..	..	..	..	..	4	..	..	..	..	..
Nut- - - - -	124573	4	..	..	..	..	..	4	..	..	..	..	..
Lockwasher - - - - -	120383	4	..	..	..	..	..	4	..	..	..	..	..
Plainwasher- - - - -	120395	4	..	..	..	..	..	4	..	..	..	..	..
Rivet- - - - -	104284	2	..	..	..	..	..	2	..	..	..	..	..
Bolt - to sidemember - short- - - - -	120424	4	..	..	..	..	..	4	..	..	..	..	..
Bolt - to sidemember - long - - - - -	120234	2	..	..	..	..	..	2	..	..	..	..	..
Nut- - - - -	120371	6	..	..	..	..	..	6	..	..	..	..	..
Lockwasher - - - - -	120384	6	..	..	..	..	..	6	..	..	..	..	..
Plainwasher- - - - -	120396	2	..	..	..	..	..	2	..	..	..	..	..
<b>Rear Bumper - Except Panel</b>													
Bumper - - - - -	590659	1	1	..	..	..	..	1	1	..	..	..	..
Bracket assembly - right- - - - -	1195332	1	1	..	..	..	..	1	1	..	..	..	..
Bracket assembly - left - - - - -	1195333	1	1	..	..	..	..	1	1	..	..	..	..
Bracket assembly - right - 126" W.B.- - - - -	1195468	..	1	..	..	..	..	..	1	..	..	..	..
Bracket assembly - left - 126" W.B. - - - - -	1195469	..	1	..	..	..	..	..	1	..	..	..	..
Rivet- - - - -	104284	2	2	..	..	..	..	2	2	..	..	..	..
Bolt - bracket to bar- - - - -	126442	4	4	..	..	..	..	4	4	..	..	..	..
Nut- - - - -	124573	4	4	..	..	..	..	4	4	..	..	..	..
Lockwasher - - - - -	120383	4	4	..	..	..	..	4	4	..	..	..	..
Plainwasher- - - - -	120389	4	4	..	..	..	..	4	4	..	..	..	..
Bolt - to sidemember - short- - - - -	120424	4	4	..	..	..	..	4	4	..	..	..	..
Bolt - to sidemember - long - - - - -	120234	2	2	..	..	..	..	2	2	..	..	..	..
Nut- - - - -	120371	6	6	..	..	..	..	6	6	..	..	..	..
Plainwasher- - - - -	120396	2	2	..	..	..	..	2	2	..	..	..	..
Lockwasher - - - - -	120384	6	6	..	..	..	..	6	6	..	..	..	..

Indicates amount used as required.

† Indicates parts included in packages.

PART NAME	PART NO.	MODEL CODES											
		DG AND FO					DH AND FP						
		1	2	3	4	5	6	1	2	4	5	6	7
<b>GROUP 13-I FRONT BUMPER BUFFER PLATES - TOW HOOK</b>													
<b>Buffer Plate</b>													
Plate - - - - -	1260575	2	2	..	..	..	..	2	2	..	..	..	..
Plate - - - - -	1260601	..	..	4	4	4	4	..	..	4	4	4	4
Plate - center - - - - -	1260582	1	1	..	..	..	..	1	1	..	..	..	..
Bolt - - - - -	1260592	*	*	*	*	*	*	*	*	*	*	*	*
Nut - - - - -	124573	*	*	*	*	*	*	*	*	*	*	*	*
Lockwasher - - - - -	120383	*	*	*	*	*	*	*	*	*	*	*	*
Spacer - - - - -	1271311	..	..	4	4	4	4	..	..	4	4	4	4
<b>Tow Hook - Front</b>													
Tow hook - front - - - - -	1272823	2	2	2	2	2	2	2	2	2	2	2	2
Bolt - small - - - - -	124180	2	2	2	2	2	2	2	2	2	2	2	2
Nut - - - - -	120371	2	2	2	2	2	2	2	2	2	2	2	2
Lockwasher - - - - -	120384	2	2	2	2	2	2	2	2	2	2	2	2
Bolt - large - - - - -	124250	2	2	2	2	2	2	2	2	2	2	2	2
Nut - - - - -	121358	2	2	2	2	2	2	2	2	2	2	2	2
Lockwasher - - - - -	121574	2	2	2	2	2	2	2	2	2	2	2	2

**NOTES:**

---



---



---



---



---



---



---



---



---



---



---



---



---



---



---



---



---



---



---



---



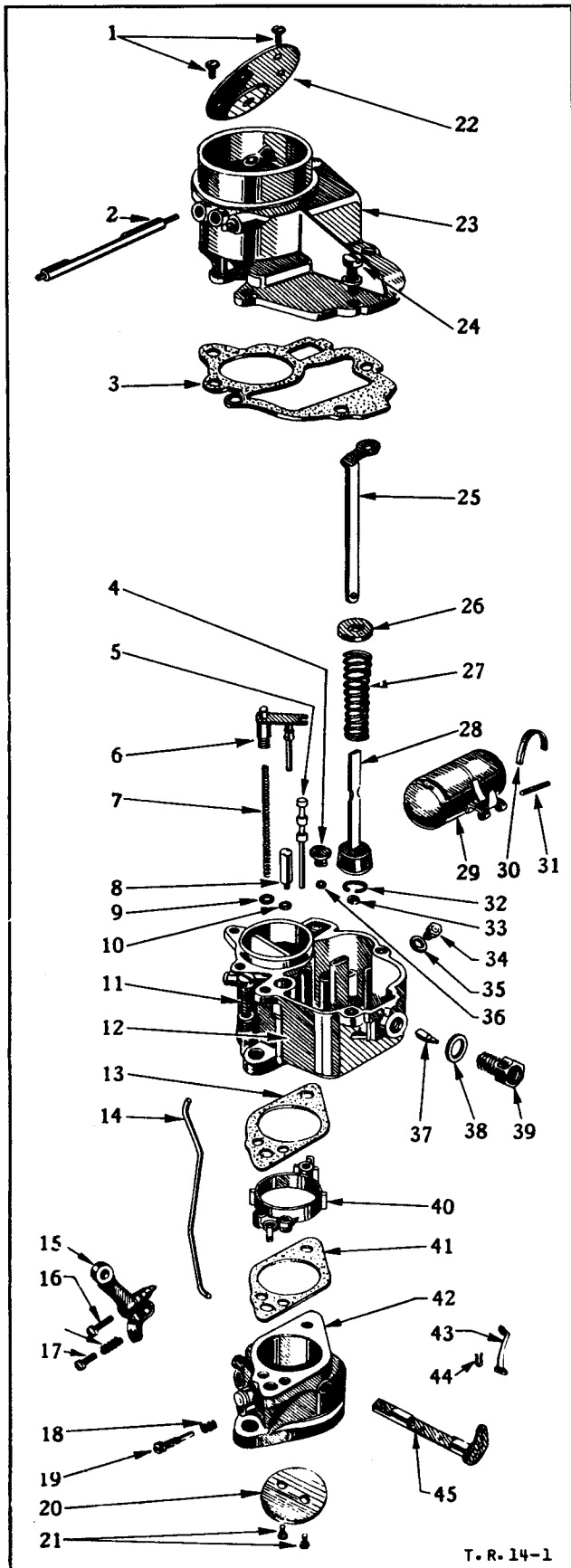
---



---

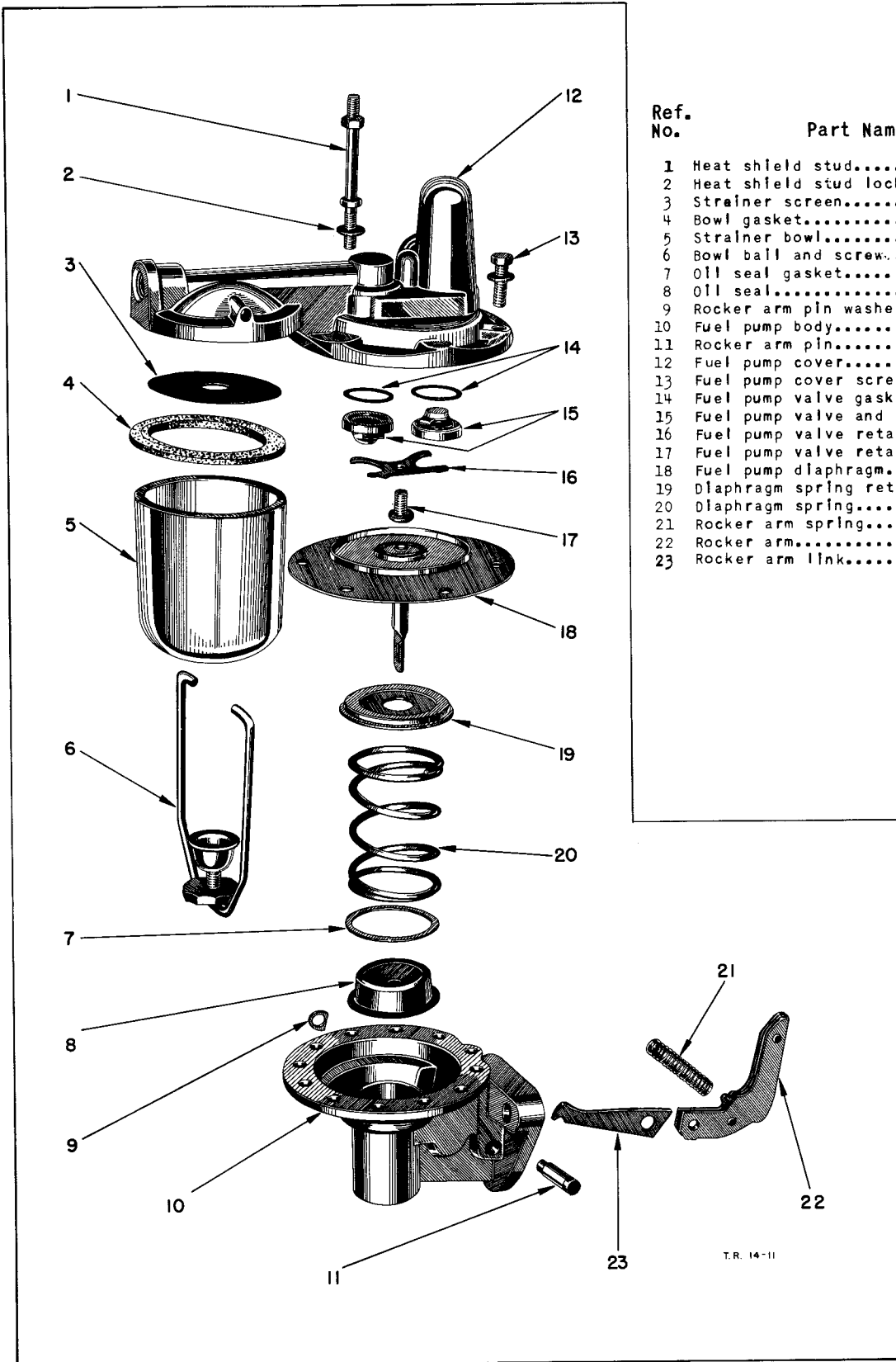
Indicates amount used as required. † Indicates parts included in packages.

CARBURETOR



Ref. No.	Part Name	Group
1	Valve attaching screw.....	14-D
2	Choke control lever and shaft.....	14-D
3	Body gasket.....	14-D
4	Pump check plug.....	14-D
5	Idle orifice tube and plug.....	14-D
6	Step-up piston, plate and rod.....	14-D
7	Step-up piston spring.....	14-D
8	Step-up jet.....	14-D
9	Step-up piston gasket.....	14-D
10	Step-up jet gasket.....	14-D
11	Flange attaching screw.....	14-D
12	Body - serviced in assembly.....	14-D
13	Flange gasket.....	14-D
14	Bell crank to carburetor rod.....	14-D
15	Throttle shaft lever.....	14-D
16	Throttle lever clamp screw.....	14-D
17	Throttle lever adjusting screw.....	14-D
18	Idle adjustment screw spring.....	14-D
19	Idle adjustment screw.....	14-D
20	Throttle valve.....	14-D
21	Valve attaching screw.....	14-D
22	Choke valve.....	14-D
23	Air horn.....	14-D
24	Air horn attaching screw.....	14-D
25	Pump connector link.....	14-D
26	Pump spring retainer.....	14-D
27	Pump spring.....	14-D
28	Plunger, spring and rod.....	14-D
29	Float and lever.....	14-D
30	Float lever pin retainer.....	14-D
31	Float lever pin.....	14-D
32	Pump retainer ring.....	14-D
33	Discharge check ball.....	14-D
34	Main metering jet.....	14-D
35	Main metering jet gasket.....	14-D
36	Intake check ball.....	14-D
37	Float needle - serviced in needle and seat assembly 861134.....	14-D
38	Float needle seat gasket.....	14-D
39	Float needle seat - serviced in needle and seat assembly 861134.....	14-D
40	Insulator.....	14-D
41	Flange gasket.....	14-D
42	Body flange.....	14-D
43	Pump operating link.....	14-D
44	Pump operating link pin spring.....	14-D
45	Throttle valve shaft assembly.....	14-D

FUEL PUMP



Ref. No.	Part Name	Group
1	Heat shield stud.....	14-H
2	Heat shield stud lockwasher.....	14-H
3	Strainer screen.....	14-H
4	Bowl gasket.....	14-H
5	Strainer bowl.....	14-H
6	Bowl ball and screw.....	14-H
7	Oil seal gasket.....	14-H
8	Oil seal.....	14-H
9	Rocker arm pin washer.....	14-H
10	Fuel pump body.....	14-H
11	Rocker arm pin.....	14-H
12	Fuel pump cover.....	14-H
13	Fuel pump cover screw.....	14-H
14	Fuel pump valve gasket.....	14-H
15	Fuel pump valve and cage.....	14-H
16	Fuel pump valve retainer.....	14-H
17	Fuel pump valve retainer screw.....	14-H
18	Fuel pump diaphragm.....	14-H
19	Diaphragm spring retainer.....	14-H
20	Diaphragm spring.....	14-H
21	Rocker arm spring.....	14-H
22	Rocker arm.....	14-H
23	Rocker arm link.....	14-H

T.R. 14-11

**GROUP 14 - FUEL**

**NOTE:** Parts referred to "Note 1" were used up to and including:  
 Parts referred to "Note 3" were used after the following Engine Serial Nos.:

T307 - 8915 C	T311 - 3882 C
T315 - 1988 C	TX315- 1714 C
T317 - 2011 C	T319 - 3220 C

**NOTE:** Parts referred to "Note 3" were used up to and including:  
 Parts referred to "Note 4" were used after the following Serial Nos.:

DG1 - 90101713	F01 - 90520477
DG2 - 91188228	F02 - 91509116
DG3 - 92000834	F03 - 92500915
DG4 - 93004000	F04 - 93503733
DG5 - 93252003	F05 - 93751678
DG6 - 94003367	F06 - 94502371

PART NAME	PART NO.	MODEL CODES											
		DG AND FO						DH AND FP					
		1	2	3	4	5	6	1	2	4	5	6	7
<b>GROUP 14-A ACCELERATOR AND THROTTLE CONTROL</b>													
<b>Accelerator Pedal</b>													
Pedal - - - - -	451964	1	1	1	1	1	1	1	1	1	1	1	1
Rod - L.H.D. - - - - -	590005	1	1	1	1	1	1	1	1	1	1	1	1
Rod - R.H.D. - - - - -	1262522	1	1	1	1	1	1	1	1	1	1	1	..
Pin - - - - -	138083	1	1	1	1	1	1	1	1	1	1	1	1
Plainwasher - - - - -	120392	1	1	1	1	1	1	1	1	1	1	1	1
Cotter pin - - - - -	112726	1	1	1	1	1	1	1	1	1	1	1	1
Button - - - - -	451965	1	1	1	1	1	1	1	1	1	1	1	1
<b>Accelerator Shaft Bracket</b>													
Assy. - L.H.D. - - - - -	1195527	1	1	1	1	1	1	1	1	1	1	1	1
Assy. - R.H.D. with lever rod - - - - -	1273148	1	1	..	..	..	..	1	1	..	..	..	..
Assy. - R.H.D. with pedal lever - - - - -	1196094	..	..	1	1	1	1	..	..	1	1	1	..
Bolt - R.H.D. to dash - - - - -	120741	2	2	2	2	2	2	2	2	2	2	2	2
Nut - - - - -	120368	2	2	2	2	2	2	2	2	2	2	2	..
Lockwasher - - - - -	120214	2	2	2	2	2	2	2	2	2	2	2	..
<b>Accelerator Shaft - L.H.D.</b>													
Shaft - - - - -	1195531	1	1	1	1	1	1	1	1	1	1	1	..
Shaft - - - - -	1408701	..	..	..	..	..	..	..	..	..	..	..	1
Lever - shaft to pedal - - - - -	642265	1	1	1	1	1	1	1	1	1	1	1	1
Pin - - - - -	103563	1	1	1	1	1	1	1	1	1	1	1	1
<b>Accelerator Shaft to Bellcrank Rod</b>													
Assy. - L.H.D. - - - - -	1195419	1	1	1	1	1	1	1	1	1	1	1	..
Assy. - - - - -	1408703	..	..	..	..	..	..	..	..	..	..	..	1
Assy. - R.H.D. - - - - -	1273249	1	1	..	..	..	..	1	1	..	..	..	..
Assy. - R.H.D. - - - - -	1196099	..	..	1	1	1	1	..	..	1	1	1	..
Spring - - - - -	920735	1	1	1	1	1	1	1	1	1	1	1	1
Cotter - - - - -	103373	2	2	2	2	2	2	2	2	2	2	2	..
Washer - R.H.D. - - - - -	120392	2	2	2	2	2	2	2	2	2	2	2	..
Clip - R.H.D. - - - - -	51995	1	1	1	1	1	1	1	1	1	1	1	..
Ball joint - - - - -	1117181	..	..	..	..	..	..	..	..	..	..	..	1
Nut - std. - - - - -	120367	..	..	..	..	..	..	..	..	..	..	..	1
Nut - thin - - - - -	120613	..	..	..	..	..	..	..	..	..	..	..	1
Lockwasher - - - - -	120380	..	..	..	..	..	..	..	..	..	..	..	1
<b>GROUP 14-B THROTTLE AND CHOKE CONTROL</b>													
<b>Throttle Control Bellcrank</b>													
Bell crank - - - - -	640407	1	1	1	1	1	1	1	1	1	1	1	..
Bell crank - - - - -	1408705	..	..	..	..	..	..	..	..	..	..	..	2
Swivel - - - - -	1261312	1	1	1	1	1	1	1	1	1	1	1	2
Clip - - - - -	639174	1	1	1	1	1	1	1	1	1	1	1	1
Lever stud - - - - -	602071	1	1	1	1	1	1	1	1	1	1	1	..
Stud - - - - -	1408706	..	..	..	..	..	..	..	..	..	..	..	2
Spring washer - - - - -	391888	1	1	1	1	1	1	1	1	1	1	1	2
Spring - - - - -	1268346	..	..	..	..	..	..	..	..	..	..	..	1

Indicates amount used as required.

† Indicates parts included in packages.

**GROUP 14 - FUEL**

PART NAME	PART NO.	MODEL CODES										
		DG AND FO					DH AND FP					
		1	2	3	4	5	6	1	2	4	5	6
<b>GROUP 14-B THROTTLE AND CHOKE CONTROL (CONT'D)</b>												
<b>Throttle Control Bellcrank (cont'd)</b>												
Lockwasher - - - - -	120214	1	1	1	1	1	1	1	1	1	1	2
Plainwasher - - - - -	120387	1	1	1	1	1	1	1	1	1	1	2
Cotter Pin - - - - -	103373	1	1	1	1	1	1	1	1	1	1	2
<b>Throttle Control Bellcrank to Carburetor Rod</b>												
Rod - less governor - - - - -	1194834	1	1	..	..	..	..	1	1	..	..	..
Rod - with governor - - - - -	1194835	1	1	..	..	..	..	1	1	..	..	..
Rod - less governor - - - - -	919981	..	..	1	1	..	..	..	..	1	..	..
Rod - with governor - - - - -	919982	..	..	1	1	..	..	..	..	1	..	..
Rod - - - - -	919982	..	..	..	1	1	..	..	..	1	1	..
Cotter - - - - -	112726	2	2	2	2	2	2	2	2	2	2	..
<b>Throttle Control Bellcrank Rod</b>												
Rod - to engine bellcrank connecting - - -	1408708	..	..	..	..	..	..	..	..	..	..	1
Balljoint - - - - -	1117181	..	..	..	..	..	..	..	..	..	..	2
Nut - std. - $\frac{1}{4}$ - 28 - - - - -	120367	..	..	..	..	..	..	..	..	..	..	2
Nut - thin - $\frac{1}{4}$ - 28 - - - - -	120613	..	..	..	..	..	..	..	..	..	..	2
Lockwasher - - - - -	120380	..	..	..	..	..	..	..	..	..	..	2
Rod - front - to carb. - - - - -	1408713	..	..	..	..	..	..	..	..	..	..	1
Balljoint - - - - -	694895	..	..	..	..	..	..	..	..	..	..	1
Balljoint - - - - -	1267138	..	..	..	..	..	..	..	..	..	..	1
Rod - rear - to carb. - - - - -	1408715	..	..	..	..	..	..	..	..	..	..	1
Balljoint - - - - -	694895	..	..	..	..	..	..	..	..	..	..	1
Balljoint - - - - -	1117181	..	..	..	..	..	..	..	..	..	..	1
Nut - std. - $\frac{1}{4}$ - 28 - - - - -	120367	..	..	..	..	..	..	..	..	..	..	2
Nut - thin - $\frac{1}{4}$ - 28 - - - - -	120613	..	..	..	..	..	..	..	..	..	..	2
Lockwasher - - - - -	120380	..	..	..	..	..	..	..	..	..	..	2
Nut - #10 - 32 - - - - -	120614	..	..	..	..	..	..	..	..	..	..	2
Lockwasher - - - - -	120217	..	..	..	..	..	..	..	..	..	..	2
<b>Throttle Control</b>												
Assy. - - - - -	1188427	1	1	1	1	1	1	1	1	1	1	1
Nut - mounting - - - - -	1189496	1	1	1	1	1	1	1	1	1	1	1
Washer - - - - -	1194598	1	1	1	1	1	1	1	1	1	1	1
Knob - white letters - - - - -	1191534	1	1	1	1	1	1	1	1	1	1	1
Knob - black letters - - - - -	1107432	1	1	1	1	1	1	1	1	1	1	1
<b>Throttle Control Wire Tube Bracket</b>												
Bracket - - - - -	602069	1	1	1	1	1	1	1	1	1	1	..
Bracket - - - - -	1408711	..	..	..	..	..	..	..	..	..	..	1
Screw - - - - -	122007	1	1	1	1	1	1	1	1	1	1	1
Lockwasher - - - - -	120214	1	1	1	1	1	1	1	1	1	1	1
Clip - - - - -	389413	1	1	1	1	1	1	1	1	1	1	1
Bolt - - - - -	120221	1	1	1	1	1	1	1	1	1	1	1
Nut - - - - -	120361	1	1	1	1	1	1	1	1	1	1	1
Lockwasher - - - - -	138479	1	1	1	1	1	1	1	1	1	1	1
<b>Throttle Control Lever</b>												
Assy. - - - - -	602068	1	1	1	1	1	1	1	1	1	1	..
Assy. - - - - -	1408709	..	..	..	..	..	..	..	..	..	..	1
Screw - lever swivel - - - - -	131958	1	1	1	1	1	1	1	1	1	1	1
<b>Throttle Control Spring</b>												
Spring - accelerator pedal return - - - - -	1088169	1	1	1	1	1	1	1	1	1	1	1
Cotter - - - - -	108630	1	1	1	1	1	1	1	1	1	1	1
<b>Choke Control</b>												
Assy. - - - - -	1188427	1	1	1	1	1	1	1	1	1	1	..
Nut - mounting - - - - -	1189496	1	1	1	1	1	1	1	1	1	1	..
Washer - - - - -	1194598	1	1	1	1	1	1	1	1	1	1	..
Knob - white letters - - - - -	1191537	1	1	1	1	1	1	1	1	1	1	..
Knob - black letters - - - - -	1107431	1	1	1	1	1	1	1	1	1	1	..
<b>Control Cable Dash Bracket</b>												
Bracket - - - - -	927156	1	1	1	1	1	1	1	1	1	1	1
Clamp - - - - -	927157	1	1	1	1	1	1	1	1	1	1	1

Indicates amount used as required.

† Indicates parts included in packages.

**GROUP 14-FUEL**

PART NAME	PART NO.	MODEL CODES										
		DG AND FO					DH AND FP					
		1	2	3	4	5	6	1	2	4	5	6
<b>GROUP 14-B THROTTLE AND CHOKE CONTROL (CONT'D)</b>												
Control Cable Dash Bracket (cont'd)												
Screw - - - - -	132900	2	2	2	2	2	2	2	2	2	2	2
Lockwasher - - - - -	138479	2	2	2	2	2	2	2	2	2	2	2
Screw - mounting - - - - -	121900	2	2	2	2	2	2	2	2	2	2	2
<b>GROUP 14-C CARBURETOR AIR CLEANER</b>												
<b>Air Cleaner</b>												
Assy. - 1 pint capacity - - - - -	1326987	1	1	1	1	1	1	..	..	..	..	..
Assy. - - - - -	1330023	..	..	..	..	..	..	1	1	..	..	..
Assy. - 1 quart capacity - - - - -	1273719	1	1	1	1	1	1	..	..	1	1	1
Assy. - 1 pint capacity - - - - -	919801	..	..	..	..	..	..	..	..	..	..	..
Gasket - to carb. - - - - -	952062	1	1	1	1	1	1	1	1	1	1	2
Gasket - air cleaner to filter - 1273719												
assy. - - - - -	1107900	1	1	1	1	1	1	1	1	1	1	..
Bracket - steady - with 1330023 assy. -	1330085	..	..	..	..	..	..	1	1	..	..	..
Screw and washer - - - - -	187014	..	..	..	..	..	..	1	1	..	..	..
<b>GROUP 14-D CARBURETOR</b>												
<b>Carburetor</b>												
Assy. - vendor no. DTF1 - less fluid drive-	1317257	1	..	..	..	..	..	1	..	..	..	..
Assy. - vendor no. DTH1 - with fluid drive-	1269281	1	..	..	..	..	..	..	..	..	..	..
Assy. - vendor no. E7T1 - less fluid drive-	1317258	..	1	1	1	1	1	..	1	1	1	1
Assy. - vendor no. E7R1 - with fluid drive-	1318987	..	1	..	..	..	..	..	..	..	..	..
Assy. - vendor no. E9K1 - - - - -	1503583	..	..	..	..	..	..	..	..	..	..	2
Stud - to manifold - - - - -	113247	2	2	2	2	..	..	2	2	2	..	..
Stud - to manifold - - - - -	103203	..	..	..	..	2	2	..	..	..	2	2
Stud - to manifold - - - - -	128040	..	..	..	..	..	..	..	..	..	..	4
Nut - - - - -	120369	2	2	2	2	2	2	2	2	2	2	4

CARBURETOR COMPONENT PARTS	QTY.	1317257 Assy.	1317258 Assy.	1269281 Assy.	1318987 Assy.
<b>Carburetor body flange</b>					
Assembly - - - - -	1	1318510	1318515	1322744	---
<b>Carburetor gaskets</b>					
Flange to manifold - less governor - - - - -	1	697696	637191	697696	697696
Float needle seat - - - - -	1	645613	645613	645613	645613
Flange to manifold - with governor - - - - -	*	697695	562221	697695	697695
Main metering jet - - - - -	1	651183	651183	651183	651183
Step - up jet - - - - -	1	651184	651184	651184	651184
Step - up piston - - - - -	1	651185	651185	651185	651185
Body to air horn - - - - -	1	697712	697712	952633	952633
Flange to insulator - - - - -	2	1318512	1318517	1318512	1318517
<b>Carburetor jets</b>					
Main metering jet assy. - standard - - - - -	1	1316030	1316031	1316030	1316031
Main metering jet assy. - 1 size lean - - - - -	1	1316029	1316032	1316029	1316032
Main metering jet assy. - 2 size lean - - - - -	1	1316034	1316033	1316034	1316033
Main metering jet assy. - 3 sizes lean - - - - -	1	---	1316030	---	1316030
Pump jet - - - - -	1	697706	697707	697706	697707
Step - up jet assy. - - - - -	1	667379	675664	651221	675664
<b>Carburetor springs</b>					
Step - up piston spring - - - - -	1	662790	662790	662790	662790
Pump spring - conical - - - - -	1	675665	675740	675665	675740
Pump operating link pin spring - - - - -	1	645669	645669	645669	645669
Idle adjustment screw spring - - - - -	1	645642	645642	645642	645642
Choke pull back spring - - - - -	1	651192	651192	651192	---
Pump plunger leather spring - - - - -	1	691315	691315	691315	691315
<b>Carburetor screws, nuts, lockwashers</b>					
Body Screw and washer - - - - -	*	952583	952583	952583	952583
Air horn screw and washer - - - - -	*	952584	952584	963808	963808
Throttle lever adjusting screw - - - - -	1	1317521	1317521	1317521	1317521
Idle adjustment screw - - - - -	1	645639	645639	645639	645639
Throttle lever clamp screw - - - - -	1	957803	957803	957803	957803

Indicates amount used as required.

† Indicates parts included in packages.

GROUP 14 - FUEL

CARBURETOR COMPONENT PARTS - (CONT'D)	QTY.	1317257 Assy.	1317258 Assy.	1269281 Assy.	1318987 Assy.
<b>Carburetor screws, nuts, lockwashers - (Cont'd)</b>					
Choke bracket screw and washer - - - - -	1	917089	917089	917089	917089
Valve attaching screw - - - - -	4	678576	678576	678576	678576
Choke tube clamp screw - - - - -	1	665403	665403	665403	665403
Choke tube clamp screw nut - - - - -	1	665404	665404	665404	665404
Throttle lever clamp screw nut - - - - -	1	120614	120614	120614	120614
Flange stud nut - - - - -	2	120369	120369	120369	120369
Flange stud nut lockwasher - - - - -	2	120382	120382	120382	120382
Throttle lever spring washer - - - - -	1	856508	856508	---	---
Choke wire clamp screw - - - - -	1	131954	131954	131954	131954
<b>Carburetor plugs</b>					
Step - up passage rivet plug - - - - -	1	688102	688102	688102	688102
Main metering rivet passage plug - - - - -	1	1136041	1136041	1136041	1136041
Idle port rivet plug - - - - -	1	688106	688106	688106	688106
Pump discharge check ball passage plug - - - - -	1	689485	689485	689485	689485
Pump check rivet passage plug - - - - -	1	697704	697704	697704	697704
Idle passage rivet plug - - - - -	1	699811	699811	699811	699811
Pump discharge passage rivet plug - - - - -	1	699811	699811	699811	699811
Vacuum spark control hole plug - - - - -	1	143932	---	---	---
<b>Carburetor throttle</b>					
Valve - - - - -	1	697697	662783	697697	662783
Lever shaft and arm assy. - - - - -	1	957797	922090	1127836	---
Lever assy. - - - - -	1	957798	957798	957798	957798
<b>Carburetor choke</b>					
Valve assy. - - - - -	1	1141762	689496	1141762	689496
Control lever and shaft assy. - - - - -	1	957800	957800	957800	957800
Choke tube bracket assy. - - - - -	1	651194	651194	651194	651194
<b>Carburetor float</b>					
Assembly - float and lever - - - - -	1	645636	645636	645636	645636
Pin - - - - -	1	651186	651186	651186	651186
Retainer - - - - -	1	651197	651197	651197	651197
Needle and seat assy. - - - - -	1	861134	861134	861134	861134
Needle and seat package - spring loaded - - - - -	1	1107214	1107214	1107214	1107214
<b>Carburetor step-up</b>					
Piston, plate and rod assy. - - - - -	1	689493	689493	689493	689493
<b>Carburetor pump</b>					
Plunger and rod assy. - - - - -	1	697709	697709	697709	697709
Operating link - - - - -	1	689499	689499	689499	689499
Spring retainer - - - - -	1	699839	699839	699839	699839
Connector link - - - - -	1	697710	697710	697710	697710
Discharge check ball - - - - -	1	689488	689488	689488	689488
Retainer ring - - - - -	1	678606	678606	678606	678606
Intake check ball - - - - -	1	651205	651205	651205	651205
<b>Carburetor tubes</b>					
Idle orifice tube and plug assy. - - - - -	1	689491	689491	689491	689491
Main vent tube - - - - -	1	675666	675741	675666	675741
<b>Carburetor air horn</b>					
Assembly - - - - -	1	1318511	1318516	---	---
<b>Carburetor insulator</b>					
Insulator - - - - -	1	1318513	1318513	1318513	1318513
<b>Carburetor dash pot parts</b>					
Adjustment screw - - - - -	1	---	---	952628	952628
Spring - - - - -	1	---	---	952622	952622
Lifter link - - - - -	1	---	---	958216	---
Pin spring - - - - -	2	---	---	645669	645669
Lifter - - - - -	1	---	---	1322726	1322726
Plunger and rod assy. - - - - -	1	---	---	871999	871999
Pick - up arm - - - - -	1	---	---	1322725	1322725
Arm spring - - - - -	1	---	---	1141756	1141756

Indicates amount used as required.

† Indicates parts included in packages.



**GROUP 14 - FUEL**

PART NAME	PART NO.	MODEL CODES											
		DG AND FO					DH AND FP						
		1	2	3	4	5	6	1	2	4	5	6	7
<b>GROUP 14-D CARBURETOR (CONT'D)</b>													
Carburetor to Distributor Vacuum Control Tube													
Assy. - - - - -	861558	1	..	..	..	..	..	1	..	..	..	..	..
Nut - - - - -	137396	2	..	..	..	..	..	2	..	..	..	..	..
Elbow - - - - -	137420	1	..	..	..	..	..	1	..	..	..	..	..
Connector - - - - -	670463	1	..	..	..	..	..	1	..	..	..	..	..
Clip - - - - -	1122920	1	..	..	..	..	..	1	..	..	..	..	..
<b>GROUP 14-E GOVERNOR</b>													
<b>Governor</b>													
Assy. - 1200-2800 R.P.M. - seal type - - -	1190828	1	1	..	..	..	..	1	1	..	..	..	..
Assy. - 2500-3300 R.P.M. - seal type - - -	1191178	1	..	..	..	..	..	1	..	..	..	..	..
Assy. - 2500-3300 R.P.M. - seal type - - -	1190829	..	1	..	..	..	..	..	1	..	..	..	..
Assy. - 1200-2800 R.P.M. - seal type - - -	1263608	..	..	1	1	..	..	..	..	1	..	..	..
Assy. - 2500-3300 R.P.M. - seal type - - -	1263609	..	..	1	1	..	..	..	..	1	..	..	..
Assy. - 2200-3200 R.P.M. - seal type - - -	1263610	..	..	..	1	1	1	..	..	1	1	..	..
Assy. - 2500-3300 R.P.M. - seal type - - -	1392346	..	..	..	..	..	..	..	..	..	..	1	..
Assy. - - - - -	1503584	..	..	..	..	..	..	..	..	..	..	..	2
Assy. - range to 3000 R.P.M. key type - - -	1144720	1	1	1	1	1	1	1	1	1	1	1	..
Assy. - range over 3000 R.P.M. key type - -	1144757	1	1	1	1	1	1	1	1	1	1	1	..
Plug - - - - -	143932	..	2	2	2	2	2	2	2	2	2	2	..
Seal - - - - -	1067209	1	1	1	1	1	1	1	1	1	1	1	2
Stud - attaching - - - - -	103203	2	2	2	2	2	2	2	2	2	2	2	4
Gasket - flange - with 1191178 - 1190829													
1263609 - 1392346 - 1503584 governor - -	562221	2	2	2	2	2	2	2	2	2	2	2	4
Gasket - flange - with 1190828 - 1263608													
governor - - - - -	637191	2	2	2	2	2	2	2	2	2	2	2	..
Rod - bellcrank to carb. - - - - -	1194835	1	1	..	..	..	..	1	1	..	..	..	..
Rod - bellcrank to carb. - - - - -	919982	..	..	1	1	1	1	..	..	1	1	1	1
<b>Governor Tube</b>													
Assy. - fuel pump to carb. - 24" long - - -	861832	1	1	..	..	..	..	1	1	..	..	..	..
Assy. - fuel pump to carb. - 26" long - - -	861833	..	..	1	1	1	1	..	..	1	1	1	2
Assy. - carb. to gov. vacuum control - 13" long	861540	1	..	..	..	..	..	1	..	..	..	..	..
Assy. - Gov. to dist. vacuum control - 38" long	861556	1	..	..	..	..	..	1	..	..	..	..	..
Nut - - - - -	137396	2	..	..	..	..	..	..	..	..	..	..	..
Elbow - - - - -	137420	2	..	..	..	..	..	..	..	..	..	..	..
<b>GROUP 14-F FUEL FILTER</b>													
<b>Fuel Filter - Note</b>													
Assy. - - - - -	1320213	1	1	1	1	1	1	..	..	..	..	..	..
Gasket - - - - -	1320527	1	1	1	1	1	1	..	..	..	..	..	..
Filter - - - - -	1138687	1	1	1	1	1	1	..	..	..	..	..	..
Bowl - - - - -	1322321	1	1	1	1	1	1	..	..	..	..	..	..
Retainer - - - - -	1316416	1	1	1	1	1	1	..	..	..	..	..	..
Spring - - - - -	1322322	1	1	1	1	1	1	..	..	..	..	..	..
<b>Fuel Filter - Note 2</b>													
Assy. - - - - -	1402141	1	1	1	1	1	1	1	1	1	1	1	..
Gasket - - - - -	1320527	1	1	1	1	1	1	1	1	1	1	1	..
Filter - - - - -	1138687	1	1	1	1	1	1	1	1	1	1	1	..
Bowl - - - - -	1402615	1	1	1	1	1	1	1	1	1	1	1	..
Retainer assy. - - - - -	1402617	1	1	1	1	1	1	1	1	1	1	1	..
Spring - - - - -	1142993	1	1	1	1	1	1	1	1	1	1	1	..
Fuel filter assy. - - - - -	1502617	..	..	..	..	..	..	..	..	..	..	..	2
<b>Fuel Filter - Dash Mounted - Frame Mounted</b>													
Assy. - - - - -	1105121	1	1	1	1	1	1	1	1	1	1	1	1
Bolt - to dash - - - - -	120647	2	2	..	..	..	..	2	2	..	..	..	..
Bolt - to frame - - - - -	121615	2	2	..	..	..	..	2	2	..	..	..	..
Bolt - to frame - - - - -	120677	..	..	2	2	2	2	..	..	2	2	2	2
Nut - - - - -	120369	2	2	2	2	2	2	2	2	2	2	2	2
Lockwasher - - - - -	120382	2	2	2	2	2	2	2	2	2	2	2	2
Plainwasher - - - - -	120394	2	2	..	..	..	..	..	..	..	..	..	..
Valve assy. - fuel tank shut-off - frame mounted	1106631	1	1	1	1	1	1	1	1	1	1	1	1

Indicates amount used as required.

† Indicates parts included in packages.

GROUP 14 - FUEL

PART NAME	PART NO.	MODEL CODES											
		DG AND FO					DH AND FP						
		1	2	3	4	5	6	1	2	4	5	6	7
<b>GROUP 14-F FUEL FILTER (CONT'D)</b>													
Fuel Filter - Dash Mounted - Frame Mounted - (Cont'd)													
Elbow - - - - -	1263882	..	..	2	2	2	2	..	..	2	2	2	2
Tube assy. - fuel tank to fuel filter - dash mounted - 48" long - - - - -	861842	1	1	..	..	..	..	1	1	..	..	..	..
Tube assy. - fuel tank to fuel filter - dash mounted - 56" long - - - - -	861844	..	..	..	1	1	1	..	..	1	1	1	1
Nut - - - - -	137398	2	2	..	..	..	..	2	2	..	..	..	..
Clip - - - - -	581524	1	1	..	..	..	..	1	1	..	..	..	..
Bolt - - - - -	123316	1	1	..	..	..	..	1	1	..	..	..	..
Nut - - - - -	120367	1	1	..	..	..	..	1	1	..	..	..	..
Lockwasher - - - - -	120380	1	1	..	..	..	..	1	1	..	..	..	..
Tube assy. - fuel tank to fuel filter - frame mounted - 24" long - - - - -	861832	1	1	..	..	..	..	1	1	..	..	..	..
Nut - - - - -	137398	2	2	..	..	..	..	2	2	..	..	..	..
Elbow - - - - -	1263882	1	1	..	..	..	..	1	1	..	..	..	..
Hose assy. - fuel tank to fuel filter - dash mounted - - - - -	1188258	1	1	1	1	1	1	1	1	1	1	1	1
Elbow - - - - -	143343	1	1	1	1	1	1	1	1	1	1	1	1
Tube assy. - fuel filter to fuel pump - dash mounted - 60" long - - - - -	861845	1	1	..	..	..	..	1	1	..	..	..	..
Nut - - - - -	137398	1	1	..	..	..	..	1	1	..	..	..	..
Tube assy. - fuel filter to fuel pump - frame mounted - 104" long - - - - -	861852	1	1	..	..	..	..	1	1	..	..	..	..
Tube assy. - fuel filter to fuel pump - frame mounted - 112" long - - - - -	861853	..	..	1	1	1	1	..	..	1	1	1	1
Nut - - - - -	137398	2	2	2	2	2	2	2	2	2	2	2	2
Elbow - - - - -	1263882	1	1	..	..	..	..	1	1	..	..	..	..
Hose assy. - fuel filter to fuel pump - dash mounted - - - - -	1188258	2	2	..	..	..	..	2	2	..	..	..	..
Elbow - - - - -	143343	1	1	..	..	..	..	1	1	..	..	..	..
Clip - - - - -	1263079	1	1	..	..	..	..	1	1	..	..	..	..
Clip - - - - -	71411	..	..	..	1	1	1	..	..	1	1	1	1
<b>GROUP 14-G FUEL GAUGE</b>													
<b>Fuel Gauge</b>													
Assy. - panel unit flat face cowl - - - -	1272353	1	1	1	1	1	1	1	1	1	1	1	1
Assy. - panel unit except flat face - - -	1271228	1	1	1	1	1	1	1	1	1	1	1	1
Nut - terminal - - - - -	120614	3	3	3	3	3	3	3	3	3	3	3	3
Lockwasher - - - - -	138479	3	3	3	3	3	3	3	3	3	3	3	3
Assy. - tank unit - inside mounted - - - -	1260734	1	1	1	1	1	1	..	..	1	1	1	1
Assy. - tank unit - inside mounted - - - -	1392011	..	..	..	..	..	..	1	1	..	..	..	..
Seal - - - - -	1138371	1	1	1	1	1	1	1	1	1	1	1	1
Screw - terminal - - - - -	121832	1	1	1	1	1	1	1	1	1	1	1	1
Lockwasher - - - - -	138530	1	1	1	1	1	1	1	1	1	1	1	1
Retainer - - - - -	1136747	1	1	1	1	1	1	1	1	1	1	1	1
Assy. - tank unit - outside mounted 15 imp. gals. - - - - -	1269120	..	..	1	1	1	1	..	..	1	1	1	1
Assy. - tank unit - outside mounted 25 imp. gals. - - - - -	1269119	..	..	..	1	..	1	..	..	..	..	..	..
Gasket - - - - -	55985	..	..	1	1	1	1	..	..	1	1	1	1
Screw - mounting - - - - -	599677	..	..	5	5	5	5	..	..	5	5	5	5
Lockwasher - - - - -	312941	..	..	5	5	5	5	..	..	5	5	5	5
Assy. - left tank unit - dual installation - 21 imp. gals. - - - - -	1269121	..	..	..	1	1	1	..	..	1	1	1	1
Assy. - right - tank unit - dual installation - 21 imp. gals. - - - - -	1269118	..	..	..	1	1	1	..	..	1	1	1	1
Screw - terminal - - - - -	121832	..	..	..	1	1	1	..	..	1	1	1	1
Lockwasher - - - - -	138530	..	..	..	1	1	1	..	..	1	1	1	1
Switch assy. - double throw - outside mounted - - - - -	923363	..	..	..	1	1	1	..	..	1	1	1	1
Resistor assy. - 12 volt - - - - -	921257	..	..	..	..	..	1	..	..	..	..	1	1
<b>GROUP 14-H FUEL PUMP - FUEL PUMP HEAT SHIELD</b>													
<b>Fuel Pump Auto Pulse</b>													
Package - - - - -	1113103	1	1	1	1	1	1	1	1	1	1	1	1
Bracket - - - - -	1270088	1	1	..	..	..	..	1	1	..	..	..	..

Indicates amount used as required.

† Indicates parts included in packages.

**GROUP 14 - FUEL**

PART NAME	PART NO.	MODEL CODES											
		DG AND FO					DH AND FP						
		1	2	3	4	5	6	1	2	4	5	6	7
<b>GROUP 14-H FUEL PUMP - FUEL PUMP HEAT SHIELD (CONT'D)</b>													
<b>Fuel Pump - Auto Pulse (cont'd)</b>													
Screw - mounting - - - - -	121900	2	2	2	2	2	2	2	2	2	2	2	2
Lockwasher - - - - -	120380	2	2	2	2	2	2	2	2	2	2	2	2
Nut - term - - - - -	120622	1	1	1	1	1	1	1	1	1	1	1	1
Lockwasher - - - - -	138530	1	1	1	1	1	1	1	1	1	1	1	1
Nipple - inlet - - - - -	137406	1	1	..	..	..	..	1	1	..	..	..	..
Elbow - inlet - - - - -	137422	..	..	1	1	1	1	..	..	1	1	1	1
Elbow - outlet - - - - -	137422	1	1	1	1	1	1	1	1	1	1	1	1
Cable - 80" long - - - - -	385573	*	*	*	*	*	*	*	*	*	*	*	*
Sleeve - - - - -	926026	2	2	2	2	2	2	2	2	2	2	2	2
Terminal - - - - -	200393	2	2	2	2	2	2	2	2	2	2	2	2
Tube assy. - fuel pump to fuel tank - 10½" long - - - - -	861811	1	1	..	..	..	..	1	1	..	..	..	..
Tube assy. - fuel pump to fuel tank - 12" long - - - - -	861814	..	..	1	1	1	1	..	..	1	1	1	1
Tube assy. - fuel pump to aux. fuel pump - 90" long exc. bus - - - - -	861942	..	..	1	1	1	1	..	..	1	1	1	1
Tube assy. - fuel pump to aux. fuel pump - 78" long - bus - - - - -	861940	..	..	1	1	1	1	..	..	1	1	1	1
Tube assy. - fuel pump to fuel tank - 22" long - except bus - outside mounted tank and std. tank - - - - -	861830	..	..	1	1	1	1	..	..	1	1	1	1
<b>Fuel Pump</b>													
Assy. - standard - - - - -	1316530	1	1	1	1	1	1	1	1	1	1	1	1
Gasket - - - - -	1324919	1	1	1	1	1	1	1	1	1	1	1	1
Assy. - vacuum booster type - - - - -	1312586	1	..	..	..	..	..	1	..	..	..	..	..
Gasket - - - - -	688481	1	..	..	..	..	..	1	..	..	..	..	..
Screw - attaching - - - - -	122027	2	2	2	2	2	2	2	2	2	2	2	2
Lockwasher - - - - -	120214	2	2	2	2	2	2	2	2	2	2	2	2
Nipple - inlet and outlet - - - - -	137406	2	2	2	2	2	2	2	2	2	2	2	2
<b>Fuel Pump Heat Shield</b>													
Shield - L.H.D. - - - - -	1316587	1	1	..	..	..	..	1	1	..	..	..	..
Shield assy. - R.H.D. - - - - -	1268507	1	1	..	..	..	..	1	1	..	..	..	..
Shield - - - - -	1316587	..	..	1	1	1	1	..	..	1	1	1	1
Shield - for 1312586 fuel pump - - - - -	1313008	1	..	..	..	..	..	1	..	..	..	..	..
Stud - attaching - - - - -	608138	1	1	1	1	1	1	1	1	1	1	1	1
Nut - - - - -	110330	1	1	1	1	1	1	1	1	1	1	1	1
Lockwasher - - - - -	120217	1	1	1	1	1	1	1	1	1	1	1	1
<b>FUEL PUMP COMPONENT PARTS</b>							<b>QTY.</b>	<b>1316530</b>		<b>1312586</b>			
<b>Body</b>								<b>Assy.</b>		<b>Assy.</b>			
Assy. - fuel section - - - - -							1	1400900		699817			
Curled hair - 2 oz. - - - - -							1	---		699779			
Retainer - - - - -							1	---		699819			
Oil seal - - - - -							1	1400893		699795			
Gasket - - - - -							1	1400894		699793			
<b>Cover</b>													
Assy. - fuel section - - - - -							1	---		699813			
Assy. - top - - - - -							1	1400899					
Screw - - - - -							*	131121		131121			
Lockwasher - - - - -							*	120217		120217			
Cover bottom - fuel section - - - - -							1	---		699813			
<b>Cover Plate</b>													
Plate - - - - -							1	---		1316738			
Screw - - - - -							1	---		123325			
Gasket - screw - - - - -							1	---		674311			
Gasket - - - - -							1	---		699823			
<b>Diaphragm</b>													
Assy. - fuel section - - - - -							1	1400898		1316735			
Spring - - - - -							1	1404593		699796			
Retainer - - - - -							1	1314517		699808			

Indicates amount used as required.

† Indicates parts included in packages.

**GROUP 14 - FUEL**

14-10

FUEL PUMP COMPONENT PARTS - (CONT'D)	QTY.	1316530 Assy.	1312586 Assy.
<b>Diaphragm - (Cont'd)</b>			
Oil seal assy. - fuel section	1	---	699795
Gasket	1	---	699793
Oil seal retainer upper - vac. section	1	---	699802
Oil seal retainer lower - vac. section	1	---	699804
Spring - lower - vac. section	1	---	699803
Spring seat - vac. section	1	---	699827
Spring - upper - vac. section	1	---	1316739
Diaphragm and pull rod assy. - vac. section	1	---	1316736
<b>Rocker Arm</b>			
Arm	1	1400890	689569
Link - fuel section	1	1400892	699788
Washer	1	---	699792
Pin	1	1400891	639130
Bushing	1	---	699807
Washer	1	1314534	1314534
Spring	1	1400895	639136
Link - right - vac. section	1	---	699789
Link - left - vac. section	1	---	699790
<b>Strainer</b>			
Bail and screw assy.	1	1400897	689506
Bowl	1	1314543	---
Gasket	1	1316026	1141776
Screen - fuel section	1	1322717	863487
Screen - vac. section	1	---	699824
Retainer - vac. section	1	---	699825
Bowl and gasket package	1	---	1141775
<b>Valve</b>			
Assy.	4	---	689505
Gasket	4	---	689501
Plate or retainer	1	1314530	1314530
Screw	1	1400889	---

PART NAME	PART NO.	MODEL CODES											
		DG AND FO					DH AND FP						
		1	2	3	4	5	6	1	2	4	5	6	7
<b>GROUP 14-I FUEL TANK</b>													
<b>Fuel Tank</b>													
Assy. - panel	1269965	1	..	..	..	..	..	..	..	..	..	..	
Assy. - panel	1501552	..	..	..	..	..	..	1	..	..	..	..	
Assy. - except panel	1501550	..	..	..	..	..	..	1	1	..	..	..	
Assy. - cab and express	1269963	1	1	1	1	1	1	..	..	..	..	..	
Assy. - cab	1269963	..	..	..	..	..	..	..	1	1	1	1	
Assy. - chassis and cowl	1269961	1	1	1	1	1	1	..	..	..	..	..	
Assy. - chassis and cowl	1269961	..	..	..	..	..	..	..	1	1	1	1	
Assy. - outside mtd. - left side - 15 imp. gals. - with prod. tank	1273903	..	..	1	1	1	1	..	..	1	1	1	1
Assy. - outside mounted - 25 imp. gals. - less prod. tank	1273899	..	..	..	1	..	1	..	..	..	..	..	
Assy. - right - dual outside mounted - 21 imp. gals.	1273884	..	..	..	1	..	1	..	..	1	..	1	..
Assy. - left - dual outside mounted - 21 imp. gals.	1273885	..	..	..	1	..	1	..	..	1	..	1	..
Bushing - drain plug	428891	..	..	1	1	1	1	..	..	1	1	1	1
Drain plug - with 1269965 - 1269963 - 1269961 assys.	1122359	1	1	1	1	1	1	..	..	1	1	1	1
Drain plug - with 1273903 assy.	113176	..	..	1	1	1	1	..	..	1	1	1	1
Drain plug - with 1273899 assy.	1090343	..	..	..	1	..	1	..	..	..	..	..	..
Drain plug - with 1273884 - 1273885 assys	113175	..	..	..	1	..	1	..	..	1	..	1	..
Washer - flange - outlet pipe	543530	..	..	..	*	..	*	..	..	*	..	*	..
Drain plug	127951	..	..	..	..	..	..	1	1	..	..	..	..
Elbow - outlet pipe	1263882	..	..	..	..	..	..	1	1	..	..	..	..

Indicates amount used as required.

† Indicates parts included in packages.

**GROUP 14 - FUEL**

PART NAME	PART NO.	MODEL CODES										
		DG AND FO					DH AND FP					
		1	2	3	4	5	6	1	2	4	5	6
<b>GROUP 14-I FUEL TANK (CONT'D)</b>												
<b>Fuel Tank Filler Tube</b>												
Assy. - panel - upper	1269976	1	..	..	..	..	..	..	..	..	..	..
Assy. - panel	1500763	..	..	..	..	..	..	1	..	..	..	..
Tube	1263871	1	1	1	1	1	1	1	1	1	1	1
Tube - with 25 imp. gal. tank	913754	..	..	..	1	..	1	..	..	..	..	..
Hose - 3 ft. length	780182	*	*	*	*	*	*	*	*	*	*	*
Clamp	870469	2	2	2	2	2	2	2	2	2	2	2
<b>Fuel Tank Filler Cap</b>												
Assy. -	547645	1	1	1	1	1	1	1	1	1	1	1
Gasket	556514	1	1	1	1	1	1	1	1	1	1	1
Assy. - lock and key type	1117771	1	1	1	1	1	1	1	1	1	1	1
<b>Fuel Tank Heat Shield - School Bus</b>												
Heat shield	1190594	..	..	..	1	..	1	..	..	..	..	..
Bolt - to frame	123461	..	..	..	3	..	3	..	..	..	..	..
Nut	120367	..	..	..	3	..	3	..	..	..	..	..
Plainwasher	120383	..	..	..	3	..	3	..	..	..	..	..
Lockwasher	120380	..	..	..	3	..	3	..	..	..	..	..
<b>Fuel Tank Bracket</b>												
Bracket	1269979	1	..	..	..	..	..	..	..	..	..	..
Bracket - 116" W.B.	589571	..	1	..	..	..	..	..	..	..	..	..
Bracket - 126" W.B.	1269979	..	1	..	..	..	..	..	..	..	..	..
Bracket - front - note 3	1195629	..	..	1	1	1	1	..	..	..	..	..
Bracket - front - note 4	1394321	..	..	1	1	1	1	..	..	1	1	1
Bracket - rear - note 3	1195630	..	..	1	1	1	..	..	..	..	..	..
Bracket - rear - note 4	1394322	..	..	1	1	1	..	..	..	1	1	..
Bracket - rear - 128" W.B. note 3	1195630	..	..	..	..	..	1	..	..	..	..	..
Bracket - rear - 128" W.B. note 4	1394322	..	..	..	..	..	1	..	..	..	1	1
Bracket - rear - except 128" W.B. note 4	1394320	..	..	..	..	..	1	..	..	..	1	1
Bolt - short - tank to brkt.	120647	2	2	2	2	2	2	..	..	2	2	2
Bolt - long - tank to brkt. - note 3	120640	2	2	2	2	2	2	..	..	..	..	..
Bolt - long - tank to brkt. - note 4	120678	2	2	2	2	2	2	..	..	2	2	2
Nut	120369	4	4	4	4	4	4	..	..	4	4	4
Plainwasher	120394	4	4	4	4	4	4	..	..	4	4	4
Lockwasher	120382	4	4	4	4	4	4	..	..	4	4	4
Spring - note 3	590032	2	2	2	2	2	2	..	..	..	..	..
Spring - note 4	1394326	2	2	2	2	2	2	2	2	2	2	2
Spacer - note 3	590034	2	2	2	2	2	2	..	..	..	..	..
Spacer - note 4	871918	2	2	2	2	2	2	2	2	2	2	2
Bolt - to frame	120647	*	*	*	*	*	..	*	*	*	*	..
Bolt - to frame	121615	..	..	..	..	..	*	..	..	..	*	*
Nut	120369	*	*	*	*	*	*	*	*	*	*	*
Lockwasher	120382	*	*	*	*	*	*	*	*	*	*	*
Bolt - front - to frame X-member	120678	..	..	..	..	..	..	*	*	..	..	..
Bolt - rear - to frame X-member	123520	..	..	..	..	..	..	*	*	..	..	..
Nut	120369	..	..	..	..	..	..	*	*	..	..	..
Lockwasher	120382	..	..	..	..	..	..	*	*	..	..	..
Plainwasher	120394	..	..	..	..	..	..	*	*	..	..	..
<b>Fuel Tank Support - Outside Mounted</b>												
Support	557654	..	..	2	2	2	2	..	..	2	2	2
Support - dual mounted tanks	1260550	..	..	..	2	..	2	..	..	2	..	2
Lining	554727	..	..	2	2	2	2	..	..	2	2	2
Bolt	121661	..	..	*	*	*	*	..	..	*	*	*
Nut	120368	..	..	*	*	*	*	..	..	*	*	*
Lockwasher	120214	..	..	*	*	*	*	..	..	*	*	*
Extension - 25 imp. gals.	1190626	..	..	..	4	..	4	..	..	..	..	..
Rivet	104282	..	..	..	2	..	2	..	..	..	..	..
Reinforcement - 25. imp. gals.	1190627	..	..	..	2	..	2	..	..	..	..	..
Rivet	103487	..	..	..	4	..	4	..	..	..	..	..
Bolt	121615	..	..	..	7	..	7	..	..	..	..	..
Nut	120369	..	..	..	4	..	4	..	..	..	..	..
Lockwasher	120382	..	..	..	4	..	4	..	..	..	..	..
<b>Fuel Tank Strap - Outside Mounted</b>												
Assy. - 15 imp. gals.	589018	..	..	2	2	2	2	..	..	2	2	2

Indicates amount used as required.

† Indicates parts included in packages.

PART NAME	PART NO.	MODEL CODES											
		DG AND FO					DH AND FP						
		1	2	3	4	5	6	1	2	4	5	6	7
<b>GROUP 14-I FUEL TANK (CONT'D)</b>													
<b>Fuel Tank Strap - Outside Mounted (cont'd)</b>													
Bolt - - - - -	123572	..	..	2	2	2	2	..	..	2	2	2	2
Nut - - - - -	120370	..	..	2	2	2	2	..	..	2	2	2	2
Lockwasher - - - - -	120383	..	..	2	2	2	2	..	..	2	2	2	2
Assy. - 25 imp. gals. - - - - -	1267146	..	..	..	2	..	2	..	..	..	..	..	..
Nut - strap end - - - - -	120369	..	..	..	8	..	8	..	..	..	..	..	..
Lockwasher - - - - -	120382	..	..	..	4	..	4	..	..	..	..	..	..
Bolt - to frame - - - - -	120919	..	..	..	2	..	2	..	..	..	..	..	..
Nut - - - - -	120370	..	..	..	2	..	2	..	..	..	..	..	..
Lockwasher - - - - -	120383	..	..	..	2	..	2	..	..	..	..	..	..
Assy. - dual mounted tanks - - - - -	588627	..	..	..	4	..	4	..	..	4	..	4	..
Bolt - - - - -	123841	..	..	..	4	..	4	..	..	4	..	4	..
Nut - - - - -	120370	..	..	..	4	..	4	..	..	4	..	4	..
Lockwasher - - - - -	120383	..	..	..	4	..	4	..	..	4	..	4	..
Nut - strap end - - - - -	120369	..	..	..	4	..	4	..	..	4	..	4	..
Lockwasher - - - - -	120382	..	..	..	4	..	4	..	..	4	..	4	..
<b>Fuel Tank Shut off Tee - Outside Mounted</b>													
Tee - 15 imp. gal. tank - - - - -	924969	..	..	1	1	1	1	..	..	1	1	1	1
Nipple - - - - -	137422	..	..	1	1	1	1	..	..	1	1	1	1
Bracket - mounting - - - - -	1273790	..	..	1	1	1	1	..	..	1	1	1	1
Bolt - - - - -	123461	..	..	4	4	4	4	..	..	4	4	4	4
Nut - - - - -	120367	..	..	4	4	4	4	..	..	4	4	4	4
Lockwasher - - - - -	120380	..	..	4	4	4	4	..	..	4	4	4	4
Tee - dual mounted tanks - - - - -	584659	..	..	..	1	..	1	..	..	1	..	1	..
Nipple - - - - -	137406	..	..	..	1	..	1	..	..	1	..	1	..
Bracket - mounting - - - - -	1268859	..	..	..	1	..	1	..	..	1	..	1	..
Bolt - - - - -	123499	..	..	..	2	..	2	..	..	2	..	2	..
Nut - - - - -	120368	..	..	..	2	..	2	..	..	2	..	2	..
Lockwasher - - - - -	120214	..	..	..	2	..	2	..	..	2	..	2	..
<b>GROUP 14-J FUEL TUBES</b>													
<b>Auxiliary Fuel Tank to Shut off Tee Tube</b>													
Assy. - 60" long with 15 imp. gal. outside mounted tank - - - - -	861845	..	..	1	1	1	1	..	..	1	1	1	1
Assy. - 11½" long with 25 imp. gal. outside mounted tank - - - - -	861813	..	..	..	1	..	1	..	..	..	..	..	..
Nut - - - - -	137398	..	..	2	2	2	2	..	..	2	2	2	2
<b>Main Fuel Tank to Shut off Tee Tube</b>													
Assy. - 14½" long with 15 imp. gal. outside mounted tank - - - - -	861819	..	..	1	1	1	1	..	..	1	1	1	1
Assy. - 72" long with 25 imp. gal. outside mounted tank - - - - -	861939	..	..	..	1	..	1	..	..	..	..	..	..
Nut - - - - -	137398	..	..	2	2	2	2	..	..	2	2	2	2
<b>Fuel Tank Shut off Tee To Fuel Pump Tube</b>													
Assy. - 120" long - with 15 imp. gal. outside mounted tank - - - - -	861854	..	..	1	1	1	1	..	..	1	1	1	1
Assy. - 96" long - with 25 imp. gal. outside mounted tank - - - - -	861943	..	..	..	1	..	1	..	..	..	..	..	..
Nut - - - - -	137398	..	..	2	2	2	2	..	..	2	2	2	2
<b>Fuel Tank to Fuel Pump Tube</b>													
Assy. - 104" long - - - - -	861852	1	1	..	..	..	..	..	..	..	..	..	..
Assy. - 130" long - - - - -	861855	..	..	..	..	..	..	1	1	..	..	..	..
Assy. - 112" long - - - - -	861853	..	..	1	1	1	1	..	..	1	1	1	1
Assy. - 90" long - 25 imp. gal. tank - - - - -	861942	..	..	..	1	..	1	..	..	..	..	..	..
Nut - - - - -	137398	2	2	2	2	2	2	2	2	2	2	2	2
Clip - - - - -	1263079	..	..	*	*	*	*	..	..	*	*	*	*
Clip - 861942 tube assy. - - - - -	581523	..	..	..	*	*	*	..	..	..	..	..	..
Bolt - - - - -	123461	..	..	*	*	*	*	..	..	*	*	*	*
Nut - - - - -	120367	..	..	*	*	*	*	..	..	*	*	*	*
Lockwasher - - - - -	120380	..	..	*	*	*	*	..	..	*	*	*	*

Indicates amount used as required.

† Indicates parts included in package

GROUP 14 - FUEL

PART NAME	PART NO.	MODEL CODES											
		DG AND FO					DH AND FP						
		1	2	3	4	5	6	1	2	4	5	6	7
<b>GROUP 14-J FUEL TUBES (CONT'D)</b>													
<b>Fuel Tank to Fuel Pump Tube Hose</b>													
Assy. - - - - -	1057838	1	1	..	..	..	..	1	1	..	..	..	..
Assy. - 25 imp. gal. tank - - - - -	1057838	..	..	..	2	..	2	..	..	..	..	..	..
<b>Fuel Pump to Carburetor Tube</b>													
Assy. - 21" long - - - - -	861829	1	1	1	1	..	..	1	1	1	..	..	..
Assy. - 26" long - - - - -	861833	..	..	..	..	1	1	..	..	..	1	1	..
Nut - - - - -	137398	2	2	2	2	2	2	2	2	2	2	2	..
Assy. - 28" long - with 1312586 pump - - - - -	861834	1	..	..	..	..	..	1	..	..	..	..	..
Nut - - - - -	137396	2	..	..	..	..	..	2	..	..	..	..	..
Connector - - - - -	956701	1	..	..	..	..	..	1	..	..	..	..	..
Elbow - outlet - - - - -	137422	1	..	..	..	..	..	1	..	..	..	..	..
Elbow - inlet - - - - -	116341	1	..	..	..	..	..	1	..	..	..	..	..
<b>Fuel Pump to Manifold Tube</b>													
Assy. - 28" long with 1312586 fuel pump - - - - -	861612	1	..	..	..	..	..	1	..	..	..	..	..
Nut - - - - -	137397	2	..	..	..	..	..	2	..	..	..	..	..
Nipple - pump end - - - - -	137405	1	..	..	..	..	..	1	..	..	..	..	..
<b>Fuel Pump to W/S Wiper Tube</b>													
Assy. - 30" long - with 1312586 fuel pump - - - - -	861577	1	..	..	..	..	..	1	..	..	..	..	..
Nut - - - - -	137397	2	..	..	..	..	..	2	..	..	..	..	..
Clip - - - - -	386161	1	..	..	..	..	..	1	..	..	..	..	..
Elbow - - - - -	137421	1	..	..	..	..	..	1	..	..	..	..	..
<b>Fuel Tubes - Dual Mounted Tanks</b>													
Assy. - 11½" long - right - fuel tank to shut off tee - - - - -	861813	..	..	..	1	..	1	..	..	1	..	1	..
Assy. - 52" long - left - fuel tank to shut off tee - - - - -	861935	..	..	..	1	..	1	..	..	1	..	1	..
Assy. - 96" long - fuel tank shut off tee to fuel pump - - - - -	861943	..	..	..	1	..	1	..	..	1	..	1	..
Assy. - 17½" long - aux. fuel pump to shut off tee - - - - -	861825	..	..	..	1	..	1	..	..	1	..	1	..
Nut - - - - -	137398	..	..	..	2	..	2	..	..	2	..	2	..
Clip - - - - -	869298	..	..	..	1	..	1	..	..	1	..	1	..
Bolt - - - - -	123461	..	..	..	1	..	1	..	..	1	..	1	..
Nut - - - - -	120367	..	..	..	1	..	1	..	..	1	..	1	..
Lockwasher - - - - -	120380	..	..	..	1	..	1	..	..	1	..	1	..

NOTES:

Indicates amount used as required.

† Indicates parts included in packages.

GROUP 15 - HOOD

15-1

PART NAME	PART NO.	MODEL CODES										
		DG AND FO					DH AND FP					
		1	2	3	4	5	6	1	2	4	5	6
<b>GROUP 15-A HOOD</b>												
<b>Hood Side Panel</b>												
Assy - right-	1279717	1	1	1	1	1	1	1	1	1	1	1
Assy - left -	1279718	1	1	1	1	1	1	1	1	1	1	1
Name plate - Dodge	901066	2	2	2	2	2	2	2	2	2	2	2
Name plate - Fargo - right	1197246	1	1	1	1	1	1	1	1	1	1	1
Name plate - Fargo - left	1197247	1	1	1	1	1	1	1	1	1	1	1
Name plate - DeSoto-	914434	1	1	1	1	1	1	1	1	1	1	1
Name plate - fluid drive with red letters	1280276	2	2	..	..	..	..	..	..	..	..	..
Name plate-fluid drive-with chrome letters	1296370	2	2	..	..	..	..	..	..	..	..	..
Hinge - side panel	1097516	2	2	2	2	2	2	2	2	2	2	2
Nut -	120361	6	6	6	6	6	6	6	6	6	6	6
Lockwasher-	120217	6	6	6	6	6	6	6	6	6	6	6
Bumper -	995066	2	2	2	2	2	2	2	2	2	2	2
<b>Hood Center Panel</b>												
Assy-	1279708	1	1	1	1	1	1	1	1	1	1	1
Screw assy - to cowl	1278272	2	2	2	2	2	2	2	2	2	2	2
Ornament package - Dodge	1107055	1	1	1	1	1	1	1	1	1	1	1
Ornament package - Fargo	1107056	1	1	1	1	1	1	1	1	1	1	1
Ornament - Desoto-	1197087	1	1	1	1	1	1	1	1	1	1	1
Screw -	121797	3	3	3	3	3	3	3	3	3	3	3
Lockwasher-	1097771	3	3	3	3	3	3	3	3	3	3	3
<b>Hood Prop</b>												
Assy - right-	1279179	1	1	1	1	1	1	1	1	1	1	1
Assy - left -	1279180	1	1	1	1	1	1	1	1	1	1	1
Screw-	1279186	4	4	4	4	4	4	4	4	4	4	4
Nut -	120368	2	2	2	2	2	2	2	2	2	2	2
Lockwasher-	120214	4	4	4	4	4	4	4	4	4	4	4
Plainwasher	120395	2	2	2	2	2	2	2	2	2	2	2
Springwasher-	950883	4	4	4	4	4	4	4	4	4	4	4
Rivet - arm-	103487	2	2	2	2	2	2	2	2	2	2	2
Springwasher - arm	764211	2	2	2	2	2	2	2	2	2	2	2
<b>Hood Lock</b>												
Assy - right-	1278892	1	1	1	1	1	1	1	1	1	1	1
Assy - left -	1278893	1	1	1	1	1	1	1	1	1	1	1
Screw-	120221	4	4	4	4	4	4	4	4	4	4	4
Nut -	120361	4	4	4	4	4	4	..	..	..	..	..
Lockwasher-	178378	4	4	4	4	4	4	..	..	..	..	..
J/Nut	1397810	..	..	..	..	..	..	4	4	4	4	4
Handle -	1197060	2	2	2	2	2	2	2	2	2	2	2
Nut -	120377	2	2	2	2	2	2	2	2	2	2	2
Lockwasher-	120382	2	2	2	2	2	2	2	2	2	2	2
Rivet-	136135	4	4	4	4	4	4	4	4	4	4	4
Hinge - lock rod - front	1278896	2	2	2	2	2	2	2	2	2	2	2
Hinge - lock rod - rear-	1197573	2	2	2	2	2	2	2	2	2	2	2
Rivet	136135	8	8	8	8	8	8	8	8	8	8	8
Catch - Hood lock-	1276580	4	4	4	4	4	4	4	4	4	4	4
Screw -	120741	8	8	8	8	8	8	8	8	8	8	8
Nut -	120368	8	8	8	8	8	8	8	8	8	8	8
Plainwasher	120387	8	8	8	8	8	8	8	8	8	3	8
Lockwasher-	1097771	8	8	8	8	8	8	8	8	8	8	8

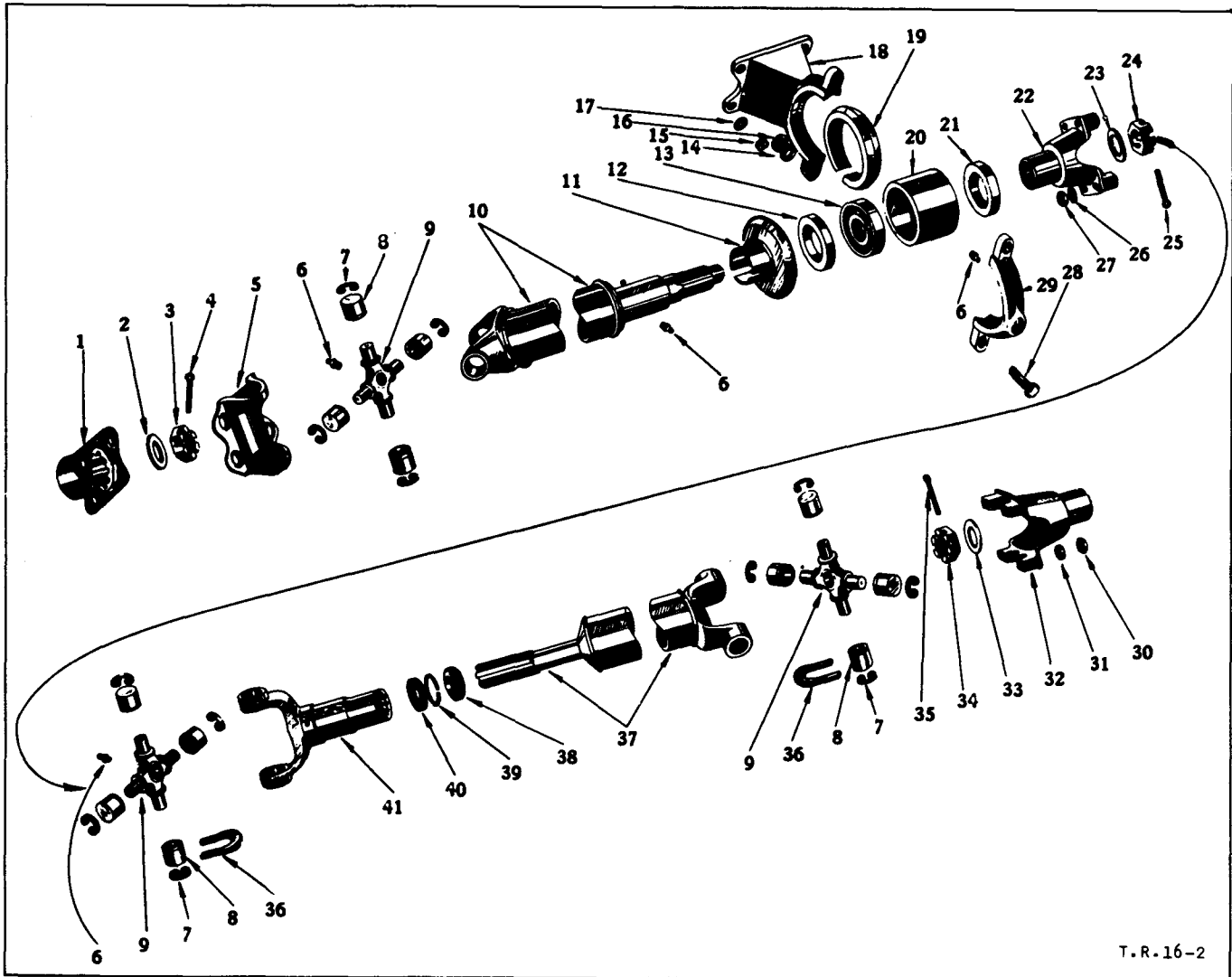
Indicates amount used as required.

† Indicates parts included in packages.



PROPELLER SHAFT

Plate 36



T.R. 16-2

Ref. No.	Part Name	Group	Ref. No.	Part Name	Group
1	Transmission mainshaft flange.....	16-E	21	Centre bearing oil seal.....	16-D
2	Transmission mainshaft nut washer.....	16-E	22	Centre bearing flange.....	16-E
3	Transmission mainshaft nut.....	16-E	23	Front propeller shaft nut washer.....	16-E
4	Transmission mainshaft nut cotter pin.....	16-E	24	Front propeller shaft nut.....	16-E
5	Propeller shaft companion flange or yoke....	16-E	25	Front propeller shaft nut cotter pin.....	16-E
6	Grease nipple.....	16-C	26	Centre bearing flange 'U' bolt lockwasher..	16-F
7	Universal joint cross bushing retainer.....	16-D	27	Centre bearing flange 'U' bolt nut.....	16-F
8	Universal joint cross bushing & roller assembly.....	16-C	28	Centre bearing bracket cap bolt.....	16-D
9	Universal joint cross & seal assy.....	16-C	29	Centre bearing bracket cap.....	16-D
10	Front propeller shaft assembly.....	16-A	30	Drive pinion flange 'U' bolt nut.....	16-F
11	Centre bearing mud slinger.....	16-D	31	Drive pinion flange 'U' bolt lockwasher....	16-F
12	Centre bearing oil seal.....	16-D	32	Drive pinion flange.....	16-E
13	Centre bearing assembly.....	16-D	33	Drive pinion nut washer.....	16-E
14	Centre bearing cap bolt lockwasher.....	16-D	34	Drive pinion nut.....	16-E
15	Centre bearing bracket bolt nut.....	16-D	35	Drive pinion nut cotter pin.....	16-E
16	Centre bearing cap bolt nut.....	16-D	36	Drive pinion flange 'U' bolt.....	16-F
17	Centre bearing bracket bolt lockwasher.....	16-D	37	Rear propeller shaft.....	16-A
18	Centre bearing bracket.....	16-D	38	Sliding yoke cap.....	16-B
19	Centre bearing insulator.....	16-D	39	Sliding yoke dust washer retainer.....	16-B
20	Centre bearing housing.....	16-D	40	Sliding yoke dust washer.....	16-B
			41	Sliding yoke assembly - includes plug.....	16-B

**GROUP 16 - PROPELLER SHAFT**

**NOTES**

- Note:** Parts referred to Note 1 were used up to and including: Parts referred to Note 2 were used after the following serial numbers:  
 Less Fluid Drive - DGI-90095915 Exceptions - 90096489 to 90096650 Inc.  
 FOI-90515695 Exceptions - 90516161 to 90516486 Inc.  
 With Fluid Drive - DGI-90096639 - FOI-90516467:
- Note:** Parts referred to Note 3 were used up to and including: Parts referred to Note 4 were used after the following serial Nos:  
 With 4 speed trans. DG5-93252045 - FO5-93751716.  
 With 5 speed trans. DG5-93252020 - FO5-93751697.
- Note:** Note "Y" refers to parts used on timken axle with round type housing Note "Z" refers to parts used on timken axle with square type housing.

PART NAME	PART NO.	MODEL CODES										
		DG AND FO					DH AND FP					
		1	2	3	4	5	6	1	2	4	5	6
<b>GROUP 16-A PROPELLER SHAFT</b>												
<b>Propeller Shaft Tube - Less Fluid Drive</b>												
Assy - Note 1 - - - - -	1195121	1	..	..	..	..	..	..	..	..	..	..
Assy - Note 2 - - - - -	1274997	1	..	..	..	..	..	1	..	..	..	..
Assy - 116" W.B. 3 speed trans. - - - - -	1195124	..	1	..	..	..	..	..	..	..	..	..
Assy - 126" W.B. 3 speed trans. - - - - -	1273579	..	1	..	..	..	..	..	..	..	..	..
Assy - 3 speed trans. - - - - -	1394357	..	..	..	..	..	..	..	1	..	..	..
Assy - 116" W.B. 4 speed trans. - - - - -	597534	..	1	..	..	..	..	..	..	..	..	..
Assy - 126" W.B. 4 speed trans. - - - - -	1273581	..	1	..	..	..	..	..	..	..	..	..
Assy - 4 speed trans. - - - - -	1394363	..	..	..	..	..	..	..	1	..	..	..
<b>Propeller Shaft Tube - With Fluid Drive</b>												
Assy - Note 1 - - - - -	1268892	1	..	..	..	..	..	..	..	..	..	..
Assy - Note 2 - - - - -	1390693	1	..	..	..	..	..	..	..	..	..	..
Assy - 116" W.B. 3 speed trans. - - - - -	1191491	..	1	..	..	..	..	..	..	..	..	..
Assy - 126" W.B. 3 speed trans. - - - - -	1274929	..	1	..	..	..	..	..	..	..	..	..
Assy - 116" W.B. 4 speed trans. - - - - -	1268907	..	1	..	..	..	..	..	..	..	..	..
Assy - 126" W.B. 4 speed trans. - - - - -	1274931	..	1	..	..	..	..	..	..	..	..	..
<b>Front Propeller Shaft Tube</b>												
Assy - - - - -	1195347	..	..	1	..	..	..	..	..	..	..	..
Assy - 4 speed trans. - with drain plug at rear of case- - - - -	1261628	..	..	..	1	1	..	..	..	..	..	..
Assy - 4 speed trans. - with drain plug on right side of case- - - - -	1188710	..	..	..	1	1	..	..	..	..	..	..
Assy - 4 speed trans. - - - - -	1501210	..	..	..	..	..	..	..	1	..	..	..
Assy - 5 speed trans. - - - - -	1266755	..	..	..	1	..	..	..	..	..	..	..
Assy - 5 speed trans. - - - - -	1501200	..	..	..	..	..	..	..	1	..	..	..
Assy - 4 speed trans. Note 3- - - - -	1188710	..	..	..	..	1	..	..	..	..	..	..
Assy - 4 speed trans. Note 4- - - - -	1390712	..	..	..	..	1	..	..	..	..	..	..
Assy - 4 speed trans. - - - - -	1501166	..	..	..	..	..	..	..	..	1	..	..
Assy - 5 speed trans. Note 3- - - - -	1266755	..	..	..	..	1	..	..	..	..	..	..
Assy - 5 speed trans. Note 4- - - - -	1392139	..	..	..	..	1	..	..	..	..	..	..
Assy - 5 speed trans. - - - - -	1501203	..	..	..	..	..	..	..	..	1	..	..
Assy - 128" W.B. - - - - -	597037	..	..	..	..	..	1	..	..	..	..	..
Assy - 140" - 152" - 170" - 212" W.B. - - - - -	1265877	..	..	..	..	..	1	..	..	..	..	..
Assy - - - - -	1501169	..	..	..	..	..	..	..	..	..	1	..
Assy - - - - -	1502937	..	..	..	..	..	..	..	..	..	..	1
<b>Propeller Shaft Tube - Single - 128" W.B.</b>												
Assy - single speed axle- - - - -	1393845	..	..	..	..	..	..	..	..	..	1	..
Assy - 2 speed axle - - - - -	1393849	..	..	..	..	..	..	..	..	..	1	..
Assy - single speed axle- - - - -	1502972	..	..	..	..	..	..	..	..	..	..	1
Assy - 2 speed axle - - - - -	1502939	..	..	..	..	..	..	..	..	..	..	1

Indicates amount used as required.

† Indicates parts included in packages.

**GROUP 16 - PROPELLER SHAFT**

PART NAME	PART NO.	MODEL CODES										
		DG AND FO					DH AND FP					
		1	2	3	4	5	6	1	2	4	5	6
<b>GROUP 16-A PROPELLER SHAFT - (Cont'd)</b>												
<b>Center Propeller Shaft Tube</b>												
Assy - 192" W.B. - - - - -	1272729	..	..	..	1	..	..	..	..	..	..	..
Assy - 212" W.B. - - - - -	914725	..	..	..	..	..	1	..	..	..	..	..
<b>Rear Propeller Shaft Tube</b>												
Assy - 128" W.B. - single speed axle- - - -	1195344	..	..	1	1	..	..	..	..	..	..	..
Assy - 152" - 192" W.B. single speed axle -	914692	..	..	1	1	..	..	..	1	..	..	..
Assy - 170" W.B. single speed axle- - - -	1190116	..	..	..	1	..	..	..	..	..	..	..
Assy - 128" W.B. 2 speed axle - - - - -	1264627	..	..	..	1	..	..	..	..	..	..	..
Assy - 152" - 192" W.B. 2 speed axle- - - -	1264628	..	..	..	1	..	..	..	..	..	..	..
Assy - 170" W.B. 2 speed axle - - - - -	1264632	..	..	..	1	..	..	..	..	..	..	..
Assy - 128" W.B. single speed axle - Note 3	1195344	..	..	..	1	..	..	..	..	..	..	..
Assy - 128" W.B. single speed axle - Note 4	1390717	..	..	..	1	..	..	..	..	..	..	..
Assy - 152" W.B. single speed axle - Note 3	914692	..	..	..	1	..	..	..	..	..	..	..
Assy - 152" W.B. single speed axle - Note 4	1390718	..	..	..	1	..	..	..	..	..	..	..
Assy - 170" W.B. single speed axle - Note 3	1190116	..	..	..	1	..	..	..	..	1	..	..
Assy - 170" W.B. single speed axle - Note 4	1390719	..	..	..	1	..	..	..	..	1	..	..
Assy - 128" W.B. 2 speed axle - Note 3- - -	1264627	..	..	..	1	..	..	..	..	..	..	..
Assy - 128" W.B. 2 speed axle - Note 4- - -	1390720	..	..	..	1	..	..	..	..	..	..	..
Assy - 152" W.B. 2 speed axle - Note 3- - -	1264628	..	..	..	1	..	..	..	..	..	..	..
Assy - 152" W.B. 2 speed axle - Note 4- - -	914731	..	..	..	1	..	..	..	..	1	..	..
Assy - 170" W.B. 2 speed axle - Note 3- - -	1264632	..	..	..	1	..	..	..	..	..	..	..
Assy - 170" W.B. 2 speed axle - Note 4- - -	914732	..	..	..	1	..	..	..	..	1	..	..
Assy - 128" W.B. single speed axle- - - -	1196259	..	..	..	..	1	..	..	..	..	..	..
Assy - 140" W.B. single speed axle- - - -	914730	..	..	..	..	1	..	..	..	..	..	..
Assy - 152" W.B. single speed axle- - - -	914731	..	..	..	..	1	..	..	..	..	1	..
Assy - 170" W.B. single speed axle- - - -	914732	..	..	..	..	1	..	..	..	..	1	..
Assy - 212" W.B. single speed axle- - - -	914733	..	..	..	..	1	..	..	..	..	..	..
Assy - 128" W.B. Note "Y" - - - - -	1264644	..	..	..	..	1	..	..	..	..	..	..
Assy - 128" W.B. Note "Z" - - - - -	1196277	..	..	..	..	1	..	..	..	..	..	..
Assy - 140" W.B. Note "Y" 4 - - - - -	1264645	..	..	..	..	1	..	..	..	..	..	..
Assy - 140" W.B. Note "Z" - - - - -	1196278	..	..	..	..	1	..	..	..	..	..	..
Assy - 152" W.B. Note "Y" - - - - -	1264646	..	..	..	..	1	..	..	..	..	1	..
Assy - 152" W.B. Note "Z" - - - - -	1196279	..	..	..	..	1	..	..	..	..	..	..
Assy - 170" W.B. Note "Y" - - - - -	1264647	..	..	..	..	1	..	..	..	..	1	..
Assy - 170" W.B. Note "Z" - - - - -	1196280	..	..	..	..	1	..	..	..	..	..	..
Assy - 212" W.B. Note "Y" - - - - -	1264648	..	..	..	..	1	..	..	..	..	..	..
Assy - 212" W.B. Note "Z" - - - - -	1196281	..	..	..	..	1	..	..	..	..	..	..
Assy - 152" W.B. single speed axle- - - -	1390718	..	..	..	..	..	..	..	..	..	..	1
Assy - 170" W.B. single speed axle- - - -	1390719	..	..	..	..	..	..	..	..	..	..	1
Assy - 152" W.B. 2 speed axle - - - - -	1196279	..	..	..	..	..	..	..	..	..	..	1
Assy - 170" W.B. 2 speed axle - - - - -	1196280	..	..	..	..	..	..	..	..	..	..	1
<b>Propeller Shaft Guard-Rod Type-School Bus</b>												
Guard - front - - - - -	1264434	..	..	..	1	..	1	..	..	..	..	..
Guard - intermediate - short - 152" W.B.- -	1264434	..	..	..	1	..	..	..	..	..	..	..
Guard - intermediate - long - 152" W.B. - -	1264436	..	..	..	1	..	..	..	..	..	..	..
Guard - intermediate - 192" - 212" W.B. - -	1264434	..	..	..	4	..	4	..	..	..	..	..
Guard - rear - - - - -	1264436	..	..	..	1	..	1	..	..	..	..	..
Support - 4 on 152" W.B. - - - - -	1264437	..	..	..	5	..	4	..	..	..	..	..
Support - inter. guard - - - - -	1264808	..	..	..	1	..	2	..	..	..	..	..
Bolt- - - - -	121615	..	..	..	*	..	*	..	..	..	..	..
Bolt- - - - -	120677	..	..	..	*	..	*	..	..	..	..	..
Nut - - - - -	120369	..	..	..	*	..	*	..	..	..	..	..
Lockwasher- - - - -	120382	..	..	..	*	..	*	..	..	..	..	..
Nut - guard- - - - -	121358	..	..	..	*	..	*	..	..	..	..	..
Lockwasher- - - - -	121574	..	..	..	*	..	*	..	..	..	..	..
Check nut- - - - -	121358	..	..	..	*	..	*	..	..	..	..	..
<b>GROUP 16-B SLIDING YOKE</b>												
<b>Sliding Yoke</b>												
Assy - Note 1 - - - - -	1122693	1	..	..	..	..	..	..	..	..	..	..

Indicates amount used as required.

† Indicates parts included in packages.

**GROUP 16 - PROPELLER SHAFT**

PART NAME	PART NO.	MODEL CODES										
		DG AND FO					DH AND FP					
		1	2	3	4	5	6	1	2	4	5	6
<b>GROUP 16-B SLIDING YOKE (Cont'd)</b>												
<b>Sliding Yoke (Cont'd)</b>												
Assy - Note 2- - - - -	1270192	1	..	..	..	..	..	..	..	..	..	..
Assy - - - - -	914986	..	1	1	1	..	..	..	1	1	..	..
Assy - Note 3- - - - -	914986	..	..	..	..	1	..	..	..	..	..	..
Assy - Note 4- - - - -	582632	..	..	..	..	1	..	..	..	1	..	..
Assy - - - - -	582632	..	..	..	..	..	1	..	..	..	1	1
Cap - oil seal - Note 1 - - - - -	627250	1	..	..	..	..	..	..	..	..	..	..
Cap - oil seal - Note 2 - - - - -	1122677	1	..	..	..	..	..	1	..	..	..	..
Cap - dust washer - - - - -	582526	..	1	1	1	1	1	..	1	1	1	1
Oil seal - Note 1 - - - - -	627248	1	..	..	..	..	..	..	..	..	..	..
Oil seal - Note 2 - - - - -	604596	1	..	..	..	..	..	1	..	..	..	..
Dust seal - - - - -	582524	..	1	1	1	1	1	1	1	1	1	1
Washer - Note 1 - - - - -	627249	1	..	..	..	..	..	..	..	..	..	..
Washer- - - - -	582525	..	1	1	1	1	1	..	1	1	1	1
Plug- - - - -	582634	..	1	1	1	1	1	..	1	1	1	1
Grease nipple - - - - -	145433	..	1	1	1	1	1	..	1	1	1	1
Grease nipple - Note 1- - - - -	145433	1	..	..	..	..	..	..	..	..	..	..
Grease nipple - Note 2- - - - -	110347	1	..	..	..	..	..	1	..	..	..	..
<b>GROUP 16-C UNIVERSAL JOINT PACKAGE</b>												
<b>Universal Joint Package</b>												
Package - Note 1 - - - - -	1150809	1	..	..	..	..	..	..	..	..	..	..
Package - Note 2 - - - - -	1150810	1	..	..	..	..	..	1	..	..	..	..
Package - 4 used on 192" W.B.- - - - -	1057273	..	2	3	3	..	..	2	3	3	..	..
Package - Note 3 - - - - -	1057273	..	..	..	..	3	..	..	..	..	..	..
Package - Note 4 - - - - -	1106125	..	..	..	..	3	..	..	..	3	..	..
Package - 4 used on 212" W.B.- - - - -	1106125	..	..	..	..	..	3	..	..	..	3	3
Package - 128" W.B. - single prop shaft- - - - -	1106125	..	..	..	..	..	..	..	..	..	2	2
Dust seal - - - - -	604594	8	..	..	..	..	..	8	..	..	..	..
Dust seal - 16 used on 192" - 212" W.B. - - - - -	920487	..	8	12	12	12	12	..	8	12	12	12
Dust seal - 128" W.B. single prop shaft - - - - -	920487	..	..	..	..	..	..	..	..	..	8	8
Retainer - - - - -	604595	8	..	..	..	..	..	8	..	..	..	..
Retainer - 16 used on 192" - 212" W.B. - - - - -	920491	..	8	12	12	12	12	..	8	12	12	12
Retainer - 128" W.B.-single prop shaft - - - - -	920491	..	..	..	..	..	..	..	..	..	8	8
Bushing & roller - Note 1 - - - - -	†1122698	8	..	..	..	..	..	..	..	..	..	..
Bushing & roller - Note 2 - - - - -	†1122680	8	..	..	..	..	..	8	..	..	..	..
Bushing & roller - 16 used on 192" W.B. - - - - -	† 920488	..	8	12	12	..	..	8	12	12	..	..
Bushing & roller - Note 3 - - - - -	† 920488	..	..	..	..	12	..	..	..	..	..	..
Bushing & roller - Note 4 - - - - -	†1271284	..	..	..	..	12	..	..	..	12	..	..
Bushing & roller - 16 used on 212" W.B. - - - - -	†1271284	..	..	..	..	..	12	..	..	..	12	12
Bushing & roller - 128" W.B. single prop shaft- - - - -	†1271284	..	..	..	..	..	..	..	..	..	8	8
Retainer- - - - -	† 604593	6	..	..	..	..	..	6	..	..	..	..
Retainer - 16 used on 192" - 212" W.B. - - - - -	† 582520	..	6	12	12	12	12	..	6	12	12	12
Retainer - 128" W.B. single prop shaft - - - - -	† 582520	..	..	..	..	..	..	..	..	..	8	8
Grease nipple - 4 used on 192" - 212" W.B. - - - - -	110347	2	2	3	3	3	3	2	2	3	3	3
Relief valve assy - 4 used on 192" W.B. - - - - -	1091161	..	2	3	3	..	..	..	..	..	..	..
Relief valve assy - Note 3 - - - - -	1091161	..	..	..	..	3	..	..	..	..	..	..
<b>GROUP 16-D CENTER BEARINGS</b>												
<b>Center Bearing</b>												
Bearing - 2 used on 192" W. B.- - - - -	619166	..	..	1	1	..	..	..	..	..	..	..
Bearing - Note 3 - - - - -	619166	..	..	..	..	1	..	..	..	..	..	..
Bearing - Note 4 - - - - -	564728	..	..	..	..	1	..	..	..	..	..	..
Bearing - 2 used on 212" W.B.- - - - -	564728	..	..	..	..	..	1	..	..	1	1	1
Housing - 2 used on 192" W.B.- - - - -	562118	..	..	1	1	..	..	..	..	..	..	..
Housing - Note 3 - - - - -	562118	..	..	..	..	1	..	..	..	..	..	..
Housing - Note 4 - - - - -	564721	..	..	..	..	1	..	..	..	..	..	..
Housing - 2 used on 212" W.B.- - - - -	564721	..	..	..	..	..	1	..	..	..	..	..

Indicates amount used as required.

† Indicates parts included in packages.

GROUP 16 - PROPELLER SHAFT

PART NAME	PART NO.	MODEL CODES											
		DG AND FO					DH AND FP						
		1	2	3	4	5	6	1	2	4	5	6	7
<b>GROUP 16-D CENTER BEARING (Cont'd)</b>													
<b>Center Bearing (Cont'd)</b>													
Housing - - - - -	1394084	..	..	..	..	..	..	..	..	1	1	1	1
Insulator - 2 used on 192" - 212" W.B. - -	562119	..	..	1	1	1	1	..	..	..	..	..	..
Insulator- - - - -	1319902	..	..	..	..	..	..	..	..	2	2	2	2
Bracket - - - - -	1262652	..	..	1	1	1	..	..	..	..	..	..	..
Bracket - 128" W.B. - - - - -	1262652	..	..	..	..	..	1	..	..	..	..	..	..
Bracket - front - 192" - 212" W.B.- - - - -	562120	..	..	..	1	..	1	..	..	..	..	..	..
Spacer - 192" W.B. - - - - -	1268691	..	..	..	2	..	..	..	..	..	..	..	..
Bracket - rear - 192" W.B.- - - - -	1262652	..	..	..	1	..	..	..	..	..	..	..	..
Bracket - 140" 152" 170" 212" W.B.- - - - -	590443	..	..	..	..	..	1	..	..	..	..	..	..
Bracket - front - - - - -	1501128	..	..	..	..	..	..	..	..	1	1	1	1
Bracket - rear- - - - -	1501129	..	..	..	..	..	..	..	..	1	1	1	1
Cap - 2 used on 192" - 212" W.B. - - - - -	562117	..	..	1	1	1	1	..	..	..	..	..	..
Bolt- - - - -	124133	..	..	*	*	*	*	..	..	..	..	..	..
Nut - - - - -	120370	..	..	*	*	*	*	..	..	..	..	..	..
Lockwasher- - - - -	120383	..	..	*	*	*	*	..	..	..	..	..	..
Bolt - brkt. to frame-8 used on 212" W.B.- -	123852	..	..	4	4	4	4	..	..	..	..	..	..
Bolt - brkt. to frame-front 192" W.B.- - -	124133	..	..	..	4	..	..	..	..	..	..	..	..
Bolt - brkt. to frame-rear 192" W.B. - - -	123852	..	..	..	4	..	..	..	..	..	..	..	..
Nut - - - - -	120370	..	..	*	*	*	*	..	..	..	..	..	..
Bolt - brkt. to frame- - - - -	123567	..	..	..	..	..	..	..	..	4	4	4	4
Plainwasher - - - - -	120395	..	..	*	*	*	*	..	..	4	4	4	4
Bolt - housing to brkt. - - - - -	124180	..	..	..	..	..	..	..	..	2	2	2	2
Nut - - - - -	126016	..	..	..	..	..	..	..	..	2	2	2	2
Spacer- - - - -	1394086	..	..	..	..	..	..	..	..	2	2	2	2
Oil seal - 4 used on 192" - 212" W.B.- - -	556939	..	..	2	2	2	2	..	..	2	2	2	2
Mud slinger - 2 used on 192" - 212" W.B. -	509977	..	..	1	1	1	1	..	..	..	..	..	..
Mud slinger- - - - -	1394087	..	..	..	..	..	..	..	..	1	1	1	1
Screw - - - - -	123316	..	..	*	*	*	*	..	..	..	..	..	..
Lockwasher- - - - -	121753	..	..	*	*	*	*	..	..	..	..	..	..
Plainwasher - - - - -	120392	..	..	*	*	*	*	..	..	..	..	..	..
Grease nipple- - - - -	145433	..	..	*	*	*	*	..	..	*	*	*	*
<b>GROUP 16-E FLANGES OR YOKES</b>													
<b>Rear Axle End Flange</b>													
Flange- - - - -	1270196	1	..	..	..	..	..	1	..	..	..	..	..
Flange- - - - -	1260889	..	1	..	..	..	..	..	1	..	..	..	..
Flange - single speed axle- - - - -	914695	..	..	1	1	..	..	..	..	1	..	..	..
Flange - 2 speed axle - - - - -	1264803	..	..	..	1	..	..	..	..	1	..	..	..
Flange - single speed axle - Note 3 - - - - -	914595	..	..	..	1	..	..	..	..	..	..	..	..
Flange - single speed axle - Note 4 - - - - -	1390721	..	..	..	..	1	..	..	..	1	..	..	..
Flange - 2 speed axle - Note 3- - - - -	1264803	..	..	..	..	1	..	..	..	..	..	..	..
Flange - 2 speed axle - Note 4- - - - -	1264709	..	..	..	..	1	..	..	..	1	..	..	..
Flange - Single speed axle- - - - -	914735	..	..	..	..	..	1	..	..	..	..	..	..
Flange - Note "Y" - - - - -	1264709	..	..	..	..	..	1	..	..	..	..	1	..
Flange - Note "Z" - - - - -	1196287	..	..	..	..	..	1	..	..	..	..	..	..
Flange- - - - -	1196287	..	..	..	..	..	..	..	..	..	..	..	1
Nut- - - - -	53553	1	..	..	..	..	..	1	..	..	..	..	..
Nut- - - - -	855094	..	1	..	..	..	..	..	1	..	..	..	..
Nut - use with 9 5/8" ring gear- - - - -	926228	..	1	..	..	..	..	..	1	..	..	..	..
Nut - single speed axle- - - - -	595988	..	..	1	1	1	..	..	..	1	1	..	..
Nut - 2 speed axle - - - - -	1192175	..	..	1	1	1	..	..	..	1	1	..	..
Nut - single speed axle- - - - -	571300	..	..	..	..	..	1	..	..	..	..	1	..
Nut - 2 speed axle - - - - -	1192175	..	..	..	..	..	1	..	..	..	..	1	1
Nut - single speed axle- - - - -	568526	..	..	..	..	..	..	..	..	..	..	..	1
Washer- - - - -	308466	..	1	..	..	..	..	1	1	..	..	..	..
Washer - single speed axle- - - - -	571301	..	..	1	1	1	1	..	..	1	1	1	..
Washer - 2 speed axle - - - - -	1390355	..	..	..	1	1	1	..	..	1	1	1	1
Cotter - - - - -	119209	1	1	1	1	1	1	1	1	1	1	1	1
<b>Center Bearing Flange</b>													
Flange- - - - -	914694	..	..	1	1	..	..	..	..	1	..	..	..
Flange - Note 3 - - - - -	914694	..	..	..	..	1	..	..	..	1	..	..	..

Indicates amount used as required.

† Indicates parts included in packages.

**GROUP 16 - PROPELLER SHAFT**

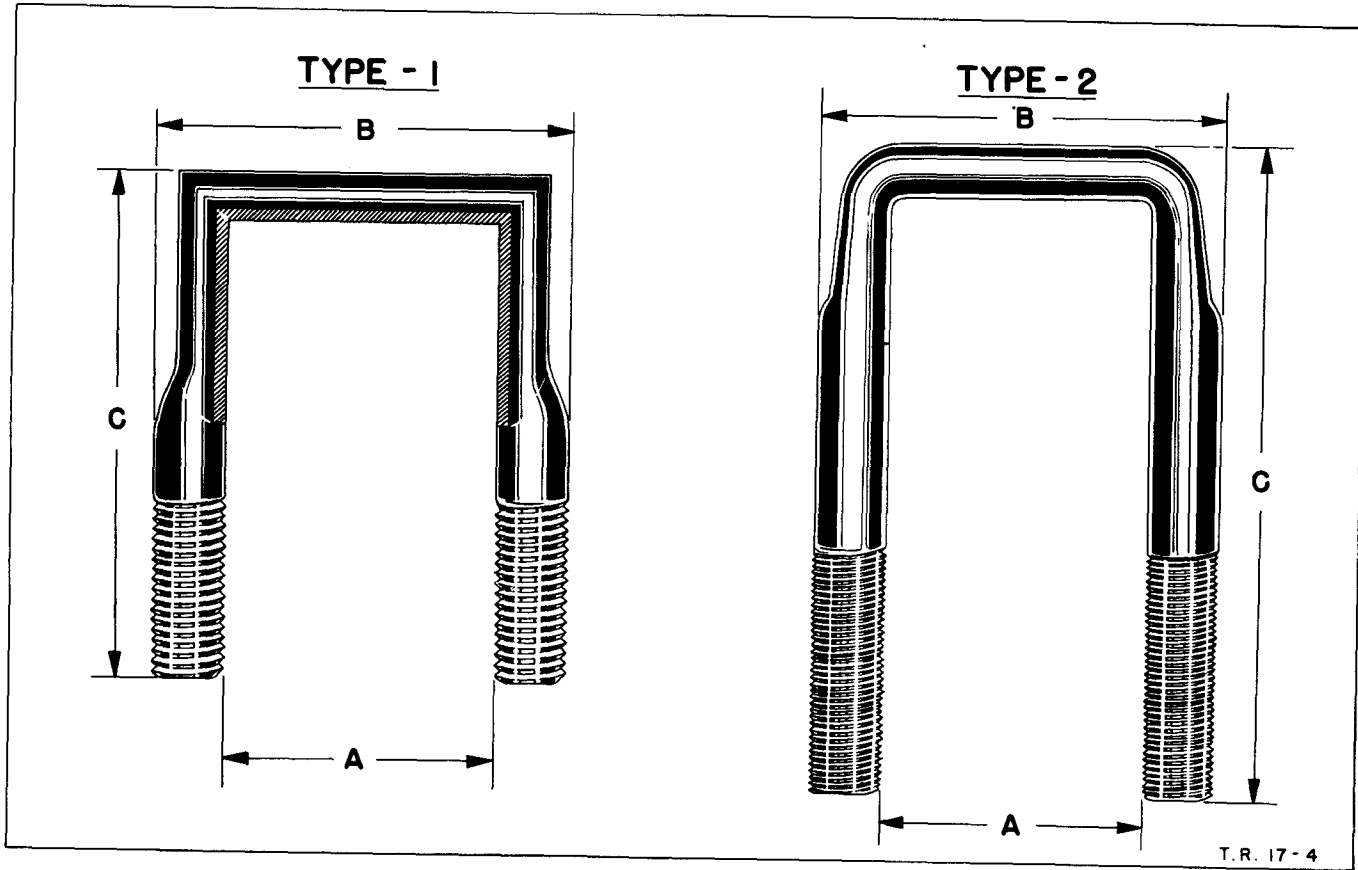
PART NAME	PART NO.	MODEL CODES										
		DG AND FO					DH AND FP					
		1	2	3	4	5	6	1	2	4	5	6
<b>GROUP 16-E FLANGES OR YOKES - (Cont'd)</b>												
<b>Center Bearing Flange (Cont'd)</b>												
Flange - Note 4 - - - - -	914734	..	..	..	..	1	..	..	..	1	..	..
Flange- - - - -	914734	..	..	..	..	..	1	..	..	..	1	1
Nut- - - - -	571300	..	..	1	1	1	1	..	..	1	1	1
Washer- - - - -	571301	..	..	1	1	1	1	..	..	1	1	1
Cotter- - - - -	119209	..	..	1	1	1	1	..	..	1	1	1
<b>Transmission End Flange</b>												
Flange- - - - -	1321325	1	..	..	..	..	..	1	..	..	..	..
Flange- - - - -	1191427	..	1	..	..	..	..	..	1	..	..	..
Flange - with 4 speed trans.- - - - -	582504	..	1	1	1	1	..	..	1	1	1	..
Flange - with 5 speed trans.- - - - -	596763	..	..	..	1	1	1	..	..	1	1	1
Nut- - - - -	600366	1	1	..	..	..	..	1	1	..	..	..
Nut - with 4 speed trans.- - - - -	562536	..	1	1	1	1	..	..	1	1	1	..
Nut - with 5 speed trans.- - - - -	564214	..	..	..	1	1	1	..	..	1	1	1
Washer- - - - -	308466	1	1	..	..	..	..	1	1	..	..	..
Washer - with 4 speed trans.- - - - -	556940	..	1	1	1	1	..	..	1	1	1	..
Cotter- - - - -	119209	1	1	1	1	1	1	1	1	1	1	1
<b>Companion Yoke or Flange</b>												
Yoke or flange- - - - -	1122682	1	..	..	..	..	..	1	..	..	..	..
Yoke or flange- - - - -	596845	..	1	1	1	..	..	..	1	1	..	..
Yoke or flange - Note 3 - - - - -	596845	..	..	..	..	1	..	..	..	..	..	..
Yoke or flange - Note 4 - - - - -	582509	..	..	..	..	1	..	..	..	1	..	..
Yoke or flange- - - - -	582509	..	..	..	..	..	1	..	..	..	1	1
<b>GROUP 16-F PROPELLER SHAFT ATTACHING PARTS</b>												
<b>Attaching Parts</b>												
U-Bolt- - - - -	1122683	2	..	..	..	..	..	2	..	..	..	..
U-Bolt - 6 on 192" - 212" W.B.- - - - -	914708	..	2	4	4	4	4	..	2	4	4	4
Nut- - - - -	120368	4	..	..	..	..	..	4	..	..	..	..
Nut- - - - -	120369	..	4	8	8	8	8	..	4	8	8	8
Lockwasher- - - - -	120382	4	4	8	8	8	8	4	4	8	8	8
Bolt - trans. end - - - - -	651470	4	..	..	..	..	..	4	..	..	..	..
Bolt - trans. end - - - - -	582512	..	4	4	4	4	4	..	4	4	4	4
Nut- - - - -	125913	4	..	..	..	..	..	4	..	..	..	..
Nut- - - - -	120370	..	4	4	4	4	4	..	4	4	4	4
Lockwasher- - - - -	138489	4	..	..	..	..	..	4	..	..	..	..
Lockwasher- - - - -	136857	..	4	4	4	4	4	..	4	4	4	4

**NOTES:**

Indicates amount used as required.

† Indicates parts included in packages.

SPRING CLIP CHART



Part No.	"A"	"B"	"C"	Thread Size and Length	Part No.	"A"	"B"	"C"	Thread Size and Length
581739	1 13/16"	3 7/16"	3 31/32"	1/2 - 20 x 1 3/4"	590093	1 13/16"	2 15/16"	8 9/16"	9/16-18x1 3/4"
589114	1 13/16"	3 7/16"	6 23/32"	1/2-20x1 3/4"	599110	1 13/16"	2 15/16"	9 5/16"	9/16-18x1 3/4"
590149	1 13/16"	3 7/16"	7 23/32"	1/2-20x1 3/4"	929345	1 13/16"	2 15/16"	9 15/16"	9/16-18x1 3/4"
537206	2 3/32"	3 7/32"	4 29/32"	9/16-18x1 1/2"	916401	1 13/16"	2 15/16"	10 9/16"	9/16-18x1 3/4"
570123	2 3/32"	3 7/32"	6 13/32"	9/16-18x1 1/2"	1263684	1 13/16"	2 15/16"	11 1/16"	9/16-18x1 3/4"
593682	2 3/32"	3 7/32"	6 29/32"	9/16-18x1 1/2"	1189927	2 5/16"	3 9/16"	8 11/16"	5/8-18x1 3/4"
1191233	2 3/32"	3 7/32"	7 21/32"	9/16-18x1 1/2"	1189928	2 5/16"	3 9/16"	9 11/16"	5/8-18x1 3/4"
1196829	2 3/32"	3 7/32"	7 29/32"	9/16-18x1 1/2"	1189929	2 5/16"	3 9/16"	10 3/16"	5/8-18x1 3/4"
1192183	2 3/32"	3 7/32"	8 13/32"	9/16-18x1 1/2"	1191179	2 5/16"	3 9/16"	10 7/16"	5/8-18x1 3/4"
1263585	2 3/32"	3 7/32"	8 29/32"	9/16-18x1 1/2"	1191061	2 5/16"	3 9/16"	11 15/16"	5/8-18x1 3/4"
1263586	2 3/32"	3 7/32"	9 21/32"	9/16-18x1 1/2"	1193768	2 5/16"	3 9/16"	12 11/16"	5/8-18x1 3/4"
50333	1 13/16"	3 7/16"	4 7/32"	1/2-20x1 3/4"	1189868	2 5/16"	3 9/16"	12 15/16"	5/8-18x1 3/4"
588134	1 13/16"	3 7/16"	5 12/32"	1/2-20x1 3/4"	1191184	2 5/16"	3 9/16"	13 11/16"	5/8-18x1 3/4"
					1193770	2 5/16"	3 9/16"	14 11/16"	5/8-18x1 3/4"
					1191186	2 5/16"	3 9/16"	15 11/16"	5/8-18x1 3/4"
					1092739	2 17/32"	4 1/32"	13 1/32"	3/4-16x2"
					1193773	2 17/32"	4 1/32"	14 25/32"	3/4-16x2"
					1092780	2 17/32"	4 1/32"	15 9/32"	3/4-16x2"
					1193774	2 17/32"	4 1/32"	16 1/32"	3/4-16x2"
					1092782	2 17/32"	4 1/32"	16 9/32"	3/4-16x2"
					590094	1 13/16"	2 15/16"	7 13/16"	9/16-18x1 3/4"
					1191180	2 5/16"	3 9/16"	11 3/16"	5/8-18x1 3/4"
					1191183	2 5/16"	3 9/16"	14 7/16"	5/8-18x1 3/4"
					1092740	2 17/32"	4 1/32"	14 9/32"	3/4-16x2"
					1189930	2 5/16"	3 9/16"	13 3/16"	5/8-18x1 3/4"
					1195258	2 5/16"	3 9/16"	14 3/16"	5/8-18x1 3/4"
					1191185	2 5/16"	3 9/16"	14 15/16"	5/8-18x1 3/4"
					1193769	2 5/16"	3 9/16"	15 3/16"	5/8-18x1 3/4"
					1191836	2 17/32"	4 1/32"	15 25/32"	3/4-16x2"
					1193772	2 17/32"	4 1/32"	13 17/32"	3/4-16x2"
					1196125	2 17/32"	4 1/32"	16 25/32"	3/4-16x2"
					1190568	2 17/32"	4 1/32"	17 1/32"	3/4-16x2"

**GROUP 17 - SPRINGS**

**NOTE:** Parts referred to Note 1 were used up to and including parts referred to Note 2 were used after the following serial nos: DG5-93252111-F05-93751755 exceptions Note 1 parts were used on the following serial nos: DG5-93252223 to 93252229. 93252233 to 93252243.inclusive - F05-93751825-6-8-9-830-1. DG6-94003847. F06-94502568.

**NOTE:** Parts referred to Note 3 were used up to and including. Parts referred to Note 4 were used after the following serial nos: DG3-92000834 - F03-92500914 - DG4-93003999 - F04-93503729 - DG5-93252002 - F05-93751681 - DG6-94003348 - F06-94502371.

**NOTE:** Note "Y" refers to parts used on timken axle with round type housing. Note "Z" refers to parts used on timken axle with square type housing.

PART NAME	PART NO.	MODEL CODES											
		DG AND FO					DH AND FP						
		1	2	3	4	5	6	1	2	4	5	6	7
<b>GROUP 17-A FRONT SPRINGS</b>													
<b>Front Springs</b>													
Assy - 7 leaf	1194190	2	..	..	..	..	..	2	..	..	..	..	..
Leaf No. 1	1194191	2	..	..	..	..	..	2	..	..	..	..	..
Leaf No. 2	1194192	2	..	..	..	..	..	2	..	..	..	..	..
Leaf No. 3	1194193	2	..	..	..	..	..	2	..	..	..	..	..
Centre bolt	593805	2	..	..	..	..	..	2	..	..	..	..	..
Nut	120369	2	..	..	..	..	..	2	..	..	..	..	..
Assy - 8 leaf	1194198	2	..	..	..	..	..	2	..	..	..	..	..
Leaf No. 1	1196289	2	..	..	..	..	..	2	..	..	..	..	..
Leaf No. 2	1196290	2	..	..	..	..	..	2	..	..	..	..	..
Leaf No. 3	1194739	2	..	..	..	..	..	2	..	..	..	..	..
Center bolt	593805	2	..	..	..	..	..	2	..	..	..	..	..
Nut	120369	2	..	..	..	..	..	2	..	..	..	..	..
Assy - 8 leaf	1194204	..	2	..	..	..	..	..	2	..	..	..	..
Leaf No. 1	1194738	..	2	..	..	..	..	..	2	..	..	..	..
Leaf No. 2	1194192	..	2	..	..	..	..	..	2	..	..	..	..
Leaf No. 3	1195234	..	2	..	..	..	..	..	2	..	..	..	..
Center bolt	593805	..	2	..	..	..	..	..	2	..	..	..	..
Nut	120369	..	2	..	..	..	..	..	2	..	..	..	..
Assy - 9 leaf	1194496	..	2	..	..	..	..	..	2	..	..	..	..
Leaf No. 1	1196289	..	2	..	..	..	..	..	2	..	..	..	..
Leaf No. 2	1196290	..	2	..	..	..	..	..	2	..	..	..	..
Leaf No. 3	1196291	..	2	..	..	..	..	..	2	..	..	..	..
Center bolt	593805	..	2	..	..	..	..	..	2	..	..	..	..
Nut	120369	..	2	..	..	..	..	..	2	..	..	..	..
Assy - 8 leaf	1263906	..	..	2	..	..	..	..	..	..	..	..	..
Leaf No. 1	1263911	..	..	2	..	..	..	..	..	..	..	..	..
Leaf No. 2	1263908	..	..	2	..	..	..	..	..	..	..	..	..
Leaf No. 3	1263909	..	..	2	..	..	..	..	..	..	..	..	..
Center bolt	593805	..	..	2	..	..	..	..	..	..	..	..	..
Nut	120369	..	..	2	..	..	..	..	..	..	..	..	..
Assy 9 leaf	1263910	..	..	2	2	2	2	..	..	2	2	2	2
Leaf No. 1	1263911	..	..	2	2	2	2	..	..	2	2	2	2
Leaf No. 2	1194170	..	..	2	2	2	2	..	..	2	2	2	2
Leaf No. 3	1263914	..	..	2	2	2	2	..	..	2	2	2	2
Center bolt	593805	..	..	2	2	2	2	..	..	2	2	2	2
Nut	120369	..	..	2	2	2	2	..	..	2	2	2	2
Assy - 11 leaf	1263913	..	..	..	2	2	2	..	..	2	2	2	2
Leaf No. 1	1263911	..	..	..	2	2	2	..	..	2	2	2	2
Leaf No. 2	1194170	..	..	..	2	2	2	..	..	2	2	2	2
Leaf No. 3	1263914	..	..	..	2	2	2	..	..	2	2	2	2
Center bolt	593805	..	..	..	2	2	2	..	..	2	2	2	2
Nut	120369	..	..	..	2	2	2	..	..	2	2	2	2
<b>Front Springs - School Bus</b>													
Assy - 8 leaf - 152" W.B.	1262737	..	..	..	2	..	..	..	..	..	..	..	..
Leaf No. 1	1261328	..	..	..	2	..	..	..	..	..	..	..	..
Leaf No. 2	1262459	..	..	..	2	..	..	..	..	..	..	..	..
Leaf No. 3	1262734	..	..	..	2	..	..	..	..	..	..	..	..
Center bolt	593805	..	..	..	2	..	..	..	..	..	..	..	..
Nut	120369	..	..	..	2	..	..	..	..	..	..	..	..
Assy - 10 leaf - 192" W.B.	1262738	..	..	..	2	..	..	..	..	..	..	..	..
Leaf No. 1	1261328	..	..	..	2	..	..	..	..	..	..	..	..
Leaf No. 2	1262459	..	..	..	2	..	..	..	..	..	..	..	..
Leaf No. 3	1262736	..	..	..	2	..	..	..	..	..	..	..	..

Indicates amount used as required.

† Indicates parts included in packages.



**GROUP 17-SPRINGS**

PART NAME	PART NO.	MODEL CODES											
		DG AND FO					DH AND FP						
		1	2	3	4	5	6	1	2	4	5	6	7
<b>GROUP 17-A FRONT SPRINGS (CONT'D)</b>													
<b>Front Springs - School Bus (cont'd)</b>													
Center bolt - - - - -	593805	..	..	..	2	..	..	..	..	..	..	..	..
Nut - - - - -	120369	..	..	..	2	..	..	..	..	..	..	..	..
Assy - 11 leaf - 212" W.B. - - - - -	1262739	..	..	..	..	..	2	..	..	..	..	..	..
Leaf No. 1 - - - - -	1261328	..	..	..	..	..	2	..	..	..	..	..	..
Leaf No. 2 - - - - -	1262459	..	..	..	..	..	2	..	..	..	..	..	..
Leaf No. 3 - - - - -	1262740	..	..	..	..	..	2	..	..	..	..	..	..
Center bolt - - - - -	593805	..	..	..	..	..	2	..	..	..	..	..	..
Nut - - - - -	120369	..	..	..	..	..	2	..	..	..	..	..	..
<b>GROUP 17-B FRONT SPRING SHACKLE</b>													
<b>Front Spring Shackle</b>													
Package - left - - - - -	1311192	1	1	..	..	..	..	1	1	..	..	..	..
Package - right - - - - -	1311193	1	1	..	..	..	..	1	1	..	..	..	..
Shackle - - - - -	595526	..	..	4	4	4	4	..	..	4	4	4	4
Bushing and plug assy - upper - - - - -	† 639276	2	2	..	..	..	..	2	2	..	..	..	..
Bushing and plug assy - upper - .010 - - - - -	640041	2	2	..	..	..	..	2	2	..	..	..	..
Bushing and plug assy - lower - left - - - - -	† 650555	1	1	..	..	..	..	1	1	..	..	..	..
Bushing and plug assy - lower - left - 010 - - - - -	650562	1	1	..	..	..	..	1	1	..	..	..	..
Bushing and plug assy - lower - right - - - - -	† 639276	1	1	..	..	..	..	1	1	..	..	..	..
Bushing and plug assy - lower - right - 010 - - - - -	640041	1	1	..	..	..	..	1	1	..	..	..	..
Grease nipple - - - - -	† 145435	4	4	..	..	..	..	4	4	..	..	..	..
Package - bushing - left - - - - -	1243722	1	1	..	..	..	..	1	1	..	..	..	..
Package - bushing - right - - - - -	1243721	1	1	..	..	..	..	1	1	..	..	..	..
<b>GROUP 17-C FRONT SPRING BOLT - BUSHING</b>													
<b>Front Spring Bolt</b>													
Bolt - - - - -	651588	2	2	..	..	..	..	2	2	..	..	..	..
Lockwasher - - - - -	618192	2	2	..	..	..	..	2	2	..	..	..	..
Oiler - - - - -	110347	2	2	..	..	..	..	2	2	..	..	..	..
Bolt - - - - -	595529	..	..	6	6	6	6	..	..	6	6	6	6
Nut - - - - -	128180	..	..	6	6	6	6	..	..	6	6	6	6
Cotter pin - - - - -	119209	..	..	6	6	6	6	..	..	6	6	6	6
Grease nipple - - - - -	110347	..	..	6	6	6	6	..	..	6	6	6	6
Lock - - - - -	589540	..	..	2	2	2	2	..	..	2	2	2	2
Screw - - - - -	120628	..	..	2	2	2	2	..	..	2	2	2	2
Lockwasher - - - - -	120380	..	..	2	2	2	2	..	..	2	2	2	2
<b>Front Spring Bushing</b>													
Bushing - spring eye - front - - - - -	603568	2	2	..	..	..	..	2	2	..	..	..	..
Bushing - spring eye - - - - -	595528	..	..	4	4	4	4	..	..	4	4	4	4
<b>GROUP 17-D FRONT SPRING CLIP - SHIM</b>													
<b>NOTE: To identify spring clips see chart on page 17-1.</b>													
Clip - type 1 - - - - -	50333	4	4	..	..	..	..	4	4	..	..	..	..
Clip - type 1 - - - - -	581737	4	4	..	..	..	..	4	4	..	..	..	..
Clip - type 1 - - - - -	537206	..	..	4	4	4	4	..	..	4	4	4	4
Clip - type 1 - - - - -	570123	..	..	4	4	4	4	..	..	4	4	4	4
Clip - type 1 - - - - -	593682	..	..	4	4	4	4	..	..	4	4	4	4
Clip - type 1 - - - - -	1191233	..	..	4	4	4	4	..	..	4	4	4	4
Clip - type 1 - - - - -	1196829	..	..	4	4	4	4	..	..	4	4	4	4
Clip - type 1 - - - - -	1192183	..	..	4	4	4	4	..	..	4	4	4	4
Clip - type 1 - - - - -	1196829	..	..	4	4	4	4	..	..	4	4	4	4
Clip - type 1 - - - - -	1192183	..	..	4	4	4	4	..	..	4	4	4	4
Clip - type 1 - - - - -	1263585	..	..	4	4	4	4	..	..	4	4	4	4
Clip - type 1 - - - - -	1263586	..	..	4	4	4	4	..	..	4	4	4	4
Nut - - - - -	50368	8	8	..	..	..	..	8	8	..	..	..	..
Lockwasher - - - - -	120384	8	8	..	..	..	..	8	8	..	..	..	..
Nut - - - - -	55481	..	..	8	8	8	8	..	..	8	8	8	8
Lockwasher - - - - -	138479	..	..	8	8	8	8	..	..	8	8	8	8

Indicates amount used as required.

† Indicates parts included in packages.

**GROUP 17 - SPRINGS**

PART NAME	PART NO.	MODEL CODES											
		DG AND FO					DH AND FP						
		1	2	3	4	5	6	1	2	4	5	6	7
<b>GROUP 17-D FRONT SPRING CLIP-SHIM (CONT'D)</b>													
<b>Front Spring Shim</b>													
NOTE: The following part is used without shocks with 8.25 x 20 - 9.00 x 20 tires.													
Shim - - - - -	1266433	..	..	..	2	2	2	..	..	2	2	2	2
<b>GROUP 17-E FRONT AXLE BUMPER</b>													
<b>Front Axle Bumper</b>													
Assy. - - - - -	589933	2	2	..	..	..	..	2	2	..	..	..	..
Assy. - - - - -	1194231	..	..	2	2	2	2	..	..	2	2	2	2
<b>GROUP 17-F REAR SPRING</b>													
<b>Rear Spring</b>													
Assy. - 5 leaf - - - - -	1271882	2	..	..	..	..	..	..	..	..	..	..	..
Leaf No. 1 - - - - -	1271883	2	..	..	..	..	..	..	..	..	..	..	..
Leaf No. 2 - - - - -	1271884	2	..	..	..	..	..	..	..	..	..	..	..
Leaf No. 3 - - - - -	1271885	2	..	..	..	..	..	..	..	..	..	..	..
Center bolt - - - - -	593805	2	..	..	..	..	..	..	..	..	..	..	..
Nut - - - - -	120369	2	..	..	..	..	..	..	..	..	..	..	..
Assy. - 6 leaf - - - - -	1271888	2	..	..	..	..	..	..	..	..	..	..	..
Leaf No. 1 - - - - -	1271883	2	..	..	..	..	..	..	..	..	..	..	..
Leaf No. 2 - - - - -	1271890	2	..	..	..	..	..	..	..	..	..	..	..
Leaf No. 3 - - - - -	1271891	2	..	..	..	..	..	..	..	..	..	..	..
Center bolt - - - - -	593805	2	..	..	..	..	..	..	..	..	..	..	..
Nut - - - - -	120369	2	..	..	..	..	..	..	..	..	..	..	..
Assy. - 7 leaf - - - - -	1271894	2	..	..	..	..	..	2	..	..	..	..	..
Leaf No. 1 - - - - -	1271883	2	..	..	..	..	..	2	..	..	..	..	..
Leaf No. 2 - - - - -	1271884	2	..	..	..	..	..	2	..	..	..	..	..
Leaf No. 3 - - - - -	1271897	2	..	..	..	..	..	2	..	..	..	..	..
Center bolt - - - - -	593805	2	..	..	..	..	..	2	..	..	..	..	..
Nut - - - - -	120369	2	..	..	..	..	..	2	..	..	..	..	..
Assy. - 8 leaf - - - - -	1272640	..	2	..	..	..	..	..	2	..	..	..	..
Leaf No. 1 - - - - -	1272641	..	2	..	..	..	..	..	2	..	..	..	..
Leaf No. 2 - - - - -	1272642	..	2	..	..	..	..	..	2	..	..	..	..
Leaf No. 3 - - - - -	1272643	..	2	..	..	..	..	..	2	..	..	..	..
Center bolt - - - - -	593805	..	2	..	..	..	..	..	2	..	..	..	..
Nut - - - - -	120369	..	2	..	..	..	..	..	2	..	..	..	..
Assy. - 9 leaf - - - - -	1272645	..	2	..	..	..	..	..	..	..	..	..	..
Leaf No. 1 - - - - -	1272641	..	2	..	..	..	..	..	..	..	..	..	..
Leaf No. 2 - - - - -	1272642	..	2	..	..	..	..	..	..	..	..	..	..
Leaf No. 3 - - - - -	1272646	..	2	..	..	..	..	..	..	..	..	..	..
Center bolt - - - - -	593805	..	2	..	..	..	..	..	..	..	..	..	..
Nut - - - - -	120369	..	2	..	..	..	..	..	..	..	..	..	..
Assy. - 10 leaf - - - - -	1272658	..	2	..	..	..	..	..	2	..	..	..	..
Leaf No. 1 - - - - -	1272641	..	2	..	..	..	..	..	2	..	..	..	..
Leaf No. 2 - - - - -	1272642	..	2	..	..	..	..	..	2	..	..	..	..
Leaf No. 3 - - - - -	1272659	..	2	..	..	..	..	..	2	..	..	..	..
Center bolt - - - - -	593805	..	2	..	..	..	..	..	2	..	..	..	..
Nut - - - - -	120369	..	2	..	..	..	..	..	2	..	..	..	..
Assy. - 11 leaf - - - - -	1272654	..	2	..	..	..	..	..	..	..	..	..	..
Leaf No. 1 - - - - -	1272641	..	2	..	..	..	..	..	..	..	..	..	..
Leaf No. 2 - - - - -	1272642	..	2	..	..	..	..	..	..	..	..	..	..
Leaf No. 3 - - - - -	1272655	..	2	..	..	..	..	..	..	..	..	..	..
Center bolt - - - - -	593805	..	2	..	..	..	..	..	..	..	..	..	..
Nut - - - - -	120369	..	2	..	..	..	..	..	..	..	..	..	..
Assy. - 12 leaf - - - - -	1272662	..	2	..	..	..	..	..	..	..	..	..	..
Leaf No. 1 - - - - -	1272641	..	2	..	..	..	..	..	..	..	..	..	..
Leaf No. 2 - - - - -	1272642	..	2	..	..	..	..	..	..	..	..	..	..
Leaf No. 3 - - - - -	1272663	..	2	..	..	..	..	..	..	..	..	..	..
Center bolt - - - - -	593805	..	2	..	..	..	..	..	..	..	..	..	..
Nut - - - - -	120369	..	2	..	..	..	..	..	..	..	..	..	..
Assy. - 8 leaf - - - - -	1272705	..	..	2	2	..	..	..	..	2	..	..	..
Leaf No. 1 - - - - -	1272711	..	..	2	2	..	..	..	..	2	..	..	..
Leaf No. 2 - - - - -	1272707	..	..	2	2	..	..	..	..	2	..	..	..
Leaf No. 3 - - - - -	1272708	..	..	2	2	..	..	..	..	2	..	..	..

Indicates amount used as required.

† Indicates parts included in packages.

GROUP 17 - SPRINGS

PART NAME	PART NO.	MODEL CODES											
		DG AND FO						DH AND FP					
		1	2	3	4	5	6	1	2	4	5	6	7
<b>GROUP 17-F REAR SPRING (CONT'D)</b>													
<b>Rear Spring (cont'd)</b>													
Center bolt	593808	..	..	2	2	..	..	..	..	2	..	..	..
Nut	120370	..	..	2	2	..	..	..	..	2	..	..	..
Assy. - 10 leaf	1272710	..	..	..	2	2	..	..	..	2	2	..	..
Leaf No. 1	1272711	..	..	..	2	2	..	..	..	2	2	..	..
Leaf No. 2	1272707	..	..	..	2	2	..	..	..	2	2	..	..
Leaf No. 3	1272712	..	..	..	2	2	..	..	..	2	2	..	..
Center bolt	593808	..	..	..	2	2	..	..	..	2	2	..	..
Nut	120370	..	..	..	2	2	..	..	..	2	2	..	..
Assy. - 11 leaf Note 1	1272714	..	..	..	..	2	..	..	..	..	..	..	..
Leaf No. 1	1272711	..	..	..	..	2	..	..	..	..	..	..	..
Leaf No. 2	1272707	..	..	..	..	2	..	..	..	..	..	..	..
Leaf No. 3	1272715	..	..	..	..	2	..	..	..	..	..	..	..
Center bolt	593808	..	..	..	..	2	..	..	..	..	..	..	..
Nut	120370	..	..	..	..	2	..	..	..	..	..	..	..
Assy. - 13 leaf - Note 2	1265604	..	..	..	..	2	..	..	..	..	2	..	..
Leaf No. 1	1272711	..	..	..	..	2	..	..	..	..	2	..	..
Leaf No. 2	1272707	..	..	..	..	2	..	..	..	..	2	..	..
Leaf No. 3	1267470	..	..	..	..	2	..	..	..	..	2	..	..
Center bolt	593809	..	..	..	..	2	..	..	..	..	2	..	..
Nut	120370	..	..	..	..	2	..	..	..	..	2	..	..
Assy. - 11 leaf - Note 1	1272761	..	..	..	..	..	2	..	..	..	..	..	..
Leaf No. 1	1190561	..	..	..	..	..	2	..	..	..	..	..	..
Leaf No. 2	1190562	..	..	..	..	..	2	..	..	..	..	..	..
Leaf No. 3	589990	..	..	..	..	..	2	..	..	..	..	..	..
Center bolt	593809	..	..	..	..	..	2	..	..	..	..	..	..
Nut	120370	..	..	..	..	..	2	..	..	..	..	..	..
Assy. - 13 leaf - Note 2	1267447	..	..	..	..	..	2	..	..	..	..	2	..
Leaf No. 1	1190561	..	..	..	..	..	2	..	..	..	..	2	..
Leaf No. 2	1190562	..	..	..	..	..	2	..	..	..	..	2	..
Leaf No. 3	1267472	..	..	..	..	..	2	..	..	..	..	2	..
Center bolt	593809	..	..	..	..	..	2	..	..	..	..	2	..
Nut	120370	..	..	..	..	..	2	..	..	..	..	2	..
Assy. - 12 leaf	1272769	..	..	..	..	..	..	..	..	..	..	..	2
Leaf No. 1	1190561	..	..	..	..	..	..	..	..	..	..	..	2
Leaf No. 2	1190562	..	..	..	..	..	..	..	..	..	..	..	2
Leaf No. 3	1267472	..	..	..	..	..	..	..	..	..	..	..	2
Center bolt	593809	..	..	..	..	..	..	..	..	..	..	..	2
Nut	120370	..	..	..	..	..	2	..	..	..	..	..	2
<b>Auxiliary Spring</b>													
Assy. - 5 leaf	1263674	..	2	..	..	..	..	..	2	..	..	..	..
Leaf No. 1	1263675	..	2	..	..	..	..	..	2	..	..	..	..
Leaf No. 2	1263676	..	2	..	..	..	..	..	2	..	..	..	..
Leaf No. 3	1263677	..	2	..	..	..	..	..	2	..	..	..	..
Center bolt	593804	..	2	..	..	..	..	..	2	..	..	..	..
Nut	120368	..	2	..	..	..	..	..	2	..	..	..	..
Spacer	1263678	..	2	..	..	..	..	..	2	..	..	..	..
Bumper brkt.	1263679	..	4	..	..	..	..	..	4	..	..	..	..
Rivet - long	108684	..	6	..	..	..	..	..	6	..	..	..	..
Rivet - short	104113	..	6	..	..	..	..	..	6	..	..	..	..
Assy. - 7 leaf	915812	..	..	2	2	2	..	..	..	2	2	..	..
Leaf No. 1	915813	..	..	2	2	2	..	..	..	2	2	..	..
Leaf No. 2	915814	..	..	2	2	2	..	..	..	2	2	..	..
Leaf No. 3	915825	..	..	2	2	2	..	..	..	2	2	..	..
Center bolt	539805	..	..	2	2	2	..	..	..	2	2	..	..
Nut	120369	..	..	2	2	2	..	..	..	2	2	..	..
Spacer	564164	..	..	2	2	2	..	..	..	2	2	..	..
Bumper brkt.	595274	..	..	4	4	4	..	..	..	4	4	..	..
Rivet	108684	..	..	12	12	12	..	..	..	12	12	..	..
Assy. - 5 leaf - Note 1	1272762	..	..	..	..	..	2	..	..	..	..	..	..
Leaf No. 1	1190564	..	..	..	..	..	2	..	..	..	..	..	..
Leaf No. 2	1190565	..	..	..	..	..	2	..	..	..	..	..	..
Leaf No. 3	1272763	..	..	..	..	..	2	..	..	..	..	..	..
Center bolt	593809	..	..	..	..	..	2	..	..	..	..	..	..
Nut	120370	..	..	..	..	..	2	..	..	..	..	..	..

Indicates amount used as required.

† Indicates parts included in packages.

GROUP 17 - SPRINGS

PART NAME	PART NO.	MODEL CODES											
		DG AND FO					DH AND FP						
		1	2	3	4	5	6	1	2	4	5	6	7
<b>GROUP 17-F REAR SPRING - (CONT'D)</b>													
<b>Auxiliary Spring - (cont'd)</b>													
Bumper brkt. - - - - -	595274	..	..	..	..	..	4	..	..	..	..	..	..
Rivet - - - - -	108684	..	..	..	..	..	12	..	..	..	..	..	..
Assy. - 7 leaf - Note 2 - - - - -	1267446	..	..	..	..	..	2	..	..	..	..	..	2
Leaf No. 1 - - - - -	1190564	..	..	..	..	..	2	..	..	..	..	..	2
Leaf No. 2 - - - - -	1190565	..	..	..	..	..	2	..	..	..	..	..	2
Leaf No. 3 - - - - -	1267471	..	..	..	..	..	2	..	..	..	..	..	2
Center bolt - - - - -	593809	..	..	..	..	..	2	..	..	..	..	..	2
Nut - - - - -	120370	..	..	..	..	..	2	..	..	..	..	..	2
Bumper brkt. - - - - -	595274	..	..	..	..	..	4	..	..	..	..	..	4
Rivet - - - - -	108684	..	..	..	..	..	12	..	..	..	..	..	12
Assy. - 5 leaf - - - - -	1273072	..	..	..	..	..	..	..	..	..	..	..	2
Leaf No. 1 - - - - -	1190564	..	..	..	..	..	..	..	..	..	..	..	2
Leaf No. 2 - - - - -	1190565	..	..	..	..	..	..	..	..	..	..	..	2
Leaf No. 3 - - - - -	1272763	..	..	..	..	..	..	..	..	..	..	..	2
Center bolt - - - - -	593809	..	..	..	..	..	..	..	..	..	..	..	2
Nut - - - - -	120370	..	..	..	..	..	..	..	..	..	..	..	2
Bumper brkt. - - - - -	595274	..	..	..	..	..	..	..	..	..	..	..	4
Rivet - - - - -	108684	..	..	..	..	..	..	..	..	..	..	..	12
<b>Rear Spring - School Bus</b>													
Assy. - 15 leaf - 152" W.B. - - - - -	1190596	..	..	..	2	..	..	..	..	..	..	..	..
Leaf No. 1 - - - - -	1190598	..	..	..	2	..	..	..	..	..	..	..	..
Leaf No. 2 - - - - -	1190599	..	..	..	2	..	..	..	..	..	..	..	..
Leaf No. 3 - - - - -	1190600	..	..	..	2	..	..	..	..	..	..	..	..
Center bolt - - - - -	593806	..	..	..	2	..	..	..	..	..	..	..	..
Nut - - - - -	120369	..	..	..	2	..	..	..	..	..	..	..	..
Assy. 16 leaf - 192" W.B. - - - - -	1190597	..	..	..	2	..	..	..	..	..	..	..	..
Leaf No. 1 - - - - -	1190601	..	..	..	2	..	..	..	..	..	..	..	..
Leaf No. 2 - - - - -	1190602	..	..	..	2	..	..	..	..	..	..	..	..
Leaf No. 3 - - - - -	1190603	..	..	..	2	..	..	..	..	..	..	..	..
Center bolt - - - - -	593806	..	..	..	2	..	..	..	..	..	..	..	..
Nut - - - - -	120369	..	..	..	2	..	..	..	..	..	..	..	..
Assy. 16 leaf - 212" W.B. - - - - -	1190605	..	..	..	..	2	..	..	..	..	..	..	..
Leaf No. 1 - - - - -	1190606	..	..	..	..	2	..	..	..	..	..	..	..
Leaf No. 2 - - - - -	1190607	..	..	..	..	2	..	..	..	..	..	..	..
Leaf No. 3 - - - - -	1190608	..	..	..	..	2	..	..	..	..	..	..	..
Center bolt - - - - -	593809	..	..	..	..	2	..	..	..	..	..	..	..
Nut - - - - -	120370	..	..	..	..	2	..	..	..	..	..	..	..
<b>GROUP 17-G REAR SPRING SHACKLE</b>													
<b>Rear Spring Shackle</b>													
Package - left - - - - -	1311194	1	..	..	..	..	..	1	..	..	..	..	..
Package - right - - - - -	1315500	1	..	..	..	..	..	1	..	..	..	..	..
Shackle and bushing assy. - - - - -	925265	..	2	..	..	..	..	..	2	..	..	..	..
Shackle and bushing assy. - - - - -	588221	..	..	2	2	2	..	..	..	2	2	..	..
Shackle and bushing assy. - - - - -	589573	..	..	..	..	..	2	..	..	..	2	2	..
Bushing and plug assy. - lower - right - - - - -	†650555	1	..	..	..	..	..	1	..	..	..	..	..
Bushing and plug assy. - lower - right - - - - -													
010 - - - - -	650662	1	..	..	..	..	..	1	..	..	..	..	..
Bushing and plug assy. - lower - left - - - - -	†639276	1	..	..	..	..	..	1	..	..	..	..	..
Bushing and plug assy. - lower - left - - - - -													
010 - - - - -	640041	1	..	..	..	..	..	1	..	..	..	..	..
Bushing and plug assy. - upper - - - - -	†573506	2	..	..	..	..	..	2	..	..	..	..	..
Bushing and plug assy. - upper - 010 - - - - -	573522	2	..	..	..	..	..	2	..	..	..	..	..
Bushing - - - - -	576030	..	2	..	..	..	..	..	2	..	..	..	..
Bushing - - - - -	588223	..	..	2	2	2	..	..	..	2	2	..	..
Bushing - - - - -	572130	..	..	..	..	..	2	..	..	..	..	2	2
Grease nipple - - - - -	†145435	..	..	..	..	..	4	..	..	..	..	4	4
Package - bushing - left - - - - -	1315502	1	..	..	..	..	..	1	..	..	..	..	..
Package - bushing - right - - - - -	1315501	1	..	..	..	..	..	1	..	..	..	..	..
<b>GROUP 17-H REAR SPRING BOLT - BUSHING</b>													
<b>Rear Spring Bolt</b>													
Bolt - front - - - - -	925267	2	2	..	..	..	..	2	2	..	..	..	..

Indicates amount used as required.

† Indicates parts included in packages.

**GROUP 17 - SPRINGS**

PART NAME	PART NO.	MODEL CODES											
		DG AND FO					DH AND FP						
		1	2	3	4	5	6	1	2	4	5	6	7
<b>GROUP 17-H REAR SPRING BOLT - BUSHING (CONT'D)</b>													
<b>Rear Spring Bolt (Cont'd)</b>													
Bolt - shackle - - - - -	925267	..	4	..	..	..	..	..	4	..	..	..	..
Bolt - - - - -	588224	..	..	6	6	6	..	..	..	6	6	..	..
Bolt - - - - -	589565	..	..	..	..	..	6	..	..	..	..	6	6
Grease nipple - front - - - - -	145436	2	2	..	..	..	..	2	2	..	..	..	..
Grease nipple - rear - - - - -	145435	..	4	..	..	..	..	..	4	..	..	..	..
Grease nipple - express - - - - -	145433	2	2	..	..	..	..	2	2	..	..	..	..
Lock bolt - - - - -	120640	2	6	6	6	6	4	2	6	6	6	4	4
Lock bolt - front - - - - -	100033	..	..	..	..	..	2	..	..	..	..	2	2
Lock bolt - rear - - - - -	120640	..	..	..	..	..	2	..	..	..	..	2	2
Nut - - - - -	120369	2	6	6	6	6	6	2	6	6	6	6	6
Lockwasher - - - - -	120382	2	6	6	6	6	6	2	6	6	6	6	6
<b>Rear Spring Bushing</b>													
Bushing - front eye - - - - -	576042	2	..	..	..	..	..	2	..	..	..	..	..
Bushing - - - - -	576042	..	4	..	..	..	..	..	4	..	..	..	..
Bushing - - - - -	588183	..	..	4	4	4	..	..	..	4	4	..	..
Bushing - - - - -	572121	..	..	..	..	..	4	..	..	..	..	4	4
<b>GROUP 17-I REAR SPRING CLIP - CLIP PLATE - CLIP SEAT</b>													
NOTE: To identify spring clips see chart on page 17-1													
<b>Rear Spring Clip</b>													
Clip - type 1 - - - - -	588134	4	..	..	..	..	..	4	..	..	..	..	..
Clip - type 1 - - - - -	589114	4	..	..	..	..	..	4	..	..	..	..	..
Clip - type 2 - - - - -	590094	..	4	..	..	..	..	..	4	..	..	..	..
Clip - type 2 - - - - -	590093	..	4	..	..	..	..	..	4	..	..	..	..
Clip - type 2 - - - - -	599110	..	4	..	..	..	..	..	4	..	..	..	..
Clip - type 2 - - - - -	929345	..	4	..	..	..	..	..	4	..	..	..	..
Clip - type 2 - - - - -	916401	..	4	..	..	..	..	..	4	..	..	..	..
Clip - type 2 - - - - -	1189929	..	..	4	..	..	..	..	..	..	..	..	..
Clip - type 2 - - - - -	1189930	..	..	4	4	..	..	..	..	4	..	..	..
Clip - type 2 - - - - -	1191180	..	..	4	4	..	..	..	..	4	..	..	..
Clip - type 2 - - - - -	1191184	..	..	4	4	..	..	..	..	4	..	..	..
Clip - type 2 - - - - -	1191061	..	..	..	4	..	..	..	..	4	..	..	..
Clip - type 2 - - - - -	1193768	..	..	..	4	..	..	..	..	4	..	..	..
Clip - type 2 - - - - -	1195258	..	..	..	4	4	..	..	..	4	4	..	..
Clip - type 2 - - - - -	1191183	..	..	..	4	4	..	..	..	4	4	..	..
Clip - type 2 - - - - -	1193769	..	..	..	..	4	..	..	..	..	4	..	..
Clip - type 2 - - - - -	1191185	..	..	..	..	4	..	..	..	..	4	..	..
Clip - type 2 - - - - -	1193770	..	..	..	..	4	..	..	..	..	4	..	..
Clip - type 2 - - - - -	1191186	..	..	..	..	4	..	..	..	..	4	..	..
Clip - type 2 - - - - -	1191836	..	..	..	..	..	4	..	..	..	..	4	..
Clip - type 2 - - - - -	1193773	..	..	..	..	..	4	..	..	..	..	4	4
Clip - type 2 - - - - -	1092740	..	..	..	..	..	4	..	..	..	..	4	4
Clip - type 2 - - - - -	1092780	..	..	..	..	..	4	..	..	..	..	4	4
Clip - type 2 - - - - -	1092739	..	..	..	..	..	4	..	..	..	..	4	..
Clip - type 2 - - - - -	1196125	..	..	..	..	..	4	..	..	..	..	4	..
Clip - type 2 - - - - -	1193774	..	..	..	..	..	4	..	..	..	..	4	4
Clip - type 2 - - - - -	1190568	..	..	..	..	..	4	..	..	..	..	4	..
Nut - - - - -	50368	8	..	..	..	..	..	8	..	..	..	..	..
Nut - - - - -	55481	..	8	..	..	..	..	..	8	..	..	..	..
Nut - - - - -	510855	..	..	8	8	8	..	..	..	8	8	..	..
Nut - - - - -	500524	..	..	..	..	..	8	..	..	..	..	8	8
Lockwasher - - - - -	120384	8	..	..	..	..	..	8	..	..	..	..	..
Lockwasher - - - - -	138479	..	8	..	..	..	..	..	8	..	..	..	..
Lockwasher - - - - -	121574	..	..	8	8	8	..	..	..	8	8	..	..
Lockwasher - - - - -	131046	..	..	..	..	..	8	..	..	..	..	8	8
<b>Rear Spring Clip Plate</b>													
Assy. - right - with stud - - - - -	1271828	1	..	..	..	..	..	1	..	..	..	..	..
Assy. - left - with stud - - - - -	1271829	1	..	..	..	..	..	1	..	..	..	..	..
Plate - - - - -	915729	..	2	..	..	..	..	..	2	..	..	..	..
Plate - - - - -	591736	..	..	2	2	..	..	..	..	2	..	..	..
Plate - - - - -	1193766	..	..	..	..	2	..	..	..	..	2	..	..

Indicates amount used as required.

† Indicates parts included in packages.

GROUP 17 - SPRINGS

17-8

PART NAME	PART NO.	MODEL CODES											
		DG AND FO					DH AND FP						
		1	2	3	4	5	6	1	2	4	5	6	7
<b>GROUP 17-I REAR SPRING CLIP - CLIP PLATE - CLIP SEAT - (CONT'D)</b>													
<b>Rear Spring Clip Plate - (Cont'd)</b>													
Plate - - - - -	1193767	..	..	..	..	..	2	..	..	..	..	2	..
Plate - with square type timken axle - - -	1190850	..	..	..	..	..	2	..	..	..	..	..	..
Plate - - - - -	1274718	..	..	..	..	..	..	..	..	..	..	..	2
<b>Rear Spring Clip Seat</b>													
Seat - - - - -	1189931	..	..	2	2	2	..	..	..	2	2	..	..
Seat - - - - -	1092741	..	..	..	..	..	2	..	..	..	..	2	..
Seat - with square type timken axle - - -	1191099	..	..	..	..	..	2	..	..	..	..	..	..
Seat - single speed axle - - - - -	1274717	..	..	..	..	..	..	..	..	..	..	..	2
Seat - 2 speed axle - - - - -	1191099	..	..	..	..	..	..	..	..	..	..	..	2
<b>GROUP 17-J REAR SPRING AXLE BUMPER</b>													
<b>Rear Spring Axle Bumper</b>													
Assy. - - - - -	924161	2	..	..	..	..	..	2	..	..	..	..	..
Assy. - - - - -	1137824	..	2	..	..	..	..	..	2	..	..	..	..
Assy. - with 1272662 rear spring - - - - -	574804	..	2	..	..	..	..	..	..	..	..	..	..
Assy. - - - - -	575431	..	..	2	2	2	..	..	..	..	..	..	..
Assy. - 128" W.B. - - - - -	502991	..	..	..	..	..	2	..	..	..	..	2	2
Assy. - except 128" W.B. - - - - -	575431	..	..	..	..	..	2	..	..	..	..	2	2
Housing - - - - -	564706	..	..	2	2	..	..	..	..	..	..	..	..
Housing - with 1190596 rear spring - - -	568156	..	..	..	2	..	..	..	..	..	..	..	..
Housing - with 1190597-1190605 rear spring	565215	..	..	..	2	..	2	..	..	..	..	..	..
Housing - Note 1 - - - - -	564706	..	..	..	..	2	..	..	..	..	..	..	..
Housing - Note 2 - - - - -	565215	..	..	..	..	2	..	..	..	..	2	..	..
Housing - - - - -	564706	..	..	..	..	..	2	..	..	..	..	2	2
Bolt - - - - -	121661	4	..	..	..	..	..	4	..	..	..	..	..
Bolt - - - - -	120741	..	4	..	..	..	..	..	4	..	..	..	..
Bolt - - - - -	123774	..	..	4	4	..	..	..	..	4	..	..	..
Bolt - Note 1 - - - - -	123774	..	..	..	..	4	..	..	..	..	..	..	..
Bolt - Note 2 - - - - -	121661	..	..	..	..	4	..	..	..	..	4	..	..
Bolt - except 128" W.B. - - - - -	123774	..	..	..	..	4	..	..	..	..	..	4	4
Bolt - 128" W.B. - - - - -	120231	..	..	..	..	..	4	..	..	..	..	4	4
Nut - - - - -	120368	4	4	4	4	4	4	4	4	4	4	..	..
Nut - - - - -	120376	..	..	..	..	..	..	..	..	..	..	4	4
Lockwasher - - - - -	120214	4	4	4	4	4	4	4	4	4	4	4	4
<b>GROUP 17-K SHOCK ABSORBER</b>													
<b>Front Shock Absorber</b>													
Package - - - - -	1321268	2	2	..	..	..	..	2	2	..	..	..	..
Package - 1 3/8" export - - - - -	1450059	2	2	..	..	..	..	2	2	..	..	..	..
Package - 1 3/8" Note 3 - - - - -	1450061	..	..	2	2	2	2	..	..	..	..	..	..
Package - 1 3/8" Note 4 - - - - -	1450105	..	..	2	2	2	2	..	..	2	2	2	2
Nut - mounting - - - - -	126016	4	4	4	4	4	4	4	4	4	4	4	4
Bushing - pivot - - - - -	1319902	4	4	..	..	..	..	4	4	..	..	..	..
Washer - outer - - - - -	1319554	4	4	..	..	..	..	4	4	..	..	..	..
Wahser - inner - - - - -	1319555	4	4	..	..	..	..	4	4	..	..	..	..
Bracket - frame - right - - - - -	1271962	1	1	..	..	..	..	1	1	..	..	..	..
Bracket - frame - left - - - - -	1271963	1	1	..	..	..	..	1	1	..	..	..	..
Bolt - long - - - - -	561595	2	2	..	..	..	..	2	2	..	..	..	..
Bolt - short - - - - -	123841	2	2	..	..	..	..	2	2	..	..	..	..
Nut - - - - -	120370	4	4	..	..	..	..	4	4	..	..	..	..
Plainwasher - - - - -	120395	4	4	..	..	..	..	4	4	..	..	..	..
Lockwasher - - - - -	120383	4	4	..	..	..	..	4	4	..	..	..	..
Stud - axle - - - - -	1271961	2	2	..	..	..	..	2	2	..	..	..	..
Nut - - - - -	669990	2	2	..	..	..	..	2	2	..	..	..	..
Bushing - - - - -	1319902	..	..	4	4	4	4	..	..	4	4	4	4
Washer - outer - - - - -	1319554	..	..	4	4	4	4	..	..	4	4	4	4
Washer - inner - - - - -	1319555	..	..	4	4	4	4	..	..	4	4	4	4
Stud - brkt. anchor - - - - -	1272724	..	..	2	2	2	2	..	..	2	2	2	2
Nut - - - - -	124645	..	..	2	2	2	2	..	..	2	2	2	2
Lockwasher - - - - -	131046	..	..	2	2	2	2	..	..	2	2	2	2
Bracket - frame - Note 3 - - - - -	930078	..	..	2	2	2	2	..	..	..	..	..	..
Bolt - - - - -	124244	..	..	6	6	6	6	..	..	..	..	..	..
Nut - - - - -	1090636	..	..	6	6	6	6	..	..	..	..	..	..

Indicates amount used as required.

† Indicates parts included in packages.

GROUP 17 - SPRINGS

PART NAME	PART NO.	MODEL CODES											
		DG AND FO					DH AND FP						
		1	2	3	4	5	6	1	2	4	5	6	7
<b>GROUP 17-K SHOCK ABSORBER (CONT'D)</b>													
<b>Front Shock Absorber (cont'd)</b>													
Stud - frame anchor - note 4	1393288	..	..	2	2	2	2	..	..	2	2	2	2
Washer	1393289	..	..	4	4	4	4	..	..	4	4	4	4
Nut	128180	..	..	2	2	2	2	..	..	2	2	2	2
Lockwasher	131046	..	..	2	2	2	2	..	..	2	2	2	2
Bracket - axle - right - note 3	1196446	..	..	1	1	1	1	..	..	..	..	..	..
Bracket - axle - left - note 3	1196447	..	..	1	1	1	1	..	..	..	..	..	..
Bracket - axle - right - note 4	1260870	..	..	1	1	1	1	..	..	1	1	1	1
Bracket - axle - left - note 4	1260871	..	..	1	1	1	1	..	..	1	1	1	1
Stud	1272724	..	..	2	2	2	2	..	..	2	2	2	2
Nut	124645	..	..	2	2	2	2	..	..	2	2	2	2
Lockwasher	131046	..	..	2	2	2	2	..	..	2	2	2	2
<b>Rear Shock Absorber</b>													
Package	1321268	2	2	..	..	..	..	2	2	..	..	..	..
Package - 1 3/8" export	1450060	2	2	..	..	..	..	..	..	..	..	..	..
Package - 1 3/8" export	1450065	..	..	..	..	..	..	2	2	..	..	..	..
Package - 1 3/8" 192" - 212" W.B.	1450062	..	..	..	2	..	2	..	..	..	..	..	..
Package - 1 3/8"	1450061	..	..	2	2	2	2	..	..	2	2	..	..
Pivot stud - upper	1271821	2	2	..	..	..	..	2	2	..	..	..	..
Pivot stud - lower	1271822	2	2	..	..	..	..	2	2	..	..	..	..
Pivot stud - lower - export	1271823	2	2	..	..	..	..	2	2	..	..	..	..
Nut	125250	8	8	..	..	..	..	8	8	..	..	..	..
Bushing	1319902	4	4	..	..	..	..	4	4	..	..	..	..
Washer - outer - upper	1319554	2	2	..	..	..	..	2	2	..	..	..	..
Washer - inner - upper	1319555	2	2	..	..	..	..	2	2	..	..	..	..
Washer - outer - lower	1319554	2	2	..	..	..	..	2	2	..	..	..	..
Washer - inner - lower	1271824	2	..	..	..	..	..	2	..	..	..	..	..
Washer - inner - lower	1271835	..	2	..	..	..	..	..	2	..	..	..	..
Bracket - frame - right	1271808	1	1	..	..	..	..	1	1	..	..	..	..
Bracket - frame - left	1271809	1	1	..	..	..	..	1	1	..	..	..	..
Bolt	120647	4	4	..	..	..	..	4	4	..	..	..	..
Nut	120369	2	2	..	..	..	..	2	2	..	..	..	..
Lockwasher	120382	4	4	..	..	..	..	4	4	..	..	..	..
Spacer	581519	2	2	..	..	..	..	2	2	..	..	..	..
Rivet	104085	2	2	..	..	..	..	2	2	..	..	..	..
Screw	120228	4	4	..	..	..	..	4	4	..	..	..	..
Bracket - frame	1262778	..	..	2	2	2	2	..	..	2	2	..	..
Bolt	124206	..	..	6	6	6	6	..	..	6	6	..	..
Nut	124634	..	..	6	6	6	6	..	..	6	6	..	..
Nut - note "Z"	669990	..	..	..	..	..	6	..	..	..	..	..	..
Lockwasher	120898	..	..	6	6	6	6	..	..	6	6	..	..
Anchor stud	1272724	..	..	4	4	4	4	..	..	4	4	..	..
Nut	124645	..	..	4	4	4	4	..	..	4	4	..	..
Lockwasher	131046	..	..	4	4	4	4	..	..	4	4	..	..
Nut - mounting	125250	..	..	4	4	4	4	..	..	4	4	..	..
Bushing	1319902	..	..	4	4	4	4	..	..	4	4	..	..
Washer - outer	1319554	..	..	4	4	4	4	..	..	4	4	..	..
Washer - inner	1319555	..	..	4	4	4	4	..	..	4	4	..	..
Clip plate - right	915732	..	1	..	..	..	..	..	1	..	..	..	..
Clip plate - left	915733	..	1	..	..	..	..	..	1	..	..	..	..
Clip plate - right - hypoid axle	1196577	..	..	1	1	..	..	..	..	1	..	..	..
Clip plate - left - hypoid axle	1196576	..	..	1	1	..	..	..	..	1	..	..	..
Clip plate - right - timken axle	1260701	..	..	1	1	..	..	..	..	1	..	..	..
Clip plate - left - timken axle	1260700	..	..	1	1	..	..	..	..	1	..	..	..
Clip plate - right	1260701	..	..	..	..	1	..	..	..	..	1	..	..
Clip plate - left	1260700	..	..	..	..	1	..	..	..	..	1	..	..
Clip plate - right - hypoid and note "Y"	1196649	..	..	..	..	..	1	..	..	..	..	..	..
Clip plate - left - hypoid and note "Y"	1196648	..	..	..	..	..	1	..	..	..	..	..	..
Clip plate - right - note "Z"	1192838	..	..	..	..	..	1	..	..	..	..	..	..
Clip plate - left - note "Z"	1192839	..	..	..	..	..	1	..	..	..	..	..	..
<b>Shock Absorber Fluid</b>													
Pint - imperial	780036	*	*	*	*	*	*	*	*	*	*	..	..
Quart - imperial	780037	*	*	*	*	*	*	*	*	*	*	..	..
Gallon - imperial	780038	*	*	*	*	*	*	*	*	*	*	..	..

Indicates amount used as required.

† Indicates parts included in packages.

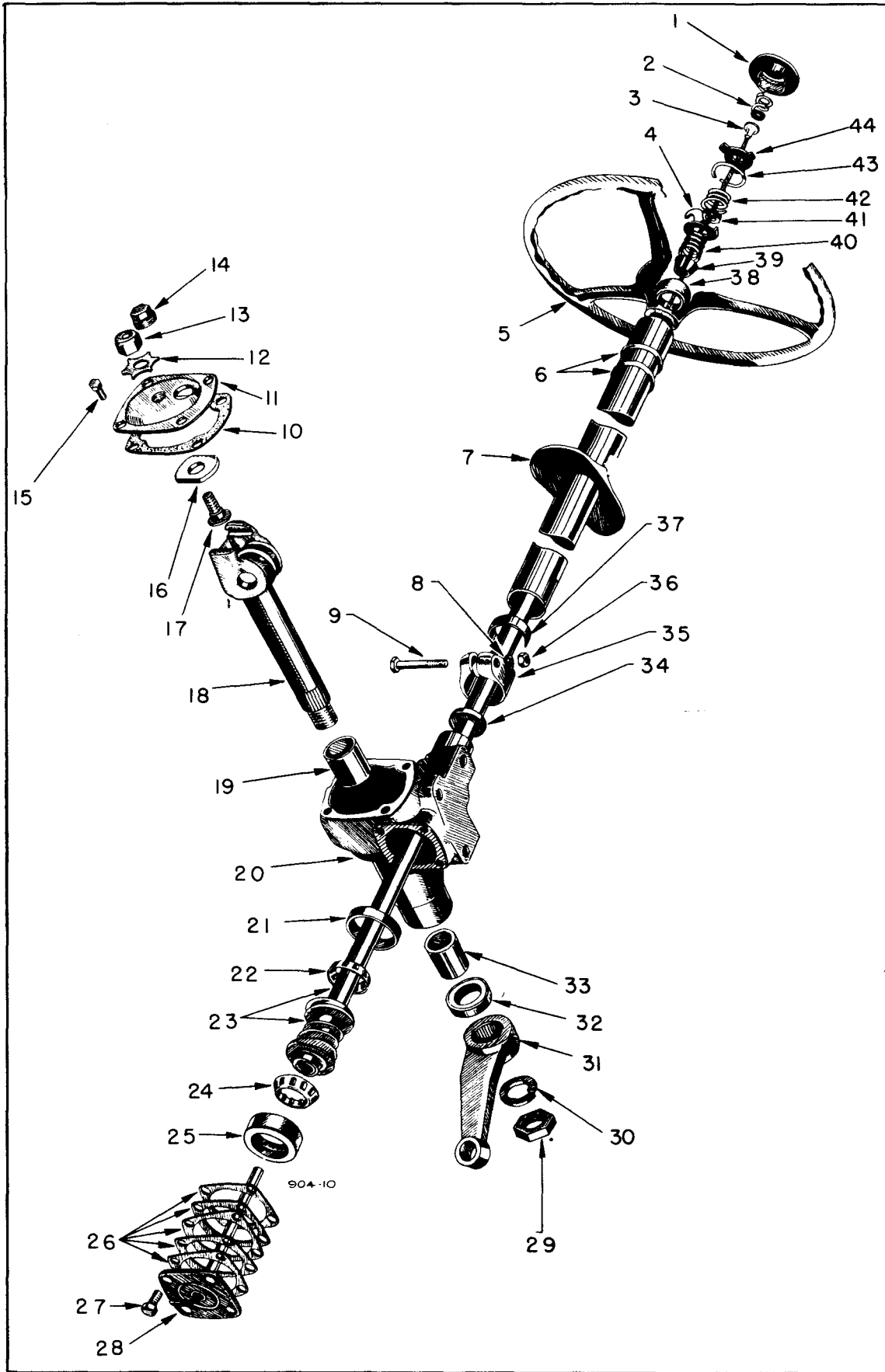
See WM-4217 - 1940-47 Truck Master Parts Book  
For Standard Parts Specifications

**STANDARD PARTS**

Standard Parts, such as Bolts, Nuts, Screws,  
Rivets, Plainwashers, Lockwashers, etc., are  
listed in this Parts List immediately under  
the part which they attach.

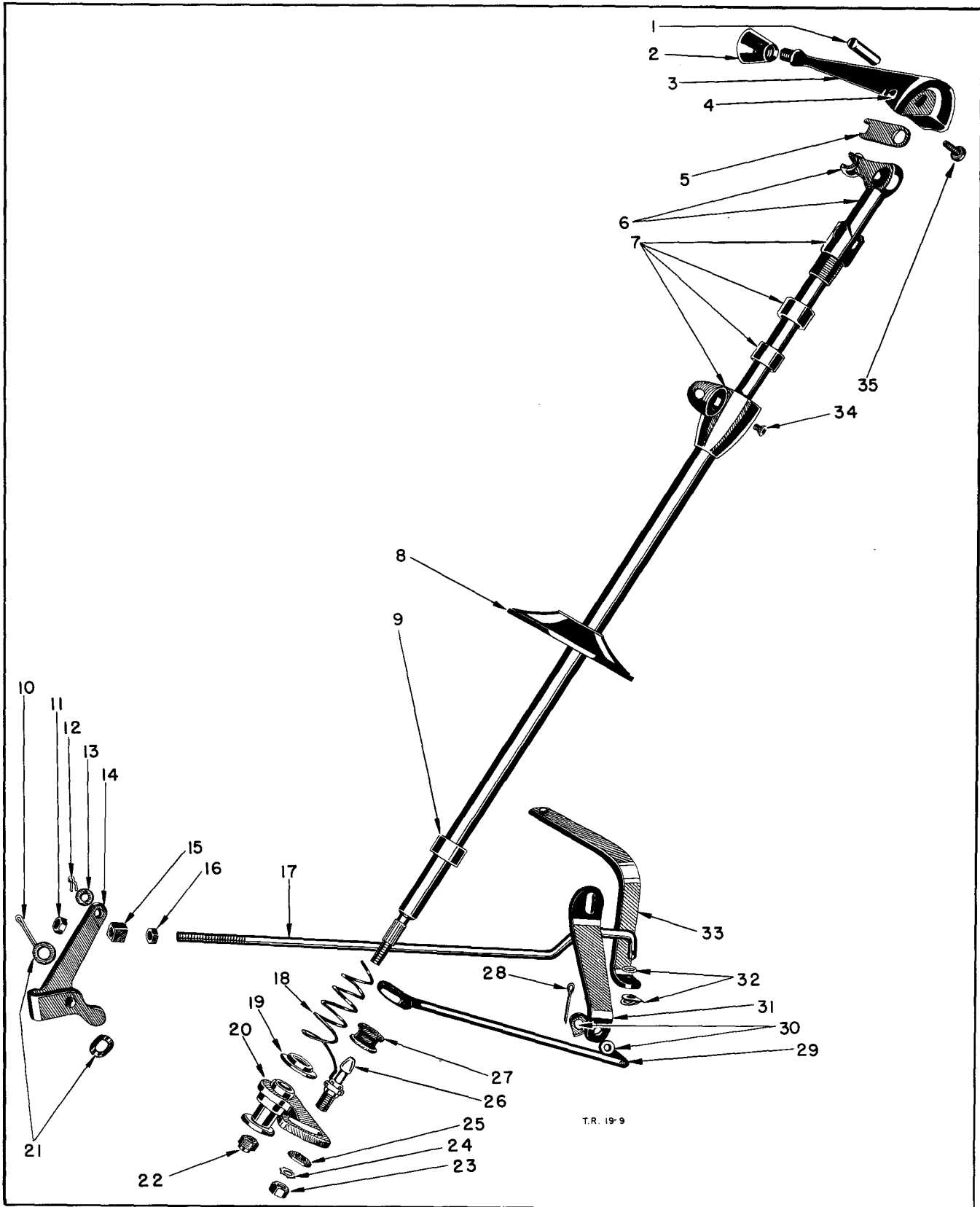
---







STEERING GEARSHIFT





**GROUP 19-STEERING**

PART NAME	PART NO.	MODEL CODES													
		DG AND FO						DH AND FP							
		1	2	3	4	5	6	1	2	4	5	6	7		
<b>GROUP 19-A STEERING GEAR</b>															
<b>Steering Gear</b>															
Chuck assy - L.H.D.- - - - -	1271924	1	1	..	..	..	..	1	1	..	..	..	..	..	..
Chuck assy - R.H.D.- - - - -	1272978	1	1	..	..	..	..	1	1	..	..	..	..	..	..
Chuck assy - L.H.D.- - - - -	1271562	..	..	1	1	1	1	..	..	1	1	1	1	1	1
Chuck assy - R.H.D. - except flat face cowl.	1264791	..	..	1	1	1	1	..	..	..	..	..	..	..	..
Chuck assy - R.H.D. - flat face cowl - - -	1264794	..	..	1	1	1	1	..	..	..	..	..	..	..	..
Chuck assy - R.H.D.- - - - -	1394174	..	..	..	..	..	..	..	..	1	1	1	1	1	..
Screw - to frame - L.H.D. - - - - -	1270500	3	3	..	..	..	..	3	3	..	..	..	..	..	..
Bolt - to frame - - - - -	123852	3	3	..	..	..	..	3	3	..	..	..	..	..	..
Nut- - - - -	120370	3	3	..	..	..	..	3	3	..	..	..	..	..	..
Lockwasher - - - - -	120383	3	3	..	..	..	..	3	3	..	..	..	..	..	..
Plainwasher - - - - -	79783	3	3	..	..	..	..	3	3	..	..	..	..	..	..
Screw - to frame - L.H.D. - - - - -	100168	..	..	3	3	3	3	..	..	3	3	3	3	3	3
Screw - to frame - R.H.D. - - - - -	122446	..	..	3	3	3	3	..	..	3	3	3	3	3	..
Lockwasher - - - - -	120384	..	..	3	3	3	3	..	..	3	3	3	3	3	3
Plainwasher - L.H.D. - - - - -	120390	..	..	3	3	3	3	..	..	3	3	3	3	3	3
Plainwasher - R.H.D. - - - - -	494153	..	..	3	3	3	3	..	..	3	3	3	3	3	..
<b>GROUP 19-B STEERING GEAR HOUSING</b>															
<b>Steering Gear Housing</b>															
Assy - L.H.D.- - - - -	1271933	1	1	..	..	..	..	1	1	..	..	..	..	..	..
Assy - R.H.D.- - - - -	1264428	1	1	..	..	..	..	1	1	..	..	..	..	..	..
Assy - L.H.D.- - - - -	1271570	..	..	1	1	1	1	..	..	1	1	1	1	1	1
Assy - R.H.D.- - - - -	1264799	..	..	1	1	1	1	..	..	..	..	..	..	..	..
Assy - R.H.D.- - - - -	1394179	..	..	..	..	..	..	..	..	1	1	1	1	1	..
Bushing - - - - -	582880	2	2	..	..	..	..	2	2	..	..	..	..	..	..
Bushing - - - - -	1188651	..	..	2	2	2	2	..	..	2	2	2	2	2	2
Cap - - - - -	1092193	1	1	..	..	..	..	1	1	..	..	..	..	..	..
Cover - lower - - - - -	1189861	..	..	1	1	1	1	..	..	1	1	1	1	1	1
Shim - .005- - - - -	618308	*	*	..	..	..	..	*	*	..	..	..	..	..	..
Shim - .010- - - - -	618307	*	*	..	..	..	..	*	*	..	..	..	..	..	..
Shim - .003- - - - -	1188675	..	..	*	*	*	*	..	..	*	*	*	*	*	*
Shim - .006- - - - -	620180	..	..	*	*	*	*	..	..	*	*	*	*	*	*
Shim - .011- - - - -	620181	..	..	*	*	*	*	..	..	*	*	*	*	*	*
Screw - cap- - - - -	1188668	4	4	..	..	..	..	4	4	..	..	..	..	..	..
Screw - cover- - - - -	1188669	..	..	4	4	4	4	..	..	4	4	4	4	4	4
Cover - side- - - - -	683854	1	1	..	..	..	..	1	1	..	..	..	..	..	..
Cover - side - L.H.D. - - - - -	868254	..	..	1	1	1	1	..	..	..	..	..	..	..	..
Cover - side - R.H.D. - - - - -	1196161	..	..	1	1	1	1	..	..	..	..	..	..	..	..
Cover - side- - - - -	868254	..	..	..	..	..	..	..	..	1	1	1	1	1	1
Gasket - - - - -	682875	1	1	..	..	..	..	1	1	..	..	..	..	..	..
Gasket - L.H.D.- - - - -	1271347	..	..	1	1	1	1	..	..	..	..	..	..	..	..
Gasket - R.H.D.- - - - -	1188667	..	..	1	1	1	1	..	..	..	..	..	..	..	..
Gasket - - - - -	1271347	..	..	..	..	..	..	..	..	1	1	1	1	1	1
Screw- - - - -	1188668	4	4	4	4	4	4	4	4	4	4	4	4	4	4
Plug - oil filler - - - - -	386718	1	1	1	1	1	1	1	1	1	1	1	1	1	1
Screw - to frame brkt.- - - - -	122267	..	..	4	4	4	4	..	..	4	4	4	4	4	4
Lockwasher - - - - -	120383	..	..	4	4	4	4	..	..	4	4	4	4	4	4
<b>GROUP 19-C STEERING GEAR BRACKET - CROSS BAR</b>															
<b>Steering Gear Bracket</b>															
Bracket - Housing - R.H.D. - - - - -	1272087	1	1	..	..	..	..	1	1	..	..	..	..	..	..
Bracket - frame - R.H.D. - - - - -	1196170	..	..	1	1	1	1	..	..	1	1	1	1	1	..
Screw - - - - -	122267	3	3	4	4	4	4	3	3	4	4	4	4	4	..
Lockwasher - - - - -	120383	3	3	4	4	4	4	3	3	4	4	4	4	4	..
<b>Steering Gear Cross Bar</b>															
Cross bar - L.H.D. - - - - -	1264788	..	..	1	1	1	1	..	..	1	1	1	1	1	1
Cross bar - R.H.D. - - - - -	1264801	..	..	1	1	1	1	..	..	1	1	1	1	1	..

Indicates amount used as required.

† Indicates parts included in packages.

**GROUP 19-STEERING**

PART NAME	PART NO.	MODEL CODES											
		DG AND FO					DH AND FP						
		1	2	3	4	5	6	1	2	4	5	6	7
<b>GROUP 19-C STEERING GEAR BRACKET - CROSS BAR (Cont'd)</b>													
<b>Steering Gear Cross Bar (Cont'd)</b>													
Nut -to frame-	121358	..	..	2	2	2	2	..	..	2	2	2	2
Lockwasher-	121574	..	..	1	1	1	1	..	..	1	1	1	1
Clamp - to Hsg. - L.H.D.	1272482	..	..	1	1	1	1	..	..	..	..	..	..
Clamp - to Hsg. - R.H.D.	1264840	..	..	1	1	1	1	..	..	..	..	..	..
Clamp - to Hsg.	1272482	..	..	..	..	..	..	..	..	1	1	1	1
Bolt-	1264841	..	..	1	1	1	1	..	..	1	1	1	1
Nut -	121358	..	..	1	1	1	1	..	..	1	1	1	1
Lockwasher-	121574	..	..	1	1	1	1	..	..	1	1	1	1
Reinforcement - inner - frame-	1267566	..	..	1	1	1	1	..	..	1	1	1	1
Reinforcement - outer - frame-	1267567	..	..	1	1	1	1	..	..	1	1	1	1
<b>GROUP 19-D STEERING GEAR ARM</b>													
<b>Steering Gear Arm</b>													
Arm -	1272083	1	1	..	..	..	..	1	1	..	..	..	..
Arm - L.H.D.-	1194936	..	..	1	1	..	..	..	..	1	..	..	..
Arm - L.H.D.-	1194937	..	..	..	..	1	1	..	..	..	1	1	1
Arm - R.H.D.-	1195888	..	..	1	1	..	..	..	..	..	..	..	..
Arm - R.H.D.-	1196075	..	..	..	..	1	1	..	..	..	..	..	..
Arm - R.H.D.-	1394177	..	..	..	..	..	..	..	..	1	..	..	..
Arm - R.H.D.-	1394178	..	..	..	..	..	..	..	..	..	1	1	..
Nut-	1392770	1	1	1	1	1	1	1	1	1	1	1	1
Lockwasher-	52855	1	1	1	1	1	1	1	1	1	1	1	1
<b>GROUP 19-E STEERING COLUMN JACKET</b>													
<b>Steering Column Jacket</b>													
Assy - with bearing - L.H.D.-	1271834	1	1	..	..	..	..	1	1	..	..	..	..
Assy - with bearing - R.H.D.-	1272079	1	1	..	..	..	..	1	1	..	..	..	..
Assy - with bearing - R.H.D. - flat face cowl	1188683	..	..	1	1	1	1	..	..	..	..	..	..
Assy - with bearing - with 4 speed trans. -	1262785	..	1	..	..	..	..	..	1	..	..	..	..
Assy - with bearing	1262785	..	..	1	1	1	1	..	..	1	1	1	1
Bearing assy -	1188659	1	1	1	1	1	1	1	1	1	1	1	1
Spring-	1189247	1	1	..	..	..	..	1	1	..	..	..	..
Spring-	1188660	..	..	1	1	1	1	..	..	1	1	1	1
Spacer-	1189246	1	1	..	..	..	..	1	1	..	..	..	..
Spacer-	1188661	..	..	1	1	1	1	..	..	1	1	1	1
Clamp-	386699	1	1	1	1	1	1	1	1	1	1	1	1
Bolt-	121783	1	1	1	1	1	1	1	1	1	1	1	1
Nut -	120368	1	1	1	1	1	1	1	1	1	1	1	1
Lockwasher-	120214	1	1	1	1	1	1	1	1	1	1	1	1
Cover - oil hole	386701	1	1	..	..	..	..	..	..	..	..	..	..
<b>GROUP 19-F STEERING TUBE AND WORM</b>													
<b>Steering Tube and Worm</b>													
Assy - L.H.D. -	1196118	1	1	..	..	..	..	1	1	..	..	..	..
Assy - R.H.D. -	1196119	1	1	..	..	..	..	1	1	..	..	..	..
Assy - L.H.D. -	1271578	..	..	1	1	1	1	..	..	1	1	1	1
Assy - R.H.D. except flat face cowl -	1196171	..	..	1	1	1	1	..	..	..	..	..	..
Assy - R.H.D. flat face cowl-	1262030	..	..	1	1	1	1	..	..	..	..	..	..
Assy - R.H.D. -	1272483	..	..	..	..	..	..	..	..	1	1	1	..
Dust washer-	1192696	1	1	..	..	..	..	1	1	..	..	..	..
Dust washer-	1192693	..	..	1	1	1	1	..	..	1	1	1	1
Cage and roller assy-	669077	2	2	..	..	..	..	2	2	..	..	..	..
Cage and roller assy - upper-	376749	..	..	1	1	1	1	..	..	1	1	1	1
Cage and roller assy - lower-	640086	..	..	1	1	1	1	..	..	1	1	1	1
Bearing cup - upper	618311	1	1	..	..	..	..	1	1	..	..	..	..
Bearing cup - lower	632685	1	1	..	..	..	..	1	1	..	..	..	..
Bearing cup - upper	376751	..	..	1	1	1	1	..	..	1	1	1	1
Bearing cup - lower	637539	..	..	1	1	1	1	..	..	1	1	1	1
Grease retaining tube assy-	618317	1	1	..	..	..	..	1	1	..	..	..	..

Indicates amount used as required.

† Indicates parts included in packages.

**GROUP 19-STEERING**

PART NAME	PART NO.	MODEL CODES											
		DG AND FO					DH AND FP						
		1	2	3	4	5	6	1	2	4	5	6	7
<b>GROUP 19-F STEERING TUBE AND WORM (Cont'd)</b>													
<b>Steering Tube and Worm (Cont'd)</b>													
Grease retaining tube assy- - - - -	918358	..	..	1	1	1	1	..	..	1	1	1	1
<b>GROUP 19-G STEERING GEAR SHAFT</b>													
<b>Steering Gear Shaft</b>													
Assy - L.H.D. - - - - -	1196109	1	1	..	..	..	..	1	1	1	..	..	..
Assy - R.H.D. - - - - -	1196104	1	1	..	..	..	..	1	1	..	..	..	..
Assy - L.H.D. - - - - -	1271583	..	..	1	1	1	1	..	..	1	1	1	1
Shaft - R.H.D. - - - - -	1196167	..	..	1	1	1	1	..	..	..	..	..	..
Assy - R.H.D. - - - - -	1394181	..	..	..	..	..	..	..	..	..	1	1	..
Screw - adjusting- - - - -	682905	1	1	..	..	..	..	1	1	1	1	1	1
Screw - adjusting - L.H.D. - - - - -	682905	..	..	1	1	1	1	..	..	..	..	..	..
Screw - adjusting - R.H.D. - - - - -	1188652	..	..	1	1	1	1	..	..	..	..	..	..
Nut- - - - -	682906	1	1	..	..	..	..	1	1	1	1	1	1
Nut - L.H.D. - - - - -	682906	..	..	1	1	1	1	..	..	..	..	..	..
Nut - R.H.D. - - - - -	1188655	..	..	1	1	1	1	..	..	..	..	..	..
Lock plate - - - - -	682907	1	1	..	..	..	..	1	1	1	1	1	1
Lock plate - L.H.D.- - - - -	682907	..	..	1	1	1	1	..	..	..	..	..	..
Lock plate - R.H.D.- - - - -	1188653	..	..	1	1	1	1	..	..	..	..	..	..
Thrust washer- - - - -	682904	1	1	..	..	..	..	1	1	..	..	..	..
Thrust washer - L.H.D. - - - - -	1123311	..	..	1	1	1	1	..	..	..	..	..	..
Thrust washer - R.H.D. - - - - -	1188654	..	..	1	1	1	1	..	..	..	..	..	..
Thrust washer- - - - -	1123311	..	..	..	..	..	..	..	..	1	1	1	1
Oil seal - - - - -	1138282	..	1	..	..	..	..	1	1	..	..	..	..
Oil seal - - - - -	1138281	..	..	1	1	1	1	..	..	1	1	1	1
Collar - strg. post - - - - -	1273203	1	1	..	..	..	..	1	1	..	..	..	..
Collar - strg. post - 4 speed trans.- - - - -	590435	..	1	..	..	..	..	..	1	..	..	..	..
Collar - strg. post - - - - -	590435	..	..	1	1	1	1	..	..	1	1	1	1
<b>GROUP 19-H STEERING WHEEL - HORN BUTTON</b>													
<b>Steering Wheel</b>													
Assy- - - - -	1272165	1	1	..	..	..	..	1	1	..	..	..	..
Assy- - - - -	1272166	..	..	1	1	1	1	..	..	1	1	1	1
Nut- - - - -	145013	1	1	..	..	..	..	1	1	..	..	..	..
Nut- - - - -	852414	..	..	1	1	1	1	..	..	1	1	1	1
<b>Horn Button</b>													
Assy- - - - -	1272412	1	1	..	..	..	..	1	1	..	..	..	..
Assy - less horn ring - - - - -	590213	..	..	1	1	1	1	..	..	..	..	..	..
Assy - with horn ring - - - - -	1272412	..	..	1	1	1	1	..	..	..	..	..	..
Assy-x-x-x- - - - -	590213	..	..	..	..	..	..	..	..	1	1	1	1
Retainer plate - upper - - - - -	669811	1	1	1	1	1	1	1	1	1	1	1	1
Retainer plate - lower - - - - -	657953	1	1	..	..	..	..	1	1	..	..	..	..
Retainer plate - lower - - - - -	1260913	..	..	1	1	1	1	..	..	1	1	1	1
Spring - less horn ring - - - - -	657954	..	..	1	1	1	1	..	..	..	..	..	..
Spring - with horn ring - - - - -	1390694	1	1	1	1	1	1	1	1	..	..	..	..
Spring- - - - -	657954	..	..	..	..	..	..	..	..	1	1	1	1
Spring and base assy - less horn ring- - - - -	681402	..	..	1	1	1	1	..	..	..	..	..	..
Spring and base assy - with horn ring- - - - -	1390747	1	1	1	1	1	1	1	1	..	..	..	..
Spring and base assy - - - - -	681402	..	..	..	..	..	..	..	..	1	1	1	1
Ring - horn blowing- - - - -	1272411	1	1	1	1	1	1	1	1	..	..	..	..
Screw - - - - -	133432	3	3	3	3	3	3	3	3	..	..	..	..
Lockwasher- - - - -	114612	3	3	3	3	3	3	3	3	..	..	..	..
Cable - service by the foot- - - - -	665156	*	*	*	*	*	*	*	*	*	*	*	*
Contact - - - - -	611897	1	1	1	1	1	1	1	1	1	1	1	1
Insulator - - - - -	657484	1	1	1	1	1	1	1	1	1	1	1	1

Indicates amount used as required.

† Indicates parts included in packages.

**GROUP 19-STEERING**

PART NAME	PART NO.	MODEL CODES											
		DG AND FO					DH AND FP						
		1	2	3	4	5	6	1	2	4	5	6	7
<b>GROUP 19-I STEERING GEAR REMOTE CONTROL GEARSHIFT</b>													
<b>Steering Gear Remote Control Gearshift Lever</b>													
Assy- - - - -	1121775	1	1	..	..	..	..	1	1	..	..	..	..
Pin- - - - -	856842	1	1	..	..	..	..	1	1	..	..	..	..
Knob - - - - -	1199416	1	1	..	..	..	..	1	1	..	..	..	..
Spring - anti - rattle - - - - -	953144	1	1	..	..	..	..	1	1	..	..	..	..
Bearing- - - - -	859196	1	1	..	..	..	..	1	1	..	..	..	..
Screw - - - - -	859197	1	1	..	..	..	..	1	1	..	..	..	..
Lockwasher- - - - -	121753	1	1	..	..	..	..	1	1	..	..	..	..
<b>Steering Gear Gearshift Rod</b>													
Rod - - - - -	1268562	1	1	..	..	..	..	1	1	..	..	..	..
Bracket assy - - - - -	1264427	1	1	..	..	..	..	1	1	..	..	..	..
Bushing - - - - -	1142539	2	2	..	..	..	..	2	2	..	..	..	..
Screw - - - - -	157391	2	2	..	..	..	..	2	2	..	..	..	..
Return spring- - - - -	1139634	1	1	..	..	..	..	1	1	..	..	..	..
Seat- - - - -	1140323	1	1	..	..	..	..	1	1	..	..	..	..
Nut - rod end- - - - -	442828	1	1	..	..	..	..	1	1	..	..	..	..
Lever assy - - - - -	1271925	1	1	..	..	..	..	1	1	..	..	..	..
<b>Steering Gear Gearshift Selector Lever and Rod</b>													
Lever - L.H.D.- - - - -	1272939	1	1	..	..	..	..	1	1	..	..	..	..
Lever - R.H.D.- - - - -	1272953	1	1	..	..	..	..	1	1	..	..	..	..
Washer - stud- - - - -	389070	1	1	..	..	..	..	1	1	..	..	..	..
Plainwasher- - - - -	120394	1	1	..	..	..	..	1	1	..	..	..	..
Cotter Pin - - - - -	103373	1	1	..	..	..	..	1	1	..	..	..	..
Rod - L.H.D. - with fluid drive - - - - -	1273745	1	1	..	..	..	..	..	..	..	..	..	..
Rod - R.H.D. - with fluid drive - - - - -	1271900	1	1	..	..	..	..	..	..	..	..	..	..
Rod - L.H.D. -less fluid drive - - - - -	1271868	1	1	..	..	..	..	..	..	..	..	..	..
Rod - R.H.D. - less fluid drive - - - - -	1272086	1	1	..	..	..	..	..	..	..	..	..	..
Rod - L.H.D.- - - - -	1271868	..	..	..	..	..	..	1	1	..	..	..	..
Rod - R.H.D.- - - - -	1272086	..	..	..	..	..	..	1	1	..	..	..	..
Swivel - L.H.D.- - - - -	1392053	1	1	..	..	..	..	1	1	..	..	..	..
Swivel - R.H.D.- - - - -	1272164	1	1	..	..	..	..	1	1	..	..	..	..
Clip- - - - -	639174	1	1	..	..	..	..	1	1	..	..	..	..
Nut - - - - -	120368	2	2	..	..	..	..	1	1	..	..	..	..
Plainwasher - - - - -	627045	1	1	..	..	..	..	1	1	..	..	..	..
Springwasher- - - - -	1138734	1	1	..	..	..	..	1	1	..	..	..	..
Cotter Pin- - - - -	103373	1	1	..	..	..	..	1	1	..	..	..	..
<b>Steering Gear to Transmission Gearshift Rod</b>													
Rod - L.H.D. - with fluid drive - - - - -	1273744	1	1	..	..	..	..	..	..	..	..	..	..
Rod - R.H.D. - with fluid drive - - - - -	1271899	1	1	..	..	..	..	..	..	..	..	..	..
Rod - L.H.D. - less fluid drive - - - - -	1271867	1	1	..	..	..	..	..	..	..	..	..	..
Rod - R.H.D. - less fluid drive - - - - -	1272085	1	1	..	..	..	..	..	..	..	..	..	..
Rod - L.H.D.- - - - -	1502910	..	..	..	..	..	..	1	1	..	..	..	..
Rod - R.H.D.- - - - -	1272085	..	..	..	..	..	..	1	1	..	..	..	..
Stud - - - - -	866587	1	1	..	..	..	..	1	1	..	..	..	..
Bushing - - - - -	1136910	1	1	..	..	..	..	1	1	..	..	..	..
Nut - - - - -	120369	1	1	..	..	..	..	1	1	..	..	..	..
Plainwasher - - - - -	120394	1	1	..	..	..	..	1	1	..	..	..	..
Lockwasher- - - - -	138489	1	1	..	..	..	..	1	1	..	..	..	..
Washer - Plain - - - - -	627045	1	1	..	..	..	..	1	1	..	..	..	..
Washer - Spring- - - - -	1138734	1	1	..	..	..	..	1	1	..	..	..	..
Cotter- - - - -	103373	1	1	..	..	..	..	1	1	..	..	..	..

Indicates amount used as required.

† Indicates parts included in packages.



### GROUP 20 - TOOLS

PART NAME	PART NO.	MODEL CODES											
		DG AND FO					DH AND FP						
		1	2	3	4	5	6	1	2	4	5	6	7
<b>GROUP 20-A TOOLS</b>													
<b>Tools</b>													
Wrench - wheel- - - - -	1122602	1	..	..	..	..	..	1	..	..	..	..	..
Wrench - wheel- - - - -	1190093	..	1	..	..	..	..	..	1	..	..	..	..
Socket - wheel wrench	593011	..	..	1	1	1	1	..	..	1	1	1	1
Rim tool - - - - -	1196721	..	..	1	1	1	1	..	..	1	1	1	1
Jack assy - - - - -	830720	1	1	..	..	..	..	1	1	..	..	..	..
Handle - jack- - - - -	584441	1	1	..	..	..	..	1	1	..	..	..	..
Jack assy - - - - -	571265	..	..	1	1	1	1	..	..	1	1	1	1
Handle - jack- - - - -	571266	..	..	1	1	1	1	..	..	1	1	1	1
Starting crank assy - - - - -	1194241	1	1	1	1	1	1	1	1	1	1	1	1
Pin - crank- - - - -	112903	1	1	1	1	1	1	1	1	1	1	1	1

### NOTES:

---

---

---

---

---

---

---

---

---

---

---

---

---

---

---

---

---

---

---

---

---

---

---

---

---

---

---

Indicates amount used as required.

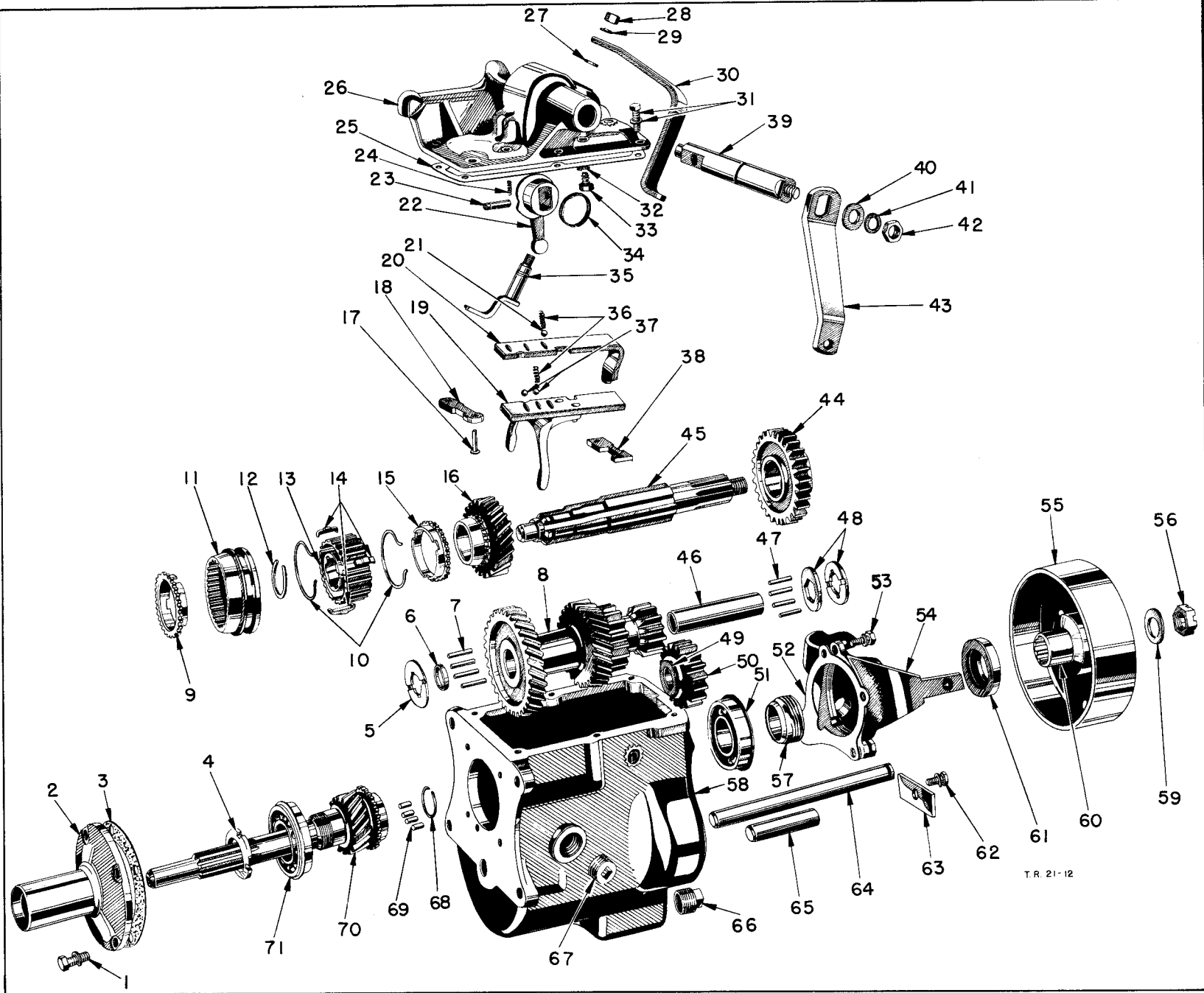
† Indicates parts included in packages.

**GROUP**

**21**

**TRANSMISSION**

TRANSMISSION - 3 SPEED



T.R. 21-12

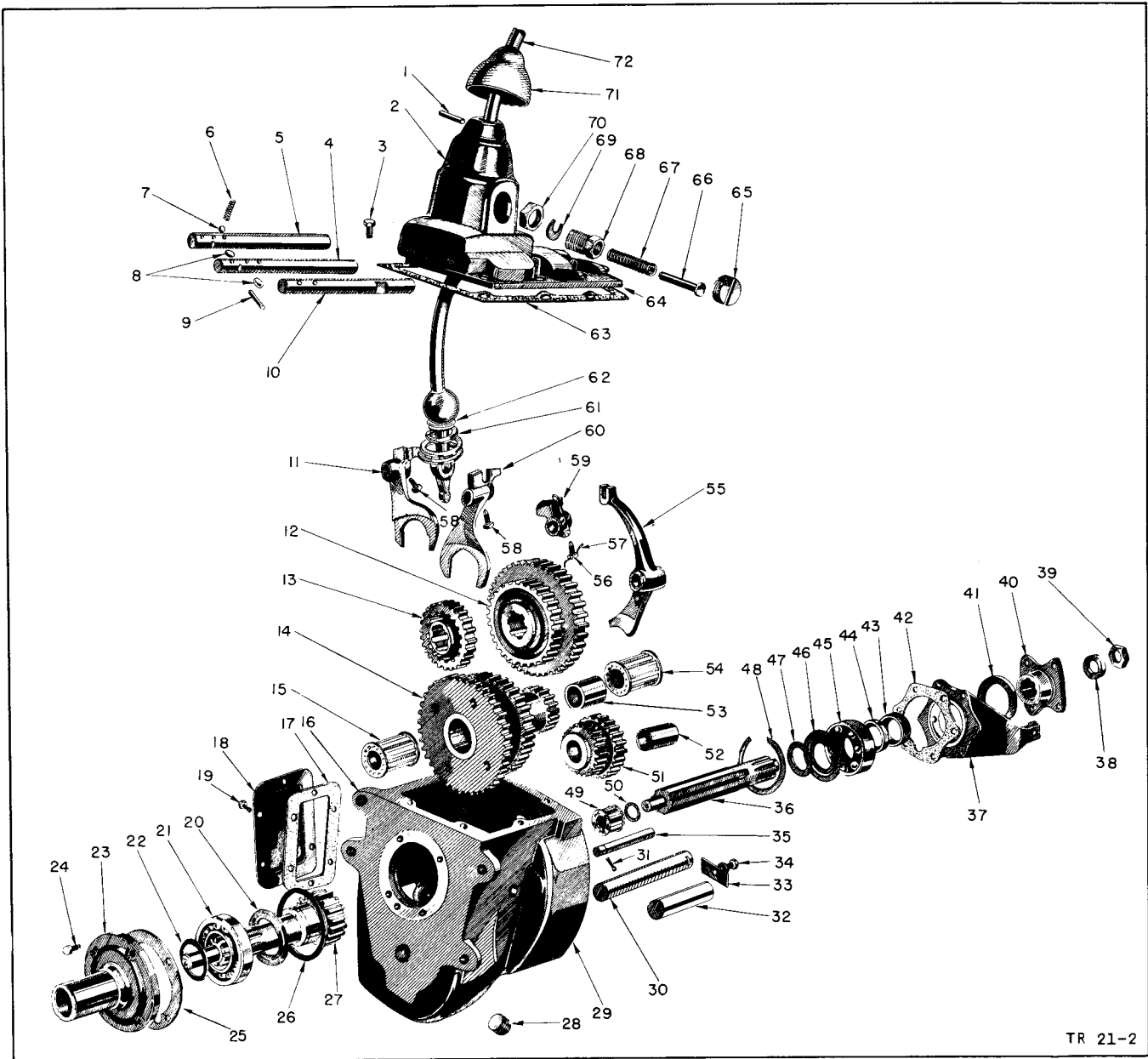
TRANSMISSION - 3 SPEED (Cont'd)

Plate 40 (Cont'd)

Ref. No.	Part Name	Group	Ref. No.	Part Name	Group
1	Pinion bearing retainer screw & washer .....	21-A	37	Rail interlock ball .....	21-B
2	Drive pinion bearing retainer .....	21-A	38	Gearshift rail retainer - rear .....	21-B
3	Drive pinion retainer gasket .....	21-A	39	Gearshift shaft .....	21-B
4	Drive pinion bearing lock nut .....	21-A	40	Gearshift outer lever plainwasher .....	21-B
5	Countershaft thrust washer .....	21-A	41	Gearshift outer lever lockwasher .....	21-B
6	Countershaft bearing spacer .....	21-A	42	Gearshift outer lever nut .....	21-B
7	Countershaft bearing .....	21-A	43	Gearshift outer lever .....	21-B
8	Countershaft gear .....	21-A	44	First and reverse gear .....	21-A
9	Synchronizer stop ring .....	21-A	45	Mainshaft .....	21-A
10	Synchronizer spring - in package .....	21-A	46	Countershaft bearing spacer .....	21-A
11	Clutch gear sleeve .....	21-A	47	Countershaft bearing .....	21-A
12	Clutch gear snap ring .....	21-A	48	Countershaft end washers .....	21-A
13	Clutch gear .....	21-A	49	Reverse idler gear bushing .....	21-A
14	Synchronizer shift plate .....	21-A	50	Reverse idler gear .....	21-A
15	Synchronizer stop ring .....	21-A	51	Mainshaft bearing .....	21-A
16	Second speed gear .....	21-A	52	Brake support gasket .....	21-A
17	Rail retainer rivet .....	21-B	53	Brake support screw and lockwasher .....	21-A
18	Gearshift rail retainer - front .....	21-B	54	Bearing retainer or brake support .....	21-A
19	Second and direct shift rail .....	21-B	55	Hand brake drum .....	4-A
20	First and reverse shift rail .....	21-B	56	Mainshaft flange nut .....	16-E
21	Rail selector ball .....	21-B	57	Speedometer drive gear .....	21-E
22	Gearshift lever - inner .....	21-B	58	Transmission case .....	21-A
23	Lever pin .....	21-B	59	Mainshaft flange nut washer .....	16-E
24	Lever return spring .....	21-B	60	Mainshaft flange .....	16-E
25	Gearshift housing gasket .....	21-B	61	Mainshaft bearing oil seal .....	21-A
26	Gearshift housing .....	21-B	62	Lockplate screw and lockwasher .....	21-A
27	Cam and shaft snap ring .....	21-B	63	Countershaft and idler shaft lock plate .....	21-A
28	Selector lever nut .....	21-B	64	Countershaft .....	21-A
29	Selector lever nut lockwasher .....	21-B	65	Idler gear shaft .....	21-A
30	Selector lever .....	21-B	66	Case drain plug .....	21-A
31	Housing bolt and lockwasher .....	21-B	67	Case filler plug .....	21-A
32	Gearshift shaft screw lockwasher .....	21-B	68	Mainshaft pilot bearing snap ring .....	21-A
33	Gearshift shaft screw .....	21-B	69	Mainshaft pilot rollers .....	21-A
34	Inner lever, pin lock spring .....	21-B	70	Drive pinion .....	21-A
35	Cam and shaft assy. ....	21-B	71	Drive pinion bearing .....	21-A
36	Rail selector ball spring .....	21-B			

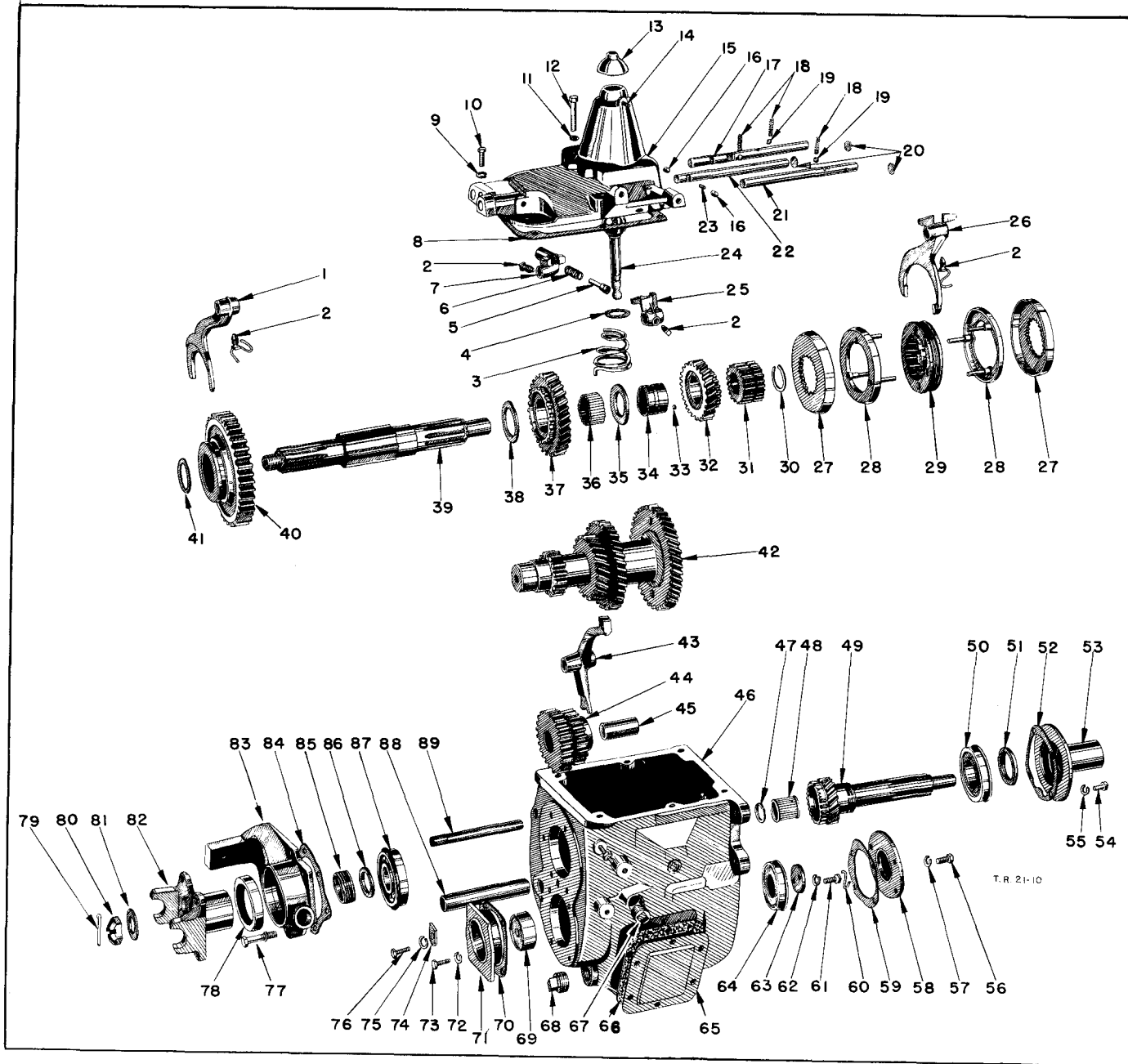
GROUP 21 - TRANSMISSION

TRANSMISSION - 4 SPEED - SPUR GEAR





# TRANSMISSION - 4 SPEED - SYNCHRO-SHIFT



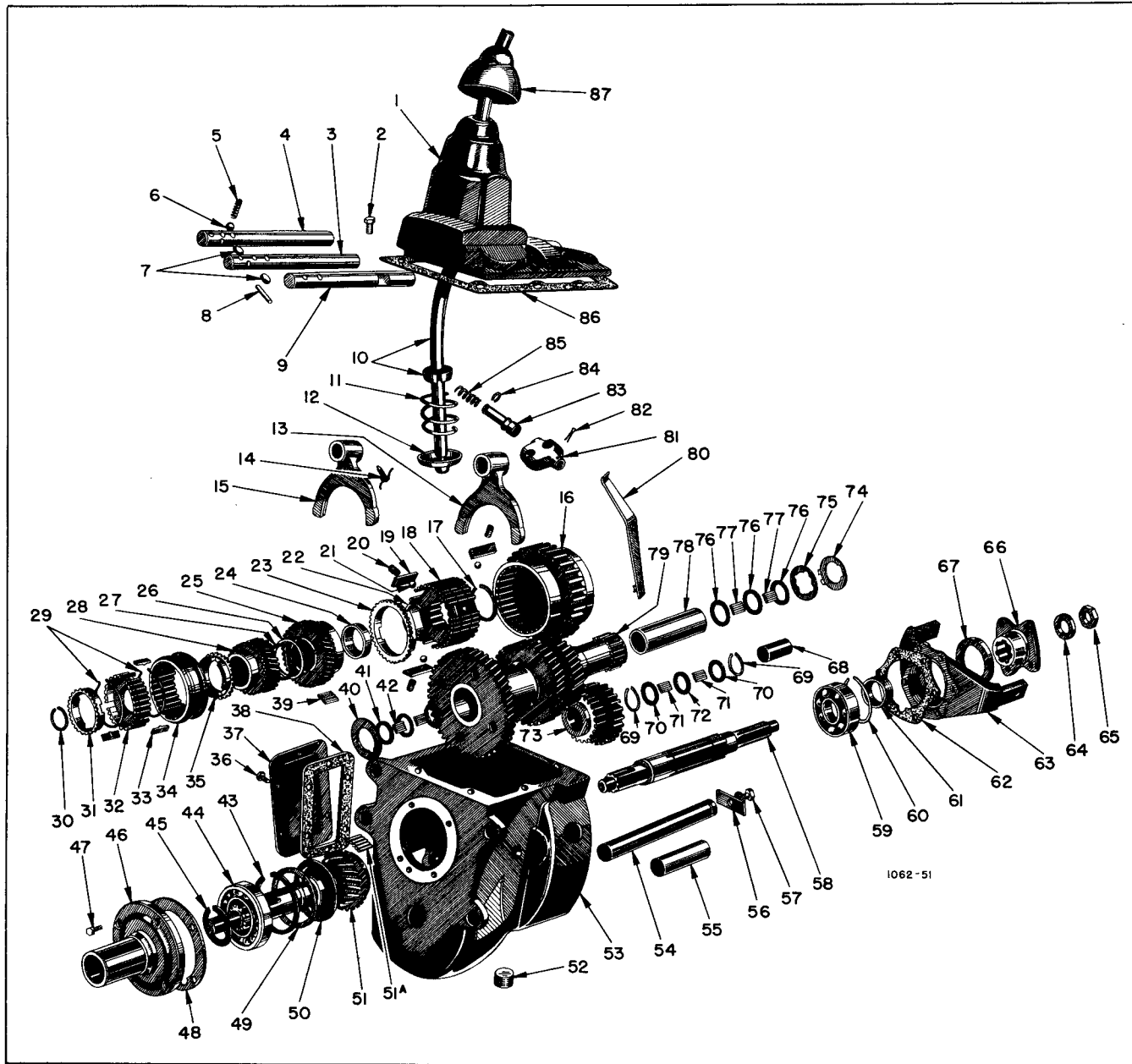
TRANSMISSION - 4 SPEED - SYNCHRO-SHIFT (Cont'd)

Plate 42 (Cont'd)

Ref. No.	Part Name	Group	Ref. No.	Part Name	Group	Ref. No.	Part Name	Group
1	First and second shift fork .....	21-C	32	Mainshaft third speed gear .....	21-C	61	Retainer washer screw .....	21-C
2	Lockscrew and lockwire .....	21-C	33	Bushing retainer pin .....	21-C	62	Retainer washer screw 1/washer .....	21-C
3	Gearshift lever spring .....	21-C	34	Third speed gear bushing .....	21-C	63	Bearing retainer washer .....	21-C
4	Lever spring seat .....	21-C	35	Third speed gear locating wshr. ....	21-C	64	Countershaft front bearing .....	21-C
5	Reverse rail shift latch plunger ...	21-C	36	Second speed gear rollers .....	21-C	65	Power take-off cover .....	21-C
6	Latch plunger spring .....	21-C	37	Second speed gear .....	21-C	66	Take-off cover gasket .....	21-C
7	Reverse rail lug .....	21-C	38	Gear locating washer .....	21-C	67	Case filler plug .....	21-C
8	Case cover gasket .....	21-C	39	Mainshaft .....	21-C	68	Case drain plug .....	21-C
9	Case cover screw lockwasher .....	21-C	40	Low and second sliding gear .....	21-C	69	Countershaft rear bearing .....	21-C
10	Case cover screw - short .....	21-C	41	Rear bearing shim .....	21-C	70	Rear bearing retainer gasket .....	21-C
11	Case cover screw lockwasher .....	21-C	42	Countershaft .....	21-C	71	Rear bearing retainer .....	21-C
12	Case cover screw - long .....	21-C	43	Reverse shift fork .....	21-C	72	Retainer screw lockwasher .....	21-C
13	Gearshift lever ball cap .....	21-C	44	Reverse idler gear .....	21-C	73	Retainer screw .....	21-C
14	Lever guide pin .....	21-C	45	Idler gear bushing .....	21-C	74	Idler gear shaft lock plate .....	21-C
15	Gearshift case cover .....	21-C	46	Case .....	21-C	75	Lock plate screw lockwasher .....	21-C
16	Rail interlock plunger .....	21-C	47	Pilot bearing spacer .....	21-C	76	Lock plate screw .....	21-C
17	Reverse rail .....	21-C	48	Pilot bearing .....	21-C	77	Rear bearing retainer screw and lockwasher .....	21-C
18	Rail poppet ball spring .....	21-C	49	Main drive pinion .....	21-C	78	Rear bearing oil seal .....	21-C
19	Rail poppet ball .....	21-C	50	Drive pinion bearing .....	21-C	79	Flange nut cotter pin .....	16-E
20	Rail hole plug .....	21-C	51	Pinion bearing retainer nut .....	21-C	80	Flange nut .....	16-E
21	Low and second rail .....	21-C	52	Pinion bearing retainer gskt. ....	21-C	81	Flange nut washer .....	16-E
22	Third and direct rail .....	21-C	53	Pinion bearing retainer .....	21-C	82	Transmission end flange .....	16-E
23	Rail interlock pin .....	21-C	54	Bearing retainer screw .....	21-C	83	Mainshaft rear bearing retainer ....	21-C
24	Gearshift lever .....	21-C	55	Retainer screw lockwasher .....	21-C	84	Rear bearing retainer gasket .....	21-C
25	Low and second rail lug .....	21-C	56	Countershaft frt. bearing retainer screw .....	21-C	85	Speedometer drive gear .....	21-E
26	Third and fourth shift fork .....	21-C	57	Retainer screw lockwasher .....	21-C	86	Drive gear spacer .....	21-E
27	Synchronizer stop ring-outer .....	21-C	58	Countershaft frt. brg. ret. ....	21-C	87	Mainshaft rear bearing .....	21-C
28	Synchronizer stop ring assy. ....	21-C	59	Bearing retainer gasket .....	21-C	88	Reverse idler gear shaft .....	21-C
29	Synchronizer sliding clutch .....	21-C	60	Retainer washer screw 1/wire .....	21-C	89	Gearshift reverse fork rail .....	21-C
30	Synchronizer snap ring .....	21-C						
31	Synchronizer clutch gear .....	21-C						

GROUP 21 - TRANSMISSION





TRANSMISSION - 4 SPEED - DOUBLE SYNCHRONIZED - (Cont'd)

Plate 43 (Cont'd)

Ref. No.	Part Name	Group	Ref. No.	Part Name	Group	Ref. No.	Part Name	Group
1	Gearshift Housing.....	21-C	34	Clutch Gear Sleeve.....	21-C	59	Mainshaft Rear Bearing.....	21-C
2	Gearshift Housing Screw.....	21-C	35	Synchronizer Stop Ring.....	21-C	60	Mainshaft Rear Bearing Snap Ring...	21-C
3	Third and Fourth Shift Rail.....	21-C	36	Power Take-Off Cover Screw.....	21-C	61	Speedometer Drive Gear.....	21-C
4	First and Second Shift Rail.....	21-C	37	Power Take-Off Cover.....	21-C	62	Mainshaft Rear Bearing Retainer	
5	Gearshift Rail Ball Spring.....	21-C	38	Power Take-Off Cover Gasket.....	21-C		Gasket.....	21-C
6	Gearshift Rail Ball.....	21-C	39	Second Speed Gear Bearing		63	Mainshaft Rear Bearing Retainer.....	21-C
7	Gearshift Rail Interlock Plunger...	21-C		Rollers (34).....	21-C	64	Flange Nut Washer.....	16-E
8	Gearshift Rail Interlock Pin.....	21-C	40	Countershaft Thrust Washers Front		65	Flange Nut.....	16-E
9	Reverse Shift Rail.....	21-C		(Bronze).....	21-C	66	Companion Flange.....	16-E
10	Gearshift Lever.....	21-C	41	Spacer Washers - Countershaft		67	Rear Bearing Retainer Oil Seal.....	21-C
11	Gearshift Lever Spring.....	21-C		Bearing Rollers.....	21-C	68	Reverse Idler Shaft Sleeve.....	21-C
12	Gearshift Lever Spring Seat.....	21-C	42	Countershaft Bearing Rollers (88)..	21-C	69	Reverse Idler Bearing Snap Ring....	21-C
13	First and Second Gearshift Fork....	21-C	43	Main Drive Pinion Bearing Snap Ring	21-C	70	Reverse Idler Bearing Thrust Washer	21-C
14	Gearshift Fork Screw and Lock Wire.	21-C	44	Main Drive Pinion Bearing.....	21-C	71	Reverse Idler Bearing Rollers (74).	21-C
15	Third and Fourth Gearshift Fork....	21-C	45	Main Drive Pinion Bearing Snap Ring	21-C	72	Reverse Idler Bearing Spacer.....	21-C
16	Low and Second Speed Gear.....	21-C	46	Main Drive Pinion Bearing Retainer.	21-C	73	Reverse Idler Gear.....	21-C
17	Synchronizer Hub Snap Ring Rear....	21-C	47	Main Drive Pinion Bearing Retainer		74	Countershaft Thrust Washer - Rear	
18	Synchronizer Hub.....	21-C		Screw.....	21-C		(Steel).....	21-C
19	Shifting Plate (3).....	21-C	48	Main Drive Pinion Bearing Retainer		75	Countershaft Thrust Washer - Rear	
20	Shifting Plate Spring (3).....	21-C		Gasket.....	21-C		(Bronze).....	21-C
21	Shifting Plate Poppet Ball (3).....	21-C	49	Main Drive Pinion Bearing Spacer		76	Spacer Washer - Countershaft.....	21-C
22	Synchronizer Hub Snap Ring Front...	21-C		Ring.....	21-C	77	Countershaft Bearing Rollers (88)..	21-C
23	Synchronizer Stop Ring - Low and		50	Main Drive Pinion Bearing Oil		78	Countershaft Bearing Spacer.....	21-C
	Second.....	21-C		Slinger.....	21-C	79	Countershaft Gear.....	21-C
24	Second Speed Gear Bearing Spacer...	21-C	51	Main Drive Pinion.....	21-C	80	Reverse Gear Shift Arm.....	21-C
25	Second Speed Gear and Bushing.....	21-C	51A	Main Drive Pinion Bearing Rollers		81	Reverse Gear Shift Arm.....	21-C
26	Second Speed Gear Thrust Washer....	21-C		(Mainshaft) (16).....	21-C	82	Reverse Gear Shift Rail Lug Cotter.	21-C
27	Second Speed Gear Thrust Washer		52	Case Drain Plug.....	21-C	83	Reverse Gear Shift Rail Plunger....	21-C
	Snap Ring.....	21-C	53	Transmission Case.....	21-C	84	Reverse Gear Shift Rail Plunger	
28	Third Speed Gear.....	21-C		Washer.....	21-C		Washer.....	21-C
29	Synchronizer Spring.....	21-C	54	Countershaft.....	21-C	85	Reverse Gear Shift Rail Plunger	
30	Clutch Gear Snap Ring.....	21-C	55	Reverse Idler Shaft.....	21-C		Spring.....	21-C
31	Synchronizer Stop Ring.....	21-C	56	Countershaft and Reverse Shaft Lock		86	Gearshift Housing Gasket.....	21-C
32	Clutch Gear.....	21-C		Plate.....	21-C	87	Gearshift Lever Cap.....	21-C
33	Synchronizer Shifting Plates.....	21-C	57	Lock Plate Screw.....	21-C			
			58	Mainshaft.....	21-C			

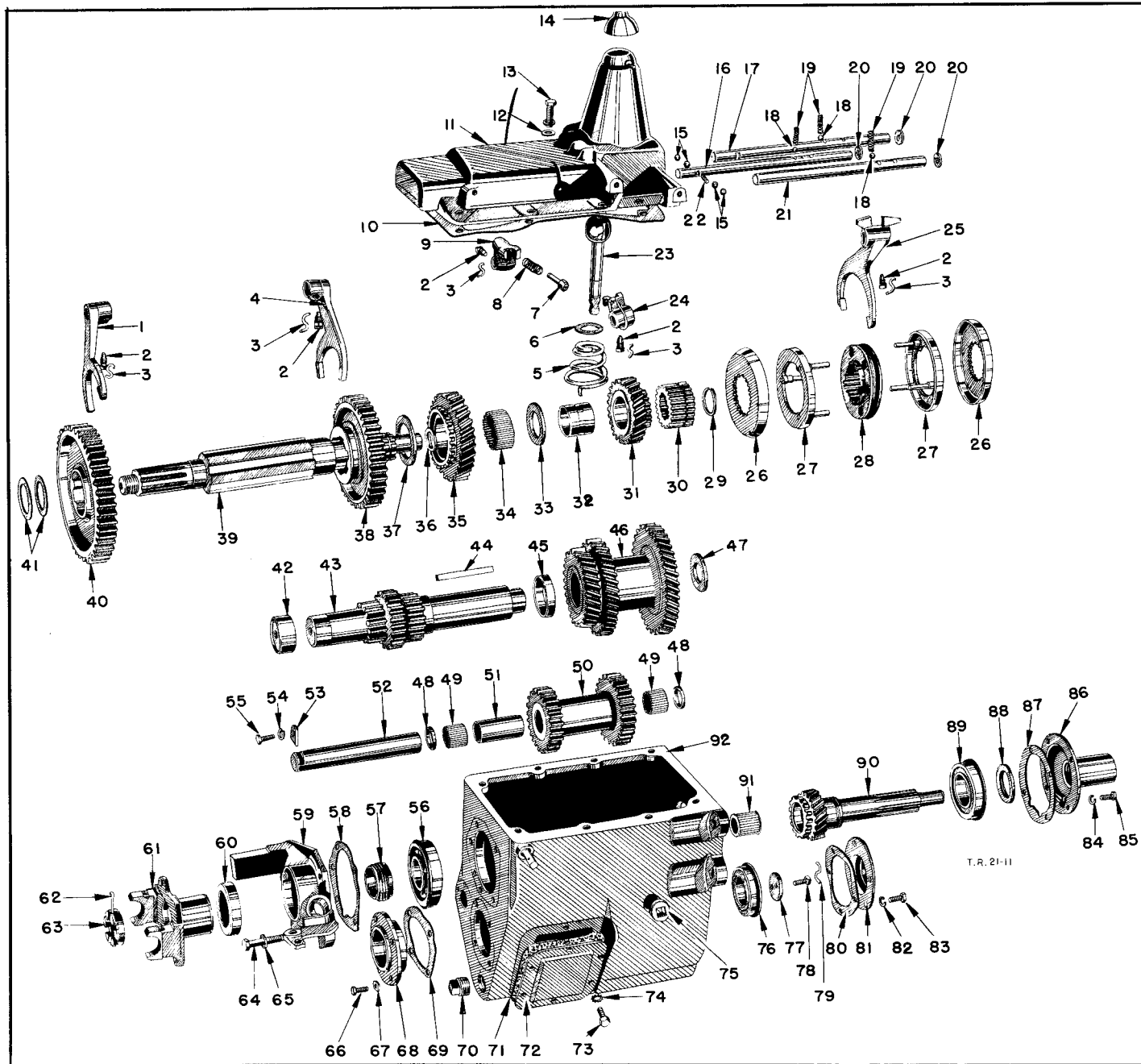
GROUP 21 - TRANSMISSION

# TRANSMISSION - 5 SPEED - SYNCHRO-SHIFT

Plate 44

21-9

GROUP 21 - TRANSMISSION

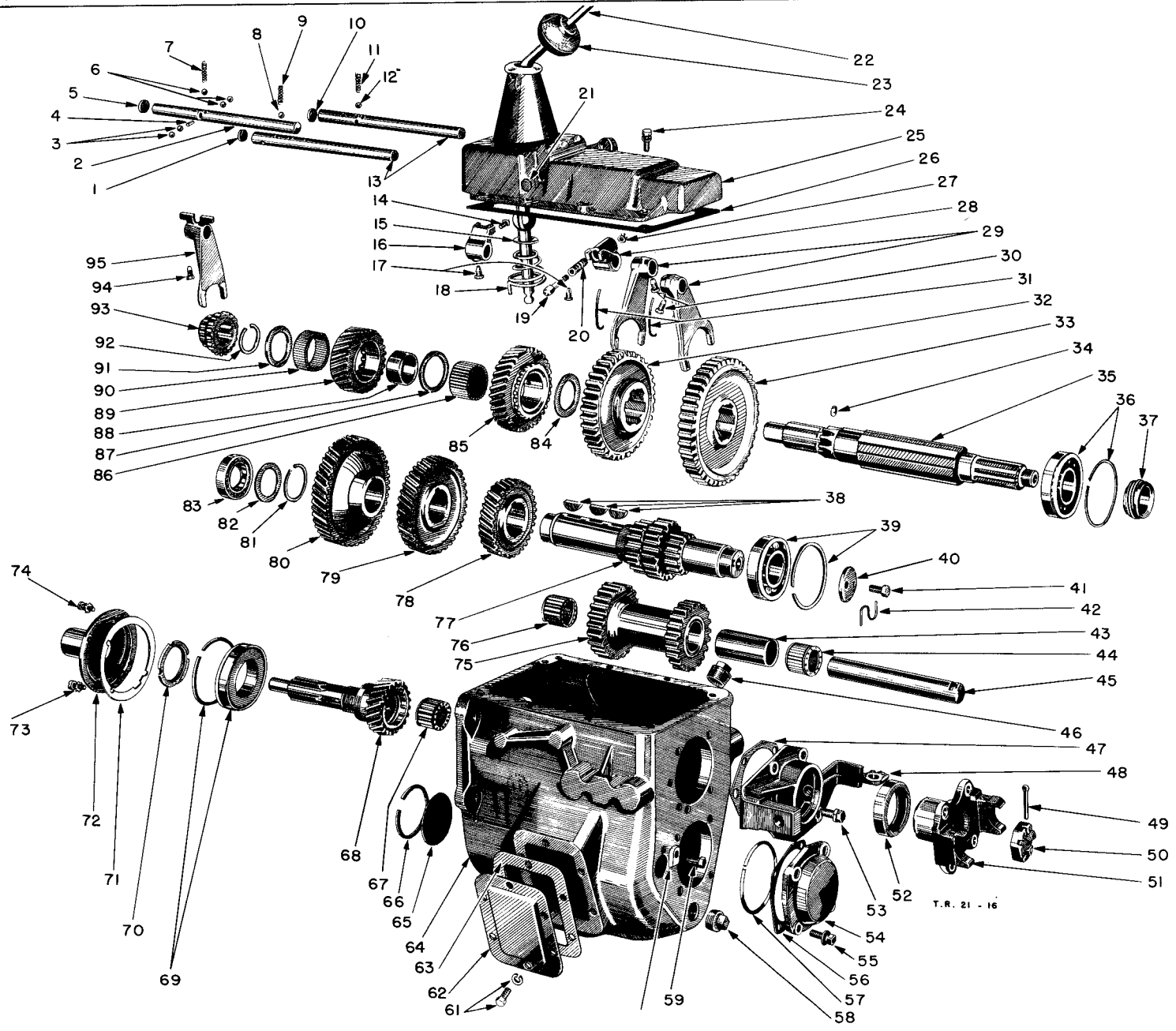


TRANSMISSION - 5 SPEED - SYNCHRO-SHIFT - (Cont'd)

Plate 44 (Cont'd)

Ref. No.	Part Name	Group	Ref. No.	Part Name	Group	Ref. No.	Part Name	Group
1	Second and third shift yoke .....	21-D	32	Fourth speed gear bushing .....	21-D	63	Flange nut .....	16-E
2	Lockscrew .....	21-D	33	Fourth speed gear loc. wshr. ....	21-D	64	Rear bearing retainer screw .....	21-D
3	Lockwire .....	21-D	34	Third speed gear rollers .....	21-D	65	Retainer screw lockwasher .....	21-D
4	Low and reverse shift fork .....	21-D	35	Third speed gear .....	21-D	66	Countershaft rr. ret. screw .....	21-D
5	Gearshift lever spring .....	21-D	36	Mainshaft pilot brg. spacer .....	21-D	67	Retainer screw lockwasher .....	21-D
6	Lever spring plate .....	21-D	37	Third speed gear loc. washer .....	21-D	68	Rear bearing retainer .....	21-D
7	Reverse rail shift latch plunger ...	21-D	38	Second and third sliding gear .....	21-D	69	Retainer gasket .....	21-D
8	Latch plunger spring .....	21-D	39	Mainshaft .....	21-D	70	Case drain plug .....	21-D
9	Reverse rail lug .....	21-D	40	Low and reverse sliding gear .....	21-D	71	Power take-off cover gasket .....	21-D
10	Case cover gasket .....	21-D	41	Rear bearing shim .....	21-D	72	Power take-off cover .....	21-D
11	Case cover .....	21-D	42	Countershaft rear bearing .....	21-D	73	Cover screw .....	21-D
12	Case cover screw lockwasher .....	21-D	43	Countershaft .....	21-D	74	Cover screw lockwasher .....	21-D
13	Case cover screw .....	21-D	44	Countershaft cluster gear key .....	21-D	75	Case filler plug .....	21-D
14	Gearshift lever ball cap .....	21-D	45	Cluster gear spacer .....	21-D	76	Countershaft front bearing .....	21-D
15	Rail interlock ball .....	21-D	46	Countershaft cluster gear .....	21-D	77	Front bearing ret. washer .....	21-D
16	Fourth and direct shift rail .....	21-D	47	Cluster gear thrust washer .....	21-D	78	Washer screw .....	21-D
17	Low and reverse shift rail .....	21-D	48	Idler shaft bearing end spacer .....	21-D	79	Washer screw lockwire .....	21-D
18	Rail poppet ball .....	21-D	49	Idler gear roller .....	21-D	80	Retainer gasket .....	21-D
19	Rail poppet ball spring .....	21-D	50	Idler gear .....	21-D	81	Front bearing retainer .....	21-D
20	Rail hole plug .....	21-D	51	Idler gear bushing .....	21-D	82	Retainer screw lockwasher .....	21-D
21	Second and third shift rail .....	21-D	52	Idler gear shaft .....	21-D	83	Retainer screw .....	21-D
22	Rail interlock pin .....	21-D	53	Shaft lock plate .....	21-D	84	Bearing retainer screw lockwasher ..	21-D
23	Gearshift lever .....	21-D	54	Lock plate screw lockwasher .....	21-D	85	Retainer screw .....	21-D
24	Low and second rail lug .....	21-D	55	Lock plate screw .....	21-D	86	Main drive brg. retainer .....	21-D
25	Fourth and direct shift fork .....	21-D	56	Mainshaft rear bearing .....	21-D	87	Retainer gasket .....	21-D
26	Synchronizer stop ring - outer .....	21-D	57	Speedometer drive gear .....	21-E	88	Bearing nut .....	21-D
27	Synchronizer stop ring assy. ....	21-D	58	Rear bearing retainer gasket .....	21-D	89	Main drive gear bearing .....	21-D
28	Synchronizer sliding clutch .....	21-D	59	Rear bearing retainer .....	21-D	90	Main drive gear .....	21-D
29	Synchronizer snap ring .....	21-D	60	Retainer oil seal .....	21-D	91	Mainshaft pilot bearing .....	21-D
30	Synchronizer clutch gear .....	21-D	61	Transmission end flange .....	16-E	92	Case .....	21-D
31	Mainshaft fourth speed gear .....	21-D	62	Flange nut cotter pin .....	16-E			

GROUP 21 - TRANSMISSION



Ref. No.	Part Name	Group	Ref. No.	Part Name	Group	Ref. No.	Part Name	Group
1	Rail plug.....	21-C	37	Speedometer gear.....	21-D	67	Mainshaft pilot bearing.....	21-C
2	Gearshift rail.....	21-C	38	Countershaft key.....	21-C	68	Main drive gear bearing.....	21-C
3	Rail poppet ball.....	21-C	39	Countershaft bearing - rear.....	21-C	69	Main drive gear bearing.....	21-C
4	Rail interlock pin.....	21-C	40	Countershaft rear bearing retainer washer.....	21-C	70	Main drive gear lock nut.....	21-C
5	Rail plug.....	21-C	41	Countershaft rear bearing retainer washer bolt.....	21-C	71	Main drive gear bearing retainer gasket.....	21-C
6	Rail poppet ball.....	21-C	42	Countershaft rear bearing retainer lockwire.....	21-C	72	Main drive gear gearing retainer.....	21-C
7	Rail poppet spring.....	21-C	43	Reverse shaft bearing spacer.....	21-C	73	Main drive gear bearing retainer screw & washer.....	21-C
8	Rail poppet ball.....	21-C	44	Reverse shaft bearing.....	21-C	74	Main drive gear bearing retainer screw & washer.....	21-C
9	Rail poppet spring.....	21-C	45	Reverse idler shaft.....	21-C	75	Reverse idler gear.....	21-C
10	Rail plug.....	21-C	46	Case filler plug.....	21-C	76	Reverse shaft bearing.....	21-C
11	Rail poppet spring.....	21-C	47	Mainshaft rear bearing retainer gasket	21-C	77	Countershaft.....	21-C
12	Rail poppet ball.....	21-C	48	Mainshaft rear bearing retainer.....	21-C	78	Countershaft third speed gear.....	21-C
13	Gearshift rail.....	21-C	49	Transmission flange nut cotter.....	16-E	79	Countershaft fourth speed gear.....	21-C
14	Gearshift lever guide pin.....	21-C	50	Transmission flange nut.....	16-E	80	Countershaft drive gear.....	21-C
15	Gearshift lever spring gear.....	21-C	51	Transmission flange.....	16-E	81	Drive gear retaining ring.....	21-C
16	Gearshift rail lug.....	21-C	52	Mainshaft bearing oil seal.....	21-C	82	Countershaft bearing washer.....	21-C
17	Gearshift fork screw.....	21-C	53	Mainshaft bearing ret. screw & washer..	21-C	83	Countershaft bearing - front.....	21-C
18	Gearshift lever spring.....	21-C	54	Countershaft rear bearing cap.....	21-C	84	Mainshaft third speed gear locating washer.....	21-C
19	Gearshift lever plunger.....	21-C	55	Countershaft rear bearing cap screw and washer.....	21-C	85	Mainshaft third speed gear.....	21-C
20	Gearshift lever plunger spring.....	21-C	56	Countershaft rear bearing cap gasket..	21-C	86	Mainshaft third speed gear rollers.....	21-C
21	Interlock plug.....	21-C	57	Countershaft bearing spacer.....	21-C	87	Mainshaft fourth speed gear locating washer.....	21-C
22	Gearshift lever.....	21-C	58	Case drain plug.....	21-C	88	Mainshaft fourth speed gear bushing..	21-C
23	Gearshift lever ball cap.....	21-C	59	Reverse idler shaft lock screw.....	21-C	89	Mainshaft fourth speed gear.....	21-C
24	Cover screw and washer.....	21-C	60	Reverse idler shaft lock.....	21-C	90	Mainshaft fourth speed gear rollers..	21-C
25	Gearshift cover.....	21-C	61	Power take-off cover screw & washer....	21-C	91	Mainshaft fourth speed gear locating washer.....	21-C
26	Gearshift cover gasket.....	21-C	62	Power take-off cover.....	21-C	92	Mainshaft fourth speed gear retainer ring.....	21-C
27	Gearshift lever plunger nut.....	21-C	63	Power take-off cover gasket.....	21-C	93	Mainshaft fourth and high speed gear..	21-C
28	Gearshift rail lug.....	21-C	64	Transmission case.....	21-C	94	Gearshift screw.....	21-C
29	Gearshift fork.....	21-C	65	Countershaft front bearing retainer plug.....	21-C	95	Gearshift fork.....	21-C
30	Gearshift fork screw.....	21-C	66	Countershaft front bearing retainer ring.....	21-C			
31	Gearshift fork screw lockwire.....	21-C						
32	Second and third sliding gear.....	21-C						
33	Low and reverse sliding gear.....	21-C						
34	Fourth speed gear bushing retaining pin	21-C						
35	Mainshaft.....	21-C						
36	Mainshaft rear bearing.....	21-C						

**GROUP 21 - TRANSMISSION - 3 SPEED**

PART NAME	PART NO.	MODEL CODES											
		DG AND FO					DH AND FP						
		1	2	3	4	5	6	1	2	4	5	6	7
<b>GROUP 21-A TRANSMISSION - 3 SPEED</b>													
<b>Transmission - 3 Speed</b>													
Assy. - less fluid drive - with strut type synchro - - - - -	1265485	1	..	..	..	..	..	..	..	..	..	..	..
Assy. - less fluid drive - with pin type synchro - - - - -	1263859	1	..	..	..	..	..	..	..	..	..	..	..
Assy. - with fluid drive - - - - -	1268880	1	..	..	..	..	..	..	..	..	..	..	..
Assy. - with fluid drive - - - - -	1268886	..	1	..	..	..	..	..	..	..	..	..	..
Assy. - - - - -	1265485	..	..	..	..	..	..	1	..	..	..	..	..
Assy. - - - - -	1262249	..	1	..	..	..	..	..	1	..	..	..	..
<b>Transmission Packages</b>													
Package - small parts- - - - -	939735	1	1	..	..	..	..	1	1	..	..	..	..
Package - gasket - - - - -	1063658	1	1	..	..	..	..	1	1	..	..	..	..
Package - strut type synchro. spring and plate - - - - -	1064536	1	1	..	..	..	..	1	1	..	..	..	..

TRANSMISSION COMPONENT PARTS	QTY.	1265485 Assy.	1263859 Assy.	1262249 Assy.	1268880 Assy.	1268886 Assy.
<b>Transmission Case</b>						
Case - - - - -	1	599291	599291	599291	599291	599291
Drain plug - - - - -	1	103869	103869	103869	103869	103869
Filler plug- - - - -	1	103875	103875	103875	103875	103875
<b>Transmission Mainshaft</b>						
Mainshaft- - - - -	1	599734	599734	599734	599734	599734
Pilot bearing roll - - - - - †	14	602007	602007	602007	602007	602007
Snap ring- - - - - †	1	601108	601108	601108	601108	601108
Bearing - rear - - - - -	1	579211	579211	579211	579211	579211
Shim - bearing - - - - -	*		1265452			
Oil seal - - - - -	1	600420	600420	600420	600420	600420
Bearing retainer - hand brake support	1	579202	579202	579239	579202	579239
Gasket - brake support - - - - - †	1	579234	579234	579234	579234	579234
Screw - support- - - - -	4	122126	122126	122126	122126	122126
Lockwasher - - - - -	4	120382	120382	120382	120382	120382
<b>Transmission Synchronizer - Strut Type</b>						
Clutch gear and sleeve assy. - - - -	1	1115595	..	1115595	1115595	1115595
Gear - - - - -	1	853863	..	853863	853863	853863
Sleeve - - - - -	1	856464	..	856464	856464	856464
Stop ring - bronze forging - - - - -	2	853867	..	853867	853867	853867
Snap ring - thin - - - - - †	*	631823	..	631823	631823	631823
Snap ring - medium - - - - - †	*	631824	..	631824	631824	631824
Snap ring - thick- - - - -	*	631825	..	631825	631825	631825
Snap ring - extra thick- - - - -	*	640332	..	640332	640332	640332
<b>Transmission Synchronizer - Pin Type</b>						
Clutch gear- - - - -	1	..	1270335	..	..	..
Sleeve - clutch gear - - - - -	1	..	1196888	..	..	..
Spring - - - - -	3	..	1196898	..	..	..
Stop ring assy. - outer - with pins-	2	..	1196894	..	..	..
Stop ring - inner- - - - -	2	..	1196890	..	..	..
Snap ring - thin - - - - - †	*	..	631823	..	..	..
Snap ring - medium - - - - - †	*	..	631824	..	..	..
Snap ring - thick- - - - -	*	..	631825	..	..	..
Snap ring - extra thick- - - - -	*	..	640332	..	..	..

† Indicates amount used as required.

‡ Indicates parts included in packages.

**GROUP 21 - TRANSMISSION - 3 SPEED**

TRANSMISSION COMPONENT PARTS - (Cont'd)	QTY	1265485 Assy.	1263859 Assy.	1262249 Assy.	1268880 Assy.	1268886 Assy.
<b>Transmission Countershaft</b>						
Countershaft - - - - -	1	579200	579200	579200	579200	579200
Plate - reverse idler and c/shaft lock- - - - -	1	579194	579194	579194	579194	579194
Screw - plate- - - - -	1	122007	122007	122007	122007	122007
Lockwasher - - - - -	1	120214	120214	120214	120214	120214
Washer - end - - - - - †	2	579230	579230	579230	579230	579230
Bearing needle - - - - - †	44	580203	580203	580203	580203	580203
Spacer - - - - -	1	579231	579231	579231	579231	579231
Spacer - end - - - - -	1	579193	579193	579193	579193	579193
<b>Transmission Reverse Idler Gear</b>						
Gear assy. with bushing- - - - -	1	579196	1394367	579196	579196	579196
Bushing- - - - -	1	579197	579197	579197	579197	579197
<b>Transmission Reverse Idler Shaft</b>						
Shaft- - - - -	1	579203	579203	579203	579203	579203
<b>Transmission Main Drive Pinion Or Gear</b>						
Pinion - - - - -	1	599620	1196886	599620	1268890	1268890
Bearing- - - - -	1	619167	619167	619167	619167	619167
Locknut - bearing- - - - -	1	579199	579199	579199	579199	579199
Retainer - bearing - - - - -	1	579304	579304	579304	579304	579304
Gasket - retainer- - - - - †	1	1090121	1090121	1090121	1090121	1090121
Screw - retainer - - - - -	4	122007	122007	122007	122007	122007
Lockwasher - - - - -	4	138486	138486	138486	138486	138486
Bushing - in end of crankshaft - - -	1	53298	53298	53298	53298	53298
<b>Transmission Gears</b>						
Gear - sliding - first and reverse -	1	599735	1394366	599735	599735	599735
Gear - second speed- - - - -	1	599736	1196897	599736	599736	599736
<b>Transmission Countershaft Gear</b>						
Gear - cluster - - - - -	1	599741	1394369	599741	599741	599741
Thrust washer - .120 thick - - - - -	*	584310	584310	584310	584310	584310
Thrust washer - .124 thick - - - - -	*	579198	579198	579198	579198	579198
<b>Transmission Gearshift Housing Or Cover</b>						
Housing- - - - -	1	1263810	1263810	1263810	1263810	1263810
Gasket - - - - -	1	579217	579217	579217	579217	579217
Screw - L.H.D. - - - - -	5	120229	120229	120229	120229	120229
Screw - - - - -	1	122007	122007	122007	122007	122007
Screw - short - R.H.D. - - - - -	3	120229	120229	120229	120229	120229
Screw - long - R.H.D.- - - - -	2	122027	122027	122027	122027	122027
Lockwasher - - - - -	6	120214	120214	120214	120214	120214
<b>Transmission Gearshift Levers And Shaft</b>						
Lever - inner- - - - -	1	1500246	1500246	1500246	1500246	1500246
Spring - retainer- - - - -	1	1265600	1265600	1265600	1265600	1265600
Pin - lever- - - - -	1	1391120	1391120	1391120	1391120	1391120
Lock spring - pin- - - - -	1	1268666	1268666	1268666	1268666	1268666
Shaft- - - - -	1	1263803	1263803	1263803	1263803	1263803
Screw - shaft- - - - -	1	1263801	1263801	1263801	1263801	1263801
Lockwasher - - - - -	1	120214	120214	120214	120214	120214
Lever - outer- - - - -	1	1263800	1263800	1263800	1263800	1263800
Nut - lever- - - - -	1	120369	120369	120369	120369	120369
Plainwasher- - - - -	1	120394	120394	120394	120394	120394
Lockwasher - - - - -	1	120382	120382	120382	120382	120382
<b>Transmission Gearshift Selector</b>						
Assy. - selector cam and shaft - - -	1	1273768	1273768	1273768	1273768	1273768
Snap ring- - - - -	1	1268668	1268668	1268668	1268668	1268668

\* Indicates amount used as required.

† Indicates parts included in packages.



**GROUP 21 - TRANSMISSION - 3 SPEED**

TRANSMISSION COMPONENT PARTS - (Cont'd)	QTY.	1265485 Assy.	1263859 Assy.	1262249 Assy.	1268880 Assy.	1268886 Assy.
<b>Transmission Gearshift Selector - (Cont'd)</b>						
Lever - - - - -	1	1263802	1263802	1263802	1263802	1263802
Nut - - - - -	1	120369	120369	120369	120369	120369
Lockwasher- - - - -	1	120382	120382	120382	120382	120382
<b>Transmission Gearshift Rail</b>						
Assy. - second and direct - - - - -	1	1265451	1263467	1265451	1265451	1265451
Rivet - fork- - - - -	2	104168	104168	104168	104168	104168
Rail - low and reverse- - - - -	1	579221	579221	579221	579221	579221
Retainer - rear - - - - -	1	917549	917549	917549	917549	917549
Retainer - front- - - - -	1	579235	579235	579235	579235	579235
Rivet - frt. and rear retainer- - -	4	108682	108682	108682	108682	108682
Ball - rail interlock - - - - -	1	119282	119282	119282	119282	119282
Ball - rail selector- - - - -	2	104919	104919	104919	104919	104919
Spring - selector ball- - - - -	2	1392267	1392267	1392267	1392267	1392267
<b>Transmission Gearshift Cross Shaft Support Tube And Brackets - R.H.D.</b>						
Assy. - complete- - - - -	1	1265203	1265203	1265203	1265203	1265203
Bushing - support tube- - - - -	2	1261898	1261898	1261898	1261898	1261898
Shaft - cross - - - - -	1	1265207	1265207	1265207	1265207	1265207
Nipple - shaft- - - - -	1	110309	110309	110309	110309	110309
Lever - cross shaft - - - - -	1	1265208	1265208	1265208	1270907	1270907
Nut - lever - - - - -	2	120369	120369	120369	120369	120369
Plainwasher - - - - -	2	120394	120394	120394	120394	120394
Lockwasher- - - - -	2	120382	120382	120382	120382	120382
Rod - lever - - - - -	1	1265209	1265209	1265209	1265209	1265209
Washer- - - - -	2	748108	748108	748108	748108	748108
Washer- - - - -	2	1138734	1138734	1138734	1138734	1138734
Cotter- - - - -	2	1137669	1137669	1137669	1137669	1137669
<b>Speedometer</b>						
For speedometer and parts see group 21D - end of 5 speed trans. group.						

\* Indicates amount used as required.

† Indicates parts included in packages.

**GROUP 21 - TRANSMISSION - 4 SPEED**

21-16

PART NAME	PART NO.	MODEL CODES											
		DG AND FO					DH AND FP						
		1	2	3	4	5	6	1	2	4	5	6	7
<b>GROUP 21-B TRANSMISSION - 4 SPEED</b>													
Note: Two type of transmission were used on truck models DG4 - FO4 - DG5 - FO5 and can be identified by position of the transmission drain plugs.													
<b>Transmission - 4 Speed</b>													
Assy. - less fluid drive - - - - -	1261561	..	1	1	..	..	..	..	1	..	..	..	..
Assy. - with fluid drive - - - - -	1268903	..	1	..	..	..	..	..	..	..	..	..	..
Assy. - with drain plug at rear of case -	1265987	..	..	..	1	1	..	..	..	..	..	..	..
Assy. - with drain plug at right side of case -	1391570	..	..	..	1	1	..	..	..	..	..	..	..
Assy. - - - - -	1391570	..	..	..	..	..	..	..	..	1	1	..	..
<b>TRANSMISSION COMPONENT PARTS</b>		<b>QTY.</b>	<b>1261561 Assy.</b>	<b>1265987 Assy.</b>	<b>1268903 Assy.</b>	<b>1391570 Assy.</b>							
<b>Transmission Case</b>													
Case - - - - -	1	1273227	1265988	1273227	1391571								
Drain plug - - - - -	1	103875	103875	103875	103875								
Filler plug - - - - -	1	666853	666853	666853	666853								
<b>Power Take - Off Cover</b>													
Cover - - - - -	1	556875	556875	556875	556875								
Gasket - - - - - †	1	567500	567500	567500	567500								
Screw - - - - -	6	122119	122119	122119	122104								
Lockwasher - - - - -	6	120382	120382	120382	138489								
<b>Transmission Gasket Package</b>													
Package - - - - -	1	1105229	1316362	1105229	1107743								
<b>Transmission Mainshaft</b>													
Mainshaft - - - - -	1	556830	1265991	556830	1391587								
Pilot bearing - - - - -	1	556910	1091903	556910	..								
Pilot roller - - - - -	16	..	..	..	1391588								
Spacer - - - - -	1	556873	1091904	556873	566493								
Shim - - - - -	*	..	1265992	..	..								
Snap ring - - - - -	1	598232	..	598232	1391573								
Washer - - - - -	1	556832	..	556832	..								
Oil slinger - - - - -	1	556892	..	556892	..								
<b>Transmission Mainshaft Rear Bearing Retainer</b>													
Assy. - - - - -	1	1194254	1272918	1196386	1391611								
Gasket - - - - - †	2	1090129	1090129	1090129	..								
Gasket - thin - - - - - †	*	..	..	..	1391614								
Gasket - medium - - - - -	*	..	..	..	1391615								
Gasket - thick - - - - -	*	..	..	..	1391616								
Gasket - extra thick - - - - -	*	..	..	..	1391617								
Screw - short - - - - -	4	122017	122017	122017	120233								
Screw - long - - - - -	1	122065	122065	122065	122181								
Lockwasher - - - - -	5	120214	120214	120214	138489								
Oil seal - - - - -	1	593596	593596	593596	593596								
<b>Transmission Countershaft</b>													
Shaft - - - - -	1	556881	..	556881	1391618								
Countershaft gears - - - - -	1	597209	..	597209	1391619								
Countershaft and gears - - - - -	1	..	1265999	..	..								
Bearing - - - - -	2	556911	..	556911	..								
Spacer - - - - -	1	556895	..	556895	..								
Bearing - front - - - - -	1	..	619167	..	..								

† Indicates amount used as required.

‡ Indicates parts included in packages.

**GROUP 21 - TRANSMISSION - 4 SPEED**

TRANSMISSION COMPONENT PARTS - (Cont'd)	QTY	1261561 Assy.	1265987 Assy.	1268903 Assy.	1391570 Assy.
<b>Transmission Countershaft - (Cont'd)</b>					
Needle bearing - - - - -	88	. . . . .	. . . . .	. . . . .	565291
Spacer - - - - -	6	. . . . .	. . . . .	. . . . .	1391620
Spacer - - - - -	1	. . . . .	. . . . .	. . . . .	1391621
Thrust washer - - - - -	2	1273228	. . . . .	1273228	
Thrust washer - front - bronze - - - - -	1	. . . . .	. . . . .	. . . . .	1391622
Thrust washer - rear - bronze - - - - -	1	. . . . .	. . . . .	. . . . .	1391623
Thrust washer - rear - steel - - - - -	1	. . . . .	. . . . .	. . . . .	1391624
Retainer - - - - -	1	. . . . .	1266000	. . . . .	. . . . .
Gasket - - - - - †	1	. . . . .	1266001	. . . . .	. . . . .
Screw - - - - -	4	. . . . .	120229	. . . . .	. . . . .
Lockwasher - - - - -	4	. . . . .	120214	. . . . .	. . . . .
Washer - - - - -	1	. . . . .	1265670	. . . . .	. . . . .
Screw - - - - -	2	. . . . .	1265671	. . . . .	. . . . .
Lockwire - - - - -	1	. . . . .	522295	. . . . .	. . . . .
Bearing - rear - - - - -	1	. . . . .	1265674	. . . . .	. . . . .
Retainer assy. - - - - -	1	. . . . .	1266002	. . . . .	. . . . .
Gasket - - - - - †	1	. . . . .	1266004	. . . . .	. . . . .
Screw - - - - -	4	. . . . .	120229	. . . . .	. . . . .
Lockwasher - - - - -	4	. . . . .	120214	. . . . .	. . . . .
<b>Transmission Reverse Idler Shaft</b>					
Shaft - - - - -	1	556883	1266008	556883	1391631
Lock plate - - - - -	1	556888	1266009	556888	556888
Screw - - - - -	1	122119	122119	122119	122119
Lockwasher - - - - -	1	120382	120382	120382	138489
<b>Transmission Main Drive Pinion Or Gear</b>					
Gear - - - - -	1	597205	1270990	1268904	1391572
Snap ring - front - - - - -	1	556833	. . . . .	556833	. . . . .
Bearing - - - - -	1	620520	1090119	620520	566493
Spacer ring - - - - -	1	. . . . .	. . . . .	. . . . .	1391580
Snap ring - rear - - - - -	1	598231	. . . . .	598231	. . . . .
Snap ring - - - - -	1	. . . . .	. . . . .	. . . . .	1391573
Oil slinger - - - - -	1	556885	. . . . .	556885	1391581
<b>Transmission Main Drive Gear Bearing Retainer</b>					
Retainer - - - - -	1	556778	1265638	1263836	1391574
Gasket - - - - - †	1	1090121	1090121	1090121	. . . . .
Gasket - thin - - - - - †	*	. . . . .	. . . . .	. . . . .	1391576
Gasket - medium - - - - -	*	. . . . .	. . . . .	. . . . .	1391577
Gasket - thick - - - - -	*	. . . . .	. . . . .	. . . . .	1391578
Gasket - extra thick - - - - -	*	. . . . .	. . . . .	. . . . .	1391579
Nut - - - - -	1	. . . . .	1265637	. . . . .	. . . . .
Screw - lower - - - - -	2	122017	122017	122017	1391660
Screw - upper - - - - -	2	120229	122007	122007	1391661
Lockwasher - - - - -	4	138485	138485	138485	. . . . .
Lockwasher - lower - - - - -	2	. . . . .	. . . . .	. . . . .	1391662
Lockwasher - upper - - - - -	2	. . . . .	. . . . .	. . . . .	120214
Snap ring - - - - -	1	598231	. . . . .	598231	. . . . .
Snap ring - thin - - - - -	*	. . . . .	. . . . .	. . . . .	1391583
Snap ring - medium - - - - -	*	. . . . .	. . . . .	. . . . .	1391584
Snap ring - thick - - - - -	*	. . . . .	. . . . .	. . . . .	1391585
Snap ring - extra thick - - - - -	*	. . . . .	. . . . .	. . . . .	1391586
<b>Transmission Gears</b>					
Low and 2nd - sliding - - - - -	1	597207	1265998	597207	
2nd speed - - - - -	1	. . . . .	1265996	. . . . .	1391599
Roller - - - - -	46	. . . . .	1265658	. . . . .	. . . . .
Roller - - - - -	34	. . . . .	. . . . .	. . . . .	1391600
Locating washer - - - - -	1	. . . . .	1265997	. . . . .	. . . . .
Thrust washer - - - - -	1	. . . . .	. . . . .	. . . . .	1391601
Snap ring - - - - -	1	. . . . .	. . . . .	. . . . .	1391602
Spacer - roller - - - - -	1	. . . . .	. . . . .	. . . . .	1391603
3rd and direct - sliding - - - - -	1	597208	. . . . .	597208	. . . . .
3rd speed - with bushing - - - - -	1	. . . . .	. . . . .	. . . . .	1391596
3rd speed - - - - -	1	. . . . .	1270985	. . . . .	. . . . .

† Indicates amount used as required.

‡ Indicates parts included in packages.

**GROUP 21 - TRANSMISSION - 4 SPEED**

TRANSMISSION COMPONENT PARTS - (Cont'd)	QTY.	1261561 Assy.	1265987 Assy.	1268903 Assy.	1391570 Assy.
<b>Transmission Gears - (Cont'd)</b>					
Bushing - - - - -	1	. . . .	1265994	. . . .	1391598
Pin - - - - -	1	. . . .	1265655	. . . .	. . . .
Locating washer - - - - -	1	. . . .	1265995	. . . .	. . . .
<b>Transmission Reverse Idler Gear</b>					
Assy. - - - - -	1	912072	1266005	912072	1391625
Bushing - - - - -	1	556848	1266007	556848	. . . .
Sleeve - - - - -	1	. . . .	. . . .	. . . .	1391627
Roller- - - - -	74	. . . .	. . . .	. . . .	1265658
Spacer- - - - -	1	. . . .	. . . .	. . . .	1391628
Thrust washer - - - - -	2	. . . .	. . . .	. . . .	1391629
Snap ring - - - - -	2	. . . .	. . . .	. . . .	1391630
<b>Transmission 2nd Speed Synchronizer</b>					
Assy. - - - - -	1	. . . .	. . . .	. . . .	1391605
Stop ring - - - - -	1	. . . .	. . . .	. . . .	1391604
Shifting plate- - - - -	3	. . . .	. . . .	. . . .	1391607
Snap ring - - - - -	1	. . . .	. . . .	. . . .	1391608
Poppet ball - - - - -	3	. . . .	. . . .	. . . .	104920
Poppet spring - - - - -	3	. . . .	. . . .	. . . .	1391609
Snap ring - - - - -	2	. . . .	. . . .	. . . .	1391602
<b>Transmission Synchronizer Stop Ring</b>					
Assy. - includes pin- - - - -	1	. . . .	1265642	. . . .	. . . .
Stop ring - outer - - - - -	2	. . . .	1265645	. . . .	. . . .
Stop ring - - - - -	2	. . . .	1391594	. . . .	. . . .
Clutch gear and sleeve assy.- - - - -	1	. . . .	. . . .	. . . .	1391589
Clutch gear - - - - -	1	. . . .	1270987	. . . .	. . . .
Shifting plate- - - - -	3	. . . .	. . . .	. . . .	1391593
Spring- - - - -	2	. . . .	. . . .	. . . .	1391592
Snap ring - .086 - .088 - - - - -	*	. . . .	1265649	. . . .	. . . .
Snap ring - .089 - .091 - - - - -	*	. . . .	1265650	. . . .	. . . .
Snap ring - .092 - .094 - - - - -	*	. . . .	1265651	. . . .	. . . .
Snap ring - .095 - .097 - - - - -	*	. . . .	1265652	. . . .	. . . .
Snap ring - - - - -	1	. . . .	. . . .	. . . .	1391595
<b>Transmission Case Cover</b>					
Cover - - - - -	1	1196385	1266011	1196385	1391633
Gasket- - - - -	1	1196442	1266012	1196442	1391634
Screw - long- - - - -	*	122181	122181	122181	. . . .
Screw - short - - - - -	*	120233	120233	120233	. . . .
Screw - - - - -	6	. . . .	. . . .	. . . .	120233
Lockwasher- - - - -	*	120382	120382	120382	120382
Breather assy.- - - - -	1	. . . .	. . . .	. . . .	1391657
Plug - rail hole- - - - -	6	103892	103892	103892	103892
<b>Transmission Gearshift Rail</b>					
Rail - reverse fork - - - - -	1	556903	1266022	556903	. . . .
Rail - reverse- - - - -	1	1196388	1266016	1196388	1391643
Lug - reverse fork- - - - -	1	1194322	1266018	1194322	1391645
Plunger - - - - -	1	. . . .	1265689	. . . .	1391646
Snap ring - - - - -	1	. . . .	1265690	. . . .	. . . .
"C" washer- - - - -	1	. . . .	. . . .	. . . .	1391647
Spring- - - - -	1	. . . .	567499	. . . .	1391648
Ball - poppet - - - - -	1	. . . .	. . . .	. . . .	104918
Spring - poppet - - - - -	1	. . . .	. . . .	. . . .	1391649
Cotter pin- - - - -	1	. . . .	. . . .	. . . .	108630
Rail - low and 2nd- - - - -	1	1196389	1266015	1196389	1391641
Lug - low and 2nd - - - - -	1	1194341	1194341	1194341	1391642
Rail - 3rd and direct - - - - -	1	1196390	1266014	1196390	1391640
Ball - poppet - - - - -	3	104920	104920	104920	104920
Spring - poppet ball- - - - -	3	517373	517373	517373	517373
Plunger - interlock - - - - -	2	556882	556882	556882	556882
Pin - interlock - - - - -	1	556890	1265694	556890	1265694
Stop- - - - -	1	517364	. . . .	517364	. . . .

\* Indicates amount used as required.

† Indicates parts included in packages.

**GROUP 21 - TRANSMISSION - 4 SPEED**

TRANSMISSION COMPONENT PARTS - (Cont'd)	QTY.	1261561 Assy.	1265987 Assy.	1268903 Assy.	1391570 Assy.
<b>Transmission Gearshift Rail - (Cont'd)</b>					
Hole plug - interlock - - - - -	1	928178	928178	928178	1391656
<b>Transmission Gearshift Fork</b>					
Fork - reverse- - - - -	1	588008	1266021	588008	. . . .
Arm - reverse - - - - -	1	. . . .	. . . .	. . . .	1391652
Shoe - arm- - - - -	1	. . . .	. . . .	. . . .	1391653
"C" washer- - - - -	1	. . . .	. . . .	. . . .	1391654
Pivot - - - - -	1	. . . .	. . . .	. . . .	1391655
Pin - groove- - - - -	1	. . . .	. . . .	. . . .	142488
Fork - 1st and 2nd- - - - -	1	1260887	1266020	1260887	1391651
Fork - 3rd and direct - - - - -	1	1260888	1266019	1260888	1391650
Lockscrew - - - - -	4	517362	517362	517362	517362
Lockwire- - - - -	4	556944	556944	556944	522295
<b>Transmission Gearshift Lever</b>					
Lever - - - - -	1	1194325	1266013	1268091	1391635
Plate - ball friction- - - - -	1	571391	571391	571391	. . . .
Cap - ball- - - - -	1	317448	317448	317448	. . . .
Pin - guide - - - - -	1	571390	571390	571390	1391638
Spring- - - - -	1	584309	1268587	584309	1391636
Retainer- - - - -	1	. . . .	. . . .	. . . .	1391637
Cap - retainer- - - - -	1	. . . .	. . . .	. . . .	1391639
<b>Transmission Lever Stop Plunger</b>					
Plunger - - - - -	1	571392	. . . .	571392	. . . .
Spring- - - - -	1	572035	. . . .	572035	. . . .
Retainer- - - - -	1	313515	. . . .	313515	. . . .
Check nut - - - - -	1	313516	. . . .	313516	. . . .
Washer- - - - -	1	313514	. . . .	313514	. . . .
Plug- - - - -	1	313503	. . . .	313503	. . . .
<b>Speedometer</b>					
For speedometer and parts see group 21D - end of 5 Speed Trans. Group					

\* Indicates amount used as required.

† Indicates parts included in packages.

# GROUP 21 - TRANSMISSION - 5 SPEED

21-20

Parts referred to "Note 1" were used up to and including:  
 Parts referred to "Note 2" were used after the following Engine Serial No's.

DG5-F05-T317-3053 C  
 DG6-F06-T319-5206 C

Exceptions T319-5181 C to 5194 C inclusive, used "Note 2" transmission.

PART NAME	PART NO.	MODEL CODES											
		DG AND FO					DH AND FP						
		1	2	3	4	5	6	1	2	4	5	6	7
<b>GROUP 21-C TRANSMISSION - 5 SPEED</b>													
<b>Transmission - 5 Speed</b>													
Assy. - export - - - - -	1272974	..	..	..	1	..	..	..	..	1	..	..	..
Assy. - Note 1 - less overdrive- - - - -	1265634	..	..	..	..	1	1	..	..	..	..	..	..
Assy. - Note 1 - with overdrive- - - - -	1266729	..	..	..	..	1	1	..	..	..	..	1	..
Assy. - Note 2 - less overdrive- - - - -	1272974	..	..	..	..	1	1	..	..	..	1	1	..
Assy. - Note 2 - with overdrive- - - - -	1274648	..	..	..	..	1	1	..	..	..	..	..	..
Assy. - - - - -	1501891	..	..	..	..	..	..	..	..	..	..	..	1
TRANSMISSION COMPONENT PARTS	QTY.	1265634 Assy.	1272974 Assy.	1266729 Assy.	1274648 Assy.	1501891 Assy.							
<b>Transmission Case</b>													
Case - - - - -	1	1265635	1265635	1265635	1265635	1194013							
Filler plug - - - - -	1	103875	103875	103870	103870	103869							
Drain plug- - - - -	1	666853	666853	666853	666853	666853							
<b>Power Take-Off Cover</b>													
Cover- - - - -	*	556875	556875	556875	556875	556875							
Gasket- - - - -	*	567500	567500	567500	567500	567500							
Screw - - - - -	12	122104	122104	122104	122104	122104							
Lockwasher- - - - -	12	120382	120382	120382	120382	120382							
<b>Transmission Gasket Package</b>													
Package- - - - -	1	1316363	1316363	1316363	1316363	1064619							
<b>Transmission Mainshaft</b>													
Mainshaft- - - - -	1	1265640	1265640	1265640	1265640	567399							
Pilot bearing - - - - -	1	1091903	1091903	1091903	1091903	567656							
Spacer- - - - -	1	1091904	1091904	1091904	1091904	.....							
Rear bearing- - - - -	1	566493	566493	566493	566493	566493							
Shim- - - - -	*	1265704	1265704	1265704	1265704	.....							
<b>Mainshaft Rear Bearing Retainer</b>													
Assy. - - - - -	1	1196650	1272927	1196650	1272927	1272927							
Gasket- - - - -	1	567402	567402	567402	567402	567402							
Screw - short - - - - -	4	120233	120233	120233	120233	120233							
Screw - long- - - - -	1	122194	122188	122194	122188	122188							
Lockwasher- - - - -	5	120382	120382	120382	120382	120382							
Washer- - - - -	1	574780	574780	574780	574780	574780							
Oil seal assy.- - - - -	1	567878	567878	567878	567878	567878							
<b>Transmission Countershaft</b>													
Countershaft and gears assy. - - - - -	1	1265662	1265662	1266832	1266832	1194016							
Countershaft- - - - -	1	1265663	1265663	1265663	1265663	1265663							
Countershaft with 3 gears machined on shaft - - - - -	1	.....	.....	.....	.....	1194017							
Cluster gear- - - - -	1	1265664	1265664	1265251	1265251	.....							
Spacer- - - - -	1	1265666	1265666	1265666	1265666	.....							
Thrust washer - - - - -	1	1265665	1265665	1265665	1265665	.....							
Key - - - - -	1	1265667	1265667	1265667	1265667	.....							

\* Indicates amount used as required.

† Indicates parts included in packages.

**GROUP 21 - TRANSMISSION - 5 SPEED**

TRANSMISSION COMPONENT PARTS - (Cont'd)	QTY.	1265634 Assy.	1272974 Assy.	1266729 Assy.	1274648 Assy.	1501891 Assy.
<b>Transmission Countershaft - (Cont'd)</b>						
Bearing - front - - - - -	1	619167	619167	619167	619167	619167
Retainer - brg. - - - - -	1	1265668	1265668	1265668	1265668	....
Retainer ring - - - - -	1	....	....	....	....	565317
Retainer plug - - - - -	1	....	....	....	....	565318
Gasket - ret. - - - - -	2	1265669	1265669	1265669	1265669	....
Washer - brg. ret. - - - - -	1	1265670	1265670	1265670	1265670	....
Washer - brg. - - - - -	1	....	....	....	....	567416
Screw - washer - - - - -	2	1265671	1265671	1265671	1265671	....
Screw - ret. - - - - -	4	122007	122007	122007	122007	....
Lockwasher - - - - -	4	120214	120214	120214	120214	....
Lockwire - - - - -	1	572251	572251	572251	572251	....
Bearing - rear - - - - -	1	1265674	1265674	1265674	1265674	567708
Retainer - brg. - - - - -	1	1265673	1265673	1265673	1265673	....
Gasket - ret. - - - - -	1	1265675	1265675	1265675	1265675	....
Screw - - - - -	4	122007	122007	122007	122007	....
Lockwasher - - - - -	4	120214	120214	120214	120214	....
Spacer - - - - -	1	....	....	....	....	585281
Washer - ret. - - - - -	1	....	....	....	....	585282
Snap ring - - - - -	1	....	....	....	....	567757
Screw - wa. - - - - -	2	....	....	....	....	120647
Lockwire - - - - -	1	....	....	....	....	572551
Cap - brg. - - - - -	1	....	....	....	....	585279
Gasket - cap. - - - - -	1	....	....	....	....	585280
Screw - cap. - - - - -	4	....	....	....	....	120233
Lockwasher - - - - -	4	....	....	....	....	120382
<b>Reverse Idler Gear Shaft</b>						
Shaft - - - - -	1	1265678	1265678	1265678	1265678	1194018
Rollers - - - - -	62	580203	580203	580203	580203	....
Bearing - - - - -	2	....	....	....	....	567656
Spacer - - - - -	1	1265679	1265679	1265679	1265679	1194019
Spacer - end - - - - -	2	1265680	1265680	1265680	1265680	....
Lock - - - - -	1	553798	553798	553798	553798	553798
Screw - - - - -	1	122104	122104	122104	122104	122104
Lockwasher - - - - -	1	120382	120382	120382	120382	120382
<b>Reverse Idler Gear</b>						
Gear - - - - -	1	1265677	1265677	1265677	1265677	1193903
<b>Main Drive Gear - Bearing - Retainer</b>						
Gear - - - - -	1	1270989	1270989	1266834	1266834	567417
Bearing - - - - -	1	1090119	1090119	1090119	1090119	567707
Retainer - - - - -	1	1265638	1265638	1265638	1265638	567713
Gasket - - - - -	*	1090121	1090121	1090121	1090121	565303
Nut - - - - -	1	1265637	1265637	1265637	1265637	567488
Screw - upper - - - - -	2	122007	122007	122007	122007	120229
Screw - lower - - - - -	2	120228	120228	120228	120228	122017
Lockwasher - - - - -	4	138485	138485	138485	138485	138485
<b>Transmission Gears - On Mainshaft</b>						
4th speed gear - - - - -	1	1270986	1270986	....	....	567405
Overdrive gear - - - - -	1	....	....	1266875	1266875	....
Bushing - - - - -	1	1265654	1265654	1265654	1265654	....
Bushing - roller - 1.015" - 1.018"	1	....	....	....	....	567400
Bushing - roller - 1.012" - 1.015"	1	....	....	....	....	1501217
Pin - ret. - - - - -	1	1265655	1265655	1265655	1265655	567489
Washer - 4th gear - - - - -	1	1265656	1265656	....	....	....
Washer - overdrive gear - - - - -	1	....	....	1266835	1266835	....
Roller - 4th gear - - - - -	37	....	....	....	....	565291
Retainer ring - - - - -	1	....	....	....	....	567491
Locating washer - frt. - 4th gr. - .118 - .120 - - - - -	*	....	....	....	....	1501340
Locating washer - frt. - 4th gr. - .119 - .121 - - - - -	*	....	....	....	....	1501345
Locating washer - frt. - 4th gr. - .121 - .123 - - - - -	*	....	....	....	....	1501341

\* Indicates amount used as required.

† Indicates parts included in packages.

**GROUP 21 - TRANSMISSION - 5 SPEED**

TRANSMISSION COMPONENT PARTS - (Cont'd)	QTY.	1265634 Assy.	1272974 Assy.	1266729 Assy.	1274648 Assy.	1501891 Assy.
<b>Transmission Gears - On Mainshaft - Cont'd</b>						
Locating washer - frt. - 4th gr. - .124 - .126 - - - - -	*	....	....	....	....	1501342
Locating washer - frt. - 4th gr. - .127 - .129 - - - - -	*	....	....	....	....	1501343
Locating washer - frt. - 4th gr. - .130 - .132 - - - - -	*	....	....	....	....	1501344
3rd speed gear - - - - -	1	1265657	1265657	1266833	1266833	567403
Roller - - - - -	50	1265658	1265658	1265658	1265658	....
Roller - - - - -	35	....	....	....	....	567490
Locating washer - - - - -	1	1265659	1265659	1265659	1265659	....
Locating washer - .119 - .121 - -	*	....	....	....	....	1501346
Locating washer - .123 - .125 - -	*	....	....	....	....	1501347
<b>Sliding Gear On Mainshaft</b>						
2nd and 3rd speed gear - - - - -	1	1265660	1265660	1265660	1265660	1263686
Low and reverse speed gear - - - -	1	1265661	1265661	1265661	1265661	567426
4th and high speed gear - - - - -	1	....	....	....	....	567429
<b>Synchronizer Stop Ring And Pin</b>						
Assy. - - - - -	2	1265642	....	1265642	1265642	....
Assy. - - - - -	2	....	1501652	....	....	....
Stop ring - outer - - - - -	2	1265645	....	1265645	1265645	....
Stop ring - outer - - - - -	2	....	1501653	....	....	....
Sliding clutch - - - - -	1	1270988	1270988	1270988	1270988	....
Clutch gear - - - - -	1	1270987	1270987	1270987	1270987	....
Snap ring - .086 - .088 - - - - -	*	1265649	1265649	1265649	1265649	....
Snap ring - .089 - .091 - - - - -	*	1265650	1265650	1265650	1265650	....
Snap ring - .092 - .094 - - - - -	*	1265651	1265651	1265651	1265651	....
Snap ring - .095 - .097 - - - - -	*	1265652	1265652	1265652	1265652	....
<b>Countershaft Gears</b>						
Drive gear - - - - -	1	....	....	....	....	567419
Retaining ring - - - - -	1	....	....	....	....	567502
4th speed gear - - - - -	1	....	....	....	....	567422
3rd speed gear - - - - -	1	....	....	....	....	567423
Key - - - - -	1	....	....	....	....	113879
<b>Transmission Case Cover Or Gearshift Housing</b>						
Cover - - - - -	1	1265682	1265682	1265682	1265682	1196652
Pin - guide - - - - -	1	571390	571390	571390	571390	571390
Gasket - - - - -	1	1265683	1265683	1265683	1265683	567486
Screw - - - - -	8	120233	120233	120233	120233	122150
Lockwasher - - - - -	8	120382	120382	120382	120382	120382
<b>Gearshift Rail</b>						
Rail - low and reverse - - - - -	1	1391406	1391406	1391406	1391406	1392147
Rail - second and third - - - - -	1	1265685	1265685	1265685	1265685	1196653
Rail - fourth and direct - - - - -	1	1265686	1265686	1265686	1265686	1196654
Lug - low and reverse - - - - -	1	1265688	1265688	1265688	1265688	567411
Plunger - low and reverse lug latch - - - - -	1	1500335	1500335	1500335	1500335	....
Snap ring - - - - -	1	313514	313514	313514	313514	....
Spring - - - - -	1	567499	567499	567499	567499	....
Lug - second and third - - - - -	1	1265691	1265691	1265691	1265691	567409
Hole plug - - - - -	3	103893	103893	103893	103893	103892
Interlock ball - - - - -	4	104920	104920	104920	104920	104921
Interlock pin - - - - -	1	1265694	1265694	1265694	1265694	567498
Interlock hole plug - - - - -	1	928178	928178	928178	928178	103891
Poppet ball - - - - -	3	104920	104920	104920	104920	104921
Poppet spring - - - - -	3	517373	517373	517373	517373	567501

\* Indicates amount used as required.

† Indicates parts included in packages.



**GROUP 21 - TRANSMISSION - 5 SPEED**

TRANSMISSION COMPONENT PARTS - (Cont'd)	QTY.	1265634 Assy.	1272974 Assy.	1266729 Assy.	1274648 Assy.	1501891 Assy.
<b>Gearshift Fork</b>						
Fork - low - reverse - second and third - - - - -	2	1265692	1265692	1265692	1265692	567427
Fork - fourth and direct - - - - -	1	1265693	1265693	1265693	1265693	1196656
Screw - fork to rail- - - - -	5	517362	517362	517362	517362	517362
Lockwire- - - - -	5	572551	572551	572551	572551	572551
<b>Gearshift Lever</b>						
Lever- - - - -	1	1267555	1267555	1267555	1267555	1195842
Spring- - - - -	1	1268587	1268587	1268587	1268587	569991
Seat - spring - - - - -	1	.....	.....	.....	.....	567497
Plate - ball friction - - - - -	1	571391	571391	571391	571391	
Latch plunger - low and reverse -	1	.....	.....	.....	.....	567407
Plunger spring- - - - -	1	.....	.....	.....	.....	567499
Plunger nut - - - - -	1	.....	.....	.....	.....	572448
Cotter- - - - -	1	.....	.....	.....	.....	103361
Ball cap- - - - -	1	317448	317448	317448	317448	317448
Knob assy.- - - - -	1	377971	377971	377971	377971	377971
<b>Speedometer</b>						
For speedometer and parts see Group 21-D						

\* Indicates amount used as required.

† Indicates parts included in packages.

**GROUP 21 - TRANSMISSION**

PART NAME	PART NO.	MODEL CODES										
		DG AND FO					DH AND FP					
		1	2	3	4	5	6	1	2	4	5	6
<b>GROUP 21-D SPEEDOMETER</b>												
<b>Speedometer</b>												
Assy. - mile - - - - -	1271232	1	1	1	1	1	1	1	1	1	1	1
Assy. - kilo. - - - - -	1272319	1	1	1	1	1	1	1	1	1	1	1
Screw - mtg. - - - - -	163217	4	4	4	4	4	4	4	4	4	4	4
Eyelet - - - - -	1263532	4	4	4	4	4	4	4	4	4	4	4
Screw - hsg. to chassis - - - - -	121832	2	2	2	2	2	2	2	2	2	2	2
Lockwasher - - - - -	121841	2	2	2	2	2	2	2	2	2	2	2
Bezel - - - - -	1260775	1	1	1	1	1	1	1	1	1	1	1
Gasket - - - - -	1262973	1	1	1	1	1	1	1	1	1	1	1
Glass - dial - - - - -	1262972	1	1	1	1	1	1	1	1	1	1	1
Gasket - - - - -	1262971	1	1	1	1	1	1	1	1	1	1	1
Bulb - - - - -	830336	1	1	1	1	1	1	1	1	1	1	1
<b>Speedometer Cable</b>												
Assy. - - - - -	1343929	1	1	1	1	1	1	1	1	1	1	1
Drive shaft assy. - 55" long - less fluid drive - - - - -	1260731	1	1	1	1	..	..	1	1	1	..	..
Drive shaft assy. - 59" long - with fluid drive - - - - -	1163782	1	1	..	..	..	..	..	..	..	..	..
Drive shaft assy. - 59" long - - - - -	1163782	..	..	..	..	1	1	..	..	..	1	1
Drive pinion sleeve and seal - - - - -	1139156	1	1	..	..	..	..	1	1	..	..	..
Drive pinion oil seal - - - - -	1134949	1	1	..	..	..	..	1	1	..	..	..
Drive pinion bushing - - - - -	516268	..	..	1	1	1	..	..	..	1	1	..
Drive pinion retainer nut - 4 speed trans. - - - - -	561480	..	..	1	1	1	..	..	..	1	1	..
Drive pinion retainer nut - 5 speed trans. - - - - -	567485	..	..	..	1	1	1	..	..	1	1	1
Drive gear spacer - - - - -	556941	..	..	1	..	..	..	..	..	..	..	..
Drive gear spacer - - - - -	1090153	..	..	..	1	1	..	..	..	1	1	..
Clip - - - - -	642328	1	1	1	1	1	1	1	1	1	1	1
<b>Speedometer Cable Lubricant</b>												
1 pound can - - - - -	1103615	*	*	*	*	*	*	*	*	*	*	*
<b>Note:</b> For speedometer gear and pinion chart see next page.												

**NOTES:**

---



---



---



---



---



---



---



---



---



---



---



---



---



---



---



---



---



---



---



---



---



---

Indicates amount used as required.

† Indicates parts included in packages.

## GROUP 21 - TRANSMISSION

## GROUP 21-D SPEEDOMETER - (CONT'D)

**SPEEDOMETER GEAR AND PINION CHART**  
**3 SPEED TRANSMISSION-SINGLE SPEED AXLE**

Tire Size	4.1 to 1 axle		4.3 to 1 axle		4.78 to 1 axle		4.89 to 1 axle	
	Gear	Pinion	Gear	Pinion	Gear	Pinion	Gear	Pinion
6.00 x 16	579515	916416	579515	918872	579515	579514	579515	579514
6.50 x 16	579515	916416	579515	918872	579515	579513	579515	579513
6.70 x 15	579515	916416	....	....	579515	579513		
7.00 x 16	579515	579510	579515	916416	....	....	579515	579513
7.50 x 16	1268547	1268549	579515	579510	....	....	579515	918872
8.25 x 16	....	....	579516	652846	....	....	579516	652842
7.00 x 17	....	....	579515	579513	....	....	579515	918872
7.50 x 17	1268547	1268549	1268547	1268549	....	....	579515	916416

**4 SPEED TRANSMISSION-SINGLE SPEED AXLE**

	4.3 to 1 axle		4.89 to 1 axle		4.1 to 1 axle		
	Gear	Pinion	Gear	Pinion	Gear	Pinion	
6.50 x 16	561816	571654	561651	571653	....	....	
7.00 x 16	561816	571654	561816	571656	561816	571653	
7.50 x 16	561816	571653	561816	571655	1268550	1268552	
8.25 x 16	1268550	1268552	561816	571654	....	....	
7.00 x 17	561816	571653	561816	571655	....	....	
7.50 x 17	1268550	1268552	561816	571654	1268550	1268552	

	5.57 to 1 axle		6.33 to 1 axle		6.83 to 1 axle	
	Gear	Pinion	Gear	Pinion	Gear	Pinion
6.50 x 20	561816	571656	561651	571654	561651	571656
7.00 x 20	561816	571655	561651	571654	561651	571655
7.50 x 20	561816	571655	561651	571653	561651	571655
8.25 x 20	....	....	....	....	561651	571654

NOTE: For use with trans. with drain plug at rear of case.

	5.57 to 1 axle		6.33 to 1 axle		6.83 to 1 axle	
	Gear	Pinion	Gear	Pinion	Gear	Pinion
6.50 x 20	1391664	571656	1391663	571654	1391663	571656
7.00 x 20	1391664	571655	1391663	571654	1391663	571655
7.50 x 20	1391664	571655	1391663	571653	1391663	571655
8.25 x 20	....	....	1391663	571653	1391663	571654

NOTE: For use with trans. with drain plug at right side of case.

**4 SPEED TRANSMISSION-- 2 SPEED AXLE**

	6.13-8.10 to 1 axle		6.70-8.86 to 1 axle		6.13-8.10 to 1 axle		6.70-8.86 to 1 axle	
	Gear	Pinion	Gear	Pinion	Gear	Pinion	Gear	Pinion
6.50 x 20	561651	571654	....	....	1391663	571654	....	....
7.00 x 20	561651	571653	....	....	1391663	571653	....	....
7.50 x 20	561651	571653	....	....	1391663	571653	....	....
8.25 x 20	561651	571653	561651	571654	1391664	571656	1391663	571654

NOTE: for use with trans. with drain plug at rear of case.

NOTE: for use with trans. with drain plug at right side of case.

\* Indicates amount used as required.

† Indicates parts included in packages.

GROUP 21-D SPEEDOMETER - (CONT'D)								
Speedometer Gear And Pinion Chart - (Cont'd)								
5 SPEED TRANSMISSION								
Tire Size	Single Speed Axle				2 Speed Axle			
	6.28 to 1 axle		7.16 to 1 axle		6.6-8.8 to 1 axle		6.70-8.86 to 1 axle	
	Gear	Pinion	Gear	Pinion	Gear	Pinion	Gear	Pinion
7.50 x 20	567704	571740	567704	571738	567704	571739	567704	571739
8.25 x 20	567705	571737	567704	571738	567704	571739	567704	571739
9.00 x 20	567705	571738	567704	571739	567704	571740	567705	571737
Tire Size	6.83 to 1 axle		6.80 to 1 axle		6.13-8.10 to 1 axle		6.16-8.19 to 1 axle	
	Gear	Pinion	Gear	Pinion	Gear	Pinion	Gear	Pinion
	7.50 x 20	567704	571739	567704	571739	567704	571740	567704
8.25 x 20	567704	571739	567704	571739	567705	571737	567705	571737
9.00 x 20	567704	571740	567704	571740	567705	571738	567705	571738
Tire Size	6.33 to 1 axle							
	Gear	Pinion						
	7.50 x 20	567704	571740					
8.25 x 20	567704	571740						
9.00 x 20	567705	571738						
Speedometer Gear And Pinion Teeth Chart								
Gear	Teeth	Pinion	Teeth					
561651	4	571653	14					
561816	5	571654	15					
567704	4	571655	16					
567705	5	571656	17					
579515	5	571737	17					
579516	6	571738	16					
1268547	5	571739	15					
1268550	5	571740	14					
1391663	4	579510	14					
1391664	5	579513	17					
		579514	18					
		652842	18					
		652846	16					
		916416	15					
		918872	16					
		1268549	13					
		1268552	13					
NOTES:								

\* Indicates amount used as required.

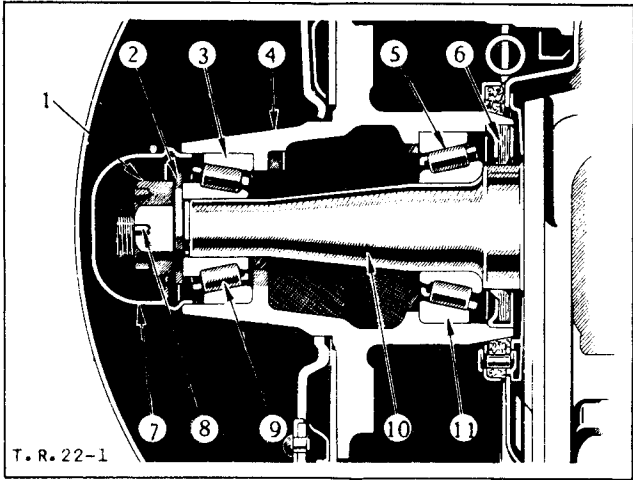
† Indicates parts included in packages.

WHEELS

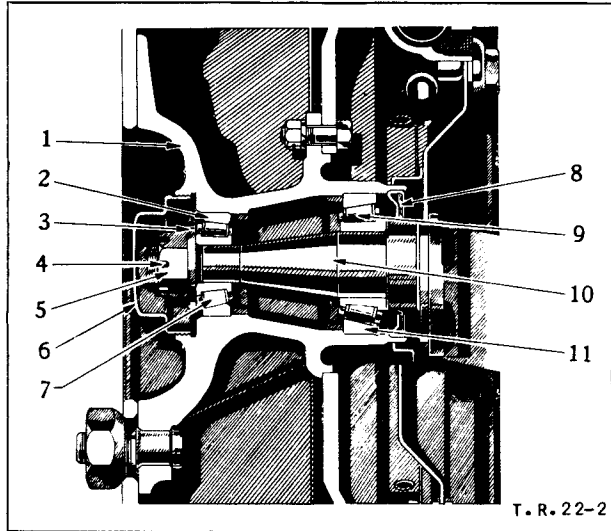
Plate 46

Plate 47

FRONT WHEEL



FRONT WHEEL



Ref. No.	Part Name	Group
1	Bearing nut.....	22-E
2	Bearing thrust washer.....	22-E
3	Outer bearing cup.....	22-E
4	Hub.....	22-C
5	Inner bearing cone and rollers.....	22-E
6	Hub dust seal.....	22-E
7	Grease cap.....	22-C
8	Bearing nut cotter pin.....	22-E
9	Outer bearing cone and rollers.....	22-E
10	Steering knuckle.....	2-C
11	Inner bearing cup.....	22-E

Ref. No.	Part Name	Group
1	Hub.....	22-C
2	Outer bearing cup.....	22-E
3	Bearing thrust washer.....	22-E
4	Bearing nut cotter pin.....	22-E
5	Bearing nut.....	22-E
6	Front wheel hub cap.....	22-C
7	Outer bearing cone and rollers.....	22-E
8	Hub dust seal.....	22-E
9	Inner bearing cone and rollers.....	22-E
10	Steering knuckle.....	2-C
11	Inner bearing cup.....	22-E

NOTES:

---



---



---



---



---



---



---



---



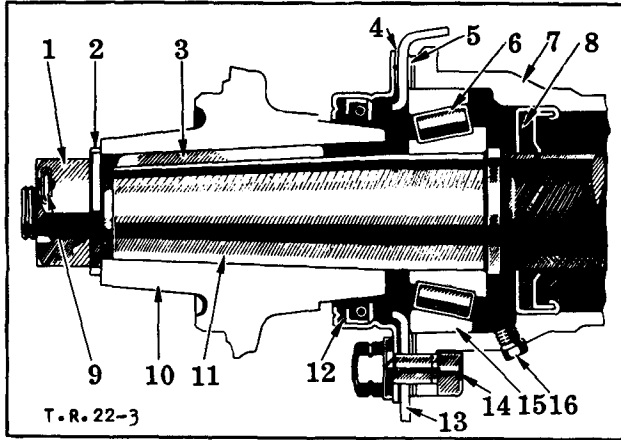
---



---

Plate 48

REAR WHEEL

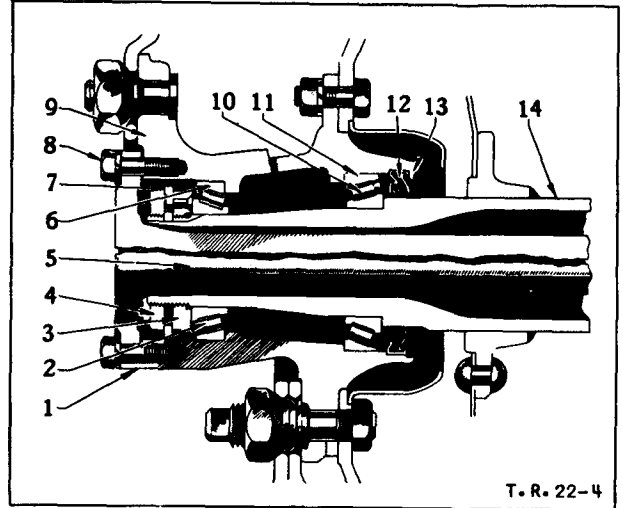


T.R. 22-3

Ref. No.	Part Name	Group
1	Rear axle drive shaft nut.....	3-F
2	Rear axle shaft nut washer.....	3-F
3	Rear axle drive shaft key.....	3-F
4	Rear axle drive shaft bearing oil seal gasket.....	3-F
5	Rear axle drive shaft bearing shims.....	3-F
6	Rear axle drive shaft cone and rollers.....	3-F
7	Rear axle housing.....	3-A
8	Rear axle drive shaft oil seal.....	3-F
9	Rear axle drive shaft nut cotter pin.....	3-F
10	Hub.....	22-C
11	Rear axle drive shaft.....	3-F
12	Rear axle drive shaft bearing oil seal.....	3-F
13	Brake support.....	5-C
14	Brake support to housing bolt.....	5-C
15	Rear axle drive shaft bearing cup.....	3-F
16	Lubricant plug.....	

Plate 49

REAR WHEEL



T.R. 22-4

Ref. No.	Part Name	Group
1	Rear axle drive shaft gasket.....	3-F
2	Outer bearing cone and rollers.....	22-E
3	Adjusting nut - inner.....	22-E
4	Adjusting nut - outer.....	22-E
5	Rear axle drive shaft.....	3-F
6	Outer bearing cup.....	22-E
7	Adjusting nut lock.....	22-E
8	Rear axle drive shaft flange stud.....	3-F
9	Rear wheel hub - upper half for single wheels - lower half for dual wheels.....	22-C
10	Inner bearing cone and rollers.....	22-E
11	Inner bearing cup.....	22-E
12	Oil seal.....	22-E
13	Oil seal snap ring.....	22-E
14	Rear axle housing.....	3-A

NOTES:

---



---



---



---



---



---



---



---



---



---

**GROUP 22 - WHEELS**

**NOTE:** Parts referred to Note 1 were used up to and including: Parts referred to Note 2 were used after the following serial nos: DG2-91186732 - F02-91507930.  
 Exceptions - Note 1 parts were used on the following serial nos. DG2-91187031 to 91187307 inclusive, F02-91508206 to 91508327 inclusive.  
 -Note 2 parts were used on the following serial nos. DG2-91185717 to 91185913 inclusive. F02-91506983 to 91507100 inclusive.

**SPECIAL NOTE:**

Note "Y" refers to parts used on hypoid and timken axle with round axle housing.  
 Note "Z" refers to parts used on timken axle with square type housing.

**WHEEL AND TIRE CHART**

WHEEL SIZE	15x4.50 15x5.50	16x4.50	16x5.00	16x5.50	16x6.50	17x6.00	20x5	20x6	20x6.50 20x7
Tire Size	6.70x15 4&6ply	6.00x16 4-6ply 6.50x16 6 ply SS-10	6.50x16 4&6 ply	7.00x16 6 ply 7.50x16 6&8 ply	8.25x16 8 ply	7.00x17 6 ply 7.50x17 8 ply	6.50x20 8 ply 7.00x20 8&10ply	7.50x20 8&10 ply 8.25x20 10 ply	9.00x20 10&12 ply

PART NAME	PART NO.	MODEL CODES													
		DG AND FO						DH AND FP							
		1	2	3	4	5	6	1	2	4	5	6	7		
<b>GROUP 22-A WHEELS - WHEEL BALANCE WEIGHT</b>															
<b>NOTE:</b> For dual installation on DG2-DH2 F02-FP2 see Note in 12E															
<b>Steel Disc Wheel</b>															
Assy. - 15x4.50 - - - - -	1320042	*	..	..	..	..	..	..	..	..	..	..	..	..	
Assy. - 15x5.50 - - - - -	1320024	*	..	..	..	..	..	*	..	..	..	..	..	..	
Assy. - 16x4.50 - - - - -	864278	*	..	..	..	..	..	*	..	..	..	..	..	..	
Assy. - 16x5.00 - - - - -	1390769	*	..	..	..	..	..	..	..	..	..	..	..	..	
Assy. - 18x3.62 - export - - - - -	683283	*	..	..	..	..	..	*	..	..	..	..	..	..	
Assy. - 16x4.50 - firestone type - with side ring - - - - -	1392460	..	*	..	..	..	..	..	*	..	..	..	..	..	
Side Ring - - - - -	1265526	..	*	..	..	..	..	..	*	..	..	..	..	..	
Wheel - 16x4.50 - Goodyear type - - less side ring - - - - -	913870	..	*	..	..	..	..	..	..	..	..	..	..	..	
Side ring - - - - -	913871	..	*	..	..	..	..	..	..	..	..	..	..	..	
Wheel - 16x5.50 - less side ring - - - - -	915620	..	*	..	..	..	..	..	*	..	..	..	..	..	
Side ring - Goodyear type - - - - -	913871	..	*	..	..	..	..	..	*	..	..	..	..	..	
Side ring - Firestone type - - - - -	1265526	..	*	..	..	..	..	..	*	..	..	..	..	..	
Assy. 16x6.50 - with side ring - - - - -	1267977	..	*	..	..	..	..	..	..	..	..	..	..	..	
Side ring - - - - -	1189383	..	*	..	..	..	..	..	..	..	..	..	..	..	
Assy. - 17x6.00 - with side ring - - - - -	1390365	..	*	..	..	..	..	..	*	..	..	..	..	..	
Side ring - - - - -	1272915	..	*	..	..	..	..	..	*	..	..	..	..	..	
Assy. - 20x5 - 5 stud - Goodyear type - with side ring - - - - -	1194667	..	..	*	*	..	..	..	..	..	..	..	..	..	
Side ring - - - - -	1194544	..	..	*	*	..	..	..	..	..	..	..	..	..	
Assy. - 20x5 - 5 stud - Kelsey type - with side ring - - - - -	1196722	..	..	*	*	..	..	..	..	*	..	..	..	..	
Side ring - - - - -	1196724	..	..	*	*	..	..	..	..	*	..	..	..	..	
Locking ring - - - - -	1196725	..	..	*	*	..	..	..	..	*	..	..	..	..	
Assy. - 2-x6 - 5 stud - Goodyear type - with side ring - - - - -	1194535	..	..	..	*	*	*	..	..	..	..	..	..	..	
Side ring - - - - -	1190979	..	..	..	*	*	*	..	..	..	..	..	..	..	
Assy. - 20x6 - 5 stud - Kelsey type - with side ring - - - - -	1196726	..	..	..	*	*	*	..	..	*	*	*	..	..	
Side ring - - - - -	1196728	..	..	..	*	*	*	..	..	*	*	*	..	..	
Locking ring - - - - -	1196725	..	..	..	*	*	*	..	..	*	*	*	..	..	
Assy. - 20x6.50 - 5 stud - with side ring - - - - -	1273213	..	..	..	..	*	*	..	..	..	*	*	..	..	
Side ring - - - - -	1190978	..	..	..	..	*	*	..	..	..	*	*	..	..	
Assy. - 20x6 - stud - with side ring - - - - -	1273212	..	..	..	..	..	*	..	..	..	..	..	*	*	
Side ring - - - - -	1196728	..	..	..	..	..	*	..	..	..	..	..	*	*	
Locking ring - - - - -	1196725	..	..	..	..	..	*	..	..	..	..	..	*	*	
Assy. - 20x6.50 - 6 stud - kelsey type - with side ring - - - - -	1273214	..	..	..	..	..	*	..	..	..	..	..	*	*	
Side ring - - - - -	1190978	..	..	..	..	..	*	..	..	..	..	..	*	*	

Indicates amount used as required.

† Indicates parts included in packages.

GROUP 22 - WHEELS

PART NAME	PART NO.	MODEL CODES											
		DG AND FO					DH AND FP						
		1	2	3	4	5	6	1	2	4	5	6	7
<b>GROUP 22-A WHEELS - WHEEL BALANCE WEIGHTS (CONT'D)</b>													
<b>Steel Disc Wheel (cont'd)</b>													
Assy. - 20x6.50 - 6 stud - Goodyear type - with side ring	1261741	..	..	..	..	..	*	..	..	..	..	..	..
Side ring	1190978	..	..	..	..	..	*	..	..	..	..	..	..
Assy. - 20x7 - 6 stud - with side ring	1392087	..	..	..	..	..	*	..	..	..	..	..	*
Side ring	1392080	..	..	..	..	..	*	..	..	..	..	..	*
Locking ring	1392081	..	..	..	..	..	*	..	..	..	..	..	*
<b>Wheel Balance Weights</b>													
Weight - 1 oz.	992994	*	..	..	..	..	..	*	..	..	..	..	..
Weight - 2 oz.	992995	*	..	..	..	..	..	*	..	..	..	..	..
Weight - 4 oz.	589681	..	*	*	*	*	*	..	*	*	*	*	*
Weight - 6 oz.	589682	..	*	*	*	*	*	..	*	*	*	*	*
<b>GROUP 22-B HUB AND DRUM</b>													
<b>Hub and Drum - Front Wheel</b>													
Assy. - right	668593	1	..	..	..	..	..	1	..	..	..	..	..
Assy. - left	856966	1	..	..	..	..	..	1	..	..	..	..	..
Assy. - right - note 1	921536	..	1	..	..	..	..	..	..	..	..	..	..
Assy. - left - note 1	921537	..	1	..	..	..	..	..	..	..	..	..	..
Assy. - right - note 2	1273774	..	1	..	..	..	..	..	..	..	..	..	..
Assy. - left - note 2	1273775	..	1	..	..	..	..	..	..	..	..	..	..
Assy. - right	1502060	..	..	..	..	..	..	..	1	..	..	..	..
Assy. - left	1502061	..	..	..	..	..	..	..	1	..	..	..	..
Assy. - right	1194218	..	..	1	1	..	..	..	..	1	..	..	..
Assy. - left	1194219	..	..	1	1	..	..	..	..	1	..	..	..
Assy. - right - H.D. axle	1196814	..	..	..	1	..	..	..	..	1	..	..	..
Assy. - left - H.D. axle	1196815	..	..	..	1	..	..	..	..	1	..	..	..
Assy. - right	1196814	..	..	..	..	1	..	..	..	..	1	..	..
Assy. - left	1196815	..	..	..	..	1	..	..	..	..	1	..	..
Assy. - right - 5 stud	1195236	..	..	..	..	..	1	..	..	..	..	1	..
Assy. - left - 5 stud	1195237	..	..	..	..	..	1	..	..	..	..	1	..
Assy. - right - 6 stud	1270092	..	..	..	..	..	1	..	..	..	..	1	1
Assy. - left - 6 stud	1270093	..	..	..	..	..	1	..	..	..	..	1	1
<b>Hub and Drum - Rear Wheel</b>													
Assy. - right	1137699	1	..	..	..	..	..	1	..	..	..	..	..
Assy. - left	1137700	1	..	..	..	..	..	1	..	..	..	..	..
Assy. - right - note 1	1194456	..	1	..	..	..	..	..	..	..	..	..	..
Assy. - left - note 1	1194457	..	1	..	..	..	..	..	..	..	..	..	..
Assy. - right - note 2	1273778	..	1	..	..	..	..	..	..	..	..	..	..
Assy. - left - note 2	1273779	..	1	..	..	..	..	..	..	..	..	..	..
Assy. - right	1273778	..	..	..	..	..	..	..	1	..	..	..	..
Assy. - left	1273779	..	..	..	..	..	..	..	1	..	..	..	..
Assy. - right - single wheels	1190412	..	..	1	..	..	..	..	..	..	..	..	..
Assy. - left - single wheels	1190413	..	..	1	..	..	..	..	..	..	..	..	..
Assy. - right - dual wheels - single speed axle	1190416	..	..	1	1	..	..	..	..	1	..	..	..
Assy. - left - dual wheels - single speed axle	1190417	..	..	1	1	..	..	..	..	1	..	..	..
Assy. - right - 2 speed axle	1195208	..	..	..	1	..	..	..	..	1	..	..	..
Assy. - left - 2 speed axle	1195209	..	..	..	1	..	..	..	..	1	..	..	..
Assy. - right - 5 stud	1195208	..	..	..	..	1	1	..	..	..	1	..	..
Assy. - left - 5 stud	1195209	..	..	..	..	1	1	..	..	..	1	..	..
Assy. - right - 5 stud	1394618	..	..	..	..	..	..	..	..	..	..	1	..
Assy. - left - 5 stud	1394619	..	..	..	..	..	..	..	..	..	..	1	..
Assy. - right - 6 stud - note Y	1195224	..	..	..	..	..	1	..	..	..	..	..	..
Assy. - left - 6 stud - note Y	1195225	..	..	..	..	..	1	..	..	..	..	..	..
Assy. - right - 6 stud - note Z	1266446	..	..	..	..	..	1	..	..	..	..	..	..
Assy. - left - 6 stud - note Z	1266447	..	..	..	..	..	1	..	..	..	..	..	..
Assy. - right - 6 stud	1394622	..	..	..	..	..	..	..	..	..	..	1	..
Assy. - left - 6 stud	1394623	..	..	..	..	..	..	..	..	..	..	1	..
Assy. - right - 6 stud	1394558	..	..	..	..	..	..	..	..	..	..	..	1
Assy. - left - 6 stud	1394559	..	..	..	..	..	..	..	..	..	..	..	1

Indicates amount used as required.

† Indicates parts included in packages.



**GROUP 22 - WHEELS**

PART NAME	PART NO.	MODEL CODES										
		DG AND FO					DH AND FP					
		1	2	3	4	5	6	1	2	4	5	6
<b>GROUP 22-C WHEEL HUB</b>												
<b>Wheel Hub - Front</b>												
Hub - right	682555	1	..	..	..	..	..	1	..	..	..	..
Hub - left	856955	1	..	..	..	..	..	1	..	..	..	..
Hub assy.	921535	..	2	..	..	..	..	..	..	..	..	..
Hub assy.	1502064	..	..	..	..	..	..	..	2	..	..	..
Hub assy.	1194221	..	..	2	2	..	..	..	..	2	..	..
Hub assy. -H.D. axle	1261184	..	..	..	2	..	..	..	..	2	..	..
Hub assy.	1261184	..	..	..	..	2	..	..	..	..	2	..
Hub assy. - right - 5 stud	1195238	..	..	..	..	..	1	..	..	..	..	1
Hub assy. - left - 5 stud	1195239	..	..	..	..	..	1	..	..	..	..	1
Hub assy. - right - 6 stud	1270094	..	..	..	..	..	1	..	..	..	..	1
Hub assy. - left - 6 stud	1270095	..	..	..	..	..	1	..	..	..	..	1
<b>Wheel Hub - Rear</b>												
Hub - right	1118868	1	..	..	..	..	..	1	..	..	..	..
Hub - left	1118869	1	..	..	..	..	..	1	..	..	..	..
Hub assy.	915614	..	2	..	..	..	..	..	2	..	..	..
Hub assy. - right - single wheels	1193688	..	..	1	..	..	..	..	..	..	..	..
Hub assy. - left - single wheels	1193689	..	..	1	..	..	..	..	..	..	..	..
Hub assy. - right - dual wheels - single speed axle	1193682	..	..	1	1	..	..	..	..	1	..	..
Hub assy. - left - dual wheels - single speed axle	1193683	..	..	1	1	..	..	..	..	1	..	..
Hub assy. - right - 2 speed axle	912610	..	..	..	1	..	..	..	..	1	..	..
Hub assy. - left - 2 speed axle	912611	..	..	..	1	..	..	..	..	1	..	..
Hub assy. - right - 5 stud	912610	..	..	..	..	1	1	..	..	..	1	1
Hub assy. - left - 5 stud	912611	..	..	..	..	1	1	..	..	..	1	1
Hub assy. - right - 6 stud - note "Y"	1195226	..	..	..	..	..	1	..	..	..	..	1
Hub assy. - left - 6 stud - note "Y"	1195227	..	..	..	..	..	1	..	..	..	..	1
Hub assy. - 6 stud - note Z	1266450	..	..	..	..	..	2	..	..	..	..	..
Hub assy. - right - 6 stud	1196224	..	..	..	..	..	..	..	..	..	..	1
Hub assy. - left - 6 stud	1196225	..	..	..	..	..	..	..	..	..	..	1
Oil slinger	915616	..	2	..	..	..	..	..	2	..	..	..
Oil slinger - note Z	1191848	..	..	..	..	..	2	..	..	..	..	..
<b>Hub Cap</b>												
Hub cap - Dodge	1196827	4	..	..	..	..	..	4	..	..	..	..
Hub cap - Fargo	1189780	4	..	..	..	..	..	4	..	..	..	..
Hub cap - De Soto	1118887	4	..	..	..	..	..	4	..	..	..	..
Hub cap - with 18x3.62 wheel	1118887	4	..	..	..	..	..	4	..	..	..	..
Spring clip	1316017	*	..	..	..	..	..	*	..	..	..	..
Spring clip - with 18x3.62 wheel	632801	*	..	..	..	..	..	*	..	..	..	..
Rivet	104068	*	..	..	..	..	..	*	..	..	..	..
Grease cap	600183	2	..	..	..	..	..	2	..	..	..	..
Grease cap	564052	..	2	2	2	2	2	..	2	2	2	2
<b>Hub Stud or Bolt - Front Wheel</b>												
Bolt - right	393984	5	..	..	..	..	..	5	..	..	..	..
Bolt - left	856981	5	..	..	..	..	..	5	..	..	..	..
Stud - right - note 1	913848	..	6	..	..	..	..	..	..	..	..	..
Stud - left - note 1	913849	..	6	..	..	..	..	..	..	..	..	..
Stud - right - note 2	1273554	..	6	..	..	..	..	..	6	..	..	..
Stud - left - note 2	1273555	..	6	..	..	..	..	..	6	..	..	..
Stud - right	924628	..	..	5	5	..	..	..	..	5	..	..
Stud - left	924629	..	..	5	5	..	..	..	..	5	..	..
Stud - right - H.D. axle	1261180	..	..	..	5	..	..	..	..	5	..	..
Stud - left - H.D. axle	1261181	..	..	..	5	..	..	..	..	5	..	..
Stud - right	1261180	..	..	..	..	5	..	..	..	..	5	..
Stud - left	1261181	..	..	..	..	5	..	..	..	..	5	..
Stud - right	567928	..	..	..	..	..	*	..	..	..	..	* 6
Stud - left	567929	..	..	..	..	..	*	..	..	..	..	* 6
<b>Hub Stud or Bolt - Rear Wheel</b>												
Bolt - right	393984	5	..	..	..	..	..	5	..	..	..	..
Bolt - left	856981	5	..	..	..	..	..	5	..	..	..	..
Stud - right - note 1	913848	..	6	..	..	..	..	..	..	..	..	..
Stud - left - note 1	913849	..	6	..	..	..	..	..	..	..	..	..

Indicates amount used as required.

† Indicates parts included in packages.

**GROUP 22 - WHEELS**

PART NAME	PART NO.	MODEL CODES											
		DG AND FO					DH AND FP						
		1	2	3	4	5	6	1	2	4	5	6	7
<b>GROUP 22-C WHEEL HUB (CONT'D)</b>													
<b>Hub Stud or Bolt - Rear Wheel (cont'd)</b>													
Stud - right - note 2	1273576	..	6	..	..	..	..	..	6	..	..	..	..
Stud - left - note 2	1273577	..	6	..	..	..	..	..	6	..	..	..	..
Stud - right - single wheels	924628	..	..	5	..	..	..	..	..	..	..	..	..
Stud - left - single wheels	924629	..	..	5	..	..	..	..	..	..	..	..	..
Stud - right - note "Y"	532062	..	..	..	5	5	5	..	..	5	5	5	..
Stud - left - note "Y"	532063	..	..	..	5	5	5	..	..	5	5	5	..
Stud - right - note "Z"	1191846	..	..	..	..	..	6	..	..	..	..	..	..
Stud - left - note "Z"	1191847	..	..	..	..	..	6	..	..	..	..	..	..
Stud - right	532062	..	..	..	..	..	..	..	..	..	..	..	6
Stud - left	532063	..	..	..	..	..	..	..	..	..	..	..	6
<b>Hub Stud Nut - Front Wheel</b>													
Nut - right - note 1	913812	..	6	..	..	..	..	..	..	..	..	..	..
Nut - left - note 1	913813	..	6	..	..	..	..	..	..	..	..	..	..
Nut - right - note 2	1273556	..	6	..	..	..	..	..	6	..	..	..	..
Nut - left - note 2	1273557	..	6	..	..	..	..	..	6	..	..	..	..
Nut - right	585192	..	..	5	5	5	*	..	..	5	5	*	6
Nut - left	585193	..	..	5	5	5	*	..	..	5	5	*	6
<b>Hub Stud Nut - Rear Wheel</b>													
Nut - right - note 1	913812	..	6	..	..	..	..	..	..	..	..	..	..
Nut - left - note 1	913813	..	6	..	..	..	..	..	..	..	..	..	..
Nut - right - note 2	1273556	..	6	..	..	..	..	..	6	..	..	..	..
Nut - left - note 2	1273557	..	6	..	..	..	..	..	6	..	..	..	..
Nut - right - single wheels	585192	..	..	5	..	..	..	..	..	..	..	..	..
Nut - left - single wheels	585193	..	..	5	..	..	..	..	..	..	..	..	..
Nut - right - inner	503551	..	..	..	5	5	*	..	..	5	5	*	6
Nut - left - inner	503550	..	..	..	5	5	*	..	..	5	5	*	6
Nut - right - outer	585194	..	..	..	5	5	*	..	..	5	5	*	6
Nut - left - outer	585195	..	..	..	5	5	*	..	..	5	5	*	6
Hub stud nut	124645	..	..	..	*	*	*	..	..	*	*	*	12
<b>GROUP 22-D BRAKE DRUM</b>													
<b>Brake Drum - Front Wheel</b>													
Assy.	659261	2	..	..	..	..	..	2	..	..	..	..	..
Assy.	916946	..	2	..	..	..	..	..	..	..	..	..	..
Assy.	1502065	..	..	..	..	..	..	..	2	..	..	..	..
Assy.	1194243	..	..	2	2	2	..	..	..	2	2	..	..
Assy.	1195241	..	..	..	..	..	2	..	..	..	..	2	2
Rivet	104102	8	..	..	..	..	..	8	..	..	..	..	..
Pilot rivet	642911	2	..	..	..	..	..	2	..	..	..	..	..
Bolt - drum to hub	1272955	..	..	..	..	..	10	..	..	..	..	10	10
Nut - 5 stud	120371	..	..	..	..	..	10	..	..	..	..	10	..
Nut - 6 stud	126016	..	..	..	..	..	10	..	..	..	..	10	10
Lockwasher	120384	..	..	..	..	..	10	..	..	..	..	10	10
<b>Brake Drum - Rear Wheel</b>													
Assy.	693524	2	..	..	..	..	..	2	..	..	..	..	..
Assy.	1194445	..	2	..	..	..	..	..	2	..	..	..	..
Assy.	1190426	..	..	2	..	..	..	..	..	..	..	..	..
Assy. - 5 stud	1190419	..	..	..	2	2	2	..	..	2	2	..	..
Assy. - 5 stud	1501516	..	..	..	..	..	..	..	..	..	..	2	..
Assy. - 6 stud - note Y	1195231	..	..	..	..	..	2	..	..	..	..	..	..
Assy. - 6 stud - note "Z"	1191844	..	..	..	..	..	2	..	..	..	..	..	..
Assy. - 6 stud	1501513	..	..	..	..	..	..	..	..	..	..	2	..
Assy. - 6 stud	1501514	..	..	..	..	..	..	..	..	..	..	..	2
Rivet - hub to drum	104102	8	..	..	..	..	..	8	..	..	..	..	..
Pilot rivet	642911	2	..	..	..	..	..	2	..	..	..	..	..
Bolt - single	1272955	..	..	10	..	..	..	..	..	..	..	..	..
<b>GROUP 22-E WHEEL BEARINGS</b>													
<b>Front Wheel Bearing Cone</b>													
Cone - inner	698395	2	..	..	..	..	..	2	..	..	..	..	..
Cone - outer	698389	2	..	..	..	..	..	2	..	..	..	..	..

Indicates amount used as required.

† Indicates parts included in packages.

**GROUP 22 - WHEELS**

PART NAME	PART NO.	MODEL CODES											
		DG AND FO					DH AND FP						
		1	2	3	4	5	6	1	2	4	5	6	7
<b>GROUP 22-E WHEEL BEARINGS (CONT'D)</b>													
<b>Front Wheel Bearing Cone (cont'd)</b>													
Cone - inner - - - - -	698410	..	2	..	..	..	..	..	2	..	..	..	..
Cone - outer - - - - -	913204	..	2	..	..	..	..	..	2	..	..	..	..
Cone - inner - - - - -	919265	..	..	2	2	..	..	..	..	2	..	..	..
Cone - outer - - - - -	1262533	..	..	2	2	..	..	..	..	2	..	..	..
Cone - inner - H.D. axle - - - - -	918967	..	..	..	2	..	..	..	..	2	..	..	..
Cone - outer - H.D. axle - - - - -	564025	..	..	..	2	..	..	..	..	2	..	..	..
Cone - inner - - - - -	918967	..	..	..	..	2	2	..	..	..	2	2	2
Cone - outer - - - - -	564025	..	..	..	..	2	2	..	..	..	2	2	2
<b>Front Wheel Bearing Cup</b>													
Cup - inner - - - - -	698394	2	2	..	..	..	..	2	2	..	..	..	..
Cup - outer - - - - -	698388	2	..	..	..	..	..	2	..	..	..	..	..
Cup - outer - - - - -	913203	..	2	..	..	..	..	..	2	..	..	..	..
Cup - inner - - - - -	919266	..	..	2	2	..	..	..	..	2	..	..	..
Cup - outer - - - - -	698401	..	..	2	2	..	..	..	..	2	..	..	..
Cup - inner - H.D. axle - - - - -	305654	..	..	..	2	..	..	..	..	2	..	..	..
Cup - outer - H.D. axle - - - - -	698390	..	..	..	2	..	..	..	..	2	..	..	..
Cup - inner - - - - -	305654	..	..	..	..	2	2	..	..	..	2	2	2
Cup - outer - - - - -	698390	..	..	..	..	2	2	..	..	..	2	2	2
<b>Front Wheel Bearing Dust Seal</b>													
Assy. - - - - -	668479	2	2	..	..	..	..	2	2	..	..	..	..
Assy. - - - - -	919277	..	..	2	2	..	..	..	..	2	..	..	..
Assy. - H.D. axle - - - - -	919250	..	..	..	2	..	..	..	..	2	..	..	..
Assy. - - - - -	919250	..	..	..	..	2	2	..	..	..	2	2	2
<b>Front Wheel Bearing Nut</b>													
Nut - - - - -	33208	2	..	..	..	..	..	2	..	..	..	..	..
Nut - - - - -	921538	..	2	..	..	..	..	..	2	..	..	..	..
Washer - - - - -	600194	2	2	..	..	..	..	2	2	..	..	..	..
Cotter - - - - -	119209	2	2	..	..	..	..	2	2	..	..	..	..
Nut - - - - -	1263313	..	..	2	2	..	..	..	..	2	..	..	..
Washer - - - - -	1262540	..	..	2	2	..	..	..	..	2	..	..	..
Nut - H.D. axle - - - - -	564045	..	..	..	2	..	..	..	..	2	..	..	..
Nut - - - - -	564045	..	..	..	..	2	2	..	..	..	2	2	2
Washer - - - - -	564046	..	..	..	2	2	2	..	..	2	2	2	2
Cotter - - - - -	103399	..	..	..	2	2	2	..	..	2	2	2	2
<b>Rear Wheel Bearing Cone</b>													
Cone - inner - - - - -	927017	..	2	..	..	..	..	..	2	..	..	..	..
Cone - outer - - - - -	927018	..	2	..	..	..	..	..	2	..	..	..	..
Cone - inner - single speed axle - - - - -	563741	..	..	2	2	..	..	..	..	2	..	..	..
Cone - outer - single speed axle - - - - -	503241	..	..	2	2	..	..	..	..	2	..	..	..
Cone - inner - 2 speed axle - - - - -	571823	..	..	..	2	..	..	..	..	2	..	..	..
Cone - outer - 2 speed axle - - - - -	563567	..	..	..	2	..	..	..	..	2	..	..	..
Cone - inner - note "Y" - - - - -	571823	..	..	..	..	2	2	..	..	..	2	2	..
Cone - outer - note "Y" - - - - -	563567	..	..	..	..	2	2	..	..	..	2	2	..
Cone - inner - note "Z" - - - - -	1191786	..	..	..	..	..	2	..	..	..	..	..	..
Cone - outer - note "Z" - - - - -	1193606	..	..	..	..	..	2	..	..	..	..	..	..
Cone - inner - - - - -	1196228	..	..	..	..	..	..	..	..	..	..	..	2
Cone - outer - - - - -	1193606	..	..	..	..	..	..	..	..	..	..	..	2
<b>Rear Wheel Bearing Cup</b>													
Cup - inner - - - - -	927015	..	2	..	..	..	..	..	2	..	..	..	..
Cup - outer - - - - -	927016	..	2	..	..	..	..	..	2	..	..	..	..
Cup - inner - single speed axle - - - - -	563568	..	..	2	2	..	..	..	..	2	..	..	..
Cup - outer - single speed axle - - - - -	1193676	..	..	2	2	..	..	..	..	2	..	..	..
Cup - inner - 2 speed axle - - - - -	571824	..	..	..	2	..	..	..	..	2	..	..	..
Cup - outer - 2 speed axle - - - - -	563568	..	..	..	2	..	..	..	..	2	..	..	..
Cup - inner - - - - -	571824	..	..	..	..	2	..	..	..	..	2	..	..
Cup - outer - - - - -	563568	..	..	..	..	2	..	..	..	..	2	..	..
Cup - inner - single speed axle - - - - -	571824	..	..	..	..	..	2	..	..	..	..	2	..
Cup - outer - single speed axle - - - - -	563568	..	..	..	..	..	2	..	..	..	..	2	..
Cup - inner - note "Y" - - - - -	571824	..	..	..	..	..	2	..	..	..	..	2	..
Cup - outer - note "Y" - - - - -	563568	..	..	..	..	..	2	..	..	..	..	2	..
Cup - inner - note "Z" - - - - -	579071	..	..	..	..	..	2	..	..	..	..	..	..
Cup - outer - note "Z" - - - - -	1193605	..	..	..	..	..	2	..	..	..	..	..	..

Indicates amount used as required.

† Indicates parts included in packages.

GROUP 22 - WHEELS

PART NAME	PART NO.	MODEL CODES										
		DG AND FO					DH AND FP					
		1	2	3	4	5	6	1	2	4	5	6
<b>GROUP 22-E WHEEL BEARINGS (CONT'D)</b>												
<b>Rear Wheel Bearing Cup</b>												
Cup - inner - - - - -	1191990	..	..	..	..	..	..	..	..	..	..	2
Cup - outer - - - - -	1193605	..	..	..	..	..	..	..	..	..	..	2
<b>Rear Wheel Bearing Adjusting Nut</b>												
Inner nut assy. - - - - -	915395	..	2	..	..	..	..	..	2	..	..	..
Outer nut - - - - -	915398	..	2	..	..	..	..	..	2	..	..	..
Lock - - - - -	915397	..	2	..	..	..	..	..	2	..	..	..
Inner nut assy. - single speed axle - - - - -	592813	..	..	2	2	..	..	..	..	2	..	..
Outer nut - - - - -	592816	..	..	2	2	..	..	..	..	2	..	..
Lock - - - - -	574324	..	..	2	2	..	..	..	..	2	..	..
Inner nut assy. - 2 speed axle - - - - -	574556	..	..	..	2	..	..	..	..	2	..	..
Outer nut - - - - -	574558	..	..	..	2	..	..	..	..	2	..	..
Lock - - - - -	574559	..	..	..	2	..	..	..	..	2	..	..
Pin - - - - -	574325	..	..	..	2	..	..	..	..	2	..	..
Inner nut assy. - note "Y" - - - - -	574556	..	..	..	..	2	2	..	..	..	2	2
Outer nut - - - - -	574558	..	..	..	..	2	2	..	..	..	2	2
Lock - - - - -	574559	..	..	..	..	2	2	..	..	..	2	2
Pin - - - - -	574325	..	..	..	..	2	2	..	..	..	2	2
Inner nut assy. - note "Z" - - - - -	1191696	..	..	..	..	..	2	..	..	..	..	2
Outer nut - - - - -	1191697	..	..	..	..	..	2	..	..	..	..	2
Lock - - - - -	1191698	..	..	..	..	..	2	..	..	..	..	2
<b>Rear Wheel Bearing Oil Seal</b>												
Assy. - inner - - - - -	915499	..	2	..	..	..	..	..	2	..	..	..
Snap ring - - - - -	915498	..	2	..	..	..	..	..	2	..	..	..
Oil seal and retainer - outer - - - - -	915496	..	2	..	..	..	..	..	2	..	..	..
Gasket - - - - -	915565	..	4	..	..	..	..	..	4	..	..	..
Assy. - single speed axle - - - - -	574362	..	..	2	2	..	..	..	..	2	..	..
Assy. - 2 speed axle - - - - -	574563	..	..	..	2	..	..	..	..	2	..	..
Assy. - note "Y" - - - - -	574563	..	..	..	..	2	2	..	..	..	2	2
Assy. - inner - note "Z" - - - - -	1263697	..	..	..	..	..	2	..	..	..	..	..
Oil seal pkg. - outer - note "Z" - - - - -	1243658	..	..	..	..	..	2	..	..	..	..	..
Sleeve assy. - with gasket - note "Z" - - - - -	1263023	..	..	..	..	..	2	..	..	..	..	..
Assy. - - - - -	1196233	..	..	..	..	..	..	..	..	..	..	2
<b>GROUP 22-F UNDERSLUNG TIRE CARRIER</b>												
<b>Underslung Tire Carrier - For 16" Wheel</b>												
Hanger assy. - - - - -	592143	1	1	..	..	..	..	1	1	..	..	..
Bolt - left - 116"-8.25x16 tire - - - - -	1268744	..	1	..	..	..	..	..	..	..	..	..
Bolt - right - 8.25x16 tire - - - - -	1268745	..	1	..	..	..	..	..	..	..	..	..
Bolt - right - - - - -	590234	1	1	..	..	..	..	1	1	..	..	..
Bolt - left - - - - -	590235	1	1	..	..	..	..	1	1	..	..	..
Bolt - left - 116" W.B. - - - - -	590237	..	1	..	..	..	..	..	..	..	..	..
Nut - adj. - - - - -	590924	1	1	..	..	..	..	1	1	..	..	..
Nut - lock - - - - -	124589	2	2	..	..	..	..	2	2	..	..	..
Nut - bolt to frame - - - - -	124589	1	1	..	..	..	..	1	1	..	..	..
Cotter - - - - -	119209	1	1	..	..	..	..	1	1	..	..	..
Strap - - - - -	589616	1	2	..	..	..	..	..	..	..	..	..
Rivet - - - - -	104113	*	*	..	..	..	..	..	..	..	..	..
Strap - - - - -	915782	..	..	..	..	..	..	1	2	..	..	..
Rivet - - - - -	104113	..	..	..	..	..	..	*	*	..	..	..
<b>Underslung Tire Carrier - For 20" Wheels</b>												
Assy. - 6.50-7.00-7.50x20 tire - - - - -	574753	..	..	1	1	1	1	..	..	1	1	1
Assy. - 8.25-9.00-10.00x20 - - - - -	572084	..	..	..	1	1	1	..	..	1	1	1
Rivet - - - - -	104098	..	..	*	*	*	*	..	..	*	*	*
Bolt - rim support - - - - -	121661	..	..	2	2	2	2	..	..	2	2	2
Nut - - - - -	120368	..	..	2	2	2	2	..	..	2	2	2
Lockwasher - - - - -	120214	..	..	2	2	2	2	..	..	2	2	2
Bracket - - - - -	564253	..	..	2	2	2	2	..	..	2	2	2
Bolt - - - - -	120647	..	..	4	4	4	4	..	..	4	4	4
Nut - - - - -	120369	..	..	4	4	4	4	..	..	4	4	4
Lockwasher - - - - -	120382	..	..	4	4	4	4	..	..	4	4	4
Support rod assy. - with 574753 assy. - - - - -	581721	..	..	2	2	2	2	..	..	2	2	2
Support rod assy. - with 572084 assy. - - - - -	1190968	..	..	..	2	2	2	..	..	2	2	2

Indicates amount used as required.

† Indicates parts included in packages.

**GROUP 22 - WHEELS**

PART NAME	PART NO.	MODEL CODES													
		DG AND FO						DH AND FP							
		1	2	3	4	5	6	1	2	4	5	6	7		
<b>GROUP 22-F UNDERSLUNG TIRE CARRIER (CONT'D)</b>															
<b>Underslung Tire Carrier - For 20" Wheels Cont'd</b>															
Pin - - - - -	138081	..	..	2	2	2	2	..	..	2	2	2	2		
Plainwasher - - - - -	446248	..	..	2	2	2	2	..	..	2	2	2	2		
Cotter - - - - -	119209	..	..	2	2	2	2	..	..	2	2	2	2		
Lock nut - - - - -	564256	..	..	1	1	1	1	..	..	1	1	1	1		
Adj. nut - - - - -	564257	..	..	1	1	1	1	..	..	1	1	1	1		
Nut - - - - -	124589	..	..	2	2	2	2	..	..	2	2	2	2		
Strap - 2 used on 192" - 212" W.B. - - - - -	595974	..	..	1	1	1	1	..	..	1	1	1	1		
Rivet - - - - -	104113	..	..	*	*	*	*	..	..	*	*	*	*		
Bolt - - - - -	120647	..	..	*	*	*	*	..	..	*	*	*	*		
Nut - - - - -	120369	..	..	*	*	*	*	..	..	*	*	*	*		
Lockwasher - - - - -	120382	..	..	*	*	*	*	..	..	*	*	*	*		
<b>GROUP 22-G TIRE CARRIER - REAR OF CAB</b>															
<b>Tire Carrier - Rear of Cab</b>															
Arm assy. - - - - -	576190	..	..	2	2	2	2	..	..	2	2	2	2		
Bolt - arm hinge - - - - -	576193	..	..	2	2	2	2	..	..	2	2	2	2		
Nut - - - - -	125267	..	..	2	2	2	2	..	..	2	2	2	2		
Cotter - - - - -	119209	..	..	2	2	2	2	..	..	2	2	2	2		
Spacer - - - - -	576194	..	..	2	2	2	2	..	..	2	2	2	2		
Clamp bolt assy. - 6.00-6.50x20 tires - - - - -	576943	..	..	2	2	2	2	..	..	2	2	2	2		
Clamp bolt assy. - 7.00-7.50-8.25x20 tires - - - - -	578889	..	..	2	2	2	2	..	..	2	2	2	2		
Nut - - - - -	576196	..	..	2	2	2	2	..	..	2	2	2	2		
Cotter - - - - -	103399	..	..	2	2	2	2	..	..	2	2	2	2		
Support assy. - 6.00-6.50-700x20 tires - - - - -	578894	..	..	1	1	1	1	..	..	1	1	1	1		
Support assy. - 7.50-8.25x20 tires - - - - -	578893	..	..	1	1	1	1	..	..	1	1	1	1		
Hinge reinf. - - - - -	578803	..	..	2	2	2	2	..	..	2	2	2	2		
Rivet - to frame - - - - -	104131	..	..	4	4	4	4	..	..	4	4	4	4		

**NOTES:**

---

---

---

---

---

---

---

---

---

---

---

---

---

---

---

---

---

---

---

---

---

---

---

---

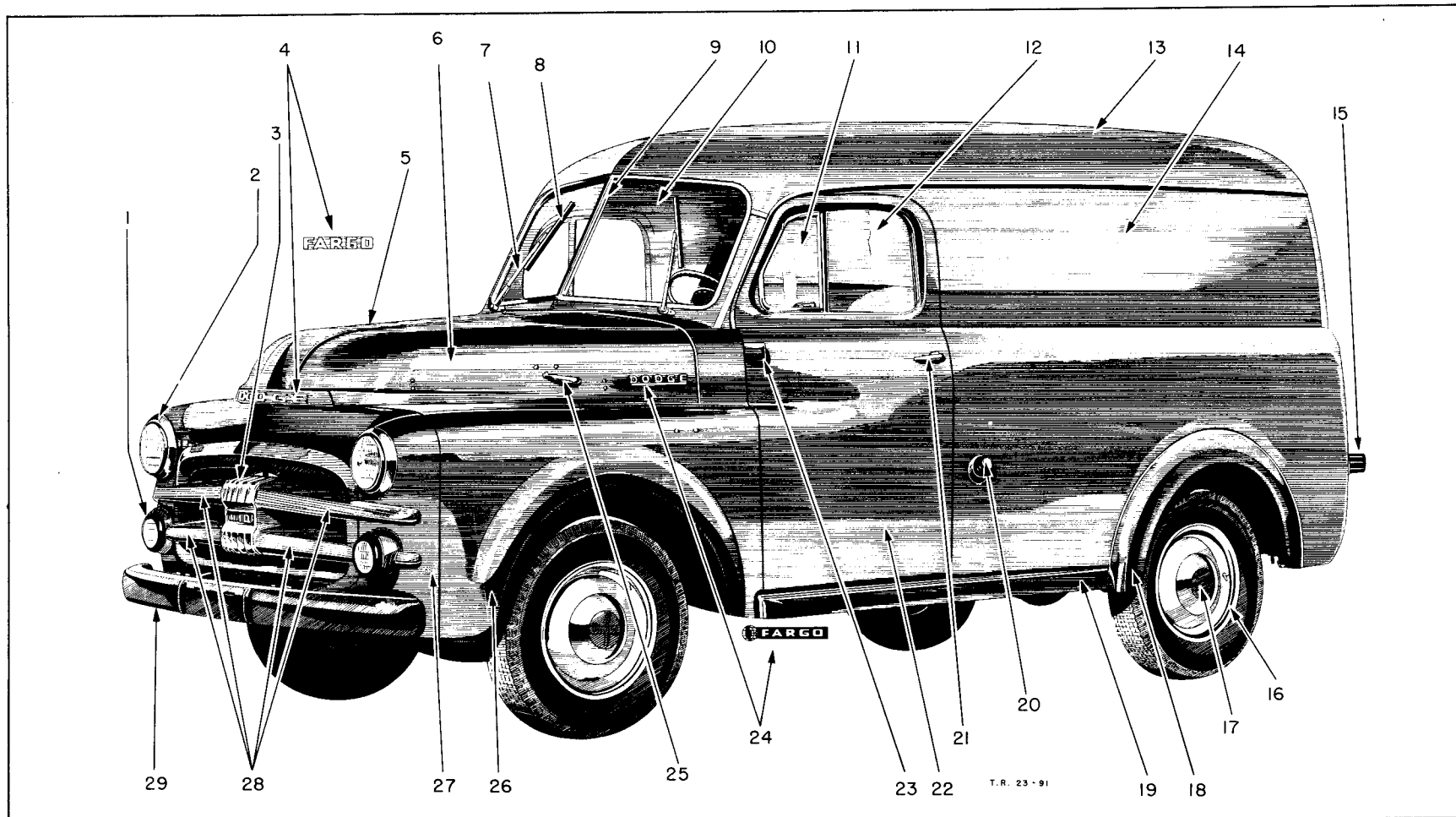
---

Indicates amount used as required.

† Indicates parts included in packages.

# CHASSIS AND PANEL BODY

Plate 50

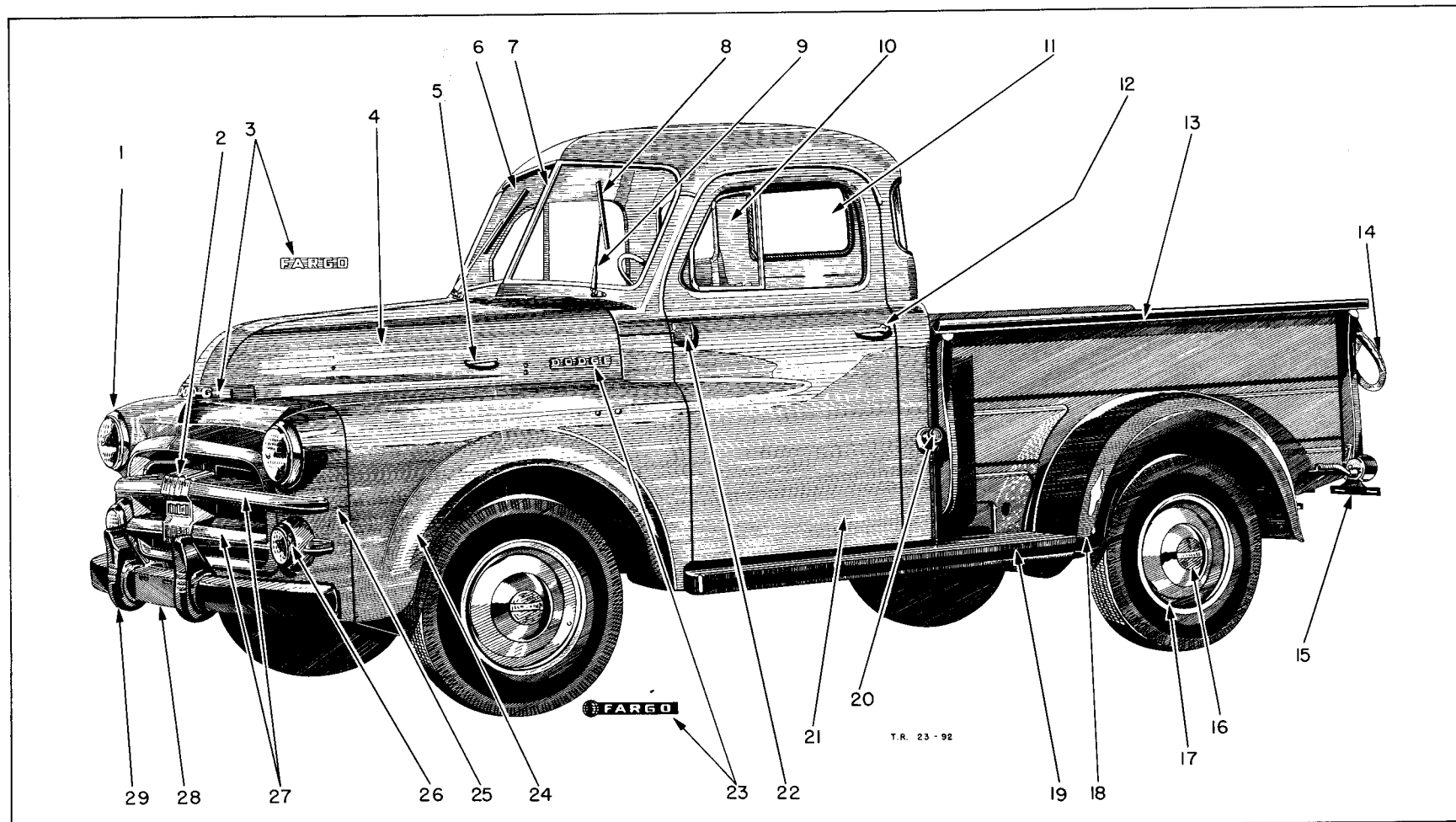


Ref. No.	Part Name	Group	Ref. No.	Part Name	Group	Ref. No.	Part Name	Group
1	Parking lamp.....	8-M	11	Door vent glass.....	23-F	21	Front door handle.....	23-F
2	Headlamp.....	8-L	12	Door glass.....	23-F	22	Front door assy.....	23-F
3	Grille medallion.....	7-C	13	Roof panel.....	23-D	23	Front door hinge.....	23-F
4	Grille name plate.....	7-C	14	Body side panel.....	23-D	24	Hood name plate.....	15-A
5	Hood center panel.....	15-A	15	Rear bumper.....	13-H	25	Hood lock handle.....	15-A
6	Hood side panel.....	15-A	16	Wheel assy.....	22-A	26	Front fender.....	12-B
7	Wiper arm.....	23-K	17	Hub cap.....	22-C	27	Radiator grille panel.....	7-C
8	Wiper blade.....	23-K	18	Rear fender.....	12-D	28	Radiator grill moulding.....	7-C
9	Windshield center bar.....	23-J	19	Running board.....	12-E	29	Front bumper.....	13-G
10	Windshield glass.....	23-J	20	Fuel tank cap.....	14-I			

GROUP 23 - BODY

23-1

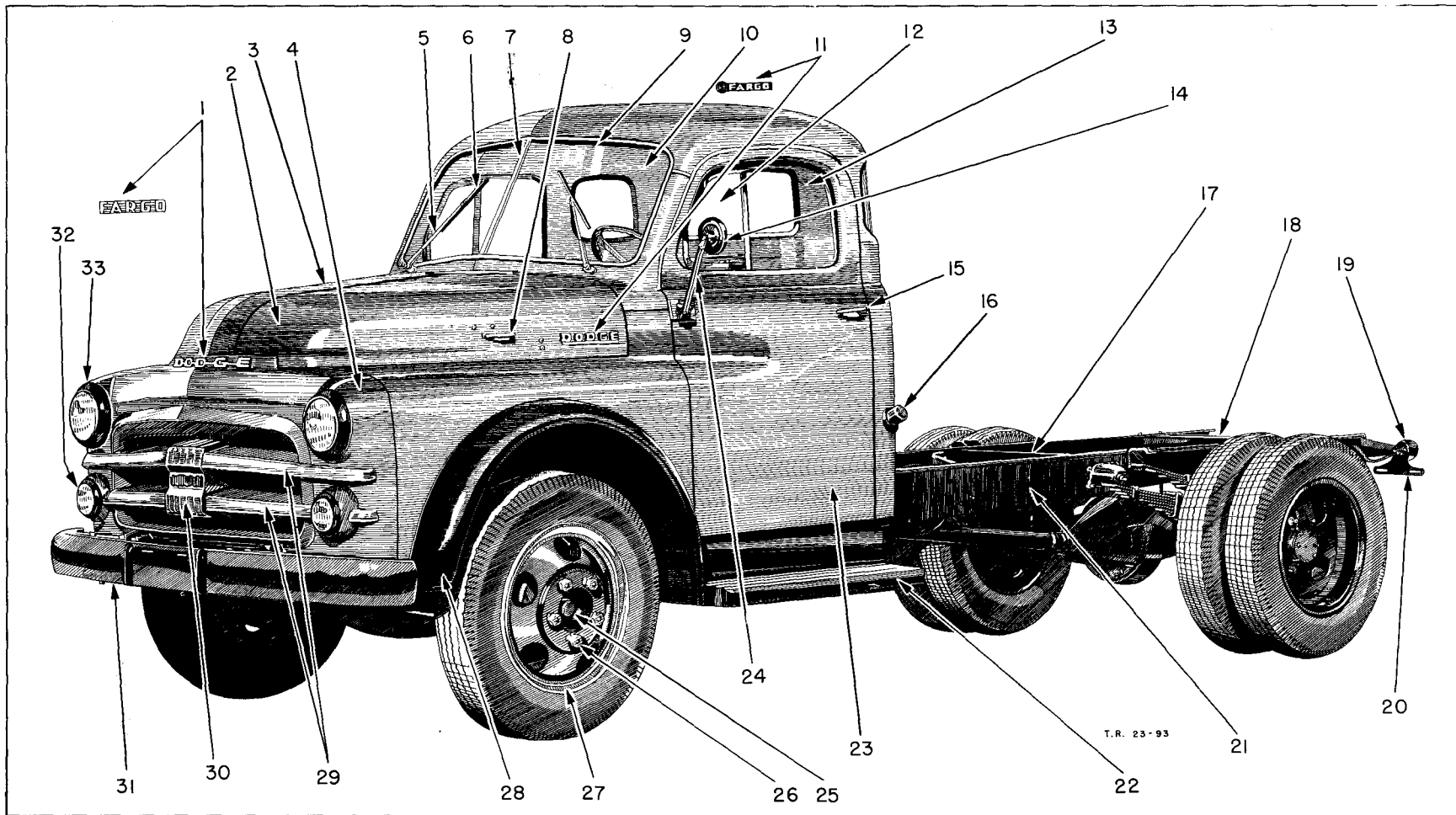
CAB AND EXPRESS BODY



Ref. No.	Part Name	Group	Ref. No.	Part Name	Group	Ref. No.	Part Name	Group
1	Head lamp.....	8-L	11	Door glass.....	23-F	21	Door Assy.....	23-F
2	Grille medallion.....	7-C	12	Door handle.....	23-F	22	Door hinge.....	23-F
3	Grille name plate.....	7-C	13	Side panel assy.....	24-F	23	Hood name plate.....	15-A
4	Hood side panel.....	15-A	14	Tailgate chain and cover.....	24-A	24	Front fender.....	12-B
5	Hood lock handle.....	15-A	15	Rear license bracket.....	8-0	25	Radiator grille panel.....	7-C
6	Windshield glass.....	23-J	16	Hub cap.....	22-C	26	Parking lamp.....	8-M
7	Windshield centre bar.....	23-J	17	Wheel assy.....	22-A	27	Grille moulding.....	7-C
8	Wiper blade.....	23-K	18	Rear fender.....	12-D	28	Front bumper.....	13-G
9	Wiper arm.....	23-K	19	Running board.....	12-E	29	Front bumper buffer plate.....	13-I
10	Door vent glass.....	23-F	20	Fuel tank cap.....	14-I			

# CHASSIS AND CAB

Plate 52

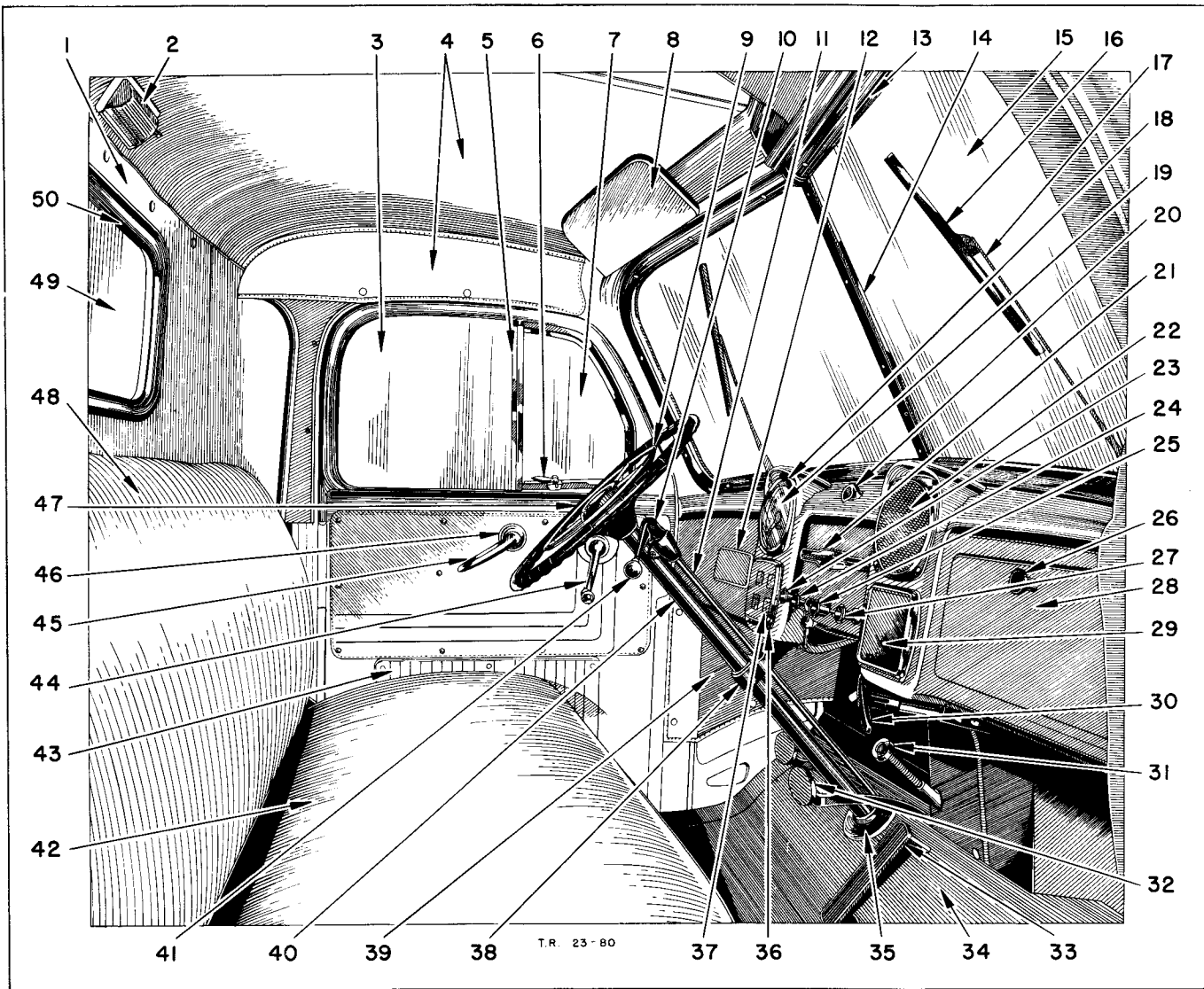


GROUP 23 - BODY

Ref. No.	Part Name	Group	Ref. No.	Part Name	Group	Ref. No.	Part Name	Group
1	Grille name plate.....	7-C	12	Door vent glass.....	23-F	23	Door assy.....	23-F
2	Hood side panel.....	15-A	13	Door glass.....	23-F	24	Rear view mirror.....	23-L
3	Hood centre panel.....	15-A	14	Rear view mirror.....	23-L	25	Front hub cap.....	22-C
4	Radiator grille panel.....	7-C	15	Door handle.....	23-F	26	Hub stud nut.....	22-C
5	Wiper arm.....	23-K	16	Fuel tank cap.....	14-I	27	Wheel.....	22-A
6	Wiper blade.....	23-K	17	Rear spring front crossmember.....	13-C	28	Front fender.....	12-B
7	Windshield centre bar.....	23-J	18	Frame rear crossmember.....	13-C	29	Grille moulding.....	7-C
8	Hood lock handle.....	15-A	19	Tail lamp.....	8-N	30	Grille medallion.....	7-C
9	Windshield garnish moulding.....	23-J	20	Rear license bracket.....	8-O	31	Front bumper.....	13-G
10	Windshield glass.....	23-J	21	Frame assy.....	13-A	32	Parking lamp.....	8-M
11	Hood name plate.....	15-A	22	Running board.....	12-E	33	Headlamp.....	8-L

23-3

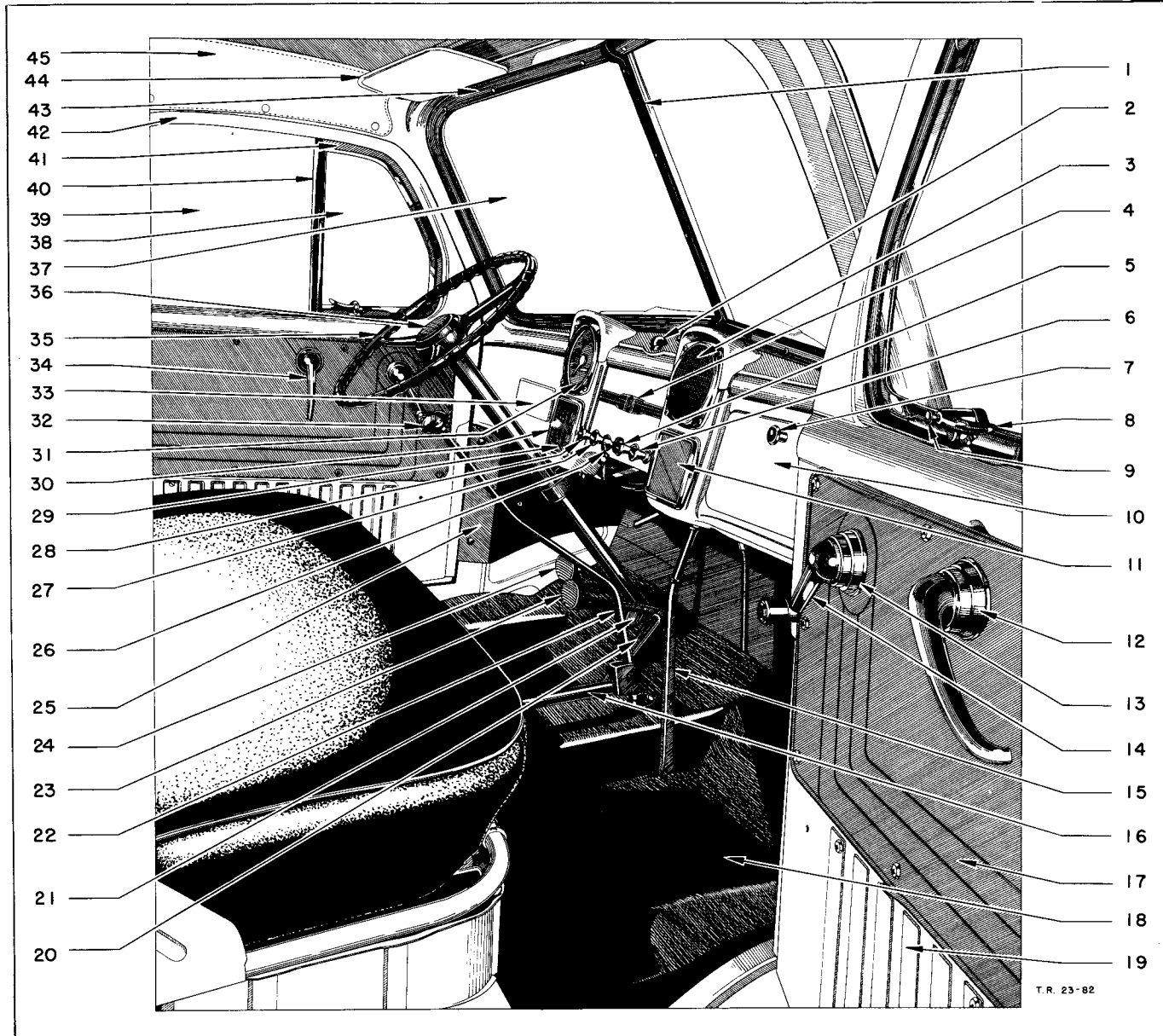




Ref. No.	Part Name	Group
1	Rear trim panel.....	23-1
2	Dome lamp bezel w/lens.....	8-M
3	Door window rear glass.....	23-F
4	Roof trim panel.....	23-1
5	Window division bar.....	23-F
6	Vent wing handle.....	23-F
7	Vent wing glass.....	23-F
8	Sun visor.....	23-1
9	Horn blowing ring.....	19-H
10	Gearshift lever.....	19-1
11	Gearshift rod.....	19-1
12	Radio hole cover.....	23-A
13	Windshield garnish moulding.....	23-J
14	Windshield center bar.....	23-J
15	Windshield glass.....	23-J
16	Windshield wiper blade.....	23-K
17	Windshield wiper arm.....	23-K
18	Speedometer.....	21-E
19	Speedometer dial glass.....	21-E
20	Windshield wiper knob.....	23-K
21	Center panel moulding.....	23-A
22	Radio speaker grille.....	23-A
23	Headlamp switch control knob.....	8-1
24	Panel lamp switch control knob.....	8-1
25	Choke control knob.....	14-B

Ref. No.	Part Name	Group
26	Glove box door knob.....	23-A
27	Throttle control knob.....	14-B
28	Glove box door.....	23-A
29	Ash receiver opening cover.....	23-A
30	Hand brake lever.....	4-B
31	Started motor pedal.....	8-D
32	Brake pedal.....	5-H
33	Accelerator pedal.....	14-A
34	Floor mat.....	23-E
35	Steering post collar.....	23-A
36	Instrument bezel.....	23-A
37	Instrument dial glass.....	8-G
38	Steering post bracket.....	23-A
39	Cowl trim panel.....	23-1
40	Steering column jacket.....	19-E
41	Gearshift lever knob.....	19-1
42	Seat cushion.....	23-H
43	Inside panel inspection cover.....	23-F
44	Door window regulator handle.....	23-F
45	Door lock remote control handle.....	23-F
46	Remote control handle escutcheon.....	23-F
47	Steering wheel.....	19-H
48	Seat back cushion.....	23-H
49	Rear center window glass.....	23-C
50	Rear window glass weatherstrip.....	23-C

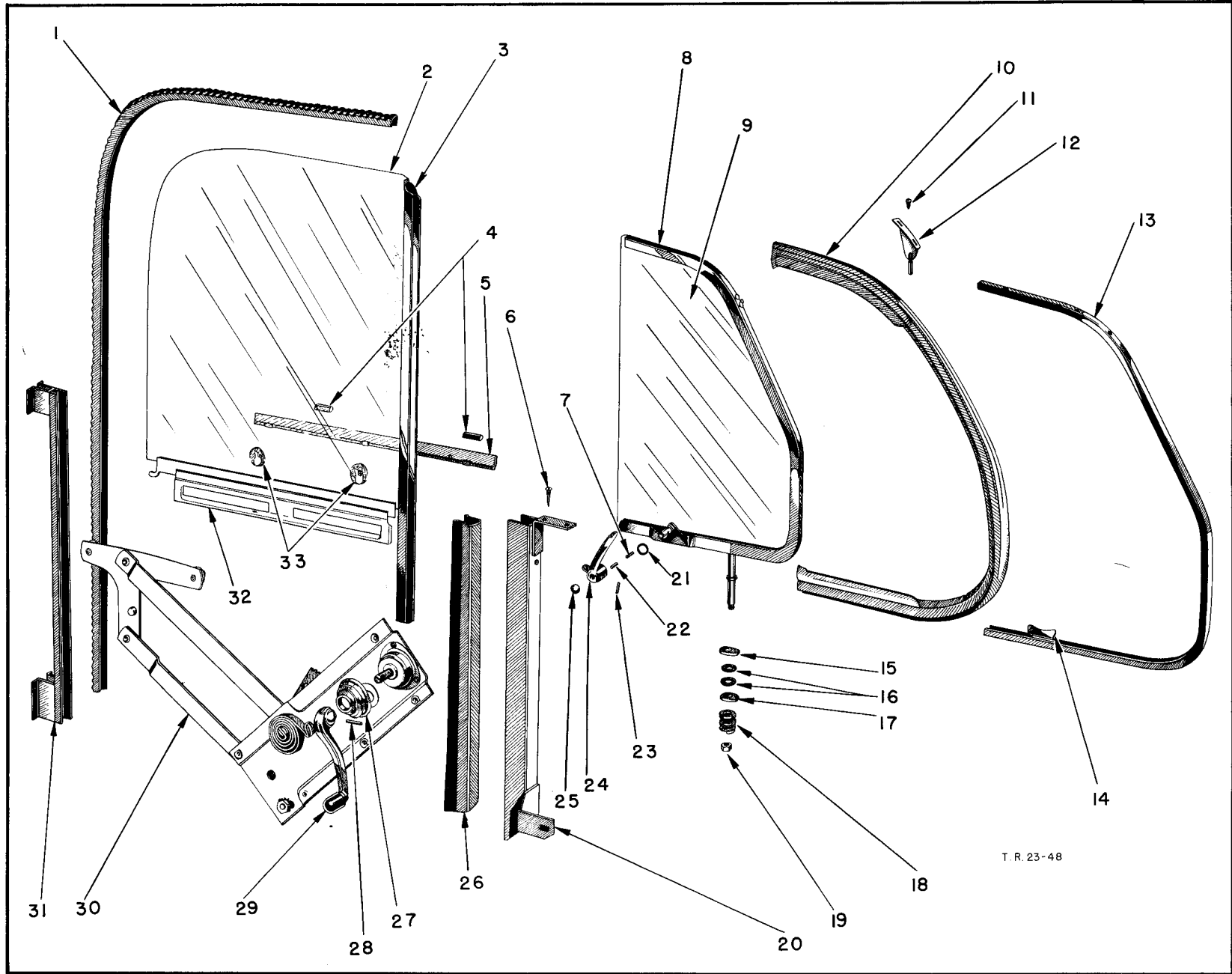
CAB - INTERIOR VIEW



Ref. No.	Part Name	Group
1	Windshield center bar.....	23-J
2	Windshield wiper knob.....	23-K
3	Radio speaker grille.....	23-A
4	Center panel moulding.....	23-A
5	Choke control knob.....	14-B
6	Throttle control knob.....	14-B
7	Glove box door.....	23-A
8	Vent wing handle.....	23-F
9	Vent wing handle key button.....	23-F
10	Glove box door.....	23-A
11	Ash receiver opening cover.....	23-A
12	Door handle escutcheon.....	23-F
13	Regulator handle escutcheon.....	23-F
14	Window regulator handle.....	23-F
15	Hand brake lever.....	4-B
16	Gearshift lever control rod.....	19-I
17	Front door trim panel.....	23-I
18	Floor mat.....	23-E
19	Door inspection hole cover.....	23-F
20	Accelerator pedal.....	14-A
21	Steering post collar.....	23-A
22	Gearshift lever.....	19-I
23	Brake pedal.....	5-H

Ref. No.	Part Name	Group
24	Clutch pedal.....	6-G
25	Cowl trim panel.....	23-I
26	Ignition lock cylinder and keys.....	8-F
27	Panel lamp switch control knob.....	8-I
28	Headlamp switch control knob.....	8-I
29	Instrument dial glass.....	8-G
30	Instrument bezel.....	23-A
31	Speedometer.....	21-E
32	Gearshift lever knob.....	19-I
33	Radio hole cover.....	23-A
34	Front door remote control handle.....	23-F
35	Steering wheel.....	19-H
36	Horn button.....	19-H
37	Windshield glass.....	23-J
38	Vent wing glass.....	23-F
39	Door window rear glass.....	23-F
40	Window Division bar.....	23-F
41	Vent wing frame.....	23-F
42	Front door.....	23-F
43	Windshield garnish moulding.....	23-J
44	Sun visor.....	23-I
45	Roof trim panel.....	23-I

T.R. 23-82



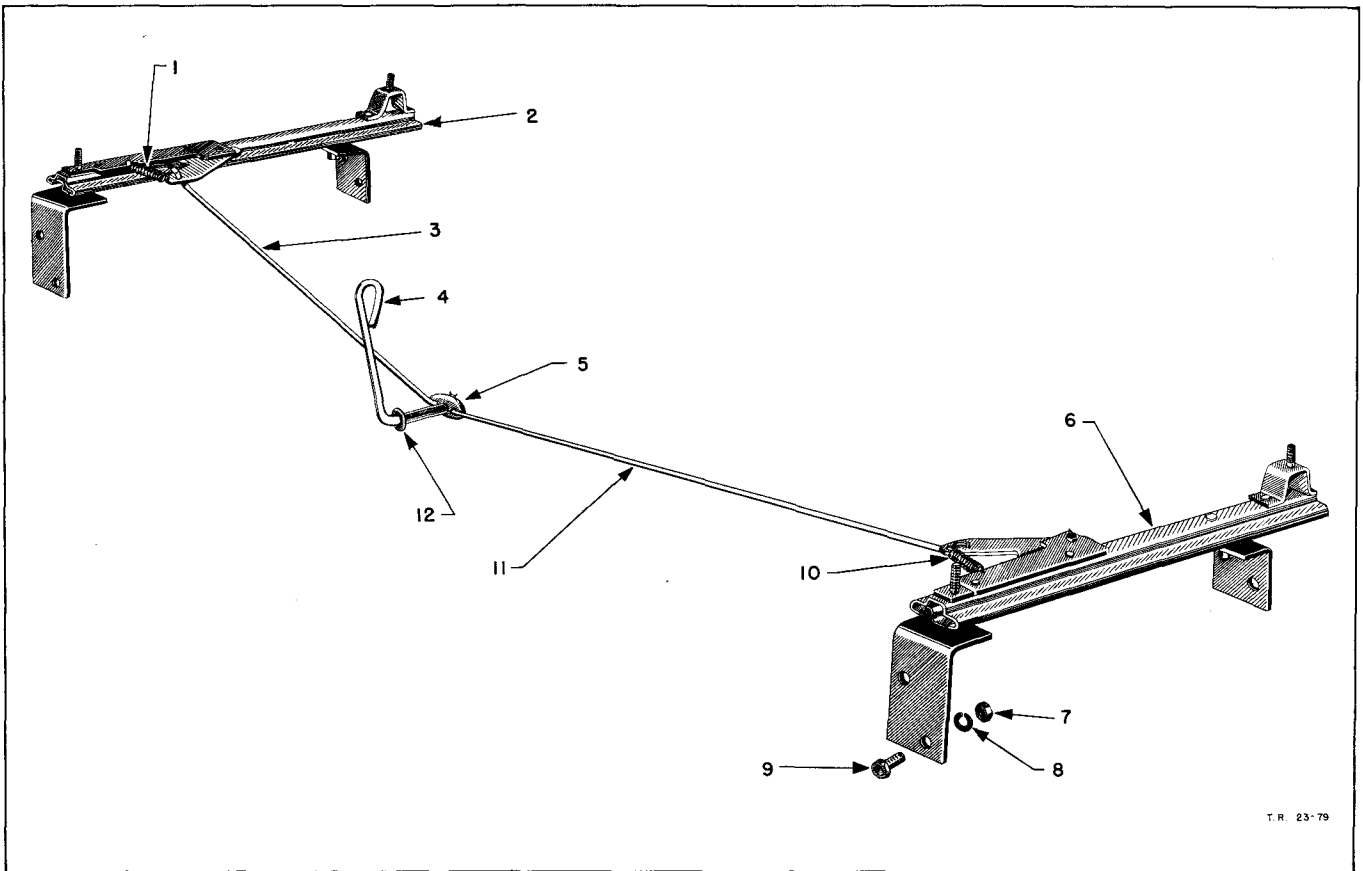
T.R. 23-48

Plate 55 (Cont'd)

Ref. No.	Part Name	Group	Ref. No.	Part Name	Group
1	Door glass rear run.....	23-F	18	Vent wing pivot spring.....	23-F
2	Door rear glass.....	23-F	19	Vent wing pivot nut.....	23-F
3	Division bar.....	23-F	20	Glass run front channel.....	23-F
4	Inside panel glass bumper.....	23-F	21	Locking handle washer.....	23-F
5	Outside panel glass weatherstrip.....	23-F	22	Locking handle key.....	23-F
6	Glass run channel screw.....	23-F	23	Locking handle pin.....	23-F
7	Locking handle key spring.....	23-F	24	Locking handle.....	23-F
8	Vent wing frame.....	23-F	25	Locking handle button.....	23-F
9	Vent wing glass.....	23-F	26	Door glass front run.....	23-F
10	Vent wing weatherstrip.....	23-F	27	Regulator handle escutcheon.....	23-F
11	Vent wing hinge screw.....	23-F	28	Regulator handle pin.....	23-F
12	Vent wing hinge.....	23-F	29	Regulator handle.....	23-F
13	Vent wing retainer.....	23-F	30	Door window regulator.....	23-F
14	Retainer locking bracket.....	23-F	31	Rear run channel.....	23-F
15	Vent wing lower pivot stop.....	23-F	32	Glass lower channel.....	23-F
16	Pivot thrust washer.....	23-F	33	Regulator stud retainer.....	23-F
17	Vent wing lower pivot stop.....	23-F			

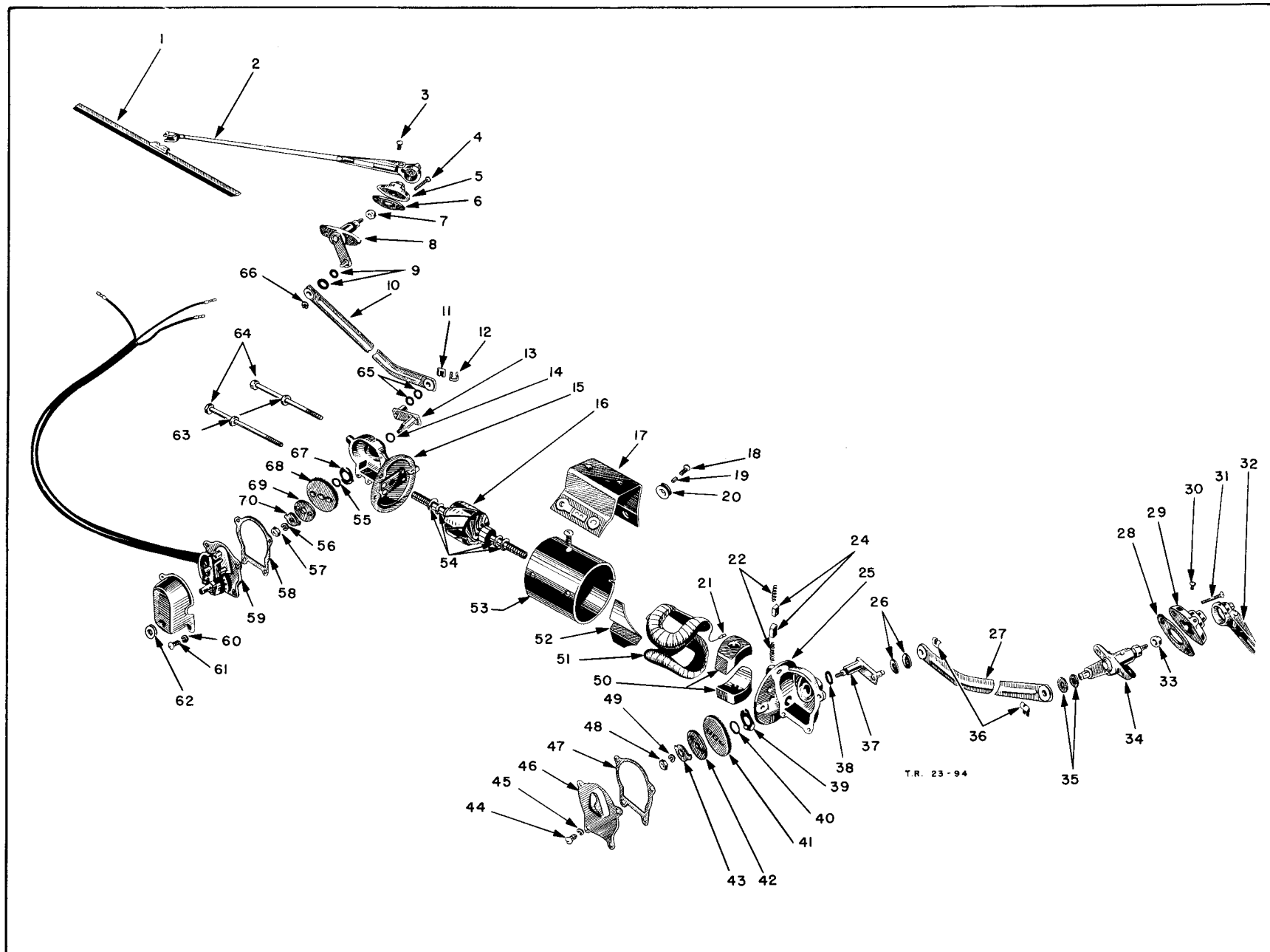
SEAT REGULATOR

Plate 56



T. R. 23-79

Ref. No.	Part Name	Group	Ref. No.	Part Name	Group
1	Ratchet spring - right.....	23-H	7	Riser bracket screw nut.....	23-H
2	Regulator assembly - right.....	23-H	8	Riser screw lockwasher.....	23-H
3	Control Rod - right.....	23-H	9	Riser bracket screw.....	23-H
4	Regulator handle.....	23-H	10	Regulator spring - left.....	23-H
5	Regulator handle lever.....	23-H	11	Control rod - left.....	23-H
6	Regulator assembly - left.....	23-H	12	Regulator handle washer.....	23-H



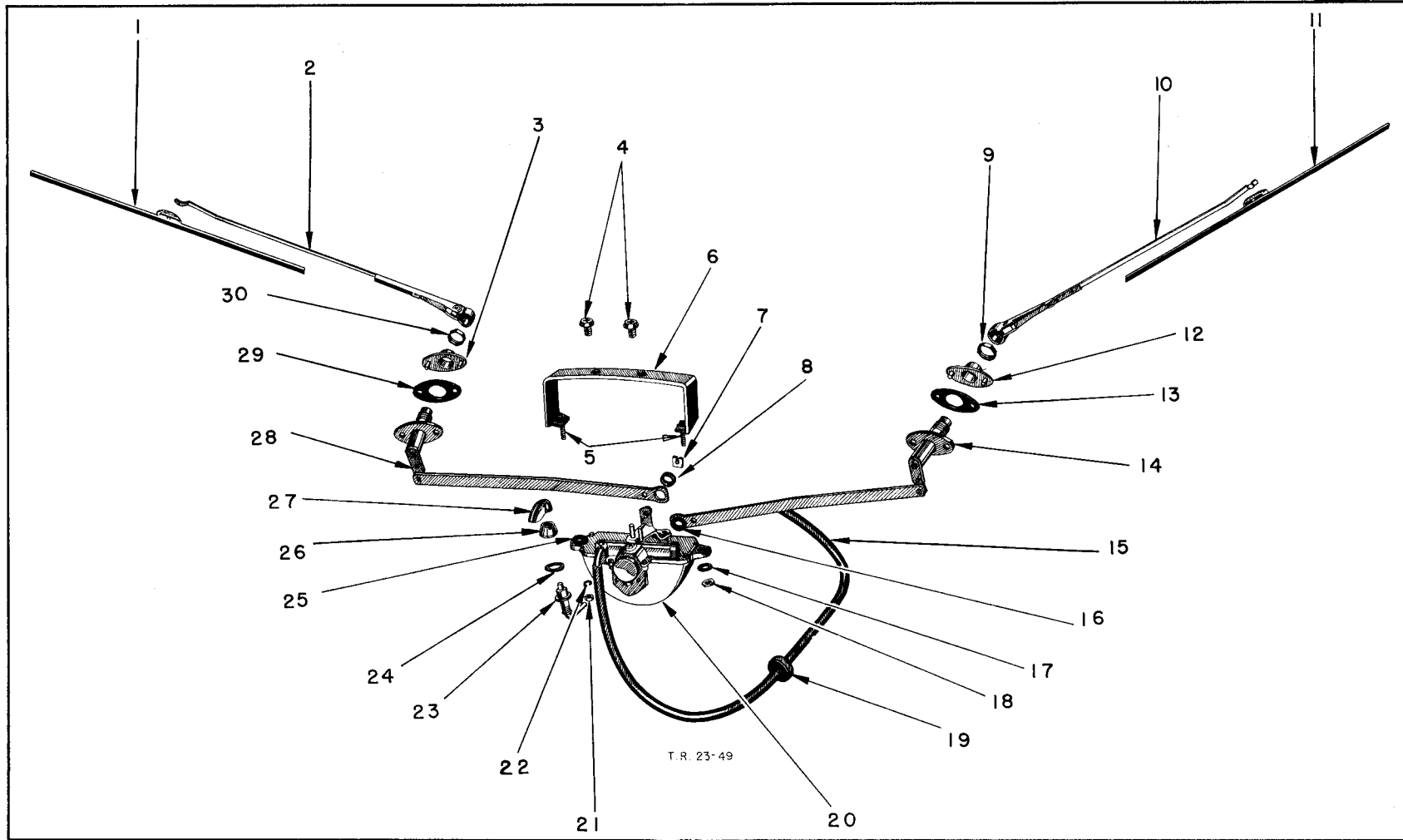
WINDSHIELD WIPER - ELECTRIC

Plate 57 (Cont'd)

Ref. No.	Part Name	Group
1	Wiper blade.....	23-K
2	Wiper arm.....	23-K
3	Pivot cover screw.....	23-K
4	Cover plate screw.....	23-K
5	Pivot cover.....	23-K
6	Pivot cover gasket.....	23-K
7	Pivot gasket.....	23-K
8	Pivot assy.....	23-K
9	Link washer.....	23-K
10	Pivot link.....	23-K
11	Pivot link retainer.....	23-K
12	Pivot link retainer.....	23-K
13	Crank arm.....	23-K
14	Crank arm washer.....	23-K
15	Drive end head.....	23-K
16	Armature.....	23-K
17	Mounting bracket.....	23-K
18	Mounting bracket screw.....	23-K
19	Mounting bracket sleeve (not serviced).....	23-K
20	Mounting bracket grommet.....	23-K
21	Lead assy.....	23-K
22	Brush spring.....	23-K
23	Brush.....	23-K
24	Commutator end head.....	23-K
26	Crank thrust washer.....	23-K
27	Pivot link.....	23-K
28	Pivot cover gasket.....	23-K
29	Pivot cover.....	23-K
30	Pivot cover screw.....	23-K
31	Cover plate screw.....	23-K
32	Wiper arm.....	23-K
33	Pivot gasket.....	23-K
34	Pivot assy.....	23-K
35	Link washer.....	23-K

Ref. No.	Part Name	Group
36	Pivot link retainer.....	23-K
37	Crank arm.....	23-K
38	Crank arm washer.....	23-K
39	Washer (not serviced).....	23-K
40	Gear washer.....	23-K
41	Wiper gear.....	23-K
42	Wiper gear plate.....	23-K
43	Wiper gear key.....	23-K
44	Cover plate screw.....	23-K
45	Cover plate screw washer.....	23-K
46	Cover plate.....	23-K
47	Cover plate gasket.....	23-K
48	Gear plate nut.....	23-K
49	Gear plate nut washer.....	23-K
50	Shoe (service in assy.).....	23-K
51	Field coil assy.....	23-K
52	Field coil insulation.....	23-K
53	Frame (service in assy.).....	23-K
54	Armature thrust washer.....	23-K
55	Gear washer.....	23-K
56	Gear plate nut washer.....	23-K
57	Gear plate nut.....	23-K
58	Cover plate gasket.....	23-K
59	Switch and base plate assy.....	23-K
60	Cover plate screw washer.....	23-K
61	Cover plate screw.....	23-K
62	Switch cover grommet.....	23-K
63	Thru bolt washer.....	23-K
64	Thru bolt.....	23-K
65	Crank thrust washer.....	23-K
66	Pivot link retainer.....	23-K
67	Washer (not serviced).....	23-K
68	Wiper gear.....	23-K
69	Wiper gear plate.....	23-K
70	Wiper gear key.....	23-K

GROUP 23 - BODY



Ref. No.	Part Name	Group	Ref. No.	Part Name	Group	Ref. No.	Part Name	Group
1	Wiper blade - left.....	23-K	11	Wiper blade - right.....	23-K	21	Motor to mounting bracket nut.....	23-K
2	Wiper arm - left.....	23-K	12	Motor spacer - right.....	23-K	22	Bracket nut washer.....	23-K
3	Motor spacer - left.....	23-K	13	Pivot cover gasket.....	23-K	23	Wiper control.....	23-K
4	Oiler screw.....	23-K	14	Pivot and link.....	23-K	24	Switch mounting washer.....	23-K
5	Motor to mounting bracket screw.....	23-K	15	Wiper vacuum tube.....	23-K	25	Mounting bracket washer.....	23-K
6	Motor mounting bracket.....	23-K	16	Mounting bracket washer.....	23-K	26	Control mounting nut.....	23-K
7	Motor to pivot link retainer.....	23-K	17	Mounting bracket washer.....	23-K	27	Control knob.....	23-K
8	Connecting link bushing.....	23-K	18	Mounting bracket nut.....	23-K	28	Pivot and link.....	23-K
9	Pivot mounting nut.....	23-K	19	Vacuum tube grommet.....	23-K	29	Pivot cover gasket.....	23-K
10	Wiper arm - right.....	23-K	20	Motor assembly.....	23-K	30	Pivot mounting nut.....	23-K

T.R. 23-49

## GROUP 23 - BODY

23-11

Body Model And Symbol	Chassis Model	
	Dodge	Fargo
Flat face cowl - 5110 - 5120	DG1-DG2-DH1-DH2 DG3-DG4-DG5-DG6-DH4-DH5-DH6-DH7	F01-F02-FP1-FP2 F03-F04-F05-F06-FP4-FP5-FP6-FP7
Windshield cowl - 5111 - 5121	DG1-DG2 DG3-DG4-DG5-DG6	F01-F02 F03-F04-F05-F06
Cab - 5112 - 5122	DG1-DG2-DH1-DH2 DG3-DG4-DG5-DG6-DH4-DH5-DH6-DH7	F01-F02-FP1-FP2 F03-F04-F05-F06-FP4-FP5-FP6-FP7
Panel - 5113	DG1-DH1	F01-FP1

**NOTE:** Parts referred to Note 1 were used up to and including:  
 Parts referred to Note 2 were used after the following serial numbers:

DG1 - 90103493	F01 - 90522063
DG2 - 91188782	F02 - 91509591
DG3 - 92000834	F03 - 92500915
DG4 - 93005102	F04 - 93504536
DG5 - 93252563	F05 - 93752037
DG6 - 94004899	F06 - 94503130

Except - Note 1 parts were used all the way on DG3 and F03

**NOTE:** Parts referred to Note 3 were used up to and including:  
 Parts referred to Note 4 were used after the following serial numbers:

DG1 - 90100995	F01 - 90159869
DG2 - 91188006	F02 - 91508906
DG4 - 93004495	F04 - 93504216
DG5 - 93252278	F05 - 93751856
DG6 - 94004330	F06 - 94502724

**NOTE:** Parts referred to Note 5 were used up to and including:  
 Parts referred to Note 6 were used after the following serial numbers:

DG1 - 90098118	F01 - 90517404
----------------	----------------

Exception: - F01 - 90517314 used Note 6 parts.

**NOTE:** Parts referred to Note 7 were used up to and including:  
 Parts referred to Note 8 were used after the following serial numbers:

DG1 - 90098118	F01 - 90517404
DG2 - 91186992	F02 - 91508065
DG3 - 92000805	F03 - 92500893
DG4 - 93003882	F04 - 93503582
DG5 - 93251881	F05 - 93751576
DG6 - 94003136	F06 - 94502279

Exception: F01 - 90517484 used Note 7 parts

Parts referred to Note 9 were used on the following serial numbers only:

DG1 - 90099769	F01 - 90518912
----------------	----------------

**NOTE:** Parts referred to Note 10 were used up to and including:  
 Parts referred to Note 11 were used after the following serial numbers:

DG1 - 90099350	F01 - 90518519
DG2 - 91187496	F02 - 91508499
DG4 - 93004154	F04 - 93503876
DG5 - 93252083	F05 - 93751732
DG6 - 94003614	F06 - 94502504



**GROUP 23 - BODY**

PART NAME	PART NO.	BODY SYMBOLS						
		CAB		PANEL	F.F.	COWL	W.S.	COWL
		5112	5122	5113	5110	5120	5111	5121
<b>GROUP 23-A CAB AND FRONT SECTION</b>								
<b>Cab Shell</b>								
Assembly - less doors - prime - - - - -	1278486	1	1	..	..	..	..	..
<b>Front Section</b>								
Assembly - - - - -	1279170	1	1	1	..	..	1	1
Assembly - - - - -	1278377	..	..	..	1	1	..	..
Lacing - cowl hood - - - - -	747877	*	*	*	*	*	*	*
Lacing - 100 foot roll - - - - -	680414	*	*	*	*	*	*	*
Stud - - - - -	494861	10	10	10	10	10	10	10
<b>Cowl Ventilator</b>								
Lid assembly - - - - -	1096787	1	1	1	1	1	1	1
Weatherstrip - - - - -	1097091	1	1	1	1	1	1	1
Drain tube - - - - -	785785	1	1	1	1	1	1	1
Brace assembly - - - - -	1096786	1	1	1	1	1	1	1
Screw - to instrument panel - - - - -	123473	1	1	1	1	1	1	1
Nut - - - - -	120368	1	1	1	1	1	1	1
Lockwasher - - - - -	1097771	1	1	1	1	1	1	1
Screw - to dash - - - - -	123316	2	2	2	2	2	2	2
Nut - - - - -	120367	2	2	2	2	2	2	2
Lockwasher - - - - -	120380	2	2	2	2	2	2	2
Spring - - - - -	747290	1	1	1	1	1	1	1
Hinge - - - - -	1096610	1	1	1	1	1	1	1
Screw assembly - to deflector - - - - -	1197130	2	2	2	2	2	2	2
Screw - pivot - - - - -	1096795	2	2	2	2	2	2	2
Nut - - - - -	120367	2	2	2	2	2	2	2
Lockwasher - - - - -	1093271	2	2	2	2	2	2	2
Rivet - ratchet pawl - - - - -	104068	1	1	1	1	1	1	1
Rivet - handle bracket link - - - - -	426158	1	1	1	1	1	1	1
Rivet - handle link to ratchet - - - - -	426158	1	1	1	1	1	1	1
Plainwasher - - - - -	120391	1	1	1	1	1	1	1
Screw assembly - handle link bracket - - - - -	1197130	2	2	2	2	2	2	2
<b>Steering Post</b>								
Bracket - - - - -	1097775	1	1	1	1	1	1	1
Screw - - - - -	120741	4	4	4	4	4	4	4
Nut - - - - -	120368	4	4	4	4	4	4	4
Lockwasher - - - - -	120214	4	4	4	4	4	4	4
Plainwasher - - - - -	120387	4	4	4	4	4	4	4
Spacer - - - - -	1279280	1	..	1	1	..	1	..
Spacer - L.H.D. - - - - -	1279286	..	1	..	..	1	..	1
Spacer - R.H.D. - - - - -	1397743	..	1	..	..	1	..	1
Clamp - L.H.D. - - - - -	1279418	1	..	1	1	..	1	..
Clamp - R.H.D. - - - - -	1279282	1	..	1	1	..	1	..
Clamp - L.H.D. - - - - -	1279288	..	1	..	..	1	..	1
Clamp - R.H.D. - - - - -	1397745	..	1	..	..	1	..	1
Spacer - clamp - - - - -	641765	..	2	..	..	2	..	2
Screw - - - - -	120677	2	2	2	2	2	2	2
Nut - - - - -	120369	2	2	2	2	2	2	2
Lockwasher - - - - -	1094595	2	2	2	2	2	2	2
Insulator - - - - -	1279284	1	1	1	1	1	1	1
Insulator - R.H.D. - - - - -	705360	..	1	..	..	1	..	1
Collar - - - - -	590435	1	1	1	1	1	1	1
<b>Glove Box</b>								
Assembly - - - - -	1199348	1	1	1	1	1	1	1
Screw - - - - -	142611	4	4	4	4	4	4	4
Door assembly - without lock - includes hinge -	1097505	1	1	1	1	1	1	1
Hinge - body half - - - - -	1096556	1	1	1	1	1	1	1
Screw - - - - -	142611	4	4	4	4	4	4	4
Plainwasher - - - - -	120391	4	4	4	4	4	4	4
Pin - - - - -	1097502	1	1	1	1	1	1	1

**GROUP 23 - BODY**

PART NAME	PART NO.	BODY SYMBOLS						
		CAB		PANEL	F.F.	COWL	W.S.	COWL
		5112	5122	5113	5110	5120	5111	5121
<b>GROUP 23-A CAB AND FRONT SECTION (CONT'D)</b>								
<b>Glove Box (Cont'd)</b>								
Spring - - - - -	1097070	1	1	1	1	1	1	
Bumper - - - - -	755675	2	2	2	2	2	2	
Knob - white lettered	1191538	1	1	1	1	1	1	
Knob - black lettered	1107429	1	1	1	1	1	1	
Screw - - - - -	132900	1	1	1	1	1	1	
Lockwasher - - - - -	120217	1	1	1	1	1	1	
<b>Ash Receiver</b>								
Assembly - white lettered knob - - - - -	1272304	1	1	1	..	..	1	
Assembly - black lettered knob - - - - -	1107739	1	1	1	..	..	1	
Face plate - - - - -	1272300	1	1	1	..	..	1	
Bezel - - - - -	1272301	1	1	1	..	..	1	
Knob assembly - white lettered - - - - -	1195688	1	1	1	..	..	1	
Knob assembly - black lettered - - - - -	1107428	1	1	1	..	..	1	
Screw - - - - -	132908	1	1	1	..	..	1	
Lockwasher - - - - -	120217	1	1	1	..	..	1	
Set screw - - - - -	147460	1	1	1	..	..	1	
Housing - - - - -	1272303	1	1	1	..	..	1	
Retainer - - - - -	1272302	1	1	1	..	..	1	
Mounting plate - - - - -	1271226	1	1	1	..	..	1	
Rivet - - - - -	104223	4	4	4	..	..	4	
Extinguisher - cigar - - - - -	1272299	1	1	1	..	..	1	
<b>Instrument Panel</b>								
Radio hole cover - exc. DG2 91185034 and F03 92500703 - -	1280137	1	1	1	1	1	1	
Radio hole cover - on DG2 91185034 and F03 92500703 - -	1197717	..	..	..	1	1	..	
Radio speaker grille assembly - - - - -	1194655	1	1	1	1	1	1	
Bezel - - - - -	1260775	1	1	1	1	1	1	
Screw - - - - -	163217	4	4	4	4	4	4	
Filler - to radio speaker - - - - -	1278685	1	1	1	..	..	1	
Screw - - - - -	1395742	4	4	4	..	..	4	
Center moulding - Note 1 - - - - -	1278681	1	1	1	..	..	1	
Clip - Note - - - - -	1279671	3	3	3	..	..	3	
Center moulding - Desoto - Note 2 - - - - -	1397999	1	1	1	..	..	..	
Name plate - Dodge - Note 2 - - - - -	1386452	1	1	1	..	..	..	
Name plate - Fargo - Note 2 - - - - -	1398216	1	1	1	..	..	..	
Retainer - Note 2 - - - - -	1332597	3	3	3	..	..	..	
<b>GROUP 23-B BODY SIDE</b>								
<b>Body Side</b>								
Assembly - right - - - - -	1278765	..	..	1	..	..	..	
Assembly - left - - - - -	1278766	..	..	1	..	..	..	
Dust shield assembly - inside panel - right	1197205	..	..	1	..	..	..	
Dust shield assembly - inside panel - left	1197206	..	..	1	..	..	..	
Felt - inside panel to strainer - - - - -	772414	..	..	*	..	..	..	
Rivet - - - - -	41206	..	..	12	..	..	..	
Housing - side fuel filler - Note 1 - - - - -	1197014	..	..	1	..	..	..	
Housing - side fuel filler - inner - Note 2	1398576	..	..	1	..	..	..	
Housing - side fuel filler - outer - Note 2	1398578	..	..	1	..	..	..	
Screw - - - - -	125591	..	..	*	..	..	..	
Plainwasher - - - - -	120385	..	..	*	..	..	..	
Grommet - side panel fuel filler - - - - -	1097575	1	1	1	..	..	..	
Panel - underbody sill - - - - -	1276376	2	2	2	..	..	..	
Screw - to pillar - - - - -	125591	8	8	8	..	..	..	
Plainwasher - - - - -	120385	8	8	8	..	..	..	
Brace - lock pillar to underbody bracket - - -	1275663	2	2	..	..	..	..	

**GROUP 23 - BODY**

PART NAME	PART NO.	BODY SYMBOLS						
		CAB		PANEL	F.F.	COWL	W.S.	COWL
		5112	5122	5113	5110	5120	5111	5121
<b>GROUP 23-C BODY REAR END</b>								
<b>Body Rear Section</b>								
Rear section and roof panel assembly - less drip mouldings - - - - -	1279085	1	1	..	..	..	..	..
Window glass - center - standard - - - - -	1097273	1	1	..	..	..	..	..
Window glass - center - solex - - - - -	1398375	1	1	..	..	..	..	..
Weather strip - - - - -	1096608	1	1	..	..	..	..	..
Grommet - fuel filler neck - - - - -	1097575	1	1	..	..	..	..	..
Seal - fuel filler neck - - - - -	1276983	1	1	..	..	..	..	..
Felt - to underbody - - - - -	772414	*	*	..	..	..	..	..
Rear lower panel - - - - -	1278584	..	..	1	..	..	..	..
<b>GROUP 23-D ROOF</b>								
<b>NOTE: For cab roof see rear section - Group 23-C</b>								
<b>Roof</b>								
Roof panel - - - - -	1096821	..	..	1	..	..	..	..
Roof bow assembly #1 - includes dome lamp bracket	1197318	..	..	1	..	..	..	..
Roof bow #2 - - - - -	1197334	..	..	1	..	..	..	..
Screw - - - - -	1096643	..	..	12	..	..	..	..
J/Nut - - - - -	1096644	..	..	12	..	..	..	..
Plainwasher - - - - -	120387	..	..	12	..	..	..	..
Roof side drip moulding - right - - - - -	1199676	1	1	..	..	..	..	..
Roof side drip moulding - left - - - - -	1199677	1	1	..	..	..	..	..
Roof side drip moulding - right - - - - -	1199678	..	..	1	..	..	..	..
Roof side drip moulding - left - - - - -	1199679	..	..	1	..	..	..	..
Clip - - - - -	1199682	..	..	2	..	..	..	..
Cowl hinge pillar drip moulding - right - - - - -	1199717	..	..	..	..	..	1	1
Cowl hinge pillar drip moulding - left - - - - -	1199718	..	..	..	..	..	1	1
<b>GROUP 23-E FLOOR</b>								
<b>Front Floor Transmission Cover</b>								
Assembly - with 3 speed trans. - - - - -	1276582	1	..	1	..	..	..	..
Assembly - - - - -	1276586	..	1	..	..	..	..	..
Assembly - with 4 speed trans. - less fluid drive	1276593	1	..	1	..	..	..	..
Assembly - with 4 speed trans. - with fluid drive	1276597	1	..	1	..	..	..	..
Screw assembly - - - - -	1093704	7	7	7	..	..	..	..
Nut assembly - - - - -	1277359	7	7	7	..	..	..	..
Plug - underbody fuel gauge inspection hole -	1248673	1	1	1	..	..	..	..
Plug - underbody master cylinder inspection hole R.H.D. - - - - -	1248673	1	1	1	..	..	..	..
<b>Toe Board</b>								
Assembly - upper - L.H.D. - - - - -	1279306	1	1	1	1	1	1	1
Assembly - upper - R.H.D. - - - - -	1279309	1	..	1	1	..	1	..
Assembly - upper - R.H.D. - - - - -	1397731	..	1	..	..	1	..	1
Assembly - lower - L.H.D. - - - - -	1276605	1	1	1	1	1	1	1
Assembly - lower - R.H.D. - - - - -	1276609	1	1	1	1	1	1	1
Screw assembly - - - - -	1093704	12	12	12	8	8	8	8
Nut assembly - - - - -	1277359	12	12	12	8	8	8	8
Seal plate - steering column - L.H.D. - - - - -	1279318	1	..	1	1	..	1	..
Seal plate - steering column - L.H.D. - - - - -	1279322	..	1	..	..	1	..	1
Seal plate - steering column - R.H.D. - - - - -	1279320	1	..	1	1	..	1	..
Seal plate - steering column - R.H.D. - - - - -	1279324	..	1	..	..	1	..	1
Screw - - - - -	188076	*	*	*	*	*	*	*
Plainwasher - - - - -	131015	*	*	*	*	*	*	*
Pad - clutch and brake pedal stop - - - - -	1397679	*	..	*	*	..	*	..
Rivet - - - - -	113358	*	..	*	*	..	*	..
<b>Floor Board</b>								
Strip - side finish - front - right - - - - -	1197028	..	..	1	..	..	..	..
Strip - side finish - front - left - - - - -	1197029	..	..	1	..	..	..	..

**GROUP 23 - BODY**

23-15

PART NAME	PART NO.	BODY SYMBOLS						
		CAB		PANEL	F.F.	COWL	W.S.	COWL
		5112	5122	5113	5110	5120	5111	5121
<b>GROUP 23-E FLOOR (CONT'D)</b>								
<b>Floor Board (Cont'd)</b>								
Strip - side finish - rear - right - - - - -	1197073	..	..	1	..	..	..	..
Strip - side finish - rear - left - - - - -	1197074	..	..	1	..	..	..	..
Strip - side finish - wheelhouse - front - right	1197004	..	..	1	..	..	..	..
Strip - side finish - wheelhouse - front - left	1197005	..	..	1	..	..	..	..
Strip - side finish - wheelhouse - center - -	1197012	..	..	2	..	..	..	..
Strip - side finish - wheelhouse - rear - right	1197008	..	..	1	..	..	..	..
Strip - side finish - wheelhouse - rear - left	1197009	..	..	1	..	..	..	..
Screw and washer assembly -(5/16"-18 x 1 1/2")	1279924	..	..	22	..	..	..	..
Screw and washer assembly -(5/16"-18 x 1 1/4")	1279923	..	..	1	..	..	..	..
Nut assembly - (5/16" - 18)	1279919	..	..	23	..	..	..	..
Skid strip - - - - -	1277357	..	..	2	..	..	..	..
Screw and washer assembly -(5/16"-18 x 1 1/2")	1279924	..	..	16	..	..	..	..
Nut - (5/16" - 18)	120376	..	..	6	..	..	..	..
Lockwasher - - - - -	1097771	..	..	6	..	..	..	..
Nut assembly - (5/16" - 18)	1279919	..	..	10	..	..	..	..
Screw assembly-floor board-(5/16"-18 x 1 1/4")	1279923	..	..	5	..	..	..	..
Screw assembly-floor board-(5/16"-18 x 1 1/2")	1279924	..	..	7	..	..	..	..
Nut assembly - floor board - (5/16" - 18)	1279919	..	..	12	..	..	..	..
<b>Tail Pipe Floor Board Insulator</b>								
Insulator - - - - -	715388	..	..	1	..	..	..	..
Screw - - - - -	130133	..	..	4	..	..	..	..
Plainwasher - - - - -	120385	..	..	4	..	..	..	..
<b>Floor Mat</b>								
Mat - - - - -	1197575	1	1	1	..	..	..	..
<b>Under Body Tool Box And Battery Cover</b>								
Battery cover assembly - - - - -	1097855	1	1	1	..	..	..	..
Tool box cover assembly - - - - -	1097852	..	..	1	..	..	..	..
<b>Body Hold Down Bolt</b>								
Bolt - 5/8" - 20 x 2 3/4" - - - - -	1276972	1	1	..	..	..	..	..
Bolt - 1/2" - 20 x 4" - - - - -	1276973	*	*	..	..	..	..	..
Bolt - 1/2" - 20 x 5" - - - - -	1279417	2	2	..	..	..	..	..
Bolt - 1/2" - 13 x 4 1/2" - - - - -	126817	..	..	8	..	..	..	..
Bolt - 1/2" - 20 x 2 1/2" - - - - -	1097758	2	2	4	2	2	2	2
Nut - 1/2" - 20 - - - - -	120371	3	3	12	2	2	2	2
Nut - 5/8" - 18 - - - - -	121358	1	1	..	..	..	..	..
Lockwasher - - - - -	120384	3	3	12	2	2	2	2
Lockwasher - - - - -	121754	1	1	..	..	..	..	..
Plainwasher - - - - -	1097757	4	4	2	2	2	2	2
Plainwasher - - - - -	1197077	2	2	6	2	2	2	2
Plainwasher - - - - -	1199331	2	2	..	..	..	..	..
Plate - Note 1 - - - - -	736036	..	..	6	..	..	..	..
Plate - Note 1 - - - - -	797273	..	..	2	..	..	..	..
Plate - Note 2 - - - - -	1398245	..	..	8	..	..	..	..
<b>Body To Frame Insulator</b>								
Insulator - 2 3/8 O.D. - 11/16" I.D. - - - - -	1275737	3	3	..	..	..	..	..
Insulator - 1 1/2" O.D. - 11/64" I.D. - - - - -	1195396	4	4	4	2	2	2	2
Bushing assembly - - - - -	1275738	3	3	..	..	..	..	..
Bushing assembly - - - - -	1275010	1	1	..	..	..	..	..
Spacer - - - - -	1097757	*	*	*	*	*	*	*
<b>Clutch And Brake Pedal Draft Pad</b>								
Pad - - - - -	344112	2	2	2	2	2	2	2

**GROUP 23 - BODY**

PART NAME	PART NO.	BODY SYMBOLS						
		CAB		PANEL	F.F.	COWL	W.S.	COWL
		5112	5122	5113	5110	5120	5111	5121
<b>GROUP 23-F FRONT DOOR</b>								
<b>Front Door Shell Assembly</b>								
Right - prime - - - - -	1278617	1	1	1	..	..	..	..
Left - prime - - - - -	1278618	1	1	1	..	..	..	..
<b>Front Door Outside Repair Panel</b>								
Right - - - - -	1278633	1	1	1	..	..	..	..
Left - - - - -	1278634	1	1	1	..	..	..	..
<b>Front Door Check Arm</b>								
Assembly - - - - -	1396311	2	2	2	..	..	..	..
Rivet - - - - -	1397642	2	2	2	..	..	..	..
Guide - - - - -	1197138	2	2	2	..	..	..	..
Rivet - - - - -	104068	4	4	4	..	..	..	..
Bracket - - - - -	1097872	2	2	2	..	..	..	..
<b>Front Door Hinge</b>								
Upper - right - door half - - - - -	1275784	1	1	1	..	..	..	..
Upper - left - door half - - - - -	1275785	1	1	1	..	..	..	..
Lower - door half - - - - -	1097017	2	2	2	..	..	..	..
Upper - right - body half - - - - -	1279794	1	1	1	..	..	..	..
Upper - left - body half - - - - -	1279795	1	1	1	..	..	..	..
Lower - body half - - - - -	1097016	2	2	2	..	..	..	..
Rivet - to door - - - - -	104266	16	16	16	..	..	..	..
Screw and washer assembly - to body - - - - -	1275657	16	16	16	..	..	..	..
Pin - - - - -	1275724	4	4	4	..	..	..	..
<b>Front Door Lock And Handle</b>								
Lock assembly - right - - - - -	1097588	1	1	1	..	..	..	..
Lock assembly - left - - - - -	1097589	1	1	1	..	..	..	..
Spring - bolt - - - - -	1197092	2	2	2	..	..	..	..
Spring - handle return - - - - -	1280285	2	2	2	..	..	..	..
Screw assembly - - - - -	1097967	6	6	6	..	..	..	..
Remote control assembly - right - - - - -	1097590	1	1	1	..	..	..	..
Remote control assembly - left - - - - -	1097591	1	1	1	..	..	..	..
Screw and washer assembly - - - - -	1197018	6	6	6	..	..	..	..
Remote control link - right - - - - -	1097647	1	1	1	..	..	..	..
Remote control link - left - - - - -	1097648	1	1	1	..	..	..	..
Rivet - to lock - - - - -	1197090	2	2	2	..	..	..	..
Striker - lock pillar - - - - -	1199842	2	2	2	..	..	..	..
Screw and washer assembly - - - - -	1199843	4	4	4	..	..	..	..
Handle - outside - - - - -	1097693	2	2	2	..	..	..	..
Screw - - - - -	134289	4	4	4	..	..	..	..
Handle - inside or remote control - Note 3 - - - - -	745204	2	2	2	..	..	..	..
Handle - inside or remote control - Note 4 - - - - -	1278534	2	2	2	..	..	..	..
Escutcheon assembly - metal - Note 1 - - - - -	1277049	2	2	2	..	..	..	..
Escutcheon assembly - plastic - Note 1 - - - - -	1396660	2	2	2	..	..	..	..
Escutcheon assembly - Note 2 - - - - -	1397517	2	2	2	..	..	..	..
Pin - - - - -	724797	2	2	2	..	..	..	..
<b>Front Door Lock Cylinder And Key</b>								
Lock cylinder and key assembly - - - - -	1311195	1	1	1	..	..	..	..
Key - cut - - - - -	1158623	*	*	*	..	..	..	..
Key - Blanc - - - - -	1233112	*	*	*	..	..	..	..
Reinforcement assembly - - - - -	950508	1	1	1	..	..	..	..
Set screw - - - - -	126135	1	1	1	..	..	..	..
Service package - includes front door and ignition lock cylinders and keys - - - - -	1194646	1	1	..	..	..	..	..
Service package - includes front door rear door and ignition lock cylinders and keys - - - - -	1194647	..	..	1	..	..	..	..

PART NAME	PART NO.	BODY SYMBOLS						
		CAB		PANEL	F.F.	COWL	W.S.	COWL
		5112	5122	5113	5110	5120	5111	5121
<b>GROUP 23-F FRONT DOOR (CONT'D)</b>								
<b>Front Door Window Regulator And Handle</b>								
Regulator assembly - right - - - - -	1097106	1	1	1	..	..	..	
Regulator assembly - left - - - - -	1097107	1	1	1	..	..	..	
Screw and washer assembly - - - - -	1197018	10	10	10	..	..	..	
Handle - Note 3 - - - - -	1278658	2	2	2	..	..	..	
Handle - Note 4 - - - - -	1278535	2	2	2	..	..	..	
Escutcheon assembly - metal - Note 1 - - -	1277049	2	2	2	..	..	..	
Escutcheon assembly - plastic - Note 1 - -	1396660	2	2	2	..	..	..	
Escutcheon assembly - Note 2 - - - - -	1397517	2	2	2	..	..	..	
Pin - - - - -	724797	2	2	2	..	..	..	
<b>Front Door Dovetail And Weatherseal</b>								
Dove tail - male - - - - -	1097851	2	2	2	..	..	..	
Screw - - - - -	134422	4	4	4	..	..	..	
Lockwasher - - - - -	138604	4	4	4	..	..	..	
Dove tail assembly - lock pillar - female - -	1097850	2	2	2	..	..	..	
Rivet - - - - -	114760	4	4	4	..	..	..	
Weatherseal - lock pillar - - - - -	1198974	2	2	2	..	..	..	
Weatherseal - hinge pillar - - - - -	1276305	2	2	2	..	..	..	
Weatherseal - lower rear corner - right - - -	1279767	1	1	1	..	..	..	
Weatherseal - lower rear corner - left - - -	1279768	1	1	1	..	..	..	
Weatherseal - lower - - - - -	1398580	2	2	2	..	..	..	
Screw - lower weatherseal - - - - -	125591	14	14	14	..	..	..	
<b>Front Door Inside Panel Inspection Cover</b>								
Cover - - - - -	1275128	2	2	2	..	..	..	
Screw - - - - -	271074	12	12	12	..	..	..	
Lockwasher - - - - -	125775	12	12	12	..	..	..	
<b>Front Door Window - Without Vent</b>								
Glass - standard - - - - -	1097823	2	2	2	..	..	..	
Glass - solex - - - - -	1398349	2	2	2	..	..	..	
Bumper - - - - -	797913	6	6	6	..	..	..	
Weatherstrip assembly - outside panel - right	1097651	1	1	1	..	..	..	
Weatherstrip assembly - outside panel - left	1097652	1	1	1	..	..	..	
Lower channel assembly - right - - - - -	1097824	1	1	1	..	..	..	
Lower channel assembly - left - - - - -	1097825	1	1	1	..	..	..	
Retainer - to regulator - - - - -	1234457	4	4	4	..	..	..	
Filler - - - - -	1197329	2	2	2	..	..	..	
Front channel assembly - - - - -	1097947	2	2	2	..	..	..	
Screw - - - - -	151374	6	6	6	..	..	..	
J/Nut - - - - -	1275373	6	6	6	..	..	..	
Lockwasher - - - - -	120380	6	6	6	..	..	..	
Rear channel assembly - right - - - - -	1097636	1	1	1	..	..	..	
Rear channel assembly - left - - - - -	1097637	1	1	1	..	..	..	
Pin - front - - - - -	1097948	2	2	2	..	..	..	
Rivet - - - - -	113194	4	4	4	..	..	..	
Run - - - - -	1097887	2	2	2	..	..	..	
Clip - - - - -	797944	8	8	8	..	..	..	
<b>Front Door Window - With Vent</b>								
Glass - rear - standard - - - - -	1096982	2	2	2	..	..	..	
Glass - rear - solex - - - - -	1398355	2	2	2	..	..	..	
Weatherstrip assembly - outside panel - right	1097890	1	1	1	..	..	..	
Weatherstrip assembly - outside panel - left	1097891	1	1	1	..	..	..	
Lower channel assembly - right - - - - -	1097829	1	1	1	..	..	..	
Lower channel assembly - left - - - - -	1097830	1	1	1	..	..	..	
Filler - - - - -	1097867	2	2	2	..	..	..	
Front channel assembly - right - - - - -	1197021	1	1	1	..	..	..	
Front channel assembly - left - - - - -	1197022	1	1	1	..	..	..	
Screw assembly - - - - -	1278052	4	4	4	..	..	..	
Nut - - - - -	121743	4	4	4	..	..	..	
Lockwasher - - - - -	1097901	4	4	4	..	..	..	

**GROUP 23 - BODY**

PART NAME	PART NO.	BODY SYMBOLS						
		CAB		PANEL	F.F.	COWL	W.S.	COWL
		5112	5122	5113	5110	5120	5111	5121
<b>GROUP 23-F FRONT DOOR (CONT'D)</b>								
<b>Front Door Window - With Vent (Cont'd)</b>								
Rear channel assembly - right	1097636	1	1	1	..	..	..	..
Rear channel assembly - left	1097637	1	1	1	..	..	..	..
Run - front	1097889	2	2	2	..	..	..	..
Run - glass	1097888	2	2	2	..	..	..	..
Division bar assembly - right	909278	1	1	1	..	..	..	..
Division bar assembly - left	909279	1	1	1	..	..	..	..
Screw - to lower channel	155178	4	4	4	..	..	..	..
Lockwasher	138479	4	4	4	..	..	..	..
Weatherstrip - right	909314	1	1	1	..	..	..	..
Weatherstrip - left	909284	1	1	1	..	..	..	..
Rivet	131284	8	8	8	..	..	..	..
<b>Front Door Vent Wing</b>								
Frame assembly - right	1097520	1	1	1	..	..	..	..
Frame assembly - left	1097521	1	1	1	..	..	..	..
Pivot - lower - right	1097640	1	1	1	..	..	..	..
Pivot - lower - left	1097641	1	1	1	..	..	..	..
Rivet	118140	4	4	4	..	..	..	..
Stop	1096790	4	4	4	..	..	..	..
Thrust washer	1096333	4	4	4	..	..	..	..
Spring	849765	2	2	2	..	..	..	..
Nut	120368	2	2	2	..	..	..	..
Hinge - female - upper - right	1097944	1	1	1	..	..	..	..
Hinge - female - upper - left	1097945	1	1	1	..	..	..	..
Rivet	120743	4	4	4	..	..	..	..
Hinge - male - upper - right	1097276	1	1	1	..	..	..	..
Hinge - male - upper - left	1097277	1	1	1	..	..	..	..
Screw	141897	4	4	4	..	..	..	..
Shaft and bracket assembly - handle	850664	2	2	2	..	..	..	..
Shaft - handle	767693	2	2	2	..	..	..	..
Rivet - bracket	118140	4	4	4	..	..	..	..
Handle - locking - right	1096117	1	1	1	..	..	..	..
Handle - locking - left	1096118	1	1	1	..	..	..	..
Pin	142952	2	2	2	..	..	..	..
Washer	764211	2	2	2	..	..	..	..
Key	792416	2	2	2	..	..	..	..
Spring	763705	2	2	2	..	..	..	..
Button	893672	2	2	2	..	..	..	..
Glass - vent wing - standard	1097538	2	2	2	..	..	..	..
Glass - vent wing - solex	1398360	2	2	2	..	..	..	..
Retainer assembly - right	1097527	1	1	1	..	..	..	..
Retainer assembly - left	1097528	1	1	1	..	..	..	..
Rivet - lower pivot	118140	8	8	8	..	..	..	..
Screw - to door	161623	8	8	8	..	..	..	..
Screw - to run channel	132969	4	4	4	..	..	..	..
Locking bracket	1197015	2	2	2	..	..	..	..
Rivet	118140	4	4	4	..	..	..	..
Weatherstrip - right	1097536	1	1	1	..	..	..	..
Weatherstrip - left	1097537	1	1	1	..	..	..	..
<b>GROUP 23-G REAR DOOR</b>								
<b>Rear Door Shell - Prime</b>								
Assembly - right	1197135	..	..	1	..	..	..	..
Assembly - left	1278714	..	..	1	..	..	..	..
<b>Rear Door-Complete With Glass And Hardware-Prime</b>								
Assembly - right	1197133	..	..	1	..	..	..	..
Assembly - left	1278713	..	..	1	..	..	..	..

**GROUP 23 - BODY**

23-19

PART NAME	PART NO.	BODY SYMBOLS						
		CAB		PANEL	F.F.	COWL	W.S.	COWL
		5112	5122	5113	5110	5120	5111	5121
<b>GROUP 23-F FRONT DOOR (CONT'D)</b>								
<b>Rear Door Check Arm</b>								
Assembly - right - - - - -	1197126	..	..	1	..	..	..	..
Assembly - left - - - - -	1197127	..	..	1	..	..	..	..
Screw - to door - - - - -	120628	..	..	4	..	..	..	..
Screw - to header - - - - -	121887	..	..	4	..	..	..	..
Lockwasher - - - - -	120380	..	..	8	..	..	..	..
Bumper - - - - -	875656	..	..	2	..	..	..	..
<b>Rear Door Hinge</b>								
Hinge - door half - - - - -	1097011	..	..	4	..	..	..	..
Hinge - body half - - - - -	1097010	..	..	4	..	..	..	..
Rivet - to door - - - - -	118061	..	..	12	..	..	..	..
Screw and washer - to body - - - - -	1275657	..	..	12	..	..	..	..
Pin - - - - -	708167	..	..	4	..	..	..	..
<b>Rear Door Lock And Handle</b>								
Lock and remote control assembly - right - - -	1097914	..	..	1	..	..	..	..
Lock assembly - left - - - - -	785035	..	..	1	..	..	..	..
Screw - - - - -	123854	..	..	18	..	..	..	..
Lockwasher - - - - -	138597	..	..	18	..	..	..	..
Striker - door header - - - - -	1097281	..	..	2	..	..	..	..
Screw - - - - -	120585	..	..	4	..	..	..	..
Lockwasher - - - - -	120380	..	..	4	..	..	..	..
Striker - on floor - - - - -	1097280	..	..	1	..	..	..	..
Screw - - - - -	121797	..	..	2	..	..	..	..
Lockwasher - - - - -	120380	..	..	2	..	..	..	..
Handle - outside - - - - -	1097694	..	..	1	..	..	..	..
Screw - - - - -	134289	..	..	2	..	..	..	..
Screw - - - - -	120221	..	..	1	..	..	..	..
Lockwasher - - - - -	120217	..	..	1	..	..	..	..
Plainwasher - - - - -	120391	..	..	1	..	..	..	..
Lock cylinder and key assembly - - - - -	1311195	..	..	1	..	..	..	..
Key - cut - - - - -	1158623	..	..	*	..	..	..	..
Key - blank - - - - -	1233112	..	..	*	..	..	..	..
Reinforcement assembly - - - - -	950508	..	..	1	..	..	..	..
Set screw - - - - -	126135	..	..	1	..	..	..	..
Service package - includes rear door, front door and ignition lock cylinders and keys. - - -	1194647	..	..	1	..	..	..	..
<b>Rear Door Dovetail and Wedge</b>								
Dovetail assembly - female - - - - -	1097850	..	..	1	..	..	..	..
Rivet - - - - -	104068	..	..	2	..	..	..	..
Dovetail - male - - - - -	1097851	..	..	1	..	..	..	..
Screw - - - - -	134422	..	..	2	..	..	..	..
Lockwasher - - - - -	120380	..	..	2	..	..	..	..
Wedge - upper - door half - - - - -	989513	..	..	1	..	..	..	..
Wedge - lower - door half - - - - -	951137	..	..	1	..	..	..	..
Screw - - - - -	133645	..	..	4	..	..	..	..
Lockwasher - - - - -	138597	..	..	4	..	..	..	..
Spacer - - - - -	705320	..	..	4	..	..	..	..
Wedge assembly - body half - - - - -	705318	..	..	1	..	..	..	..
Screw - - - - -	133645	..	..	2	..	..	..	..
Lockwasher - - - - -	138597	..	..	2	..	..	..	..
Cover - - - - -	715352	..	..	1	..	..	..	..
Plate - wedge to floor - - - - -	711245	..	..	1	..	..	..	..
Screw - - - - -	133645	..	..	2	..	..	..	..
Lockwasher - - - - -	120380	..	..	2	..	..	..	..
<b>Rear Door Weatherseal</b>								
Weatherseal - - - - -	1279335	..	..	2	..	..	..	..
Weatherseal-Centre - - - - -	1097978	..	..	1	..	..	..	..
Fastener - - - - -	1097557	..	..	16	..	..	..	..



**GROUP 23 - BODY**

PART NAME	PART NO.	BODY SYMBOLS						
		CAB		PANEL	F.F.	COWL	W.S.	COWL
		5112	5122	5113	5110	5120	5111	5121
<b>GROUP 23-G REAR DOOR (CONT'D)</b>								
<b>Rear Door Window</b>								
Glass-standard - - - - -	1096983	..	..	2	..	..	..	..
Glass - solex - - - - -	1398373	..	..	2	..	..	..	..
Weatherstrip - - - - -	1097835	..	..	2	..	..	..	..
<b>GROUP 23-H SEAT</b>								
<b>SPECIAL NOTE:</b>	For panel trucks equipped with full width passenger car type seat with split back or full width car type seat see parts following Notes "A" and "B" respectively.							
<b>Seat - Bucket Type</b>								
Assembly - driver - imitation leather - L.H.D.								
Note 1 - - - - -	1279627	..	..	1	..	..	..	..
Assembly - driver - imitation leather - R.H.D.								
Note 1 - - - - -	1279628	..	..	1	..	..	..	..
Assembly - driver - imitation leather - - - -								
Note 2 - - - - -	1397974	..	..	1	..	..	..	..
Assembly - driver - mohair - L.H.D. - Note 5	1107319	..	..	1	..	..	..	..
Assembly - driver - mohair - L.H.D. - Note 6	1510621	..	..	1	..	..	..	..
Assembly - passenger - imitation leather - L.H.D.								
Note 1 - - - - -	1279647	..	..	1	..	..	..	..
Assembly - passenger - imitation leather - L.H.D.								
Note 2 - - - - -	1397981	..	..	1	..	..	..	..
Assembly - passenger - imitation leather - R.H.D.								
Note 1 - - - - -	1279648	..	..	1	..	..	..	..
Assembly - passenger - imitation leather - R.H.D.								
Note 2 - - - - -	1397982	..	..	1	..	..	..	..
Assembly - passenger - mohair - L.H.D. - Note 5	1107325	..	..	1	..	..	..	..
Assembly - passenger - mohair - L.H.D. - Note 6	1510627	..	..	1	..	..	..	..
Support assembly - front - L.H.D. - - - - -	1197535	..	..	2	..	..	..	..
Support assembly - front - right - R.H.D. -								
Note 1 - - - - -	1097621	..	..	1	..	..	..	..
Support assembly - front - left - R.H.D. -								
Note 1 - - - - -	1097622	..	..	1	..	..	..	..
Support assembly - front - Note 2 - - - - -	1197535	..	..	2	..	..	..	..
Screw - to underbody - - - - -	1096643	..	..	4	..	..	..	..
J/Nut - - - - -	1197429	..	..	4	..	..	..	..
Clevis pin - - - - -	556906	..	..	2	..	..	..	..
Cotter pin - - - - -	108636	..	..	2	..	..	..	..
<b>Seat Regulator</b>								
Assembly - right - - - - -	1275440	1	1	..	..	..	..	..
Assembly - left - - - - -	1275441	1	1	..	..	..	..	..
Assembly - right - L.H.D. - Note 1 - - - - -	1279066	..	..	1	..	..	..	..
Assembly - left - L.H.D. - Note 1 - - - - -	1279067	..	..	1	..	..	..	..
Assembly - right - R.H.D. - Note 1 - - - - -	1279068	..	..	1	..	..	..	..
Assembly - left - R.H.D. - Note 1 - - - - -	1279069	..	..	1	..	..	..	..
Assembly - right - Note 2 - - - - -	1279066	..	..	1	..	..	..	..
Assembly - left - Note 2 - - - - -	1279067	..	..	1	..	..	..	..
Control rod - right - - - - -	1275797	1	1	..	..	..	..	..
Control rod - left - - - - -	1275798	1	1	..	..	..	..	..
Tie rod - - - - -	1197039	..	..	1	..	..	..	..
Handle - - - - -	1277749	1	1	..	..	..	..	..
Lever - - - - -	1275796	1	1	..	..	..	..	..
Cotter pin - - - - -	107761	1	1	..	..	..	..	..
Plainwasher - - - - -	120387	2	2	..	..	..	..	..
Spring - - - - -	1199829	..	..	2	..	..	..	..
Spring - - - - -	1275455	2	2	..	..	..	..	..
Screw - riser bracket to riser - - - - -	120741	8	8	..	..	..	..	..
Nut - - - - -	120368	8	8	..	..	..	..	..
Lockwasher - - - - -	120380	8	8	..	..	..	..	..

GROUP 23 - BODY

PART NAME	PART NO.	BODY SYMBOLS						
		CAB		PANEL	F.F.	COWL	W.S.	COWL
		5112	5122	5113	5110	5120	5111	5121
<b>GROUP 23-H SEAT (CONT'D)</b>								
<b>Seat Regulator (Cont'd)</b>								
Nut - to seat frame - - - - -	120368	8	8	..	..	..	..	
Lockwasher - - - - -	120214	8	8	..	..	..	..	
Screw - to seat cushion pan - - - - -	151384	..	..	4	..	..	..	
Nut - - - - -	657413	..	..	4	..	..	..	
Lockwasher - - - - -	120214	..	..	4	..	..	..	
<b>Seat Cushion</b>								
Assembly - imitation leather - Note 1 - - - -	1279635	1	1	..	..	..	..	
Assembly - imitation leather - Note 2 - - - -	1396690	1	1	..	..	..	..	
Assembly - imitation leather - with foam pad -								
No spring - Note 1 - - - - -	1279849	1	1	..	..	..	..	
Assembly - imitation leather - with foam pad -								
no spring - Note 2 - - - - -	1397059	1	1	..	..	..	..	
Assembly - genuine leather - Note 1 - - - - -	1279846	1	1	..	..	..	..	
Assembly - genuine leather - Note 2 - - - - -	1397057	1	1	..	..	..	..	
Assembly - genuine leather - with foam pad - no								
spring - Note 1 - - - - -	1279851	1	1	..	..	..	..	
Assembly - genuine leather - with foam pad - no								
spring - Note 2 - - - - -	1397063	1	1	..	..	..	..	
Assembly - mohair - with foam pad - no spring -								
Note 7 - - - - -	1104810	1	1	..	..	..	..	
Assembly - mohair - with foam pad - no spring -								
Note 8 - - - - -	1510617	1	1	..	..	..	..	
Assembly - mohair - with foam pad - no spring -								
Note 9 - - - - -	1107301	1	1	..	..	..	..	
Assembly - mohair - less foam pad - with spring	1105475	1	1	..	..	..	..	
Assembly - imitation leather - driver - Note 1	1279631	..	..	1	..	..	..	
Assembly - imitation leather - driver - Note 2	1397977	..	..	1	..	..	..	
Assembly - imitation leather - passenger - Note 1	1279649	..	..	1	..	..	..	
Assembly - imitation leather - passenger - Note 2	1397983	..	..	1	..	..	..	
Assembly - mohair - driver - Note 5 - - - - -	1107323	..	..	1	..	..	..	
Assembly - mohair - driver - Note 6 - - - - -	1510625	..	..	1	..	..	..	
Assembly - mohair - passenger - Note 5 - - - -	1107326	..	..	1	..	..	..	
Assembly - mohair - passenger - Note 6 - - - -	1510628	..	..	1	..	..	..	
Spring assembly - - - - -	1275438	1	1	..	..	..	..	
Spring assembly - - - - -	1275213	..	..	1	..	..	..	
Cover assembly - imitation leather - Note 1	1279637	1	1	..	..	..	..	
Cover assembly - imitation leather - Note 2	1396692	1	1	..	..	..	..	
Cover assembly - imitation leather - with								
foam pad - no springs - Note 1 - - - - -	1396663	1	1	..	..	..	..	
Cover assembly - imitation leather - with								
foam pad - no springs - Note 2 - - - - -	1397060	1	1	..	..	..	..	
Cover assembly - genuine leather - Note 1 -	1279847	1	1	..	..	..	..	
Cover assembly - genuine leather - Note 2 -	1397058	1	1	..	..	..	..	
Cover assembly - genuine leather - with foam								
pad - no springs - Note 1 - - - - -	1396664	1	1	..	..	..	..	
Cover assembly - genuine leather - with foam								
pad - no springs - Note 2 - - - - -	1397064	1	1	..	..	..	..	
Cover assembly - mohair - use with 1104810 -								
Note 7 - - - - -	1103043	1	1	..	..	..	..	
Cover assembly - mohair - use with 1510617 -								
Note 8 - - - - -	1510618	1	1	..	..	..	..	
Cover assembly - mohair - use with 1107301 -								
Note 9 - - - - -	1107299	1	1	..	..	..	..	
Cover assembly - mohair - use with 1105475	1105474	1	1	..	..	..	..	
Cover assembly - imitation leather - Note 1	1279633	..	..	1	..	..	..	
Cover assembly - imitation leather - Note 2	1397985	..	..	1	..	..	..	
Cover assembly - mohair - Note 5 - - - - -	1107324	..	..	1	..	..	..	
Cover assembly - mohair - Note 6 - - - - -	1510626	..	..	1	..	..	..	
Fastener - pad support - - - - -	741923	36	36	24	..	..	..	
Clip - cover - - - - -	708267	..	..	35	..	..	..	

**GROUP 23 - BODY**

PART NAME	PART NO.	BODY SYMBOLS						
		CAB		PANEL	F.F.	COWL	W.S.	COWL
		5112	5122	5113	5110	5120	5111	5121
<b>GROUP 23-H SEAT (CONT'D)</b>								
<b>Seat Back</b>								
Assembly - imitation leather - Note 1 - - -	1279629	..	..	1	..	..	..	..
Assembly - imitation leather - Note 2 - - -	1397976	..	..	1	..	..	..	..
Assembly - mohair - Note 5 - - - - - - - -	1107320	..	..	1	..	..	..	..
Assembly - mohair - Note 6 - - - - - - - -	1510622	..	..	1	..	..	..	..
<b>Seat Back Cushion</b>								
Assembly - imitation leather - Note 1 - - -	1279634	1	1	..	..	..	..	..
Assembly - imitation leather - Note 2 - - -	1396689	1	1	..	..	..	..	..
Assembly - imitation leather - with foam pad - no spring - Note 1 - - - - - - - - - -	1279848	1	1	..	..	..	..	..
Assembly - imitation leather - with foam pad Note 2 - - - - - - - - - - - - - - - -	1397062	1	1	..	..	..	..	..
Assembly - genuine leather - Note 1 - - - -	1279842	1	1	..	..	..	..	..
Assembly - genuine leather - Note 2 - - - -	1397054	1	1	..	..	..	..	..
Assembly - genuine leather - with foam pad - No springs - Note 1 - - - - - - - - - -	1279850	1	1	..	..	..	..	..
Assembly - genuine leather - with foam pad - Note 2 - - - - - - - - - - - - - - - -	1397065	1	1	..	..	..	..	..
Assembly - mohair - use with 1104810 seat cushion - Note 7 - - - - - - - - - - - -	1104811	1	1	..	..	..	..	..
Assembly - mohair - use with 1510617 seat cushion - Note 8 - - - - - - - - - - - -	1510619	1	1	..	..	..	..	..
Assembly - mohair - use with 1107301 seat cushion - Note 9 - - - - - - - - - - - -	1107302	1	1	..	..	..	..	..
Assembly - mohair - use with 1105475 seat cushion - - - - - - - - - - - - - - - -	1105476	1	1	..	..	..	..	..
Assembly - imitation leather - Note 1 - - - -	1279630	..	..	1	..	..	..	..
Assembly - imitation leather - Note 2 - - - -	1396705	..	..	1	..	..	..	..
Assembly - mohair - Note 5 - - - - - - - - -	1107321	..	..	1	..	..	..	..
Assembly - mohair - Note 6 - - - - - - - - -	1510623	..	..	1	..	..	..	..
Spring assembly - use with leather cushion less foam pad - - - - - - - - - - - - - -	1275436	1	1	..	..	..	..	..
Spring assembly - use with leather cushion with foam pad - - - - - - - - - - - - - -	1276678	1	1	..	..	..	..	..
Spring assembly - use with mohair cushion	1276678	1	1	..	..	..	..	..
Spring assembly - - - - - - - - - - - - - -	902859	..	..	1	..	..	..	..
Cover assembly - imitation leather - Note 1	1279636	1	1	..	..	..	..	..
Cover assembly - imitation leather - Note 2	1396691	1	1	..	..	..	..	..
Cover assembly - genuine leather - Note 1	1279843	1	1	..	..	..	..	..
Cover assembly - genuine leather - Note 2	1397055	1	1	..	..	..	..	..
Cover assembly - mohair - use with 1104811 Note 7 - - - - - - - - - - - - - - - -	1103044	1	1	..	..	..	..	..
Cover assembly - mohair - use with 1510619 Note 8 - - - - - - - - - - - - - - - -	1510620	1	1	..	..	..	..	..
Cover assembly - mohair - use 1107302 - Note 9 - - - - - - - - - - - - - - - -	1107300	1	1	..	..	..	..	..
Cover assembly - mohair - use 1105476 - -	1103043	1	1	..	..	..	..	..
Cover assembly - Note 1 - - - - - - - - - -	1279632	..	..	1	..	..	..	..
Cover assembly - Note 2 - - - - - - - - - -	1396708	..	..	1	..	..	..	..
Cover assembly - mohair - Note 5 - - - - -	1107322	..	..	1	..	..	..	..
Cover assembly - mohair - Note 6 - - - - -	1510624	..	..	1	..	..	..	..
Fastener - - - - - - - - - - - - - - - -	741923	20	20	25	..	..	..	..
<b>Seat Attaching Parts</b>								
Screw - seat back cushion spring to panel -	151384	..	..	2	..	..	..	..
Nut - - - - - - - - - - - - - - - - - -	120368	..	..	2	..	..	..	..
Lockwasher - - - - - - - - - - - - - - -	1094595	..	..	2	..	..	..	..
<b>NOTE A:</b>	Parts following this note are for panel trucks equipped with full width passenger car type seat with split back.							

**GROUP 23 - BODY**

23-23

PART NAME	PART NO.	BODY SYMBOLS						
		CAB		PANEL	F.F.	COWL	W.S.	COWL
		5112	5122	5113	5110	5120	5111	5121
<b>GROUP 23-H SEAT (CONT'D)</b>								
<b>Seat Trimmed</b>								
Assembly complete - less cushion - imitation leather - Note 5 - - - - -	1107045	..	..	1	..	..	..	..
Assembly complete - less cushion - imitation leather - Note 6 - - - - -	1107451	..	..	1	..	..	..	..
<b>Seat Cushion</b>								
Assembly - imitation leather - Note 5 - - - - -	1107046	..	..	1	..	..	..	..
Assembly - imitation leather - Note 6 - - - - -	1107542	..	..	1	..	..	..	..
Spring assembly - Note 5 - - - - -	1106280	..	..	1	..	..	..	..
Spring assembly - Note 6 - - - - -	1107037	..	..	1	..	..	..	..
Cover assembly - - - - -	1143986	..	..	1	..	..	..	..
<b>Seat Back Cushion</b>								
Assembly - imitation leather - right - Note 5 - - - - -	1107048	..	..	1	..	..	..	..
Assembly - imitation leather - left - Note 5 - - - - -	1107049	..	..	1	..	..	..	..
Assembly - imitation leather - right - Note 6 - - - - -	1107544	..	..	1	..	..	..	..
Assembly - imitation leather - left - Note 6 - - - - -	1107545	..	..	1	..	..	..	..
Spring assembly - right - Note 5 - - - - -	1106281	..	..	1	..	..	..	..
Spring assembly - left - Note 5 - - - - -	1106282	..	..	1	..	..	..	..
Spring assembly - right - Note 6 - - - - -	1107038	..	..	1	..	..	..	..
Spring assembly - left - Note 6 - - - - -	1107039	..	..	1	..	..	..	..
Cover assembly - right - Note 5 - - - - -	1143987	..	..	1	..	..	..	..
Cover assembly - left - Note 5 - - - - -	1143988	..	..	1	..	..	..	..
Cover assembly - right - Note 6 - - - - -	1133205	..	..	1	..	..	..	..
Cover assembly - left - Note 6 - - - - -	1133206	..	..	1	..	..	..	..
<b>Seat Outside Shield Cover</b>								
Assembly - imitation leather - right - - - - -	1143873	..	..	1	..	..	..	..
Assembly - imitation leather - left - - - - -	1143874	..	..	1	..	..	..	..
<b>Seat Frame Rear Center Section Cover</b>								
Assembly - imitation leather - - - - -	1143875	..	..	1	..	..	..	..
<b>Seat Back Toe Riser End Cover</b>								
Assembly - imitation leather - right - - - - -	1143851	..	..	1	..	..	..	..
Assembly - imitation leather - left - - - - -	1143852	..	..	1	..	..	..	..
Assembly - imitation leather - inner - right - - - - -	1143857	..	..	1	..	..	..	..
Assembly - imitation leather - inner - left - - - - -	1143858	..	..	1	..	..	..	..
<b>Seat Guide</b>								
Assembly - right - - - - -	1367982	..	..	1	..	..	..	..
Assembly - left - - - - -	1367983	..	..	1	..	..	..	..
Nut - to seat - - - - -	120368	..	..	6	..	..	..	..
Lockwasher - - - - -	120214	..	..	6	..	..	..	..
Plainwasher - - - - -	128051	..	..	6	..	..	..	..
Screw - to floor pan - - - - -	120229	..	..	8	..	..	..	..
Lockwasher - - - - -	138538	..	..	8	..	..	..	..
Lever and bracket assembly - - - - -	1245507	..	..	1	..	..	..	..
Screw bracket to seat - - - - -	121900	..	..	2	..	..	..	..
Lockwasher - - - - -	121753	..	..	2	..	..	..	..
Spring - - - - -	907875	..	..	1	..	..	..	..
Handle - - - - -	951886	..	..	1	..	..	..	..
Screw - - - - -	151538	..	..	1	..	..	..	..
Escutcheon - - - - -	907324	..	..	1	..	..	..	..
Rod - lock connector - - - - -	1245504	..	..	1	..	..	..	..
Nut - adjusting - - - - -	975003	..	..	1	..	..	..	..
Cotter pin - - - - -	112726	..	..	1	..	..	..	..
Spring - tension - Note 6 - - - - -	1234369	..	..	2	..	..	..	..

**GROUP 23 - BODY**

PART NAME	PART NO.	BODY SYMBOLS						
		CAB		PANEL	F.F.	COWL	W.S.	COWL
		5112	5122	5113	5110	5120	5111	5121
<b>GROUP 23-H SEAT (CONT'D)</b>								
<b>Seat Back Hinge</b>								
Bracket assembly - outer hinge - right - - - -	1303481	..	..	1	..	..	..	..
Bracket assembly - outer hinge - left - - - -	1303482	..	..	1	..	..	..	..
Pin - outer hinge - - - - - - - - - -	1247729	..	..	2	..	..	..	..
Retainer - - - - - - - - - -	1304333	..	..	2	..	..	..	..
Washer - - - - - - - - - -	1247817	..	..	2	..	..	..	..
Bracket assembly - center hinge - - - - -	1303680	..	..	1	..	..	..	..
Cotter pin - hinge - - - - - - - - - -	103373	..	..	2	..	..	..	..
<b>Seat Bottom Frame Back Stop Bracket</b>								
Bolt - adjusting - - - - - - - - - -	1247625	..	..	2	..	..	..	..
Nut - - - - - - - - - -	124925	..	..	2	..	..	..	..
NOTE B: Parts following this note are for panel trucks equipped with full width cab type seat.								
<b>Seat Cushion</b>								
Assembly - imitation leather - - - - - - - -	1279635	..	..	1	..	..	..	..
Assembly - imitation leather - with foam pad - no springs - - - - - - - - - -	1279849	..	..	1	..	..	..	..
Spring assembly - - - - - - - - - -	1275438	..	..	1	..	..	..	..
Cover assembly - - - - - - - - - -	1279637	..	..	1	..	..	..	..
Fasteners - pad and support - - - - - - - -	741923	..	..	12	..	..	..	..
<b>Seat Back Cushion</b>								
Assembly - imitation leather - - - - - - - -	1107127	..	..	1	..	..	..	..
Assembly - imitation leather - with foam pad - no spring - - - - - - - - - -	1279848	..	..	1	..	..	..	..
Spring assembly - - - - - - - - - -	1105077	..	..	1	..	..	..	..
Cover assembly - - - - - - - - - -	1279636	..	..	1	..	..	..	..
Fastener - pad - - - - - - - - - -	741923	..	..	8	..	..	..	..
<b>Seat Regulator</b>								
Assembly - right - - - - - - - - - -	1275440	..	..	1	..	..	..	..
Assembly - left - - - - - - - - - -	1275441	..	..	1	..	..	..	..
Nut - regulator screw - - - - - - - - - -	120368	..	..	8	..	..	..	..
Lockwasher - - - - - - - - - -	120214	..	..	8	..	..	..	..
Screw - to riser bracket to riser - - - - -	120741	..	..	8	..	..	..	..
Nut - - - - - - - - - -	120368	..	..	8	..	..	..	..
Lockwasher - - - - - - - - - -	120214	..	..	8	..	..	..	..
Control rod - right - - - - - - - - - -	1275797	..	..	1	..	..	..	..
Control rod - left - - - - - - - - - -	1275798	..	..	1	..	..	..	..
Handle - - - - - - - - - -	1277749	..	..	1	..	..	..	..
Plainwasher - - - - - - - - - -	120387	..	..	2	..	..	..	..
Cotter pin - - - - - - - - - -	103363	..	..	2	..	..	..	..
Lever - - - - - - - - - -	1275796	..	..	1	..	..	..	..
Ratchet spring - - - - - - - - - -	1275455	..	..	2	..	..	..	..
<b>GROUP 23-I TRIM</b>								
<b>Front Door Trim Panel</b>								
Assembly - right - Note 1 - Note 10 - - - - -	1278647	1	1	1	..	..	..	..
Assembly - left - Note 1 - Note 10 - - - - -	1278648	1	1	1	..	..	..	..
Assembly - right - Note 1 - Note 11 - - - - -	1396283	1	1	1	..	..	..	..
Assembly - left - Note 1 - Note 11 - - - - -	1396284	1	1	1	..	..	..	..
Assembly - right - Note 2 - - - - - - - - - -	1397930	1	1	1	..	..	..	..
Assembly - left - Note 2 - - - - - - - - - -	1397931	1	1	1	..	..	..	..
Screw - - - - - - - - - -	271161	20	20	20	..	..	..	..
Washer - - - - - - - - - -	140259	20	20	20	..	..	..	..

PART NAME	PART NO.	BODY SYMBOLS						
		CAB		PANEL	F.F.	COWL	W.S.	COWL
		5112	5122	5113	5110	5120	5111	5121
<b>GROUP 23-I TRIM (CONT'D)</b>								
<b>Cowl Trim Panel</b>								
Assembly - right - Note 1 - - - - -	1279420	1	1	1	..	..	1	1
Assembly - left - Note 1 - - - - -	1279421	1	1	1	..	..	1	1
Assembly - right - Note 2 - - - - -	1397910	1	1	1	..	..	..	..
Assembly - left - Note 2 - - - - -	1397911	1	1	1	..	..	..	..
Fastener - Note 1 - - - - -	1197667	6	6	6	..	..	6	6
Fastener - Note 2 - - - - -	1397967	6	6	6	..	..	..	..
<b>Dash Liner</b>								
Assembly - - - - -	1275774	1	1	1	1	1	1	1
Fastener - - - - -	1199166	12	12	12	12	12	12	12
<b>Roof Headlining Trim Panel</b>								
Assembly - Note 1 - - - - -	1279367	1	1	..	..	..	..	..
Assembly - Note 2 - - - - -	1397922	1	1	..	..	..	..	..
Assembly - Note 1 - - - - -	1279370	..	..	1	..	..	..	..
Assembly - Note 2 - - - - -	1397927	..	..	1	..	..	..	..
Screw - - - - -	148545	1	1	2	..	..	..	..
Washer - - - - -	140259	1	1	2	..	..	..	..
Fastener - Note 1 - - - - -	1279345	4	4	12	..	..	..	..
Fastener - Note 2 - - - - -	1397968	4	4	14	..	..	..	..
Felt pad - - - - -	772414	..	..	*	..	..	..	..
<b>Rear Trim Panel</b>								
Assembly - Note 1 - - - - -	1279425	1	1	..	..	..	..	..
Assembly - Note 2 - - - - -	1397915	1	1	..	..	..	..	..
Fastener - Note 1 - - - - -	1279349	9	9	..	..	..	..	..
Fastener - Note 1 - - - - -	1279345	9	9	..	..	..	..	..
Fastener - Note 2 - - - - -	1397968	9	9	..	..	..	..	..
Fastener - Note 2 - - - - -	1397969	9	9	..	..	..	..	..
<b>Front Door Arm Rest</b>								
Assembly - Note 1 - - - - -	1279595	1	1	1	..	..	..	..
Assembly - Note 2 - - - - -	1397519	1	1	1	..	..	..	..
Screw - - - - -	271141	2	2	2	..	..	..	..
Nut assembly - - - - -	120367	2	2	2	..	..	..	..
<b>Windshield Sun Visor</b>								
<b>NOTE:</b> For vehicles equipped with dual visor order as shown below: For vehicles equipped with single visor order as required.								
Panel assembly - Note 1 - - - - -	1279971	2	2	2	..	..	..	..
Panel assembly - Note 2 - - - - -	1397950	2	2	2	..	..	..	..
Clip corner - - - - -	460955	2	2	2	..	..	..	..
Arm assembly - right - chrome - - - - -	1277065	1	1	1	..	..	..	..
Arm assembly - left - chrome - - - - -	1277066	1	1	1	..	..	..	..
Arm assembly - right - brown - - - - -	1280288	1	1	1	..	..	..	..
Arm assembly - left - brown - - - - -	1280289	1	1	1	..	..	..	..
Spring - - - - -	466410	2	2	2	..	..	..	..
Washer - - - - -	466411	2	2	2	..	..	..	..
Screw - to header - - - - -	161904	6	6	6	..	..	..	..
<b>Trim Material</b>								
Imitation leather - Note 1 - - - - -	1279638	*	*	*	..	..	..	..
Imitation leather - Note 2 - - - - -	1396693	*	*	*	..	..	..	..
Genuine leather - Note 1 - - - - -	1396313	*	*	*	..	..	..	..
Genuine leather - Note 2 - - - - -	1397056	*	*	*	..	..	..	..
Mohair - Note 7 - - - - -	1103040	*	*	..	..	..	..	..
Mohair - Note 8 - - - - -	1510616	*	*	..	..	..	..	..
Mohair - Note 9 - - - - -	1107298	*	*	..	..	..	..	..

GROUP 23 - BODY

PART NAME	PART NO.	BODY SYMBOLS						
		CAB		PANEL	F.F.	COWL	W.S.	COWL
		5112	5122	5113	5110	5120	5111	5121
<b>GROUP 23-I TRIM (CONT'D)</b>								
<b>Trim Material (Cont'd)</b>								
Mohair - Note 5 - - - - -	1107298	::	::	*	::	::	::	
Mohair - Note 6 - - - - -	1510616	::	::	*	::	::	::	
<b>GROUP 23-J WINDSHIELD</b>								
<b>Windshield</b>								
Glass - standard - - - - -	1199999	2	2	2	::	::	2 2	
Glass - solex - - - - -	1398839	2	2	2	::	::	2 2	
Weatherstrip - - - - -	1097234	1	1	1	::	::	1 1	
Center bar - outside - - - - -	1097225	1	1	1	::	::	1 1	
Center bar - inside mirror - - - - -	1097930	1	1	1	::	::	1 1	
Screw - - - - -	446010	4	4	4	::	::	4 4	
Moulding - inside - - - - -	1097227	1	1	1	::	::	1 1	
Retainer - - - - -	1097229	1	1	1	::	::	1 1	
Garnish moulding - right - - - - -	1199454	1	1	1	::	::	1 1	
Garnish moulding - left - - - - -	1199455	1	1	1	::	::	1 1	
Screw - - - - -	168525	16	16	16	::	::	16 16	
Plug - - - - -	1097727	4	4	4	::	::	4 4	
<b>GROUP 23-K WINDSHIELD WIPER</b>								
<b>Windshield Wiper Arm</b>								
Assembly - right - - - - -	1274050	1	1	1	::	::	1 1	
Assembly - left - - - - -	1274051	1	1	1	::	::	1 1	
<b>Windshield Wiper Blade</b>								
Package - - - - -	1253398	2	2	2	::	::	2 2	
<b>Windshield Wiper - Vacuum Type</b>								
Motor assembly - - - - -	1274128	1	1	1	::	::	1 1	
Screw - mounting - - - - -	160680	2	2	2	::	::	2 2	
Lockwasher - - - - -	138486	2	2	2	::	::	2 2	
Mounting bracket - - - - -	1260766	1	1	1	::	::	1 1	
Nut - - - - -	120614	2	2	2	::	::	2 2	
Lockwasher - - - - -	138479	2	2	2	::	::	2 2	
Control cable assembly - - - - -	1274146	1	1	1	::	::	1 1	
Nut - mounting - - - - -	1195698	1	1	1	::	::	1 1	
Washer - - - - -	675877	1	1	1	::	::	1 1	
Knob assembly - Note 1 - - - - -	1148881	1	1	1	::	::	1 1	
Knob assembly - Note 2 - - - - -	1244788	1	1	1	::	::	1 1	
Spacer - - - - -	120392	1	1	1	::	::	1 1	
Link assembly - to pivot - right - - - - -	1273262	1	1	1	::	::	1 1	
Link assembly - to pivot - left - - - - -	1273263	1	1	1	::	::	1 1	
Bushing - - - - -	1239371	2	2	2	::	::	2 2	
Retainer - - - - -	837999	2	2	2	::	::	2 2	
Washer - - - - -	659998	4	4	4	::	::	4 4	
Pivot assembly - - - - -	1272371	2	2	2	::	::	2 2	
Pin - - - - -	110414	2	2	2	::	::	2 2	
Oiler screw - - - - -	134167	2	2	2	::	::	2 2	
Cover - - - - -	1194585	2	2	2	::	::	2 2	
Screw - - - - -	186487	4	4	4	::	::	4 4	
Gasket - - - - -	1241052	2	2	2	::	::	2 2	
Gasket - pivot to cover - - - - -	882926	2	2	2	::	::	2 2	
Tube - rubber - - - - -	611511	*	*	*	::	::	* *	
Hose - rubber - 50 ft. roll - - - - -	910154	*	*	*	::	::	* *	
Grommet - - - - -	120879	1	1	1	::	::	1 1	
Manifold tube assembly - - - - -	861574	1	::	1	::	::	1 1	
Manifold tube assembly - - - - -	861603	::	1	::	::	::	1 1	
Nut - - - - -	137397	1	2	1	::	::	1 2	
Nipple - - - - -	137405	1	1	1	::	::	1 1	
Elbow - - - - -	225810	::	1	::	::	::	1 1	

**GROUP 23 - BODY**

PART NAME	PART NO.	BODY SYMBOLS						
		CAB		PANEL	F.F.	COWL	W.S.	COWL
		5112	5122	5113	5110	5120	5111	5121
<b>GROUP 23-K WINDSHIELD WIPER (CONT'D)</b>								
<b>Windshield Wiper - Electric Type</b>								
Motor assembly - (For breakdown see "Internal Parts")	1272340	1	1	1	..	..	1	1
Screw - mounting	160680	2	2	2	..	..	2	2
Lockwasher	138486	2	2	2	..	..	2	2
Bracket - mounting	1261421	1	1	1	..	..	1	1
Screw	132105	4	4	4	..	..	4	4
Washer	120392	4	4	4	..	..	4	4
Grommet	1260737	4	4	4	..	..	4	4
Switch assembly	898571	1	1	1	..	..	1	1
Nut - mounting	1195698	1	1	1	..	..	1	1
Washer	675877	1	1	1	..	..	1	1
Knob assembly - Note 1	1148881	1	1	1	..	..	1	1
Knob assembly - Note 2	1501785	1	1	1	..	..	1	1
Cable - full gauge to switch - 10" of #14	385573	*	*	*	..	..	*	*
Terminal	200393	1	1	1	..	..	1	1
Sleeve	1264933	1	1	1	..	..	1	1
Terminal	665151	1	1	1	..	..	1	1
Pivot assembly	1272371	2	2	2	..	..	2	2
Pin	110414	2	2	2	..	..	2	2
Oiler screw	134167	2	2	2	..	..	2	2
Cover	1194585	2	2	2	..	..	2	2
Screw	186487	4	4	4	..	..	4	4
Gasket	1241052	2	2	2	..	..	2	2
Gasket - pivot to cover	882926	2	2	2	..	..	2	2
Link	1272410	2	2	2	..	..	2	2
Bushing	1239371	2	2	2	..	..	2	2
Retainer	837999	4	4	4	..	..	4	4
Washer	659998	4	4	4	..	..	4	4
<b>Windshield Wiper Electric Motor - Internal Parts</b>								
Cover plate	1138503	1	1	1	..	..	1	1
Gasket	1262350	2	2	2	..	..	2	2
Screw	131958	8	8	8	..	..	8	8
Lockwasher	131095	8	8	8	..	..	8	8
Thru bolt	1262341	2	2	2	..	..	2	2
Lockwasher	131096	2	2	2	..	..	2	2
Brush	866773	2	2	2	..	..	2	2
Spring	864912	2	2	2	..	..	2	2
Crank arm	1262367	2	2	2	..	..	2	2
Spring washer	1262342	2	2	2	..	..	2	2
Thrust washer	1262347	4	4	4	..	..	4	4
Gear - L.H.	1262345	1	1	1	..	..	1	1
Gear - R.H.	1262346	1	1	1	..	..	1	1
Key	1262343	2	2	2	..	..	2	2
Plate	1262344	1	1	1	..	..	1	1
Washer	1390520	1	1	1	..	..	1	1
Lockwasher	121637	2	2	2	..	..	2	2
Nut	120375	2	2	2	..	..	2	2
Plunger	1390521	1	1	1	..	..	1	1
Lead assembly	1262351	1	1	1	..	..	1	1
Insulating tube	1262352	1	1	1	..	..	1	1
Armature	1262365	1	1	1	..	..	1	1
Thrust washer - drive end	1262353	*	*	*	..	..	*	*
Thrust washer - drive end and commutator end.	1262354	*	*	*	..	..	*	*
Thrust washer - drive end	1262355	*	*	*	..	..	*	*
Base plate and switch assembly	1262366	1	1	1	..	..	1	1
Switch cover assembly	1262357	1	1	1	..	..	1	1
Switch cover	1262358	1	1	1	..	..	1	1
Grommet	1262359	1	1	1	..	..	1	1
Commutator end head assembly	1262363	1	1	1	..	..	1	1
Drive end head assembly	1262364	1	1	1	..	..	1	1
Grommet	1154359	1	1	1	..	..	1	1
Pole shoe screw	133767	2	2	2	..	..	2	2
Field coil assembly - complete	1262360	1	1	1	..	..	1	1
Field coil	1262361	1	1	1	..	..	1	1





GROUP 24 - EXPRESS BOX

Express Box Body Symbols	Box Length	Box Height	Models	
			Dodge	Fargo
5116	78"	22 7/16"	DG1-DH1	F01-FP1
5116-A	78"	17"	DG1	F01
5126	90"	22 7/16"	DG2-16	F02-16
5136	108"	22 7/16"	DG2-26-DH2	F02-26-FP2

PART NAME	PART NO.	BODY SYMBOLS			
		5116	5116A	5126	5136
<b>GROUP 24-A EXPRESS BODY</b>					
<b>Floor Board</b>					
Skid strip - Note 1	1275875	5	5	..	..
Skid strip - Note 2	1398110	7	..	..	..
Skid strip - Note 1	1275877	..	..	5	..
Skid strip - Note 1	1275879	..	..	..	5
Skid strip - Note 2	1398114	..	..	..	7
Bolt	126373	*	*	*	*
Nut	120376	*	*	*	*
Lockwasher	120214	*	*	*	*
Plainwasher	1239880	*	*	*	*
Insulator - tailpipe	715388	1	1	1	1
Screw	130133	4	4	4	4
Plainwasher	120385	4	4	4	4
<b>Body Hold Down Bolt</b>					
Bolt	966554	6	6	6	8
Nut	120371	6	6	6	8
Lockwasher	120384	6	6	6	8
Plate - Note 1	797273	6	6	6	8
Plate - Note 2	1398245	6	..	..	8
Pad - body to frame	890241	2	2	2	4
Spacer assembly - body to frame	1275025	1	1	1	1
<b>Front Panel</b>					
Panel - Note 1	1097791	1	..	..	..
Panel - Note 2	1398050	1	..	..	..
Panel assembly - Note 1	1276219	..	1	..	..
Panel - Note 1	1097792	..	..	1	1
Panel - Note 2	1398055	..	..	..	1
Bolt - to floor	126373	*	*	*	*
Nut	120376	*	*	*	*
Lockwasher	1097771	*	*	*	*
<b>Side Panel</b>					
Assembly - right - Note 1	1097685	1	..	..	..
Assembly - left - Note 1	1097686	1	..	..	..
Assembly - right - Note 2	1398127	1	..	..	..
Assembly - left - Note 2	1398128	1	..	..	..
Assembly - right - Note 1	1276224	..	1	..	..
Assembly - left - Note 1	1276225	..	1	..	..
Assembly - right - Note 1	1097687	..	..	1	..
Assembly - left - Note 1	1097688	..	..	1	..
Assembly - right - Note 1	1097689	..	..	..	1
Assembly - left - Note 1	1097690	..	..	..	1
Assembly - right - Note 2	1398159	..	..	..	1
Assembly - left - Note 2	1398160	..	..	..	1
Bolt - floor angle to floor	126373	14	14	18	22
Nut	120376	14	14	18	22
Lockwasher	1093272	14	14	18	22
Screw - to front panel	120741	8	..	8	8
Screw - to front panel	151384	..	6	..	..
Nut	120368	8	..	8	8
Lockwasher	1097771	8	6	8	8
Tie rod	1096967	1	..	..	..
Tie rod	785439	..	1	..	..
Tie rod	1097422	..	..	1	1
Nut	120368	2	..	2	2







NOTES:









DON'T *Gamble* WITH  
CUSTOMER GOODWILL



*Use Only*  
↘

*Factory  
Engineered and Inspected  
Parts*