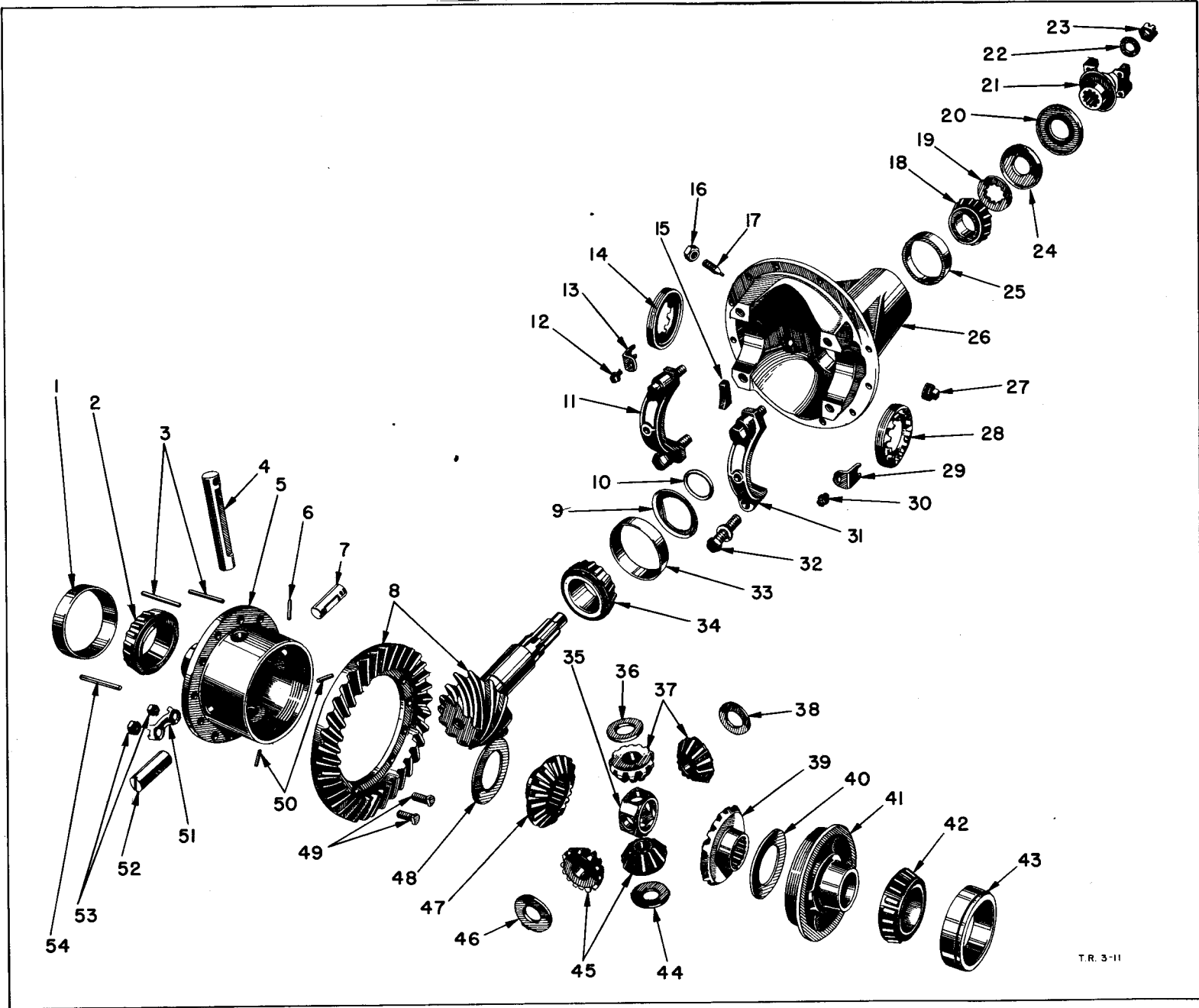


Ref. No.	Part Name	Group
1	Housing vent screw.....	3-A
2	Axle housing.....	3-A
3	Drain plug.....	3-A
4	Oil seal snap ring.....	22-E
5	Oil seal assy. - inner.....	22-E
6	Wheel bearing cone - inner.....	22-E
7	Wheel bearing cup - inner.....	22-E
8	Wheel bearing cup - outer.....	22-E
9	Wheel bearing cone - outer.....	22-E
10	Adjusting nut - inner.....	22-E

Ref. No.	Part Name	Group
11	Adjusting nut lock.....	22-E
12	Adjusting nut - outer.....	22-E
13	Oil seal assy. - outer.....	22-E
14	Axle shaft stud nut.....	3-F
15	Axle shaft stud nut washer.....	3-F
16	Axle shaft.....	3-F
17	Oil seal gasket.....	22-E
18	Axle shaft stud.....	3-F
19	Hub stud.....	22-C
20	Rear hub assy.....	22-C



GROUP 3 - REAR AXLE

T.R. 3-11

53
5447
46

45

44

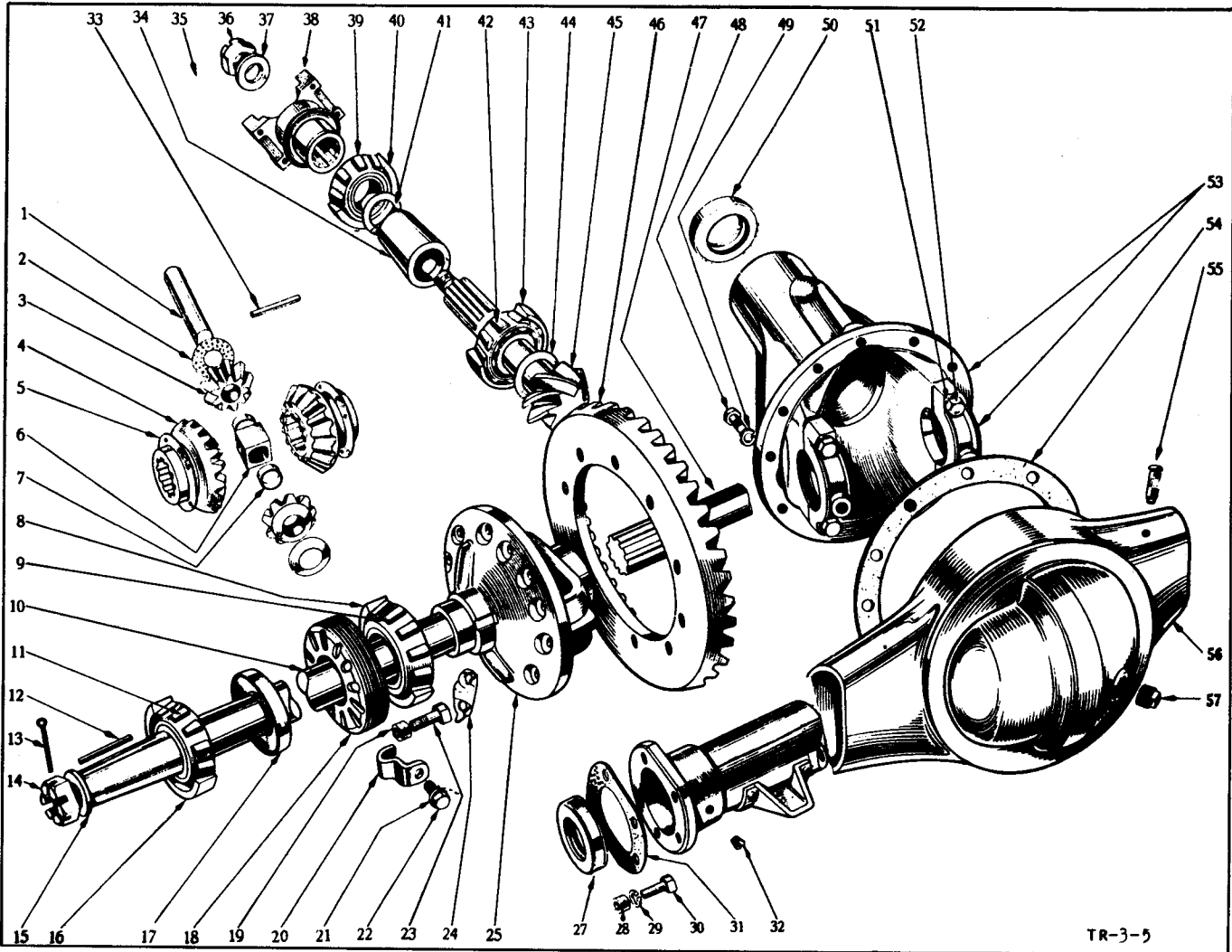
TR 3-11

REAR AXLE - HYPOID (Cont'd)

Plate 6 (Cont'd)

Ref. No.	Part Name	Group	Ref. No.	Part Name	Group
1	Diff. bearing cup.....	3-B	28	Diff. bearing adjuster.....	3-B
2	Diff. side bearing.....	3-B	29	Diff. bearing adjuster lock.....	3-B
3	Pinion shaft lock pin.....	3-B	30	Diff. bearing adjuster lock screw.....	3-B
4	Pinion shaft - long.....	3-B	31	Carrier bearing cap (Serv. carrier Assy.).....	3-B
5	Diff. case - serviced in assy.....	3-B	32	Diff. carrier cap screw.....	3-B
6	Diff. case pin.....	3-B	33	Pinion bearing cup - rear.....	3-E
7	Pinion shaft - short.....	3-B	34	Pinion bearing - rear.....	3-E
8	Drive gear - serviced in gear set.....	3-C	35	Pinion shaft thrust block.....	3-B
9	Rear bearing oil baffle.....	3-E	36	Pinion thrust washer.....	3-B
10	Pinion bearing spacer.....	3-E	37	Diff. pinion.....	3-B
11	Carrier bearing cap (Serv. Carrier Assembly).....	3-B	38	Pinion thrust washer.....	3-B
12	Diff. bearing adjuster lock screw.....	3-B	39	Diff. side gear.....	3-B
13	Diff. bearing adjuster lock.....	3-B	40	Side gear thrust washer.....	3-B
14	Diff. bearing adjuster.....	3-B	41	Diff. case cap - Serviced In Assy.....	3-B
15	Thrust screw pad.....	3-D	42	Diff. side bearing.....	3-B
16	Thrust pad screw nut.....	3-D	43	Diff. bearing cup.....	3-B
17	Thrust pad screw.....	3-D	44	Pinion thrust washer.....	3-B
18	Drive pinion bearing - front.....	3-E	45	Diff. pinion.....	3-B
19	Pinion bearing washer.....	3-E	46	Pinion thrust washer.....	3-B
20	Pinion bearing oil seal.....	3-E	47	Diff. side gear.....	3-B
21	Pinion flange.....	16-E	48	Side gear thrust washer.....	3-D
22	Pinion washer.....	16-E	49	Drive gear bolt.....	3-B
23	Pinion nut.....	16-E	50	Diff. case pin.....	3-D
24	Drive pinion bearing oil slinger.....	3-E	51	Drive gear bolt nut lock.....	3-B
25	Pinion front bearing cup.....	3-E	52	Diff. pinion shaft - short.....	3-D
26	Diff. carrier.....	3-B	53	Drive gear bolt nut.....	3-B
27	Drain plug.....	3-B	54	Pinion shaft lock pin.....	3-B

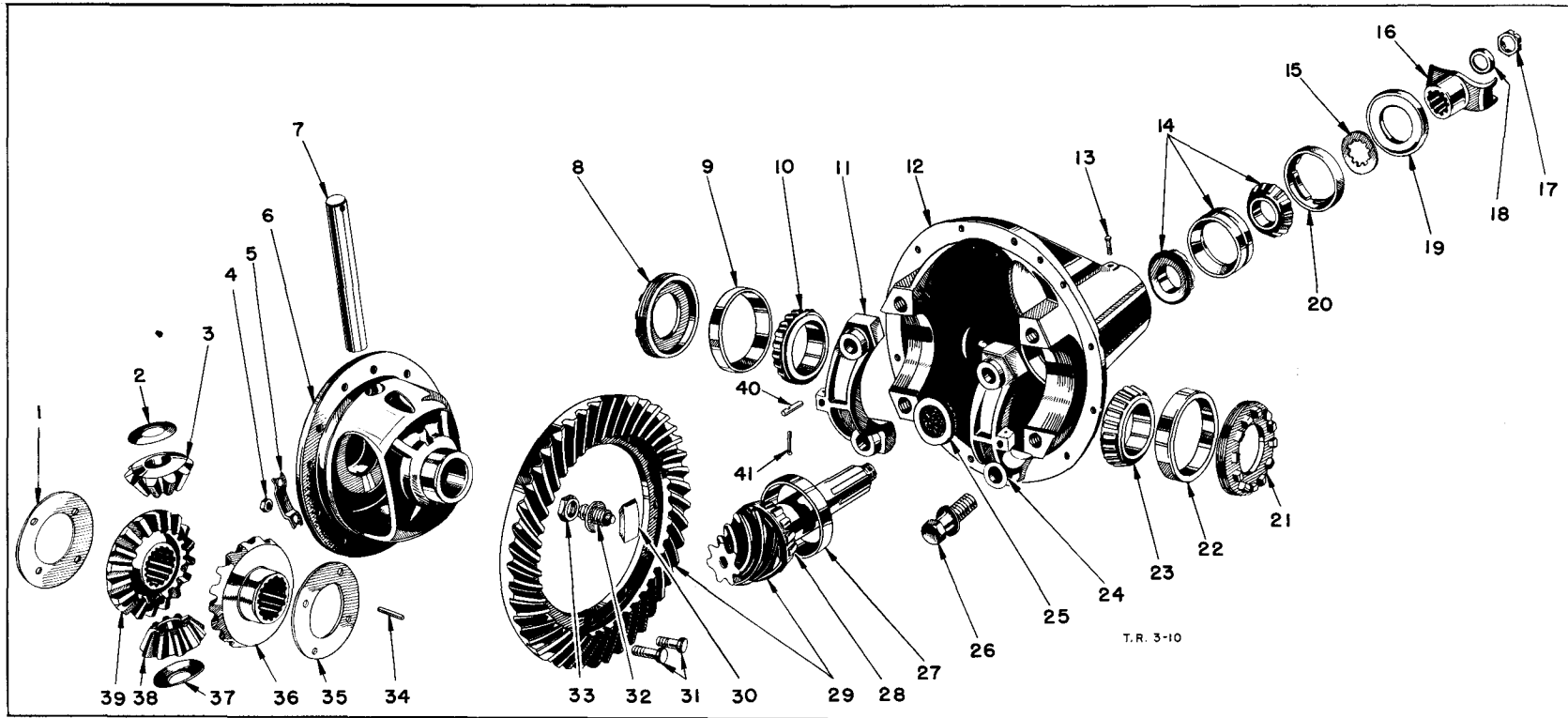
GROUP 3 - REAR AXLE



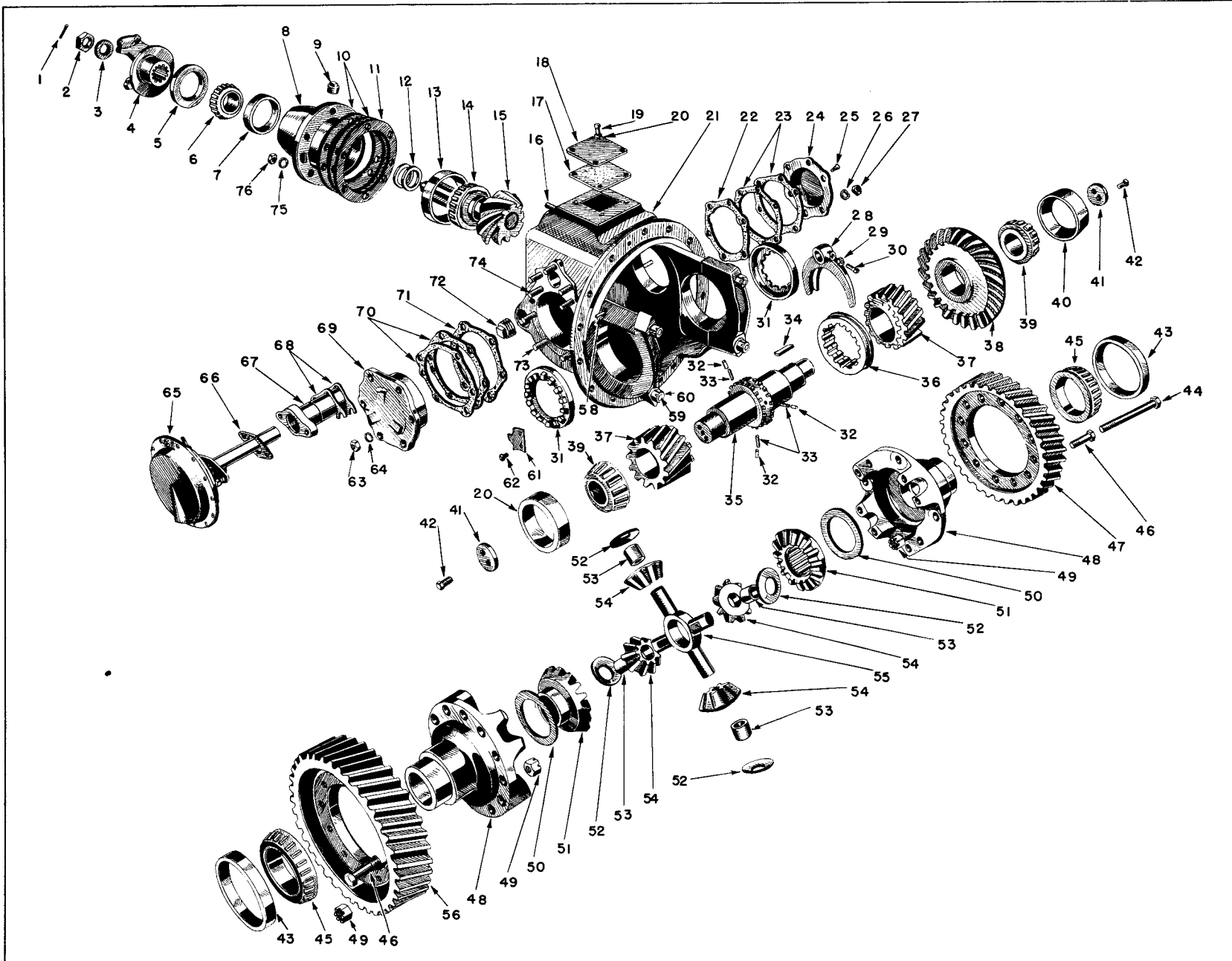
TR-3-5

Ref. No.	Part Name	Group
1	Differential pinion shaft.....	3-B
2	Differential pinion thrust washer.....	3-B
3	Differential pinion.....	3-B
4	Differential side gear.....	3-B
5	Differential side gear thrust washer.....	3-B
6	Drive shaft thrust block.....	3-F
7	Drive shaft thrust block spacer.....	3-F
8	Differential bearing cup.....	3-B
9	Differential bearing cone and rollers.....	3-B
10	Drive shaft.....	3-F
11	Drive shaft bearing cone and rollers.....	3-F
12	Drive shaft key.....	3-F
13	Drive shaft nut cotter pin.....	3-F
14	Drive shaft nut.....	3-F
15	Drive shaft nut washer.....	3-F
16	Drive shaft bearing cup.....	3-F
17	Drive shaft oil seal assembly - inside.....	3-F
18	Differential bearing adjuster.....	3-B
19	Drive gear bolt nut.....	3-D
20	Differential bearing adjuster lock.....	3-B
21	Differential bearing adjuster lock screw washer (serviced in screw and washer assembly).....	3-B
22	Differential bearing adjuster lock screw (serviced in screw and washer assembly)..	3-B
23	Drive gear bolt.....	3-D
24	Drive gear bolt nut lock.....	3-D
25	Differential case.....	3-B
27	Drive shaft bearing oil seal (outside).....	3-F
28	Brake support to axle housing bolt nut.....	5-C

Ref. No.	Part Name	Group
29	Brake support to axle housing bolt nut lockwasher.....	5-C
30	Brake support to axle housing bolt.....	5-C
31	Drive shaft bearing shim.....	3-F
32	Drive bearing oil hole plug.....	3-B
33	Differential pinion shaft lock pin or screw	3-B
34	Drive pinion bearing spacer.....	3-E
35	Drive pinion flange nut cotter pin.....	16-E
36	Drive pinion flange nut	16-E
37	Drive pinion flange nut washer.....	16-E
38	Drive pinion flange.....	16-E
39	Drive pinion front bearing cone and rollers	3-E
40	Drive pinion front bearing cup.....	3-E
41	Drive pinion front bearing adjusting shims.	3-E
42	Drive pinion rear bearing cone and rollers.	3-E
43	Drive pinion rear bearing cup.....	3-E
44	Drive pinion rear bearing washer or shims..	3-E
45	Drive pinion.....	3-C
46	Drive gear.....	3-C
47	Drive shaft.....	3-F
48	Drive pinion carrier screw.....	3-B
49	Drive pinion carrier screw lockwasher.....	3-B
50	Drive pinion bearing oil seal.....	3-E
51	Differential bearing cap screw lockwasher...	3-B
52	Differential bearing cap screw.....	3-B
53	Drive pinion carrier and cap assembly.....	3-B
54	Drive pinion carrier gasket.....	3-B
55	Housing vent nipple or screw assembly.....	3-A
56	Housing.....	3-A
57	Housing cover plug.....	3-A



Ref. No.	Part Name	Group	Ref. No.	Part Name	Group
1	Side gear thrust washer.....	3-B	22	Differential bearing cup	3-B
2	Pinion gear thrust washer	3-B	23	Differential bearing	3-B
3	Pinion gear	3-B	24	Carrier bearing cap (service carrier assy.)	3-B
4	Drive gear bolt nut	3-D	25	Pinion bearing spacer	3-E
5	Drive gear bolt nut lock	3-D	26	Carrier bearing cap screw	3-B
6	Differential case	3-B	27	Pinion rear bearing cup	3-E
7	Pinion gear shaft	3-B	28	Pinion rear bearing	3-E
8	Bearing adjuster	3-B	29	Drive gear and pinion set	3-C
9	Differential bearing cup	3-B	30	Drive gear thrust pad	3-D
10	Differential bearing	3-B	31	Drive gear bolt	3-D
11	Carrier bearing cap (service carrier assembly)	3-B	32	Drive gear thrust pad screw	3-D
12	Carrier assembly	3-B	33	Drive gear thrust pad screw lock nut	3-D
13	Pinion front bearing retainer nut lock screw	3-E	34	Pinion gear shaft lock pin	3-B
14	Pinion front bearing assembly	3-E	35	Side gear thrust washer	3-B
15	Pinion front bearing washer	3-E	36	Differential side gear	3-B
16	Pinion flange	16-E	37	Pinion gear thrust washer	3-B
17	Pinion flange nut	16-E	38	Differential pinion gear	3-B
18	Pinion flange washer	16-E	39	Differential side gear	3-B
19	Pinion oil seal assembly	3-E	40	Bearing adjuster lock pin	3-B
20	Pinion front bearing retainer nut	3-E	41	Bearing adjuster lock pin cotter	3-B
21	Differential bearing adjuster	3-B			

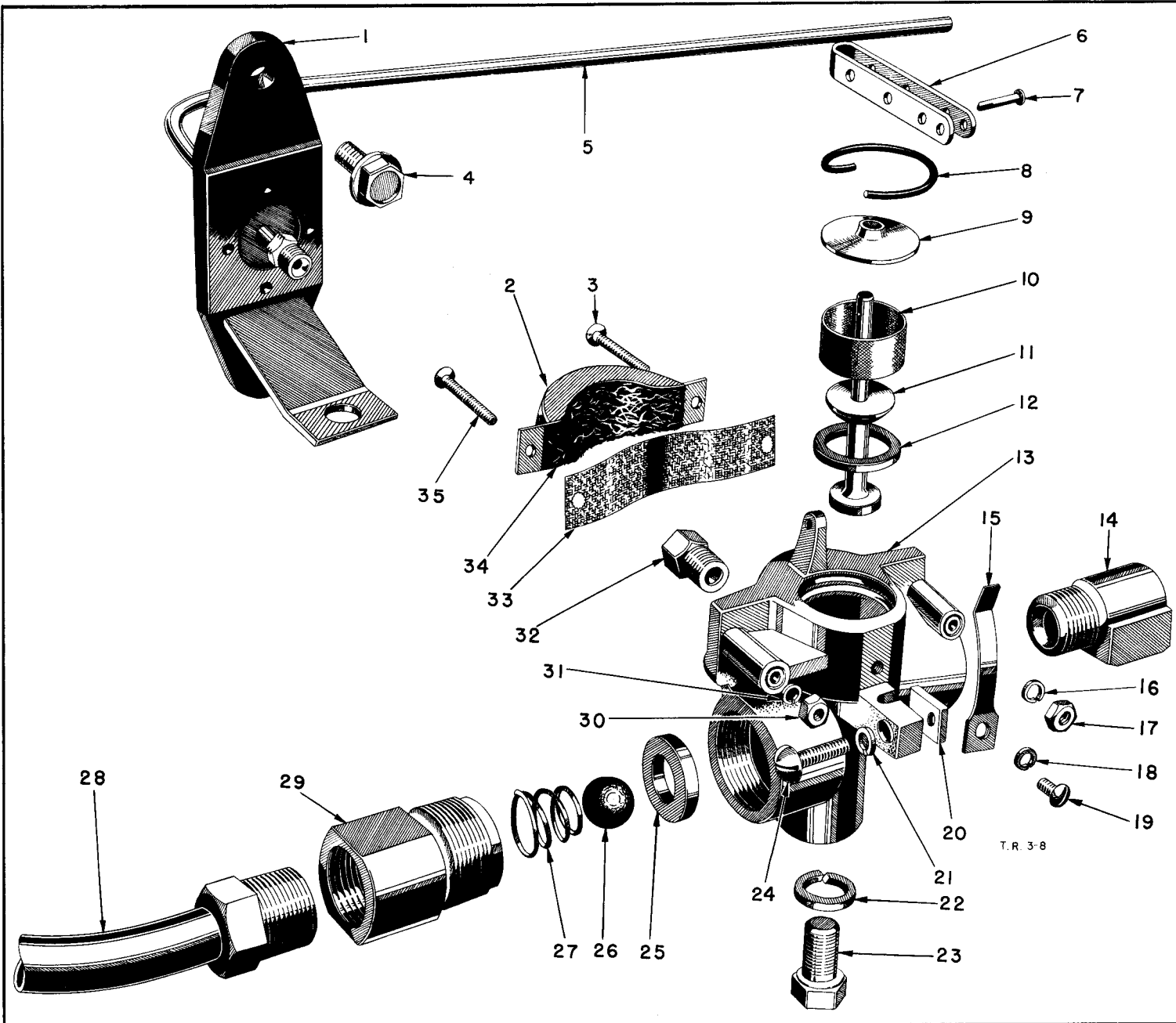


TIMKEN 2 SPEED AXLE (Cont'd)

Plate 9 (Cont'd)

Ref. No.	Part Name	Group	Ref. No.	Part Name	Group
1	Yoke nut pin.....	16-E	39	Spiral pinion bearing cone.....	3-G
2	Drive pinion yoke nut.....	16-E	40	Spiral pinion bearing cup.....	3-G
3	Drive pinion yoke nut washer.....	16-E	41	Spiral pinion bearing cone washer.....	3-G
4	Drive pinion yoke assembly.....	16-E	42	Spiral pinion bearing cone washer screw....	3-G
5	Drive pinion front bearing oil seal assembly.....	3-G	43	Differential bearing cup.....	3-G
6	Drive pinion bearing cone - front.....	3-G	44	High and low speed gear bolt - long.....	3-G
7	Drive pinion bearing cup - front.....	3-G	45	Differential bearing cone.....	3-G
8	Drive pinion carrier assembly.....	3-G	46	High and low speed gear bolt - short.....	3-G
9	Drive pinion carrier plug.....	3-G	47	Drive gear - high speed.....	3-G
10	Drive pinion carrier shims.....	3-G	48	Differential case.....	3-G
11	Drive pinion carrier gasket.....	3-G	49	Drive gear bolt nut.....	3-G
12	Drive pinion front bearing cone spacer.....	3-G	50	Differential side gear thrust washers.....	3-G
13	Drive pinion bearing cup - rear.....	3-G	51	Differential side gear.....	3-G
14	Drive pinion bearing cone - rear.....	3-G	52	Differential pinion thrust washer.....	3-G
15	Pinion - service in set.....	3-G	53	Differential pinion bushing.....	3-G
16	Drive pinion carrier stud.....	3-G	54	Differential pinion.....	3-G
17	Omit		55	Differential spider.....	3-G
18	Omit		56	Drive gear - low speed.....	3-G
19	Omit		57	Differential spiral pinion - low speed.....	3-G
20	Omit		58	Differential carrier cap stud pin.....	3-G
21	Differential carrier assembly.....	3-G	59	Differential carrier cap stud.....	3-G
22	Spiral pinion bearing retainer gasket.....	3-G	60	Differential carrier cap stud nut.....	3-G
23	Spiral pinion bearing retainer shim.....	3-G	61	Differential bearing adjusting nut lock....	3-G
24	Spiral pinion shaft bearing retainer.....	3-G	62	Differential bearing adjusting nut lock screw.....	3-G
25	Differential carrier breather assy.....	3-G	63	Pinion bearing cage stud nut.....	3-G
26	Spiral pinion bearing retainer stud lockwasher.....	3-G	64	Pinion bearing cage stud nut lockwasher.....	3-G
27	Spiral pinion bearing retainer stud nut....	3-G	65	Shift diaphragm assembly.....	3-G
28	Shift fork.....	3-G	66	Shift diaphragm gasket.....	3-G
29	Shift fork nut.....	3-G	67	Shift diaphragm sleeve.....	3-G
30	Shift fork screw.....	3-G	68	Shift diaphragm shim.....	3-G
31	Differential bearing adjusting nut.....	3-G	69	Pinion bearing cage assembly.....	3-G
32	Pinion shift collar lock plunger spring....	3-G	70	Pinion bearing cage shim.....	3-G
33	Pinion shift collar lock plunger spring....	3-G	71	Pinion bearing cage gasket.....	3-G
34	Pinion drive gear key.....	3-G	72	Differential carrier plug.....	3-G
35	Differential pinion shaft.....	3-G	73	Pinion bearing cage stud.....	3-G
36	Pinion shift collar.....	3-G	74	Shift diaphragm sleeve stud.....	3-G
37	Differential spiral pinion - high speed....	3-G	75	Drive pinion carrier stud lockwasher.....	3-G
38	Gear - service in set.....	3-G	76	Drive pinion carrier stud nut.....	3-G

GROUP 3 - REAR AXLE



VACUUM SHIFT CONTROL VALVE (Cont'd)

Plate 10 (Cont'd)

Ref. No.	Part Name	Group	Ref. No.	Part Name	Group
1	Axle control valve bracket.....	3-H	19	Operating lever spring screw.....	3-H
2	Valve air filter cover.....	3-H	20	Cable clamp screw nut.....	3-H
3	Air filter cover screw.....	3-H	21	Cable clamp screw 1/washer.....	3-H
4	Valve bracket screw.....	3-H	22	Valve to bracket screw 1/washer.....	3-H
5	Speedometer adapter to valve tube.....	3-H	23	Valve to bracket screw.....	3-H
6	Valve operating lever.....	3-H	24	Cable clamp screw.....	3-H
7	Operating lever pin.....	3-H	25	Shift valve body ball seat.....	3-H
8	Valve plunger lockwire.....	3-H	26	Shift valve body ball.....	3-H
9	Valve plunger guide.....	3-H	27	Shift valve ball spring.....	3-H
10	Valve plunger screen.....	3-H	28	Manifold to valve tube.....	3-H
11	Shift valve plunger.....	3-H	29	Shift valve bail body.....	3-H
12	Plunger valve seat.....	3-H	30	Filter cover screw nut.....	3-H
13	Valve body (serv. in assy.).....	3-H	31	Filter cover screw 1/washer.....	3-H
14	Manifold to valve tube elbow.....	3-H	32	Adapter tube connection.....	3-H
15	Operating lever spring.....	3-H	33	Valve air filter screen.....	3-H
16	Filter cover screw 1/washer.....	3-H	34	Valve air filter.....	3-H
17	Filter cover screw nut.....	3-H	35	Air filter cover screw.....	3-H
18	Operating spring screw 1/washer.....	3-H			

GROUP 3 - REAR AXLE

GROUP 3-REAR AXLE

PART NAME	PART NO.	MODEL CODES									
		DG AND FO				DH AND FP					
		1	2	3	4	5	6	1	2	4	5

NOTE: Parts referred to "Note 1" were used on the following Serial Nos.:
 Parts referred to "Note 2" were used on all other Serial Nos.:

DG4 - 93003617 to 93003646 incl. F04 - 93503321 to 93503367 incl.
 DG5 - 93251630 to 93251670 incl. F05 - 93751308 to 93751354 incl.
 DG 6- 94002812 to 94002871 incl. F06 - 94502019 to 94502055 incl.

NOTE: Parts referred to "Note 3" were used up to and including:
 Parts referred to "Note 4" were used after the following Serial Nos.:

With 4-speed transmission With 5-speed transmission
 DG-93252045 DG5-93252020
 F05-93751716 F05-93751697

NOTE A: Two types of 4.89 Axle Radios were used in production on Models DG2/F02 which were 8 3/4" and 9 5/8" Hypoid, with the ring Gear Diameter being indicated accordingly. Always be sure to check Ring Gear Diameter before ordering component parts.

GROUP 3-A REAR AXLE HOUSING

Rear Axle Housing

Assembly - - - - -	1264765	1	1
Assembly - - - - -	1194063	..	1	1
Assembly - - - - -	1194470	1	1	1
Assembly - - - - -	1194485	1	1	1	1
Assembly - - - - -	1269415	1
Vent screw - - - - -	925525	1	1	1	1
Vent nipple - - - - -	557049	1	1	1	1	1	1	1
Breather assembly - - - - -	1267562	1
Cap - - - - -	557056	1	1	1	1	1	1	1
Cotter - - - - -	103373	1	1	1	1	1	1	1
Drain plug - 3/8" - - - - -	103867	1	1
Drain plug - - - - -	122104	..	1	1
Drain plug - - - - -	1191694	1
Gasket - - - - -	574780	..	1	1
Gasket - - - - -	56155	1
Dowel - spring seat - - - - -	1191693	2

Housing Cover

Cover - - - - -	1188261	..	1	1
Cover - - - - -	1089489	1	1	1	1	1	1	1
Gasket - - - - -	1188262	..	1	1
Gasket - - - - -	563617	1	1	1	1	1	1	1
Stud - - - - -	1188263	..	12	12
Screw - - - - -	122253	12	12	12	12	12	12	12
Nut - - - - -	120370	..	12	12
Lockwasher - - - - -	120383	..	12	12	12	12	12	..	12	12	12	12
Plug - - - - -	666853	1	1	1	1	1	1	1

GROUP 3-B DIFFERENTIAL

Differential And Carrier Assembly

4.1 to 1 - - - - -	1390232	1	1
4.78 to 1 - - - - -	1390234	1
4.78 to 1 - - - - -	1501540	1
4.1 to 1 - - - - -	1500563	1

Indicates amount used as required.

† Indicates parts included in packages.

GROUP 3-REAR AXLE

PART NAME	PART NO.	MODEL CODES													
		DG AND FO						DH AND FP							
		1	2	3	4	5	6	1	2	4	5	6	7		
GROUP 3-B DIFFERENTIAL (CONT'D)															
Differential And Carrier Assembly (Coht'd)															
4.3 to 1 - - - - -	1260946	..	1	
4.89 to 1 - 8 3/4" - Note A - export - - -	1260948	..	1	
4.89 to 1 - 9 5/8" - Note A - exc. export	1265979	..	1	1	
5.57 to 1 - - - - -	1266304	1	
6.33 to 1 - - - - -	1266312	1	1	1	
6.83 to 1 - - - - -	1266316	1	1	
6.33 to 1 - Note 3 - - - - -	1266312	1	
6.33 to 1 - Note 4 - - - - -	1390724	1	1	
6.83 to 1 - Note 3 - - - - -	1266316	1	
6.83 to 1 - Note 4 - - - - -	1390728	1	1	
6.28 to 1 - - - - -	1266369	1	1	
6.83 to 1 - - - - -	1391046	1	
6.80 to 1 - - - - -	1503022	1	
7.16 to 1 - - - - -	1266372	1	
Differential Carrier And Cap															
Assembly - - - - -	1141543	1	1	
Assembly - - - - -	1327816	1	
Assembly - 8 3/4" - Note A - 4.3 to 1 and 4.89 to 1 - - - - -	1092136	..	1	
Assembly - 9 5/8" - Note A - 4.89 to 1 - -	926239	..	1	1	
Assembly - 4.1 to 1 - - - - -	1092136	1	
Assembly - - - - -	594685	1	1	1	1	1	
Assembly - - - - -	1089492	1	1	
Assembly - - - - -	1191729	1	
Gasket - - - - -	1121939	1	1	
Gasket - - - - -	929877	..	1	1	
Gasket - - - - -	1089494	1	1	1	1	1	1	1	
Gasket - - - - -	1191731	1	
Dowel - - - - -	563656	2	2	2	2	2	2	2	
Bolt - to housing - 1 9/32" - - - - -	1135197	11	11	
Nut - - - - -	189381	11	11	
Washer - - - - -	1116246	11	11	
Stud - to housing - - - - -	929855	..	11	11	
Screw - to housing - short - - - - -	122267	..	1	8	8	8	8	..	1	8	8	8	
Screw - to housing - long - - - - -	122293	4	4	4	4	4	4	4	
Stud - to housing - short - - - - -	1191734	10	
Stud - to housing - long - - - - -	1193256	4	
Nut - - - - -	929857	..	11	11	
Nut - - - - -	120371	14	
Lockwasher - - - - -	120383	..	12	12	12	12	12	..	12	12	12	12	
Lockwasher - - - - -	120384	14	
Screw - bearing cap - - - - -	314948	4	4	
Lockwasher - - - - -	118975	4	4	
Screw - bearing cap - - - - -	856851	..	4	4	
Lockwasher - - - - -	138502	..	4	4	
Stud - bearing cap - 9 5/8" - Note A - -	928288	..	4	4	
Nut - - - - -	121358	..	4	4	
Lockwasher - - - - -	138502	..	4	4	
Screw - bearing cap - - - - -	587528	4	4	4	4	4	
Lockwasher - - - - -	138561	4	4	4	4	4	
Screw - bearing cap - - - - -	588945	4	4	
Lockwasher - - - - -	138566	4	4	
Screw - cap - - - - -	1273912	4	
Lockwire - - - - -	581776	2	
Plug - - - - -	666853	1	1	
Plug - - - - -	103875	..	1	1	
Plug - inspection - - - - -	1390672	1	
Differential Bearing															
Cone - - - - -	698404	2	2	
Cup - - - - -	698403	2	2	
Cone - - - - -	855101	..	2	2	

Indicates amount used as required.

† Indicates parts included in packages.

GROUP 3 - REAR AXLE

PART NAME	PART NO.	MODEL CODES											
		DG AND FO					DH AND FP						
		1	2	3	4	5	6	1	2	4	5	6	7
GROUP 3-B DIFFERENTIAL (CONT'D)													
Differential Bearing (Cont'd)													
Cup - - - - -	691241	..	2	2
Cone - 9 5/8" - Note A - - - - -	926244	..	2	2
Cup - 9 5/8" - Note A - - - - -	926245	..	2	2
Cone - - - - -	587530	2	2	2	2	2
Cup - - - - -	587531	2	2	2	2	2
Cone - - - - -	563567	2	2	..
Cup - - - - -	563568	2	2	..
Cone - - - - -	571823	2
Cup - - - - -	598576	2
Adjuster - - - - -	601864	2	2
Adjuster - - - - -	856852	..	2	2
Adjuster - 9 5/8" - Note A - - - - -	926246	..	2	2
Adjuster - - - - -	595987	2	2	2	2	2
Adjuster - - - - -	563628	2	2	..
Adjust nut - - - - -	1191726	2
Lock - - - - -	308247	2	2
Lock - - - - -	856226	..	2	2
Lock pin - - - - -	587533	2	2	2	2	2
Lock - - - - -	1191727	2
Screw - - - - -	120228	2	2	2	2
Screw - - - - -	922616	4
Cotter - - - - -	103390	2	2	2	2	2	2	2	..
Lockwire - - - - -	586050	2
Puller screw - - - - -	140982	2
Nut - - - - -	120378	2
Differential Case													
Case - - - - -	1142005	1
Case - - - - -	1327882	1
Assembly - case and cap - - - - -	927836	..	1
Case - - - - -	1092112	1
Case - 9 5/8" - Note A - - - - -	928300	..	1	1
Case - - - - -	1266215	1	1	1	1	1
Case - - - - -	1266218	1	1	..
Assembly - case and bearing cone - - - - -	1191702	1
Bolt - long - - - - -	1267771	8
Bolt - short - - - - -	1191724	4
Nut - - - - -	125250	12
Lockwire - - - - -	1264666	1
Pin - - - - -	142520	..	3	3
Pin - 9 5/8" - Note A - - - - -	144563	..	3	3
Cap - case - - - - -	1327883	1
Screw - - - - -	120233	6
Lockwasher - - - - -	668555	6
Differential Side Gear													
Gear - - - - -	1272584	2
Gear - - - - -	1326218	2
Gear - - - - -	922434	..	2	2
Gear - - - - -	1092939	2	2	2	2	2
Gear - - - - -	588946	2	2	..
Gear - - - - -	1191715	2
Thrust washer - - - - -	632587	2	2
Thrust washer - - - - -	922422	..	2	2
Thrust washer - - - - -	1092011	2	2	2	2	2
Thrust washer - - - - -	563558	2	2	..
Thrust washer - - - - -	1191716	2
Differential Pinion													
Gear - - - - -	1272585	2
Gear - - - - -	1326219	4

Indicates amount used as required.

† Indicates parts included in packages.

PART NAME	PART NO.	MODEL CODES										
		DG AND FO					DH AND FP					
		1	2	3	4	5	6	1	2	4	5	6
GROUP 3-B DIFFERENTIAL (CONT'D)												
Differential Pinion (Cont'd)												
Gear - - - - -	855097	..	4	4
Gear - - - - -	1092007	2	2	2	2	2	..
Gear - - - - -	588947	2	2
Assembly - pinion and bushing	1191717	4
Bushing - - - - -	1191719	4
Thrust washer - - - - -	663479	2	4
Thrust washer - - - - -	855098	..	4	4
Thrust washer - - - - -	1092009	2	2	2	2	2	..
Thrust washer - - - - -	588948	2	2
Thrust washer - - - - -	1191720	4
Differential Pinion Shaft												
Shaft - - - - -	1142006	1
Shaft - long - - - - -	663480	1
Shaft - short - - - - -	1092046	2
Shaft - long - - - - -	855099	..	1	1
Shaft - short - - - - -	927839	..	2	2
Shaft - - - - -	1266216	1	1	1	1	1
Shaft - - - - -	1266219	1	1	..
Lock pin - - - - -	141232	1
Lock pin - - - - -	141210	1
Lock pin - - - - -	141211	..	3	3
Lock pin - - - - -	141270	1	1	1	1	1	1	1
Block - shaft - - - - -	1092047	1
Block - shaft - - - - -	927840	..	1	1
Differential Spider												
Spider - - - - -	1191721	1
GROUP 3-C DRIVE GEAR AND PINION												
Drive Gear And Pinion Set												
4.1 to 1 ratio - - - - -	673661	1	1
Consists of:												
Gear - 41 teeth												
Pinion - 10 teeth												
4.78 to 1 ratio - - - - -	1192396	1	1
Consists of:												
Gear - 43 teeth												
Pinion - 9 teeth												
4.1 to 1 ratio - - - - -	1500579	1
Consists of:												
Gear - 41 teeth												
Pinion - 10 teeth												
4.3 to 1 ratio - - - - -	1189865	..	1
Consists of:												
Gear - 43 teeth												
Pinion - 10 teeth												
4.89 to 1 ratio - 8 3/4" - Note A - - - - -	1189867	..	1
Consists of:												
Gear - 44 teeth												
Pinion - 9 teeth												
4.89 to 1 ratio - 9 5/8" - Note A - - - - -	1265599	..	1	1
Consists of:												
Gear - 44 teeth												
Pinion - 9 teeth												
5.57 to 1 ratio - - - - -	1188007	1
Consists of:												
Gear - 39 teeth												
Pinion - 7 teeth												

Indicates amount used as required.

† Indicates parts included in packages.

GROUP 3-REAR AXLE

PART NAME	PART NO.	MODEL CODES											
		DG AND FO					DH AND FP						
		1	2	3	4	5	6	1	2	4	5	6	7
GROUP 3-C DRIVE GEAR AND PINION (CONT'D)													
Drive Gear And Pinion Set (Cont'd)													
6.33 to 1 ratio - - - - -	1188008	1	1	1	1	1
Consists of:													
Gear - 38 teeth													
Pinion - 6 teeth													
6.83 to 1 ratio - - - - -	1188009	1	1	1	1
Consists of:													
Gear - 41 teeth													
Pinion - 6 teeth													
6.28 to 1 ratio - - - - -	1089517	1	1	..
Consists of:													
Gear - 44 teeth													
Pinion - 7 teeth													
6.83 to 1 ratio - - - - -	1188594	1	..
Consists of:													
Gear - 41 teeth													
Pinion - 6 teeth													
6.80 to 1 ratio - - - - -	1392172	1
Consists of:													
Gear - teeth													
Pinion teeth													
7.16 to 1 ratio - - - - -	1089524	1
Consists of:													
Gear - 43 teeth													
Pinion - 6 teeth													
GROUP 3-D DRIVE GEAR													
Drive Gear - See Matched Set - Group 3-C													
Bolt - - - - -	663481	10	12	10	12
Nut - fibre lock - - - - -	189381	10	10
Nut - plain hex. - - - - -	120369	5	12	5	12
Lock - - - - -	663482	5	5
Lock - - - - -	601859	..	6	6
Thrust screw - - - - -	856868	..	1	1
Pad - - - - -	856870	..	1	1
Check nut - - - - -	856869	..	1	1
Screw - - - - -	567223	12	12	12	12	12
Screw - - - - -	588950	12	12	..
Nut - - - - -	120370	12	12	12	12	12
Nut lock - - - - -	587537	6	6	6	6	6	6	6	..
Thrust pad - - - - -	587538	1	1	1	1	1	1	1	..
Screw - - - - -	587539	1	1	1	1	1	1	1	..
Nut - - - - -	124954	1	1	1	1	1	1	1	..
Lockwasher - - - - -	131047	1	1	1	1	1	1	1	..
Thrust block - - - - -	1191743	1
Screw - - - - -	1191744	1
Nut - - - - -	114499	1
Rivet - - - - -	1191782	12
GROUP 3-E DRIVE PINION													
Drive Pinion - See Matched Set - Group 3-C													
Drive Pinion Flange - See Propeller Shaft - Group 16													
Drive Pinion Bearing													
Cone - front - - - - -	698414	1
Cone - front - - - - -	1401808	1
Cup - - - - -	698413	1
Cup - - - - -	1401810	1
Cone - rear - - - - -	698415	1
Cone - rear - - - - -	1401809	1

Indicates amount used as required.

† Indicates parts included in packages.

GROUP 3-REAR AXLE

PART NAME	PART NO.	MODEL CODES										
		DG AND FO					DH AND FP					
		1	2	3	4	5	6	1	2	4	5	6
GROUP 3-E DRIVE PINION (CONT'D)												
Drive Pinion Bearing (Cont'd)												
Cup - - - - -	698413	1
Cup - - - - -	1401810	1
Cone - front - - - - -	856859	..	1	1
Cup - - - - -	619395	..	1	1
Cone - rear - - - - -	856861	..	1	1
Cup - - - - -	688474	..	1	1
Assembly - front 9 5/8" - Note A - - - - -	926261	..	1	1
Cone - rear - 9 5/8" - Note A - - - - -	926264	..	1	1
Cup - 9 5/8" - Note A - - - - -	563572	..	1	1
Assembly - front - - - - -	587545	1	1	1	1	1	1	1
Cone - rear - - - - -	588887	1	1	1	1	1	1	1
Cup - - - - -	587551	1	1	1	1	1	1	1
Nut - front bearing retainer - 9 5/8" Note A	587557	..	1	1	1	1	1	..	1	1	1	1
Lock screw - - - - -	102883	..	1	1	1	1	1	..	1	1	1	1
Assembly - front - - - - -	1191872	1
Stud - - - - -	1192906	8
Nut - - - - -	120370	8
Lockwasher - - - - -	120383	8
Cone - front - outer - - - - -	1191867	1
Cup - - - - -	1191868	1
Cone - front - inner - - - - -	1191748	1
Cup - - - - -	1191868	1
Cover assembly - - - - -	1191745	1
Gasket - - - - -	1191747	1
Assembly - rear - - - - -	572556	1
Lock ring - - - - -	572557	1
Oil slinger - front bearing - - - - -	1141545	1	1
Oil slinger - front bearing - - - - -	866847	..	1	1
Oil baffle - rear bearing - - - - -	865671	..	1	1
Drive Pinion Bearing Spacers-Shims-Washers.												
Spacer - pinion bearing - - - - -	663483	1	1
Spacer - 1790 - - - - -	857488	..	*	*
Spacer - 1810 - - - - -	857489	..	*	*
Spacer - 1830 - - - - -	857490	..	*	*
Spacer - 1850 - - - - -	857491	..	*	*
Spacer - 1870 - - - - -	857492	..	*	*
Spacer - 1890 - - - - -	863477	..	*	*
Spacer - 1910 - - - - -	863478	..	*	*
Spacer - 1930 - - - - -	863479	..	*	*
Spacer - 1750 - - - - -	588896	*	*	*	*	*	*	*
Spacer - 1770 - - - - -	588897	*	*	*	*	*	*	*
Spacer - 1790 - - - - -	588898	*	*	*	*	*	*	*
Spacer - 1810 - - - - -	588899	*	*	*	*	*	*	*
Spacer - 1830 - - - - -	587552	*	*	*	*	*	*	*
Spacer - 1850 - - - - -	587553	*	*	*	*	*	*	*
Spacer - 1870 - - - - -	587554	*	*	*	*	*	*	*
Spacer - 1890 - - - - -	587555	*	*	*	*	*	*	*
Spacer - 1910 - - - - -	587556	*	*	*	*	*	*	*
Spacer - .219 - - - - -	1194372	*
Spacer - .220 - - - - -	1194373	*
Spacer - .221 - - - - -	1194374	*
Spacer - .222 - - - - -	1194375	*
Spacer - .223 - - - - -	1194376	*
Spacer - .224 - - - - -	1194377	1194377	..	*
Spacer - .230 - - - - -	1194378	*
Spacer - .236 - - - - -	1194379	*
Spacer - .242 - - - - -	1194380	*
Spacer - .248 - - - - -	1194381	1194381	..	*
Spacer - .254 - - - - -	1194382	*

Indicates amount used as required.

† Indicates parts included in packages.

GROUP 3-REAR AXLE

PART NAME	PART NO.	MODEL CODES											
		DG AND FO					DH AND FP						
		1	2	3	4	5	6	1	2	4	5	6	7
GROUP 3-E DRIVE PINION (CONT'D)													
Drive Pinion Bearing Spacers-Shims-Washers (Cont'd)													
Washer - front bearing - - - - -	856871	..	1	1
Washer - front bearing - - - - -	587548	1	1	1	1	1	1	1	..
Washer - rear bearing - .088 - - - - -	665237	1	1
Washer - rear bearing - .090 - - - - -	670109	1	1
Washer - rear bearing - .092 - - - - -	670110	1	1
Washer - rear bearing - .094 - - - - -	670111	1	1
Shim - front bearing - .010 - - - - -	688739	*	*
Shim - front bearing - .012 - - - - -	303856	*	*
Shim - front bearing - .015 - - - - -	303857	*	*
Shim - front bearing - .018 - - - - -	688741	*	*
Shim - .003 - - - - -	1191779	*
Shim - .005 - - - - -	1191780	*
Shim - .010 - - - - -	1191781	*
Drive Pinion Oil Seal													
Assembly - - - - -	663602	1	1
Assembly - - - - -	1271105	..	1	1
Assembly - 9 5/8" - Note A - - - - -	928114	..	1	1
Assembly - - - - -	587541	1	1	1	1	1	1	1	..
Assembly - - - - -	1191888	1
GROUP 3-F REAR AXLE SHAFT													
Axle Shaft													
Shaft - - - - -	1193503	2
Shaft - - - - -	1393887	2
Shaft - - - - -	1194067	..	2	2
Shaft - - - - -	1194483	2	2	2
Shaft - - - - -	1194486	2	2	2	2	2
Shaft - - - - -	1269394	2
Gasket - - - - -	915565	..	2	2
Gasket - - - - -	565911	2	2	2	2	2	2	2	2
Stud - - - - -	916414	..	12	12
Stud - - - - -	912435	16	16	16	16	16	16	16	16
Nut - - - - -	120369	..	12	12
Nut - - - - -	660377	16	16	16	16	16	16	16	16
Lockwasher - - - - -	120382	..	12	12
Lockwasher - - - - -	120383	16	16	16	16	16	16	16	16
Nut - - - - -	53553	2	2
Washer - - - - -	50652	2	2
Cotter - - - - -	103399	2	2
Thrust block - - - - -	651402	1	1
Spacer - - - - -	663607	2	2
Key - - - - -	1118149	2	2
Axle Shaft Bearings													
NOTE: For parts not listed, see Group 22 - Wheels.													
Cone - - - - -	1188716	2	2
Cup - - - - -	1188715	2	2
Shim - .005 - - - - -	1137203	*	*
Shim - .010 - - - - -	681319	*	*
Shim - .012 - - - - -	681320	*	*
Shim - .015 - - - - -	681321	*	*
Shim - .030 - - - - -	681322	*	*
Oil Seal													
Assembly - inner - - - - -	1139897	2	2
Assembly - outer - - - - -	1117814	2	2

Indicates amount used as required.

† Indicates parts included in packages.

GROUP 3 - REAR AXLE

PART NAME	PART NO.	MODEL CODES											
		DG AND FO					DH AND FP						
		1	2	3	4	5	6	1	2	4	5	6	7
GROUP 3-G TIMKEN TWO - SPEED AXLE													
<p>SPECIAL NOTE: Two different timken axles are used on the DG6/FO6 and are identified by the type of axle housing each uses. When ordering or specifying parts for these axles use chart below.</p>													
Rear Axle Housing													
Assembly - with round axle housing (Tube)	1194485	1	1	1	1	1	1	..
Assembly - with square axle housing (Tube)	1263050	1
Assembly - - - - -	1269415	1

TIMKEN AXLE COMPONENT PARTS	Qty.	1194485 Assy. (Round Housing)	1263050 Assy. (Square Housing)	1269415 Assy.
Breather assembly (3/8" - 24 x 1 21/32")	1	-----	1267562	1267562
Vent nipple - (3/4" long) - - - - -	1	557049	557049	-----
Vent nipple - (1 1/2" long) - - - - -	1	1392890	-----	-----
Cap - - - - -	1	557056	557056	-----
Cotter - - - - -	1	103373	103373	-----
Drain plug - - - - -	1	-----	1191694	1191694
Gasket - - - - -	1	-----	56155	56155
Dowel - spring seat - - - - -	1	-----	1191693	1191693
Housing Cover				
Cover - - - - -	1	1390987	-----	-----
Gasket - - - - -	1	563617	-----	-----
Screw - - - - -	1	122253	-----	-----
Lockwasher - - - - -	1	120383	-----	-----
Differential And Carrier				
Assembly-6.13 and 8.10 ratio on DG4/DH4/ FO4/FP4 - - - - -	1	1264322	-----	-----
Assembly-6.13 and 8.10 ratio on DG5/FO5- Note 3 - - - - -	1	1264322	-----	-----
Assembly-6.13 and 8.10 ratio on DG5/FO5- Note 4 and DH5/DG6/DH6/FP5/ FO6/FP6 - - - - -	1	1273141	-----	-----
Assembly - 6.16 and 8.10 ratio - - - - -	1	-----	-----	1503025
Assembly-6.70 and 8.86 ratio on DG5/FO5- Note 3 - - - - -	1	1264324	-----	-----
Assembly-6.70 and 8.86 ratio on DG5/FO5- Note 4 and DH5/DG6/FP5/FO6	1	1264323	-----	-----
Assembly-6.6 and 8.8 ratio on DG6/FO6 -	1	-----	1263935	1263935
Gasket - - - - -	1	1089494	1191731	1191731
Screw - to housing - long - - - - -	4	122273	-----	-----
Screw - to housing - short - - - - -	4	122253	-----	-----
Stud - - - - -	4	929855	-----	-----
Nut - - - - -	4	929857	-----	-----
Dowel - locking - - - - -	4	1390358	-----	-----
Stud - long - - - - -	4	-----	1193256	1193256
Stud - short - - - - -	10	-----	1191734	1191734
Pin - - - - -	4	-----	1192897	1192897
Nut - - - - -	14	-----	120371	120371
Lockwasher - - - - -	*	120383	120384	120384
Lockwasher - - - - -	4	-----	135629	135629
Puller screw - - - - -	2	-----	140982	140982
Nut - - - - -	2	-----	120378	120378
Plug - oil level - - - - -	1	113181	106642	-----

Indicates amount used as required.

† Indicates parts included in packages.

GROUP 3-REAR AXLE

TIMKEN AXLE COMPONENT PARTS (CONT'D)	Qty.	1194485 Assy. (Round Housing)	1263050 Assy. (Square Housing)	1269415 Assy.
Differential Carrier And Cap				
Assembly - - - - -	1	1264652	-----	-----
Assembly - - - - -	1	-----	1263736	1263736
Screw - cap - - - - -	4	1270468	-----	-----
Stud - cap - - - - -	4	-----	1273912	1273912
Nut - - - - -	4	-----	125384	125384
Washer - - - - -	4	-----	1191736	1191736
Lockwire - - - - -	2	1267952	581776	581776
Differential Case				
Assembly - - - - -	1	1264659	1192101	1192101
Differential Side Gear				
Gear - - - - -	2	1264617	1191715	1191715
Thrust washer - - - - -	2	1264669	1191716	1191716
Differential Pinion Gear				
Assembly - - - - -	4	1264670	1191717	1191717
Bushing - - - - -	4	1264671	1191719	1191719
Thrust washer - - - - -	4	1264673	1191720	1191720
Differential Pinion Spider				
Spider - - - - -	1	1264674	1191721	1191721
Differential Bearing				
Cone - - - - -	2	1264668	571823	571823
Cup - - - - -	2	563568	598576	598576
Nut - adjust - - - - -	2	918318	1191726	1191726
Lock - - - - -	2	1264675	1191727	1191727
Screw - - - - -	2	922616	922616	922616
Lockwire - - - - -	2	-----	530102	530102
Differential Spiral Pinion				
Pinion - high speed - - - - -	1	1264679	1190702	1190702
Pinion - low speed - - - - -	1	1264680	1190701	1190701
Shift - collar - - - - -	1	1264681	1190705	1190705
Lock plunger - - - - -	3	1190706	1190706	1190706
Plunger spring - - - - -	3	1190707	1190707	1190707
Differential Spiral Pinion Shaft				
Shaft - - - - -	1	1264678	1190704	1190704
Bearing - right - - - - -	1	566600	1192129	1192129
Bearing - left - - - - -	1	1264685	1192126	1192126
Cup - - - - -	2	563572	1192127	1192127
Washer - - - - -	2	566587	566587	566587
Screw - - - - -	4	1192131	1192131	1192131
Lockwire - - - - -	2	586050	530102	530102
Key - drive gear - - - - -	1	1192144	1192144	1192144
Spiral Pinion Shaft Bearing Retainer				
Retainer and baffle assembly - - - - -	1	-----	1263862	1263862
Retainer cap - - - - -	1	1264690	-----	-----
Screw - - - - -	6	1264686	1268706	1268706
Lockwasher - - - - -	6	120384	120384	120384
Shim .003 - - - - -	*	1264692	1192133	1192133
Shim .005 - - - - -	*	1264693	1192134	1192134
Shim .010 - 2 of 1264693 - - - - -	*	1264693	-----	-----
Shim .030 - - - - -	*	-----	1192135	1192135

Indicates amount used as required.

† Indicates parts included in packages.

GROUP 3-REAR AXLE

TIMKEN AXLE COMPONENT PARTS (CONT'D)	Qty.	1194485 Assy. (Round Housing)	1263050 Assy. (Square Housing)	1269415 Assy.
Spiral Pinion Shaft Bearing Cage				
Assembly - - - - -	1	1264682	1192123	1192123
Screw - - - - -	6	1264686	1268706	1268706
Lockwasher - - - - -	6	120384	120384	120384
Shim .003 - - - - -	*	1264687	1192138	1192138
Shim .005 - - - - -	*	1264688	1192139	1192139
Shim .010 - 2 of 1264688 - - - - -	*	1264688	-----	-----
Shim .030 - - - - -	*	-----	1192141	1192141
Differential Drive Gear				
Gear - high speed - - - - -	1	1264662	1190709	1190709
Gear - low speed - - - - -	1	1264663	1190708	1190708
Bolt - long - - - - -	8	1264664	1190710	1190710
Bolt - short - - - - -	8	1264665	-----	-----
Bolt - high speed gear - - - - -	4	-----	1192104	1192104
Bolt - low speed gear - - - - -	4	-----	1192907	1192907
Nut - - - - -	16	128025	125384	125384
Lockwire - long - - - - -	2	1264666	-----	-----
Lockwire - short - - - - -	1	581776	-----	-----
Lockwire - - - - -	8	-----	586050	586050
Drive Gear And Pinion Set				
Assembly - 6.13 and 8.10 - - - - -	1	1264811	-----	-----
Consists of:				
Gear - 23 teeth				
Pinion - 8 teeth				
Assembly - 6.16 and 8.19 - - - - -	1	-----	-----	1501181
Consists of:				
Gear -				
Pinion -				
Assembly - 6.70 and 8.86 - - - - -	1	1264700	-----	-----
Consists of:				
Gear - 22 teeth				
Pinion - 7 teeth				
Assembly - 6.6 and 8.8 - - - - -	1	-----	1195382	1195382
Consists of:				
Gear - 25 teeth				
Pinion - 8 teeth				
Axle Drive Pinion Bearing				
Cone - front - - - - -	1	567226	668520	668520
Cup - - - - -	1	619395	619395	619395
Cone - rear - - - - -	1	588887	1263857	1263857
Cup - - - - -	1	587551	1193605	1193605
Oil seal - front bearing - - - - -	1	1264708	1192109	1192109
Drive Pinion Front Bearing Spacer				
Spacer - .157 - - - - -	*	1264753	-----	-----
Spacer - .159 - - - - -	*	1264754	-----	-----
Spacer - .163 - - - - -	*	1264755	-----	-----
Spacer - .167 - - - - -	*	1264756	-----	-----
Spacer - .171 - - - - -	*	1264757	-----	-----
Spacer - .175 - - - - -	*	1265128	-----	-----
Spacer - .177 - - - - -	*	1265129	-----	-----
Spacer - .187 - - - - -	*	-----	1193783	1193783
Spacer - .189 - - - - -	*	-----	1193782	1193782
Spacer - .193 - - - - -	*	-----	1193781	1193781
Spacer - .197 - - - - -	*	-----	1193780	1193780
Spacer - .201 - - - - -	*	-----	1193779	1193779
Spacer - .205 - - - - -	*	-----	1193778	1193778
Spacer - .207 - - - - -	*	-----	1193777	1193777
Spacer - .209 - - - - -	*	-----	1195978	1195978

GROUP 3-REAR AXLE

TIMKEN AXLE COMPONENT PARTS (CONT'D)		1194485 Assy. (Round Housing)	1263050 Assy. (Square Housing)	1269415 Assy.
Drive Pinion Carrier And Bearing Cup				
Assembly - - - - -	1	1264702	1192113	1192113
Screw - - - - -	6	1267104	1267104	1267104
Lockwasher - - - - -	6	120898	120898	120898
Plug - - - - -	1	103868	103868	103868
Shim - .003 - - - - -	*	1264705	1192115	1192115
Shim - .005 - - - - -	*	1264706	1192116	1192116
Shim - .030 - - - - -	*	1264707	1192117	1192117
Axle Shift Fork				
Fork - - - - -	1	1264699	1190700	1190700
Screw - - - - -	1	1190711	1190711	1190711
Locknut - - - - -	1	120370	120370	120370
Axle Drive Shaft				
Shaft - - - - -	2	1194486	1191795	1269394
Gasket - - - - -	4	565911	1191796	1191796
Stud - - - - -	16	912435	1090620	1090620
Nut - - - - -	16	660377	120371	120371
Lockwasher - - - - -	16	120383	135629	135629
Dowel - - - - -	16	-----	1191797	1191797
GROUP 3-H VACUUM SHIFT CONTROLS				
Axle Shift Diaphragm				
Assembly - Note 1 - - - - -	1	1263594	-----	-----
Assembly - Note 2 - - - - -	1	1264697	-----	-----
Assembly - - - - -	1	-----	1263594	1263594
Diaphragm - - - - -	1	1195022	1195022	1195022
Gasket - - - - -	1	1190693	1190693	1190693
Stud - Note 1 - - - - -	2	1190699	-----	-----
Stud - Note 2 - - - - -	2	1264698	-----	-----
Stud - - - - -	2	-----	1190699	1190699
Nut - - - - -	2	120369	120369	120369
Lockwasher - - - - -	2	120382	120382	120382
Plug - button - - - - -	1	1263596	1263596	1263596
Shim - .003 - - - - -	*	1190694	1190694	1190694
Shim - .005 - - - - -	*	1190695	1190695	1190695
Shim - .010 - - - - -	*	1190696	1190696	1190696
Shim - .030 - - - - -	*	1263864	1263864	1263864
Axle Shift Diaphragm Push Rod				
Assembly - Note 1 - - - - -	1	1263598	-----	-----
Assembly - Note 2 - - - - -	1	1264619	-----	-----
Assembly - - - - -	1	-----	1263598	1263598
Push rod - Note 1 - - - - -	1	1195020	-----	-----
Push rod - Note 2 - - - - -	1	1265053	-----	-----
Push rod - - - - -	1	-----	1195020	1195020
Locknut - - - - -	1	1263597	1263597	1263597
Push rod seal assembly - front - - - - -	1	1195133	1195133	1195133
Push rod bolt assembly - - - - -	1	1263867	1263867	1263867
Snap ring - - - - -	1	1263866	1263866	1263866
Axle Shift Diaphragm Sleeve				
Sleeve - Note 1 - - - - -	1	1190697	-----	-----
Sleeve - Note 2 - - - - -	1	1264696	-----	-----
Sleeve - - - - -	1	-----	1190697	1190697
Seal - - - - -	1	1263689	1263689	1263689
Axle Shift Diaphragm Shell				
Plug - Note 1 - - - - -	1	143932	-----	-----
Plug - - - - -	1	-----	143932	143932

GROUP 3-REAR AXLE

PART NAME	PART NO.	MODEL CODES													
		DG AND FO						DH AND FP							
		1	2	3	4	5	6	1	2	4	5	6	7		
GROUP 3-H VACUUM SHIFT CONTROLS															
Axle Vacuum Shift Hose															
Assembly - - - - -	1192392	1	1	1	1	1	1	1	1	1
Clamp - - - - -	1188056	1	1	1	1	1	1	1	1	1
Nut - - - - -	120368	1	1	1	1	1	1	1	1	1
Lockwasher - - - - -	120214	1	1	1	1	1	1	1	1	1
Axle Vacuum Shift Control Tubes - Rear															
Assembly - 128" W.B. - - - - -	1196209	1	1	1	1	..	1	1	1	1
Assembly - 140" W.B. - - - - -	1196210	1
Assembly - 152" W.B. - - - - -	1196211	1	1	1	1	1	1	1	1	1
Assembly - 170" W.B. - - - - -	1196212	1	1	1	1	1	1	1
Assembly - 192" W.B. - - - - -	1196319	1	1
Assembly - 212" W.B. - - - - -	1196213	1
Nut - - - - -	137401	2	2	2	2	2	2	2	2	2
Clip - - - - -	1263079	*	*	*	*	*	*	*	*	*
Gasket - - - - -	1193156	*	*	*	*	*	*	*	*	*
Drive Pin (5/16" dia.) - - - - -	1263915	*	*	*	*	*	*	*	*	*
Axle Vacuum Shift Tube - Front															
Assembly - - - - -	1260719	1	1	1	1	1	1	1	1	1
Nut - - - - -	137401	4	4	4	4	4	4	4	4	4
Union - - - - -	137417	1	1	1	1	1	1	1	1	1
Gasket - - - - -	1193156	*	*	*	*	*	*	*	*	*
Elbow - at control valve - - - - -	137425	1	1	1	1	1	1	1	1	1
Manifold To Control Valve Tube															
Assembly - - - - -	1196717	1	1	1	1	1	1	1	1	1
Nut - - - - -	137401	2	2	2	2	2	2	2	2	2
Gasket - - - - -	1193156	2	2	2	2	2	2	2	2	2
Axle Vacuum Shift Valve															
Assembly - - - - -	1188059	1	1	1	1	1	1	1	1	1
Bracket - - - - -	1188058	1	1	1	1	1	1	1	1	1
Screw - bracket to dash - - - - -	917801	2	2	2	2	2	2	2	2	2
Screw - valve to bracket - - - - -	123520	1	1	1	1	1	1	1	1	1
Lockwasher - - - - -	120382	1	1	1	1	1	1	1	1	1
Bolt - R.H.D. - - - - -	121661	1	1	1	1	1	1	1	1	1
Plunger - - - - -	1191660	1	1	1	1	1	1	1	1	1
Screen - - - - -	1191661	1	1	1	1	1	1	1	1	1
Guide - - - - -	1191662	1	1	1	1	1	1	1	1	1
Lockwire - - - - -	1191663	1	1	1	1	1	1	1	1	1
Seat - plunger valve - - - - -	1191664	1	1	1	1	1	1	1	1	1
Ball - check valve - - - - -	1191666	1	1	1	1	1	1	1	1	1
Body - check valve ball - - - - -	1191665	1	1	1	1	1	1	1	1	1
Spring - check valve ball - - - - -	1191667	1	1	1	1	1	1	1	1	1
Cap ball spring - - - - -	1262002	1	1	1	1	1	1	1	1	1
Seat - check valve ball - - - - -	1191668	1	1	1	1	1	1	1	1	1
Lever - operating - - - - -	1191669	1	1	1	1	1	1	1	1	1
Pin - slotted - - - - -	1191670	1	1	1	1	1	1	1	1	1
Cotter - - - - -	103373	3	3	3	3	3	3	3	3	3
Spring - operating lever - - - - -	1191671	1	1	1	1	1	1	1	1	1
Screw - - - - -	131899	1	1	1	1	1	1	1	1	1
Lockwasher - - - - -	131044	1	1	1	1	1	1	1	1	1
Air filter - - - - -	1191672	1	1	1	1	1	1	1	1	1
Cover - - - - -	1191673	1	1	1	1	1	1	1	1	1
Screen - - - - -	1191674	1	1	1	1	1	1	1	1	1
Screw - - - - -	132723	2	2	2	2	2	2	2	2	2
Nut - - - - -	134530	2	2	2	2	2	2	2	2	2
Lockwasher - - - - -	131044	2	2	2	2	2	2	2	2	2

Indicates amount used as required.

† Indicates parts included in packages.

GROUP 3-REAR AXLE

PART NAME	PART NO.	MODEL CODES											
		DG AND FO					DH AND FP						
		1	2	3	4	5	6	1	2	4	5	6	7
GROUP 3-H VACUUM SHIFT CONTROLS (CONT'D)													
Axle Vacuum Shift Cable													
Assembly - - - - -	1262101	1	1	1	1	1	1	1
Nut - mounting - - - - -	120369	1	1	1	1	1	1	1
Lockwasher - - - - -	120382	1	1	1	1	1	1	1
Cotter - - - - -	103373	1	1	1	1	1	1	1
Bracket - - - - -	1191684	2	2	2	2	2	2	2
Screw - - - - -	121661	1	1	1	1	1	1	1
Nut - - - - -	120368	1	1	1	1	1	1	1
Lockwasher - - - - -	120214	1	1	1	1	1	1	1
Clip - - - - -	860174	1	1	1	1	1	1	1
Clip - - - - -	51563	1	1	1	1	1	1	1
Bolt - - - - -	123461	1	1	1	1	1	1	1
Nut - - - - -	120367	1	1	1	1	1	1	1
Lockwasher - - - - -	120380	1	1	1	1	1	1	1
Clamp screw - - - - -	120910	1	1	1	1	1	1	1
Nut - - - - -	1191685	1	1	1	1	1	1	1
Lockwasher - - - - -	120217	1	1	1	1	1	1	1
Speedometer Drive Adapter													
Assembly - - - - -	1273585	1	1	1	1	1	1	1
Bushing - - - - -	1273587	1	1	1	1	1	1	1
Key - - - - -	921052	1	1	1	1	1	1	1
Arm assembly - - - - -	588156	1	1	1	1	1	1	1
Adapter Diaphragm And Bracket													
Assembly - - - - -	1188060	1	1	1	1	1	1	1
Screw - - - - -	120221	2	2	2	2	2	2	2
Lockwasher - - - - -	120217	2	2	2	2	2	2	2
Diaphragm and rod - - - - -	1191676	1	1	1	1	1	1	1
Spring pull back rod - - - - -	1191678	1	1	1	1	1	1	1
Mounting bracket - - - - -	1191677	1	1	1	1	1	1	1
Screw - diaphragm to bracket - - -	115136	4	4	4	4	4	4	4
Adapter To Control Valve Tube													
Assembly - - - - -	861557	1	1	1	1	1	1	1
Nut - - - - -	137396	2	2	2	2	2	2	2
Connector - - - - -	1191679	1	1	1	1	1	1	1
Connector - - - - -	670463	1	1	1	1	1	1	1

NOTES:

Indicates amount used as required.

‡ Indicates parts included in packages.