

Ref. No.	Part Name	Group
1	Front wheel brake shoe anchor bolt - oil washer and retainer.....	5-D
2	Front wheel brake support screw and lockwasher.....	5-C
3	Front wheel brake support.....	5-C
4	Front wheel cylinder assembly.....	5-L
5	King pin oil seal plug.....	2-B
6	King pin.....	2-B
7	King pin or steering knuckle bushing.....	2-C
8	Steering knuckle.....	2-C
9	King pin or steering knuckle bushing.....	2-C
10	Tie rod end nut.....	2-E
11	Tie rod end nut cotter.....	2-E
12	Steering knuckle arm.....	2-D
13	Tie rod end dust cover.....	2-E
14	Tie rod end - service in package.....	2-E

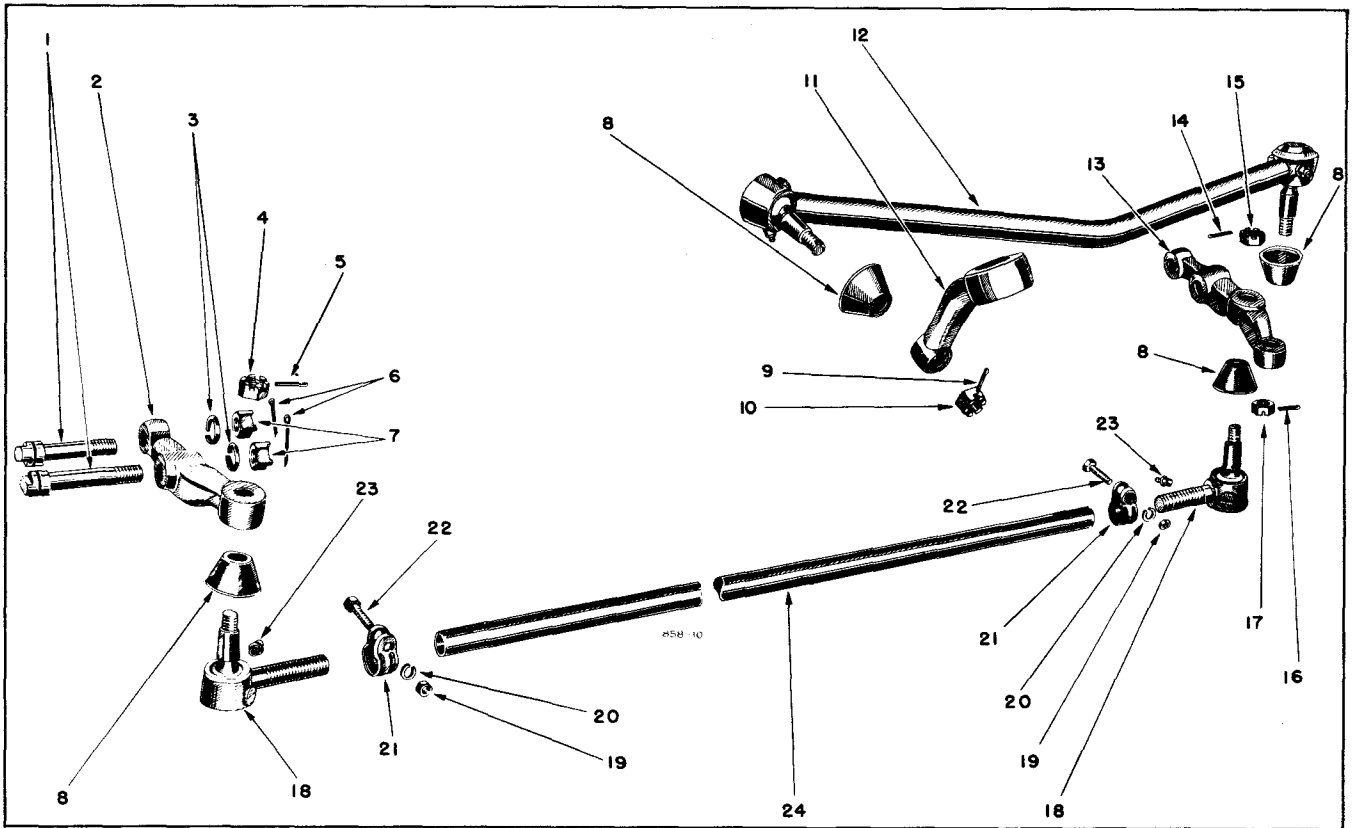
Ref. No.	Part Name	Group
15	Tie rod end grease nipple.....	2-E
16	Tie rod end clamp bolt.....	2-E
17	Tie rod end clamp.....	2-E
18	Tie rod end clamp bolt lockwasher.....	2-E
19	Tie rod end clamp bolt nut.....	2-E
20	Tie rod.....	2-E
21	Steering knuckle stop screw nut.....	2-C
22	Steering knuckle stop screw.....	2-C
23	Front axle I-Beam.....	2-A
24	Steering knuckle bearing shim.....	2-C
25	Steering knuckle bearing.....	2-C
26	King pin set screw spring washer.....	2-B
27	King pin set screw lock.....	2-B
28	King pin set screw.....	2-B

MODELS

1/2 and 1 Ton

TIE ROD AND DRAG LINK

Plate 3



Ref. No.	Part Name	Group
1	Front wheel brake shoe anchor bolt.....	5-D
2	Steering knuckle arm.....	2-D
3	Front wheel brake shoe anchor bolt lock-washer.....	5-D
4	Tie rod end nut.....	2-E
5	Tie rod end nut cotter.....	2-E
6	Front wheel brake shoe anchor bolt nut cotter.....	5-D
7	Front wheel brake shoe anchor bolt nut....	5-D
8	Dust cover.....	2-E
9	Drag link end nut cotter.....	2-F
10	Drag link end nut.....	2-F
11	Steering gear arm.....	19-D

Ref. No.	Part Name	Group
12	Drag link assembly.....	2-F
13	Steering knuckle arm.....	2-D
14	Drag link end nut cotter.....	2-F
15	Drag link end nut.....	2-F
16	Tie rod end nut cotter.....	2-E
17	Tie rod end nut.....	2-E
18	Tie rod end - service in package.....	2-E
19	Tie rod end clamp bolt nut.....	2-E
20	Tie rod end clamp bolt nut lockwasher....	2-E
21	Tie rod end clamp.....	2-E
22	Tie rod end clamp bolt.....	2-E
23	Tie rod end grease nipple.....	2-E
24	Tie rod.....	2-E

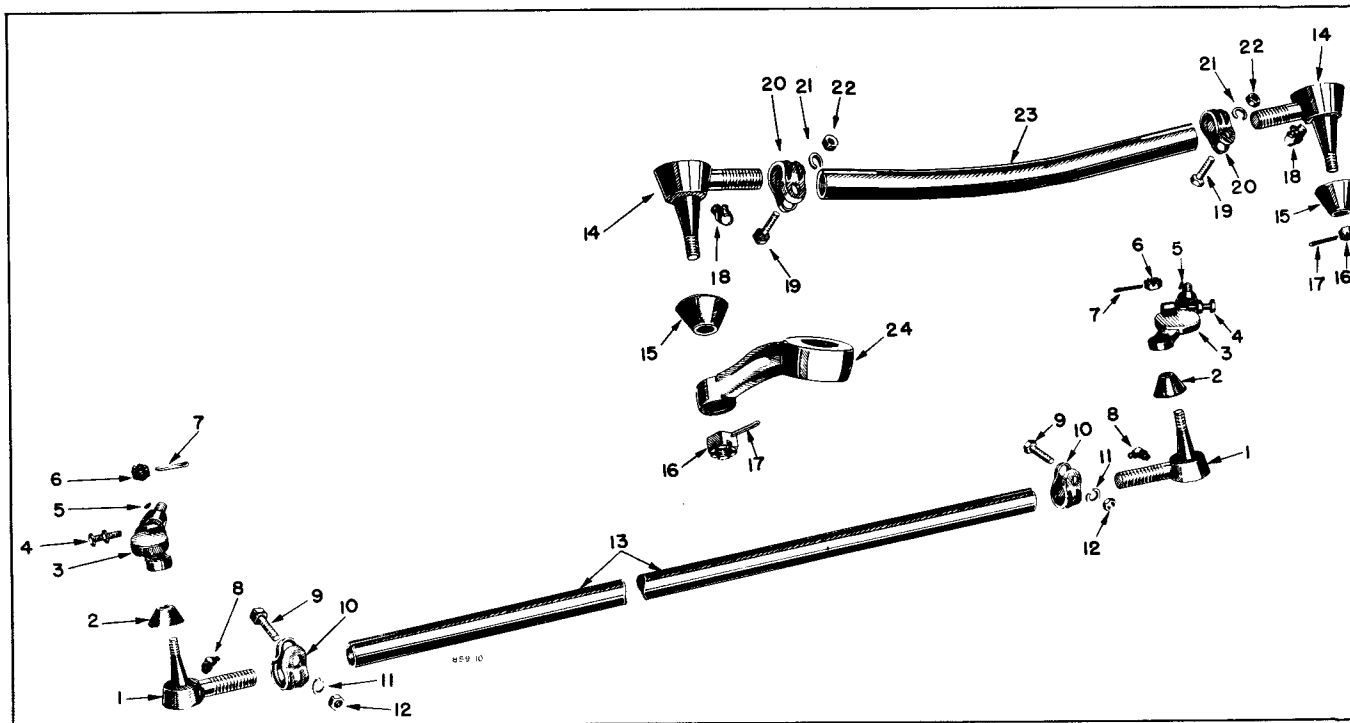
NOTES:

MODELS

TIE ROD AND DRAG LINK

Except 1/2 and 1 Ton

Plate 4



Ref. No.	Part Name	Group	Ref. No.	Part Name	Group
1	Tie rod end - service in package.....	2-E	13	Tie rod.....	2-E
2	Tie rod end dust cover.....	2-E	14	Drag link end - service in package.....	2-F
3	Steering knuckle arm.....	2-D	15	Drag link end dust cover.....	2-F
4	Steering knuckle arm stop screw.....	2-D	16	Drag link end nut.....	2-F
5	Steering knuckle arm key.....	2-D	17	Drag link end nut cotter.....	2-F
6	Steering knuckle arm nut.....	2-D	18	Drag link end grease nipple.....	2-F
7	Steering knuckle arm cotter.....	2-D	19	Drag link clamp bolt.....	2-F
8	Tie rod end grease nipple.....	2-E	20	Drag link clamp.....	2-F
9	Tie rod end clamp bolt.....	2-E	21	Drag link clamp bolt lockwasher.....	2-F
10	Tie rod end clamp.....	2-E	22	Drag link clamp bolt nut.....	2-F
11	Tie rod end clamp bolt nut lockwasher.....	2-E	23	Drag link tube.....	2-F
12	Tie rod end clamp bolt nut.....	2-E	24	Steering gear arm.....	19-D

NOTES:

GROUP 2-FRONT AXLE

PART NAME	PART NO.	MODEL CODES											
		DG AND FO					DH AND FP						
		1	2	3	4	5	6	1	2	4	5	6	7
GROUP 2-A FRONT AXLE													
Front Axle													
I - beam - - - - -	1271931	1	1	1	1
I - beam - standard - - - - -	1193886	1	1	1
I - beam - heavy - - - - -	1194813	1	1
I - beam - standard - - - - -	1194813	1	1	1	1	1
I - beam - heavy - - - - -	1195854	1	1	1
Bushing - upper - standard - - - - -	† 636230	2	2	2
Bushing - lower - standard - - - - -	† 594777	2	2	2
Bushing - upper - heavy - - - - -	† 595602	2	2
Bushing - lower - heavy - - - - -	† 595603	2	2
Bushing - upper - - - - -	† 595602	2	2	2	2	2
Bushing - lower - - - - -	† 595603	2	2	2	2	2
GROUP 2-B KING PIN OR PIVOT													
King Pin or Pivot													
Pin - - - - -	† 1271402	2	2	2	2
Pin - standard - - - - -	† 1194747	2	2	2
Pin - heavy - - - - -	† 918965	2	2
Pin - - - - -	† 918965	2	2	2	2	2
Set screw - - - - -	† 1271403	2	2	2	2
Springwasher - - - - -	† 609297	2	2	2	2
Lock - - - - -	† 609298	2	2	2	2
Oil seal plug - - - - -	† 117920	4	4	4	4
Oil seal plug - standard - - - - -	† 192627	4	4	4
Oil seal plug - heavy duty - - - - -	† 117923	4	4
Oil seal plug - - - - -	† 117923	4	4	4	4	4	4
Grease nipple - - - - -	† 145433	4	4	4	4	4	4	4	4	4	4	4	4
Lock pin - standard - - - - -	† 41558	2	2	2
Lock pin - heavy - - - - -	† 55590	4	4
Lock pin - - - - -	† 55590	4	4	4	4	4
Nut - heavy - - - - -	120369	4	4
Nut - - - - -	120369	4	4	4	4	4
Lockwasher - heavy - - - - -	120382	4	4
Lockwasher - - - - -	120382	4	4	4	4	4
King Pin Service Package													
Package - - - - -	1321261	1	1	1	1
Package - standard - - - - -	1241697	1	1	1
Package - heavy - - - - -	1243609	1	1
Package - - - - -	1243609	1	1	1	1	1
GROUP 2-C STEERING KNUCKLES													
Steering Knuckle - Right													
Assembly - - - - -	1271388	1	1
Assembly - - - - -	1271392	..	1	1
Knuckle - standard - - - - -	1265368	1	1	1
Knuckle - heavy - - - - -	1265382	1	1
Knuckle - - - - -	1265382	1	1	1	1	1
Steering Knuckle - Left													
Assembly - - - - -	1271387	1	1
Assembly - - - - -	1271391	..	1	1
Knuckle - standard - - - - -	1265369	1	1	1
Knuckle - heavy - - - - -	1265383	1	1
Knuckle - - - - -	1265383	1	1	1	1	1

† Indicates amount used as required.

‡ Indicates parts included in packages.

GROUP 2-FRONT AXLE

PART NAME	PART NO.	MODEL CODES													
		DG AND FO						DH AND FP							
		1	2	3	4	5	6	1	2	4	5	6	7		
GROUP 2-C STEERING KNUCKLES (CONT'D)															
Steering Knuckle Bearing and Bushing															
Bearing - - - - -	† 618891	2	2	2	2		
Shim - thin - - - - -	† 1271401	*	*	*	*		
Bearing - standard - - - - -	† 594785	..	2	2	2		
Shim - thin - - - - -	† 594804	*	*	*		
Shim - thick - - - - -	594805	*	*	*		
Bearing - heavy - - - - -	† 595615	2	2	2		
Shim - thin - - - - -	† 595616	*	*		
Shim - thick - - - - -	† 595617	*	*		
Bearing - - - - -	† 595615	2	2	2	2	2	2		
Shim - thin - - - - -	† 595616	*	*	*	*	*	*		
Shim - thick - - - - -	† 595617	*	*	*	*	*	*		
Bushing - - - - -	† 1271399	4	4	4	4		
Stop screw - - - - -	644158	2	2	2	2		
Nut - - - - -	120371	2	2	2	2		
GROUP 2-D STEERING KNUCKLE ARM															
Steering Knuckle Arm															
Arm - right - L.H.D. - - - - -	1194046	1	1		
Arm - left - L.H.D. - - - - -	1194047	1	1		
Arm - right - R.H.D. - - - - -	1194044	1	1		
Arm - left - R.H.D. - - - - -	1194045	1	1		
Arm - right - L.H.D. - - - - -	1194048	..	1	1		
Arm - left - L.H.D. - - - - -	1194049	..	1	1		
Arm - right - R.H.D. - - - - -	1194050	..	1	1		
Arm - left - R.H.D. - - - - -	1194051	..	1	1		
Arm - right - standard - - - - -	1265370	1	1	1		
Arm - left - L.H.D. - standard - - - - -	1265371	1	1	1		
Arm - left - R.H.D. - standard - - - - -	1265377	1	1	1		
Arm - right - L.H.D. - heavy - - - - -	1265384	1	1		
Arm - left - L.H.D. - heavy - - - - -	1265385	1	1		
Arm - right - R.H.D. - heavy - - - - -	1265390	1	1		
Arm - left - R.H.D. - heavy - - - - -	1265391	1	1		
Arm - right - L.H.D. - - - - -	1265384	1	1	1	1	1	1		
Arm - left - L.H.D. - - - - -	1265385	1	1	1	1	1	1		
Arm - right - R.H.D. - - - - -	1265390	1	1	1	1	1	1		
Arm - left - R.H.D. - - - - -	1265391	1	1	1	1	1	1		
Key - standard - - - - -	120051	2	2	2		
Key - heavy - - - - -	178879	2	2		
Key - - - - -	178879	2	2	2	2	2	2		
Nut - - - - -	125298	2	2	2	2	2	2	2	2		
Cotter - - - - -	137298	2	2	2	2	2	2	2	2		
Stop screw - - - - -	1091520	2	2	2	2	2	2	2	2		
Nut - - - - -	124834	2	2	2	2	2	2	2	2		
GROUP 2-E STEERING TIE ROD															
Tie Rod															
Rod - - - - -	1194224	1	1		
Rod - - - - -	1271637	..	1	1		
Rod - standard - - - - -	1274428	1	1	1		
Rod - heavy - - - - -	1194862	1	1		
Rod - - - - -	1194862	1	1	1	1	2	2		
Tie Rod End															
End package - R.H. thread - - - - -	1311176	1	1	1	1		
End package - L.H. thread - - - - -	1311175	1	1	1	1		
End package - R.H. thread - standard - - - - -	1238405	1	1	1		
End package - L.H. thread - standard - - - - -	1238404	1	1	1		
End package - R.H. thread - heavy - - - - -	1238395	1	1		
End package - L.H. thread - heavy - - - - -	1238394	1	1		
End package - R.H. thread - - - - -	1238395	1	1	1	1	1	1		
End package - L.H. thread - - - - -	1238394	1	1	1	1	1	1		
Clamp - standard - - - - -	† 1272954	2	2	2	2	2	2	2		

Indicates amount used as required.

† Indicates parts included in packages.

GROUP 2-FRONT AXLE

PART NAME	PART NO.	MODEL CODES											
		DG AND FO					DH AND FP						
		1	2	3	4	5	6	1	2	4	5	6	7
GROUP 2-E STEERING TIE ROD (CONT'D)													
Tie Rod End (cont'd)													
Clamp - heavy	†1194863	2	2
Clamp	†1194863	2	2	2	2	2
Bolt - standard	† 120677	2	2	2	2	2	2	2
Bolt - heavy	† 571018	2	2
Bolt	† 571018	2	2	2	2	2
Nut - standard	† 120369	2	2	2	2	2	2	2
Nut - heavy	† 120370	2	2
Nut	† 120370	2	2	2	2	2
Lockwasher - standard	† 120382	2	2	2	2	2	2	2
Lockwasher - heavy	† 120383	2	2
Lockwasher	† 120383	2	2	2	2	2
Ball dust seal - standard	†1261187	2	2	2	2	2	2	2
Ball dust seal - heavy	1194871	2	2
Ball dust seal	1194871	2	2	2	2	2
Grease nipple	† 145433	2	2	2	2	2	2	2	2	2	2	2	2
Nut - standard	† 128178	2	2	2	2	2	2	2
Nut - heavy	† 1263946	2	2
Nut	† 1263946	2	2	2	2	2
Cotter - standard	† 108636	2	2	2	2	2	2	2
Cotter - heavy	† 119209	2	2
Cotter	† 119209	2	2	2	2	2
GROUP 2-F STEERING DRAG LINK													
Drag Link													
Assembly - L.H.D.	1195802	1	1	1	1
Assembly - R.H.D.	1195804	1	1	1	1
Assembly - L.H.D. - standard	1271376	1	1	1
Assembly - R.H.D. - standard	1271378	1	1	1
Assembly - L.H.D. - heavy	1271364	1	1
Assembly - R.H.D. - heavy	1271369	1
Tube - R.H.D. - heavy	1195890	1
Assembly - L.H.D.	1271364	1	1	1	1	1
Assembly - R.H.D.	1271369	1	1
Tube - R.H.D.	1195890	1	1	..
End package - heavy	1238406	2	2
End package	1238406	2	2	2	2	2
Nut - standard	102648	2	2	2	2	2	2	2
Nut - heavy	1263946	2	2
Nut	125267	2	2
Nut	1263946	2	2	2
Cotter - standard	108636	2	2	2	2	2	2	2
Cotter - heavy	† 119209	2	2
Cotter	† 119209	2	2	2	2	2
Grease nipple - standard - on DH4/FP4	145436	2	2	2	2	2	2	2
Grease nipple - heavy - on DH4/FP4	† 145433	2	2	2	2	2	2	2
Clamp	†1195896	2	2	2	2	2	2	2
Bolt	†1195897	2	2	2	2	2	2	2
Nut	† 120371	2	2	2	2	2	2	2
Lockwasher	† 120384	2	2	2	2	2	2	2
Drag Link Dust Cover													
Dust cover - standard	1261187	2	2	2	2	2	2	2
Dust seal - heavy	1194860	2	2
Dust seal	1194860	2	2	2	2	2

Indicates amount used as required.

† Indicates parts included in packages.

