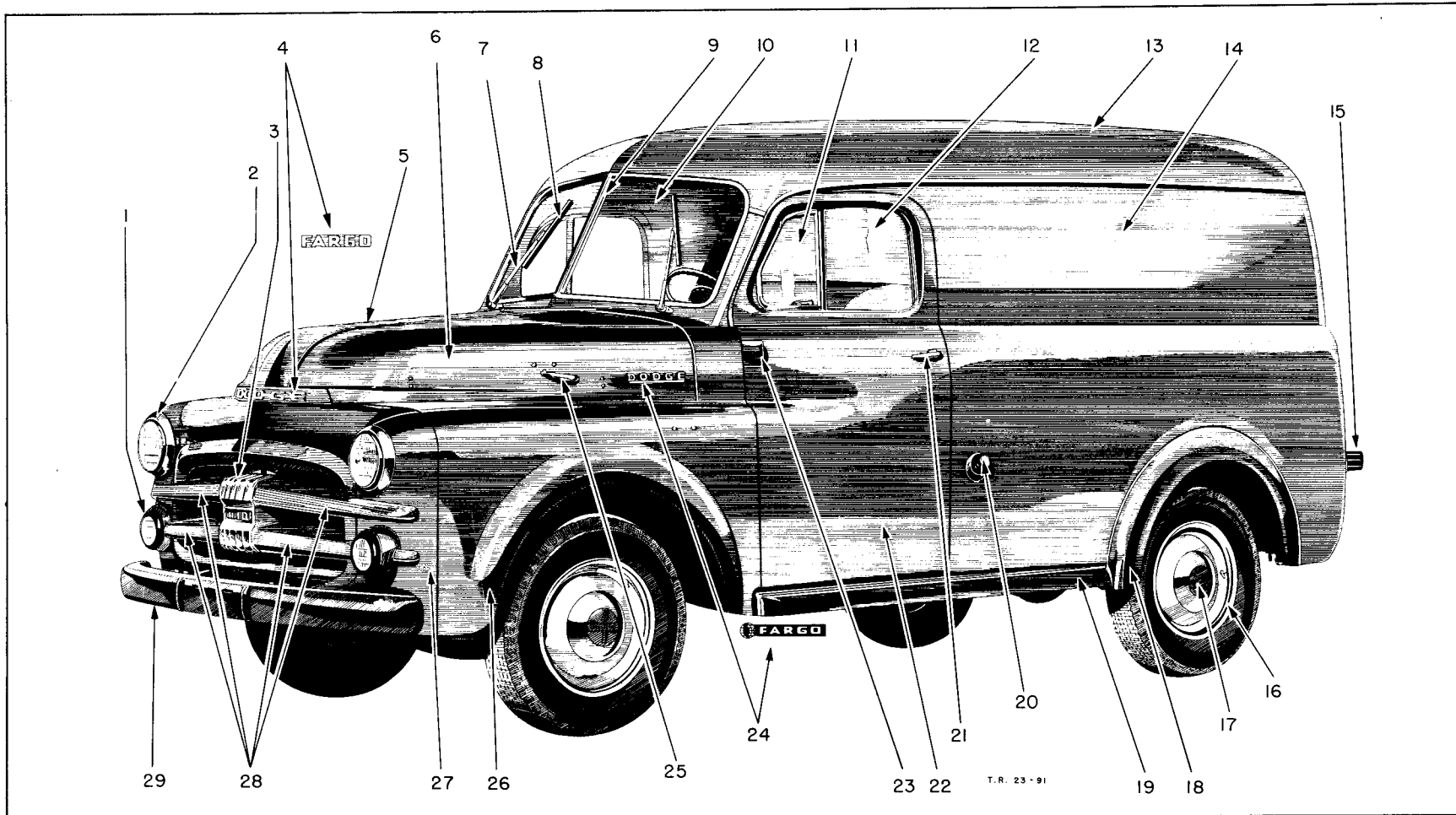


CHASSIS AND PANEL BODY

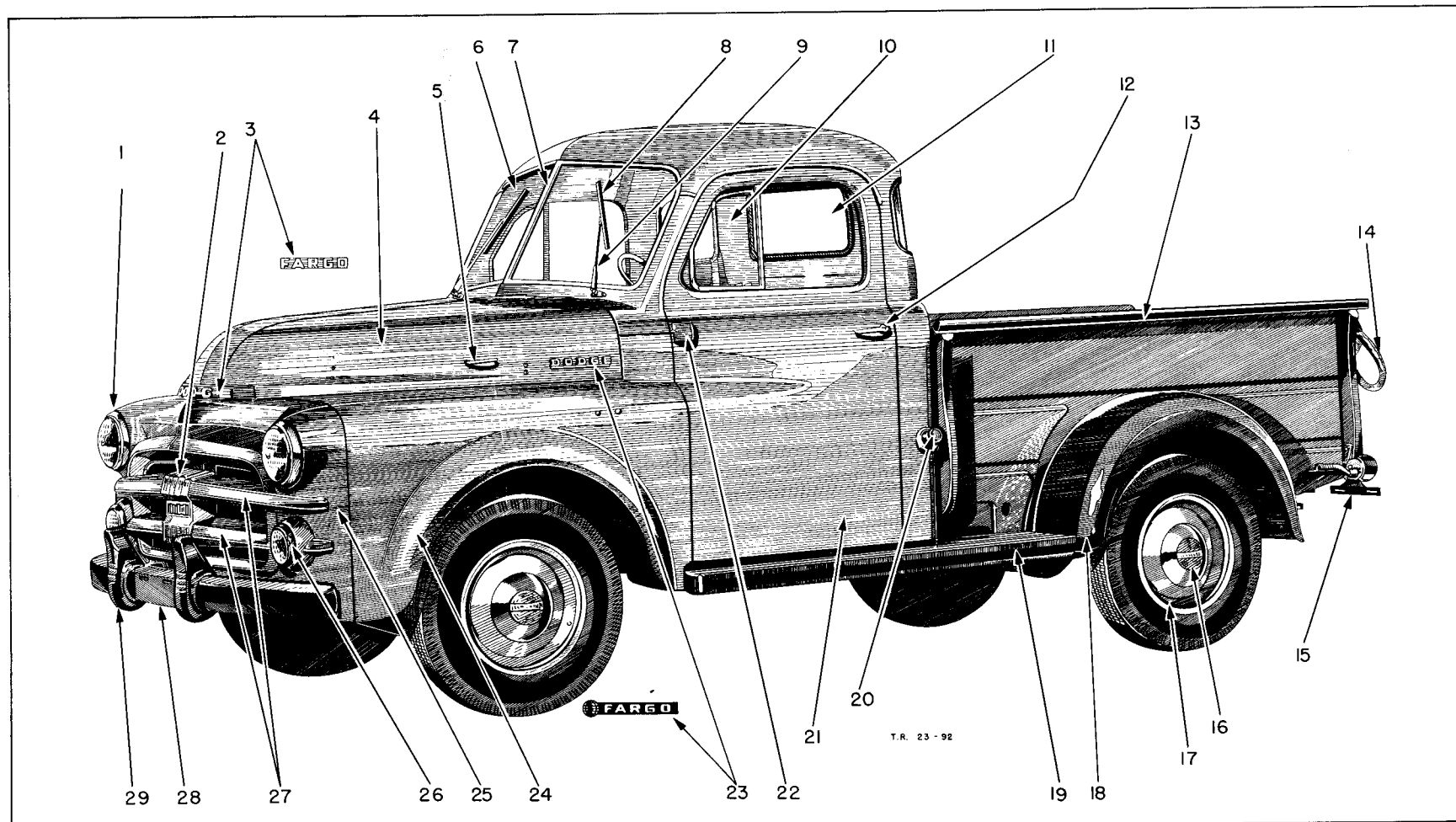
Plate 50



Ref. No.	Part Name	Group	Ref. No.	Part Name	Group	Ref. No.	Part Name	Group
1	Parking lamp.....	8-M	11	Door vent glass.....	23-F	21	Front door handle.....	23-F
2	Headlamp.....	8-L	12	Door glass.....	23-F	22	Front door assy.....	23-F
3	Grille medallion.....	7-C	13	Roof panel.....	23-D	23	Front door hinge.....	23-F
4	Grille name plate.....	7-C	14	Body side panel.....	23-D	24	Hood name plate.....	15-A
5	Hood center panel.....	15-A	15	Rear bumper.....	13-H	25	Hood lock handle.....	15-A
6	Hood side panel.....	15-A	16	Wheel assy.....	22-A	26	Front fender.....	12-B
7	Wiper arm.....	23-K	17	Hub cap.....	22-C	27	Radiator grille panel.....	7-C
8	Wiper blade.....	23-K	18	Rear fender.....	12-D	28	Radiator grill moulding.....	7-C
9	Windshield center bar.....	23-J	19	Running board.....	12-E	29	Front bumper.....	13-G
10	Windshield glass.....	23-J	20	Fuel tank cap.....	14-I			

GROUP 23 - BODY

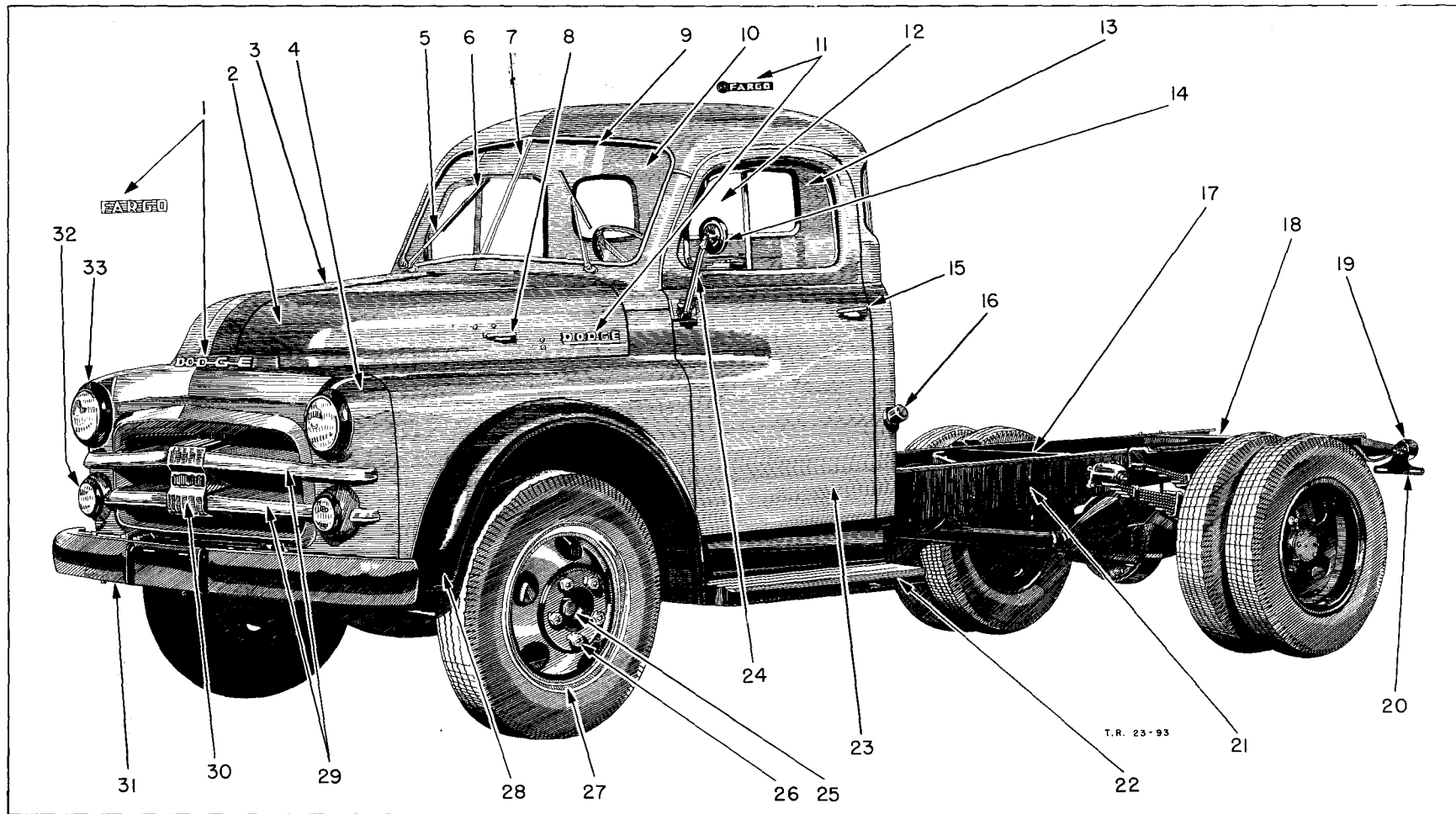
CAB AND EXPRESS BODY



Ref. No.	Part Name	Group	Ref. No.	Part Name	Group	Ref. No.	Part Name	Group
1	Head lamp.....	8-L	11	Door glass.....	23-F	21	Door Assy.....	23-F
2	Grille medallion.....	7-C	12	Door handle.....	23-F	22	Door hinge.....	23-F
3	Grille name plate.....	7-C	13	Side panel assy.....	24-F	23	Hood name plate.....	15-A
4	Hood side panel.....	15-A	14	Tailgate chain and cover.....	24-A	24	Front fender.....	12-B
5	Hood lock handle.....	15-A	15	Rear license bracket.....	8-0	25	Radiator grille panel.....	7-C
6	Windshield glass.....	23-J	16	Hub cap.....	22-C	26	Parking lamp.....	8-M
7	Windshield centre bar.....	23-J	17	Wheel assy.....	22-A	27	Grille moulding.....	7-C
8	Wiper blade.....	23-K	18	Rear fender.....	12-D	28	Front bumper.....	13-G
9	Wiper arm.....	23-K	19	Running board.....	12-E	29	Front bumper buffer plate.....	13-I
10	Door vent glass.....	23-F	20	Fuel tank cap.....	14-I			

CHASSIS AND CAB

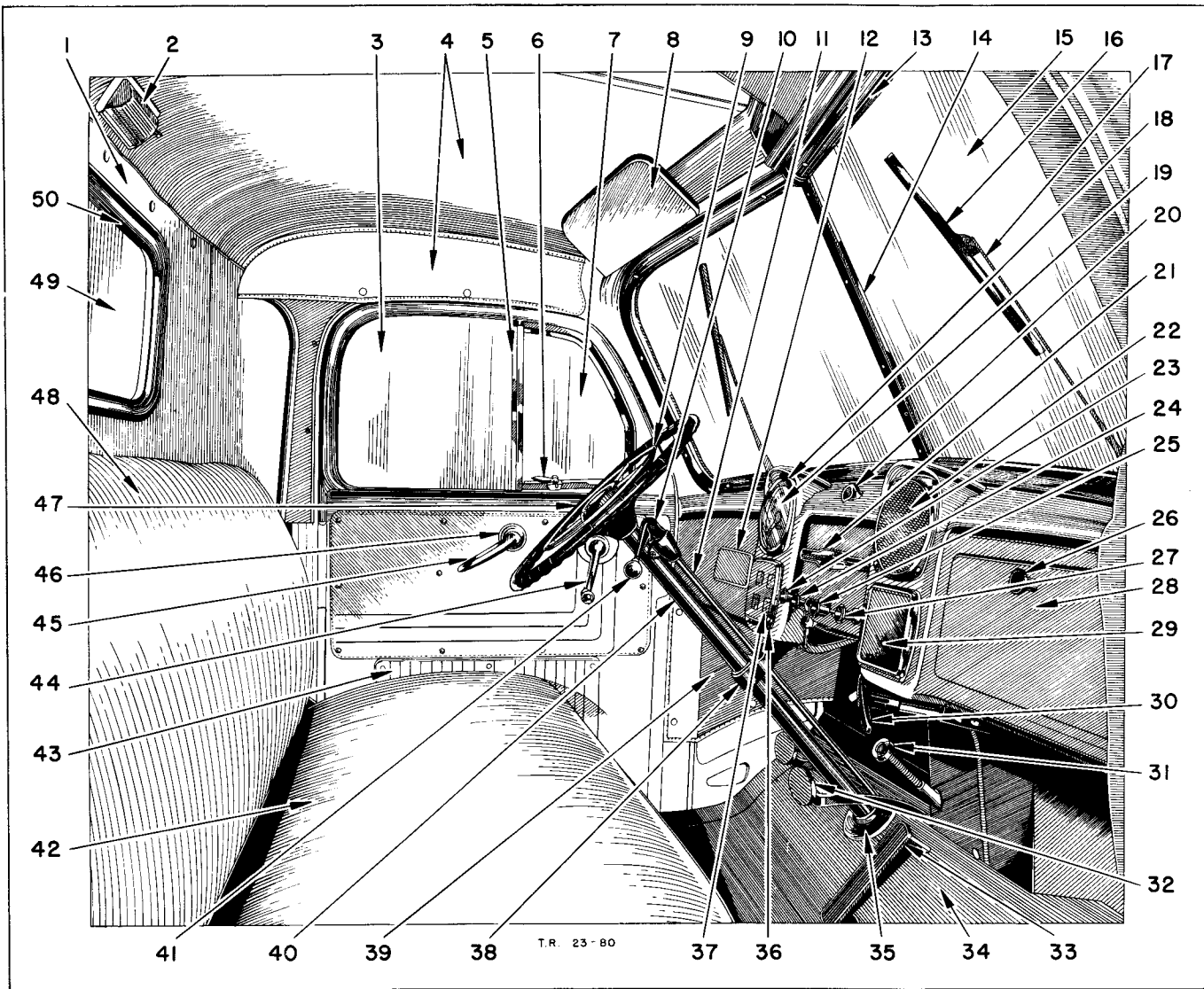
Plate 52



GROUP 23 - BODY

Ref. No.	Part Name	Group	Ref. No.	Part Name	Group	Ref. No.	Part Name	Group
1	Grille name plate.....	7-C	12	Door vent glass.....	23-F	23	Door assy.....	23-F
2	Hood side panel.....	15-A	13	Door glass.....	23-F	24	Rear view mirror.....	23-L
3	Hood centre panel.....	15-A	14	Rear view mirror.....	23-L	25	Front hub cap.....	22-C
4	Radiator grille panel.....	7-C	15	Door handle.....	23-F	26	Hub stud nut.....	22-C
5	Wiper arm.....	23-K	16	Fuel tank cap.....	14-I	27	Wheel.....	22-A
6	Wiper blade.....	23-K	17	Rear spring front crossmember.....	13-C	28	Front fender.....	12-B
7	Windshield centre bar.....	23-J	18	Frame rear crossmember.....	13-C	29	Grille moulding.....	7-C
8	Hood lock handle.....	15-A	19	Tail lamp.....	8-N	30	Grille medallion.....	7-C
9	Windshield garnish moulding.....	23-J	20	Rear license bracket.....	8-O	31	Front bumper.....	13-G
10	Windshield glass.....	23-J	21	Frame assy.....	13-A	32	Parking lamp.....	8-M
11	Hood name plate.....	15-A	22	Running board.....	12-E	33	Headlamp.....	8-L

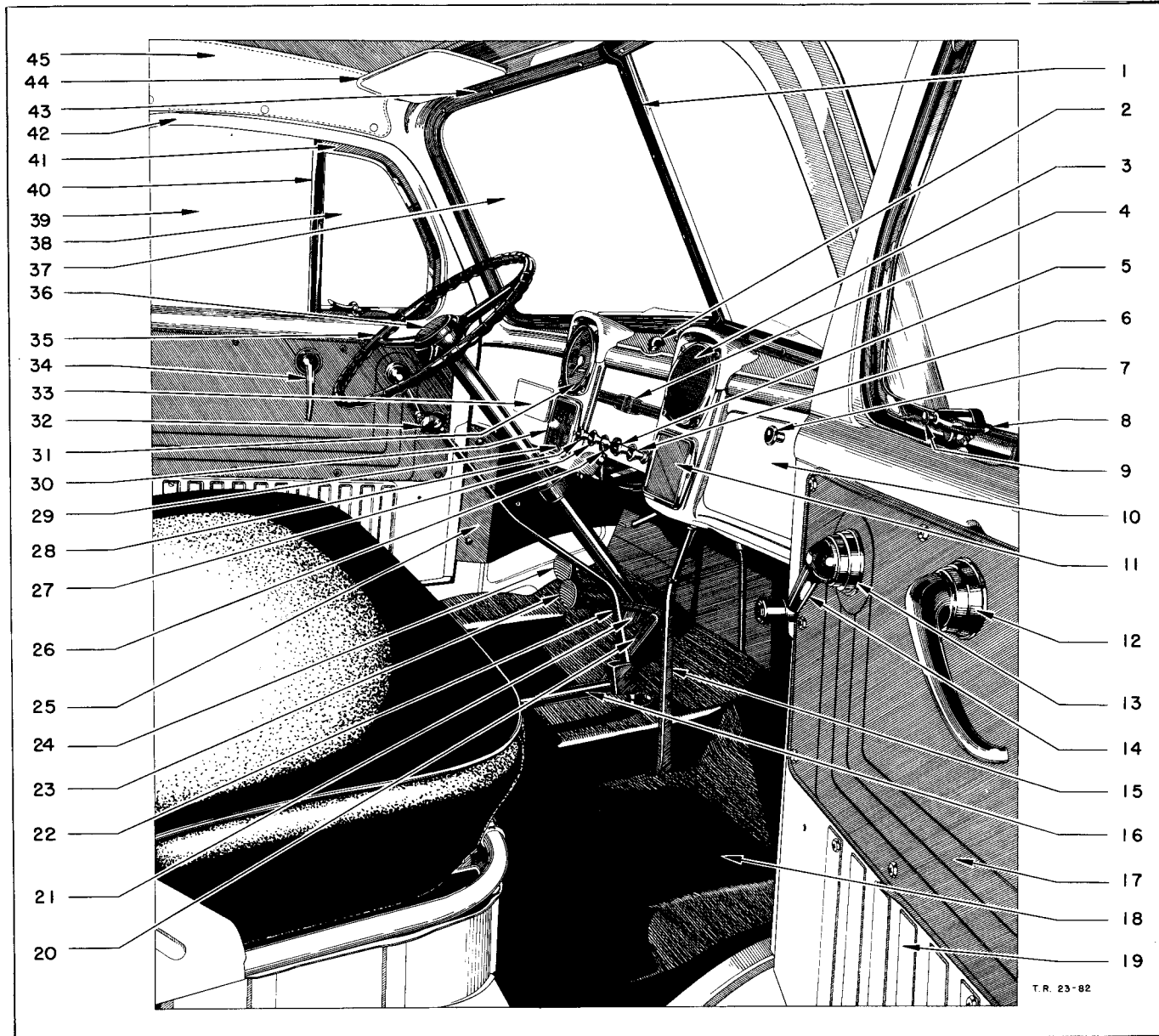
23-3



Ref. No.	Part Name	Group
1	Rear trim panel.....	23-1
2	Dome lamp bezel w/lens.....	8-M
3	Door window rear glass.....	23-F
4	Roof trim panel.....	23-1
5	Window division bar.....	23-F
6	Vent wing handle.....	23-F
7	Vent wing glass.....	23-F
8	Sun visor.....	23-1
9	Horn blowing ring.....	19-H
10	Gearshift lever.....	19-1
11	Gearshift rod.....	19-1
12	Radio hole cover.....	23-A
13	Windshield garnish moulding.....	23-J
14	Windshield center bar.....	23-J
15	Windshield glass.....	23-J
16	Windshield wiper blade.....	23-K
17	Windshield wiper arm.....	23-K
18	Speedometer.....	21-E
19	Speedometer dial glass.....	21-E
20	Windshield wiper knob.....	23-K
21	Center panel moulding.....	23-A
22	Radio speaker grille.....	23-A
23	Headlamp switch control knob.....	8-1
24	Panel lamp switch control knob.....	8-1
25	Choke control knob.....	14-B

Ref. No.	Part Name	Group
26	Glove box door knob.....	23-A
27	Throttle control knob.....	14-B
28	Glove box door.....	23-A
29	Ash receiver opening cover.....	23-A
30	Hand brake lever.....	4-B
31	Started motor pedal.....	8-D
32	Brake pedal.....	5-H
33	Accelerator pedal.....	14-A
34	Floor mat.....	23-E
35	Steering post collar.....	23-A
36	Instrument bezel.....	23-A
37	Instrument dial glass.....	8-G
38	Steering post bracket.....	23-A
39	Cowl trim panel.....	23-1
40	Steering column jacket.....	19-E
41	Gearshift lever knob.....	19-1
42	Seat cushion.....	23-H
43	Inside panel inspection cover.....	23-F
44	Door window regulator handle.....	23-F
45	Door lock remote control handle.....	23-F
46	Remote control handle escutcheon.....	23-F
47	Steering wheel.....	19-H
48	Seat back cushion.....	23-H
49	Rear center window glass.....	23-C
50	Rear window glass weatherstrip.....	23-C

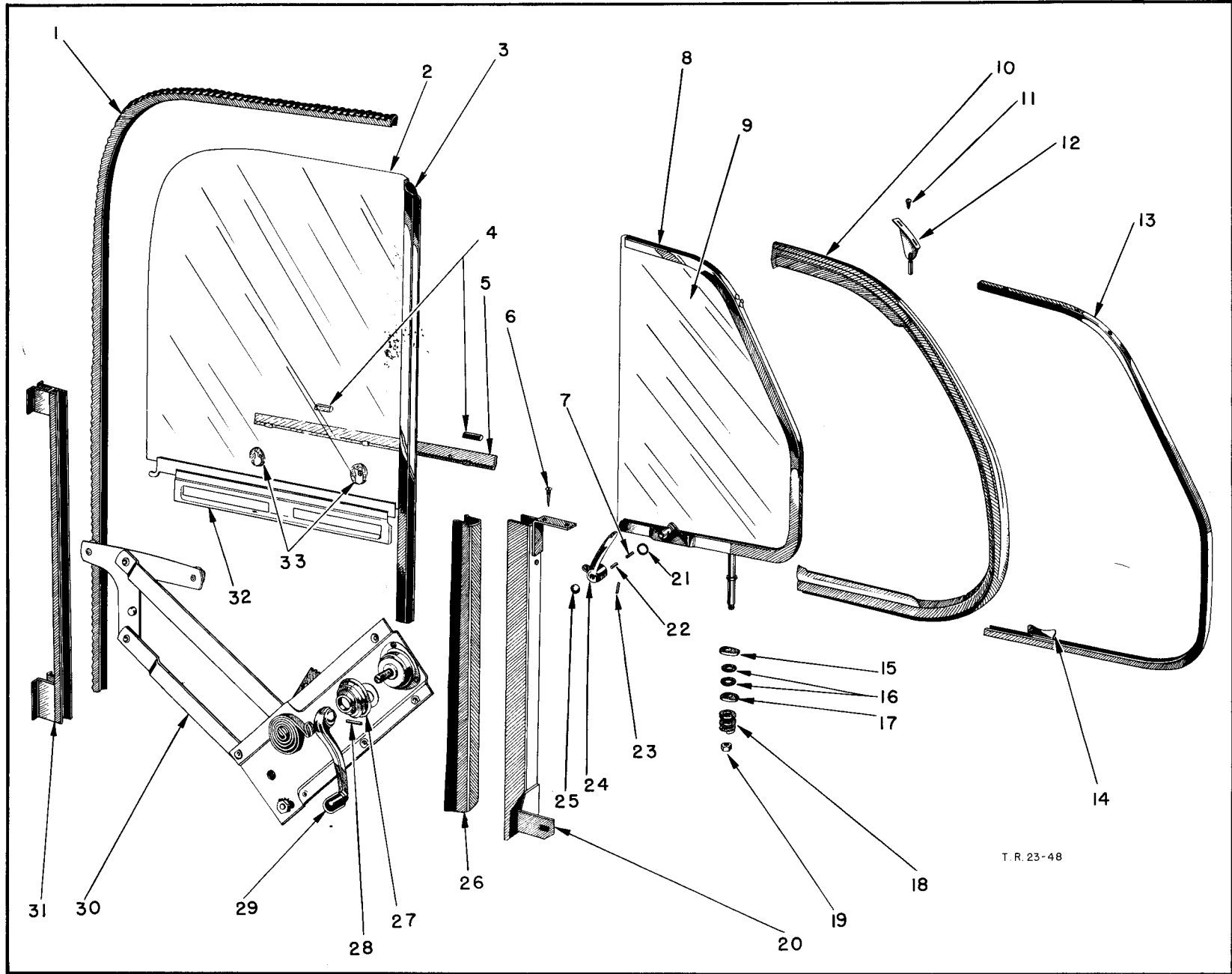
CAB - INTERIOR VIEW



Ref. No.	Part Name	Group
1	Windshield center bar.....	23-J
2	Windshield wiper knob.....	23-K
3	Radio speaker grille.....	23-A
4	Center panel moulding.....	23-A
5	Choke control knob.....	14-B
6	Throttle control knob.....	14-B
7	Glove box door.....	23-A
8	Vent wing handle.....	23-F
9	Vent wing handle key button.....	23-F
10	Glove box door.....	23-A
11	Ash receiver opening cover.....	23-A
12	Door handle escutcheon.....	23-F
13	Regulator handle escutcheon.....	23-F
14	Window regulator handle.....	23-F
15	Hand brake lever.....	4-B
16	Gearshift lever control rod.....	19-I
17	Front door trim panel.....	23-I
18	Floor mat.....	23-E
19	Door inspection hole cover.....	23-F
20	Accelerator pedal.....	14-A
21	Steering post collar.....	23-A
22	Gearshift lever.....	19-I
23	Brake pedal.....	5-H

Ref. No.	Part Name	Group
24	Clutch pedal.....	6-G
25	Cowl trim panel.....	23-I
26	Ignition lock cylinder and keys.....	8-F
27	Panel lamp switch control knob.....	8-I
28	Headlamp switch control knob.....	8-I
29	Instrument dial glass.....	8-G
30	Instrument bezel.....	23-A
31	Speedometer.....	21-E
32	Gearshift lever knob.....	19-I
33	Radio hole cover.....	23-A
34	Front door remote control handle.....	23-F
35	Steering wheel.....	19-H
36	Horn button.....	19-H
37	Windshield glass.....	23-J
38	Vent wing glass.....	23-F
39	Door window rear glass.....	23-F
40	Window Division bar.....	23-F
41	Vent wing frame.....	23-F
42	Front door.....	23-F
43	Windshield garnish moulding.....	23-J
44	Sun visor.....	23-I
45	Roof trim panel.....	23-I

T.R. 23-82



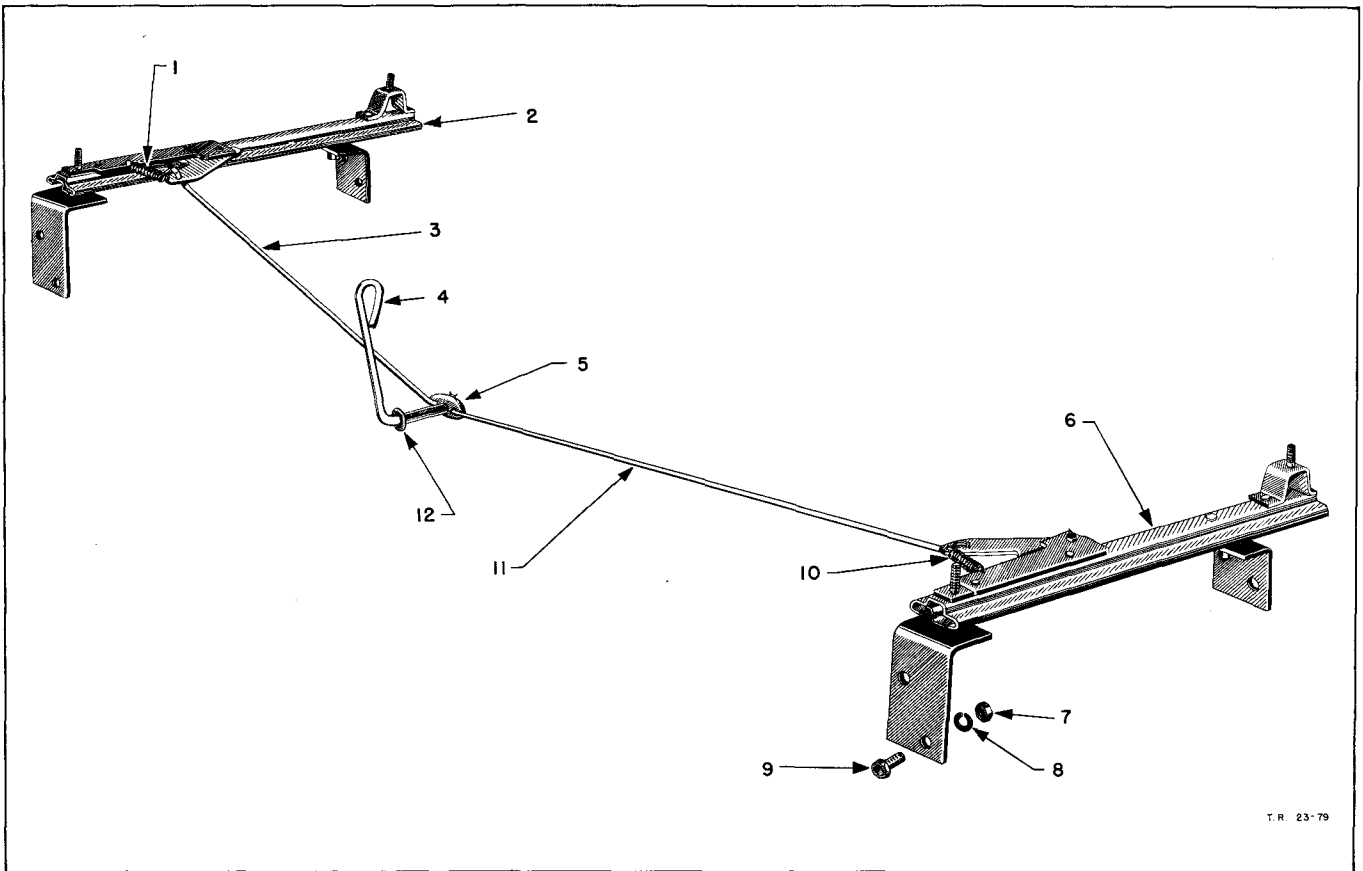
T.R. 23-48

Plate 55 (Cont'd)

Ref. No.	Part Name	Group	Ref. No.	Part Name	Group
1	Door glass rear run.....	23-F	18	Vent wing pivot spring.....	23-F
2	Door rear glass.....	23-F	19	Vent wing pivot nut.....	23-F
3	Division bar.....	23-F	20	Glass run front channel.....	23-F
4	Inside panel glass bumper.....	23-F	21	Locking handle washer.....	23-F
5	Outside panel glass weatherstrip.....	23-F	22	Locking handle key.....	23-F
6	Glass run channel screw.....	23-F	23	Locking handle pin.....	23-F
7	Locking handle key spring.....	23-F	24	Locking handle.....	23-F
8	Vent wing frame.....	23-F	25	Locking handle button.....	23-F
9	Vent wing glass.....	23-F	26	Door glass front run.....	23-F
10	Vent wing weatherstrip.....	23-F	27	Regulator handle escutcheon.....	23-F
11	Vent wing hinge screw.....	23-F	28	Regulator handle pin.....	23-F
12	Vent wing hinge.....	23-F	29	Regulator handle.....	23-F
13	Vent wing retainer.....	23-F	30	Door window regulator.....	23-F
14	Retainer locking bracket.....	23-F	31	Rear run channel.....	23-F
15	Vent wing lower pivot stop.....	23-F	32	Glass lower channel.....	23-F
16	Pivot thrust washer.....	23-F	33	Regulator stud retainer.....	23-F
17	Vent wing lower pivot stop.....	23-F			

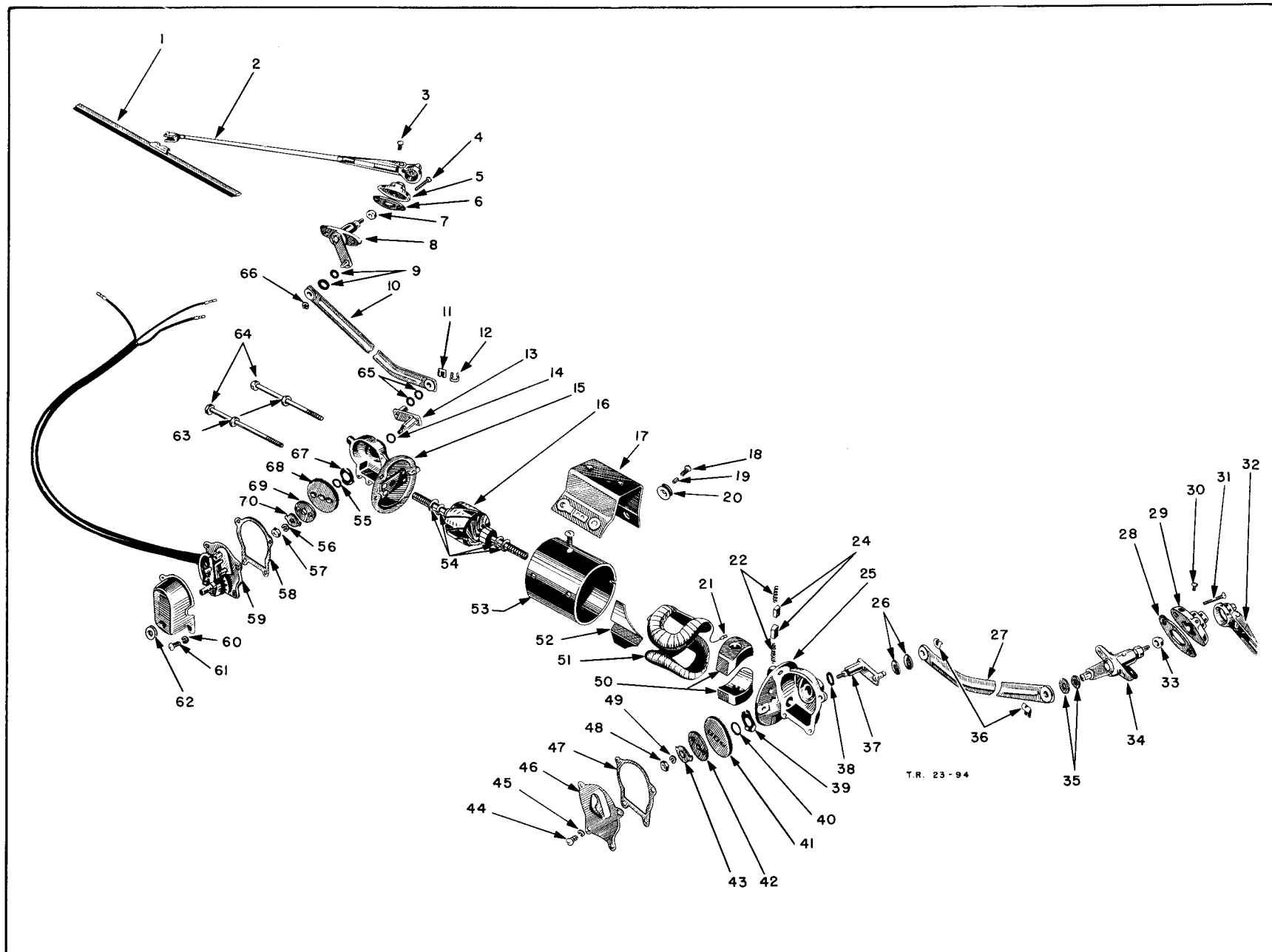
SEAT REGULATOR

Plate 56



T. R. 23-79

Ref. No.	Part Name	Group	Ref. No.	Part Name	Group
1	Ratchet spring - right.....	23-H	7	Riser bracket screw nut.....	23-H
2	Regulator assembly - right.....	23-H	8	Riser screw lockwasher.....	23-H
3	Control Rod - right.....	23-H	9	Riser bracket screw.....	23-H
4	Regulator handle.....	23-H	10	Regulator spring - left.....	23-H
5	Regulator handle lever.....	23-H	11	Control rod - left.....	23-H
6	Regulator assembly - left.....	23-H	12	Regulator handle washer.....	23-H



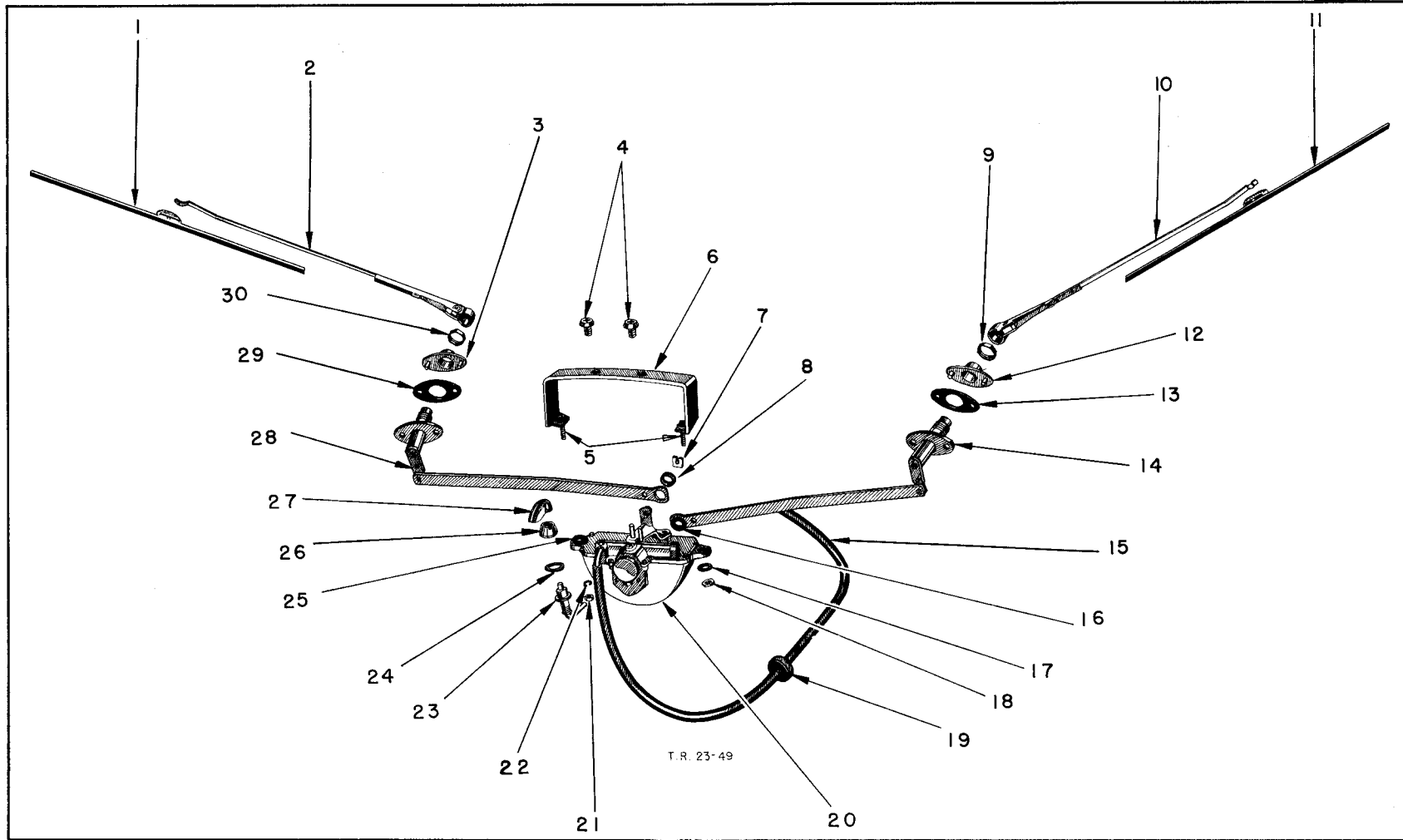
WINDSHIELD WIPER - ELECTRIC

Plate 57 (Cont'd)

Ref. No.	Part Name	Group
1	Wiper blade.....	23-K
2	Wiper arm.....	23-K
3	Pivot cover screw.....	23-K
4	Cover plate screw.....	23-K
5	Pivot cover.....	23-K
6	Pivot cover gasket.....	23-K
7	Pivot gasket.....	23-K
8	Pivot assy.....	23-K
9	Link washer.....	23-K
10	Pivot link.....	23-K
11	Pivot link retainer.....	23-K
12	Pivot link retainer.....	23-K
13	Crank arm.....	23-K
14	Crank arm washer.....	23-K
15	Drive end head.....	23-K
16	Armature.....	23-K
17	Mounting bracket.....	23-K
18	Mounting bracket screw.....	23-K
19	Mounting bracket sleeve (not serviced).....	23-K
20	Mounting bracket grommet.....	23-K
21	Lead assy.....	23-K
22	Brush spring.....	23-K
23	Brush.....	23-K
24	Commutator end head.....	23-K
26	Crank thrust washer.....	23-K
27	Pivot link.....	23-K
28	Pivot cover gasket.....	23-K
29	Pivot cover.....	23-K
30	Pivot cover screw.....	23-K
31	Cover plate screw.....	23-K
32	Wiper arm.....	23-K
33	Pivot gasket.....	23-K
34	Pivot assy.....	23-K
35	Link washer.....	23-K

Ref. No.	Part Name	Group
36	Pivot link retainer.....	23-K
37	Crank arm.....	23-K
38	Crank arm washer.....	23-K
39	Washer (not serviced).....	23-K
40	Gear washer.....	23-K
41	Wiper gear.....	23-K
42	Wiper gear plate.....	23-K
43	Wiper gear key.....	23-K
44	Cover plate screw.....	23-K
45	Cover plate screw washer.....	23-K
46	Cover plate.....	23-K
47	Cover plate gasket.....	23-K
48	Gear plate nut.....	23-K
49	Gear plate nut washer.....	23-K
50	Shoe (service in assy.).....	23-K
51	Field coil assy.....	23-K
52	Field coil insulation.....	23-K
53	Frame (service in assy.).....	23-K
54	Armature thrust washer.....	23-K
55	Gear washer.....	23-K
56	Gear plate nut washer.....	23-K
57	Gear plate nut.....	23-K
58	Cover plate gasket.....	23-K
59	Switch and base plate assy.....	23-K
60	Cover plate screw washer.....	23-K
61	Cover plate screw.....	23-K
62	Switch cover grommet.....	23-K
63	Thru bolt washer.....	23-K
64	Thru bolt.....	23-K
65	Crank thrust washer.....	23-K
66	Pivot link retainer.....	23-K
67	Washer (not serviced).....	23-K
68	Wiper gear.....	23-K
69	Wiper gear plate.....	23-K
70	Wiper gear key.....	23-K

GROUP 23 - BODY



T.R. 23-49

Ref. No.	Part Name	Group	Ref. No.	Part Name	Group	Ref. No.	Part Name	Group
1	Wiper blade - left.....	23-K	11	Wiper blade - right.....	23-K	21	Motor to mounting bracket nut.....	23-K
2	Wiper arm - left.....	23-K	12	Motor spacer - right.....	23-K	22	Bracket nut washer.....	23-K
3	Motor spacer - left.....	23-K	13	Pivot cover gasket.....	23-K	23	Wiper control.....	23-K
4	Oiler screw.....	23-K	14	Pivot and link.....	23-K	24	Switch mounting washer.....	23-K
5	Motor to mounting bracket screw.....	23-K	15	Wiper vacuum tube.....	23-K	25	Mounting bracket washer.....	23-K
6	Motor mounting bracket.....	23-K	16	Mounting bracket washer.....	23-K	26	Control mounting nut.....	23-K
7	Motor to pivot link retainer.....	23-K	17	Mounting bracket washer.....	23-K	27	Control knob.....	23-K
8	Connecting link bushing.....	23-K	18	Mounting bracket nut.....	23-K	28	Pivot and link.....	23-K
9	Pivot mounting nut.....	23-K	19	Vacuum tube grommet.....	23-K	29	Pivot cover gasket.....	23-K
10	Wiper arm - right.....	23-K	20	Motor assembly.....	23-K	30	Pivot mounting nut.....	23-K

GROUP 23 - BODY

Body Model And Symbol	Chassis Model	
	Dodge	Fargo
Flat face cowl - 5110 - 5120	DG1-DG2-DH1-DH2 DG3-DG4-DG5-DG6-DH4-DH5-DH6-DH7	F01-F02-FP1-FP2 F03-F04-F05-F06-FP4-FP5-FP6-FP7
Windshield cowl - 5111 - 5121	DG1-DG2 DG3-DG4-DG5-DG6	F01-F02 F03-F04-F05-F06
Cab - 5112 - 5122	DG1-DG2-DH1-DH2 DG3-DG4-DG5-DG6-DH4-DH5-DH6-DH7	F01-F02-FP1-FP2 F03-F04-F05-F06-FP4-FP5-FP6-FP7
Panel - 5113	DG1-DH1	F01-FP1

NOTE: Parts referred to Note 1 were used up to and including:
 Parts referred to Note 2 were used after the following serial numbers:

DG1 - 90103493	F01 - 90522063
DG2 - 91188782	F02 - 91509591
DG3 - 92000834	F03 - 92500915
DG4 - 93005102	F04 - 93504536
DG5 - 93252563	F05 - 93752037
DG6 - 94004899	F06 - 94503130

Except - Note 1 parts were used all the way on DG3 and F03

NOTE: Parts referred to Note 3 were used up to and including:
 Parts referred to Note 4 were used after the following serial numbers:

DG1 - 90100995	F01 - 90159869
DG2 - 91188006	F02 - 91508906
DG4 - 93004495	F04 - 93504216
DG5 - 93252278	F05 - 93751856
DG6 - 94004330	F06 - 94502724

NOTE: Parts referred to Note 5 were used up to and including:
 Parts referred to Note 6 were used after the following serial numbers:

DG1 - 90098118	F01 - 90517404
----------------	----------------

Exception: - F01 - 90517314 used Note 6 parts.

NOTE: Parts referred to Note 7 were used up to and including:
 Parts referred to Note 8 were used after the following serial numbers:

DG1 - 90098118	F01 - 90517404
DG2 - 91186992	F02 - 91508065
DG3 - 92000805	F03 - 92500893
DG4 - 93003882	F04 - 93503582
DG5 - 93251881	F05 - 93751576
DG6 - 94003136	F06 - 94502279

Exception: F01 - 90517484 used Note 7 parts

Parts referred to Note 9 were used on the following serial numbers only:

DG1 - 90099769	F01 - 90518912
----------------	----------------

NOTE: Parts referred to Note 10 were used up to and including:
 Parts referred to Note 11 were used after the following serial numbers:

DG1 - 90099350	F01 - 90518519
DG2 - 91187496	F02 - 91508499
DG4 - 93004154	F04 - 93503876
DG5 - 93252083	F05 - 93751732
DG6 - 94003614	F06 - 94502504

GROUP 23 - BODY

PART NAME	PART NO.	BODY SYMBOLS						
		CAB		PANEL	F.F.	COWL	W.S.	COWL
		5112	5122	5113	5110	5120	5111	5121
GROUP 23-A CAB AND FRONT SECTION								
Cab Shell								
Assembly - less doors - prime - - - - -	1278486	1	1
Front Section								
Assembly - - - - -	1279170	1	1	1	1	1
Assembly - - - - -	1278377	1	1
Lacing - cowl hood - - - - -	747877	*	*	*	*	*	*	*
Lacing - 100 foot roll - - - - -	680414	*	*	*	*	*	*	*
Stud - - - - -	494861	10	10	10	10	10	10	10
Cowl Ventilator								
Lid assembly - - - - -	1096787	1	1	1	1	1	1	1
Weatherstrip - - - - -	1097091	1	1	1	1	1	1	1
Drain tube - - - - -	785785	1	1	1	1	1	1	1
Brace assembly - - - - -	1096786	1	1	1	1	1	1	1
Screw - to instrument panel - - - - -	123473	1	1	1	1	1	1	1
Nut - - - - -	120368	1	1	1	1	1	1	1
Lockwasher - - - - -	1097771	1	1	1	1	1	1	1
Screw - to dash - - - - -	123316	2	2	2	2	2	2	2
Nut - - - - -	120367	2	2	2	2	2	2	2
Lockwasher - - - - -	120380	2	2	2	2	2	2	2
Spring - - - - -	747290	1	1	1	1	1	1	1
Hinge - - - - -	1096610	1	1	1	1	1	1	1
Screw assembly - to deflector - - - - -	1197130	2	2	2	2	2	2	2
Screw - pivot - - - - -	1096795	2	2	2	2	2	2	2
Nut - - - - -	120367	2	2	2	2	2	2	2
Lockwasher - - - - -	1093271	2	2	2	2	2	2	2
Rivet - ratchet pawl - - - - -	104068	1	1	1	1	1	1	1
Rivet - handle bracket link - - - - -	426158	1	1	1	1	1	1	1
Rivet - handle link to ratchet - - - - -	426158	1	1	1	1	1	1	1
Plainwasher - - - - -	120391	1	1	1	1	1	1	1
Screw assembly - handle link bracket - - - - -	1197130	2	2	2	2	2	2	2
Steering Post								
Bracket - - - - -	1097775	1	1	1	1	1	1	1
Screw - - - - -	120741	4	4	4	4	4	4	4
Nut - - - - -	120368	4	4	4	4	4	4	4
Lockwasher - - - - -	120214	4	4	4	4	4	4	4
Plainwasher - - - - -	120387	4	4	4	4	4	4	4
Spacer - - - - -	1279280	1	..	1	1	..	1	..
Spacer - L.H.D. - - - - -	1279286	..	1	1	..	1
Spacer - R.H.D. - - - - -	1397743	..	1	1	..	1
Clamp - L.H.D. - - - - -	1279418	1	..	1	1	..	1	..
Clamp - R.H.D. - - - - -	1279282	1	..	1	1	..	1	..
Clamp - L.H.D. - - - - -	1279288	..	1	1	..	1
Clamp - R.H.D. - - - - -	1397745	..	1	1	..	1
Spacer - clamp - - - - -	641765	..	2	2	..	2
Screw - - - - -	120677	2	2	2	2	2	2	2
Nut - - - - -	120369	2	2	2	2	2	2	2
Lockwasher - - - - -	1094595	2	2	2	2	2	2	2
Insulator - - - - -	1279284	1	1	1	1	1	1	1
Insulator - R.H.D. - - - - -	705360	..	1	1	..	1
Collar - - - - -	590435	1	1	1	1	1	1	1
Glove Box								
Assembly - - - - -	1199348	1	1	1	1	1	1	1
Screw - - - - -	142611	4	4	4	4	4	4	4
Door assembly - without lock - includes hinge -	1097505	1	1	1	1	1	1	1
Hinge - body half - - - - -	1096556	1	1	1	1	1	1	1
Screw - - - - -	142611	4	4	4	4	4	4	4
Plainwasher - - - - -	120391	4	4	4	4	4	4	4
Pin - - - - -	1097502	1	1	1	1	1	1	1

GROUP 23 - BODY

PART NAME	PART NO.	BODY SYMBOLS						
		CAB		PANEL	F.F.	COWL	W.S.	COWL
		5112	5122	5113	5110	5120	5111	5121
GROUP 23-A CAB AND FRONT SECTION (CONT'D)								
Glove Box (Cont'd)								
Spring - - - - -	1097070	1	1	1	1	1	1	1
Bumper - - - - -	755675	2	2	2	2	2	2	2
Knob - white lettered	1191538	1	1	1	1	1	1	1
Knob - black lettered	1107429	1	1	1	1	1	1	1
Screw - - - - -	132900	1	1	1	1	1	1	1
Lockwasher - - - - -	120217	1	1	1	1	1	1	1
Ash Receiver								
Assembly - white lettered knob - - - - -	1272304	1	1	1	1	1
Assembly - black lettered knob - - - - -	1107739	1	1	1	1	1
Face plate - - - - -	1272300	1	1	1	1	1
Bezel - - - - -	1272301	1	1	1	1	1
Knob assembly - white lettered - - - - -	1195688	1	1	1	1	1
Knob assembly - black lettered - - - - -	1107428	1	1	1	1	1
Screw - - - - -	132908	1	1	1	1	1
Lockwasher - - - - -	120217	1	1	1	1	1
Set screw - - - - -	147460	1	1	1	1	1
Housing - - - - -	1272303	1	1	1	1	1
Retainer - - - - -	1272302	1	1	1	1	1
Mounting plate - - - - -	1271226	1	1	1	1	1
Rivet - - - - -	104223	4	4	4	4	4
Extinguisher - cigar - - - - -	1272299	1	1	1	1	1
Instrument Panel								
Radio hole cover - exc. DG2 91185034 and F03 92500703 - -	1280137	1	1	1	1	1	1	1
Radio hole cover - on DG2 91185034 and F03 92500703 - -	1197717	1	1
Radio speaker grille assembly - - - - -	1194655	1	1	1	1	1	1	1
Bezel - - - - -	1260775	1	1	1	1	1	1	1
Screw - - - - -	163217	4	4	4	4	4	4	4
Filler - to radio speaker - - - - -	1278685	1	1	1	1	1
Screw - - - - -	1395742	4	4	4	4	4
Center moulding - Note 1 - - - - -	1278681	1	1	1	1	1
Clip - Note - - - - -	1279671	3	3	3	3	3
Center moulding - Desoto - Note 2 - - - - -	1397999	1	1	1
Name plate - Dodge - Note 2 - - - - -	1386452	1	1	1
Name plate - Fargo - Note 2 - - - - -	1398216	1	1	1
Retainer - Note 2 - - - - -	1332597	3	3	3
GROUP 23-B BODY SIDE								
Body Side								
Assembly - right - - - - -	1278765	1
Assembly - left - - - - -	1278766	1
Dust shield assembly - inside panel - right	1197205	1
Dust shield assembly - inside panel - left	1197206	1
Felt - inside panel to strainer - - - - -	772414	*
Rivet - - - - -	41206	12
Housing - side fuel filler - Note 1 - - - - -	1197014	1
Housing - side fuel filler - inner - Note 2	1398576	1
Housing - side fuel filler - outer - Note 2	1398578	1
Screw - - - - -	125591	*
Plainwasher - - - - -	120385	*
Grommet - side panel fuel filler - - - - -	1097575	1	1	1
Panel - underbody sill - - - - -	1276376	2	2	2
Screw - to pillar - - - - -	125591	8	8	8
Plainwasher - - - - -	120385	8	8	8
Brace - lock pillar to underbody bracket - - -	1275663	2	2

GROUP 23 - BODY

PART NAME	PART NO.	BODY SYMBOLS						
		CAB		PANEL	F.F.	COWL	W.S.	COWL
		5112	5122	5113	5110	5120	5111	5121
GROUP 23-C BODY REAR END								
Body Rear Section								
Rear section and roof panel assembly - less drip mouldings - - - - -	1279085	1	1
Window glass - center - standard - - - - -	1097273	1	1
Window glass - center - solex - - - - -	1398375	1	1
Weather strip - - - - -	1096608	1	1
Grommet - fuel filler neck - - - - -	1097575	1	1
Seal - fuel filler neck - - - - -	1276983	1	1
Felt - to underbody - - - - -	772414	*	*
Rear lower panel - - - - -	1278584	1
GROUP 23-D ROOF								
NOTE: For cab roof see rear section - Group 23-C								
Roof								
Roof panel - - - - -	1096821	1
Roof bow assembly #1 - includes dome lamp bracket	1197318	1
Roof bow #2 - - - - -	1197334	1
Screw - - - - -	1096643	12
J/Nut - - - - -	1096644	12
Plainwasher - - - - -	120387	12
Roof side drip moulding - right - - - - -	1199676	1	1
Roof side drip moulding - left - - - - -	1199677	1	1
Roof side drip moulding - right - - - - -	1199678	1
Roof side drip moulding - left - - - - -	1199679	1
Clip - - - - -	1199682	2
Cowl hinge pillar drip moulding - right - - - - -	1199717	1	1
Cowl hinge pillar drip moulding - left - - - - -	1199718	1	1
GROUP 23-E FLOOR								
Front Floor Transmission Cover								
Assembly - with 3 speed trans. - - - - -	1276582	1	..	1
Assembly - - - - -	1276586	..	1
Assembly - with 4 speed trans. - less fluid drive	1276593	1	..	1
Assembly - with 4 speed trans. - with fluid drive	1276597	1	..	1
Screw assembly - - - - -	1093704	7	7	7
Nut assembly - - - - -	1277359	7	7	7
Plug - underbody fuel gauge inspection hole -	1248673	1	1	1
Plug - underbody master cylinder inspection hole R.H.D. - - - - -	1248673	1	1	1
Toe Board								
Assembly - upper - L.H.D. - - - - -	1279306	1	1	1	1	1	1	1
Assembly - upper - R.H.D. - - - - -	1279309	1	..	1	1	..	1	..
Assembly - upper - R.H.D. - - - - -	1397731	..	1	1	..	1
Assembly - lower - L.H.D. - - - - -	1276605	1	1	1	1	1	1	1
Assembly - lower - R.H.D. - - - - -	1276609	1	1	1	1	1	1	1
Screw assembly - - - - -	1093704	12	12	12	8	8	8	8
Nut assembly - - - - -	1277359	12	12	12	8	8	8	8
Seal plate - steering column - L.H.D. - - - - -	1279318	1	..	1	1	..	1	..
Seal plate - steering column - L.H.D. - - - - -	1279322	..	1	1	..	1
Seal plate - steering column - R.H.D. - - - - -	1279320	1	..	1	1	..	1	..
Seal plate - steering column - R.H.D. - - - - -	1279324	..	1	1	..	1
Screw - - - - -	188076	*	*	*	*	*	*	*
Plainwasher - - - - -	131015	*	*	*	*	*	*	*
Pad - clutch and brake pedal stop - - - - -	1397679	*	..	*	*	..	*	..
Rivet - - - - -	113358	*	..	*	*	..	*	..
Floor Board								
Strip - side finish - front - right - - - - -	1197028	1
Strip - side finish - front - left - - - - -	1197029	1

GROUP 23 - BODY

23-15

PART NAME	PART NO.	BODY SYMBOLS						
		CAB		PANEL	F.F.	COWL	W.S.	COWL
		5112	5122	5113	5110	5120	5111	5121
GROUP 23-E FLOOR (CONT'D)								
Floor Board (Cont'd)								
Strip - side finish - rear - right - - - - -	1197073	1
Strip - side finish - rear - left - - - - -	1197074	1
Strip - side finish - wheelhouse - front - right	1197004	1
Strip - side finish - wheelhouse - front - left	1197005	1
Strip - side finish - wheelhouse - center - -	1197012	2
Strip - side finish - wheelhouse - rear - right	1197008	1
Strip - side finish - wheelhouse - rear - left	1197009	1
Screw and washer assembly -(5/16"-18 x 1 1/2")	1279924	22
Screw and washer assembly -(5/16"-18 x 1 1/4")	1279923	1
Nut assembly - (5/16" - 18)	1279919	23
Skid strip - - - - -	1277357	2
Screw and washer assembly -(5/16"-18 x 1 1/2")	1279924	16
Nut - (5/16" - 18)	120376	6
Lockwasher - - - - -	1097771	6
Nut assembly - (5/16" - 18)	1279919	10
Screw assembly-floor board-(5/16"-18 x 1 1/4")	1279923	5
Screw assembly-floor board-(5/16"-18 x 1 1/2")	1279924	7
Nut assembly - floor board - (5/16" - 18)	1279919	12
Tail Pipe Floor Board Insulator								
Insulator - - - - -	715388	1
Screw - - - - -	130133	4
Plainwasher - - - - -	120385	4
Floor Mat								
Mat - - - - -	1197575	1	1	1
Under Body Tool Box And Battery Cover								
Battery cover assembly - - - - -	1097855	1	1	1
Tool box cover assembly - - - - -	1097852	1
Body Hold Down Bolt								
Bolt - 5/8" - 20 x 2 3/4" - - - - -	1276972	1	1
Bolt - 1/2" - 20 x 4" - - - - -	1276973	*	*
Bolt - 1/2" - 20 x 5" - - - - -	1279417	2	2
Bolt - 1/2" - 13 x 4 1/2" - - - - -	126817	8
Bolt - 1/2" - 20 x 2 1/2" - - - - -	1097758	2	2	4	2	2	2	2
Nut - 1/2" - 20 - - - - -	120371	3	3	12	2	2	2	2
Nut - 5/8" - 18 - - - - -	121358	1	1
Lockwasher - - - - -	120384	3	3	12	2	2	2	2
Lockwasher - - - - -	121754	1	1
Plainwasher - - - - -	1097757	4	4	2	2	2	2	2
Plainwasher - - - - -	1197077	2	2	6	2	2	2	2
Plainwasher - - - - -	1199331	2	2
Plate - Note 1 - - - - -	736036	6
Plate - Note 1 - - - - -	797273	2
Plate - Note 2 - - - - -	1398245	8
Body To Frame Insulator								
Insulator - 2 3/8 O.D. - 11/16" I.D. - - - - -	1275737	3	3
Insulator - 1 1/2" O.D. - 11/64" I.D. - - - - -	1195396	4	4	4	2	2	2	2
Bushing assembly - - - - -	1275738	3	3
Bushing assembly - - - - -	1275010	1	1
Spacer - - - - -	1097757	*	*	*	*	*	*	*
Clutch And Brake Pedal Draft Pad								
Pad - - - - -	344112	2	2	2	2	2	2	2

GROUP 23 - BODY

PART NAME	PART NO.	BODY SYMBOLS						
		CAB		PANEL	F.F.	COWL	W.S.	COWL
		5112	5122	5113	5110	5120	5111	5121
GROUP 23-F FRONT DOOR								
Front Door Shell Assembly								
Right - prime - - - - -	1278617	1	1	1	
Left - prime - - - - -	1278618	1	1	1	
Front Door Outside Repair Panel								
Right - - - - -	1278633	1	1	1	
Left - - - - -	1278634	1	1	1	
Front Door Check Arm								
Assembly - - - - -	1396311	2	2	2	
Rivet - - - - -	1397642	2	2	2	
Guide - - - - -	1197138	2	2	2	
Rivet - - - - -	104068	4	4	4	
Bracket - - - - -	1097872	2	2	2	
Front Door Hinge								
Upper - right - door half - - - - -	1275784	1	1	1	
Upper - left - door half - - - - -	1275785	1	1	1	
Lower - door half - - - - -	1097017	2	2	2	
Upper - right - body half - - - - -	1279794	1	1	1	
Upper - left - body half - - - - -	1279795	1	1	1	
Lower - body half - - - - -	1097016	2	2	2	
Rivet - to door - - - - -	104266	16	16	16	
Screw and washer assembly - to body - - - - -	1275657	16	16	16	
Pin - - - - -	1275724	4	4	4	
Front Door Lock And Handle								
Lock assembly - right - - - - -	1097588	1	1	1	
Lock assembly - left - - - - -	1097589	1	1	1	
Spring - bolt - - - - -	1197092	2	2	2	
Spring - handle return - - - - -	1280285	2	2	2	
Screw assembly - - - - -	1097967	6	6	6	
Remote control assembly - right - - - - -	1097590	1	1	1	
Remote control assembly - left - - - - -	1097591	1	1	1	
Screw and washer assembly - - - - -	1197018	6	6	6	
Remote control link - right - - - - -	1097647	1	1	1	
Remote control link - left - - - - -	1097648	1	1	1	
Rivet - to lock - - - - -	1197090	2	2	2	
Striker - lock pillar - - - - -	1199842	2	2	2	
Screw and washer assembly - - - - -	1199843	4	4	4	
Handle - outside - - - - -	1097693	2	2	2	
Screw - - - - -	134289	4	4	4	
Handle - inside or remote control - Note 3 - - - - -	745204	2	2	2	
Handle - inside or remote control - Note 4 - - - - -	1278534	2	2	2	
Escutcheon assembly - metal - Note 1 - - - - -	1277049	2	2	2	
Escutcheon assembly - plastic - Note 1 - - - - -	1396660	2	2	2	
Escutcheon assembly - Note 2 - - - - -	1397517	2	2	2	
Pin - - - - -	724797	2	2	2	
Front Door Lock Cylinder And Key								
Lock cylinder and key assembly - - - - -	1311195	1	1	1	
Key - cut - - - - -	1158623	*	*	*	
Key - Blanc - - - - -	1233112	*	*	*	
Reinforcement assembly - - - - -	950508	1	1	1	
Set screw - - - - -	126135	1	1	1	
Service package - includes front door and ignition lock cylinders and keys - - - - -	1194646	1	1	
Service package - includes front door rear door and ignition lock cylinders and keys - - - - -	1194647	1	

PART NAME	PART NO.	BODY SYMBOLS						
		CAB		PANEL	F.F.	COWL	W.S.	COWL
		5112	5122	5113	5110	5120	5111	5121
GROUP 23-F FRONT DOOR (CONT'D)								
Front Door Window Regulator And Handle								
Regulator assembly - right - - - - -	1097106	1	1	1	
Regulator assembly - left - - - - -	1097107	1	1	1	
Screw and washer assembly - - - - -	1197018	10	10	10	
Handle - Note 3 - - - - -	1278658	2	2	2	
Handle - Note 4 - - - - -	1278535	2	2	2	
Escutcheon assembly - metal - Note 1 - - -	1277049	2	2	2	
Escutcheon assembly - plastic - Note 1 - -	1396660	2	2	2	
Escutcheon assembly - Note 2 - - - - -	1397517	2	2	2	
Pin - - - - -	724797	2	2	2	
Front Door Dovetail And Weatherseal								
Dove tail - male - - - - -	1097851	2	2	2	
Screw - - - - -	134422	4	4	4	
Lockwasher - - - - -	138604	4	4	4	
Dove tail assembly - lock pillar - female - -	1097850	2	2	2	
Rivet - - - - -	114760	4	4	4	
Weatherseal - lock pillar - - - - -	1198974	2	2	2	
Weatherseal - hinge pillar - - - - -	1276305	2	2	2	
Weatherseal - lower rear corner - right - - -	1279767	1	1	1	
Weatherseal - lower rear corner - left - - -	1279768	1	1	1	
Weatherseal - lower - - - - -	1398580	2	2	2	
Screw - lower weatherseal - - - - -	125591	14	14	14	
Front Door Inside Panel Inspection Cover								
Cover - - - - -	1275128	2	2	2	
Screw - - - - -	271074	12	12	12	
Lockwasher - - - - -	125775	12	12	12	
Front Door Window - Without Vent								
Glass - standard - - - - -	1097823	2	2	2	
Glass - solex - - - - -	1398349	2	2	2	
Bumper - - - - -	797913	6	6	6	
Weatherstrip assembly - outside panel - right	1097651	1	1	1	
Weatherstrip assembly - outside panel - left	1097652	1	1	1	
Lower channel assembly - right - - - - -	1097824	1	1	1	
Lower channel assembly - left - - - - -	1097825	1	1	1	
Retainer - to regulator - - - - -	1234457	4	4	4	
Filler - - - - -	1197329	2	2	2	
Front channel assembly - - - - -	1097947	2	2	2	
Screw - - - - -	151374	6	6	6	
J/Nut - - - - -	1275373	6	6	6	
Lockwasher - - - - -	120380	6	6	6	
Rear channel assembly - right - - - - -	1097636	1	1	1	
Rear channel assembly - left - - - - -	1097637	1	1	1	
Pin - front - - - - -	1097948	2	2	2	
Rivet - - - - -	113194	4	4	4	
Run - - - - -	1097887	2	2	2	
Clip - - - - -	797944	8	8	8	
Front Door Window - With Vent								
Glass - rear - standard - - - - -	1096982	2	2	2	
Glass - rear - solex - - - - -	1398355	2	2	2	
Weatherstrip assembly - outside panel - right	1097890	1	1	1	
Weatherstrip assembly - outside panel - left	1097891	1	1	1	
Lower channel assembly - right - - - - -	1097829	1	1	1	
Lower channel assembly - left - - - - -	1097830	1	1	1	
Filler - - - - -	1097867	2	2	2	
Front channel assembly - right - - - - -	1197021	1	1	1	
Front channel assembly - left - - - - -	1197022	1	1	1	
Screw assembly - - - - -	1278052	4	4	4	
Nut - - - - -	121743	4	4	4	
Lockwasher - - - - -	1097901	4	4	4	

GROUP 23 - BODY

PART NAME	PART NO.	BODY SYMBOLS						
		CAB		PANEL	F.F.	COWL	W.S.	COWL
		5112	5122	5113	5110	5120	5111	5121
GROUP 23-F FRONT DOOR (CONT'D)								
Front Door Window - With Vent (Cont'd)								
Rear channel assembly - right	1097636	1	1	1
Rear channel assembly - left	1097637	1	1	1
Run - front	1097889	2	2	2
Run - glass	1097888	2	2	2
Division bar assembly - right	909278	1	1	1
Division bar assembly - left	909279	1	1	1
Screw - to lower channel	155178	4	4	4
Lockwasher	138479	4	4	4
Weatherstrip - right	909314	1	1	1
Weatherstrip - left	909284	1	1	1
Rivet	131284	8	8	8
Front Door Vent Wing								
Frame assembly - right	1097520	1	1	1
Frame assembly - left	1097521	1	1	1
Pivot - lower - right	1097640	1	1	1
Pivot - lower - left	1097641	1	1	1
Rivet	118140	4	4	4
Stop	1096790	4	4	4
Thrust washer	1096333	4	4	4
Spring	849765	2	2	2
Nut	120368	2	2	2
Hinge - female - upper - right	1097944	1	1	1
Hinge - female - upper - left	1097945	1	1	1
Rivet	120743	4	4	4
Hinge - male - upper - right	1097276	1	1	1
Hinge - male - upper - left	1097277	1	1	1
Screw	141897	4	4	4
Shaft and bracket assembly - handle	850664	2	2	2
Shaft - handle	767693	2	2	2
Rivet - bracket	118140	4	4	4
Handle - locking - right	1096117	1	1	1
Handle - locking - left	1096118	1	1	1
Pin	142952	2	2	2
Washer	764211	2	2	2
Key	792416	2	2	2
Spring	763705	2	2	2
Button	893672	2	2	2
Glass - vent wing - standard	1097538	2	2	2
Glass - vent wing - solex	1398360	2	2	2
Retainer assembly - right	1097527	1	1	1
Retainer assembly - left	1097528	1	1	1
Rivet - lower pivot	118140	8	8	8
Screw - to door	161623	8	8	8
Screw - to run channel	132969	4	4	4
Locking bracket	1197015	2	2	2
Rivet	118140	4	4	4
Weatherstrip - right	1097536	1	1	1
Weatherstrip - left	1097537	1	1	1
GROUP 23-G REAR DOOR								
Rear Door Shell - Prime								
Assembly - right	1197135	1
Assembly - left	1278714	1
Rear Door-Complete With Glass And Hardware-Prime								
Assembly - right	1197133	1
Assembly - left	1278713	1

GROUP 23 - BODY

23-19

PART NAME	PART NO.	BODY SYMBOLS						
		CAB		PANEL	F.F.	COWL	W.S.	COWL
		5112	5122	5113	5110	5120	5111	5121
GROUP 23-F FRONT DOOR (CONT'D)								
Rear Door Check Arm								
Assembly - right - - - - -	1197126	1
Assembly - left - - - - -	1197127	1
Screw - to door - - - - -	120628	4
Screw - to header - - - - -	121887	4
Lockwasher - - - - -	120380	8
Bumper - - - - -	875656	2
Rear Door Hinge								
Hinge - door half - - - - -	1097011	4
Hinge - body half - - - - -	1097010	4
Rivet - to door - - - - -	118061	12
Screw and washer - to body - - - - -	1275657	12
Pin - - - - -	708167	4
Rear Door Lock And Handle								
Lock and remote control assembly - right - - -	1097914	1
Lock assembly - left - - - - -	785035	1
Screw - - - - -	123854	18
Lockwasher - - - - -	138597	18
Striker - door header - - - - -	1097281	2
Screw - - - - -	120585	4
Lockwasher - - - - -	120380	4
Striker - on floor - - - - -	1097280	1
Screw - - - - -	121797	2
Lockwasher - - - - -	120380	2
Handle - outside - - - - -	1097694	1
Screw - - - - -	134289	2
Screw - - - - -	120221	1
Lockwasher - - - - -	120217	1
Plainwasher - - - - -	120391	1
Lock cylinder and key assembly - - - - -	1311195	1
Key - cut - - - - -	1158623	*
Key - blank - - - - -	1233112	*
Reinforcement assembly - - - - -	950508	1
Set screw - - - - -	126135	1
Service package - includes rear door, front door and ignition lock cylinders and keys. - - -	1194647	1
Rear Door Dovetail and Wedge								
Dovetail assembly - female - - - - -	1097850	1
Rivet - - - - -	104068	2
Dovetail - male - - - - -	1097851	1
Screw - - - - -	134422	2
Lockwasher - - - - -	120380	2
Wedge - upper - door half - - - - -	989513	1
Wedge - lower - door half - - - - -	951137	1
Screw - - - - -	133645	4
Lockwasher - - - - -	138597	4
Spacer - - - - -	705320	4
Wedge assembly - body half - - - - -	705318	1
Screw - - - - -	133645	2
Lockwasher - - - - -	138597	2
Cover - - - - -	715352	1
Plate - wedge to floor - - - - -	711245	1
Screw - - - - -	133645	2
Lockwasher - - - - -	120380	2
Rear Door Weatherseal								
Weatherseal - - - - -	1279335	2
Weatherseal-Centre - - - - -	1097978	1
Fastener - - - - -	1097557	16

GROUP 23 - BODY

PART NAME	PART NO.	BODY SYMBOLS						
		CAB		PANEL	F.F.	COWL	W.S.	COWL
		5112	5122	5113	5110	5120	5111	5121
GROUP 23-G REAR DOOR (CONT'D)								
Rear Door Window								
Glass-standard - - - - -	1096983	2
Glass - solex - - - - -	1398373	2
Weatherstrip - - - - -	1097835	2
GROUP 23-H SEAT								
SPECIAL NOTE:	For panel trucks equipped with full width passenger car type seat with split back or full width car type seat see parts following Notes "A" and "B" respectively.							
Seat - Bucket Type								
Assembly - driver - imitation leather - L.H.D.								
Note 1 - - - - -	1279627	1
Assembly - driver - imitation leather - R.H.D.								
Note 1 - - - - -	1279628	1
Assembly - driver - imitation leather - - - -								
Note 2 - - - - -	1397974	1
Assembly - driver - mohair - L.H.D. - Note 5	1107319	1
Assembly - driver - mohair - L.H.D. - Note 6	1510621	1
Assembly - passenger - imitation leather - L.H.D.								
Note 1 - - - - -	1279647	1
Assembly - passenger - imitation leather - L.H.D.								
Note 2 - - - - -	1397981	1
Assembly - passenger - imitation leather - R.H.D.								
Note 1 - - - - -	1279648	1
Assembly - passenger - imitation leather - R.H.D.								
Note 2 - - - - -	1397982	1
Assembly - passenger - mohair - L.H.D. - Note 5	1107325	1
Assembly - passenger - mohair - L.H.D. - Note 6	1510627	1
Support assembly - front - L.H.D. - - - - -	1197535	2
Support assembly - front - right - R.H.D. -								
Note 1 - - - - -	1097621	1
Support assembly - front - left - R.H.D. -								
Note 1 - - - - -	1097622	1
Support assembly - front - Note 2 - - - - -	1197535	2
Screw - to underbody - - - - -	1096643	4
J/Nut - - - - -	1197429	4
Clevis pin - - - - -	556906	2
Cotter pin - - - - -	108636	2
Seat Regulator								
Assembly - right - - - - -	1275440	1	1
Assembly - left - - - - -	1275441	1	1
Assembly - right - L.H.D. - Note 1 - - - - -	1279066	1
Assembly - left - L.H.D. - Note 1 - - - - -	1279067	1
Assembly - right - R.H.D. - Note 1 - - - - -	1279068	1
Assembly - left - R.H.D. - Note 1 - - - - -	1279069	1
Assembly - right - Note 2 - - - - -	1279066	1
Assembly - left - Note 2 - - - - -	1279067	1
Control rod - right - - - - -	1275797	1	1
Control rod - left - - - - -	1275798	1	1
Tie rod - - - - -	1197039	1
Handle - - - - -	1277749	1	1
Lever - - - - -	1275796	1	1
Cotter pin - - - - -	107761	1	1
Plainwasher - - - - -	120387	2	2
Spring - - - - -	1199829	2
Spring - - - - -	1275455	2	2
Screw - riser bracket to riser - - - - -	120741	8	8
Nut - - - - -	120368	8	8
Lockwasher - - - - -	120380	8	8

GROUP 23 - BODY

PART NAME	PART NO.	BODY SYMBOLS						
		CAB		PANEL	F.F.	COWL	W.S.	COWL
		5112	5122	5113	5110	5120	5111	5121
GROUP 23-H SEAT (CONT'D)								
Seat Regulator (Cont'd)								
Nut - to seat frame - - - - -	120368	8	8	
Lockwasher - - - - -	120214	8	8	
Screw - to seat cushion pan - - - - -	151384	4	
Nut - - - - -	657413	4	
Lockwasher - - - - -	120214	4	
Seat Cushion								
Assembly - imitation leather - Note 1 - - - -	1279635	1	1	
Assembly - imitation leather - Note 2 - - - -	1396690	1	1	
Assembly - imitation leather - with foam pad -								
No spring - Note 1 - - - - -	1279849	1	1	
Assembly - imitation leather - with foam pad -								
no spring - Note 2 - - - - -	1397059	1	1	
Assembly - genuine leather - Note 1 - - - - -	1279846	1	1	
Assembly - genuine leather - Note 2 - - - - -	1397057	1	1	
Assembly - genuine leather - with foam pad - no								
spring - Note 1 - - - - -	1279851	1	1	
Assembly - genuine leather - with foam pad - no								
spring - Note 2 - - - - -	1397063	1	1	
Assembly - mohair - with foam pad - no spring -								
Note 7 - - - - -	1104810	1	1	
Assembly - mohair - with foam pad - no spring -								
Note 8 - - - - -	1510617	1	1	
Assembly - mohair - with foam pad - no spring -								
Note 9 - - - - -	1107301	1	1	
Assembly - mohair - less foam pad - with spring	1105475	1	1	
Assembly - imitation leather - driver - Note 1	1279631	1	
Assembly - imitation leather - driver - Note 2	1397977	1	
Assembly - imitation leather - passenger - Note 1	1279649	1	
Assembly - imitation leather - passenger - Note 2	1397983	1	
Assembly - mohair - driver - Note 5 - - - - -	1107323	1	
Assembly - mohair - driver - Note 6 - - - - -	1510625	1	
Assembly - mohair - passenger - Note 5 - - - -	1107326	1	
Assembly - mohair - passenger - Note 6 - - - -	1510628	1	
Spring assembly - - - - -	1275438	1	1	
Spring assembly - - - - -	1275213	1	
Cover assembly - imitation leather - Note 1	1279637	1	1	
Cover assembly - imitation leather - Note 2	1396692	1	1	
Cover assembly - imitation leather - with								
foam pad - no springs - Note 1 - - - - -	1396663	1	1	
Cover assembly - imitation leather - with								
foam pad - no springs - Note 2 - - - - -	1397060	1	1	
Cover assembly - genuine leather - Note 1 -	1279847	1	1	
Cover assembly - genuine leather - Note 2 -	1397058	1	1	
Cover assembly - genuine leather - with foam								
pad - no springs - Note 1 - - - - -	1396664	1	1	
Cover assembly - genuine leather - with foam								
pad - no springs - Note 2 - - - - -	1397064	1	1	
Cover assembly - mohair - use with 1104810 -								
Note 7 - - - - -	1103043	1	1	
Cover assembly - mohair - use with 1510617 -								
Note 8 - - - - -	1510618	1	1	
Cover assembly - mohair - use with 1107301 -								
Note 9 - - - - -	1107299	1	1	
Cover assembly - mohair - use with 1105475	1105474	1	1	
Cover assembly - imitation leather - Note 1	1279633	1	
Cover assembly - imitation leather - Note 2	1397985	1	
Cover assembly - mohair - Note 5 - - - - -	1107324	1	
Cover assembly - mohair - Note 6 - - - - -	1510626	1	
Fastener - pad support - - - - -	741923	36	36	24	
Clip - cover - - - - -	708267	35	

GROUP 23 - BODY

PART NAME	PART NO.	BODY SYMBOLS						
		CAB		PANEL	F.F.	COWL	W.S.	COWL
		5112	5122	5113	5110	5120	5111	5121
GROUP 23-H SEAT (CONT'D)								
Seat Back								
Assembly - imitation leather - Note 1 - - -	1279629	1
Assembly - imitation leather - Note 2 - - -	1397976	1
Assembly - mohair - Note 5 - - - - - - - - -	1107320	1
Assembly - mohair - Note 6 - - - - - - - - -	1510622	1
Seat Back Cushion								
Assembly - imitation leather - Note 1 - - -	1279634	1	1
Assembly - imitation leather - Note 2 - - -	1396689	1	1
Assembly - imitation leather - with foam pad - no spring - Note 1 - - - - - - - - -	1279848	1	1
Assembly - imitation leather - with foam pad Note 2 - - - - - - - - -	1397062	1	1
Assembly - genuine leather - Note 1 - - - -	1279842	1	1
Assembly - genuine leather - Note 2 - - - -	1397054	1	1
Assembly - genuine leather - with foam pad - No springs - Note 1 - - - - - - - - -	1279850	1	1
Assembly - genuine leather - with foam pad - Note 2 - - - - - - - - -	1397065	1	1
Assembly - mohair - use with 1104810 seat cushion - Note 7 - - - - - - - - -	1104811	1	1
Assembly - mohair - use with 1510617 seat cushion - Note 8 - - - - - - - - -	1510619	1	1
Assembly - mohair - use with 1107301 seat cushion - Note 9 - - - - - - - - -	1107302	1	1
Assembly - mohair - use with 1105475 seat cushion - - - - - - - - -	1105476	1	1
Assembly - imitation leather - Note 1 - - -	1279630	1
Assembly - imitation leather - Note 2 - - -	1396705	1
Assembly - mohair - Note 5 - - - - - - - - -	1107321	1
Assembly - mohair - Note 6 - - - - - - - - -	1510623	1
Spring assembly - use with leather cushion less foam pad - - - - - - - - -	1275436	1	1
Spring assembly - use with leather cushion with foam pad - - - - - - - - -	1276678	1	1
Spring assembly - use with mohair cushion	1276678	1	1
Spring assembly - - - - - - - - -	902859	1
Cover assembly - imitation leather - Note 1	1279636	1	1
Cover assembly - imitation leather - Note 2	1396691	1	1
Cover assembly - genuine leather - Note 1	1279843	1	1
Cover assembly - genuine leather - Note 2	1397055	1	1
Cover assembly - mohair - use with 1104811 Note 7 - - - - - - - - -	1103044	1	1
Cover assembly - mohair - use with 1510619 Note 8 - - - - - - - - -	1510620	1	1
Cover assembly - mohair - use 1107302 - Note 9 - - - - - - - - -	1107300	1	1
Cover assembly - mohair - use 1105476 -	1103043	1	1
Cover assembly - Note 1 - - - - - - - - -	1279632	1
Cover assembly - Note 2 - - - - - - - - -	1396708	1
Cover assembly - mohair - Note 5 - - - -	1107322	1
Cover assembly - mohair - Note 6 - - - -	1510624	1
Fastener - - - - - - - - -	741923	20	20	25
Seat Attaching Parts								
Screw - seat back cushion spring to panel -	151384	2
Nut - - - - - - - - -	120368	2
Lockwasher - - - - - - - - -	1094595	2
NOTE A:	Parts following this note are for panel trucks equipped with full width passenger car type seat with split back.							

GROUP 23 - BODY

PART NAME	PART NO.	BODY SYMBOLS						
		CAB		PANEL	F.F.	COWL	W.S.	COWL
		5112	5122	5113	5110	5120	5111	5121
GROUP 23-H SEAT (CONT'D)								
Seat Trimmed								
Assembly complete - less cushion - imitation leather - Note 5 - - - - -	1107045	1
Assembly complete - less cushion - imitation leather - Note 6 - - - - -	1107451	1
Seat Cushion								
Assembly - imitation leather - Note 5 - - - - -	1107046	1
Assembly - imitation leather - Note 6 - - - - -	1107542	1
Spring assembly - Note 5 - - - - -	1106280	1
Spring assembly - Note 6 - - - - -	1107037	1
Cover assembly - - - - -	1143986	1
Seat Back Cushion								
Assembly - imitation leather - right - Note 5 - - - - -	1107048	1
Assembly - imitation leather - left - Note 5 - - - - -	1107049	1
Assembly - imitation leather - right - Note 6 - - - - -	1107544	1
Assembly - imitation leather - left - Note 6 - - - - -	1107545	1
Spring assembly - right - Note 5 - - - - -	1106281	1
Spring assembly - left - Note 5 - - - - -	1106282	1
Spring assembly - right - Note 6 - - - - -	1107038	1
Spring assembly - left - Note 6 - - - - -	1107039	1
Cover assembly - right - Note 5 - - - - -	1143987	1
Cover assembly - left - Note 5 - - - - -	1143988	1
Cover assembly - right - Note 6 - - - - -	1133205	1
Cover assembly - left - Note 6 - - - - -	1133206	1
Seat Outside Shield Cover								
Assembly - imitation leather - right - - - - -	1143873	1
Assembly - imitation leather - left - - - - -	1143874	1
Seat Frame Rear Center Section Cover								
Assembly - imitation leather - - - - -	1143875	1
Seat Back Toe Riser End Cover								
Assembly - imitation leather - right - - - - -	1143851	1
Assembly - imitation leather - left - - - - -	1143852	1
Assembly - imitation leather - inner - right - - - - -	1143857	1
Assembly - imitation leather - inner - left - - - - -	1143858	1
Seat Guide								
Assembly - right - - - - -	1367982	1
Assembly - left - - - - -	1367983	1
Nut - to seat - - - - -	120368	6
Lockwasher - - - - -	120214	6
Plainwasher - - - - -	128051	6
Screw - to floor pan - - - - -	120229	8
Lockwasher - - - - -	138538	8
Lever and bracket assembly - - - - -	1245507	1
Screw bracket to seat - - - - -	121900	2
Lockwasher - - - - -	121753	2
Spring - - - - -	907875	1
Handle - - - - -	951886	1
Screw - - - - -	151538	1
Escutcheon - - - - -	907324	1
Rod - lock connector - - - - -	1245504	1
Nut - adjusting - - - - -	975003	1
Cotter pin - - - - -	112726	1
Spring - tension - Note 6 - - - - -	1234369	2

GROUP 23 - BODY

PART NAME	PART NO.	BODY SYMBOLS						
		CAB		PANEL	F.F.	COWL	W.S.	COWL
		5112	5122	5113	5110	5120	5111	5121
GROUP 23-H SEAT (CONT'D)								
Seat Back Hinge								
Bracket assembly - outer hinge - right - - - -	1303481	1
Bracket assembly - outer hinge - left - - - -	1303482	1
Pin - outer hinge - - - - -	1247729	2
Retainer - - - - -	1304333	2
Washer - - - - -	1247817	2
Bracket assembly - center hinge - - - - -	1303680	1
Cotter pin - hinge - - - - -	103373	2
Seat Bottom Frame Back Stop Bracket								
Bolt - adjusting - - - - -	1247625	2
Nut - - - - -	124925	2
NOTE B: Parts following this note are for panel trucks equipped with full width cab type seat.								
Seat Cushion								
Assembly - imitation leather - - - - -	1279635	1
Assembly - imitation leather - with foam pad - no springs - - - - -	1279849	1
Spring assembly - - - - -	1275438	1
Cover assembly - - - - -	1279637	1
Fasteners - pad and support - - - - -	741923	12
Seat Back Cushion								
Assembly - imitation leather - - - - -	1107127	1
Assembly - imitation leather - with foam pad - no spring - - - - -	1279848	1
Spring assembly - - - - -	1105077	1
Cover assembly - - - - -	1279636	1
Fastener - pad - - - - -	741923	8
Seat Regulator								
Assembly - right - - - - -	1275440	1
Assembly - left - - - - -	1275441	1
Nut - regulator screw - - - - -	120368	8
Lockwasher - - - - -	120214	8
Screw - to riser bracket to riser - - - - -	120741	8
Nut - - - - -	120368	8
Lockwasher - - - - -	120214	8
Control rod - right - - - - -	1275797	1
Control rod - left - - - - -	1275798	1
Handle - - - - -	1277749	1
Plainwasher - - - - -	120387	2
Cotter pin - - - - -	103363	2
Lever - - - - -	1275796	1
Ratchet spring - - - - -	1275455	2
GROUP 23-I TRIM								
Front Door Trim Panel								
Assembly - right - Note 1 - Note 10 - - - - -	1278647	1	1	1
Assembly - left - Note 1 - Note 10 - - - - -	1278648	1	1	1
Assembly - right - Note 1 - Note 11 - - - - -	1396283	1	1	1
Assembly - left - Note 1 - Note 11 - - - - -	1396284	1	1	1
Assembly - right - Note 2 - - - - -	1397930	1	1	1
Assembly - left - Note 2 - - - - -	1397931	1	1	1
Screw - - - - -	271161	20	20	20
Washer - - - - -	140259	20	20	20

PART NAME	PART NO.	BODY SYMBOLS						
		CAB		PANEL	F.F.	COWL	W.S.	COWL
		5112	5122	5113	5110	5120	5111	5121
GROUP 23-I TRIM (CONT'D)								
Cowl Trim Panel								
Assembly - right - Note 1 - - - - -	1279420	1	1	1	1	1
Assembly - left - Note 1 - - - - -	1279421	1	1	1	1	1
Assembly - right - Note 2 - - - - -	1397910	1	1	1
Assembly - left - Note 2 - - - - -	1397911	1	1	1
Fastener - Note 1 - - - - -	1197667	6	6	6	6	6
Fastener - Note 2 - - - - -	1397967	6	6	6
Dash Liner								
Assembly - - - - -	1275774	1	1	1	1	1	1	1
Fastener - - - - -	1199166	12	12	12	12	12	12	12
Roof Headlining Trim Panel								
Assembly - Note 1 - - - - -	1279367	1	1
Assembly - Note 2 - - - - -	1397922	1	1
Assembly - Note 1 - - - - -	1279370	1
Assembly - Note 2 - - - - -	1397927	1
Screw - - - - -	148545	1	1	2
Washer - - - - -	140259	1	1	2
Fastener - Note 1 - - - - -	1279345	4	4	12
Fastener - Note 2 - - - - -	1397968	4	4	14
Felt pad - - - - -	772414	*
Rear Trim Panel								
Assembly - Note 1 - - - - -	1279425	1	1
Assembly - Note 2 - - - - -	1397915	1	1
Fastener - Note 1 - - - - -	1279349	9	9
Fastener - Note 1 - - - - -	1279345	9	9
Fastener - Note 2 - - - - -	1397968	9	9
Fastener - Note 2 - - - - -	1397969	9	9
Front Door Arm Rest								
Assembly - Note 1 - - - - -	1279595	1	1	1
Assembly - Note 2 - - - - -	1397519	1	1	1
Screw - - - - -	271141	2	2	2
Nut assembly - - - - -	120367	2	2	2
Windshield Sun Visor								
NOTE: For vehicles equipped with dual visor order as shown below: For vehicles equipped with single visor order as required.								
Panel assembly - Note 1 - - - - -	1279971	2	2	2
Panel assembly - Note 2 - - - - -	1397950	2	2	2
Clip corner - - - - -	460955	2	2	2
Arm assembly - right - chrome - - - - -	1277065	1	1	1
Arm assembly - left - chrome - - - - -	1277066	1	1	1
Arm assembly - right - brown - - - - -	1280288	1	1	1
Arm assembly - left - brown - - - - -	1280289	1	1	1
Spring - - - - -	466410	2	2	2
Washer - - - - -	466411	2	2	2
Screw - to header - - - - -	161904	6	6	6
Trim Material								
Imitation leather - Note 1 - - - - -	1279638	*	*	*
Imitation leather - Note 2 - - - - -	1396693	*	*	*
Genuine leather - Note 1 - - - - -	1396313	*	*	*
Genuine leather - Note 2 - - - - -	1397056	*	*	*
Mohair - Note 7 - - - - -	1103040	*	*
Mohair - Note 8 - - - - -	1510616	*	*
Mohair - Note 9 - - - - -	1107298	*	*

GROUP 23 - BODY

PART NAME	PART NO.	BODY SYMBOLS						
		CAB		PANEL	F.F.	COWL	W.S.	COWL
		5112	5122	5113	5110	5120	5111	5121
GROUP 23-I TRIM (CONT'D)								
Trim Material (Cont'd)								
Mohair - Note 5 - - - - -	1107298	::	::	*	::	::	::	
Mohair - Note 6 - - - - -	1510616	::	::	*	::	::	::	
GROUP 23-J WINDSHIELD								
Windshield								
Glass - standard - - - - -	1199999	2	2	2	::	::	2 2	
Glass - solex - - - - -	1398839	2	2	2	::	::	2 2	
Weatherstrip - - - - -	1097234	1	1	1	::	::	1 1	
Center bar - outside - - - - -	1097225	1	1	1	::	::	1 1	
Center bar - inside mirror - - - - -	1097930	1	1	1	::	::	1 1	
Screw - - - - -	446010	4	4	4	::	::	4 4	
Moulding - inside - - - - -	1097227	1	1	1	::	::	1 1	
Retainer - - - - -	1097229	1	1	1	::	::	1 1	
Garnish moulding - right - - - - -	1199454	1	1	1	::	::	1 1	
Garnish moulding - left - - - - -	1199455	1	1	1	::	::	1 1	
Screw - - - - -	168525	16	16	16	::	::	16 16	
Plug - - - - -	1097727	4	4	4	::	::	4 4	
GROUP 23-K WINDSHIELD WIPER								
Windshield Wiper Arm								
Assembly - right - - - - -	1274050	1	1	1	::	::	1 1	
Assembly - left - - - - -	1274051	1	1	1	::	::	1 1	
Windshield Wiper Blade								
Package - - - - -	1253398	2	2	2	::	::	2 2	
Windshield Wiper - Vacuum Type								
Motor assembly - - - - -	1274128	1	1	1	::	::	1 1	
Screw - mounting - - - - -	160680	2	2	2	::	::	2 2	
Lockwasher - - - - -	138486	2	2	2	::	::	2 2	
Mounting bracket - - - - -	1260766	1	1	1	::	::	1 1	
Nut - - - - -	120614	2	2	2	::	::	2 2	
Lockwasher - - - - -	138479	2	2	2	::	::	2 2	
Control cable assembly - - - - -	1274146	1	1	1	::	::	1 1	
Nut - mounting - - - - -	1195698	1	1	1	::	::	1 1	
Washer - - - - -	675877	1	1	1	::	::	1 1	
Knob assembly - Note 1 - - - - -	1148881	1	1	1	::	::	1 1	
Knob assembly - Note 2 - - - - -	1244788	1	1	1	::	::	1 1	
Spacer - - - - -	120392	1	1	1	::	::	1 1	
Link assembly - to pivot - right - - - - -	1273262	1	1	1	::	::	1 1	
Link assembly - to pivot - left - - - - -	1273263	1	1	1	::	::	1 1	
Bushing - - - - -	1239371	2	2	2	::	::	2 2	
Retainer - - - - -	837999	2	2	2	::	::	2 2	
Washer - - - - -	659998	4	4	4	::	::	4 4	
Pivot assembly - - - - -	1272371	2	2	2	::	::	2 2	
Pin - - - - -	110414	2	2	2	::	::	2 2	
Oiler screw - - - - -	134167	2	2	2	::	::	2 2	
Cover - - - - -	1194585	2	2	2	::	::	2 2	
Screw - - - - -	186487	4	4	4	::	::	4 4	
Gasket - - - - -	1241052	2	2	2	::	::	2 2	
Gasket - pivot to cover - - - - -	882926	2	2	2	::	::	2 2	
Tube - rubber - - - - -	611511	*	*	*	::	::	* *	
Hose - rubber - 50 ft. roll - - - - -	910154	*	*	*	::	::	* *	
Grommet - - - - -	120879	1	1	1	::	::	1 1	
Manifold tube assembly - - - - -	861574	1	::	1	::	::	1 1	
Manifold tube assembly - - - - -	861603	::	1	::	::	::	1 1	
Nut - - - - -	137397	1	2	1	::	::	1 2	
Nipple - - - - -	137405	1	1	1	::	::	1 1	
Elbow - - - - -	225810	::	1	::	::	::	1 1	

GROUP 23 - BODY

PART NAME	PART NO.	BODY SYMBOLS						
		CAB		PANEL	F.F.	COWL	W.S.	COWL
		5112	5122	5113	5110	5120	5111	5121
GROUP 23-K WINDSHIELD WIPER (CONT'D)								
Windshield Wiper - Electric Type								
Motor assembly - (For breakdown see "Internal Parts") - - - - -	1272340	1	1	1	1	1
Screw - mounting - - - - -	160680	2	2	2	2	2
Lockwasher - - - - -	138486	2	2	2	2	2
Bracket - mounting - - - - -	1261421	1	1	1	1	1
Screw - - - - -	132105	4	4	4	4	4
Washer - - - - -	120392	4	4	4	4	4
Grommet - - - - -	1260737	4	4	4	4	4
Switch assembly - - - - -	898571	1	1	1	1	1
Nut - mounting - - - - -	1195698	1	1	1	1	1
Washer - - - - -	675877	1	1	1	1	1
Knob assembly - Note 1 - - - - -	1148881	1	1	1	1	1
Knob assembly - Note 2 - - - - -	1501785	1	1	1	1	1
Cable - full gauge to switch - 10" of #14	385573	*	*	*	*	*
Terminal - - - - -	200393	1	1	1	1	1
Sleeve - - - - -	1264933	1	1	1	1	1
Terminal - - - - -	665151	1	1	1	1	1
Pivot assembly - - - - -	1272371	2	2	2	2	2
Pin - - - - -	110414	2	2	2	2	2
Oiler screw - - - - -	134167	2	2	2	2	2
Cover - - - - -	1194585	2	2	2	2	2
Screw - - - - -	186487	4	4	4	4	4
Gasket - - - - -	1241052	2	2	2	2	2
Gasket - pivot to cover	882926	2	2	2	2	2
Link - - - - -	1272410	2	2	2	2	2
Bushing - - - - -	1239371	2	2	2	2	2
Retainer - - - - -	837999	4	4	4	4	4
Washer - - - - -	659998	4	4	4	4	4
Windshield Wiper Electric Motor - Internal Parts								
Cover plate - - - - -	1138503	1	1	1	1	1
Gasket - - - - -	1262350	2	2	2	2	2
Screw - - - - -	131958	8	8	8	8	8
Lockwasher - - - - -	131095	8	8	8	8	8
Thru bolt - - - - -	1262341	2	2	2	2	2
Lockwasher - - - - -	131096	2	2	2	2	2
Brush - - - - -	866773	2	2	2	2	2
Spring - - - - -	864912	2	2	2	2	2
Crank arm - - - - -	1262367	2	2	2	2	2
Spring washer - - - - -	1262342	2	2	2	2	2
Thrust washer - - - - -	1262347	4	4	4	4	4
Gear - L.H. - - - - -	1262345	1	1	1	1	1
Gear - R.H. - - - - -	1262346	1	1	1	1	1
Key - - - - -	1262343	2	2	2	2	2
Plate - - - - -	1262344	1	1	1	1	1
Washer - - - - -	1390520	1	1	1	1	1
Lockwasher - - - - -	121637	2	2	2	2	2
Nut - - - - -	120375	2	2	2	2	2
Plunger - - - - -	1390521	1	1	1	1	1
Lead assembly - - - - -	1262351	1	1	1	1	1
Insulating tube - - - - -	1262352	1	1	1	1	1
Armature - - - - -	1262365	1	1	1	1	1
Thrust washer - drive end	1262353	*	*	*	*	*
Thrust washer - drive end and commutator end.	1262354	*	*	*	*	*
Thrust washer - drive end	1262355	*	*	*	*	*
Base plate and switch assembly	1262366	1	1	1	1	1
Switch cover assembly	1262357	1	1	1	1	1
Switch cover - - - - -	1262358	1	1	1	1	1
Grommet - - - - -	1262359	1	1	1	1	1
Commutator end head assembly	1262363	1	1	1	1	1
Drive end head assembly	1262364	1	1	1	1	1
Grommet - - - - -	1154359	1	1	1	1	1
Pole shoe screw - - - - -	133767	2	2	2	2	2
Field coil assembly - complete	1262360	1	1	1	1	1
Field coil - - - - -	1262361	1	1	1	1	1

