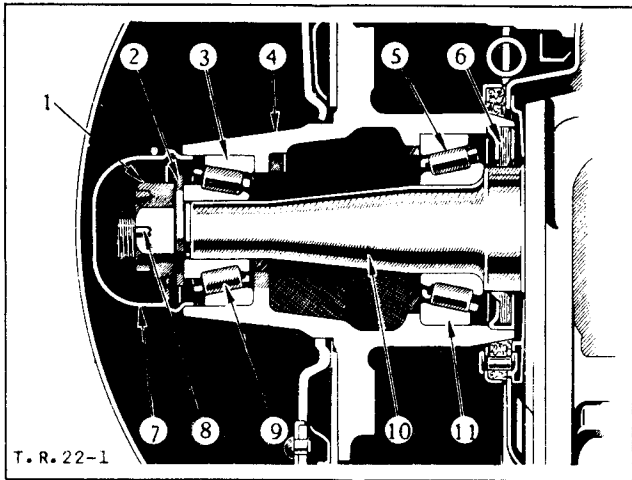


WHEELS

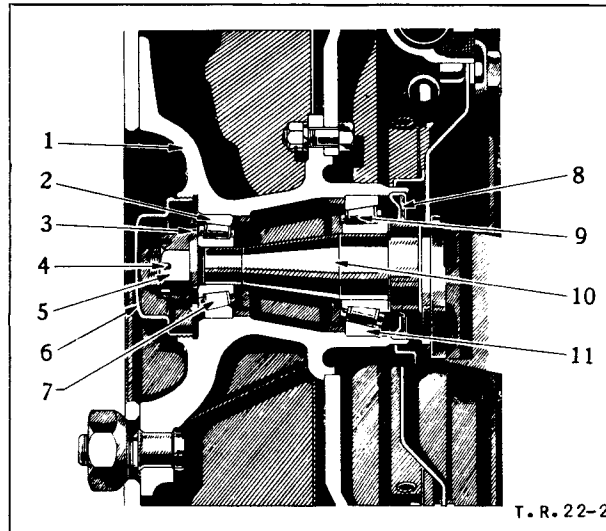
Plate 46

Plate 47

FRONT WHEEL



FRONT WHEEL



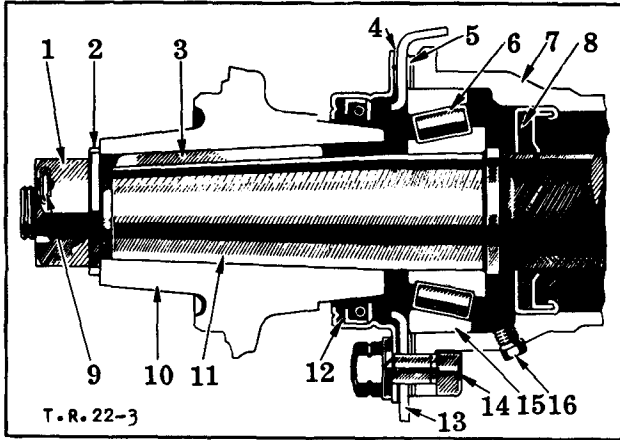
Ref. No.	Part Name	Group
1	Bearing nut.....	22-E
2	Bearing thrust washer.....	22-E
3	Outer bearing cup.....	22-E
4	Hub.....	22-C
5	Inner bearing cone and rollers.....	22-E
6	Hub dust seal.....	22-E
7	Grease cap.....	22-C
8	Bearing nut cotter pin.....	22-E
9	Outer bearing cone and rollers.....	22-E
10	Steering knuckle.....	2-C
11	Inner bearing cup.....	22-E

Ref. No.	Part Name	Group
1	Hub.....	22-C
2	Outer bearing cup.....	22-E
3	Bearing thrust washer.....	22-E
4	Bearing nut cotter pin.....	22-E
5	Bearing nut.....	22-E
6	Front wheel hub cap.....	22-C
7	Outer bearing cone and rollers.....	22-E
8	Hub dust seal.....	22-E
9	Inner bearing cone and rollers.....	22-E
10	Steering knuckle.....	2-C
11	Inner bearing cup.....	22-E

NOTES:

Plate 48

REAR WHEEL

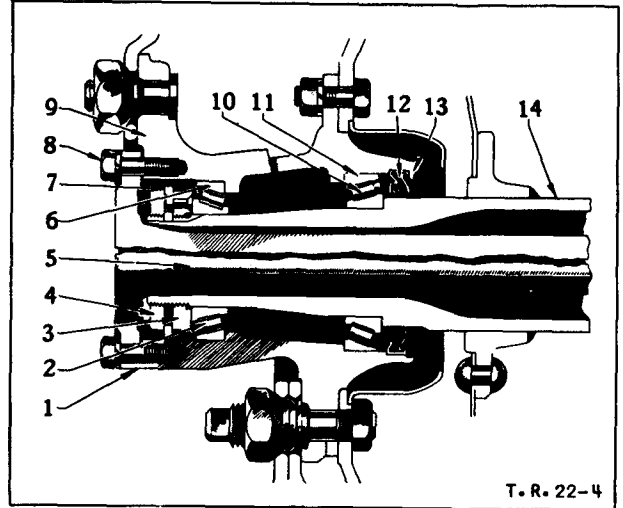


T.R. 22-3

Ref. No.	Part Name	Group
1	Rear axle drive shaft nut.....	3-F
2	Rear axle shaft nut washer.....	3-F
3	Rear axle drive shaft key.....	3-F
4	Rear axle drive shaft bearing oil seal gasket.....	3-F
5	Rear axle drive shaft bearing shims.....	3-F
6	Rear axle drive shaft cone and rollers.....	3-F
7	Rear axle housing.....	3-A
8	Rear axle drive shaft oil seal.....	3-F
9	Rear axle drive shaft nut cotter pin.....	3-F
10	Hub.....	22-C
11	Rear axle drive shaft.....	3-F
12	Rear axle drive shaft bearing oil seal.....	3-F
13	Brake support.....	5-C
14	Brake support to housing bolt.....	5-C
15	Rear axle drive shaft bearing cup.....	3-F
16	Lubricant plug.....	

Plate 49

REAR WHEEL



T.R. 22-4

Ref. No.	Part Name	Group
1	Rear axle drive shaft gasket.....	3-F
2	Outer bearing cone and rollers.....	22-E
3	Adjusting nut - inner.....	22-E
4	Adjusting nut - outer.....	22-E
5	Rear axle drive shaft.....	3-F
6	Outer bearing cup.....	22-E
7	Adjusting nut lock.....	22-E
8	Rear axle drive shaft flange stud.....	3-F
9	Rear wheel hub - upper half for single wheels - lower half for dual wheels.....	22-C
10	Inner bearing cone and rollers.....	22-E
11	Inner bearing cup.....	22-E
12	Oil seal.....	22-E
13	Oil seal snap ring.....	22-E
14	Rear axle housing.....	3-A

NOTES:

GROUP 22 - WHEELS

NOTE: Parts referred to Note 1 were used up to and including: Parts referred to Note 2 were used after the following serial nos: DG2-91186732 - F02-91507930.
 Exceptions - Note 1 parts were used on the following serial nos. DG2-91187031 to 91187307 inclusive, F02-91508206 to 91508327 inclusive.
 -Note 2 parts were used on the following serial nos. DG2-91185717 to 91185913 inclusive. F02-91506983 to 91507100 inclusive.

SPECIAL NOTE:

Note "Y" refers to parts used on hypoid and timken axle with round axle housing.
 Note "Z" refers to parts used on timken axle with square type housing.

WHEEL AND TIRE CHART

WHEEL SIZE	15x4.50 15x5.50	16x4.50	16x5.00	16x5.50	16x6.50	17x6.00	20x5	20x6	20x6.50 20x7
Tire Size	6.70x15 4&6ply	6.00x16 4-6ply 6.50x16 6 ply SS-10	6.50x16 4&6 ply	7.00x16 6 ply 7.50x16 6&8 ply	8.25x16 8 ply	7.00x17 6 ply 7.50x17 8 ply	6.50x20 8 ply 7.00x20 8&10ply	7.50x20 8&10 ply 8.25x20 10 ply	9.00x20 10&12 ply

PART NAME	PART NO.	MODEL CODES													
		DG AND FO						DH AND FP							
		1	2	3	4	5	6	1	2	4	5	6	7		
GROUP 22-A WHEELS - WHEEL BALANCE WEIGHT															
NOTE: For dual installation on DG2-DH2 F02-FP2 see Note in 12E															
Steel Disc Wheel															
Assy. - 15x4.50 - - - - -	1320042	*	
Assy. - 15x5.50 - - - - -	1320024	*	*	
Assy. - 16x4.50 - - - - -	864278	*	*	
Assy. - 16x5.00 - - - - -	1390769	*	
Assy. - 18x3.62 - export - - - - -	683283	*	*	
Assy. - 16x4.50 - firestone type - with side ring - - - - -	1392460	..	*	*	
Side Ring - - - - -	1265526	..	*	*	
Wheel - 16x4.50 - Goodyear type - - less side ring - - - - -	913870	..	*	
Side ring - - - - -	913871	..	*	
Wheel - 16x5.50 - less side ring - - - - -	915620	..	*	*	
Side ring - Goodyear type - - - - -	913871	..	*	*	
Side ring - Firestone type - - - - -	1265526	..	*	*	
Assy. 16x6.50 - with side ring - - - - -	1267977	..	*	
Side ring - - - - -	1189383	..	*	
Assy. - 17x6.00 - with side ring - - - - -	1390365	..	*	*	
Side ring - - - - -	1272915	..	*	*	
Assy. - 20x5 - 5 stud - Goodyear type - with side ring - - - - -	1194667	*	*	
Side ring - - - - -	1194544	*	*	
Assy. - 20x5 - 5 stud - Kelsey type - with side ring - - - - -	1196722	*	*	*	
Side ring - - - - -	1196724	*	*	*	
Locking ring - - - - -	1196725	*	*	*	
Assy. - 2-x6 - 5 stud - Goodyear type - with side ring - - - - -	1194535	*	*	*	
Side ring - - - - -	1190979	*	*	*	
Assy. - 20x6 - 5 stud - Kelsey type - with side ring - - - - -	1196726	*	*	*	*	*	*	
Side ring - - - - -	1196728	*	*	*	*	*	*	
Locking ring - - - - -	1196725	*	*	*	*	*	*	
Assy. - 20x6.50 - 5 stud - with side ring - - - - -	1273213	*	*	*	*	
Side ring - - - - -	1190978	*	*	*	*	
Assy. - 20x6 - stud - with side ring - - - - -	1273212	*	*	*	..	
Side ring - - - - -	1196728	*	*	*	
Locking ring - - - - -	1196725	*	*	*	
Assy. - 20x6.50 - 6 stud - kelsey type - with side ring - - - - -	1273214	*	*	*	
Side ring - - - - -	1190978	*	*	*	

Indicates amount used as required.

† Indicates parts included in packages.

GROUP 22 - WHEELS

PART NAME	PART NO.	MODEL CODES											
		DG AND FO					DH AND FP						
		1	2	3	4	5	6	1	2	4	5	6	7
GROUP 22-A WHEELS - WHEEL BALANCE WEIGHTS (CONT'D)													
Steel Disc Wheel (cont'd)													
Assy. - 20x6.50 - 6 stud - Goodyear type - with side ring	1261741	*
Side ring	1190978	*
Assy. - 20x7 - 6 stud - with side ring	1392087	*	*
Side ring	1392080	*	*
Locking ring	1392081	*	*
Wheel Balance Weights													
Weight - 1 oz.	992994	*	*
Weight - 2 oz.	992995	*	*
Weight - 4 oz.	589681	..	*	*	*	*	*	..	*	*	*	*	*
Weight - 6 oz.	589682	..	*	*	*	*	*	..	*	*	*	*	*
GROUP 22-B HUB AND DRUM													
Hub and Drum - Front Wheel													
Assy. - right	668593	1	1
Assy. - left	856966	1	1
Assy. - right - note 1	921536	..	1
Assy. - left - note 1	921537	..	1
Assy. - right - note 2	1273774	..	1
Assy. - left - note 2	1273775	..	1
Assy. - right	1502060	1
Assy. - left	1502061	1
Assy. - right	1194218	1	1	1
Assy. - left	1194219	1	1	1
Assy. - right - H.D. axle	1196814	1	1
Assy. - left - H.D. axle	1196815	1	1
Assy. - right	1196814	1	1
Assy. - left	1196815	1	1
Assy. - right - 5 stud	1195236	1	1	..
Assy. - left - 5 stud	1195237	1	1	..
Assy. - right - 6 stud	1270092	1	1	1
Assy. - left - 6 stud	1270093	1	1	1
Hub and Drum - Rear Wheel													
Assy. - right	1137699	1	1
Assy. - left	1137700	1	1
Assy. - right - note 1	1194456	..	1
Assy. - left - note 1	1194457	..	1
Assy. - right - note 2	1273778	..	1
Assy. - left - note 2	1273779	..	1
Assy. - right	1273778	1
Assy. - left	1273779	1
Assy. - right - single wheels	1190412	1
Assy. - left - single wheels	1190413	1
Assy. - right - dual wheels - single speed axle	1190416	1	1	1
Assy. - left - dual wheels - single speed axle	1190417	1	1	1
Assy. - right - 2 speed axle	1195208	1	1
Assy. - left - 2 speed axle	1195209	1	1
Assy. - right - 5 stud	1195208	1	1	1
Assy. - left - 5 stud	1195209	1	1	1
Assy. - right - 5 stud	1394618	1	..
Assy. - left - 5 stud	1394619	1	..
Assy. - right - 6 stud - note Y	1195224	1
Assy. - left - 6 stud - note Y	1195225	1
Assy. - right - 6 stud - note Z	1266446	1
Assy. - left - 6 stud - note Z	1266447	1
Assy. - right - 6 stud	1394622	1	..
Assy. - left - 6 stud	1394623	1	..
Assy. - right - 6 stud	1394558	1
Assy. - left - 6 stud	1394559	1

Indicates amount used as required.

† Indicates parts included in packages.

GROUP 22 - WHEELS

PART NAME	PART NO.	MODEL CODES											
		DG AND FO					DH AND FP						
		1	2	3	4	5	6	1	2	4	5	6	7
GROUP 22-C WHEEL HUB													
Wheel Hub - Front													
Hub - right	682555	1	1
Hub - left	856955	1	1
Hub assy.	921535	..	2
Hub assy.	1502064	2
Hub assy.	1194221	2	2	2
Hub assy. -H.D. axle	1261184	2	2
Hub assy.	1261184	2	2
Hub assy. - right - 5 stud	1195238	1	1	..
Hub assy. - left - 5 stud	1195239	1	1	..
Hub assy. - right - 6 stud	1270094	1	1	1
Hub assy. - left - 6 stud	1270095	1	1	1
Wheel Hub - Rear													
Hub - right	1118868	1	1
Hub - left	1118869	1	1
Hub assy.	915614	..	2	2
Hub assy. - right - single wheels	1193688	1
Hub assy. - left - single wheels	1193689	1
Hub assy. - right - dual wheels - single speed axle	1193682	1	1	1
Hub assy. - left - dual wheels - single speed axle	1193683	1	1	1
Hub assy. - right - 2 speed axle	912610	1	1
Hub assy. - left - 2 speed axle	912611	1	1
Hub assy. - right - 5 stud	912610	1	1	1	1	..
Hub assy. - left - 5 stud	912611	1	1	1	1	..
Hub assy. - right - 6 stud - note "Y"	1195226	1	1	..
Hub assy. - left - 6 stud - note "Y"	1195227	1	1	..
Hub assy. - 6 stud - note Z	1266450	2
Hub assy. - right - 6 stud	1196224	1
Hub assy. - left - 6 stud	1196225	1
Oil slinger	915616	..	2	2
Oil slinger - note Z	1191848	2
Hub Cap													
Hub cap - Dodge	1196827	4	4
Hub cap - Fargo	1189780	4	4
Hub cap - De Soto	1118887	4	4
Hub cap - with 18x3.62 wheel	1118887	4	4
Spring clip	1316017	*	*
Spring clip - with 18x3.62 wheel	632801	*	*
Rivet	104068	*	*
Grease cap	600183	2	2
Grease cap	564052	..	2	2	2	2	2	..	2	2	2	2	2
Hub Stud or Bolt - Front Wheel													
Bolt - right	393984	5	5
Bolt - left	856981	5	5
Stud - right - note 1	913848	..	6
Stud - left - note 1	913849	..	6
Stud - right - note 2	1273554	..	6	6
Stud - left - note 2	1273555	..	6	6
Stud - right	924628	5	5	5
Stud - left	924629	5	5	5
Stud - right - H.D. axle	1261180	5	5
Stud - left - H.D. axle	1261181	5	5
Stud - right	1261180	5	5
Stud - left	1261181	5	5
Stud - right	567928	*	*	6
Stud - left	567929	*	*	6
Hub Stud or Bolt - Rear Wheel													
Bolt - right	393984	5	5
Bolt - left	856981	5	5
Stud - right - note 1	913848	..	6
Stud - left - note 1	913849	..	6

Indicates amount used as required.

† Indicates parts included in packages.

GROUP 22 - WHEELS

PART NAME	PART NO.	MODEL CODES											
		DG AND FO					DH AND FP						
		1	2	3	4	5	6	1	2	4	5	6	7
GROUP 22-C WHEEL HUB (CONT'D)													
Hub Stud or Bolt - Rear Wheel (cont'd)													
Stud - right - note 2	1273576	..	6	6
Stud - left - note 2	1273577	..	6	6
Stud - right - single wheels	924628	5
Stud - left - single wheels	924629	5
Stud - right - note "Y"	532062	5	5	5	5	5	5	..
Stud - left - note "Y"	532063	5	5	5	5	5	5	..
Stud - right - note "Z"	1191846	6
Stud - left - note "Z"	1191847	6
Stud - right	532062	6
Stud - left	532063	6
Hub Stud Nut - Front Wheel													
Nut - right - note 1	913812	..	6
Nut - left - note 1	913813	..	6
Nut - right - note 2	1273556	..	6	6
Nut - left - note 2	1273557	..	6	6
Nut - right	585192	5	5	5	*	5	5	*	6
Nut - left	585193	5	5	5	*	5	5	*	6
Hub Stud Nut - Rear Wheel													
Nut - right - note 1	913812	..	6
Nut - left - note 1	913813	..	6
Nut - right - note 2	1273556	..	6	6
Nut - left - note 2	1273557	..	6	6
Nut - right - single wheels	585192	5
Nut - left - single wheels	585193	5
Nut - right - inner	503551	5	5	*	5	5	*	6
Nut - left - inner	503550	5	5	*	5	5	*	6
Nut - right - outer	585194	5	5	*	5	5	*	6
Nut - left - outer	585195	5	5	*	5	5	*	6
Hub stud nut	124645	*	*	*	*	*	*	12
GROUP 22-D BRAKE DRUM													
Brake Drum - Front Wheel													
Assy.	659261	2	2
Assy.	916946	..	2
Assy.	1502065	2
Assy.	1194243	2	2	2	2	2
Assy.	1195241	2	2	2
Rivet	104102	8	8
Pilot rivet	642911	2	2
Bolt - drum to hub	1272955	10	10	10
Nut - 5 stud	120371	10	10	..
Nut - 6 stud	126016	10	10	10
Lockwasher	120384	10	10	10
Brake Drum - Rear Wheel													
Assy.	693524	2	2
Assy.	1194445	..	2	2
Assy.	1190426	2
Assy. - 5 stud	1190419	2	2	2	2	2
Assy. - 5 stud	1501516	2	..
Assy. - 6 stud - note Y	1195231	2
Assy. - 6 stud - note "Z"	1191844	2
Assy. - 6 stud	1501513	2	..
Assy. - 6 stud	1501514	2
Rivet - hub to drum	104102	8	8
Pilot rivet	642911	2	2
Bolt - single	1272955	10
GROUP 22-E WHEEL BEARINGS													
Front Wheel Bearing Cone													
Cone - inner	698395	2	2
Cone - outer	698389	2	2

Indicates amount used as required.

† Indicates parts included in packages.

GROUP 22 - WHEELS

PART NAME	PART NO.	MODEL CODES											
		DG AND FO					DH AND FP						
		1	2	3	4	5	6	1	2	4	5	6	7
GROUP 22-E WHEEL BEARINGS (CONT'D)													
Front Wheel Bearing Cone (cont'd)													
Cone - inner	698410	..	2	2
Cone - outer	913204	..	2	2
Cone - inner	919265	2	2	2
Cone - outer	1262533	2	2	2
Cone - inner - H.D. axle	918967	2	2
Cone - outer - H.D. axle	564025	2	2
Cone - inner	918967	2	2	2	2	2
Cone - outer	564025	2	2	2	2	2
Front Wheel Bearing Cup													
Cup - inner	698394	2	2	2	2
Cup - outer	698388	2	2
Cup - outer	913203	..	2	2
Cup - inner	919266	2	2	2
Cup - outer	698401	2	2	2
Cup - inner - H.D. axle	305654	2	2
Cup - outer - H.D. axle	698390	2	2
Cup - inner	305654	2	2	2	2	2
Cup - outer	698390	2	2	2	2	2
Front Wheel Bearing Dust Seal													
Assy.	668479	2	2	2	2
Assy.	919277	2	2	2
Assy. - H.D. axle	919250	2	2
Assy.	919250	2	2	2	2	2
Front Wheel Bearing Nut													
Nut	33208	2	2
Nut	921538	..	2	2
Washer	600194	2	2	2	2
Cotter	119209	2	2	2	2
Nut	1263313	2	2	2
Washer	1262540	2	2	2
Nut - H.D. axle	564045	2	2
Nut	564045	2	2	2	2	2
Washer	564046	2	2	2	2	2	2	2
Cotter	103399	2	2	2	2	2	2	2
Rear Wheel Bearing Cone													
Cone - inner	927017	..	2	2
Cone - outer	927018	..	2	2
Cone - inner - single speed axle	563741	2	2	2
Cone - outer - single speed axle	503241	2	2	2
Cone - inner - 2 speed axle	571823	2	2
Cone - outer - 2 speed axle	563567	2	2
Cone - inner - note "Y"	571823	2	2	2	2	..
Cone - outer - note "Y"	563567	2	2	2	2	..
Cone - inner - note "Z"	1191786	2
Cone - outer - note "Z"	1193606	2
Cone - inner	1196228	2
Cone - outer	1193606	2
Rear Wheel Bearing Cup													
Cup - inner	927015	..	2	2
Cup - outer	927016	..	2	2
Cup - inner - single speed axle	563568	2	2	2
Cup - outer - single speed axle	1193676	2	2	2
Cup - inner - 2 speed axle	571824	2	2
Cup - outer - 2 speed axle	563568	2	2
Cup - inner	571824	2	2
Cup - outer	563568	2	2
Cup - inner - single speed axle	571824	2	2	..
Cup - outer - single speed axle	563568	2	2	..
Cup - inner - note "Y"	571824	2	2	..
Cup - outer - note "Y"	563568	2	2	..
Cup - inner - note "Z"	579071	2
Cup - outer - note "Z"	1193605	2

Indicates amount used as required.

† Indicates parts included in packages.

GROUP 22 - WHEELS

PART NAME	PART NO.	MODEL CODES										
		DG AND FO					DH AND FP					
		1	2	3	4	5	6	1	2	4	5	6
GROUP 22-E WHEEL BEARINGS (CONT'D)												
Rear Wheel Bearing Cup												
Cup - inner - - - - -	1191990	2
Cup - outer - - - - -	1193605	2
Rear Wheel Bearing Adjusting Nut												
Inner nut assy. - - - - -	915395	..	2	2
Outer nut - - - - -	915398	..	2	2
Lock - - - - -	915397	..	2	2
Inner nut assy. - single speed axle - - - - -	592813	2	2	2
Outer nut - - - - -	592816	2	2	2
Lock - - - - -	574324	2	2	2
Inner nut assy. - 2 speed axle - - - - -	574556	2	2
Outer nut - - - - -	574558	2	2
Lock - - - - -	574559	2	2
Pin - - - - -	574325	2	2
Inner nut assy. - note "Y" - - - - -	574556	2	2	2	2
Outer nut - - - - -	574558	2	2	2	2
Lock - - - - -	574559	2	2	2	2
Pin - - - - -	574325	2	2	2	2
Inner nut assy. - note "Z" - - - - -	1191696	2	2
Outer nut - - - - -	1191697	2	2
Lock - - - - -	1191698	2	2
Rear Wheel Bearing Oil Seal												
Assy. - inner - - - - -	915499	..	2	2
Snap ring - - - - -	915498	..	2	2
Oil seal and retainer - outer - - - - -	915496	..	2	2
Gasket - - - - -	915565	..	4	4
Assy. - single speed axle - - - - -	574362	2	2	2
Assy. - 2 speed axle - - - - -	574563	2	2
Assy. - note "Y" - - - - -	574563	2	2	2	2
Assy. - inner - note "Z" - - - - -	1263697	2
Oil seal pkg. - outer - note "Z" - - - - -	1243658	2
Sleeve assy. - with gasket - note "Z" - - - - -	1263023	2
Assy. - - - - -	1196233	2
GROUP 22-F UNDERSLUNG TIRE CARRIER												
Underslung Tire Carrier - For 16" Wheel												
Hanger assy. - - - - -	592143	1	1	1	1
Bolt - left - 116"-8.25x16 tire - - - - -	1268744	..	1
Bolt - right - 8.25x16 tire - - - - -	1268745	..	1
Bolt - right - - - - -	590234	1	1	1	1
Bolt - left - - - - -	590235	1	1	1	1
Bolt - left - 116" W.B. - - - - -	590237	..	1
Nut - adj. - - - - -	590924	1	1	1	1
Nut - lock - - - - -	124589	2	2	2	2
Nut - bolt to frame - - - - -	124589	1	1	1	1
Cotter - - - - -	119209	1	1	1	1
Strap - - - - -	589616	1	2
Rivet - - - - -	104113	*	*
Strap - - - - -	915782	1	2
Rivet - - - - -	104113	*	*
Underslung Tire Carrier - For 20" Wheels												
Assy. - 6.50-7.00-7.50x20 tire - - - - -	574753	1	1	1	1	1	1	1
Assy. - 8.25-9.00-10.00x20 - - - - -	572084	1	1	1	1	1	1
Rivet - - - - -	104098	*	*	*	*	*	*	*
Bolt - rim support - - - - -	121661	2	2	2	2	2	2	2
Nut - - - - -	120368	2	2	2	2	2	2	2
Lockwasher - - - - -	120214	2	2	2	2	2	2	2
Bracket - - - - -	564253	2	2	2	2	2	2	2
Bolt - - - - -	120647	4	4	4	4	4	4	4
Nut - - - - -	120369	4	4	4	4	4	4	4
Lockwasher - - - - -	120382	4	4	4	4	4	4	4
Support rod assy. - with 574753 assy. - - - - -	581721	2	2	2	2	2	2	2
Support rod assy. - with 572084 assy. - - - - -	1190968	2	2	2	2	2	2

Indicates amount used as required.

† Indicates parts included in packages.

