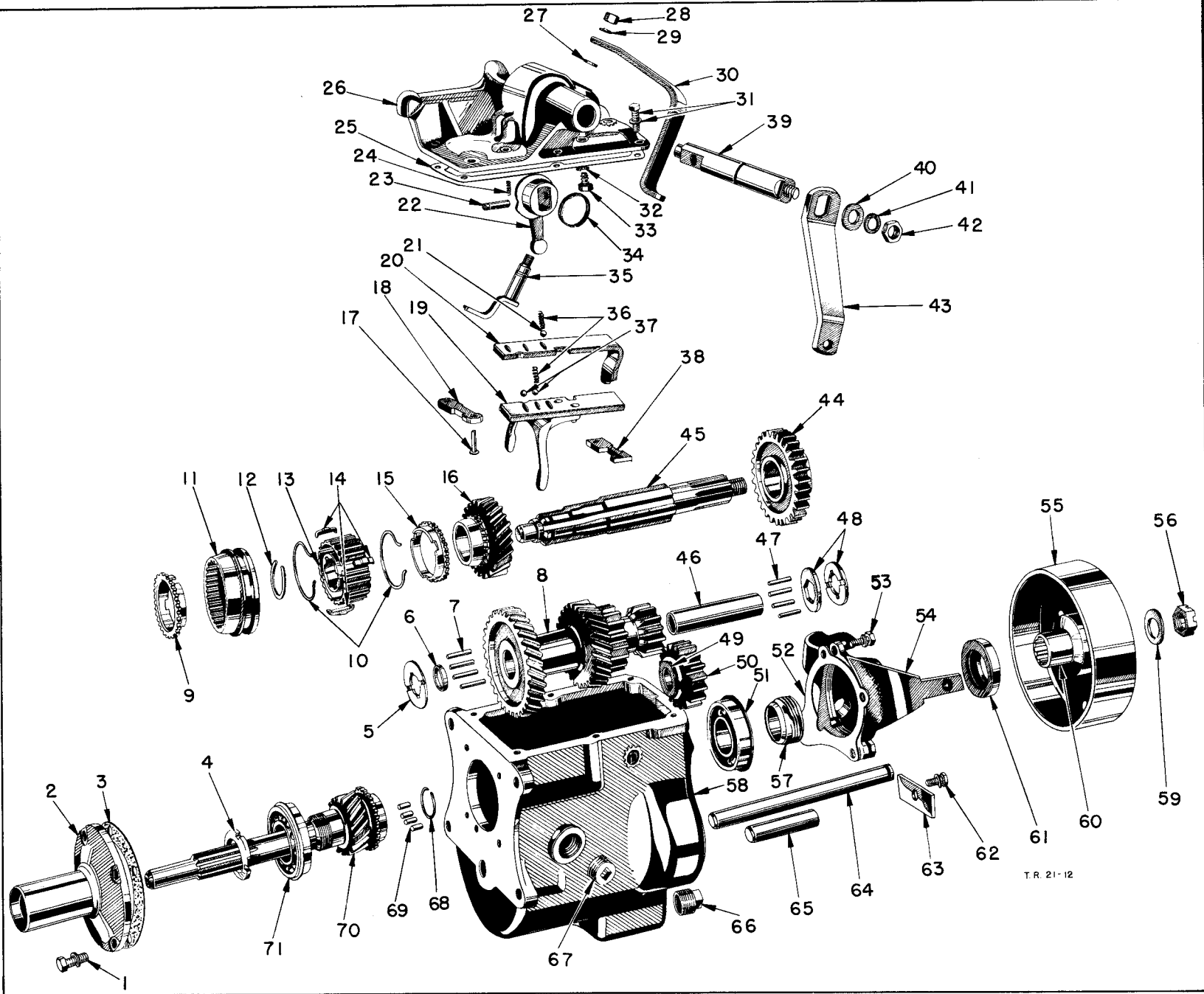


GROUP

21

TRANSMISSION

TRANSMISSION - 3 SPEED



T.R. 21-12

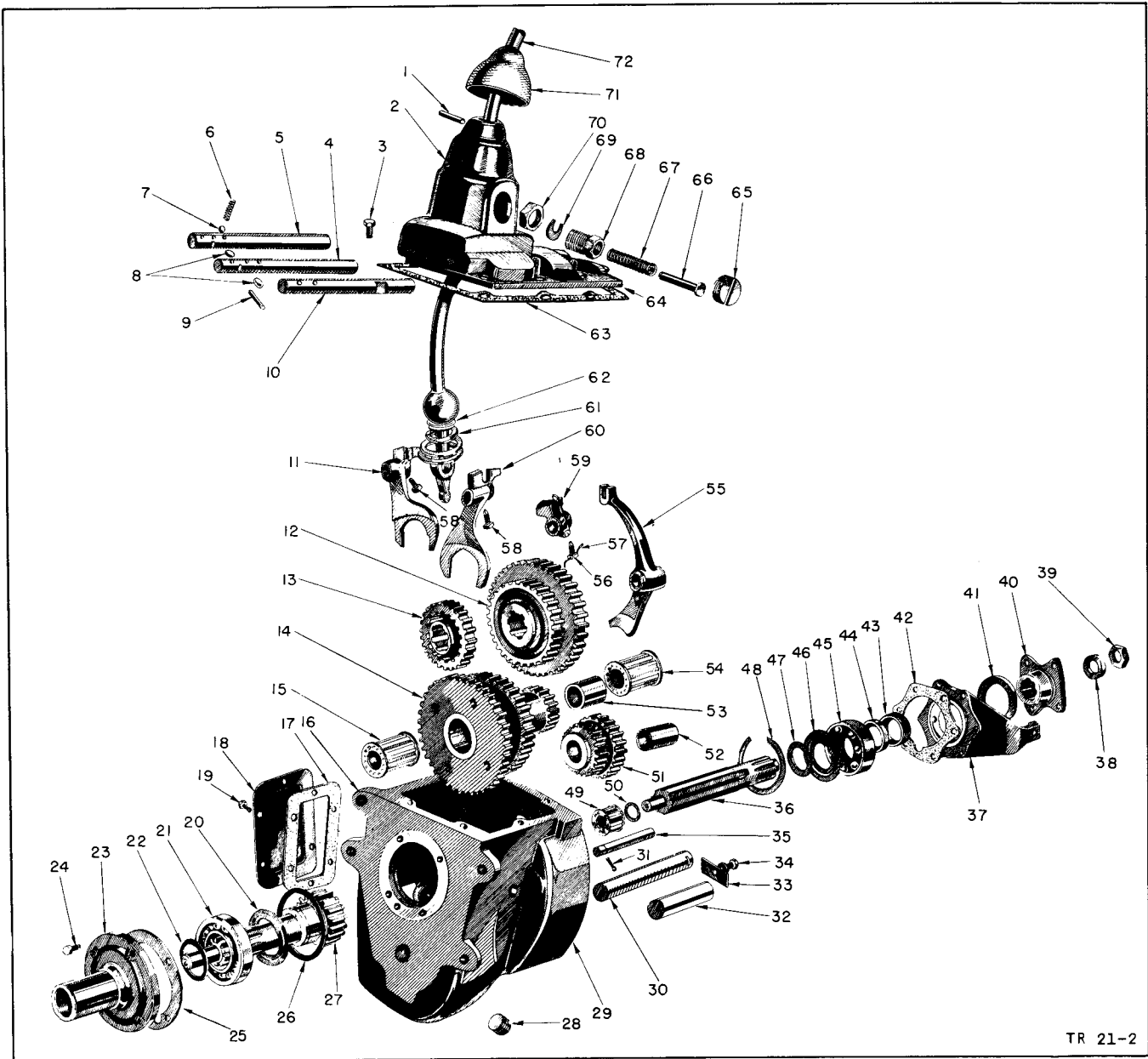
TRANSMISSION - 3 SPEED (Cont'd)

Plate 40 (Cont'd)

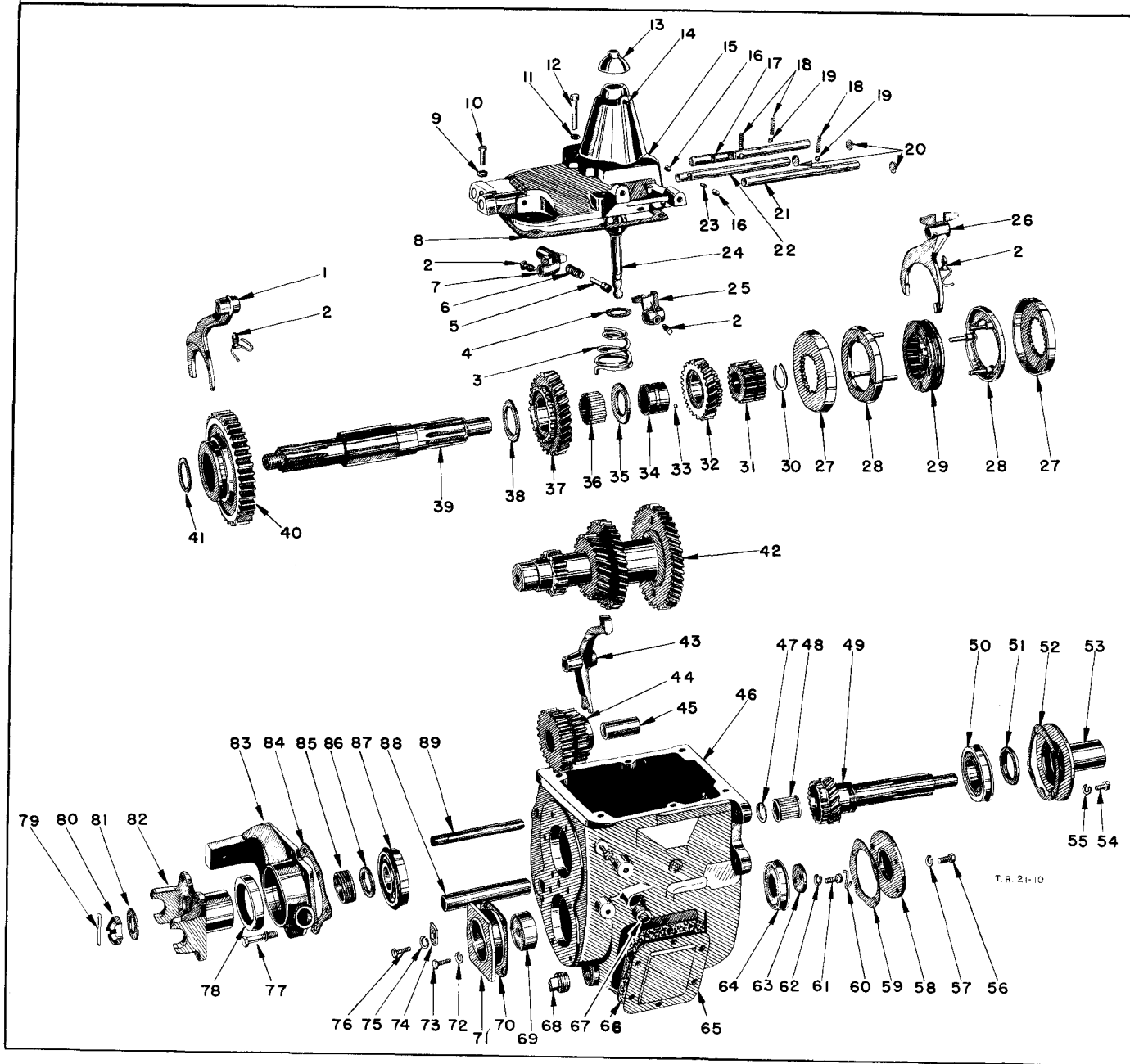
Ref. No.	Part Name	Group	Ref. No.	Part Name	Group
1	Pinion bearing retainer screw & washer	21-A	37	Rail interlock ball	21-B
2	Drive pinion bearing retainer	21-A	38	Gearshift rail retainer - rear	21-B
3	Drive pinion retainer gasket	21-A	39	Gearshift shaft	21-B
4	Drive pinion bearing lock nut	21-A	40	Gearshift outer lever plainwasher	21-B
5	Countershaft thrust washer	21-A	41	Gearshift outer lever lockwasher	21-B
6	Countershaft bearing spacer	21-A	42	Gearshift outer lever nut	21-B
7	Countershaft bearing	21-A	43	Gearshift outer lever	21-B
8	Countershaft gear	21-A	44	First and reverse gear	21-A
9	Synchronizer stop ring	21-A	45	Mainshaft	21-A
10	Synchronizer spring - in package	21-A	46	Countershaft bearing spacer	21-A
11	Clutch gear sleeve	21-A	47	Countershaft bearing	21-A
12	Clutch gear snap ring	21-A	48	Countershaft end washers	21-A
13	Clutch gear	21-A	49	Reverse idler gear bushing	21-A
14	Synchronizer shift plate	21-A	50	Reverse idler gear	21-A
15	Synchronizer stop ring	21-A	51	Mainshaft bearing	21-A
16	Second speed gear	21-A	52	Brake support gasket	21-A
17	Rail retainer rivet	21-B	53	Brake support screw and lockwasher	21-A
18	Gearshift rail retainer - front	21-B	54	Bearing retainer or brake support	21-A
19	Second and direct shift rail	21-B	55	Hand brake drum	4-A
20	First and reverse shift rail	21-B	56	Mainshaft flange nut	16-E
21	Rail selector ball	21-B	57	Speedometer drive gear	21-E
22	Gearshift lever - inner	21-B	58	Transmission case	21-A
23	Lever pin	21-B	59	Mainshaft flange nut washer	16-E
24	Lever return spring	21-B	60	Mainshaft flange	16-E
25	Gearshift housing gasket	21-B	61	Mainshaft bearing oil seal	21-A
26	Gearshift housing	21-B	62	Lockplate screw and lockwasher	21-A
27	Cam and shaft snap ring	21-B	63	Countershaft and idler shaft lock plate	21-A
28	Selector lever nut	21-B	64	Countershaft	21-A
29	Selector lever nut lockwasher	21-B	65	Idler gear shaft	21-A
30	Selector lever	21-B	66	Case drain plug	21-A
31	Housing bolt and lockwasher	21-B	67	Case filler plug	21-A
32	Gearshift shaft screw lockwasher	21-B	68	Mainshaft pilot bearing snap ring	21-A
33	Gearshift shaft screw	21-B	69	Mainshaft pilot rollers	21-A
34	Inner lever, pin lock spring	21-B	70	Drive pinion	21-A
35	Cam and shaft assy.	21-B	71	Drive pinion bearing	21-A
36	Rail selector ball spring	21-B			

GROUP 21 - TRANSMISSION

TRANSMISSION - 4 SPEED - SPUR GEAR



TRANSMISSION - 4 SPEED - SYNCHRO-SHIFT

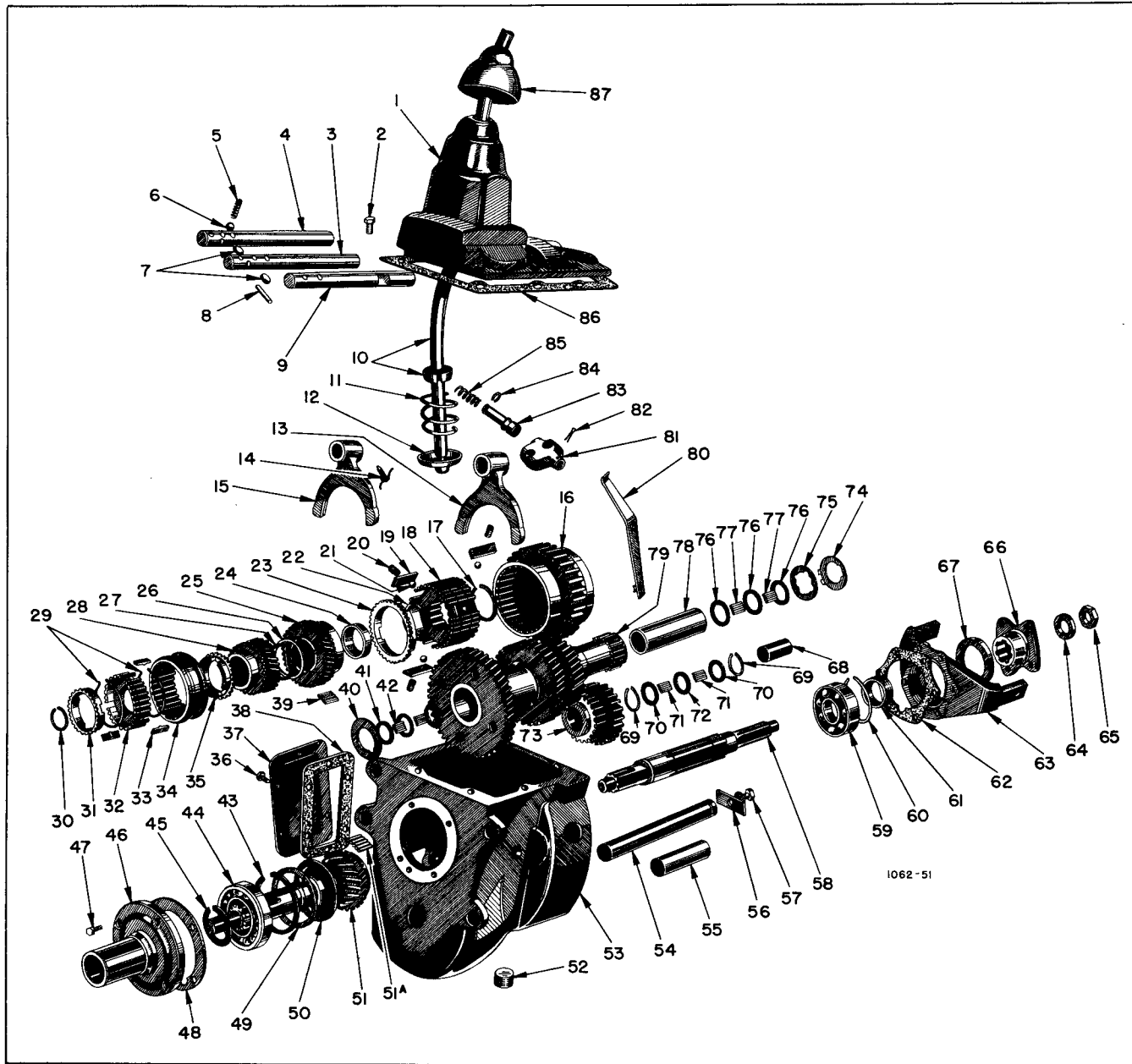


TRANSMISSION - 4 SPEED - SYNCHRO-SHIFT (Cont'd)

Plate 42 (Cont'd)

Ref. No.	Part Name	Group	Ref. No.	Part Name	Group	Ref. No.	Part Name	Group
1	First and second shift fork	21-C	32	Mainshaft third speed gear	21-C	61	Retainer washer screw	21-C
2	Lockscrew and lockwire	21-C	33	Bushing retainer pin	21-C	62	Retainer washer screw 1/washer	21-C
3	Gearshift lever spring	21-C	34	Third speed gear bushing	21-C	63	Bearing retainer washer	21-C
4	Lever spring seat	21-C	35	Third speed gear locating wshr.	21-C	64	Countershaft front bearing	21-C
5	Reverse rail shift latch plunger ...	21-C	36	Second speed gear rollers	21-C	65	Power take-off cover	21-C
6	Latch plunger spring	21-C	37	Second speed gear	21-C	66	Take-off cover gasket	21-C
7	Reverse rail lug	21-C	38	Gear locating washer	21-C	67	Case filler plug	21-C
8	Case cover gasket	21-C	39	Mainshaft	21-C	68	Case drain plug	21-C
9	Case cover screw lockwasher	21-C	40	Low and second sliding gear	21-C	69	Countershaft rear bearing	21-C
10	Case cover screw - short	21-C	41	Rear bearing shim	21-C	70	Rear bearing retainer gasket	21-C
11	Case cover screw lockwasher	21-C	42	Countershaft	21-C	71	Rear bearing retainer	21-C
12	Case cover screw - long	21-C	43	Reverse shift fork	21-C	72	Retainer screw lockwasher	21-C
13	Gearshift lever ball cap	21-C	44	Reverse idler gear	21-C	73	Retainer screw	21-C
14	Lever guide pin	21-C	45	Idler gear bushing	21-C	74	Idler gear shaft lock plate	21-C
15	Gearshift case cover	21-C	46	Case	21-C	75	Lock plate screw lockwasher	21-C
16	Rail interlock plunger	21-C	47	Pilot bearing spacer	21-C	76	Lock plate screw	21-C
17	Reverse rail	21-C	48	Pilot bearing	21-C	77	Rear bearing retainer screw and lockwasher	21-C
18	Rail poppet ball spring	21-C	49	Main drive pinion	21-C	78	Rear bearing oil seal	21-C
19	Rail poppet ball	21-C	50	Drive pinion bearing	21-C	79	Flange nut cotter pin	16-E
20	Rail hole plug	21-C	51	Pinion bearing retainer nut	21-C	80	Flange nut	16-E
21	Low and second rail	21-C	52	Pinion bearing retainer gskt.	21-C	81	Flange nut washer	16-E
22	Third and direct rail	21-C	53	Pinion bearing retainer	21-C	82	Transmission end flange	16-E
23	Rail interlock pin	21-C	54	Bearing retainer screw	21-C	83	Mainshaft rear bearing retainer	21-C
24	Gearshift lever	21-C	55	Retainer screw lockwasher	21-C	84	Rear bearing retainer gasket	21-C
25	Low and second rail lug	21-C	56	Countershaft frt. bearing retainer screw	21-C	85	Speedometer drive gear	21-E
26	Third and fourth shift fork	21-C	57	Retainer screw lockwasher	21-C	86	Drive gear spacer	21-E
27	Synchronizer stop ring-outer	21-C	58	Countershaft frt. brg. ret.	21-C	87	Mainshaft rear bearing	21-C
28	Synchronizer stop ring assy.	21-C	59	Bearing retainer gasket	21-C	88	Reverse idler gear shaft	21-C
29	Synchronizer sliding clutch	21-C	60	Retainer washer screw 1/wire	21-C	89	Gearshift reverse fork rail	21-C
30	Synchronizer snap ring	21-C						
31	Synchronizer clutch gear	21-C						

GROUP 21 - TRANSMISSION



1062-51

TRANSMISSION - 4 SPEED - DOUBLE SYNCHRONIZED - (Cont'd)

Plate 43 (Cont'd)

Ref. No.	Part Name	Group	Ref. No.	Part Name	Group	Ref. No.	Part Name	Group
1	Gearshift Housing.....	21-C	34	Clutch Gear Sleeve.....	21-C	59	Mainshaft Rear Bearing.....	21-C
2	Gearshift Housing Screw.....	21-C	35	Synchronizer Stop Ring.....	21-C	60	Mainshaft Rear Bearing Snap Ring...	21-C
3	Third and Fourth Shift Rail.....	21-C	36	Power Take-Off Cover Screw.....	21-C	61	Speedometer Drive Gear.....	21-C
4	First and Second Shift Rail.....	21-C	37	Power Take-Off Cover.....	21-C	62	Mainshaft Rear Bearing Retainer	
5	Gearshift Rail Ball Spring.....	21-C	38	Power Take-Off Cover Gasket.....	21-C		Gasket.....	21-C
6	Gearshift Rail Ball.....	21-C	39	Second Speed Gear Bearing		63	Mainshaft Rear Bearing Retainer.....	21-C
7	Gearshift Rail Interlock Plunger...	21-C		Rollers (34).....	21-C	64	Flange Nut Washer.....	16-E
8	Gearshift Rail Interlock Pin.....	21-C	40	Countershaft Thrust Washers Front		65	Flange Nut.....	16-E
9	Reverse Shift Rail.....	21-C		(Bronze).....	21-C	66	Companion Flange.....	16-E
10	Gearshift Lever.....	21-C	41	Spacer Washers - Countershaft		67	Rear Bearing Retainer Oil Seal.....	21-C
11	Gearshift Lever Spring.....	21-C		Bearing Rollers.....	21-C	68	Reverse Idler Shaft Sleeve.....	21-C
12	Gearshift Lever Spring Seat.....	21-C	42	Countershaft Bearing Rollers (88)..	21-C	69	Reverse Idler Bearing Snap Ring....	21-C
13	First and Second Gearshift Fork....	21-C	43	Main Drive Pinion Bearing Snap Ring	21-C	70	Reverse Idler Bearing Thrust Washer	21-C
14	Gearshift Fork Screw and Lock Wire.	21-C	44	Main Drive Pinion Bearing.....	21-C	71	Reverse Idler Bearing Rollers (74).	21-C
15	Third and Fourth Gearshift Fork....	21-C	45	Main Drive Pinion Bearing Snap Ring	21-C	72	Reverse Idler Bearing Spacer.....	21-C
16	Low and Second Speed Gear.....	21-C	46	Main Drive Pinion Bearing Retainer.	21-C	73	Reverse Idler Gear.....	21-C
17	Synchronizer Hub Snap Ring Rear....	21-C	47	Main Drive Pinion Bearing Retainer		74	Countershaft Thrust Washer - Rear	
18	Synchronizer Hub.....	21-C		Screw.....	21-C		(Steel).....	21-C
19	Shifting Plate (3).....	21-C	48	Main Drive Pinion Bearing Retainer		75	Countershaft Thrust Washer - Rear	
20	Shifting Plate Spring (3).....	21-C		Gasket.....	21-C		(Bronze).....	21-C
21	Shifting Plate Poppet Ball (3).....	21-C	49	Main Drive Pinion Bearing Spacer		76	Spacer Washer - Countershaft.....	21-C
22	Synchronizer Hub Snap Ring Front...	21-C		Ring.....	21-C	77	Countershaft Bearing Rollers (88)..	21-C
23	Synchronizer Stop Ring - Low and		50	Main Drive Pinion Bearing Oil		78	Countershaft Bearing Spacer.....	21-C
	Second.....	21-C		Slinger.....	21-C	79	Countershaft Gear.....	21-C
24	Second Speed Gear Bearing Spacer...	21-C	51	Main Drive Pinion.....	21-C	80	Reverse Gear Shift Arm.....	21-C
25	Second Speed Gear and Bushing.....	21-C	51A	Main Drive Pinion Bearing Rollers		81	Reverse Gear Shift Arm.....	21-C
26	Second Speed Gear Thrust Washer....	21-C		(Mainshaft) (16).....	21-C	82	Reverse Gear Shift Rail Lug Cotter.	21-C
27	Second Speed Gear Thrust Washer		52	Case Drain Plug.....	21-C	83	Reverse Gear Shift Rail Plunger....	21-C
	Snap Ring.....	21-C	53	Transmission Case.....	21-C	84	Reverse Gear Shift Rail Plunger	
28	Third Speed Gear.....	21-C		Washer.....	21-C		Washer.....	21-C
29	Synchronizer Spring.....	21-C	54	Countershaft.....	21-C	85	Reverse Gear Shift Rail Plunger	
30	Clutch Gear Snap Ring.....	21-C	55	Reverse Idler Shaft.....	21-C		Spring.....	21-C
31	Synchronizer Stop Ring.....	21-C	56	Countershaft and Reverse Shaft Lock		86	Gearshift Housing Gasket.....	21-C
32	Clutch Gear.....	21-C		Plate.....	21-C	87	Gearshift Lever Cap.....	21-C
33	Synchronizer Shifting Plates.....	21-C	57	Lock Plate Screw.....	21-C			
			58	Mainshaft.....	21-C			

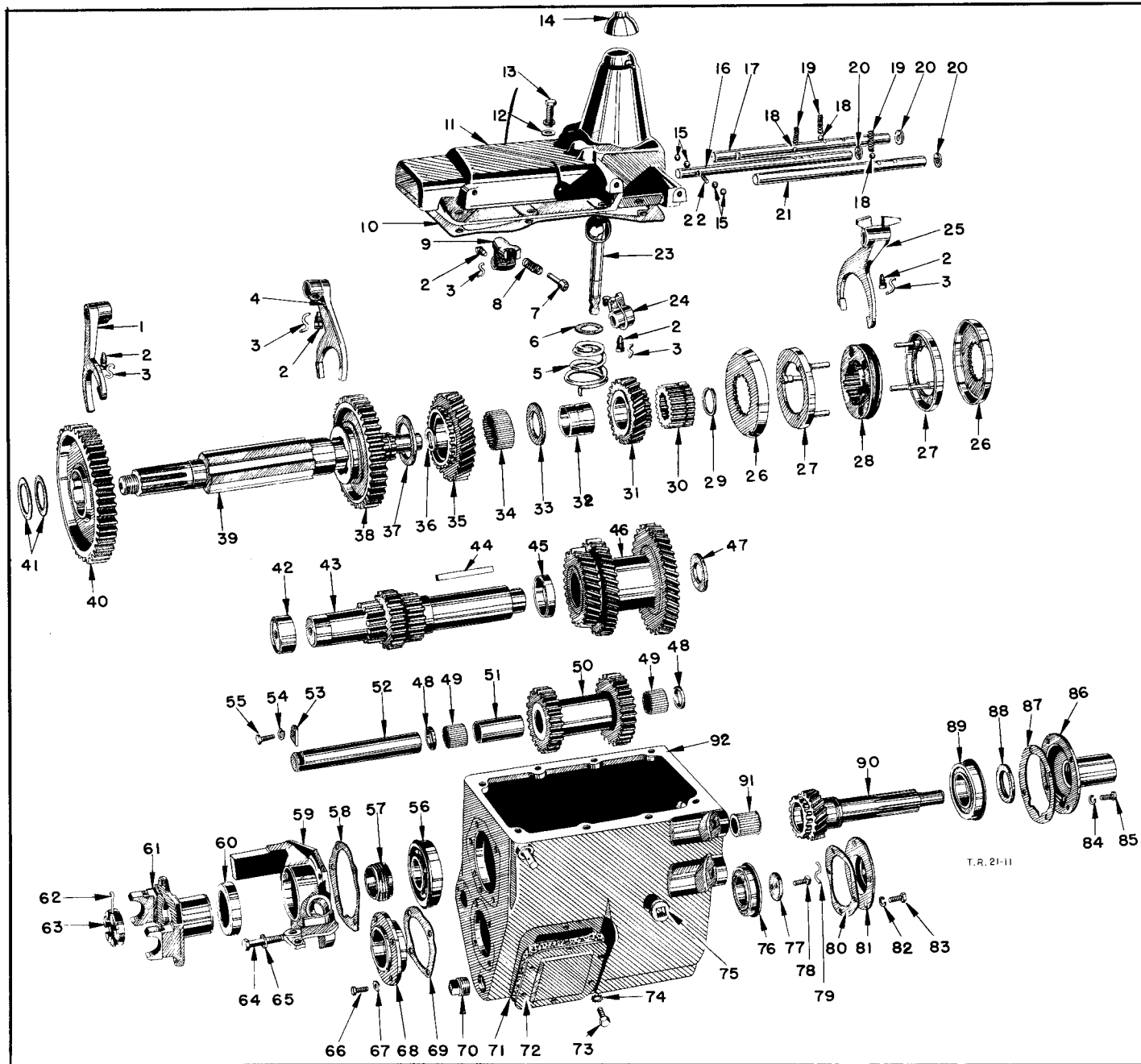
GROUP 21 - TRANSMISSION

TRANSMISSION - 5 SPEED - SYNCHRO-SHIFT

Plate 44

21-9

GROUP 21 - TRANSMISSION

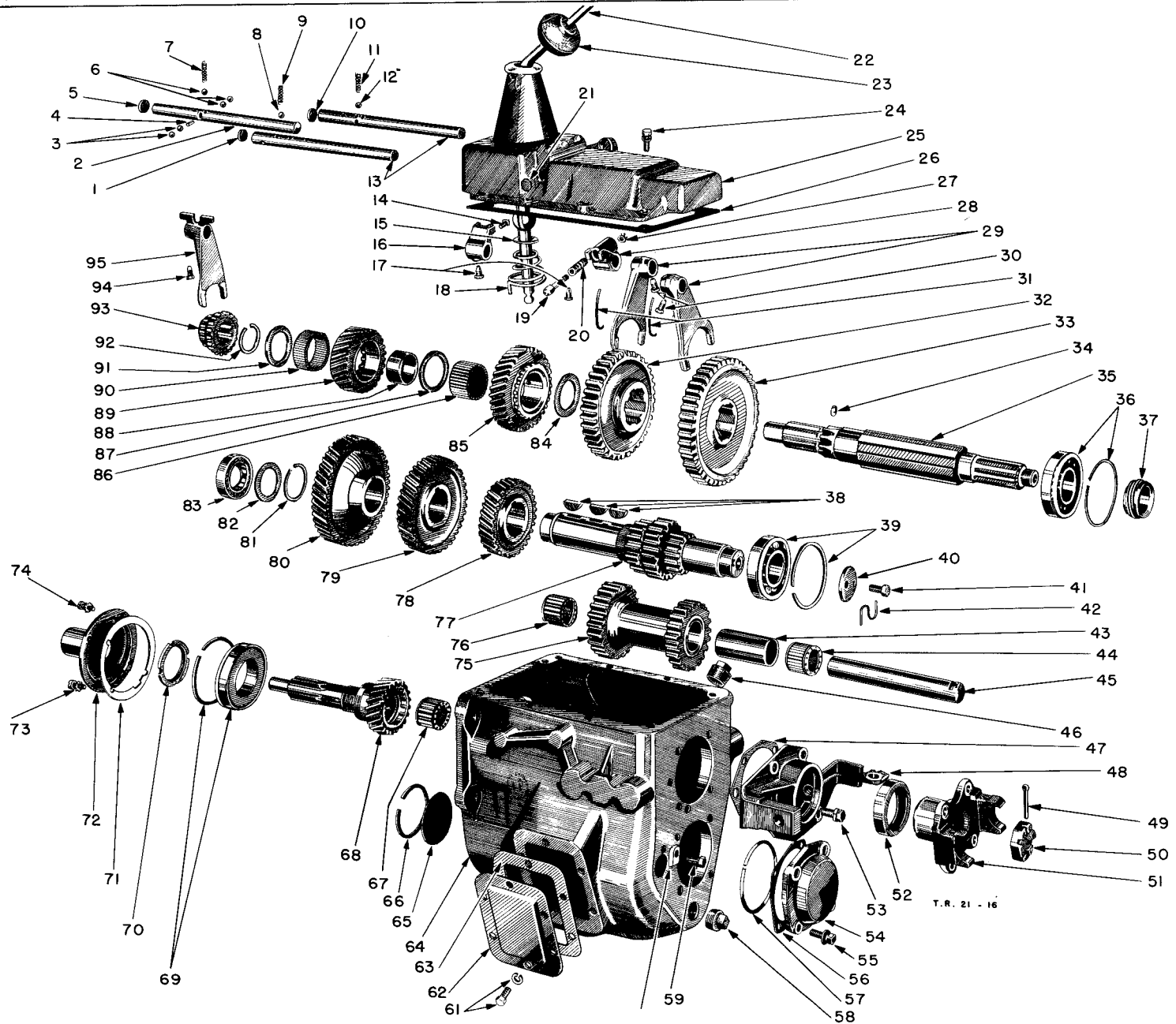


TRANSMISSION - 5 SPEED - SYNCHRO-SHIFT - (Cont'd)

Plate 44 (Cont'd)

Ref. No.	Part Name	Group	Ref. No.	Part Name	Group	Ref. No.	Part Name	Group
1	Second and third shift yoke	21-D	32	Fourth speed gear bushing	21-D	63	Flange nut	16-E
2	Lockscrew	21-D	33	Fourth speed gear loc. wshr.	21-D	64	Rear bearing retainer screw	21-D
3	Lockwire	21-D	34	Third speed gear rollers	21-D	65	Retainer screw lockwasher	21-D
4	Low and reverse shift fork	21-D	35	Third speed gear	21-D	66	Countershaft rr. ret. screw	21-D
5	Gearshift lever spring	21-D	36	Mainshaft pilot brg. spacer	21-D	67	Retainer screw lockwasher	21-D
6	Lever spring plate	21-D	37	Third speed gear loc. washer	21-D	68	Rear bearing retainer	21-D
7	Reverse rail shift latch plunger ...	21-D	38	Second and third sliding gear	21-D	69	Retainer gasket	21-D
8	Latch plunger spring	21-D	39	Mainshaft	21-D	70	Case drain plug	21-D
9	Reverse rail lug	21-D	40	Low and reverse sliding gear	21-D	71	Power take-off cover gasket	21-D
10	Case cover gasket	21-D	41	Rear bearing shim	21-D	72	Power take-off cover	21-D
11	Case cover	21-D	42	Countershaft rear bearing	21-D	73	Cover screw	21-D
12	Case cover screw lockwasher	21-D	43	Countershaft	21-D	74	Cover screw lockwasher	21-D
13	Case cover screw	21-D	44	Countershaft cluster gear key	21-D	75	Case filler plug	21-D
14	Gearshift lever ball cap	21-D	45	Cluster gear spacer	21-D	76	Countershaft front bearing	21-D
15	Rail interlock ball	21-D	46	Countershaft cluster gear	21-D	77	Front bearing ret. washer	21-D
16	Fourth and direct shift rail	21-D	47	Cluster gear thrust washer	21-D	78	Washer screw	21-D
17	Low and reverse shift rail	21-D	48	Idler shaft bearing end spacer	21-D	79	Washer screw lockwire	21-D
18	Rail poppet ball	21-D	49	Idler gear roller	21-D	80	Retainer gasket	21-D
19	Rail poppet ball spring	21-D	50	Idler gear	21-D	81	Front bearing retainer	21-D
20	Rail hole plug	21-D	51	Idler gear bushing	21-D	82	Retainer screw lockwasher	21-D
21	Second and third shift rail	21-D	52	Idler gear shaft	21-D	83	Retainer screw	21-D
22	Rail interlock pin	21-D	53	Shaft lock plate	21-D	84	Bearing retainer screw lockwasher ..	21-D
23	Gearshift lever	21-D	54	Lock plate screw lockwasher	21-D	85	Retainer screw	21-D
24	Low and second rail lug	21-D	55	Lock plate screw	21-D	86	Main drive brg. retainer	21-D
25	Fourth and direct shift fork	21-D	56	Mainshaft rear bearing	21-D	87	Retainer gasket	21-D
26	Synchronizer stop ring - outer	21-D	57	Speedometer drive gear	21-E	88	Bearing nut	21-D
27	Synchronizer stop ring assy.	21-D	58	Rear bearing retainer gasket	21-D	89	Main drive gear bearing	21-D
28	Synchronizer sliding clutch	21-D	59	Rear bearing retainer	21-D	90	Main drive gear	21-D
29	Synchronizer snap ring	21-D	60	Retainer oil seal	21-D	91	Mainshaft pilot bearing	21-D
30	Synchronizer clutch gear	21-D	61	Transmission end flange	16-E	92	Case	21-D
31	Mainshaft fourth speed gear	21-D	62	Flange nut cotter pin	16-E			

GROUP 21 - TRANSMISSION



Ref. No.	Part Name	Group	Ref. No.	Part Name	Group	Ref. No.	Part Name	Group
1	Rail plug.....	21-C	37	Speedometer gear.....	21-D	67	Mainshaft pilot bearing.....	21-C
2	Gearshift rail.....	21-C	38	Countershaft key.....	21-C	68	Main drive gear bearing.....	21-C
3	Rail poppet ball.....	21-C	39	Countershaft bearing - rear.....	21-C	69	Main drive gear bearing.....	21-C
4	Rail interlock pin.....	21-C	40	Countershaft rear bearing retainer washer.....	21-C	70	Main drive gear lock nut.....	21-C
5	Rail plug.....	21-C	41	Countershaft rear bearing retainer washer bolt.....	21-C	71	Main drive gear bearing retainer gasket.....	21-C
6	Rail poppet ball.....	21-C	42	Countershaft rear bearing retainer lockwire.....	21-C	72	Main drive gear gearing retainer.....	21-C
7	Rail poppet spring.....	21-C	43	Reverse shaft bearing spacer.....	21-C	73	Main drive gear bearing retainer screw & washer.....	21-C
8	Rail poppet ball.....	21-C	44	Reverse shaft bearing.....	21-C	74	Main drive gear bearing retainer screw & washer.....	21-C
9	Rail poppet spring.....	21-C	45	Reverse idler shaft.....	21-C	75	Reverse idler gear.....	21-C
10	Rail plug.....	21-C	46	Case filler plug.....	21-C	76	Reverse shaft bearing.....	21-C
11	Rail poppet spring.....	21-C	47	Mainshaft rear bearing retainer gasket	21-C	77	Countershaft.....	21-C
12	Rail poppet ball.....	21-C	48	Mainshaft rear bearing retainer.....	21-C	78	Countershaft third speed gear.....	21-C
13	Gearshift rail.....	21-C	49	Transmission flange nut cotter.....	16-E	79	Countershaft fourth speed gear.....	21-C
14	Gearshift lever guide pin.....	21-C	50	Transmission flange nut.....	16-E	80	Countershaft drive gear.....	21-C
15	Gearshift lever spring gear.....	21-C	51	Transmission flange.....	16-E	81	Drive gear retaining ring.....	21-C
16	Gearshift rail lug.....	21-C	52	Mainshaft bearing oil seal.....	21-C	82	Countershaft bearing washer.....	21-C
17	Gearshift fork screw.....	21-C	53	Mainshaft bearing ret. screw & washer..	21-C	83	Countershaft bearing - front.....	21-C
18	Gearshift lever spring.....	21-C	54	Countershaft rear bearing cap.....	21-C	84	Mainshaft third speed gear locating washer.....	21-C
19	Gearshift lever plunger.....	21-C	55	Countershaft rear bearing cap screw and washer.....	21-C	85	Mainshaft third speed gear.....	21-C
20	Gearshift lever plunger spring.....	21-C	56	Countershaft rear bearing cap gasket..	21-C	86	Mainshaft third speed gear rollers.....	21-C
21	Interlock plug.....	21-C	57	Countershaft bearing spacer.....	21-C	87	Mainshaft fourth speed gear locating washer.....	21-C
22	Gearshift lever.....	21-C	58	Case drain plug.....	21-C	88	Mainshaft fourth speed gear bushing..	21-C
23	Gearshift lever ball cap.....	21-C	59	Reverse idler shaft lock screw.....	21-C	89	Mainshaft fourth speed gear.....	21-C
24	Cover screw and washer.....	21-C	60	Reverse idler shaft lock.....	21-C	90	Mainshaft fourth speed gear rollers..	21-C
25	Gearshift cover.....	21-C	61	Power take-off cover screw & washer....	21-C	91	Mainshaft fourth speed gear locating washer.....	21-C
26	Gearshift cover gasket.....	21-C	62	Power take-off cover.....	21-C	92	Mainshaft fourth speed gear retainer ring.....	21-C
27	Gearshift lever plunger nut.....	21-C	63	Power take-off cover gasket.....	21-C	93	Mainshaft fourth and high speed gear..	21-C
28	Gearshift rail lug.....	21-C	64	Transmission case.....	21-C	94	Gearshift screw.....	21-C
29	Gearshift fork.....	21-C	65	Countershaft front bearing retainer plug.....	21-C	95	Gearshift fork.....	21-C
30	Gearshift fork screw.....	21-C	66	Countershaft front bearing retainer ring.....	21-C			
31	Gearshift fork screw lockwire.....	21-C						
32	Second and third sliding gear.....	21-C						
33	Low and reverse sliding gear.....	21-C						
34	Fourth speed gear bushing retaining pin	21-C						
35	Mainshaft.....	21-C						
36	Mainshaft rear bearing.....	21-C						

GROUP 21 - TRANSMISSION - 3 SPEED

PART NAME	PART NO.	MODEL CODES										
		DG AND FO					DH AND FP					
		1	2	3	4	5	6	1	2	4	5	6
GROUP 21-A TRANSMISSION - 3 SPEED												
Transmission - 3 Speed												
Assy. - less fluid drive - with strut type synchro - - - - -	1265485	1
Assy. - less fluid drive - with pin type synchro - - - - -	1263859	1
Assy. - with fluid drive - - - - -	1268880	1
Assy. - with fluid drive - - - - -	1268886	..	1
Assy. - - - - -	1265485	1
Assy. - - - - -	1262249	..	1	1
Transmission Packages												
Package - small parts- - - - -	939735	1	1	1	1
Package - gasket - - - - -	1063658	1	1	1	1
Package - strut type synchro. spring and plate - - - - -	1064536	1	1	1	1

TRANSMISSION COMPONENT PARTS	QTY.	1265485 Assy.	1263859 Assy.	1262249 Assy.	1268880 Assy.	1268886 Assy.
Transmission Case						
Case - - - - -	1	599291	599291	599291	599291	599291
Drain plug - - - - -	1	103869	103869	103869	103869	103869
Filler plug- - - - -	1	103875	103875	103875	103875	103875
Transmission Mainshaft						
Mainshaft- - - - -	1	599734	599734	599734	599734	599734
Pilot bearing roll - - - - - †	14	602007	602007	602007	602007	602007
Snap ring- - - - - †	1	601108	601108	601108	601108	601108
Bearing - rear - - - - -	1	579211	579211	579211	579211	579211
Shim - bearing - - - - -	*		1265452			
Oil seal - - - - -	1	600420	600420	600420	600420	600420
Bearing retainer - hand brake support	1	579202	579202	579239	579202	579239
Gasket - brake support - - - - - †	1	579234	579234	579234	579234	579234
Screw - support- - - - -	4	122126	122126	122126	122126	122126
Lockwasher - - - - -	4	120382	120382	120382	120382	120382
Transmission Synchronizer - Strut Type						
Clutch gear and sleeve assy. - - - -	1	1115595	..	1115595	1115595	1115595
Gear - - - - -	1	853863	..	853863	853863	853863
Sleeve - - - - -	1	856464	..	856464	856464	856464
Stop ring - bronze forging - - - - -	2	853867	..	853867	853867	853867
Snap ring - thin - - - - - †	*	631823	..	631823	631823	631823
Snap ring - medium - - - - - †	*	631824	..	631824	631824	631824
Snap ring - thick- - - - -	*	631825	..	631825	631825	631825
Snap ring - extra thick- - - - -	*	640332	..	640332	640332	640332
Transmission Synchronizer - Pin Type						
Clutch gear- - - - -	1	..	1270335
Sleeve - clutch gear - - - - -	1	..	1196888
Spring - - - - -	3	..	1196898
Stop ring assy. - outer - with pins-	2	..	1196894
Stop ring - inner- - - - -	2	..	1196890
Snap ring - thin - - - - - †	*	..	631823
Snap ring - medium - - - - - †	*	..	631824
Snap ring - thick- - - - -	*	..	631825
Snap ring - extra thick- - - - -	*	..	640332

† Indicates amount used as required.

‡ Indicates parts included in packages.

GROUP 21 - TRANSMISSION - 3 SPEED

TRANSMISSION COMPONENT PARTS - (Cont'd)	QTY	1265485 Assy.	1263859 Assy.	1262249 Assy.	1268880 Assy.	1268886 Assy.
Transmission Countershaft						
Countershaft - - - - -	1	579200	579200	579200	579200	579200
Plate - reverse idler and c/shaft lock- - - - -	1	579194	579194	579194	579194	579194
Screw - plate- - - - -	1	122007	122007	122007	122007	122007
Lockwasher - - - - -	1	120214	120214	120214	120214	120214
Washer - end - - - - - †	2	579230	579230	579230	579230	579230
Bearing needle - - - - - †	44	580203	580203	580203	580203	580203
Spacer - - - - -	1	579231	579231	579231	579231	579231
Spacer - end - - - - -	1	579193	579193	579193	579193	579193
Transmission Reverse Idler Gear						
Gear assy. with bushing- - - - -	1	579196	1394367	579196	579196	579196
Bushing- - - - -	1	579197	579197	579197	579197	579197
Transmission Reverse Idler Shaft						
Shaft- - - - -	1	579203	579203	579203	579203	579203
Transmission Main Drive Pinion Or Gear						
Pinion - - - - -	1	599620	1196886	599620	1268890	1268890
Bearing- - - - -	1	619167	619167	619167	619167	619167
Locknut - bearing- - - - -	1	579199	579199	579199	579199	579199
Retainer - bearing - - - - -	1	579304	579304	579304	579304	579304
Gasket - retainer- - - - - †	1	1090121	1090121	1090121	1090121	1090121
Screw - retainer - - - - -	4	122007	122007	122007	122007	122007
Lockwasher - - - - -	4	138486	138486	138486	138486	138486
Bushing - in end of crankshaft - - -	1	53298	53298	53298	53298	53298
Transmission Gears						
Gear - sliding - first and reverse -	1	599735	1394366	599735	599735	599735
Gear - second speed- - - - -	1	599736	1196897	599736	599736	599736
Transmission Countershaft Gear						
Gear - cluster - - - - -	1	599741	1394369	599741	599741	599741
Thrust washer - .120 thick - - - - -	*	584310	584310	584310	584310	584310
Thrust washer - .124 thick - - - - -	*	579198	579198	579198	579198	579198
Transmission Gearshift Housing Or Cover						
Housing- - - - -	1	1263810	1263810	1263810	1263810	1263810
Gasket - - - - -	1	579217	579217	579217	579217	579217
Screw - L.H.D. - - - - -	5	120229	120229	120229	120229	120229
Screw - - - - -	1	122007	122007	122007	122007	122007
Screw - short - R.H.D. - - - - -	3	120229	120229	120229	120229	120229
Screw - long - R.H.D.- - - - -	2	122027	122027	122027	122027	122027
Lockwasher - - - - -	6	120214	120214	120214	120214	120214
Transmission Gearshift Levers And Shaft						
Lever - inner- - - - -	1	1500246	1500246	1500246	1500246	1500246
Spring - retainer- - - - -	1	1265600	1265600	1265600	1265600	1265600
Pin - lever- - - - -	1	1391120	1391120	1391120	1391120	1391120
Lock spring - pin- - - - -	1	1268666	1268666	1268666	1268666	1268666
Shaft- - - - -	1	1263803	1263803	1263803	1263803	1263803
Screw - shaft- - - - -	1	1263801	1263801	1263801	1263801	1263801
Lockwasher - - - - -	1	120214	120214	120214	120214	120214
Lever - outer- - - - -	1	1263800	1263800	1263800	1263800	1263800
Nut - lever- - - - -	1	120369	120369	120369	120369	120369
Plainwasher- - - - -	1	120394	120394	120394	120394	120394
Lockwasher - - - - -	1	120382	120382	120382	120382	120382
Transmission Gearshift Selector						
Assy. - selector cam and shaft - - -	1	1273768	1273768	1273768	1273768	1273768
Snap ring- - - - -	1	1268668	1268668	1268668	1268668	1268668

* Indicates amount used as required.

† Indicates parts included in packages.

GROUP 21 - TRANSMISSION - 3 SPEED

TRANSMISSION COMPONENT PARTS - (Cont'd)	QTY.	1265485 Assy.	1263859 Assy.	1262249 Assy.	1268880 Assy.	1268886 Assy.
Transmission Gearshift Selector - (Cont'd)						
Lever - - - - -	1	1263802	1263802	1263802	1263802	1263802
Nut - - - - -	1	120369	120369	120369	120369	120369
Lockwasher- - - - -	1	120382	120382	120382	120382	120382
Transmission Gearshift Rail						
Assy. - second and direct - - - - -	1	1265451	1263467	1265451	1265451	1265451
Rivet - fork- - - - -	2	104168	104168	104168	104168	104168
Rail - low and reverse- - - - -	1	579221	579221	579221	579221	579221
Retainer - rear - - - - -	1	917549	917549	917549	917549	917549
Retainer - front- - - - -	1	579235	579235	579235	579235	579235
Rivet - frt. and rear retainer- - -	4	108682	108682	108682	108682	108682
Ball - rail interlock - - - - -	1	119282	119282	119282	119282	119282
Ball - rail selector- - - - -	2	104919	104919	104919	104919	104919
Spring - selector ball- - - - -	2	1392267	1392267	1392267	1392267	1392267
Transmission Gearshift Cross Shaft Support Tube And Brackets - R.H.D.						
Assy. - complete- - - - -	1	1265203	1265203	1265203	1265203	1265203
Bushing - support tube- - - - -	2	1261898	1261898	1261898	1261898	1261898
Shaft - cross - - - - -	1	1265207	1265207	1265207	1265207	1265207
Nipple - shaft- - - - -	1	110309	110309	110309	110309	110309
Lever - cross shaft - - - - -	1	1265208	1265208	1265208	1270907	1270907
Nut - lever - - - - -	2	120369	120369	120369	120369	120369
Plainwasher - - - - -	2	120394	120394	120394	120394	120394
Lockwasher- - - - -	2	120382	120382	120382	120382	120382
Rod - lever - - - - -	1	1265209	1265209	1265209	1265209	1265209
Washer- - - - -	2	748108	748108	748108	748108	748108
Washer- - - - -	2	1138734	1138734	1138734	1138734	1138734
Cotter- - - - -	2	1137669	1137669	1137669	1137669	1137669
Speedometer						
For speedometer and parts see group 21D - end of 5 speed trans. group.						

* Indicates amount used as required.

† Indicates parts included in packages.

GROUP 21 - TRANSMISSION - 4 SPEED

21-16

PART NAME	PART NO.	MODEL CODES										
		DG AND FO					DH AND FP					
		1	2	3	4	5	6	1	2	4	5	6
GROUP 21-B TRANSMISSION - 4 SPEED												
Note: Two type of transmission were used on truck models DG4 - FO4 - DG5 - FO5 and can be identified by position of the transmission drain plugs.												
Transmission - 4 Speed												
Assy. - less fluid drive - - - - -	1261561	..	1	1	1
Assy. - with fluid drive - - - - -	1268903	..	1
Assy. - with drain plug at rear of case - -	1265987	1	1
Assy. - with drain plug at right side of case - - - - -	1391570	1	1
Assy. - - - - -	1391570	1	1
TRANSMISSION COMPONENT PARTS		QTY.	1261561 Assy.	1265987 Assy.	1268903 Assy.	1391570 Assy.						
Transmission Case												
Case - - - - -	1	1273227	1265988	1273227	1391571							
Drain plug - - - - -	1	103875	103875	103875	103875							
Filler plug - - - - -	1	666853	666853	666853	666853							
Power Take - Off Cover												
Cover - - - - -	1	556875	556875	556875	556875							
Gasket - - - - - †	1	567500	567500	567500	567500							
Screw - - - - -	6	122119	122119	122119	122104							
Lockwasher - - - - -	6	120382	120382	120382	138489							
Transmission Gasket Package												
Package - - - - -	1	1105229	1316362	1105229	1107743							
Transmission Mainshaft												
Mainshaft - - - - -	1	556830	1265991	556830	1391587							
Pilot bearing - - - - -	1	556910	1091903	556910	..							
Pilot roller - - - - -	16	1391588							
Spacer - - - - -	1	556873	1091904	556873	566493							
Shim - - - - -	*	..	1265992							
Snap ring - - - - -	1	598232	..	598232	1391573							
Washer - - - - -	1	556832	..	556832	..							
Oil slinger - - - - -	1	556892	..	556892	..							
Transmission Mainshaft Rear Bearing Retainer												
Assy. - - - - -	1	1194254	1272918	1196386	1391611							
Gasket - - - - - †	2	1090129	1090129	1090129	..							
Gasket - thin - - - - - †	*	1391614							
Gasket - medium - - - - -	*	1391615							
Gasket - thick - - - - -	*	1391616							
Gasket - extra thick - - - - -	*	1391617							
Screw - short - - - - -	4	122017	122017	122017	120233							
Screw - long - - - - -	1	122065	122065	122065	122181							
Lockwasher - - - - -	5	120214	120214	120214	138489							
Oil seal - - - - -	1	593596	593596	593596	593596							
Transmission Countershaft												
Shaft - - - - -	1	556881	..	556881	1391618							
Countershaft gears - - - - -	1	597209	..	597209	1391619							
Countershaft and gears - - - - -	1	..	1265999							
Bearing - - - - -	2	556911	..	556911	..							
Spacer - - - - -	1	556895	..	556895	..							
Bearing - front - - - - -	1	..	619167							

† Indicates amount used as required.

‡ Indicates parts included in packages.

GROUP 21 - TRANSMISSION - 4 SPEED

TRANSMISSION COMPONENT PARTS - (Cont'd)	QTY	1261561 Assy.	1265987 Assy.	1268903 Assy.	1391570 Assy.
Transmission Countershaft - (Cont'd)					
Needle bearing - - - - -	88	565291
Spacer - - - - -	6	1391620
Spacer - - - - -	1	1391621
Thrust washer - - - - -	2	1273228	1273228	
Thrust washer - front - bronze - - - - -	1	1391622
Thrust washer - rear - bronze - - - - -	1	1391623
Thrust washer - rear - steel - - - - -	1	1391624
Retainer - - - - -	1	1266000
Gasket - - - - - †	1	1266001
Screw - - - - -	4	120229
Lockwasher - - - - -	4	120214
Washer - - - - -	1	1265670
Screw - - - - -	2	1265671
Lockwire - - - - -	1	522295
Bearing - rear - - - - -	1	1265674
Retainer assy. - - - - -	1	1266002
Gasket - - - - - †	1	1266004
Screw - - - - -	4	120229
Lockwasher - - - - -	4	120214
Transmission Reverse Idler Shaft					
Shaft - - - - -	1	556883	1266008	556883	1391631
Lock plate - - - - -	1	556888	1266009	556888	556888
Screw - - - - -	1	122119	122119	122119	122119
Lockwasher - - - - -	1	120382	120382	120382	138489
Transmission Main Drive Pinion Or Gear					
Gear - - - - -	1	597205	1270990	1268904	1391572
Snap ring - front - - - - -	1	556833	556833
Bearing - - - - -	1	620520	1090119	620520	566493
Spacer ring - - - - -	1	1391580
Snap ring - rear - - - - -	1	598231	598231
Snap ring - - - - -	1	1391573
Oil slinger - - - - -	1	556885	556885	1391581
Transmission Main Drive Gear Bearing Retainer					
Retainer - - - - -	1	556778	1265638	1263836	1391574
Gasket - - - - - †	1	1090121	1090121	1090121
Gasket - thin - - - - - †	*	1391576
Gasket - medium - - - - -	*	1391577
Gasket - thick - - - - -	*	1391578
Gasket - extra thick - - - - -	*	1391579
Nut - - - - -	1	1265637
Screw - lower - - - - -	2	122017	122017	122017	1391660
Screw - upper - - - - -	2	120229	122007	122007	1391661
Lockwasher - - - - -	4	138485	138485	138485
Lockwasher - lower - - - - -	2	1391662
Lockwasher - upper - - - - -	2	120214
Snap ring - - - - -	1	598231	598231
Snap ring - thin - - - - -	*	1391583
Snap ring - medium - - - - -	*	1391584
Snap ring - thick - - - - -	*	1391585
Snap ring - extra thick - - - - -	*	1391586
Transmission Gears					
Low and 2nd - sliding - - - - -	1	597207	1265998	597207	
2nd speed - - - - -	1	1265996	1391599
Roller - - - - -	46	1265658
Roller - - - - -	34	1391600
Locating washer - - - - -	1	1265997
Thrust washer - - - - -	1	1391601
Snap ring - - - - -	1	1391602
Spacer - roller - - - - -	1	1391603
3rd and direct - sliding - - - - -	1	597208	597208
3rd speed - with bushing - - - - -	1	1391596
3rd speed - - - - -	1	1270985

† Indicates amount used as required.

‡ Indicates parts included in packages.

GROUP 21 - TRANSMISSION - 4 SPEED

TRANSMISSION COMPONENT PARTS - (Cont'd)	QTY.	1261561 Assy.	1265987 Assy.	1268903 Assy.	1391570 Assy.
Transmission Gears - (Cont'd)					
Bushing - - - - -	1	1265994	1391598
Pin - - - - -	1	1265655
Locating washer - - - - -	1	1265995
Transmission Reverse Idler Gear					
Assy. - - - - -	1	912072	1266005	912072	1391625
Bushing - - - - -	1	556848	1266007	556848
Sleeve - - - - -	1	1391627
Roller- - - - -	74	1265658
Spacer- - - - -	1	1391628
Thrust washer - - - - -	2	1391629
Snap ring - - - - -	2	1391630
Transmission 2nd Speed Synchronizer					
Assy. - - - - -	1	1391605
Stop ring - - - - -	1	1391604
Shifting plate- - - - -	3	1391607
Snap ring - - - - -	1	1391608
Poppet ball - - - - -	3	104920
Poppet spring - - - - -	3	1391609
Snap ring - - - - -	2	1391602
Transmission Synchronizer Stop Ring					
Assy. - includes pin- - - - -	1	1265642
Stop ring - outer - - - - -	2	1265645
Stop ring - - - - -	2	1391594
Clutch gear and sleeve assy.- - - - -	1	1391589
Clutch gear - - - - -	1	1270987
Shifting plate- - - - -	3	1391593
Spring- - - - -	2	1391592
Snap ring - .086 - .088 - - - - -	*	1265649
Snap ring - .089 - .091 - - - - -	*	1265650
Snap ring - .092 - .094 - - - - -	*	1265651
Snap ring - .095 - .097 - - - - -	*	1265652
Snap ring - - - - -	1	1391595
Transmission Case Cover					
Cover - - - - -	1	1196385	1266011	1196385	1391633
Gasket- - - - -	1	1196442	1266012	1196442	1391634
Screw - long- - - - -	*	122181	122181	122181
Screw - short - - - - -	*	120233	120233	120233
Screw - - - - -	6	120233
Lockwasher- - - - -	*	120382	120382	120382	120382
Breather assy.- - - - -	1	1391657
Plug - rail hole- - - - -	6	103892	103892	103892	103892
Transmission Gearshift Rail					
Rail - reverse fork - - - - -	1	556903	1266022	556903
Rail - reverse- - - - -	1	1196388	1266016	1196388	1391643
Lug - reverse fork- - - - -	1	1194322	1266018	1194322	1391645
Plunger - - - - -	1	1265689	1391646
Snap ring - - - - -	1	1265690
"C" washer- - - - -	1	1391647
Spring- - - - -	1	567499	1391648
Ball - poppet - - - - -	1	104918
Spring - poppet - - - - -	1	1391649
Cotter pin- - - - -	1	108630
Rail - low and 2nd- - - - -	1	1196389	1266015	1196389	1391641
Lug - low and 2nd - - - - -	1	1194341	1194341	1194341	1391642
Rail - 3rd and direct - - - - -	1	1196390	1266014	1196390	1391640
Ball - poppet - - - - -	3	104920	104920	104920	104920
Spring - poppet ball- - - - -	3	517373	517373	517373	517373
Plunger - interlock - - - - -	2	556882	556882	556882	556882
Pin - interlock - - - - -	1	556890	1265694	556890	1265694
Stop- - - - -	1	517364	517364

* Indicates amount used as required.

† Indicates parts included in packages.

GROUP 21 - TRANSMISSION - 4 SPEED

TRANSMISSION COMPONENT PARTS - (Cont'd)	QTY.	1261561 Assy.	1265987 Assy.	1268903 Assy.	1391570 Assy.
Transmission Gearshift Rail - (Cont'd)					
Hole plug - interlock - - - - -	1	928178	928178	928178	1391656
Transmission Gearshift Fork					
Fork - reverse- - - - -	1	588008	1266021	588008
Arm - reverse - - - - -	1	1391652
Shoe - arm- - - - -	1	1391653
"C" washer- - - - -	1	1391654
Pivot - - - - -	1	1391655
Pin - groove- - - - -	1	142488
Fork - 1st and 2nd- - - - -	1	1260887	1266020	1260887	1391651
Fork - 3rd and direct - - - - -	1	1260888	1266019	1260888	1391650
Lockscrew - - - - -	4	517362	517362	517362	517362
Lockwire- - - - -	4	556944	556944	556944	522295
Transmission Gearshift Lever					
Lever - - - - -	1	1194325	1266013	1268091	1391635
Plate - ball friction- - - - -	1	571391	571391	571391
Cap - ball- - - - -	1	317448	317448	317448
Pin - guide - - - - -	1	571390	571390	571390	1391638
Spring- - - - -	1	584309	1268587	584309	1391636
Retainer- - - - -	1	1391637
Cap - retainer- - - - -	1	1391639
Transmission Lever Stop Plunger					
Plunger - - - - -	1	571392	571392
Spring- - - - -	1	572035	572035
Retainer- - - - -	1	313515	313515
Check nut - - - - -	1	313516	313516
Washer- - - - -	1	313514	313514
Plug- - - - -	1	313503	313503
Speedometer					
For speedometer and parts see group 21D - end of 5 Speed Trans. Group					

* Indicates amount used as required.

† Indicates parts included in packages.

GROUP 21 - TRANSMISSION - 5 SPEED

21-20

Parts referred to "Note 1" were used up to and including:
 Parts referred to "Note 2" were used after the following Engine Serial No's.

DG5-F05-T317-3053 C
 DG6-F06-T319-5206 C

Exceptions T319-5181 C to 5194 C inclusive, used "Note 2" transmission.

PART NAME	PART NO.	MODEL CODES											
		DG AND FO					DH AND FP						
		1	2	3	4	5	6	1	2	4	5	6	7
GROUP 21-C TRANSMISSION - 5 SPEED													
Transmission - 5 Speed													
Assy. - export - - - - -	1272974	1	1
Assy. - Note 1 - less overdrive- - - - -	1265634	1	1
Assy. - Note 1 - with overdrive- - - - -	1266729	1	1	1	..
Assy. - Note 2 - less overdrive- - - - -	1272974	1	1	1	1	..
Assy. - Note 2 - with overdrive- - - - -	1274648	1	1
Assy. - - - - -	1501891	1
TRANSMISSION COMPONENT PARTS	QTY.	1265634 Assy.	1272974 Assy.	1266729 Assy.	1274648 Assy.	1501891 Assy.							
Transmission Case													
Case - - - - -	1	1265635	1265635	1265635	1265635	1194013							
Filler plug - - - - -	1	103875	103875	103870	103870	103869							
Drain plug- - - - -	1	666853	666853	666853	666853	666853							
Power Take-Off Cover													
Cover- - - - -	*	556875	556875	556875	556875	556875							
Gasket- - - - -	*	567500	567500	567500	567500	567500							
Screw - - - - -	12	122104	122104	122104	122104	122104							
Lockwasher- - - - -	12	120382	120382	120382	120382	120382							
Transmission Gasket Package													
Package- - - - -	1	1316363	1316363	1316363	1316363	1064619							
Transmission Mainshaft													
Mainshaft- - - - -	1	1265640	1265640	1265640	1265640	567399							
Pilot bearing - - - - -	1	1091903	1091903	1091903	1091903	567656							
Spacer- - - - -	1	1091904	1091904	1091904	1091904							
Rear bearing- - - - -	1	566493	566493	566493	566493	566493							
Shim- - - - -	*	1265704	1265704	1265704	1265704							
Mainshaft Rear Bearing Retainer													
Assy. - - - - -	1	1196650	1272927	1196650	1272927	1272927							
Gasket- - - - -	1	567402	567402	567402	567402	567402							
Screw - short - - - - -	4	120233	120233	120233	120233	120233							
Screw - long- - - - -	1	122194	122188	122194	122188	122188							
Lockwasher- - - - -	5	120382	120382	120382	120382	120382							
Washer- - - - -	1	574780	574780	574780	574780	574780							
Oil seal assy.- - - - -	1	567878	567878	567878	567878	567878							
Transmission Countershaft													
Countershaft and gears assy. - - - - -	1	1265662	1265662	1266832	1266832	1194016							
Countershaft- - - - -	1	1265663	1265663	1265663	1265663	1265663							
Countershaft with 3 gears machined on shaft - - - - -	1	1194017							
Cluster gear- - - - -	1	1265664	1265664	1265251	1265251							
Spacer- - - - -	1	1265666	1265666	1265666	1265666							
Thrust washer - - - - -	1	1265665	1265665	1265665	1265665							
Key - - - - -	1	1265667	1265667	1265667	1265667							

* Indicates amount used as required.

† Indicates parts included in packages.

GROUP 21 - TRANSMISSION - 5 SPEED

TRANSMISSION COMPONENT PARTS - (Cont'd)	QTY.	1265634 Assy.	1272974 Assy.	1266729 Assy.	1274648 Assy.	1501891 Assy.
Transmission Countershaft - (Cont'd)						
Bearing - front - - - - -	1	619167	619167	619167	619167	619167
Retainer - brg. - - - - -	1	1265668	1265668	1265668	1265668
Retainer ring - - - - -	1	565317
Retainer plug - - - - -	1	565318
Gasket - ret. - - - - -	2	1265669	1265669	1265669	1265669
Washer - brg. ret. - - - - -	1	1265670	1265670	1265670	1265670
Washer - brg. - - - - -	1	567416
Screw - washer - - - - -	2	1265671	1265671	1265671	1265671
Screw - ret. - - - - -	4	122007	122007	122007	122007
Lockwasher - - - - -	4	120214	120214	120214	120214
Lockwire - - - - -	1	572251	572251	572251	572251
Bearing - rear - - - - -	1	1265674	1265674	1265674	1265674	567708
Retainer - brg. - - - - -	1	1265673	1265673	1265673	1265673
Gasket - ret. - - - - -	1	1265675	1265675	1265675	1265675
Screw - - - - -	4	122007	122007	122007	122007
Lockwasher - - - - -	4	120214	120214	120214	120214
Spacer - - - - -	1	585281
Washer - ret. - - - - -	1	585282
Snap ring - - - - -	1	567757
Screw - wa. - - - - -	2	120647
Lockwire - - - - -	1	572551
Cap - brg. - - - - -	1	585279
Gasket - cap. - - - - -	1	585280
Screw - cap. - - - - -	4	120233
Lockwasher - - - - -	4	120382
Reverse Idler Gear Shaft						
Shaft - - - - -	1	1265678	1265678	1265678	1265678	1194018
Rollers - - - - -	62	580203	580203	580203	580203
Bearing - - - - -	2	567656
Spacer - - - - -	1	1265679	1265679	1265679	1265679	1194019
Spacer - end - - - - -	2	1265680	1265680	1265680	1265680
Lock - - - - -	1	553798	553798	553798	553798	553798
Screw - - - - -	1	122104	122104	122104	122104	122104
Lockwasher - - - - -	1	120382	120382	120382	120382	120382
Reverse Idler Gear						
Gear - - - - -	1	1265677	1265677	1265677	1265677	1193903
Main Drive Gear - Bearing - Retainer						
Gear - - - - -	1	1270989	1270989	1266834	1266834	567417
Bearing - - - - -	1	1090119	1090119	1090119	1090119	567707
Retainer - - - - -	1	1265638	1265638	1265638	1265638	567713
Gasket - - - - -	*	1090121	1090121	1090121	1090121	565303
Nut - - - - -	1	1265637	1265637	1265637	1265637	567488
Screw - upper - - - - -	2	122007	122007	122007	122007	120229
Screw - lower - - - - -	2	120228	120228	120228	120228	122017
Lockwasher - - - - -	4	138485	138485	138485	138485	138485
Transmission Gears - On Mainshaft						
4th speed gear - - - - -	1	1270986	1270986	567405
Overdrive gear - - - - -	1	1266875	1266875
Bushing - - - - -	1	1265654	1265654	1265654	1265654
Bushing - roller - 1.015" - 1.018"	1	567400
Bushing - roller - 1.012" - 1.015"	1	1501217
Pin - ret. - - - - -	1	1265655	1265655	1265655	1265655	567489
Washer - 4th gear - - - - -	1	1265656	1265656
Washer - overdrive gear - - - - -	1	1266835	1266835
Roller - 4th gear - - - - -	37	565291
Retainer ring - - - - -	1	567491
Locating washer - frt. - 4th gr. - 118. - .120 - - - - -	*	1501340
Locating washer - frt. - 4th gr. - .119 - .121 - - - - -	*	1501345
Locating washer - frt. - 4th gr. - .121 - .123 - - - - -	*	1501341

* Indicates amount used as required.

† Indicates parts included in packages.

GROUP 21 - TRANSMISSION - 5 SPEED

TRANSMISSION COMPONENT PARTS - (Cont'd)	QTY.	1265634 Assy.	1272974 Assy.	1266729 Assy.	1274648 Assy.	1501891 Assy.
Transmission Gears - On Mainshaft - Cont'd						
Locating washer - frt. - 4th gr. - .124 - .126 - - - - -	*	1501342
Locating washer - frt. - 4th gr. - .127 - .129 - - - - -	*	1501343
Locating washer - frt. - 4th gr. - .130 - .132 - - - - -	*	1501344
3rd speed gear - - - - -	1	1265657	1265657	1266833	1266833	567403
Roller - - - - -	50	1265658	1265658	1265658	1265658
Roller - - - - -	35	567490
Locating washer - - - - -	1	1265659	1265659	1265659	1265659
Locating washer - .119 - .121 - -	*	1501346
Locating washer - .123 - .125 - -	*	1501347
Sliding Gear On Mainshaft						
2nd and 3rd speed gear - - - - -	1	1265660	1265660	1265660	1265660	1263686
Low and reverse speed gear - - - -	1	1265661	1265661	1265661	1265661	567426
4th and high speed gear - - - - -	1	567429
Synchronizer Stop Ring And Pin						
Assy. - - - - -	2	1265642	1265642	1265642
Assy. - - - - -	2	1501652
Stop ring - outer - - - - -	2	1265645	1265645	1265645
Stop ring - outer - - - - -	2	1501653
Sliding clutch - - - - -	1	1270988	1270988	1270988	1270988
Clutch gear - - - - -	1	1270987	1270987	1270987	1270987
Snap ring - .086 - .088 - - - - -	*	1265649	1265649	1265649	1265649
Snap ring - .089 - .091 - - - - -	*	1265650	1265650	1265650	1265650
Snap ring - .092 - .094 - - - - -	*	1265651	1265651	1265651	1265651
Snap ring - .095 - .097 - - - - -	*	1265652	1265652	1265652	1265652
Countershaft Gears						
Drive gear - - - - -	1	567419
Retaining ring - - - - -	1	567502
4th speed gear - - - - -	1	567422
3rd speed gear - - - - -	1	567423
Key - - - - -	1	113879
Transmission Case Cover Or Gearshift Housing						
Cover - - - - -	1	1265682	1265682	1265682	1265682	1196652
Pin - guide - - - - -	1	571390	571390	571390	571390	571390
Gasket - - - - -	1	1265683	1265683	1265683	1265683	567486
Screw - - - - -	8	120233	120233	120233	120233	122150
Lockwasher - - - - -	8	120382	120382	120382	120382	120382
Gearshift Rail						
Rail - low and reverse - - - - -	1	1391406	1391406	1391406	1391406	1392147
Rail - second and third - - - - -	1	1265685	1265685	1265685	1265685	1196653
Rail - fourth and direct - - - - -	1	1265686	1265686	1265686	1265686	1196654
Lug - low and reverse - - - - -	1	1265688	1265688	1265688	1265688	567411
Plunger - low and reverse lug latch - - - - -	1	1500335	1500335	1500335	1500335
Snap ring - - - - -	1	313514	313514	313514	313514
Spring - - - - -	1	567499	567499	567499	567499
Lug - second and third - - - - -	1	1265691	1265691	1265691	1265691	567409
Hole plug - - - - -	3	103893	103893	103893	103893	103892
Interlock ball - - - - -	4	104920	104920	104920	104920	104921
Interlock pin - - - - -	1	1265694	1265694	1265694	1265694	567498
Interlock hole plug - - - - -	1	928178	928178	928178	928178	103891
Poppet ball - - - - -	3	104920	104920	104920	104920	104921
Poppet spring - - - - -	3	517373	517373	517373	517373	567501

* Indicates amount used as required.

† Indicates parts included in packages.

GROUP 21 - TRANSMISSION - 5 SPEED

TRANSMISSION COMPONENT PARTS - (Cont'd)	QTY.	1265634 Assy.	1272974 Assy.	1266729 Assy.	1274648 Assy.	1501891 Assy.
Gearshift Fork						
Fork - low - reverse - second and third - - - - -	2	1265692	1265692	1265692	1265692	567427
Fork - fourth and direct - - - - -	1	1265693	1265693	1265693	1265693	1196656
Screw - fork to rail- - - - -	5	517362	517362	517362	517362	517362
Lockwire- - - - -	5	572551	572551	572551	572551	572551
Gearshift Lever						
Lever- - - - -	1	1267555	1267555	1267555	1267555	1195842
Spring- - - - -	1	1268587	1268587	1268587	1268587	569991
Seat - spring - - - - -	1	567497
Plate - ball friction - - - - -	1	571391	571391	571391	571391	
Latch plunger - low and reverse -	1	567407
Plunger spring- - - - -	1	567499
Plunger nut - - - - -	1	572448
Cotter- - - - -	1	103361
Ball cap- - - - -	1	317448	317448	317448	317448	317448
Knob assy.- - - - -	1	377971	377971	377971	377971	377971
Speedometer						
For speedometer and parts see Group 21-D						

* Indicates amount used as required.

† Indicates parts included in packages.

GROUP 21 - TRANSMISSION

PART NAME	PART NO.	MODEL CODES											
		DG AND FO					DH AND FP						
		1	2	3	4	5	6	1	2	4	5	6	7
GROUP 21-D SPEEDOMETER													
Speedometer													
Assy. - mile - - - - -	1271232	1	1	1	1	1	1	1	1	1	1	1	1
Assy. - kilo. - - - - -	1272319	1	1	1	1	1	1	1	1	1	1	1	1
Screw - mtg. - - - - -	163217	4	4	4	4	4	4	4	4	4	4	4	4
Eyelet - - - - -	1263532	4	4	4	4	4	4	4	4	4	4	4	4
Screw - hsg. to chassis - - - - -	121832	2	2	2	2	2	2	2	2	2	2	2	2
Lockwasher - - - - -	121841	2	2	2	2	2	2	2	2	2	2	2	2
Bezel - - - - -	1260775	1	1	1	1	1	1	1	1	1	1	1	1
Gasket - - - - -	1262973	1	1	1	1	1	1	1	1	1	1	1	1
Glass - dial - - - - -	1262972	1	1	1	1	1	1	1	1	1	1	1	1
Gasket - - - - -	1262971	1	1	1	1	1	1	1	1	1	1	1	1
Bulb - - - - -	830336	1	1	1	1	1	1	1	1	1	1	1	1
Speedometer Cable													
Assy. - - - - -	1343929	1	1	1	1	1	1	1	1	1	1	1	1
Drive shaft assy. - 55" long - less fluid drive - - - - -	1260731	1	1	1	1	1	1	1
Drive shaft assy. - 59" long - with fluid drive - - - - -	1163782	1	1
Drive shaft assy. - 59" long - - - - -	1163782	1	1	1	1	1
Drive pinion sleeve and seal - - - - -	1139156	1	1	1	1
Drive pinion oil seal - - - - -	1134949	1	1	1	1
Drive pinion bushing - - - - -	516268	1	1	1	1	1
Drive pinion retainer nut - 4 speed trans. - - - - -	561480	1	1	1	1	1
Drive pinion retainer nut - 5 speed trans. - - - - -	567485	1	1	1	1	1	1	1
Drive gear spacer - - - - -	556941	1
Drive gear spacer - - - - -	1090153	1	1	1	1
Clip - - - - -	642328	1	1	1	1	1	1	1	1	1	1	1	1
Speedometer Cable Lubricant													
1 pound can - - - - -	1103615	*	*	*	*	*	*	*	*	*	*	*	*
Note: For speedometer gear and pinion chart see next page.													

NOTES:

Indicates amount used as required.

† Indicates parts included in packages.

GROUP 21 - TRANSMISSION

GROUP 21-D SPEEDOMETER - (CONT'D)

SPEEDOMETER GEAR AND PINION CHART
3 SPEED TRANSMISSION-SINGLE SPEED AXLE

Tire Size	4.1 to 1 axle		4.3 to 1 axle		4.78 to 1 axle		4.89 to 1 axle	
	Gear	Pinion	Gear	Pinion	Gear	Pinion	Gear	Pinion
6.00 x 16	579515	916416	579515	918872	579515	579514	579515	579514
6.50 x 16	579515	916416	579515	918872	579515	579513	579515	579513
6.70 x 15	579515	916416	579515	579513		
7.00 x 16	579515	579510	579515	916416	579515	579513
7.50 x 16	1268547	1268549	579515	579510	579515	918872
8.25 x 16	579516	652846	579516	652842
7.00 x 17	579515	579513	579515	918872
7.50 x 17	1268547	1268549	1268547	1268549	579515	916416

4 SPEED TRANSMISSION-SINGLE SPEED AXLE

	4.3 to 1 axle		4.89 to 1 axle		4.1 to 1 axle			
	Gear	Pinion	Gear	Pinion	Gear	Pinion		
6.50 x 16	561816	571654	561651	571653		
7.00 x 16	561816	571654	561816	571656	561816	571653		
7.50 x 16	561816	571653	561816	571655	1268550	1268552		
8.25 x 16	1268550	1268552	561816	571654		
7.00 x 17	561816	571653	561816	571655		
7.50 x 17	1268550	1268552	561816	571654	1268550	1268552		

	5.57 to 1 axle		6.33 to 1 axle		6.83 to 1 axle			
	Gear	Pinion	Gear	Pinion	Gear	Pinion		
6.50 x 20	561816	571656	561651	571654	561651	571656		
7.00 x 20	561816	571655	561651	571654	561651	571655		
7.50 x 20	561816	571655	561651	571653	561651	571655		
8.25 x 20	561651	571654		

NOTE: For use with trans. with drain plug at rear of case.

	5.57 to 1 axle		6.33 to 1 axle		6.83 to 1 axle			
	Gear	Pinion	Gear	Pinion	Gear	Pinion		
6.50 x 20	1391664	571656	1391663	571654	1391663	571656		
7.00 x 20	1391664	571655	1391663	571654	1391663	571655		
7.50 x 20	1391664	571655	1391663	571653	1391663	571655		
8.25 x 20	1391663	571653	1391663	571654		

NOTE: For use with trans. with drain plug at right side of case.

4 SPEED TRANSMISSION-- 2 SPEED AXLE

	6.13-8.10 to 1 axle		6.70-8.86 to 1 axle		6.13-8.10 to 1 axle		6.70-8.86 to 1 axle	
	Gear	Pinion	Gear	Pinion	Gear	Pinion	Gear	Pinion
6.50 x 20	561651	571654	1391663	571654
7.00 x 20	561651	571653	1391663	571653
7.50 x 20	561651	571653	1391663	571653
8.25 x 20	561651	571653	561651	571654	1391664	571656	1391663	571654

NOTE: for use with trans. with drain plug at rear of case.

NOTE: for use with trans. with drain plug at right side of case.

* Indicates amount used as required.

† Indicates parts included in packages.

GROUP 21-D SPEEDOMETER - (CONT'D)								
Speedometer Gear And Pinion Chart - (Cont'd)								
5 SPEED TRANSMISSION								
Tire Size	Single Speed Axle				2 Speed Axle			
	6.28 to 1 axle		7.16 to 1 axle		6.6-8.8 to 1 axle		6.70-8.86 to 1 axle	
	Gear	Pinion	Gear	Pinion	Gear	Pinion	Gear	Pinion
7.50 x 20	567704	571740	567704	571738	567704	571739	567704	571739
8.25 x 20	567705	571737	567704	571738	567704	571739	567704	571739
9.00 x 20	567705	571738	567704	571739	567704	571740	567705	571737
Tire Size	6.83 to 1 axle		6.80 to 1 axle		6.13-8.10 to 1 axle		6.16-8.19 to 1 axle	
	Gear	Pinion	Gear	Pinion	Gear	Pinion	Gear	Pinion
	7.50 x 20	567704	571739	567704	571739	567704	571740	567704
8.25 x 20	567704	571739	567704	571739	567705	571737	567705	571737
9.00 x 20	567704	571740	567704	571740	567705	571738	567705	571738
Tire Size	6.33 to 1 axle							
	Gear	Pinion						
	7.50 x 20	567704	571740					
8.25 x 20	567704	571740						
9.00 x 20	567705	571738						
Speedometer Gear And Pinion Teeth Chart								
Gear	Teeth	Pinion	Teeth					
561651	4	571653	14					
561816	5	571654	15					
567704	4	571655	16					
567705	5	571656	17					
579515	5	571737	17					
579516	6	571738	16					
1268547	5	571739	15					
1268550	5	571740	14					
1391663	4	579510	14					
1391664	5	579513	17					
		579514	18					
		652842	18					
		652846	16					
		916416	15					
		918872	16					
		1268549	13					
		1268552	13					
NOTES:								

* Indicates amount used as required.

† Indicates parts included in packages.