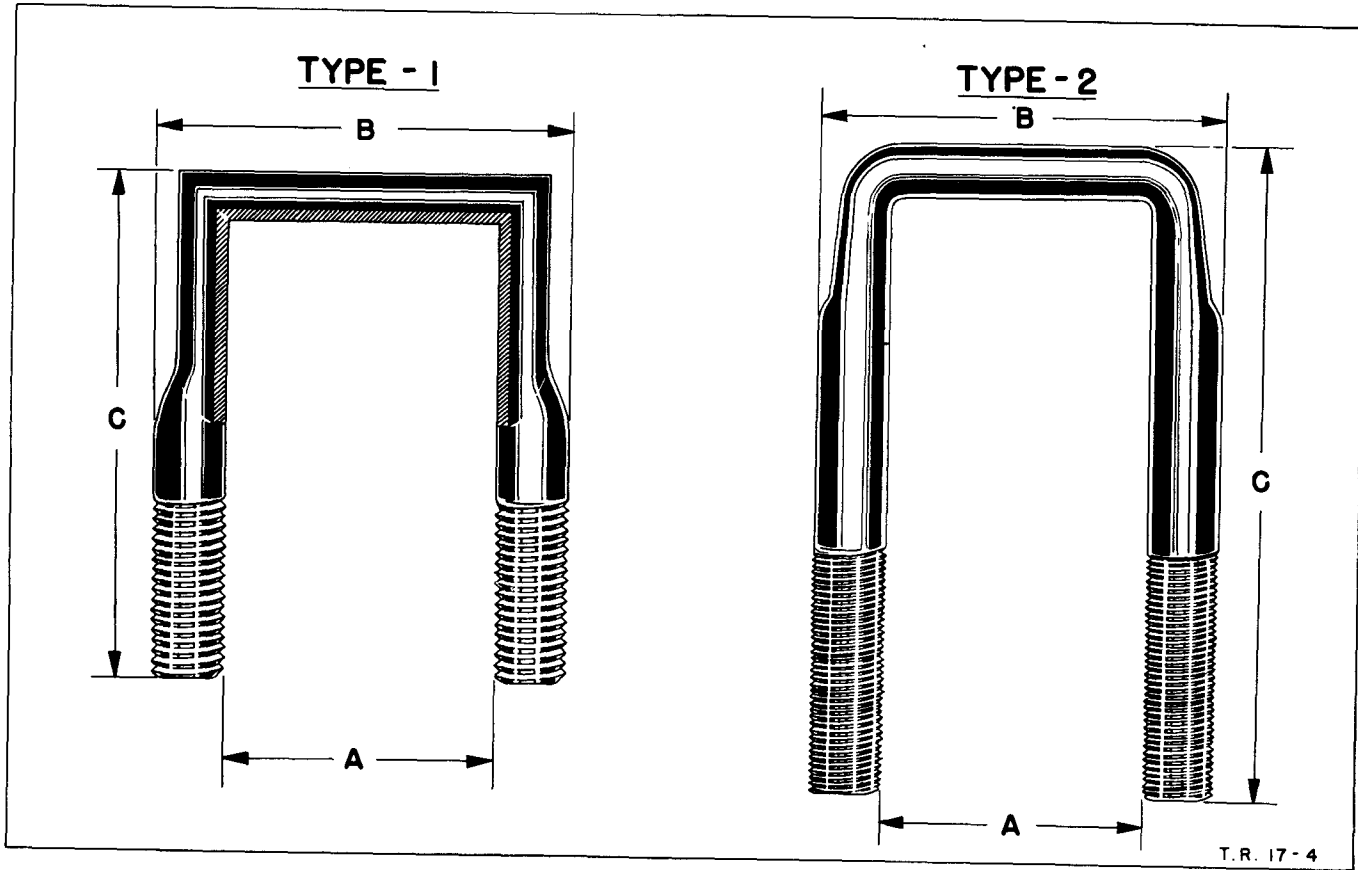


SPRING CLIP CHART



Part No.	"A"	"B"	"C"	Thread Size and Length	Part No.	"A"	"B"	"C"	Thread Size and Length
581739	1 13/16"	3 7/16"	3 31/32"	1/2 - 20 x 1 3/4"	590093	1 13/16"	2 15/16"	8 9/16"	9/16-18x1 3/4"
589114	1 13/16"	3 7/16"	6 23/32"	1/2-20x1 3/4"	599110	1 13/16"	2 15/16"	9 5/16"	9/16-18x1 3/4"
590149	1 13/16"	3 7/16"	7 23/32"	1/2-20x1 3/4"	929345	1 13/16"	2 15/16"	9 15/16"	9/16-18x1 3/4"
537206	2 3/32"	3 7/32"	4 29/32"	9/16-18x1 1/2"	916401	1 13/16"	2 15/16"	10 9/16"	9/16-18x1 3/4"
570123	2 3/32"	3 7/32"	6 13/32"	9/16-18x1 1/2"	1263684	1 13/16"	2 15/16"	11 1/16"	9/16-18x1 3/4"
593682	2 3/32"	3 7/32"	6 29/32"	9/16-18x1 1/2"	1189927	2 5/16"	3 9/16"	8 11/16"	5/8-18x1 3/4"
1191233	2 3/32"	3 7/32"	7 21/32"	9/16-18x1 1/2"	1189928	2 5/16"	3 9/16"	9 11/16"	5/8-18x1 3/4"
1196829	2 3/32"	3 7/32"	7 29/32"	9/16-18x1 1/2"	1189929	2 5/16"	3 9/16"	10 3/16"	5/8-18x1 3/4"
1192183	2 3/32"	3 7/32"	8 13/32"	9/16-18x1 1/2"	1191179	2 5/16"	3 9/16"	10 7/16"	5/8-18x1 3/4"
1263585	2 3/32"	3 7/32"	8 29/32"	9/16-18x1 1/2"	1191061	2 5/16"	3 9/16"	11 15/16"	5/8-18x1 3/4"
1263586	2 3/32"	3 7/32"	9 21/32"	9/16-18x1 1/2"	1193768	2 5/16"	3 9/16"	12 11/16"	5/8-18x1 3/4"
50333	1 13/16"	3 7/16"	4 7/32"	1/2-20x1 3/4"	1189868	2 5/16"	3 9/16"	12 15/16"	5/8-18x1 3/4"
588134	1 13/16"	3 7/16"	5 12/32"	1/2-20x1 3/4"	1191184	2 5/16"	3 9/16"	13 11/16"	5/8-18x1 3/4"
					1193770	2 5/16"	3 9/16"	14 11/16"	5/8-18x1 3/4"
					1191186	2 5/16"	3 9/16"	15 11/16"	5/8-18x1 3/4"
					1092739	2 17/32"	4 1/32"	13 1/32"	3/4-16x2"
					1193773	2 17/32"	4 1/32"	14 25/32"	3/4-16x2"
					1092780	2 17/32"	4 1/32"	15 9/32"	3/4-16x2"
					1193774	2 17/32"	4 1/32"	16 1/32"	3/4-16x2"
					1092782	2 17/32"	4 1/32"	16 9/32"	3/4-16x2"
					590094	1 13/16"	2 15/16"	7 13/16"	9/16-18x1 3/4"
					1191180	2 5/16"	3 9/16"	11 3/16"	5/8-18x1 3/4"
					1191183	2 5/16"	3 9/16"	14 7/16"	5/8-18x1 3/4"
					1092740	2 17/32"	4 1/32"	14 9/32"	3/4-16x2"
					1189930	2 5/16"	3 9/16"	13 3/16"	5/8-18x1 3/4"
					1195258	2 5/16"	3 9/16"	14 3/16"	5/8-18x1 3/4"
					1191185	2 5/16"	3 9/16"	14 15/16"	5/8-18x1 3/4"
					1193769	2 5/16"	3 9/16"	15 3/16"	5/8-18x1 3/4"
					1191836	2 17/32"	4 1/32"	15 25/32"	3/4-16x2"
					1193772	2 17/32"	4 1/32"	13 17/32"	3/4-16x2"
					1196125	2 17/32"	4 1/32"	16 25/32"	3/4-16x2"
					1190568	2 17/32"	4 1/32"	17 1/32"	3/4-16x2"

GROUP 17 - SPRINGS

NOTE: Parts referred to Note 1 were used up to and including parts referred to Note 2 were used after the following serial nos: DG5-93252111-F05-93751755 exceptions Note 1 parts were used on the following serial nos: DG5-93252223 to 93252229. 93252233 to 93252243.inclusive - F05-93751825-6-8-9-830-1. DG6-94003847. F06-94502568.

NOTE: Parts referred to Note 3 were used up to and including. Parts referred to Note 4 were used after the following serial nos: DG3-92000834 - F03-92500914 - DG4-93003999 - F04-93503729 - DG5-93252002 - F05-93751681 - DG6-94003348 - F06-94502371.

NOTE: Note "Y" refers to parts used on timken axle with round type housing. Note "Z" refers to parts used on timken axle with square type housing.

PART NAME	PART NO.	MODEL CODES											
		DG AND FO					DH AND FP						
		1	2	3	4	5	6	1	2	4	5	6	7
GROUP 17-A FRONT SPRINGS													
Front Springs													
Assy - 7 leaf	1194190	2	2
Leaf No. 1	1194191	2	2
Leaf No. 2	1194192	2	2
Leaf No. 3	1194193	2	2
Centre bolt	593805	2	2
Nut	120369	2	2
Assy - 8 leaf	1194198	2	2
Leaf No. 1	1196289	2	2
Leaf No. 2	1196290	2	2
Leaf No. 3	1194739	2	2
Center bolt	593805	2	2
Nut	120369	2	2
Assy - 8 leaf	1194204	..	2	2
Leaf No. 1	1194738	..	2	2
Leaf No. 2	1194192	..	2	2
Leaf No. 3	1195234	..	2	2
Center bolt	593805	..	2	2
Nut	120369	..	2	2
Assy - 9 leaf	1194496	..	2	2
Leaf No. 1	1196289	..	2	2
Leaf No. 2	1196290	..	2	2
Leaf No. 3	1196291	..	2	2
Center bolt	593805	..	2	2
Nut	120369	..	2	2
Assy - 8 leaf	1263906	2
Leaf No. 1	1263911	2
Leaf No. 2	1263908	2
Leaf No. 3	1263909	2
Center bolt	593805	2
Nut	120369	2
Assy 9 leaf	1263910	2	2	2	2	2	2	2	2
Leaf No. 1	1263911	2	2	2	2	2	2	2	2
Leaf No. 2	1194170	2	2	2	2	2	2	2	2
Leaf No. 3	1263914	2	2	2	2	2	2	2	2
Center bolt	593805	2	2	2	2	2	2	2	2
Nut	120369	2	2	2	2	2	2	2	2
Assy - 11 leaf	1263913	2	2	2	2	2	2	2
Leaf No. 1	1263911	2	2	2	2	2	2	2
Leaf No. 2	1194170	2	2	2	2	2	2	2
Leaf No. 3	1263914	2	2	2	2	2	2	2
Center bolt	593805	2	2	2	2	2	2	2
Nut	120369	2	2	2	2	2	2	2
Front Springs - School Bus													
Assy - 8 leaf - 152" W.B.	1262737	2
Leaf No. 1	1261328	2
Leaf No. 2	1262459	2
Leaf No. 3	1262734	2
Center bolt	593805	2
Nut	120369	2
Assy - 10 leaf - 192" W.B.	1262738	2
Leaf No. 1	1261328	2
Leaf No. 2	1262459	2
Leaf No. 3	1262736	2

Indicates amount used as required.

† Indicates parts included in packages.

GROUP 17-SPRINGS

PART NAME	PART NO.	MODEL CODES											
		DG AND FO					DH AND FP						
		1	2	3	4	5	6	1	2	4	5	6	7
GROUP 17-A FRONT SPRINGS (CONT'D)													
Front Springs - School Bus (cont'd)													
Center bolt - - - - -	593805	2
Nut - - - - -	120369	2
Assy - 11 leaf - 212" W.B. - - - - -	1262739	2
Leaf No. 1 - - - - -	1261328	2
Leaf No. 2 - - - - -	1262459	2
Leaf No. 3 - - - - -	1262740	2
Center bolt - - - - -	593805	2
Nut - - - - -	120369	2
GROUP 17-B FRONT SPRING SHACKLE													
Front Spring Shackle													
Package - left - - - - -	1311192	1	1	1	1
Package - right - - - - -	1311193	1	1	1	1
Shackle - - - - -	595526	4	4	4	4	4	4	4	4
Bushing and plug assy - upper - - - - -	† 639276	2	2	2	2
Bushing and plug assy - upper - .010 - - - - -	640041	2	2	2	2
Bushing and plug assy - lower - left - - - - -	† 650555	1	1	1	1
Bushing and plug assy - lower - left - 010 - - - - -	650562	1	1	1	1
Bushing and plug assy - lower - right - - - - -	† 639276	1	1	1	1
Bushing and plug assy - lower - right - 010 - - - - -	640041	1	1	1	1
Grease nipple - - - - -	† 145435	4	4	4	4
Package - bushing - left - - - - -	1243722	1	1	1	1
Package - bushing - right - - - - -	1243721	1	1	1	1
GROUP 17-C FRONT SPRING BOLT - BUSHING													
Front Spring Bolt													
Bolt - - - - -	651588	2	2	2	2
Lockwasher - - - - -	618192	2	2	2	2
Oiler - - - - -	110347	2	2	2	2
Bolt - - - - -	595529	6	6	6	6	6	6	6	6
Nut - - - - -	128180	6	6	6	6	6	6	6	6
Cotter pin - - - - -	119209	6	6	6	6	6	6	6	6
Grease nipple - - - - -	110347	6	6	6	6	6	6	6	6
Lock - - - - -	589540	2	2	2	2	2	2	2	2
Screw - - - - -	120628	2	2	2	2	2	2	2	2
Lockwasher - - - - -	120380	2	2	2	2	2	2	2	2
Front Spring Bushing													
Bushing - spring eye - front - - - - -	603568	2	2	2	2
Bushing - spring eye - - - - -	595528	4	4	4	4	4	4	4	4
GROUP 17-D FRONT SPRING CLIP - SHIM													
NOTE: To identify spring clips see chart on page 17-1.													
Clip - type 1 - - - - -	50333	4	4	4	4
Clip - type 1 - - - - -	581737	4	4	4	4
Clip - type 1 - - - - -	537206	4	4	4	4	4	4	4	4
Clip - type 1 - - - - -	570123	4	4	4	4	4	4	4	4
Clip - type 1 - - - - -	593682	4	4	4	4	4	4	4	4
Clip - type 1 - - - - -	1191233	4	4	4	4	4	4	4	4
Clip - type 1 - - - - -	1196829	4	4	4	4	4	4	4	4
Clip - type 1 - - - - -	1192183	4	4	4	4	4	4	4	4
Clip - type 1 - - - - -	1196829	4	4	4	4	4	4	4	4
Clip - type 1 - - - - -	1192183	4	4	4	4	4	4	4	4
Clip - type 1 - - - - -	1263585	4	4	4	4	4	4	4	4
Clip - type 1 - - - - -	1263586	4	4	4	4	4	4	4	4
Nut - - - - -	50368	8	8	8	8
Lockwasher - - - - -	120384	8	8	8	8
Nut - - - - -	55481	8	8	8	8	8	8	8	8
Lockwasher - - - - -	138479	8	8	8	8	8	8	8	8

Indicates amount used as required.

† Indicates parts included in packages.

GROUP 17 - SPRINGS

PART NAME	PART NO.	MODEL CODES											
		DG AND FO					DH AND FP						
		1	2	3	4	5	6	1	2	4	5	6	7
GROUP 17-D FRONT SPRING CLIP-SHIM (CONT'D)													
Front Spring Shim													
NOTE: The following part is used without shocks with 8.25 x 20 - 9.00 x 20 tires.													
Shim - - - - -	1266433	2	2	2	2	2	2	2
GROUP 17-E FRONT AXLE BUMPER													
Front Axle Bumper													
Assy. - - - - -	589933	2	2	2	2
Assy. - - - - -	1194231	2	2	2	2	2	2	2	2
GROUP 17-F REAR SPRING													
Rear Spring													
Assy. - 5 leaf - - - - -	1271882	2
Leaf No. 1 - - - - -	1271883	2
Leaf No. 2 - - - - -	1271884	2
Leaf No. 3 - - - - -	1271885	2
Center bolt - - - - -	593805	2
Nut - - - - -	120369	2
Assy. - 6 leaf - - - - -	1271888	2
Leaf No. 1 - - - - -	1271883	2
Leaf No. 2 - - - - -	1271890	2
Leaf No. 3 - - - - -	1271891	2
Center bolt - - - - -	593805	2
Nut - - - - -	120369	2
Assy. - 7 leaf - - - - -	1271894	2	2
Leaf No. 1 - - - - -	1271883	2	2
Leaf No. 2 - - - - -	1271884	2	2
Leaf No. 3 - - - - -	1271897	2	2
Center bolt - - - - -	593805	2	2
Nut - - - - -	120369	2	2
Assy. - 8 leaf - - - - -	1272640	..	2	2
Leaf No. 1 - - - - -	1272641	..	2	2
Leaf No. 2 - - - - -	1272642	..	2	2
Leaf No. 3 - - - - -	1272643	..	2	2
Center bolt - - - - -	593805	..	2	2
Nut - - - - -	120369	..	2	2
Assy. - 9 leaf - - - - -	1272645	..	2
Leaf No. 1 - - - - -	1272641	..	2
Leaf No. 2 - - - - -	1272642	..	2
Leaf No. 3 - - - - -	1272646	..	2
Center bolt - - - - -	593805	..	2
Nut - - - - -	120369	..	2
Assy. - 10 leaf - - - - -	1272658	..	2	2
Leaf No. 1 - - - - -	1272641	..	2	2
Leaf No. 2 - - - - -	1272642	..	2	2
Leaf No. 3 - - - - -	1272659	..	2	2
Center bolt - - - - -	593805	..	2	2
Nut - - - - -	120369	..	2	2
Assy. - 11 leaf - - - - -	1272654	..	2
Leaf No. 1 - - - - -	1272641	..	2
Leaf No. 2 - - - - -	1272642	..	2
Leaf No. 3 - - - - -	1272655	..	2
Center bolt - - - - -	593805	..	2
Nut - - - - -	120369	..	2
Assy. - 12 leaf - - - - -	1272662	..	2
Leaf No. 1 - - - - -	1272641	..	2
Leaf No. 2 - - - - -	1272642	..	2
Leaf No. 3 - - - - -	1272663	..	2
Center bolt - - - - -	593805	..	2
Nut - - - - -	120369	..	2
Assy. - 8 leaf - - - - -	1272705	2	2	2
Leaf No. 1 - - - - -	1272711	2	2	2
Leaf No. 2 - - - - -	1272707	2	2	2
Leaf No. 3 - - - - -	1272708	2	2	2

Indicates amount used as required.

† Indicates parts included in packages.

GROUP 17 - SPRINGS

PART NAME	PART NO.	MODEL CODES											
		DG AND FO						DH AND FP					
		1	2	3	4	5	6	1	2	4	5	6	7
GROUP 17-F REAR SPRING (CONT'D)													
Rear Spring (cont'd)													
Center bolt	593808	2	2	2
Nut	120370	2	2	2
Assy. - 10 leaf	1272710	2	2	2	2
Leaf No. 1	1272711	2	2	2	2
Leaf No. 2	1272707	2	2	2	2
Leaf No. 3	1272712	2	2	2	2
Center bolt	593808	2	2	2	2
Nut	120370	2	2	2	2
Assy. - 11 leaf Note 1	1272714	2
Leaf No. 1	1272711	2
Leaf No. 2	1272707	2
Leaf No. 3	1272715	2
Center bolt	593808	2
Nut	120370	2
Assy. - 13 leaf - Note 2	1265604	2	2
Leaf No. 1	1272711	2	2
Leaf No. 2	1272707	2	2
Leaf No. 3	1267470	2	2
Center bolt	593809	2	2
Nut	120370	2	2
Assy. - 11 leaf - Note 1	1272761	2
Leaf No. 1	1190561	2
Leaf No. 2	1190562	2
Leaf No. 3	589990	2
Center bolt	593809	2
Nut	120370	2
Assy. - 13 leaf - Note 2	1267447	2	2	..
Leaf No. 1	1190561	2	2	..
Leaf No. 2	1190562	2	2	..
Leaf No. 3	1267472	2	2	..
Center bolt	593809	2	2	..
Nut	120370	2	2	..
Assy. - 12 leaf	1272769	2
Leaf No. 1	1190561	2
Leaf No. 2	1190562	2
Leaf No. 3	1267472	2
Center bolt	593809	2
Nut	120370	2
Auxiliary Spring													
Assy. - 5 leaf	1263674	..	2	2
Leaf No. 1	1263675	..	2	2
Leaf No. 2	1263676	..	2	2
Leaf No. 3	1263677	..	2	2
Center bolt	593804	..	2	2
Nut	120368	..	2	2
Spacer	1263678	..	2	2
Bumper brkt.	1263679	..	4	4
Rivet - long	108684	..	6	6
Rivet - short	104113	..	6	6
Assy. - 7 leaf	915812	2	2	2	2	2
Leaf No. 1	915813	2	2	2	2	2
Leaf No. 2	915814	2	2	2	2	2
Leaf No. 3	915825	2	2	2	2	2
Center bolt	539805	2	2	2	2	2
Nut	120369	2	2	2	2	2
Spacer	564164	2	2	2	2	2
Bumper brkt.	595274	4	4	4	4	4
Rivet	108684	12	12	12	12	12
Assy. - 5 leaf - Note 1	1272762	2
Leaf No. 1	1190564	2
Leaf No. 2	1190565	2
Leaf No. 3	1272763	2
Center bolt	593809	2
Nut	120370	2

Indicates amount used as required.

† Indicates parts included in packages.

GROUP 17 - SPRINGS

PART NAME	PART NO.	MODEL CODES											
		DG AND FO					DH AND FP						
		1	2	3	4	5	6	1	2	4	5	6	7
GROUP 17-F REAR SPRING - (CONT'D)													
Auxiliary Spring - (cont'd)													
Bumper brkt. - - - - -	595274	4
Rivet - - - - -	108684	12
Assy. - 7 leaf - Note 2 - - - - -	1267446	2	2	..
Leaf No. 1 - - - - -	1190564	2	2	..
Leaf No. 2 - - - - -	1190565	2	2	..
Leaf No. 3 - - - - -	1267471	2	2	..
Center bolt - - - - -	593809	2	2	..
Nut - - - - -	120370	2	2	..
Bumper brkt. - - - - -	595274	4	4	..
Rivet - - - - -	108684	12	12	..
Assy. - 5 leaf - - - - -	1273072	2
Leaf No. 1 - - - - -	1190564	2
Leaf No. 2 - - - - -	1190565	2
Leaf No. 3 - - - - -	1272763	2
Center bolt - - - - -	593809	2
Nut - - - - -	120370	2
Bumper brkt. - - - - -	595274	4
Rivet - - - - -	108684	12
Rear Spring - School Bus													
Assy. - 15 leaf - 152" W.B. - - - - -	1190596	2
Leaf No. 1 - - - - -	1190598	2
Leaf No. 2 - - - - -	1190599	2
Leaf No. 3 - - - - -	1190600	2
Center bolt - - - - -	593806	2
Nut - - - - -	120369	2
Assy. 16 leaf - 192" W.B. - - - - -	1190597	2
Leaf No. 1 - - - - -	1190601	2
Leaf No. 2 - - - - -	1190602	2
Leaf No. 3 - - - - -	1190603	2
Center bolt - - - - -	593806	2
Nut - - - - -	120369	2
Assy. 16 leaf - 212" W.B. - - - - -	1190605	2
Leaf No. 1 - - - - -	1190606	2
Leaf No. 2 - - - - -	1190607	2
Leaf No. 3 - - - - -	1190608	2
Center bolt - - - - -	593809	2
Nut - - - - -	120370	2
GROUP 17-G REAR SPRING SHACKLE													
Rear Spring Shackle													
Package - left - - - - -	1311194	1	1
Package - right - - - - -	1315500	1	1
Shackle and bushing assy. - - - - -	925265	..	2	2
Shackle and bushing assy. - - - - -	588221	2	2	2	2	2
Shackle and bushing assy. - - - - -	589573	2	2	2
Bushing and plug assy. - lower - right - - - - -	†650555	1	1
Bushing and plug assy. - lower - right - - - - -													
010 - - - - -	650662	1	1
Bushing and plug assy. - lower - left - - - - -	†639276	1	1
Bushing and plug assy. - lower - left - - - - -													
010 - - - - -	640041	1	1
Bushing and plug assy. - upper - - - - -	†573506	2	2
Bushing and plug assy. - upper - 010 - - - - -	573522	2	2
Bushing - - - - -	576030	..	2	2
Bushing - - - - -	588223	2	2	2	2	2
Bushing - - - - -	572130	2	2	2
Grease nipple - - - - -	†145435	4	4	4
Package - bushing - left - - - - -	1315502	1	1
Package - bushing - right - - - - -	1315501	1	1
GROUP 17-H REAR SPRING BOLT - BUSHING													
Rear Spring Bolt													
Bolt - front - - - - -	925267	2	2	2	2

Indicates amount used as required.

† Indicates parts included in packages.

GROUP 17 - SPRINGS

PART NAME	PART NO.	MODEL CODES											
		DG AND FO					DH AND FP						
		1	2	3	4	5	6	1	2	4	5	6	7
GROUP 17-H REAR SPRING BOLT - BUSHING (CONT'D)													
Rear Spring Bolt (Cont'd)													
Bolt - shackle - - - - -	925267	..	4	4
Bolt - - - - -	588224	6	6	6	6	6
Bolt - - - - -	589565	6	6	6
Grease nipple - front - - - - -	145436	2	2	2	2
Grease nipple - rear - - - - -	145435	..	4	4
Grease nipple - express - - - - -	145433	2	2	2	2
Lock bolt - - - - -	120640	2	6	6	6	6	4	2	6	6	6	4	4
Lock bolt - front - - - - -	100033	2	2	2
Lock bolt - rear - - - - -	120640	2	2	2
Nut - - - - -	120369	2	6	6	6	6	6	2	6	6	6	6	6
Lockwasher - - - - -	120382	2	6	6	6	6	6	2	6	6	6	6	6
Rear Spring Bushing													
Bushing - front eye - - - - -	576042	2	2
Bushing - - - - -	576042	..	4	4
Bushing - - - - -	588183	4	4	4	4	4
Bushing - - - - -	572121	4	4	4
GROUP 17-I REAR SPRING CLIP - CLIP PLATE - CLIP SEAT													
NOTE: To identify spring clips see chart on page 17-1													
Rear Spring Clip													
Clip - type 1 - - - - -	588134	4	4
Clip - type 1 - - - - -	589114	4	4
Clip - type 2 - - - - -	590094	..	4	4
Clip - type 2 - - - - -	590093	..	4	4
Clip - type 2 - - - - -	599110	..	4	4
Clip - type 2 - - - - -	929345	..	4	4
Clip - type 2 - - - - -	916401	..	4	4
Clip - type 2 - - - - -	1189929	4
Clip - type 2 - - - - -	1189930	4	4	4
Clip - type 2 - - - - -	1191180	4	4	4
Clip - type 2 - - - - -	1191184	4	4	4
Clip - type 2 - - - - -	1191061	4	4
Clip - type 2 - - - - -	1193768	4	4
Clip - type 2 - - - - -	1195258	4	4	4	4
Clip - type 2 - - - - -	1191183	4	4	4	4
Clip - type 2 - - - - -	1193769	4	4
Clip - type 2 - - - - -	1191185	4	4
Clip - type 2 - - - - -	1193770	4	4
Clip - type 2 - - - - -	1191186	4	4
Clip - type 2 - - - - -	1191836	4	4	..
Clip - type 2 - - - - -	1193773	4	4	4
Clip - type 2 - - - - -	1092740	4	4	4
Clip - type 2 - - - - -	1092780	4	4	4
Clip - type 2 - - - - -	1092739	4	4	..
Clip - type 2 - - - - -	1196125	4	4	..
Clip - type 2 - - - - -	1193774	4	4	4
Clip - type 2 - - - - -	1190568	4	4	..
Nut - - - - -	50368	8	8
Nut - - - - -	55481	..	8	8
Nut - - - - -	510855	8	8	8	8	8
Nut - - - - -	500524	8	8	8
Lockwasher - - - - -	120384	8	8
Lockwasher - - - - -	138479	..	8	8
Lockwasher - - - - -	121574	8	8	8	8	8
Lockwasher - - - - -	131046	8	8	8
Rear Spring Clip Plate													
Assy. - right - with stud - - - - -	1271828	1	1
Assy. - left - with stud - - - - -	1271829	1	1
Plate - - - - -	915729	..	2	2
Plate - - - - -	591736	2	2	2
Plate - - - - -	1193766	2	2

Indicates amount used as required.

† Indicates parts included in packages.

GROUP 17 - SPRINGS

PART NAME	PART NO.	MODEL CODES											
		DG AND FO					DH AND FP						
		1	2	3	4	5	6	1	2	4	5	6	7
GROUP 17-I REAR SPRING CLIP - CLIP PLATE - CLIP SEAT - (CONT'D)													
Rear Spring Clip Plate - (Cont'd)													
Plate - - - - -	1193767	2	2	..
Plate - with square type timken axle - - -	1190850	2
Plate - - - - -	1274718	2
Rear Spring Clip Seat													
Seat - - - - -	1189931	2	2	2	2	2
Seat - - - - -	1092741	2	2	..
Seat - with square type timken axle - - -	1191099	2
Seat - single speed axle - - - - -	1274717	2
Seat - 2 speed axle - - - - -	1191099	2
GROUP 17-J REAR SPRING AXLE BUMPER													
Rear Spring Axle Bumper													
Assy. - - - - -	924161	2	2
Assy. - - - - -	1137824	..	2	2
Assy. - with 1272662 rear spring - - - - -	574804	..	2
Assy. - - - - -	575431	2	2	2
Assy. - 128" W.B. - - - - -	502991	2	2	2
Assy. - except 128" W.B. - - - - -	575431	2	2	2
Housing - - - - -	564706	2	2
Housing - with 1190596 rear spring - - -	568156	2
Housing - with 1190597-1190605 rear spring	565215	2	..	2
Housing - Note 1 - - - - -	564706	2
Housing - Note 2 - - - - -	565215	2	2
Housing - - - - -	564706	2	2	2
Bolt - - - - -	121661	4	4
Bolt - - - - -	120741	..	4	4
Bolt - - - - -	123774	4	4	4
Bolt - Note 1 - - - - -	123774	4
Bolt - Note 2 - - - - -	121661	4	4
Bolt - except 128" W.B. - - - - -	123774	4	4	4
Bolt - 128" W.B. - - - - -	120231	4	4	4
Nut - - - - -	120368	4	4	4	4	4	4	4	4	4	4
Nut - - - - -	120376	4	4
Lockwasher - - - - -	120214	4	4	4	4	4	4	4	4	4	4	4	4
GROUP 17-K SHOCK ABSORBER													
Front Shock Absorber													
Package - - - - -	1321268	2	2	2	2
Package - 1 3/8" export - - - - -	1450059	2	2	2	2
Package - 1 3/8" Note 3 - - - - -	1450061	2	2	2	2
Package - 1 3/8" Note 4 - - - - -	1450105	2	2	2	2	2	2	2	2
Nut - mounting - - - - -	126016	4	4	4	4	4	4	4	4	4	4	4	4
Bushing - pivot - - - - -	1319902	4	4	4	4
Washer - outer - - - - -	1319554	4	4	4	4
Wahser - inner - - - - -	1319555	4	4	4	4
Bracket - frame - right - - - - -	1271962	1	1	1	1
Bracket - frame - left - - - - -	1271963	1	1	1	1
Bolt - long - - - - -	561595	2	2	2	2
Bolt - short - - - - -	123841	2	2	2	2
Nut - - - - -	120370	4	4	4	4
Plainwasher - - - - -	120395	4	4	4	4
Lockwasher - - - - -	120383	4	4	4	4
Stud - axle - - - - -	1271961	2	2	2	2
Nut - - - - -	669990	2	2	2	2
Bushing - - - - -	1319902	4	4	4	4	4	4	4	4
Washer - outer - - - - -	1319554	4	4	4	4	4	4	4	4
Washer - inner - - - - -	1319555	4	4	4	4	4	4	4	4
Stud - brkt. anchor - - - - -	1272724	2	2	2	2	2	2	2	2
Nut - - - - -	124645	2	2	2	2	2	2	2	2
Lockwasher - - - - -	131046	2	2	2	2	2	2	2	2
Bracket - frame - Note 3 - - - - -	930078	2	2	2	2
Bolt - - - - -	124244	6	6	6	6
Nut - - - - -	1090636	6	6	6	6

Indicates amount used as required.

† Indicates parts included in packages.

GROUP 17 - SPRINGS

PART NAME	PART NO.	MODEL CODES													
		DG AND FO						DH AND FP							
		1	2	3	4	5	6	1	2	4	5	6	7		
GROUP 17-K SHOCK ABSORBER (CONT'D)															
Front Shock Absorber (cont'd)															
Stud - frame anchor - note 4	1393288	2	2	2	2	2	2	2	2	2	2
Washer	1393289	4	4	4	4	4	4	4	4	4	4
Nut	128180	2	2	2	2	2	2	2	2	2	2
Lockwasher	131046	2	2	2	2	2	2	2	2	2	2
Bracket - axle - right - note 3	1196446	1	1	1	1
Bracket - axle - left - note 3	1196447	1	1	1	1
Bracket - axle - right - note 4	1260870	1	1	1	1	1	1	1	1	1	1
Bracket - axle - left - note 4	1260871	1	1	1	1	1	1	1	1	1	1
Stud	1272724	2	2	2	2	2	2	2	2	2	2
Nut	124645	2	2	2	2	2	2	2	2	2	2
Lockwasher	131046	2	2	2	2	2	2	2	2	2	2
Rear Shock Absorber															
Package	1321268	2	2	2	2
Package - 1 3/8" export	1450060	2	2
Package - 1 3/8" export	1450065	2	2
Package - 1 3/8" 192" - 212" W.B.	1450062	2	..	2
Package - 1 3/8"	1450061	2	2	2	2	2	2
Pivot stud - upper	1271821	2	2	2	2
Pivot stud - lower	1271822	2	2	2	2
Pivot stud - lower - export	1271823	2	2	2	2
Nut	125250	8	8	8	8
Bushing	1319902	4	4	4	4
Washer - outer - upper	1319554	2	2	2	2
Washer - inner - upper	1319555	2	2	2	2
Washer - outer - lower	1319554	2	2	2	2
Washer - inner - lower	1271824	2	2
Washer - inner - lower	1271835	..	2	2
Bracket - frame - right	1271808	1	1	1	1
Bracket - frame - left	1271809	1	1	1	1
Bolt	120647	4	4	4	4
Nut	120369	2	2	2	2
Lockwasher	120382	4	4	4	4
Spacer	581519	2	2	2	2
Rivet	104085	2	2	2	2
Screw	120228	4	4	4	4
Bracket - frame	1262778	2	2	2	2	2	2
Bolt	124206	6	6	6	6	6	6
Nut	124634	6	6	6	6	6	6
Nut - note "Z"	669990	6
Lockwasher	120898	6	6	6	6	6	6
Anchor stud	1272724	4	4	4	4	4	4
Nut	124645	4	4	4	4	4	4
Lockwasher	131046	4	4	4	4	4	4
Nut - mounting	125250	4	4	4	4	4	4
Bushing	1319902	4	4	4	4	4	4
Washer - outer	1319554	4	4	4	4	4	4
Washer - inner	1319555	4	4	4	4	4	4
Clip plate - right	915732	..	1	1
Clip plate - left	915733	..	1	1
Clip plate - right - hypoid axle	1196577	1	1	1
Clip plate - left - hypoid axle	1196576	1	1	1
Clip plate - right - timken axle	1260701	1	1	1
Clip plate - left - timken axle	1260700	1	1	1
Clip plate - right	1260701	1	1
Clip plate - left	1260700	1	1
Clip plate - right - hypoid and note "Y"	1196649	1
Clip plate - left - hypoid and note "Y"	1196648	1
Clip plate - right - note "Z"	1192838	1
Clip plate - left - note "Z"	1192839	1
Shock Absorber Fluid															
Pint - imperial	780036	*	*	*	*	*	*	*	*	*	*	*	*
Quart - imperial	780037	*	*	*	*	*	*	*	*	*	*	*	*
Gallon - imperial	780038	*	*	*	*	*	*	*	*	*	*	*	*

Indicates amount used as required.

† Indicates parts included in packages.