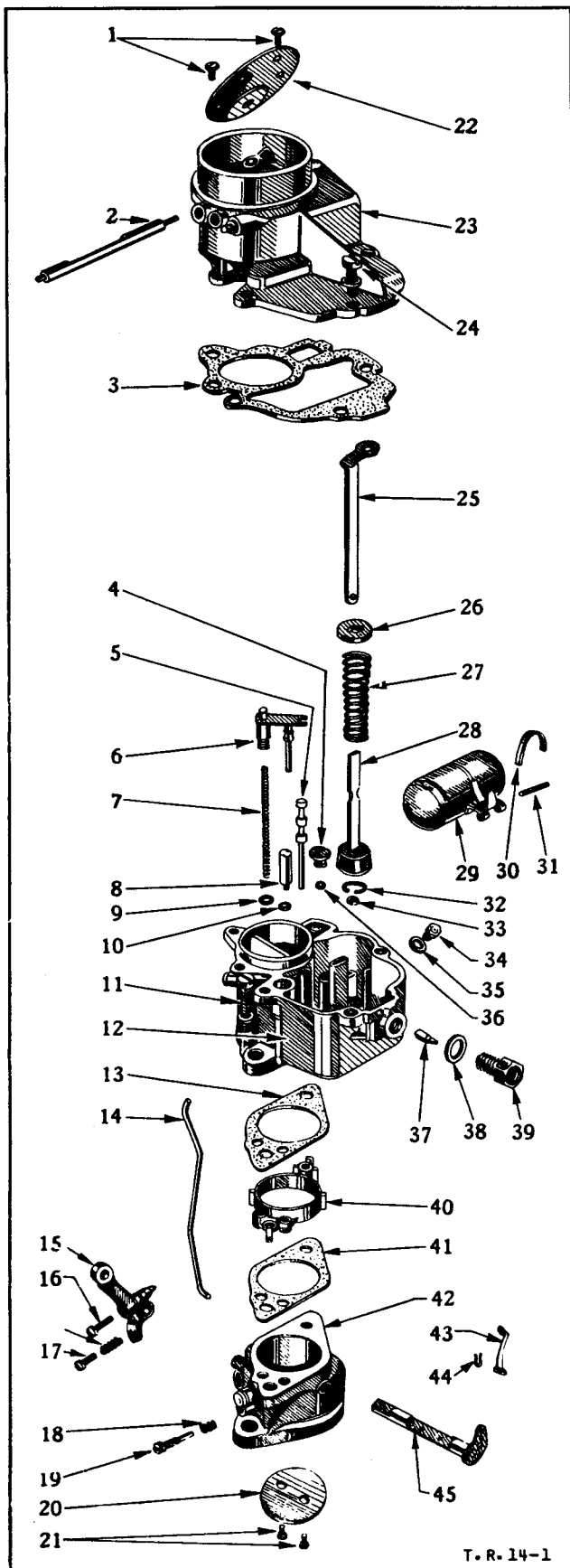
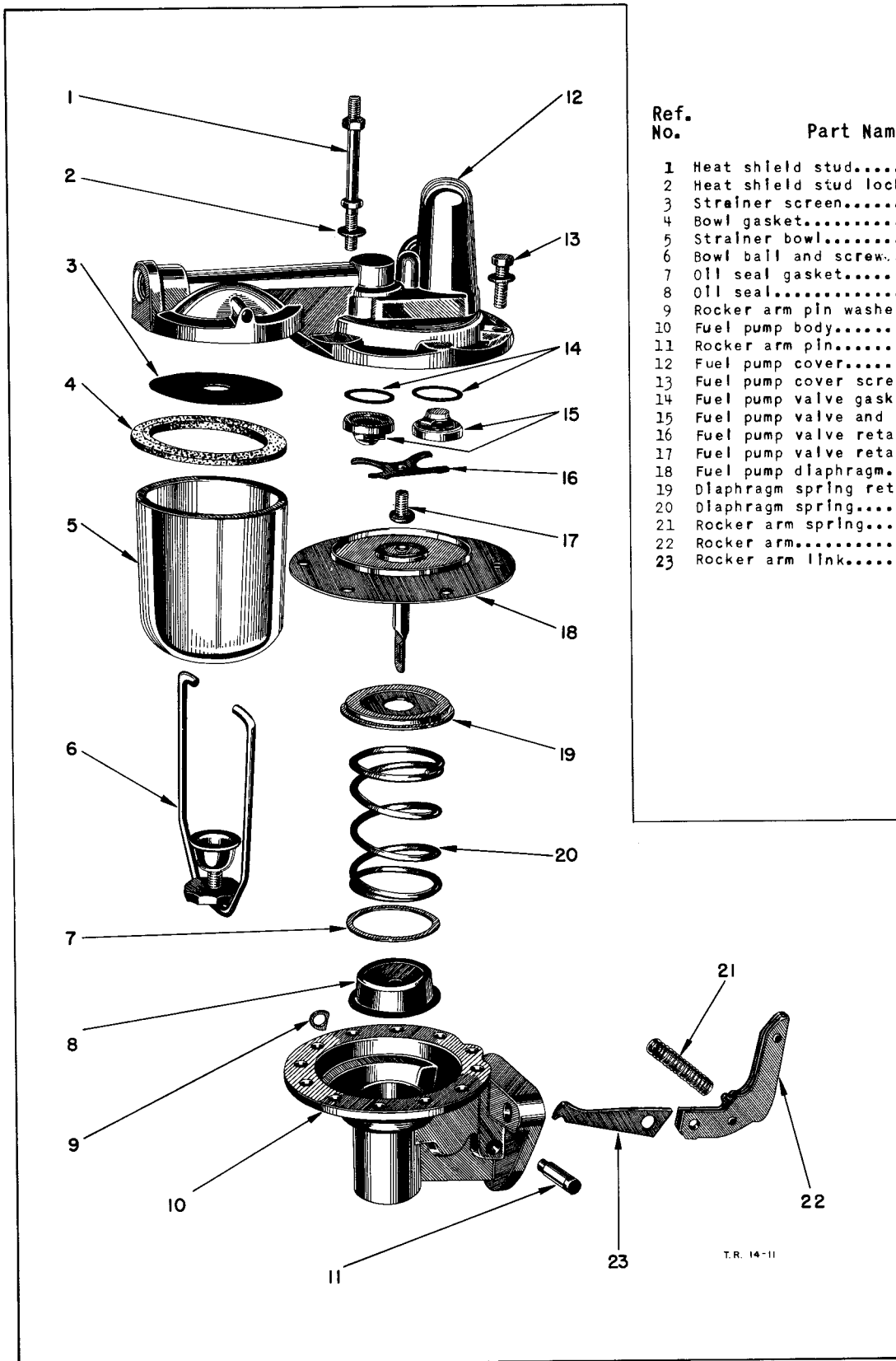


CARBURETOR



Ref. No.	Part Name	Group
1	Valve attaching screw.....	14-D
2	Choke control lever and shaft.....	14-D
3	Body gasket.....	14-D
4	Pump check plug.....	14-D
5	Idle orifice tube and plug.....	14-D
6	Step-up piston, plate and rod.....	14-D
7	Step-up piston spring.....	14-D
8	Step-up jet.....	14-D
9	Step-up piston gasket.....	14-D
10	Step-up jet gasket.....	14-D
11	Flange attaching screw.....	14-D
12	Body - serviced in assembly.....	14-D
13	Flange gasket.....	14-D
14	Bell crank to carburetor rod.....	14-D
15	Throttle shaft lever.....	14-D
16	Throttle lever clamp screw.....	14-D
17	Throttle lever adjusting screw.....	14-D
18	Idle adjustment screw spring.....	14-D
19	Idle adjustment screw.....	14-D
20	Throttle valve.....	14-D
21	Valve attaching screw.....	14-D
22	Choke valve.....	14-D
23	Air horn.....	14-D
24	Air horn attaching screw.....	14-D
25	Pump connector link.....	14-D
26	Pump spring retainer.....	14-D
27	Pump spring.....	14-D
28	Plunger, spring and rod.....	14-D
29	Float and lever.....	14-D
30	Float lever pin retainer.....	14-D
31	Float lever pin.....	14-D
32	Pump retainer ring.....	14-D
33	Discharge check ball.....	14-D
34	Main metering jet.....	14-D
35	Main metering jet gasket.....	14-D
36	Intake check ball.....	14-D
37	Float needle - serviced in needle and seat assembly 861134.....	14-D
38	Float needle seat gasket.....	14-D
39	Float needle seat - serviced in needle and seat assembly 861134.....	14-D
40	Insulator.....	14-D
41	Flange gasket.....	14-D
42	Body flange.....	14-D
43	Pump operating link.....	14-D
44	Pump operating link pin spring.....	14-D
45	Throttle valve shaft assembly.....	14-D

FUEL PUMP



Ref. No.	Part Name	Group
1	Heat shield stud.....	14-H
2	Heat shield stud lockwasher.....	14-H
3	Strainer screen.....	14-H
4	Bowl gasket.....	14-H
5	Strainer bowl.....	14-H
6	Bowl ball and screw.....	14-H
7	Oil seal gasket.....	14-H
8	Oil seal.....	14-H
9	Rocker arm pin washer.....	14-H
10	Fuel pump body.....	14-H
11	Rocker arm pin.....	14-H
12	Fuel pump cover.....	14-H
13	Fuel pump cover screw.....	14-H
14	Fuel pump valve gasket.....	14-H
15	Fuel pump valve and cage.....	14-H
16	Fuel pump valve retainer.....	14-H
17	Fuel pump valve retainer screw.....	14-H
18	Fuel pump diaphragm.....	14-H
19	Diaphragm spring retainer.....	14-H
20	Diaphragm spring.....	14-H
21	Rocker arm spring.....	14-H
22	Rocker arm.....	14-H
23	Rocker arm link.....	14-H

T.R. 14-11

**GROUP 14 - FUEL**

**NOTE:** Parts referred to "Note 1" were used up to and including:  
 Parts referred to "Note 3" were used after the following Engine Serial Nos.:

T307 - 8915 C	T311 - 3882 C
T315 - 1988 C	TX315- 1714 C
T317 - 2011 C	T319 - 3220 C

**NOTE:** Parts referred to "Note 3" were used up to and including:  
 Parts referred to "Note 4" were used after the following Serial Nos.:

DG1 - 90101713	F01 - 90520477
DG2 - 91188228	F02 - 91509116
DG3 - 92000834	F03 - 92500915
DG4 - 93004000	F04 - 93503733
DG5 - 93252003	F05 - 93751678
DG6 - 94003367	F06 - 94502371

PART NAME	PART NO.	MODEL CODES											
		DG AND FO						DH AND FP					
		1	2	3	4	5	6	1	2	4	5	6	7
<b>GROUP 14-A ACCELERATOR AND THROTTLE CONTROL</b>													
<b>Accelerator Pedal</b>													
Pedal - - - - -	451964	1	1	1	1	1	1	1	1	1	1	1	1
Rod - L.H.D. - - - - -	590005	1	1	1	1	1	1	1	1	1	1	1	1
Rod - R.H.D. - - - - -	1262522	1	1	1	1	1	1	1	1	1	1	1	..
Pin - - - - -	138083	1	1	1	1	1	1	1	1	1	1	1	1
Plainwasher - - - - -	120392	1	1	1	1	1	1	1	1	1	1	1	1
Cotter pin - - - - -	112726	1	1	1	1	1	1	1	1	1	1	1	1
Button - - - - -	451965	1	1	1	1	1	1	1	1	1	1	1	1
<b>Accelerator Shaft Bracket</b>													
Assy. - L.H.D. - - - - -	1195527	1	1	1	1	1	1	1	1	1	1	1	1
Assy. - R.H.D. with lever rod - - - - -	1273148	1	1	..	..	..	..	1	1	..	..	..	..
Assy. - R.H.D. with pedal lever - - - - -	1196094	..	..	1	1	1	1	..	..	1	1	1	..
Bolt - R.H.D. to dash - - - - -	120741	2	2	2	2	2	2	2	2	2	2	2	2
Nut - - - - -	120368	2	2	2	2	2	2	2	2	2	2	2	..
Lockwasher - - - - -	120214	2	2	2	2	2	2	2	2	2	2	2	..
<b>Accelerator Shaft - L.H.D.</b>													
Shaft - - - - -	1195531	1	1	1	1	1	1	1	1	1	1	1	..
Shaft - - - - -	1408701	..	..	..	..	..	..	..	..	..	..	..	1
Lever - shaft to pedal - - - - -	642265	1	1	1	1	1	1	1	1	1	1	1	1
Pin - - - - -	103563	1	1	1	1	1	1	1	1	1	1	1	1
<b>Accelerator Shaft to Bellcrank Rod</b>													
Assy. - L.H.D. - - - - -	1195419	1	1	1	1	1	1	1	1	1	1	1	..
Assy. - - - - -	1408703	..	..	..	..	..	..	..	..	..	..	..	1
Assy. - R.H.D. - - - - -	1273249	1	1	..	..	..	..	1	1	..	..	..	..
Assy. - R.H.D. - - - - -	1196099	..	..	1	1	1	1	..	..	1	1	1	..
Spring - - - - -	920735	1	1	1	1	1	1	1	1	1	1	1	1
Cotter - - - - -	103373	2	2	2	2	2	2	2	2	2	2	2	..
Washer - R.H.D. - - - - -	120392	2	2	2	2	2	2	2	2	2	2	2	..
Clip - R.H.D. - - - - -	51995	1	1	1	1	1	1	1	1	1	1	1	..
Ball joint - - - - -	1117181	..	..	..	..	..	..	..	..	..	..	..	1
Nut - std. - - - - -	120367	..	..	..	..	..	..	..	..	..	..	..	1
Nut - thin - - - - -	120613	..	..	..	..	..	..	..	..	..	..	..	1
Lockwasher - - - - -	120380	..	..	..	..	..	..	..	..	..	..	..	1
<b>GROUP 14-B THROTTLE AND CHOKE CONTROL</b>													
<b>Throttle Control Bellcrank</b>													
Bell crank - - - - -	640407	1	1	1	1	1	1	1	1	1	1	1	..
Bell crank - - - - -	1408705	..	..	..	..	..	..	..	..	..	..	..	2
Swivel - - - - -	1261312	1	1	1	1	1	1	1	1	1	1	1	2
Clip - - - - -	639174	1	1	1	1	1	1	1	1	1	1	1	1
Lever stud - - - - -	602071	1	1	1	1	1	1	1	1	1	1	1	..
Stud - - - - -	1408706	..	..	..	..	..	..	..	..	..	..	..	2
Spring washer - - - - -	391888	1	1	1	1	1	1	1	1	1	1	1	2
Spring - - - - -	1268346	..	..	..	..	..	..	..	..	..	..	..	1

Indicates amount used as required.

† Indicates parts included in packages.

**GROUP 14 - FUEL**

PART NAME	PART NO.	MODEL CODES										
		DG AND FO					DH AND FP					
		1	2	3	4	5	6	1	2	4	5	6
<b>GROUP 14-B THROTTLE AND CHOKE CONTROL (CONT'D)</b>												
<b>Throttle Control Bellcrank (cont'd)</b>												
Lockwasher - - - - -	120214	1	1	1	1	1	1	1	1	1	1	2
Plainwasher - - - - -	120387	1	1	1	1	1	1	1	1	1	1	2
Cotter Pin - - - - -	103373	1	1	1	1	1	1	1	1	1	1	2
<b>Throttle Control Bellcrank to Carburetor Rod</b>												
Rod - less governor - - - - -	1194834	1	1	..	..	..	..	1	1	..	..	..
Rod - with governor - - - - -	1194835	1	1	..	..	..	..	1	1	..	..	..
Rod - less governor - - - - -	919981	..	..	1	1	..	..	..	..	1	..	..
Rod - with governor - - - - -	919982	..	..	1	1	..	..	..	..	1	..	..
Rod - - - - -	919982	..	..	..	1	1	..	..	..	1	1	..
Cotter - - - - -	112726	2	2	2	2	2	2	2	2	2	2	..
<b>Throttle Control Bellcrank Rod</b>												
Rod - to engine bellcrank connecting - - -	1408708	..	..	..	..	..	..	..	..	..	..	1
Balljoint - - - - -	1117181	..	..	..	..	..	..	..	..	..	..	2
Nut - std. - $\frac{1}{4}$ - 28 - - - - -	120367	..	..	..	..	..	..	..	..	..	..	2
Nut - thin - $\frac{1}{4}$ - 28 - - - - -	120613	..	..	..	..	..	..	..	..	..	..	2
Lockwasher - - - - -	120380	..	..	..	..	..	..	..	..	..	..	2
Rod - front - to carb. - - - - -	1408713	..	..	..	..	..	..	..	..	..	..	1
Balljoint - - - - -	694895	..	..	..	..	..	..	..	..	..	..	1
Balljoint - - - - -	1267138	..	..	..	..	..	..	..	..	..	..	1
Rod - rear - to carb. - - - - -	1408715	..	..	..	..	..	..	..	..	..	..	1
Balljoint - - - - -	694895	..	..	..	..	..	..	..	..	..	..	1
Balljoint - - - - -	1117181	..	..	..	..	..	..	..	..	..	..	1
Nut - std. - $\frac{1}{4}$ - 28 - - - - -	120367	..	..	..	..	..	..	..	..	..	..	2
Nut - thin - $\frac{1}{4}$ - 28 - - - - -	120613	..	..	..	..	..	..	..	..	..	..	2
Lockwasher - - - - -	120380	..	..	..	..	..	..	..	..	..	..	2
Nut - #10 - 32 - - - - -	120614	..	..	..	..	..	..	..	..	..	..	2
Lockwasher - - - - -	120217	..	..	..	..	..	..	..	..	..	..	2
<b>Throttle Control</b>												
Assy. - - - - -	1188427	1	1	1	1	1	1	1	1	1	1	1
Nut - mounting - - - - -	1189496	1	1	1	1	1	1	1	1	1	1	1
Washer - - - - -	1194598	1	1	1	1	1	1	1	1	1	1	1
Knob - white letters - - - - -	1191534	1	1	1	1	1	1	1	1	1	1	1
Knob - black letters - - - - -	1107432	1	1	1	1	1	1	1	1	1	1	1
<b>Throttle Control Wire Tube Bracket</b>												
Bracket - - - - -	602069	1	1	1	1	1	1	1	1	1	1	..
Bracket - - - - -	1408711	..	..	..	..	..	..	..	..	..	..	1
Screw - - - - -	122007	1	1	1	1	1	1	1	1	1	1	1
Lockwasher - - - - -	120214	1	1	1	1	1	1	1	1	1	1	1
Clip - - - - -	389413	1	1	1	1	1	1	1	1	1	1	1
Bolt - - - - -	120221	1	1	1	1	1	1	1	1	1	1	1
Nut - - - - -	120361	1	1	1	1	1	1	1	1	1	1	1
Lockwasher - - - - -	138479	1	1	1	1	1	1	1	1	1	1	1
<b>Throttle Control Lever</b>												
Assy. - - - - -	602068	1	1	1	1	1	1	1	1	1	1	..
Assy. - - - - -	1408709	..	..	..	..	..	..	..	..	..	..	1
Screw - lever swivel - - - - -	131958	1	1	1	1	1	1	1	1	1	1	1
<b>Throttle Control Spring</b>												
Spring - accelerator pedal return - - - - -	1088169	1	1	1	1	1	1	1	1	1	1	1
Cotter - - - - -	108630	1	1	1	1	1	1	1	1	1	1	1
<b>Choke Control</b>												
Assy. - - - - -	1188427	1	1	1	1	1	1	1	1	1	1	..
Nut - mounting - - - - -	1189496	1	1	1	1	1	1	1	1	1	1	..
Washer - - - - -	1194598	1	1	1	1	1	1	1	1	1	1	..
Knob - white letters - - - - -	1191537	1	1	1	1	1	1	1	1	1	1	..
Knob - black letters - - - - -	1107431	1	1	1	1	1	1	1	1	1	1	..
<b>Control Cable Dash Bracket</b>												
Bracket - - - - -	927156	1	1	1	1	1	1	1	1	1	1	1
Clamp - - - - -	927157	1	1	1	1	1	1	1	1	1	1	1

Indicates amount used as required.

† Indicates parts included in packages.

**GROUP 14-FUEL**

PART NAME	PART NO.	MODEL CODES										
		DG AND FO					DH AND FP					
		1	2	3	4	5	6	1	2	4	5	6
<b>GROUP 14-B THROTTLE AND CHOKE CONTROL (CONT'D)</b>												
Control Cable Dash Bracket (cont'd)												
Screw - - - - -	132900	2	2	2	2	2	2	2	2	2	2	2
Lockwasher - - - - -	138479	2	2	2	2	2	2	2	2	2	2	2
Screw - mounting - - - - -	121900	2	2	2	2	2	2	2	2	2	2	2
<b>GROUP 14-C CARBURETOR AIR CLEANER</b>												
<b>Air Cleaner</b>												
Assy. - 1 pint capacity - - - - -	1326987	1	1	1	1	1	1	..	..	..	..	..
Assy. - - - - -	1330023	..	..	..	..	..	..	1	1	..	..	..
Assy. - 1 quart capacity - - - - -	1273719	1	1	1	1	1	1	..	..	1	1	1
Assy. - 1 pint capacity - - - - -	919801	..	..	..	..	..	..	..	..	..	..	..
Gasket - to carb. - - - - -	952062	1	1	1	1	1	1	1	1	1	1	2
Gasket - air cleaner to filter - 1273719												
assy. - - - - -	1107900	1	1	1	1	1	1	1	1	1	1	..
Bracket - steady - with 1330023 assy. -	1330085	..	..	..	..	..	..	1	1	..	..	..
Screw and washer - - - - -	187014	..	..	..	..	..	..	1	1	..	..	..
<b>GROUP 14-D CARBURETOR</b>												
<b>Carburetor</b>												
Assy. - vendor no. DTF1 - less fluid drive-	1317257	1	..	..	..	..	..	1	..	..	..	..
Assy. - vendor no. DTH1 - with fluid drive-	1269281	1	..	..	..	..	..	..	..	..	..	..
Assy. - vendor no. E7T1 - less fluid drive-	1317258	..	1	1	1	1	1	..	1	1	1	1
Assy. - vendor no. E7R1 - with fluid drive-	1318987	..	1	..	..	..	..	..	..	..	..	..
Assy. - vendor no. E9K1 - - - - -	1503583	..	..	..	..	..	..	..	..	..	..	2
Stud - to manifold - - - - -	113247	2	2	2	2	..	..	2	2	2	..	..
Stud - to manifold - - - - -	103203	..	..	..	..	2	2	..	..	..	2	2
Stud - to manifold - - - - -	128040	..	..	..	..	..	..	..	..	..	..	4
Nut - - - - -	120369	2	2	2	2	2	2	2	2	2	2	4

CARBURETOR COMPONENT PARTS	QTY.	1317257 Assy.	1317258 Assy.	1269281 Assy.	1318987 Assy.
<b>Carburetor body flange</b>					
Assembly - - - - -	1	1318510	1318515	1322744	---
<b>Carburetor gaskets</b>					
Flange to manifold - less governor - - - - -	1	697696	637191	697696	697696
Float needle seat - - - - -	1	645613	645613	645613	645613
Flange to manifold - with governor - - - - -	*	697695	562221	697695	697695
Main metering jet - - - - -	1	651183	651183	651183	651183
Step - up jet - - - - -	1	651184	651184	651184	651184
Step - up piston - - - - -	1	651185	651185	651185	651185
Body to air horn - - - - -	1	697712	697712	952633	952633
Flange to insulator - - - - -	2	1318512	1318517	1318512	1318517
<b>Carburetor jets</b>					
Main metering jet assy. - standard - - - - -	1	1316030	1316031	1316030	1316031
Main metering jet assy. - 1 size lean - - - - -	1	1316029	1316032	1316029	1316032
Main metering jet assy. - 2 size lean - - - - -	1	1316034	1316033	1316034	1316033
Main metering jet assy. - 3 sizes lean - - - - -	1	---	1316030	---	1316030
Pump jet - - - - -	1	697706	697707	697706	697707
Step - up jet assy. - - - - -	1	667379	675664	651221	675664
<b>Carburetor springs</b>					
Step - up piston spring - - - - -	1	662790	662790	662790	662790
Pump spring - conical - - - - -	1	675665	675740	675665	675740
Pump operating link pin spring - - - - -	1	645669	645669	645669	645669
Idle adjustment screw spring - - - - -	1	645642	645642	645642	645642
Choke pull back spring - - - - -	1	651192	651192	651192	---
Pump plunger leather spring - - - - -	1	691315	691315	691315	691315
<b>Carburetor screws, nuts, lockwashers</b>					
Body Screw and washer - - - - -	*	952583	952583	952583	952583
Air horn screw and washer - - - - -	*	952584	952584	963808	963808
Throttle lever adjusting screw - - - - -	1	1317521	1317521	1317521	1317521
Idle adjustment screw - - - - -	1	645639	645639	645639	645639
Throttle lever clamp screw - - - - -	1	957803	957803	957803	957803

Indicates amount used as required.

† Indicates parts included in packages.

GROUP 14 - FUEL

CARBURETOR COMPONENT PARTS - (CONT'D)	QTY.	1317257 Assy.	1317258 Assy.	1269281 Assy.	1318987 Assy.
<b>Carburetor screws, nuts, lockwashers - (Cont'd)</b>					
Choke bracket screw and washer - - - - -	1	917089	917089	917089	917089
Valve attaching screw - - - - -	4	678576	678576	678576	678576
Choke tube clamp screw - - - - -	1	665403	665403	665403	665403
Choke tube clamp screw nut - - - - -	1	665404	665404	665404	665404
Throttle lever clamp screw nut - - - - -	1	120614	120614	120614	120614
Flange stud nut - - - - -	2	120369	120369	120369	120369
Flange stud nut lockwasher - - - - -	2	120382	120382	120382	120382
Throttle lever spring washer - - - - -	1	856508	856508	---	---
Choke wire clamp screw - - - - -	1	131954	131954	131954	131954
<b>Carburetor plugs</b>					
Step - up passage rivet plug - - - - -	1	688102	688102	688102	688102
Main metering rivet passage plug - - - - -	1	1136041	1136041	1136041	1136041
Idle port rivet plug - - - - -	1	688106	688106	688106	688106
Pump discharge check ball passage plug - - - - -	1	689485	689485	689485	689485
Pump check rivet passage plug - - - - -	1	697704	697704	697704	697704
Idle passage rivet plug - - - - -	1	699811	699811	699811	699811
Pump discharge passage rivet plug - - - - -	1	699811	699811	699811	699811
Vacuum spark control hole plug - - - - -	1	143932	---	---	---
<b>Carburetor throttle</b>					
Valve - - - - -	1	697697	662783	697697	662783
Lever shaft and arm assy. - - - - -	1	957797	922090	1127836	---
Lever assy. - - - - -	1	957798	957798	957798	957798
<b>Carburetor choke</b>					
Valve assy. - - - - -	1	1141762	689496	1141762	689496
Control lever and shaft assy. - - - - -	1	957800	957800	957800	957800
Choke tube bracket assy. - - - - -	1	651194	651194	651194	651194
<b>Carburetor float</b>					
Assembly - float and lever - - - - -	1	645636	645636	645636	645636
Pin - - - - -	1	651186	651186	651186	651186
Retainer - - - - -	1	651197	651197	651197	651197
Needle and seat assy. - - - - -	1	861134	861134	861134	861134
Needle and seat package - spring loaded - - - - -	1	1107214	1107214	1107214	1107214
<b>Carburetor step-up</b>					
Piston, plate and rod assy. - - - - -	1	689493	689493	689493	689493
<b>Carburetor pump</b>					
Plunger and rod assy. - - - - -	1	697709	697709	697709	697709
Operating link - - - - -	1	689499	689499	689499	689499
Spring retainer - - - - -	1	699839	699839	699839	699839
Connector link - - - - -	1	697710	697710	697710	697710
Discharge check ball - - - - -	1	689488	689488	689488	689488
Retainer ring - - - - -	1	678606	678606	678606	678606
Intake check ball - - - - -	1	651205	651205	651205	651205
<b>Carburetor tubes</b>					
Idle orifice tube and plug assy. - - - - -	1	689491	689491	689491	689491
Main vent tube - - - - -	1	675666	675741	675666	675741
<b>Carburetor air horn</b>					
Assembly - - - - -	1	1318511	1318516	---	---
<b>Carburetor insulator</b>					
Insulator - - - - -	1	1318513	1318513	1318513	1318513
<b>Carburetor dash pot parts</b>					
Adjustment screw - - - - -	1	---	---	952628	952628
Spring - - - - -	1	---	---	952622	952622
Lifter link - - - - -	1	---	---	958216	---
Pin spring - - - - -	2	---	---	645669	645669
Lifter - - - - -	1	---	---	1322726	1322726
Plunger and rod assy. - - - - -	1	---	---	871999	871999
Pick - up arm - - - - -	1	---	---	1322725	1322725
Arm spring - - - - -	1	---	---	1141756	1141756

Indicates amount used as required.

† Indicates parts included in packages.

**GROUP 14 - FUEL**

PART NAME	PART NO.	MODEL CODES													
		DG AND FO						DH AND FP							
		1	2	3	4	5	6	1	2	4	5	6	7		
<b>GROUP 14-D CARBURETOR (CONT'D)</b>															
<b>Carburetor to Distributor Vacuum Control Tube</b>															
Assy. - - - - -	861558	1	..	..	..	..	..	1	..	..	..	..	..		
Nut - - - - -	137396	2	..	..	..	..	..	2	..	..	..	..	..		
Elbow - - - - -	137420	1	..	..	..	..	..	1	..	..	..	..	..		
Connector - - - - -	670463	1	..	..	..	..	..	1	..	..	..	..	..		
Clip - - - - -	1122920	1	..	..	..	..	..	1	..	..	..	..	..		
<b>GROUP 14-E GOVERNOR</b>															
<b>Governor</b>															
Assy. - 1200-2800 R.P.M. - seal type - - -	1190828	1	1	..	..	..	..	1	1	..	..	..	..		
Assy. - 2500-3300 R.P.M. - seal type - - -	1191178	1	..	..	..	..	..	1	..	..	..	..	..		
Assy. - 2500-3300 R.P.M. - seal type - - -	1190829	..	1	..	..	..	..	..	1	..	..	..	..		
Assy. - 1200-2800 R.P.M. - seal type - - -	1263608	..	..	1	1	..	..	..	..	1	..	..	..		
Assy. - 2500-3300 R.P.M. - seal type - - -	1263609	..	..	1	1	..	..	..	..	1	..	..	..		
Assy. - 2200-3200 R.P.M. - seal type - - -	1263610	..	..	..	1	1	1	..	..	1	1	..	..		
Assy. - 2500-3300 R.P.M. - seal type - - -	1392346	..	..	..	..	..	..	..	..	..	..	1	..		
Assy. - - - - -	1503584	..	..	..	..	..	..	..	..	..	..	..	2		
Assy. - range to 3000 R.P.M. key type - - -	1144720	1	1	1	1	1	1	1	1	1	1	1	..		
Assy. - range over 3000 R.P.M. key type - -	1144757	1	1	1	1	1	1	1	1	1	1	1	..		
Plug - - - - -	143932	..	2	2	2	2	2	2	2	2	2	2	..		
Seal - - - - -	1067209	1	1	1	1	1	1	1	1	1	1	1	2		
Stud - attaching - - - - -	103203	2	2	2	2	2	2	2	2	2	2	2	4		
Gasket - flange - with 1191178 - 1190829															
1263609 - 1392346 - 1503584 governor - -	562221	2	2	2	2	2	2	2	2	2	2	2	4		
Gasket - flange - with 1190828 - 1263608															
governor - - - - -	637191	2	2	2	2	2	2	2	2	2	2	2	..		
Rod - bellcrank to carb. - - - - -	1194835	1	1	..	..	..	..	1	1	..	..	..	..		
Rod - bellcrank to carb. - - - - -	919982	..	..	1	1	1	1	..	..	1	1	1	1		
<b>Governor Tube</b>															
Assy. - fuel pump to carb. - 24" long - - -	861832	1	1	..	..	..	..	1	1	..	..	..	..		
Assy. - fuel pump to carb. - 26" long - - -	861833	..	..	1	1	1	1	..	..	1	1	1	2		
Assy. - carb. to gov. vacuum control - 13" long - - - - -	861540	1	..	..	..	..	..	1	..	..	..	..	..		
Assy. - Gov. to dist. vacuum control - 38" long - - - - -	861556	1	..	..	..	..	..	1	..	..	..	..	..		
Nut - - - - -	137396	2	..	..	..	..	..	..	..	..	..	..	..		
Elbow - - - - -	137420	2	..	..	..	..	..	..	..	..	..	..	..		
<b>GROUP 14-F FUEL FILTER</b>															
<b>Fuel Filter - Note</b>															
Assy. - - - - -	1320213	1	1	1	1	1	1	..	..	..	..	..	..		
Gasket - - - - -	1320527	1	1	1	1	1	1	..	..	..	..	..	..		
Filter - - - - -	1138687	1	1	1	1	1	1	..	..	..	..	..	..		
Bowl - - - - -	1322321	1	1	1	1	1	1	..	..	..	..	..	..		
Retainer - - - - -	1316416	1	1	1	1	1	1	..	..	..	..	..	..		
Spring - - - - -	1322322	1	1	1	1	1	1	..	..	..	..	..	..		
<b>Fuel Filter - Note 2</b>															
Assy. - - - - -	1402141	1	1	1	1	1	1	1	1	1	1	1	..		
Gasket - - - - -	1320527	1	1	1	1	1	1	1	1	1	1	1	..		
Filter - - - - -	1138687	1	1	1	1	1	1	1	1	1	1	1	..		
Bowl - - - - -	1402615	1	1	1	1	1	1	1	1	1	1	1	..		
Retainer assy. - - - - -	1402617	1	1	1	1	1	1	1	1	1	1	1	..		
Spring - - - - -	1142993	1	1	1	1	1	1	1	1	1	1	1	..		
Fuel filter assy. - - - - -	1502617	..	..	..	..	..	..	..	..	..	..	..	2		
<b>Fuel Filter - Dash Mounted - Frame Mounted</b>															
Assy. - - - - -	1105121	1	1	1	1	1	1	1	1	1	1	1	1		
Bolt - to dash - - - - -	120647	2	2	..	..	..	..	2	2	..	..	..	..		
Bolt - to frame - - - - -	121615	2	2	..	..	..	..	2	2	..	..	..	..		
Bolt - to frame - - - - -	120677	..	..	2	2	2	2	..	..	2	2	2	2		
Nut - - - - -	120369	2	2	2	2	2	2	2	2	2	2	2	2		
Lockwasher - - - - -	120382	2	2	2	2	2	2	2	2	2	2	2	2		
Plainwasher - - - - -	120394	2	2	..	..	..	..	..	..	..	..	..	..		
Valve assy. - fuel tank shut-off - frame mounted - - - - -	1106631	1	1	1	1	1	1	1	1	1	1	1	1		

Indicates amount used as required.

† Indicates parts included in packages.

**GROUP 14 - FUEL**

PART NAME	PART NO.	MODEL CODES											
		DG AND FO						DH AND FP					
		1	2	3	4	5	6	1	2	4	5	6	7
<b>GROUP 14-F FUEL FILTER (CONT'D)</b>													
Fuel Filter - Dash Mounted - Frame Mounted - (Cont'd)													
Elbow - - - - -	1263882	..	..	2	2	2	2	..	..	2	2	2	2
Tube assy. - fuel tank to fuel filter - dash mounted - 48" long - - - - -	861842	1	1	..	..	..	..	1	1	..	..	..	..
Tube assy. - fuel tank to fuel filter - dash mounted - 56" long - - - - -	861844	..	..	..	1	1	1	..	..	1	1	1	1
Nut - - - - -	137398	2	2	..	..	..	..	2	2	..	..	..	..
Clip - - - - -	581524	1	1	..	..	..	..	1	1	..	..	..	..
Bolt - - - - -	123316	1	1	..	..	..	..	1	1	..	..	..	..
Nut - - - - -	120367	1	1	..	..	..	..	1	1	..	..	..	..
Lockwasher - - - - -	120380	1	1	..	..	..	..	1	1	..	..	..	..
Tube assy. - fuel tank to fuel filter - frame mounted - 24" long - - - - -	861832	1	1	..	..	..	..	1	1	..	..	..	..
Nut - - - - -	137398	2	2	..	..	..	..	2	2	..	..	..	..
Elbow - - - - -	1263882	1	1	..	..	..	..	1	1	..	..	..	..
Hose assy. - fuel tank to fuel filter - dash mounted - - - - -	1188258	1	1	1	1	1	1	1	1	1	1	1	1
Elbow - - - - -	143343	1	1	1	1	1	1	1	1	1	1	1	1
Tube assy. - fuel filter to fuel pump - dash mounted - 60" long - - - - -	861845	1	1	..	..	..	..	1	1	..	..	..	..
Nut - - - - -	137398	1	1	..	..	..	..	1	1	..	..	..	..
Tube assy. - fuel filter to fuel pump - frame mounted - 104" long - - - - -	861852	1	1	..	..	..	..	1	1	..	..	..	..
Tube assy. - fuel filter to fuel pump - frame mounted - 112" long - - - - -	861853	..	..	1	1	1	1	..	..	1	1	1	1
Nut - - - - -	137398	2	2	2	2	2	2	2	2	2	2	2	2
Elbow - - - - -	1263882	1	1	..	..	..	..	1	1	..	..	..	..
Hose assy. - fuel filter to fuel pump - dash mounted - - - - -	1188258	2	2	..	..	..	..	2	2	..	..	..	..
Elbow - - - - -	143343	1	1	..	..	..	..	1	1	..	..	..	..
Clip - - - - -	1263079	1	1	..	..	..	..	1	1	..	..	..	..
Clip - - - - -	71411	..	..	..	1	1	1	..	..	1	1	1	1
<b>GROUP 14-G FUEL GAUGE</b>													
<b>Fuel Gauge</b>													
Assy. - panel unit flat face cowl - - - - -	1272353	1	1	1	1	1	1	1	1	1	1	1	1
Assy. - panel unit except flat face - - - - -	1271228	1	1	1	1	1	1	1	1	1	1	1	1
Nut - terminal - - - - -	120614	3	3	3	3	3	3	3	3	3	3	3	3
Lockwasher - - - - -	138479	3	3	3	3	3	3	3	3	3	3	3	3
Assy. - tank unit - inside mounted - - - - -	1260734	1	1	1	1	1	1	..	..	1	1	1	1
Assy. - tank unit - inside mounted - - - - -	1392011	..	..	..	..	..	..	1	1	..	..	..	..
Seal - - - - -	1138371	1	1	1	1	1	1	1	1	1	1	1	1
Screw - terminal - - - - -	121832	1	1	1	1	1	1	1	1	1	1	1	1
Lockwasher - - - - -	138530	1	1	1	1	1	1	1	1	1	1	1	1
Retainer - - - - -	1136747	1	1	1	1	1	1	1	1	1	1	1	1
Assy. - tank unit - outside mounted 15 imp. gals. - - - - -	1269120	..	..	1	1	1	1	..	..	1	1	1	1
Assy. - tank unit - outside mounted 25 imp. gals. - - - - -	1269119	..	..	..	1	..	1	..	..	..	..	..	..
Gasket - - - - -	55985	..	..	1	1	1	1	..	..	1	1	1	1
Screw - mounting - - - - -	599677	..	..	5	5	5	5	..	..	5	5	5	5
Lockwasher - - - - -	312941	..	..	5	5	5	5	..	..	5	5	5	5
Assy. - left tank unit - dual installation - 21 imp. gals. - - - - -	1269121	..	..	..	1	1	1	..	..	1	1	1	1
Assy. - right - tank unit - dual installation - 21 imp. gals. - - - - -	1269118	..	..	..	1	1	1	..	..	1	1	1	1
Screw - terminal - - - - -	121832	..	..	..	1	1	1	..	..	1	1	1	1
Lockwasher - - - - -	138530	..	..	..	1	1	1	..	..	1	1	1	1
Switch assy. - double throw - outside mounted - - - - -	923363	..	..	..	1	1	1	..	..	1	1	1	1
Resistor assy. - 12 volt - - - - -	921257	..	..	..	..	..	1	..	..	..	..	1	1
<b>GROUP 14-H FUEL PUMP - FUEL PUMP HEAT SHIELD</b>													
<b>Fuel Pump Auto Pulse</b>													
Package - - - - -	1113103	1	1	1	1	1	1	1	1	1	1	1	1
Bracket - - - - -	1270088	1	1	..	..	..	..	1	1	..	..	..	..

Indicates amount used as required.

† Indicates parts included in packages.



**GROUP 14 - FUEL**

PART NAME	PART NO.	MODEL CODES											
		DG AND FO					DH AND FP						
		1	2	3	4	5	6	1	2	4	5	6	7
<b>GROUP 14-H FUEL PUMP - FUEL PUMP HEAT SHIELD (CONT'D)</b>													
<b>Fuel Pump - Auto Pulse (cont'd)</b>													
Screw - mounting - - - - -	121900	2	2	2	2	2	2	2	2	2	2	2	2
Lockwasher - - - - -	120380	2	2	2	2	2	2	2	2	2	2	2	2
Nut - term - - - - -	120622	1	1	1	1	1	1	1	1	1	1	1	1
Lockwasher - - - - -	138530	1	1	1	1	1	1	1	1	1	1	1	1
Nipple - inlet - - - - -	137406	1	1	..	..	..	..	1	1	..	..	..	..
Elbow - inlet - - - - -	137422	..	..	1	1	1	1	..	..	1	1	1	1
Elbow - outlet - - - - -	137422	1	1	1	1	1	1	1	1	1	1	1	1
Cable - 80" long - - - - -	385573	*	*	*	*	*	*	*	*	*	*	*	*
Sleeve - - - - -	926026	2	2	2	2	2	2	2	2	2	2	2	2
Terminal - - - - -	200393	2	2	2	2	2	2	2	2	2	2	2	2
Tube assy. - fuel pump to fuel tank - 10½" long - - - - -	861811	1	1	..	..	..	..	1	1	..	..	..	..
Tube assy. - fuel pump to fuel tank - 12" long - - - - -	861814	..	..	1	1	1	1	..	..	1	1	1	1
Tube assy. - fuel pump to aux. fuel pump - 90" long exc. bus - - - - -	861942	..	..	1	1	1	1	..	..	1	1	1	1
Tube assy. - fuel pump to aux. fuel pump - 78" long - bus - - - - -	861940	..	..	1	1	1	1	..	..	1	1	1	1
Tube assy. - fuel pump to fuel tank - 22" long - except bus - outside mounted tank and std. tank - - - - -	861830	..	..	1	1	1	1	..	..	1	1	1	1
<b>Fuel Pump</b>													
Assy. - standard - - - - -	1316530	1	1	1	1	1	1	1	1	1	1	1	1
Gasket - - - - -	1324919	1	1	1	1	1	1	1	1	1	1	1	1
Assy. - vacuum booster type - - - - -	1312586	1	..	..	..	..	..	1	..	..	..	..	..
Gasket - - - - -	688481	1	..	..	..	..	..	1	..	..	..	..	..
Screw - attaching - - - - -	122027	2	2	2	2	2	2	2	2	2	2	2	2
Lockwasher - - - - -	120214	2	2	2	2	2	2	2	2	2	2	2	2
Nipple - inlet and outlet - - - - -	137406	2	2	2	2	2	2	2	2	2	2	2	2
<b>Fuel Pump Heat Shield</b>													
Shield - L.H.D. - - - - -	1316587	1	1	..	..	..	..	1	1	..	..	..	..
Shield assy. - R.H.D. - - - - -	1268507	1	1	..	..	..	..	1	1	..	..	..	..
Shield - - - - -	1316587	..	..	1	1	1	1	..	..	1	1	1	1
Shield - for 1312586 fuel pump - - - - -	1313008	1	..	..	..	..	..	1	..	..	..	..	..
Stud - attaching - - - - -	608138	1	1	1	1	1	1	1	1	1	1	1	1
Nut - - - - -	110330	1	1	1	1	1	1	1	1	1	1	1	1
Lockwasher - - - - -	120217	1	1	1	1	1	1	1	1	1	1	1	1
<b>FUEL PUMP COMPONENT PARTS</b>							<b>QTY.</b>	<b>1316530</b>		<b>1312586</b>			
<b>Body</b>								<b>Assy.</b>		<b>Assy.</b>			
Assy. - fuel section - - - - -							1	1400900		699817			
Curled hair - 2 oz. - - - - -							1	---		699779			
Retainer - - - - -							1	---		699819			
Oil seal - - - - -							1	1400893		699795			
Gasket - - - - -							1	1400894		699793			
<b>Cover</b>													
Assy. - fuel section - - - - -							1	---		699813			
Assy. - top - - - - -							1	1400899					
Screw - - - - -							*	131121		131121			
Lockwasher - - - - -							*	120217		120217			
Cover bottom - fuel section - - - - -							1	---		699813			
<b>Cover Plate</b>													
Plate - - - - -							1	---		1316738			
Screw - - - - -							1	---		123325			
Gasket - screw - - - - -							1	---		674311			
Gasket - - - - -							1	---		699823			
<b>Diaphragm</b>													
Assy. - fuel section - - - - -							1	1400898		1316735			
Spring - - - - -							1	1404593		699796			
Retainer - - - - -							1	1314517		699808			

Indicates amount used as required.

† Indicates parts included in packages.

**GROUP 14 - FUEL**

14-10

FUEL PUMP COMPONENT PARTS - (CONT'D)	QTY.	1316530 Assy.	1312586 Assy.
<b>Diaphragm - (Cont'd)</b>			
Oil seal assy. - fuel section	1	---	699795
Gasket	1	---	699793
Oil seal retainer upper - vac. section	1	---	699802
Oil seal retainer lower - vac. section	1	---	699804
Spring - lower - vac. section	1	---	699803
Spring seat - vac. section	1	---	699827
Spring - upper - vac. section	1	---	1316739
Diaphragm and pull rod assy. - vac. section	1	---	1316736
<b>Rocker Arm</b>			
Arm	1	1400890	689569
Link - fuel section	1	1400892	699788
Washer	1	---	699792
Pin	1	1400891	639130
Bushing	1	---	699807
Washer	1	1314534	1314534
Spring	1	1400895	639136
Link - right - vac. section	1	---	699789
Link - left - vac. section	1	---	699790
<b>Strainer</b>			
Bail and screw assy.	1	1400897	689506
Bowl	1	1314543	---
Gasket	1	1316026	1141776
Screen - fuel section	1	1322717	863487
Screen - vac. section	1	---	699824
Retainer - vac. section	1	---	699825
Bowl and gasket package	1	---	1141775
<b>Valve</b>			
Assy.	4	---	689505
Gasket	4	---	689501
Plate or retainer	1	1314530	1314530
Screw	1	1400889	---

PART NAME	PART NO.	MODEL CODES										
		DG AND FO					DH AND FP					
		1	2	3	4	5	6	1	2	4	5	6
<b>GROUP 14-I FUEL TANK</b>												
<b>Fuel Tank</b>												
Assy. - panel	1269965	1	..	..	..	..	..	..	..	..	..	..
Assy. - panel	1501552	..	..	..	..	..	..	1	..	..	..	..
Assy. - except panel	1501550	..	..	..	..	..	..	1	1	..	..	..
Assy. - cab and express	1269963	1	1	1	1	1	1	..	..	..	..	..
Assy. - cab	1269963	..	..	..	..	..	..	..	1	1	1	1
Assy. - chassis and cowl	1269961	1	1	1	1	1	1	..	..	..	..	..
Assy. - chassis and cowl	1269961	..	..	..	..	..	..	..	..	1	1	1
Assy. - outside mtd. - left side - 15 imp. gals. - with prod. tank	1273903	..	..	1	1	1	1	..	..	1	1	1
Assy. - outside mounted - 25 imp. gals. - less prod. tank	1273899	..	..	..	1	..	1	..	..	..	..	..
Assy. - right - dual outside mounted - 21 imp. gals.	1273884	..	..	..	1	..	1	..	..	1	..	1
Assy. - left - dual outside mounted - 21 imp. gals.	1273885	..	..	..	1	..	1	..	..	1	..	1
Bushing - drain plug	428891	..	..	1	1	1	1	..	..	1	1	1
Drain plug - with 1269965 - 1269963 - 1269961 assys.	1122359	1	1	1	1	1	1	..	..	1	1	1
Drain plug - with 1273903 assy.	113176	..	..	1	1	1	1	..	..	1	1	1
Drain plug - with 1273899 assy.	1090343	..	..	..	1	..	1	..	..	..	..	..
Drain plug - with 1273884 - 1273885 assys	113175	..	..	..	1	..	1	..	..	1	..	1
Washer - flange - outlet pipe	543530	..	..	..	*	..	*	..	..	*	..	*
Drain plug	127951	..	..	..	..	..	..	1	1	..	..	..
Elbow - outlet pipe	1263882	..	..	..	..	..	..	1	1	..	..	..

Indicates amount used as required.

† Indicates parts included in packages.

**GROUP 14 - FUEL**

PART NAME	PART NO.	MODEL CODES										
		DG AND FO					DH AND FP					
		1	2	3	4	5	6	1	2	4	5	6
<b>GROUP 14-I FUEL TANK (CONT'D)</b>												
<b>Fuel Tank Filler Tube</b>												
Assy. - panel - upper	1269976	1	..	..	..	..	..	..	..	..	..	..
Assy. - panel	1500763	..	..	..	..	..	..	1	..	..	..	..
Tube	1263871	1	1	1	1	1	1	1	1	1	1	1
Tube - with 25 imp. gal. tank	913754	..	..	..	1	..	1	..	..	..	..	..
Hose - 3 ft. length	780182	*	*	*	*	*	*	*	*	*	*	*
Clamp	870469	2	2	2	2	2	2	2	2	2	2	2
<b>Fuel Tank Filler Cap</b>												
Assy. -	547645	1	1	1	1	1	1	1	1	1	1	1
Gasket	556514	1	1	1	1	1	1	1	1	1	1	1
Assy. - lock and key type	1117771	1	1	1	1	1	1	1	1	1	1	1
<b>Fuel Tank Heat Shield - School Bus</b>												
Heat shield	1190594	..	..	..	1	..	1	..	..	..	..	..
Bolt - to frame	123461	..	..	..	3	..	3	..	..	..	..	..
Nut	120367	..	..	..	3	..	3	..	..	..	..	..
Plainwasher	120383	..	..	..	3	..	3	..	..	..	..	..
Lockwasher	120380	..	..	..	3	..	3	..	..	..	..	..
<b>Fuel Tank Bracket</b>												
Bracket	1269979	1	..	..	..	..	..	..	..	..	..	..
Bracket - 116" W.B.	589571	..	1	..	..	..	..	..	..	..	..	..
Bracket - 126" W.B.	1269979	..	1	..	..	..	..	..	..	..	..	..
Bracket - front - note 3	1195629	..	..	1	1	1	1	..	..	..	..	..
Bracket - front - note 4	1394321	..	..	1	1	1	1	..	..	1	1	1
Bracket - rear - note 3	1195630	..	..	1	1	1	..	..	..	..	..	..
Bracket - rear - note 4	1394322	..	..	1	1	1	..	..	..	1	1	..
Bracket - rear - 128" W.B. note 3	1195630	..	..	..	..	..	1	..	..	..	..	..
Bracket - rear - 128" W.B. note 4	1394322	..	..	..	..	..	1	..	..	..	1	1
Bracket - rear - except 128" W.B. note 4	1394320	..	..	..	..	..	1	..	..	..	1	1
Bolt - short - tank to brkt.	120647	2	2	2	2	2	2	..	..	2	2	2
Bolt - long - tank to brkt. - note 3	120640	2	2	2	2	2	2	..	..	..	..	..
Bolt - long - tank to brkt. - note 4	120678	2	2	2	2	2	2	..	..	2	2	2
Nut	120369	4	4	4	4	4	4	..	..	4	4	4
Plainwasher	120394	4	4	4	4	4	4	..	..	4	4	4
Lockwasher	120382	4	4	4	4	4	4	..	..	4	4	4
Spring - note 3	590032	2	2	2	2	2	2	..	..	..	..	..
Spring - note 4	1394326	2	2	2	2	2	2	2	2	2	2	2
Spacer - note 3	590034	2	2	2	2	2	2	..	..	..	..	..
Spacer - note 4	871918	2	2	2	2	2	2	2	2	2	2	2
Bolt - to frame	120647	*	*	*	*	*	..	*	*	*	*	..
Bolt - to frame	121615	..	..	..	..	..	*	..	..	..	*	*
Nut	120369	*	*	*	*	*	*	*	*	*	*	*
Lockwasher	120382	*	*	*	*	*	*	*	*	*	*	*
Bolt - front - to frame X-member	120678	..	..	..	..	..	..	*	*	..	..	..
Bolt - rear - to frame X-member	123520	..	..	..	..	..	..	*	*	..	..	..
Nut	120369	..	..	..	..	..	..	*	*	..	..	..
Lockwasher	120382	..	..	..	..	..	..	*	*	..	..	..
Plainwasher	120394	..	..	..	..	..	..	*	*	..	..	..
<b>Fuel Tank Support - Outside Mounted</b>												
Support	557654	..	..	2	2	2	2	..	..	2	2	2
Support - dual mounted tanks	1260550	..	..	..	2	..	2	..	..	2	..	2
Lining	554727	..	..	2	2	2	2	..	..	2	2	2
Bolt	121661	..	..	*	*	*	*	..	..	*	*	*
Nut	120368	..	..	*	*	*	*	..	..	*	*	*
Lockwasher	120214	..	..	*	*	*	*	..	..	*	*	*
Extension - 25 imp. gals.	1190626	..	..	..	4	..	4	..	..	..	..	..
Rivet	104282	..	..	..	2	..	2	..	..	..	..	..
Reinforcement - 25. imp. gals.	1190627	..	..	..	2	..	2	..	..	..	..	..
Rivet	103487	..	..	..	4	..	4	..	..	..	..	..
Bolt	121615	..	..	..	7	..	7	..	..	..	..	..
Nut	120369	..	..	..	4	..	4	..	..	..	..	..
Lockwasher	120382	..	..	..	4	..	4	..	..	..	..	..
<b>Fuel Tank Strap - Outside Mounted</b>												
Assy. - 15 imp. gals.	589018	..	..	2	2	2	2	..	..	2	2	2

Indicates amount used as required.

† Indicates parts included in packages.

PART NAME	PART NO.	MODEL CODES											
		DG AND FO					DH AND FP						
		1	2	3	4	5	6	1	2	4	5	6	7
<b>GROUP 14-I FUEL TANK (CONT'D)</b>													
<b>Fuel Tank Strap - Outside Mounted (cont'd)</b>													
Bolt - - - - -	123572	..	..	2	2	2	2	..	..	2	2	2	2
Nut - - - - -	120370	..	..	2	2	2	2	..	..	2	2	2	2
Lockwasher - - - - -	120383	..	..	2	2	2	2	..	..	2	2	2	2
Assy. - 25 imp. gals. - - - - -	1267146	..	..	..	2	..	2	..	..	..	..	..	..
Nut - strap end - - - - -	120369	..	..	..	8	..	8	..	..	..	..	..	..
Lockwasher - - - - -	120382	..	..	..	4	..	4	..	..	..	..	..	..
Bolt - to frame - - - - -	120919	..	..	..	2	..	2	..	..	..	..	..	..
Nut - - - - -	120370	..	..	..	2	..	2	..	..	..	..	..	..
Lockwasher - - - - -	120383	..	..	..	2	..	2	..	..	..	..	..	..
Assy. - dual mounted tanks - - - - -	588627	..	..	..	4	..	4	..	..	4	..	4	..
Bolt - - - - -	123841	..	..	..	4	..	4	..	..	4	..	4	..
Nut - - - - -	120370	..	..	..	4	..	4	..	..	4	..	4	..
Lockwasher - - - - -	120383	..	..	..	4	..	4	..	..	4	..	4	..
Nut - strap end - - - - -	120369	..	..	..	4	..	4	..	..	4	..	4	..
Lockwasher - - - - -	120382	..	..	..	4	..	4	..	..	4	..	4	..
<b>Fuel Tank Shut off Tee - Outside Mounted</b>													
Tee - 15 imp. gal. tank - - - - -	924969	..	..	1	1	1	1	..	..	1	1	1	1
Nipple - - - - -	137422	..	..	1	1	1	1	..	..	1	1	1	1
Bracket - mounting - - - - -	1273790	..	..	1	1	1	1	..	..	1	1	1	1
Bolt - - - - -	123461	..	..	4	4	4	4	..	..	4	4	4	4
Nut - - - - -	120367	..	..	4	4	4	4	..	..	4	4	4	4
Lockwasher - - - - -	120380	..	..	4	4	4	4	..	..	4	4	4	4
Tee - dual mounted tanks - - - - -	584659	..	..	..	1	..	1	..	..	1	..	1	..
Nipple - - - - -	137406	..	..	..	1	..	1	..	..	1	..	1	..
Bracket - mounting - - - - -	1268859	..	..	..	1	..	1	..	..	1	..	1	..
Bolt - - - - -	123499	..	..	..	2	..	2	..	..	2	..	2	..
Nut - - - - -	120368	..	..	..	2	..	2	..	..	2	..	2	..
Lockwasher - - - - -	120214	..	..	..	2	..	2	..	..	2	..	2	..
<b>GROUP 14-J FUEL TUBES</b>													
<b>Auxiliary Fuel Tank to Shut off Tee Tube</b>													
Assy. - 60" long with 15 imp. gal. outside mounted tank - - - - -	861845	..	..	1	1	1	1	..	..	1	1	1	1
Assy. - 11½" long with 25 imp. gal. outside mounted tank - - - - -	861813	..	..	..	1	..	1	..	..	..	..	..	..
Nut - - - - -	137398	..	..	2	2	2	2	..	..	2	2	2	2
<b>Main Fuel Tank to Shut off Tee Tube</b>													
Assy. - 14½" long with 15 imp. gal. outside mounted tank - - - - -	861819	..	..	1	1	1	1	..	..	1	1	1	1
Assy. - 72" long with 25 imp. gal. outside mounted tank - - - - -	861939	..	..	..	1	..	1	..	..	..	..	..	..
Nut - - - - -	137398	..	..	2	2	2	2	..	..	2	2	2	2
<b>Fuel Tank Shut off Tee To Fuel Pump Tube</b>													
Assy. - 120" long - with 15 imp. gal. outside mounted tank - - - - -	861854	..	..	1	1	1	1	..	..	1	1	1	1
Assy. - 96" long - with 25 imp. gal. outside mounted tank - - - - -	861943	..	..	..	1	..	1	..	..	..	..	..	..
Nut - - - - -	137398	..	..	2	2	2	2	..	..	2	2	2	2
<b>Fuel Tank to Fuel Pump Tube</b>													
Assy. - 104" long - - - - -	861852	1	1	..	..	..	..	..	..	..	..	..	..
Assy. - 130" long - - - - -	861855	..	..	..	..	..	..	1	1	..	..	..	..
Assy. - 112" long - - - - -	861853	..	..	1	1	1	1	..	..	1	1	1	1
Assy. - 90" long - 25 imp. gal. tank - - - - -	861942	..	..	..	1	..	1	..	..	..	..	..	..
Nut - - - - -	137398	2	2	2	2	2	2	2	2	2	2	2	2
Clip - - - - -	1263079	..	..	*	*	*	*	..	..	*	*	*	*
Clip - 861942 tube assy. - - - - -	581523	..	..	..	*	*	*	..	..	..	..	..	..
Bolt - - - - -	123461	..	..	*	*	*	*	..	..	*	*	*	*
Nut - - - - -	120367	..	..	*	*	*	*	..	..	*	*	*	*
Lockwasher - - - - -	120380	..	..	*	*	*	*	..	..	*	*	*	*

Indicates amount used as required.

† Indicates parts included in package

