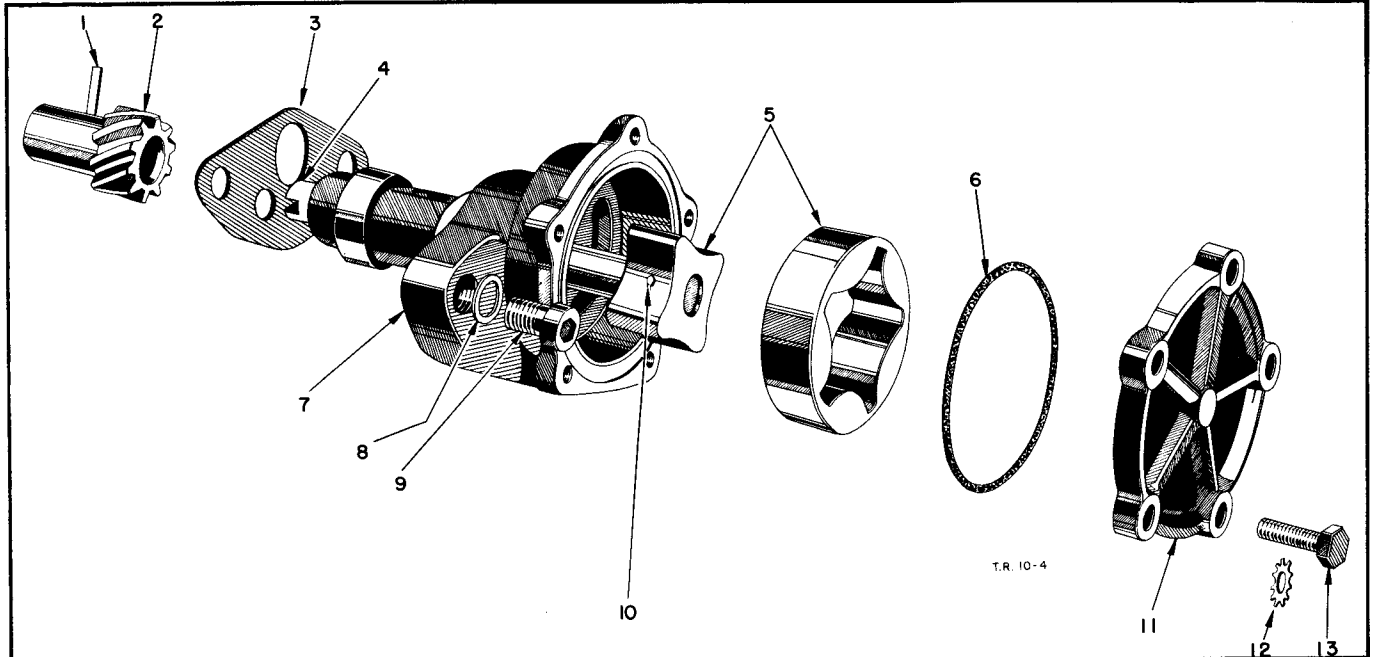


OIL PUMP

Plate 32

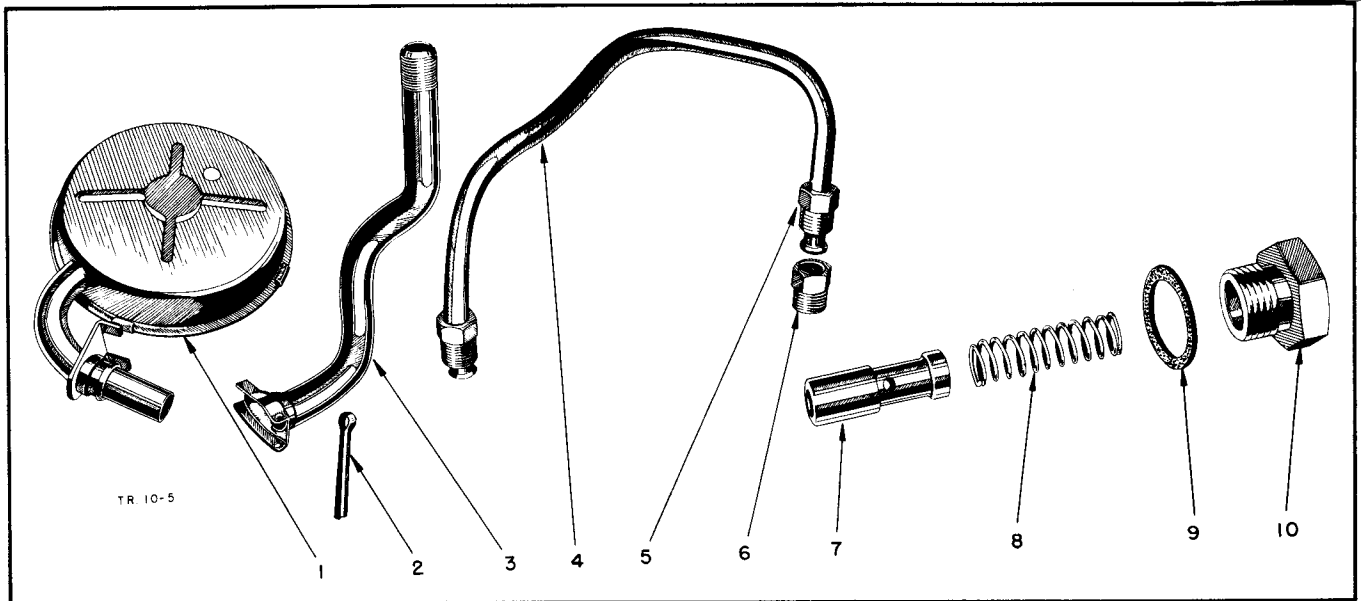


Ref. No.	Part Name	Group
1	Oil pump gear pin.....	10-D
2	Oil pump drive gear.....	10-D
3	Oil pump gasket.....	10-D
4	Oil pump shaft (serv. in pkg.).....	10-D
5	Oil pump rotor (serv. in pkg.).....	10-D
6	Cover gasket.....	10-D
7	Oil pump body.....	10-D

Ref. No.	Part Name	Group
8	Oil pump screw lockwasher.....	10-D
9	Oil pump screw.....	10-D
10	Oil pump rotor pin.....	10-D
11	Oil pump cover.....	10-D
12	Cover screw lockwasher.....	10-D
13	Cover screw.....	10-D

OIL STRAINER AND RELIEF VALVE

Plate 33



Ref. No.	Part Name	Group
1	Oil strainer.....	10-E
2	Oil strainer pin.....	10-E
3	Oil pump suction pipe.....	10-E
4	Pump outlet pipe.....	10-D
5	Outlet pipe nut.....	10-D

Ref. No.	Part Name	Group
6	Outlet pipe nut.....	10-D
7	Relief valve.....	10-E
8	Relief valve spring.....	10-E
9	Relief valve cap gasket.....	10-E
10	Relief valve cap.....	10-E

GROUP 10-ENGINE OILING

Note: - Parts referred to "Note 1" were used up to and including:
 Parts referred to "Note 2" were used after following Engine Serial Nos. :

T 307 - 12139 C

T 311 - 5284 C

PART NAME	PART NO.	MODEL CODES											
		DG AND FO					DH AND FP						
		1	2	3	4	5	6	1	2	4	5	6	7
GROUP 10-A BREATHER PIPE OR OIL FILLER													
Breather Pipe or Oil Filler													
Pipe (Note 1) - with 1257392 Generator - -	1311758	1	1	1	1	1	1	1	1	1	1
Pipe (Note 2) - with 1257392 Generator - -	1407936	1	1	1	1
Pipe - except 1257392 Generator- - - - -	1484020	1	1	1	1	1	1	1	1	1	1	1	1
Bracket - except 1407936 pipe - - - - -	1311760	1	1	1	1	1	1	1	1	1	1	1	1
Bolt - - - - -	123473	1	1	1	1	1	1
Nut- - - - -	120368	1	1	1	1	1	1
Lockwasher - - - - -	120214	1	1	1	1	1	1
Screen- - - - -	871851	1	1	1	1	1	1
Breather Pipe Air Cleaner													
Assembly - - - - -	1329351	1	1	1	1	1	1	1	1	1	1	1	1
Crankcase Ventilator Air Cleaner (Export)													
Assembly - - - - -	1315669	1	1	1	1	1	1	1	1	1	1	1	..
Outlet pipe (Used with air cleaner) - -	1267857	1	1	1	1	1	1	1	1	1	1	1	..
Screw- - - - -	100130	1	1	1	1	1	1	1	1	1	1	1	..
Plainwasher- - - - -	120387	1	1	1	1	1	1	1	1	1	1	1	..
Crankcase Ventilator Outlet Pipe													
Assembly - - - - -	647371	1	1	1	1	1	1	1	1	1	1	1	..
Assembly - - - - -	1502519	1
Bolt- - - - -	173063	1	1	1	1	1	1	1	1	1	1	1	1
Lockwasher - - - - -	120214	1	1	1	1	1	1	1	1	1	1	1	1
Gasket - - - - -	† 301034	1	1	1	1	1	1	1	1	1	1	1	1
Crankcase Ventilator (sealed type) - Positive													
Assembly - vent metering valve - - - - -	1311774	1	1	1	1	1	1	1	1	1	1	1	1
Tee - metering valve to manifold- - - -	120498	1	1	1	1
Nipple - metering valve to bushing - -	120497	1	1	1	1
Bushing - reducing-metering valve to manifold - - - - -	119931	1	1	1	1
Assembly - vent tube - - - - -	1104210	1	1	1	1
Assembly - vent tube - - - - -	1106362	1	1	1	1	1	1	1	1
Connector - - - - -	145476	2	2	1	1	1	1	2	2	1	1	1	1
Elbow - - - - -	137423	1	1	1	1	1	1	1	1
Fitting - tube to cylinder block- - - -	928410	1	1	1	1	1	1	1	1	1	1	1	1
Screw- - - - -	126078	1	1	1	1	1	1	1	1	1	1	1	1
Lockwasher - - - - -	120214	1	1	1	1	1	1	1	1	1	1	1	1
Gasket - - - - -	301034	1	1	1	1	1	1	1	1	1	1	1	1
Bushing-reducing W/S wiper to manifold tube	119930	1	1	1	1
Assembly - breather pipe - - - - -	928746	1	1	1	1	1	1	1	1	1	1	1	1
Assembly - breather pipe bracket - - - -	928838	1	1	1	1	1	1	1	1	1	1	1	1
Bolt- - - - -	121661	1	1	1	1	1	1	1	1	1	1	1	1
Nut- - - - -	120368	1	1	1	1	1	1	1	1	1	1	1	1
Lockwasher - - - - -	120214	1	1	1	1	1	1	1	1	1	1	1	1
Plainwasher- - - - -	120387	1	1	1	1	1	1	1	1	1	1	1	1
Plug-breather pipe- - - - -	143932	1	1	1	1	1	1	1	1	1	1	1	1
Screw - bracket to cylinder head- - - -	123382	1	1	1	1	1	1	1	1	1	1	1	1
Plainwasher- - - - -	120394	1	1	1	1	1	1	1	1	1	1	1	1
Lockwasher - - - - -	138489	1	1	1	1	1	1	1	1	1	1	1	1
Assembly - breather pipe air cleaner - - -	928745	1	1	1	1	1	1	1	1	1	1	1	1
Gasket- - - - -	928057	1	1	1	1	1	1	1	1	1	1	1	1
Screw - - - - -	120228	2	2	2	2	2	2	2	2	2	2	2	2
Lockwasher - - - - -	120214	2	2	2	2	2	2	2	2	2	2	2	2

Indicates amount used as required.

† Indicates parts included in packages..

GROUP 10-ENGINE OILING

PART NAME	PART NO.	MODEL CODES											
		DG AND FO						DH AND FP					
		1	2	3	4	5	6	1	2	4	5	6	7
GROUP 10-A BREATHER PIPE OR OIL FILLER (Cont'd)													
Crankcase Ventilator (sealed type) Positive (Cont'd)													
Cylinder Head screw- - - - -	692857	1	1	1	1	1	1	1	1	1	1	1	1
Tee - brake booster manifold to check valve	1268584	1	1	1	1	1	1	1	1
Plug - Exc. 2 - speed Axle- - - - -	1260718	1	1	1	1	1	1	1	1
GROUP 10-B OIL GAUGE AND TUBES													
Oil Gauge													
Assembly - Exc. F/F cowl - - - - -	1271231	1	1	1	1	1	1	1	1	1	1	1	1
Assembly - F/F cowl- - - - -	1272352	1	1	1	1	1	1	1	1	1	1	1	1
Oil Gauge Tube													
Assembly - upper L.H.D.- - - - -	861523	1	1	1	1	1	1	1	1	1	1	1	1
Assembly - upper R.H.D.- - - - -	861525	1	1	1	1	1	1	1	1	1	1	1	..
Assembly - lower - - - - -	861545	1	1	1	1	1	1	1	1	1	1	1	1
Nut assembly- - - - -	1319043	1	1	1	1	1	1	1	1	1	1	1	1
Nut - - - - -	137396	3	3	3	3	3	3	3	3	3	3	3	3
Hose - flexible- - - - -	655498	1	1	1	1	1	1	1	1	1	1	1	1
GROUP 10-C OIL FILTER AND TUBES													
Oil Filter													
Assembly - sealed type - - - - -	861028	1	1	1	1	1
Assembly - replaceable type- - - - -	1324428	1	1	1	1	1	1	1	1	1	1	1	1
Cartridge assembly- - - - -	1121694	1	1	1	1	1	1	1	1	1	1	1	1
Cover Assembly- - - - -	1325816	1	1	1	1	1	1	1	1	1	1	1	1
Gasket - - - - -	852750	1	1	1	1	1	1	1	1	1	1	1	1
Bracket - - - - -	1322247	1	1	1	1	1	..	1	1	1	1
Clamp - bracket - - - - -	1320519	2	2	2	2	2	2	2	2	2	2	2	2
Bolt - - - - -	133053	1	1	1	1	1	1	1	1	1	1	1	1
Nut- - - - -	120375	1	1	1	1	1	1	1	1	1	1	1	1
Lockwasher - - - - -	120380	1	1	1	1	1	1	1	1	1	1	1	1
Screw - attaching - - - - -	122119	2	2	2	2	2	2	2	2	2	2	2	2
Plainwasher- - - - -	120394	2	2	2	2	2	2	2	2	2	2	2	2
Lockwasher - - - - -	120382	2	2	2	2	2	2	2	2	2	2	2	2
Oil Filter Tube													
Assembly - oil filter to engine tube - - - -	861539	1	1	1	1	1	1	1	1	1	1	1	1
Assembly - engine to oil filter tube - with 861028 assembly - - - - -	861543	1	1	1	1	1
Assembly - engine to oil filter tube - with 1324428 assembly- - - - -	861539	1	1	1	1	1	1	1	1	1	1	1	1
Nipple - oil filter to engine tube- - - -	431537	1	1	1	1	1	1	1	1	1	1	1	1
Elbow - oil filter to engine tube - - - -	127829	1	1	1	1	1	1	1	1	1	1	1	1
Elbow - engine to oil filter tube - - - -	137420	1	1	1	1	1	1	1	1	1	1	1	1
Elbow - engine to oil filter and gauge tube- - - - -	694914	1	1	1	1	1	1	1	1	1	1	1	1
Nut - - - - -	137396	4	4	4	4	4	4	4	4	4	4	4	4
GROUP 10-D OIL PUMP AND OUTLET PIPE													
Oil Pump													
Assembly - - - - -	1314610	1	1	1	1	1	1	1	1	1	1	1	1
Gasket- - - - -	† 695442	1	1	1	1	1	1	1	1	1	1	1	1
Screw- - - - -	175221	2	2	2	2	2	2	2	2	2	2	2	2
Lockwasher- - - - -	120382	2	2	2	2	2	2	2	2	2	2	2	2

Indicates amount used as required.

† Indicates parts included in packages.

GROUP 10-ENGINE OILING

PART NAME	PART NO.	MODEL CODES										
		DG AND FO					DH AND FP					
		1	2	3	4	5	6	1	2	4	5	6
GROUP 10-D OIL PUMP AND OUTLET PIPE (Cont'd)												
Oil Pump (Cont'd)												
Body - - - - -	1314611	1	1	1	1	1	1	1	1	1	1	1
Cover - - - - -	863723	1	1	1	1	1	1	1	1	1	1	1
Gasket - - - - -	†1124984	1	1	1	1	1	1	1	1	1	1	1
Bolt - - - - -	864148	5	5	5	5	5	5	5	5	5	5	5
Gear - pump and distributor drive- - - - -	601268	1	1	1	1	1	1	1	1	1	1	1
Pin - - - - -	112032	1	1	1	1	1	1	1	1	1	1	1
Oil Pump Shaft and Rotor Package												
Package- - - - -	1316143	1	1	1	1	1	1	1	1	1	1	1
Pin - rotor - - - - -	867386	1	1	1	1	1	1	1	1	1	1	1
Oil Pump Outlet Pipe												
Assembly - - - - -	665806	1	1	1	1	1	1	1	1	1	1	1
Nut - - - - -	137400	2	2	2	2	2	2	2	2	2	2	2
Nipple- - - - -	671152	2	2	2	2	2	2	2	2	2	2	2
GROUP 10-E OIL PRESSURE RELIEF VALVE AND OIL STRAINER												
Oil Pressure Relief Valve												
Plunger- - - - -	1142998	1	1	1	1	1	1	1	1	1	1	1
Cap - - - - -	618621	1	1	1	1	1	1	1	1	1	1	1
Gasket- - - - -	† 618622	1	1	1	1	1	1	1	1	1	1	1
Spring- - - - -	1119994	1	1	1	1	1	1	1	1	1	1	1
Spring - light- - - - -	1119995	1	1	1	1	1	1	1	1	1	1	1
Spring - heavy- - - - -	1119996	1	1	1	1	1	1	1	1	1	1	1
Oil Strainer												
Assembly - - - - -	862831	1	1	1	1	1	1	1	1	1	1	1
Cotter Pin- - - - -	119209	1	1	1	1	1	1	1	1	1	1	1
Suction pipe assembly- - - - -	1125417	1	1	1	1	1	1	1	1	1	1	1
GROUP 10-F OIL PAN AND LEVEL INDICATOR												
Oil Pan												
Assembly - - - - -	1400203	1	1	1	1	1	1	1	1	1	1	1
Gasket - right- - - - -	† 665802	1	1	1	1	1	1	1	1	1	1	1
Gasket - left - - - - -	†1138886	1	1	1	1	1	1	1	1	1	1	1
Gasket - front and rear - - - - -	† 866680	2	2	2	2	2	2	2	2	2	2	2
Screw - attaching- - - - -	122007	20	20	20	20	20	20	20	20	20	20	20
Lockwasher - - - - -	138486	20	20	20	20	20	20	20	20	20	20	20
Drain plug- - - - -	50722	1	1	1	1	1	1	1	1	1	1	1
Gasket - - - - -	† 105456	1	1	1	1	1	1	1	1	1	1	1
Oil Pan Gasket Package												
Package- - - - -	1243628	1	1	1	1	1	1	1	1	1	1	1
Oil Pan Front End Oil Seal Plate Package												
Package- - - - -	1115100	1	1	1	1	1	1	1	1	1	1	1
Seal- - - - -	† 1066873	2	2	2	2	2	2	2	2	2	2	2
Screw - - - - -	132268	2	2	2	2	2	2	2	2	2	2	2
Lockwasher - - - - -	121753	2	2	2	2	2	2	2	2	2	2	2
Screw - - - - -	122007	1	1	1	1	1	1	1	1	1	1	1
Oil Lever Indicator												
Assembly - - - - -	1140616	1	1	1	1	1	1	1	1	1	1	1
Tube- - - - -	1125412	1	1	1	1	1	1	1	1	1	1	1

Indicates amount used as required.

† Indicates parts included in packages.